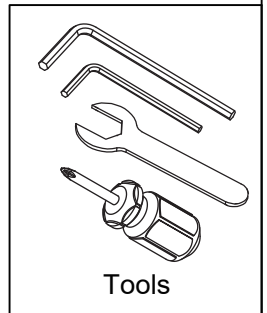
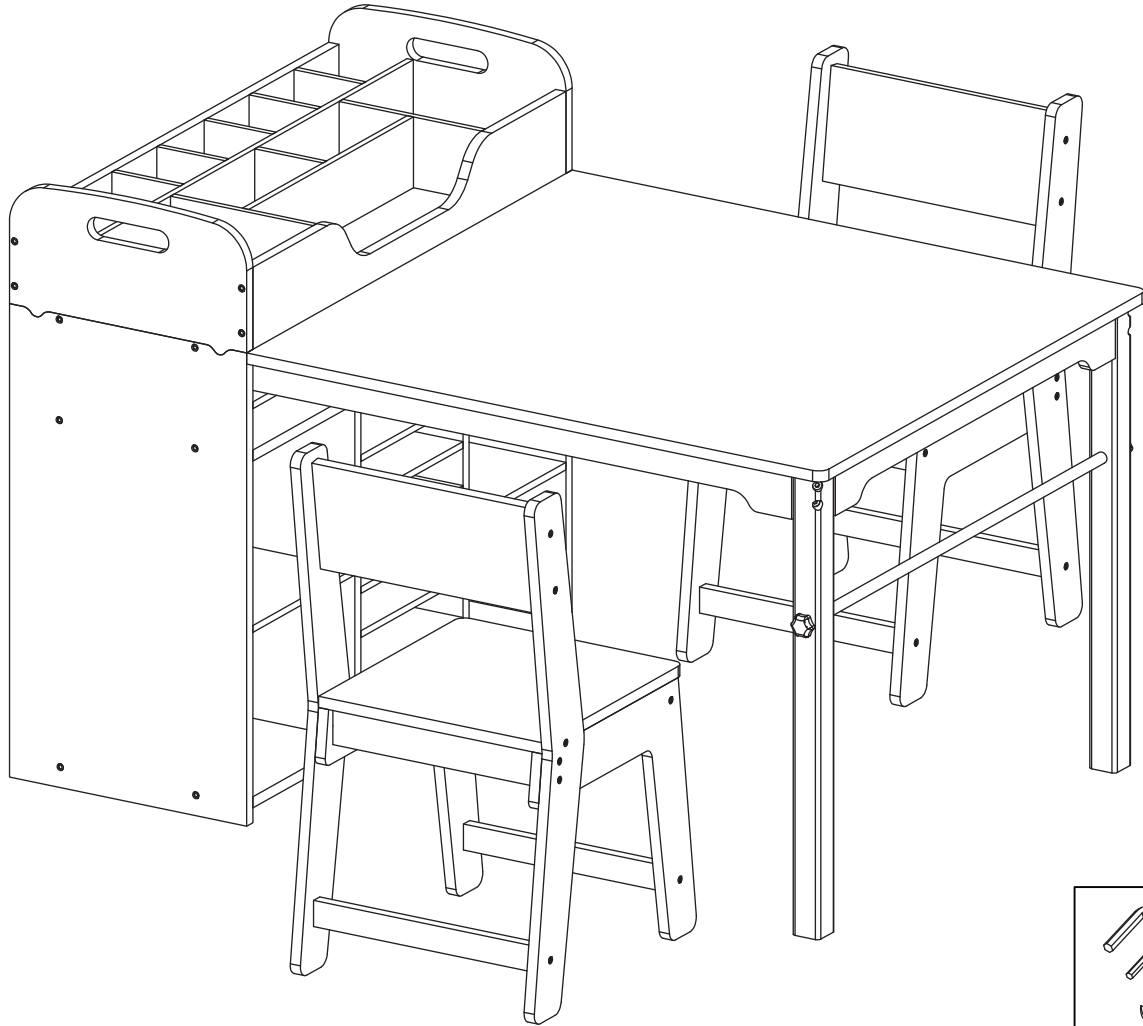
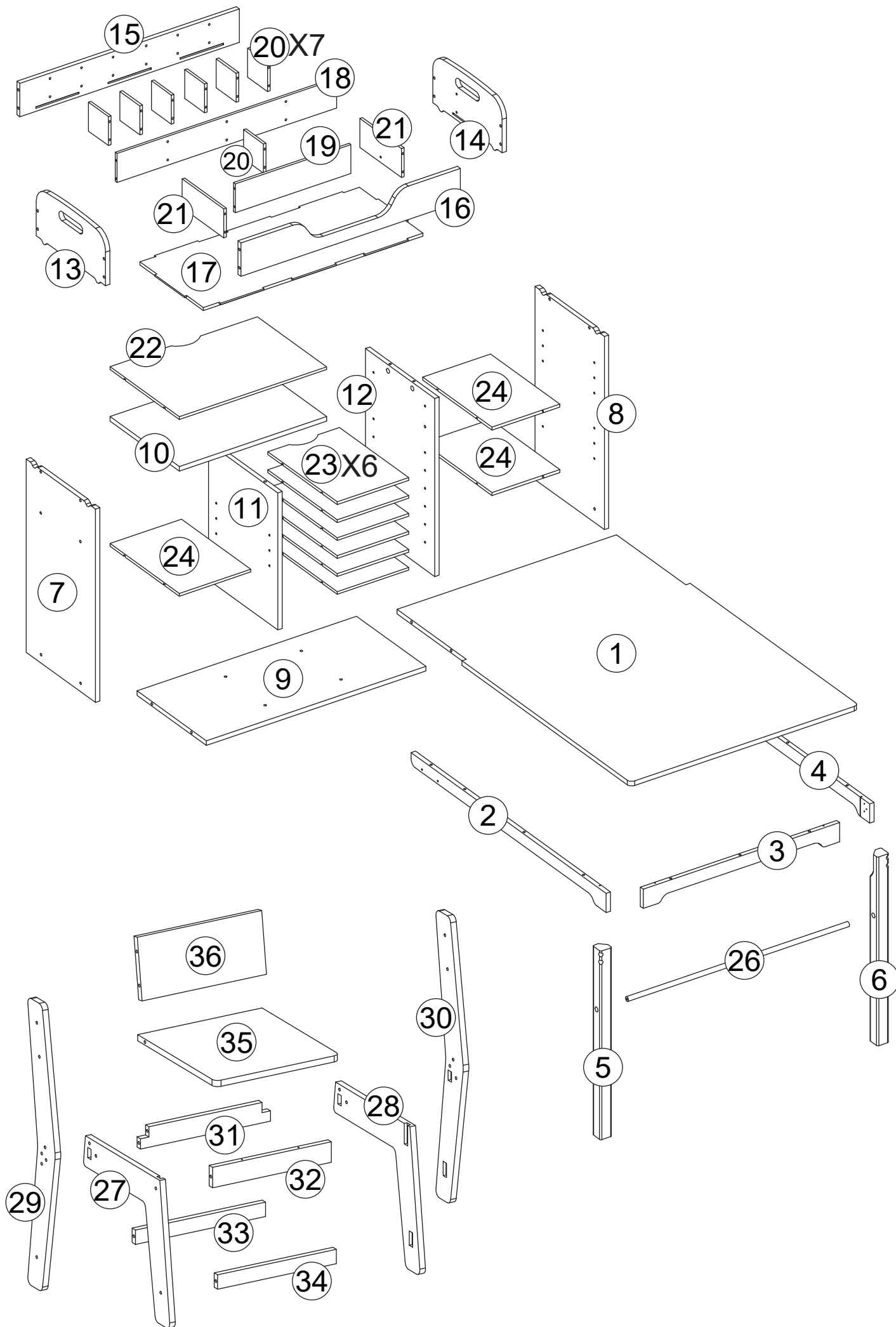


Assembly Instructions

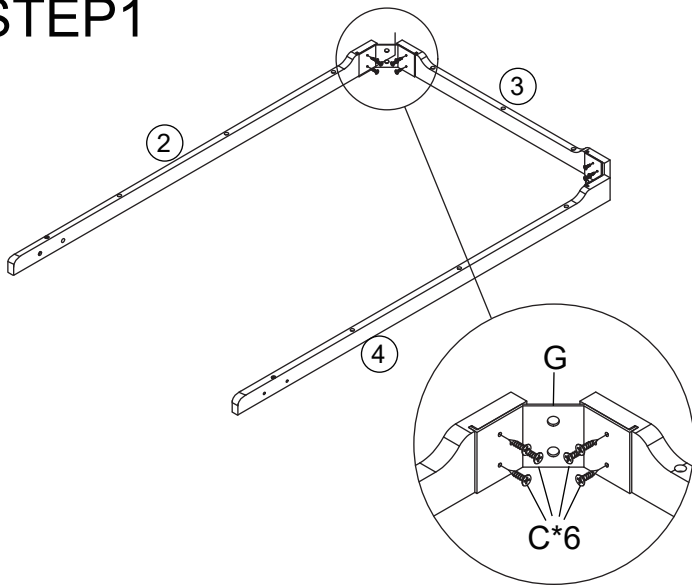
Art table & Chairs Set HOU761



<p>A</p> <p>A1 4 PCS</p> <p>A2 4 PCS</p> <p>A3 4 PCS</p>	<p>B</p> <p>56+2 PCS</p>	<p>C</p> <p>12+1 PCS</p>	<p>D</p> <p>4+1 PCS</p>	<p>E</p> <p>15+1 PCS</p>	
<p>F</p> <p>44+2 PCS</p>	<p>G</p> <p>2 PCS</p>	<p>H</p> <p>2 PCS</p>	<p>J</p> <p>40+2 PCS</p>	<p>K</p> <p>K1 4 PCS</p> <p>K2 4 PCS</p>	<p>L</p> <p>L1 4 PCS</p> <p>L2 4 PCS</p>



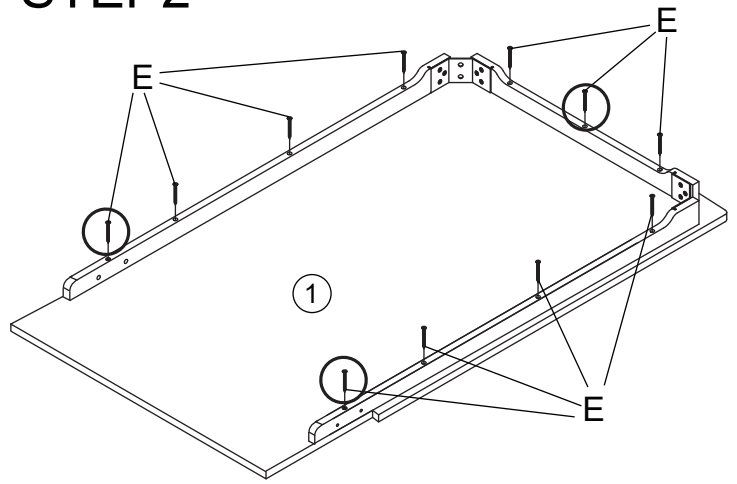
STEP1



Connect Part #2, #3, and #4 using Hardware G (x2) and Screws C (x12)

G*2 C*12

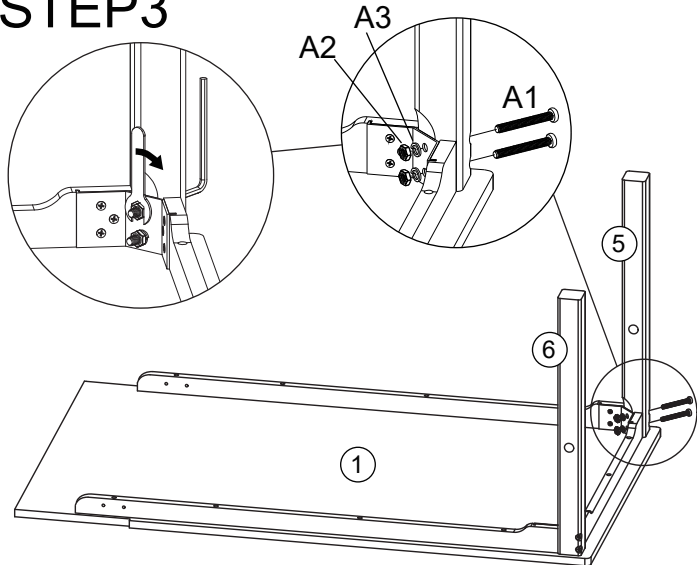
STEP2



See Diagram: 3 circled screws must be tightened first.
Take Connected Part #2, #3, and #4 to Part #1 using Screws E (x11)

E*11

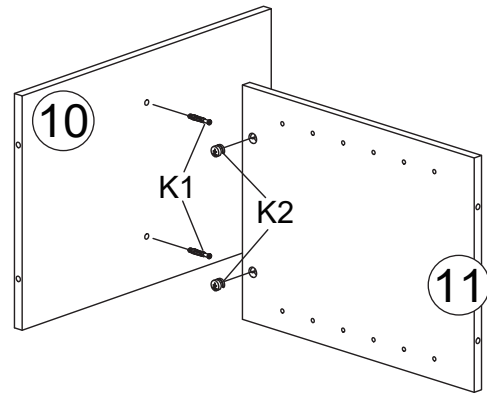
STEP3



Attach Legs (Parts 5&6) to Hardware G (x2) underneath table top corner using Bolts A1 and Washer & Nuts A3 and A2.
Tighten with Allen Wrench & Wrench.

A*4

STEP4

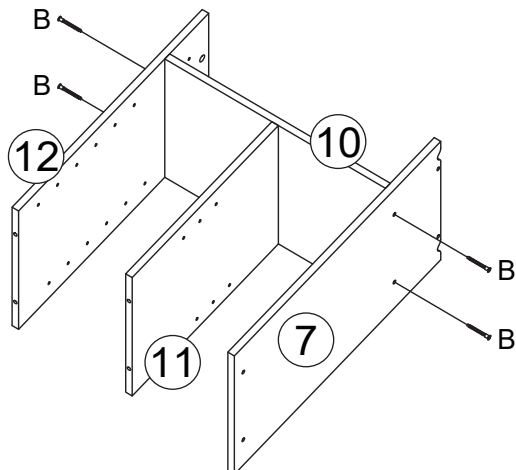


First Attach Cam Bolts K1 to Part 10, then use Cam Nuts K2 to connect Parts #10 and #11.

K*2

STEP5

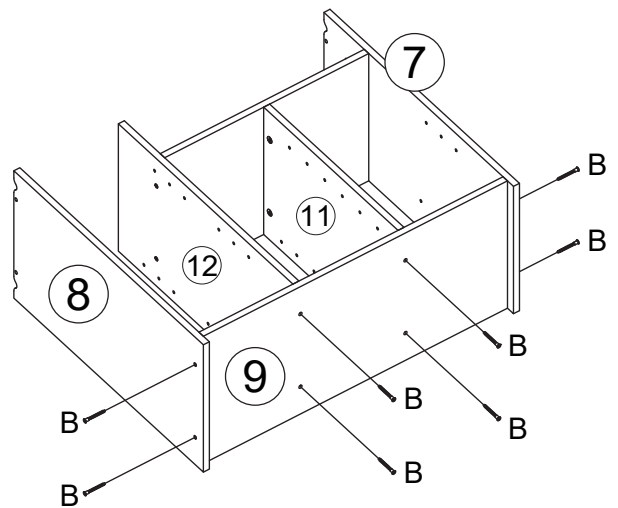
Note: Please pay attention to the orientation of holes of Parts #7, #11, #12 when connecting. Install according to the picture.



Use hardware B to connect Parts #7 to #10, then use hardware B to also connect Part #12 to #10.

B*4

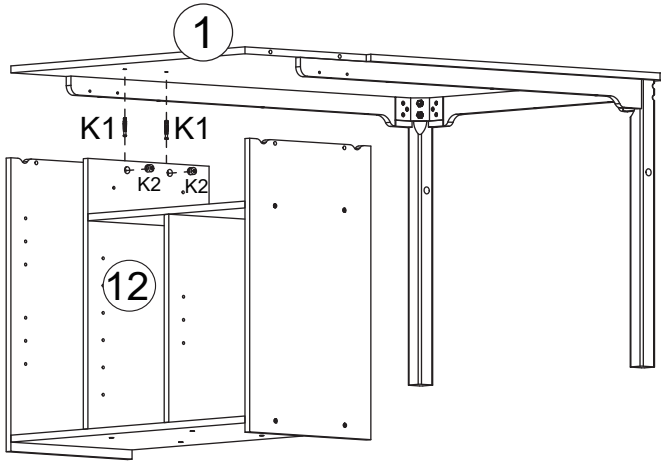
STEP6



Use hardware B to connect Parts #7, #8, #9, #11, #12 together as shown.

B*8

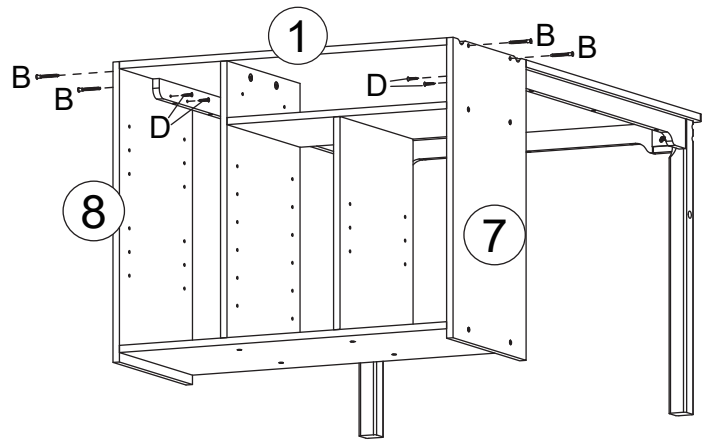
STEP7



First attach Cam bolt K1 to Part #1 as shown, then use Cam nut K2 to connect Parts #1 to #12.

K*2

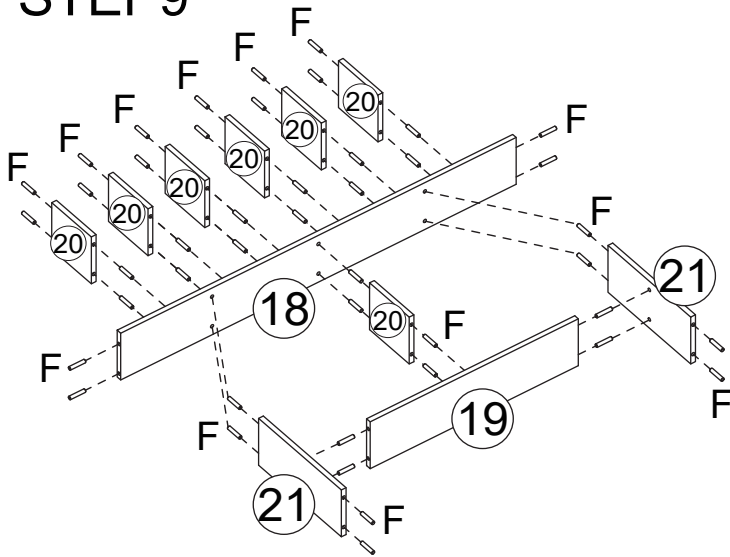
STEP8



First use hardware B to attach of Parts #1 and Parts #7, #8 as shown. and then use screw D to attach the parts as shown.

B*4 D*4

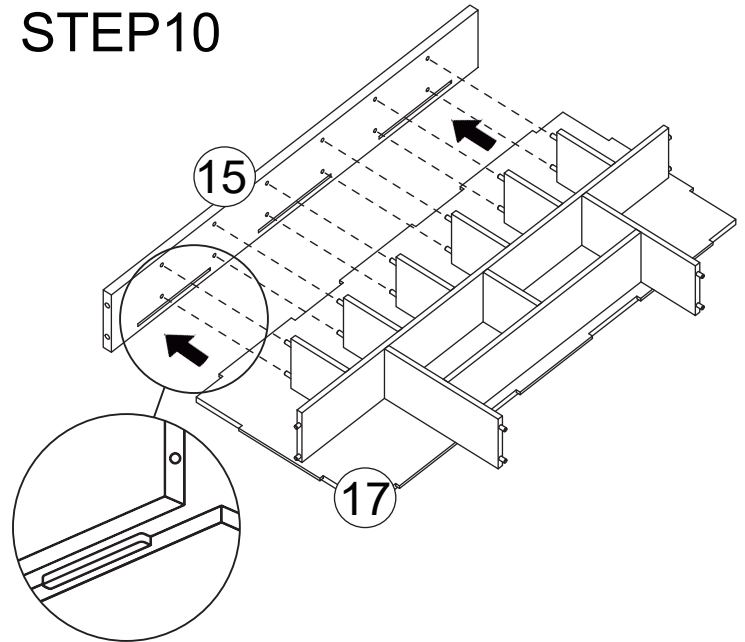
STEP9



Install all the dowels to holes in Parts #18, #19, #20, #21 and fit Parts together as shown in diagram.

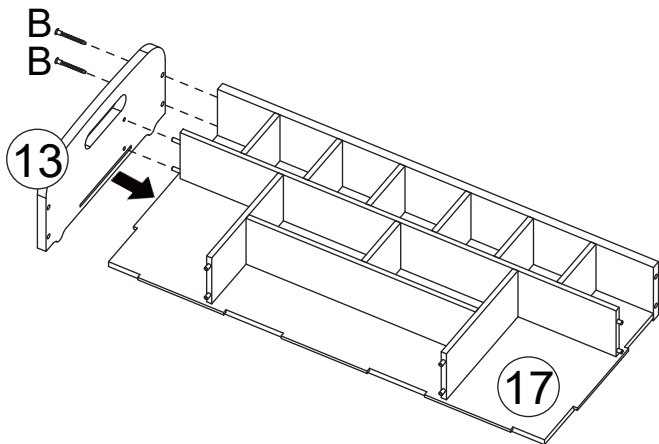
F*44

STEP10



Attach Part #15 by sliding down into dowels and slots on Part #17 as shown.

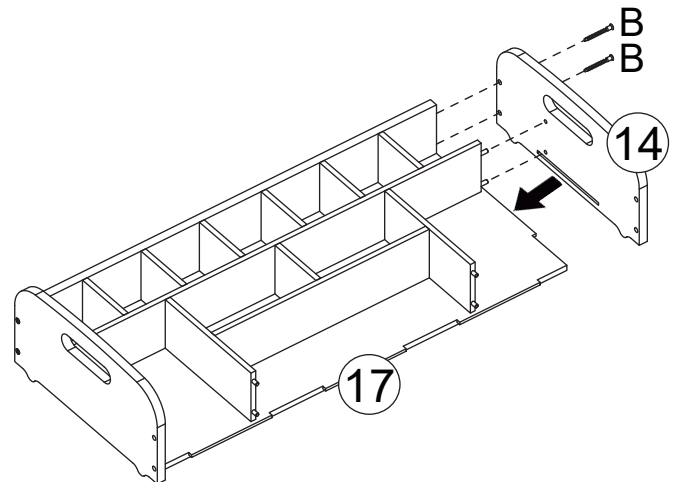
STEP11



Attach side part #13 into assembled unit by sliding into slots on Part #17 and secure with hardware B as shown.

B*2

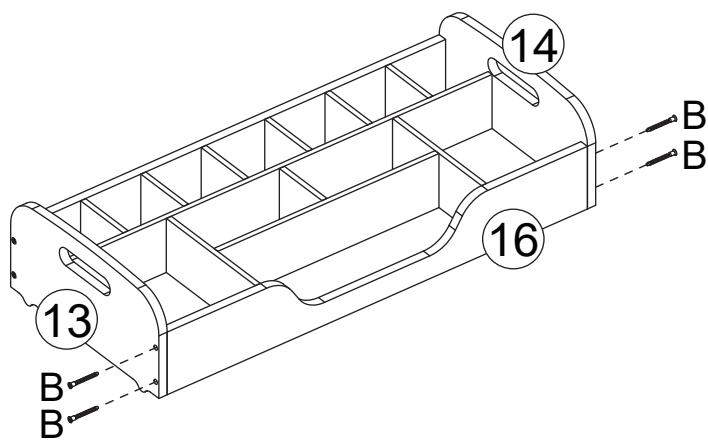
STEP12



Repeat the above step for other Side Part #14.

B*2

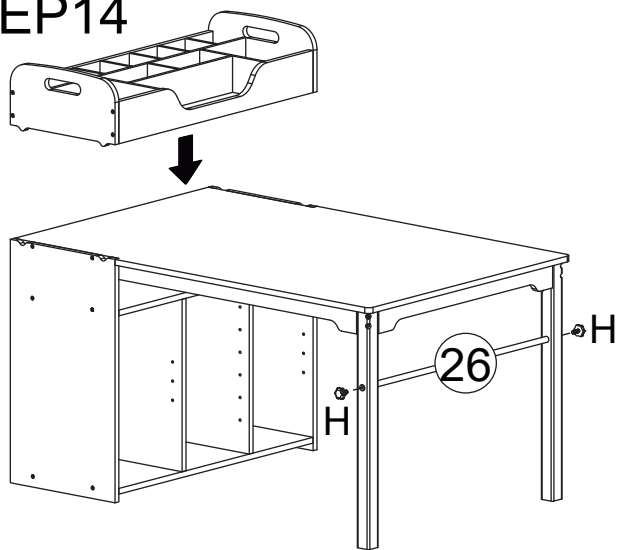
STEP13



Finish Organizer Unit by using hardware B to attach Part #16 to Parts #13,14 as shown.

B*4

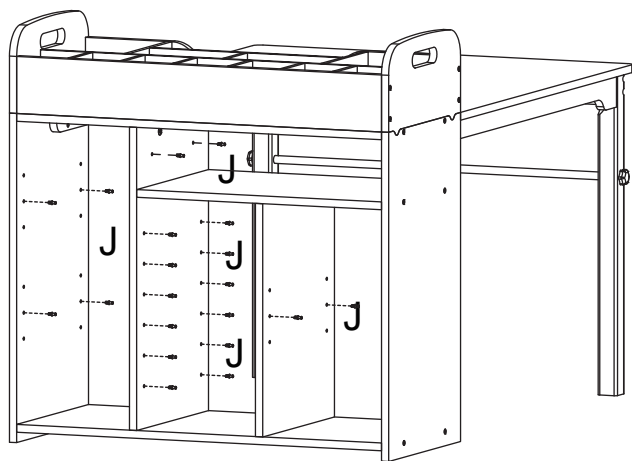
STEP14



Place organizer unit on table. Attach Part #26 to table legs using Hardware H as shown.

H*2

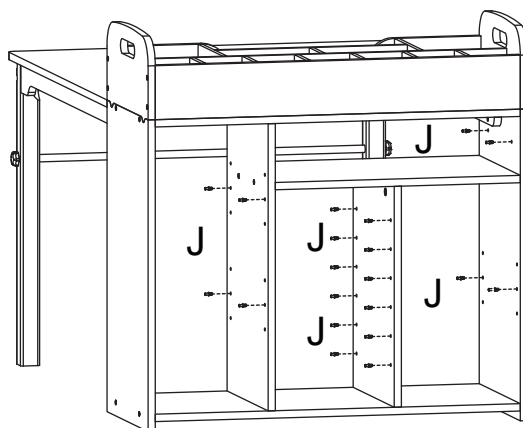
STEP15



Place metal dowel J in holes as shown to hold shelves and dividers at proper heights.

J*20

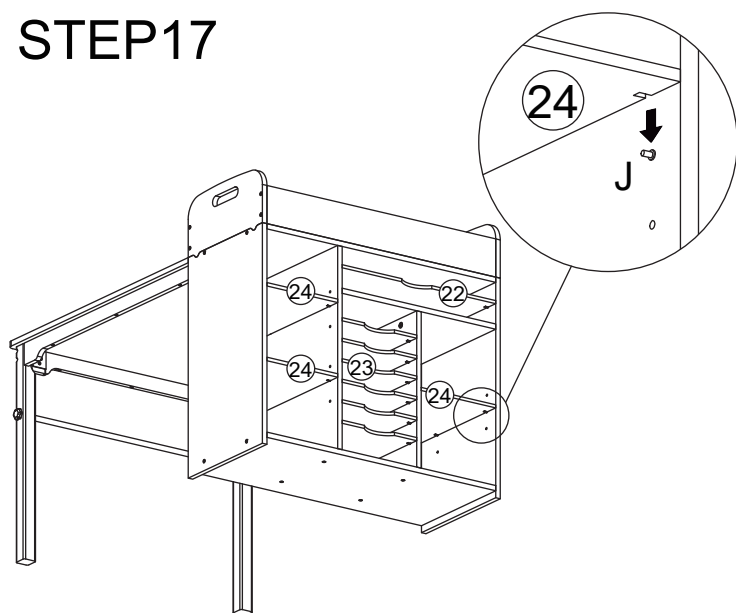
STEP16



Place metal dowel J in holes as shown to hold shelves and dividers at proper heights.

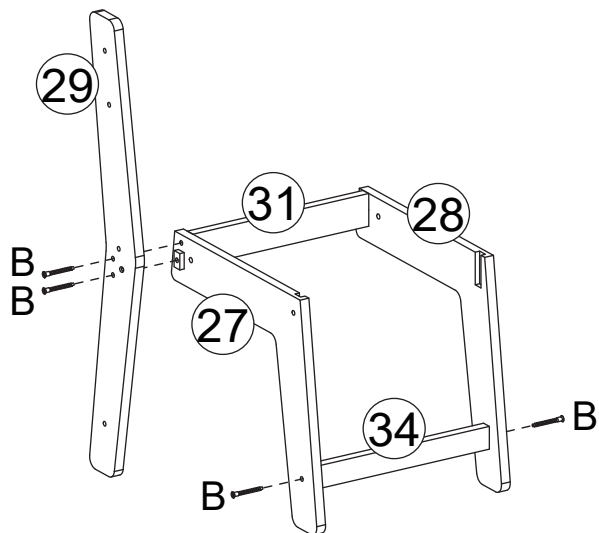
J*20

STEP17



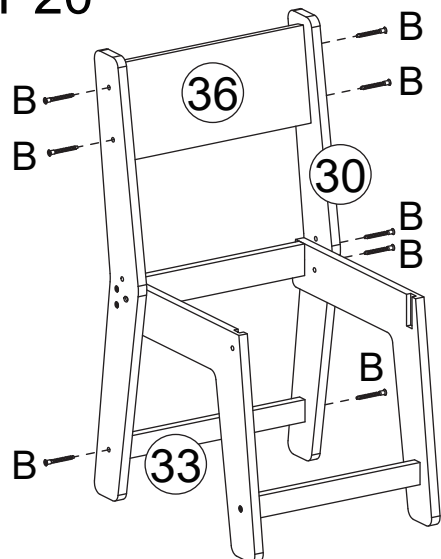
Attach the laminates #22, #23, #24 to the accessory J to complete the installation of the table.

STEP18



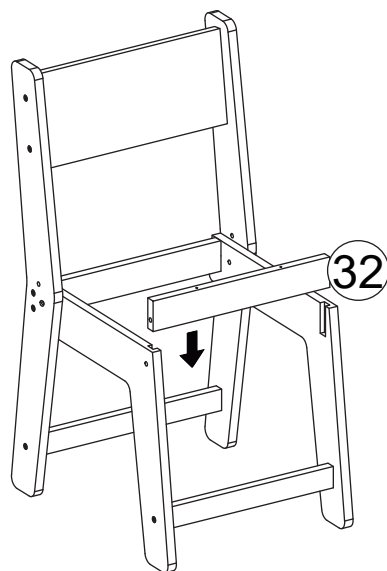
B*4

STEP20



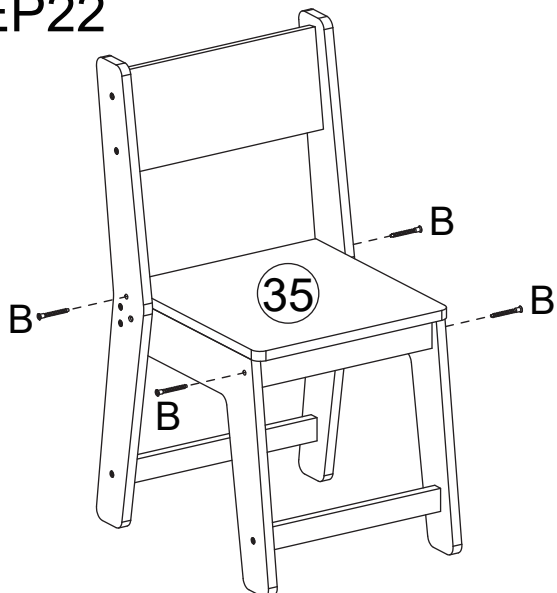
B*8

STEP21



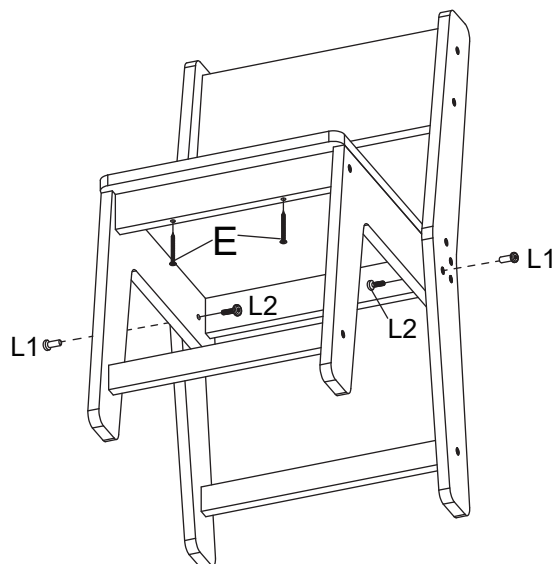
Please note that the big hole of the Part# 32 is facing down, so that the screw E can be installed in step 23.

STEP22



B*4

STEP23



L1*2 L2*2 E*2

Enjoy your new art table & chairs set!

