























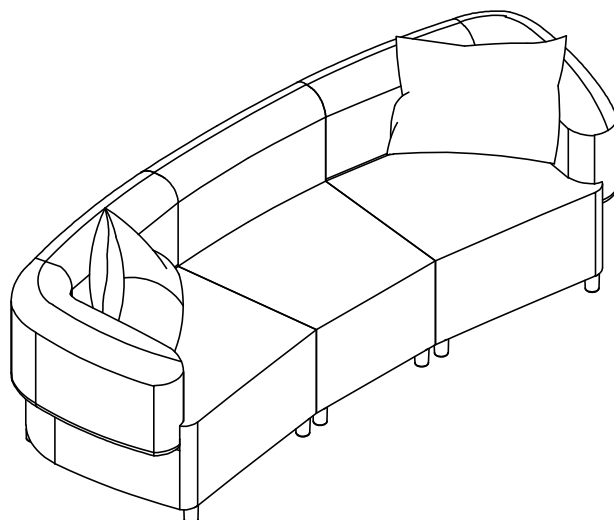
# ASSEMBLY INSTRUCTIONS

Caution : You must read this before you proceed

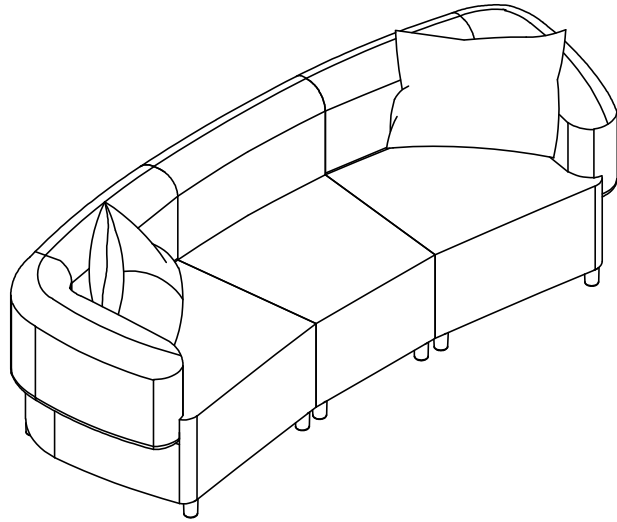
## Care & Maintenance

 	<ul style="list-style-type: none"><li>• Not for commercial use. For residential use only.</li></ul>
 	<ul style="list-style-type: none"><li>• Furniture may scratch floors. We recommend using furniture pads to protect your floors.</li></ul>
 	<ul style="list-style-type: none"><li>• Do not put hot items directly on furniture surface.</li></ul>
 	<ul style="list-style-type: none"><li>• Do not clean furniture with harsh cleansers or polish.</li></ul>
 	<ul style="list-style-type: none"><li>• Do not place furniture under direct sunlight.</li></ul>
 	<ul style="list-style-type: none"><li>• Do not place furniture near heating or cooling vents.</li></ul>
 	<ul style="list-style-type: none"><li>• Do not write on furniture without a padded barrier to protect the surface.</li></ul>
 	<ul style="list-style-type: none"><li>• Do not place furniture outside . For indoor use only.</li></ul>
 	<ul style="list-style-type: none"><li>• Stains may be removed with mild soap solution and damp cloth.</li></ul>
 	<ul style="list-style-type: none"><li>• Children should not climb or jump on the furniture.</li></ul>
 	<ul style="list-style-type: none"><li>• Dust and pick-up spills using a clean, non-colored, lint-free cloth.</li></ul>

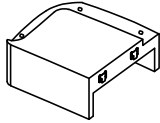
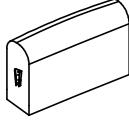
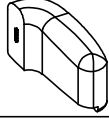
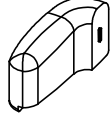
## SELECTIONAL SOFA.



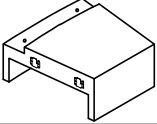
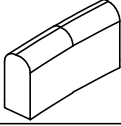
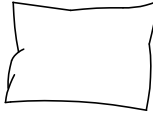
**Upholstered Sofa**  
 N767P452809 / N767P452810/  
 N767P452811



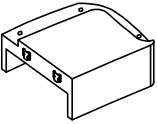
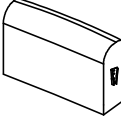
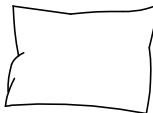

**PART LIST (N767P452809)**

Label	Picture	Description	QTY
C2		Left body sofa	1
D2		Left backrest	1
E1		Right arm chair	1
E2		Left arm chair	1

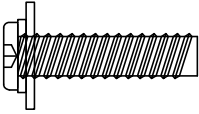
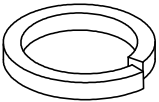


## PART LIST (N767P452810)

Label	Picture	Description	QTY
A		Middle body sofa	1
B		Middle backrest	1
G		Pillow	1

## PART LIST (N767P452811/Hardware in this SKU)

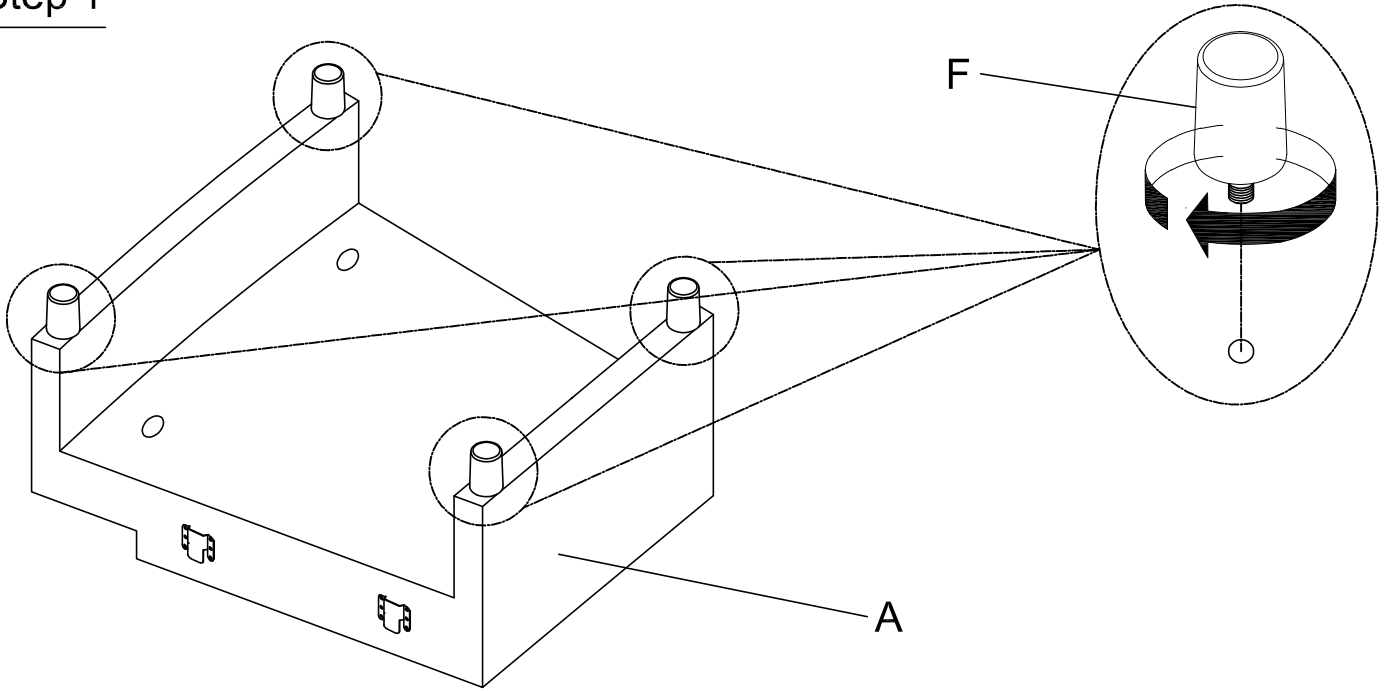
Label	Picture	Description	QTY
C1		Right body sofa	1
D1		Right backrest	1
G		Pillow	1
F		Legs	12

## Hardware (N767P452811)

Label	Picture	Description	QTY
①	 A technical drawing of a bolt with a hexagonal head and a threaded shaft.	Bolt Ø5/16"×70mm	8+1
②	 A technical drawing of a standard washer with a hexagonal hole.	Washer Ø5/16"	8+1
③	 A technical drawing of a flat washer with a hexagonal hole.	Flat washer Ø5/16"	8+1
④	 A technical drawing of an L-shaped Allen key.	L-Allen Key	1

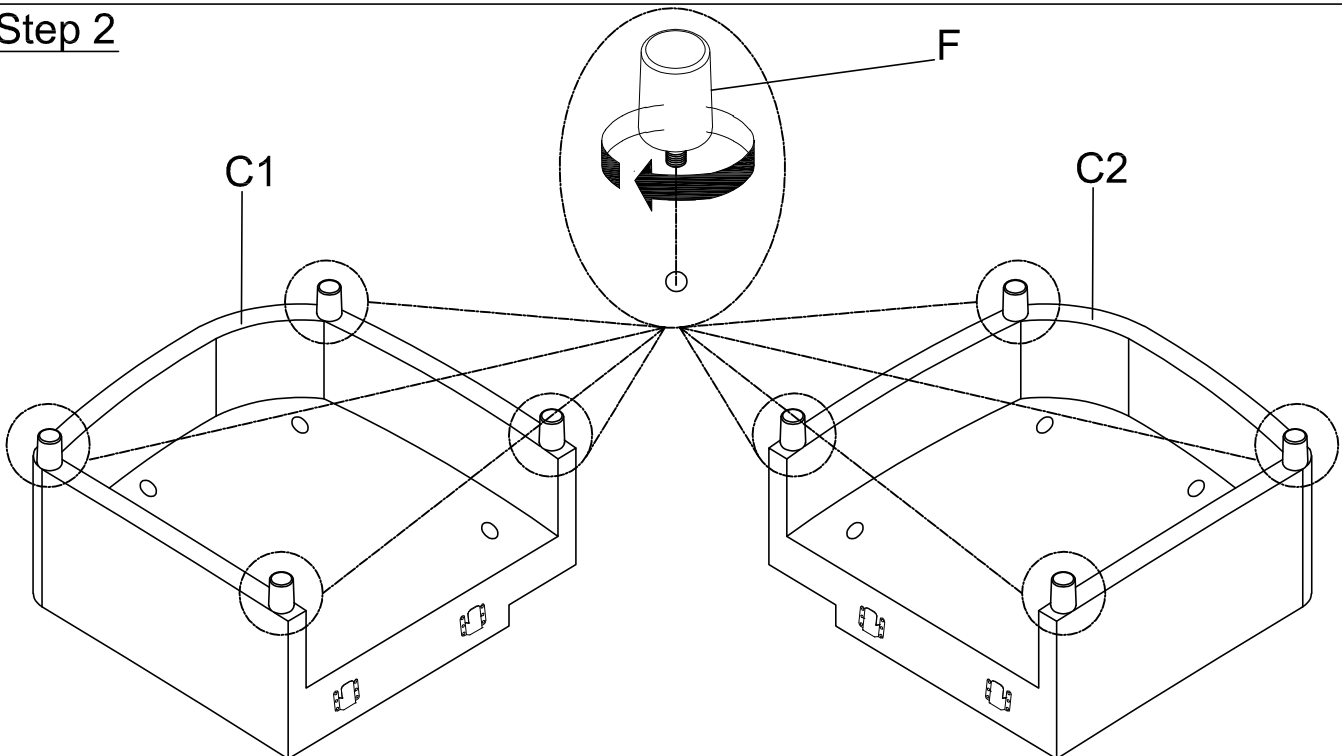


**Step 1**



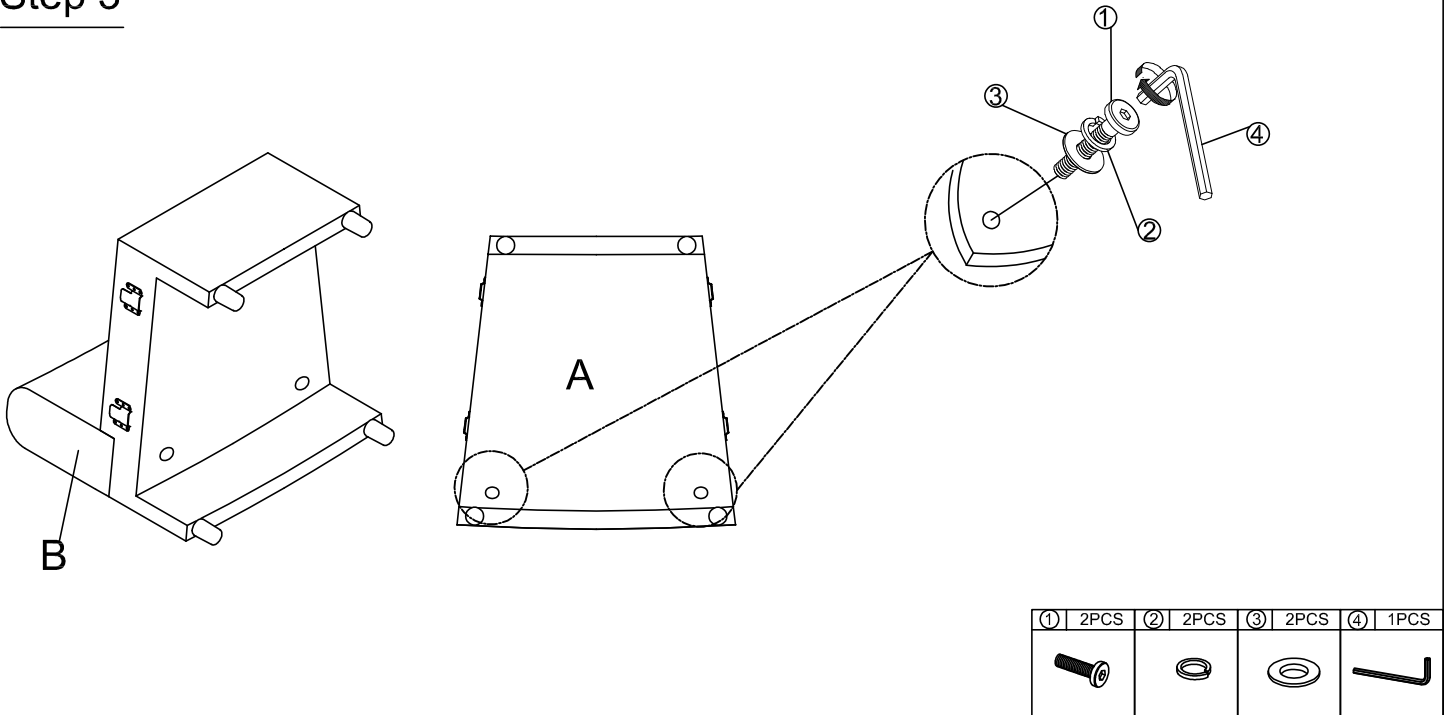
Insert Leg(F) to Middle body chair(A) .

**Step 2**



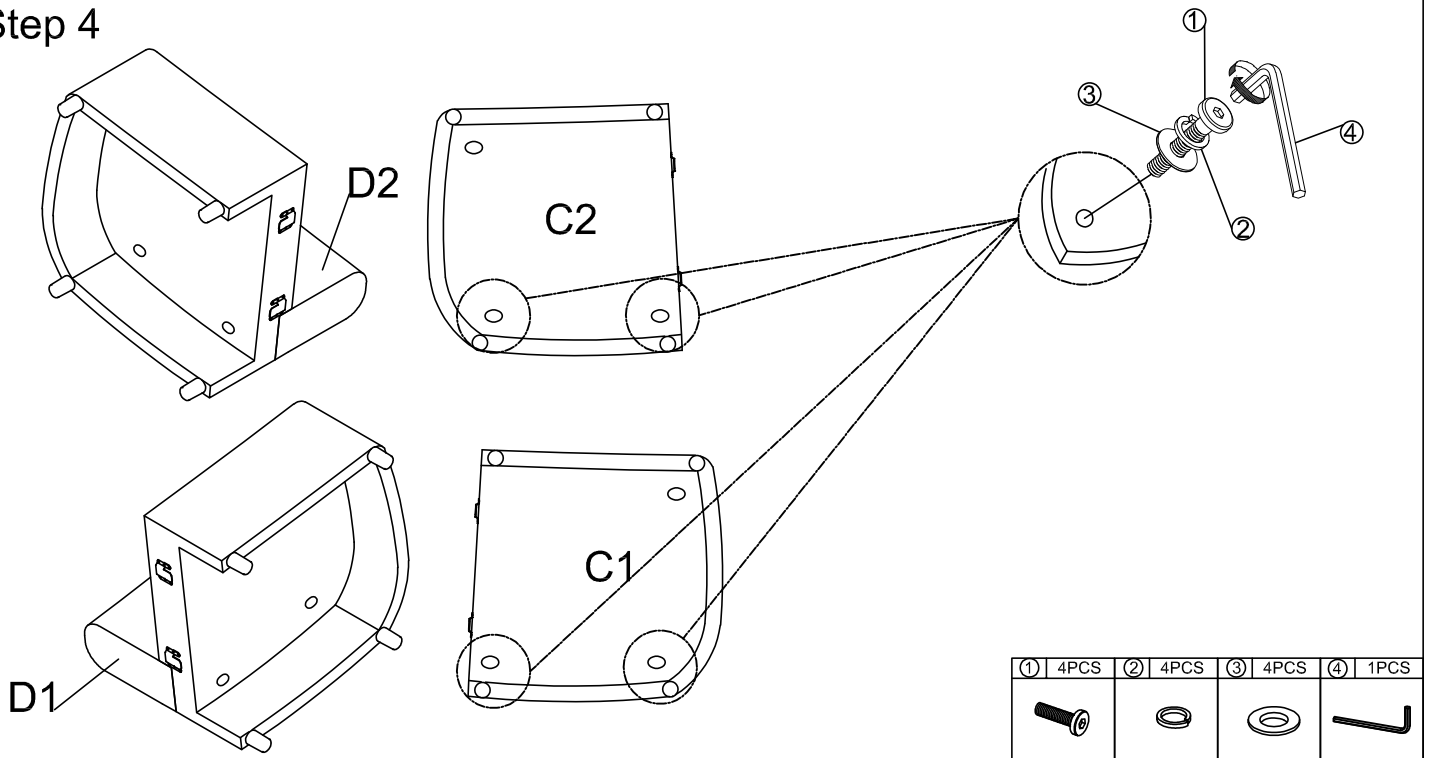
Insert Leg(F) to Left and right body chair(C1),(C2) .

### Step 3



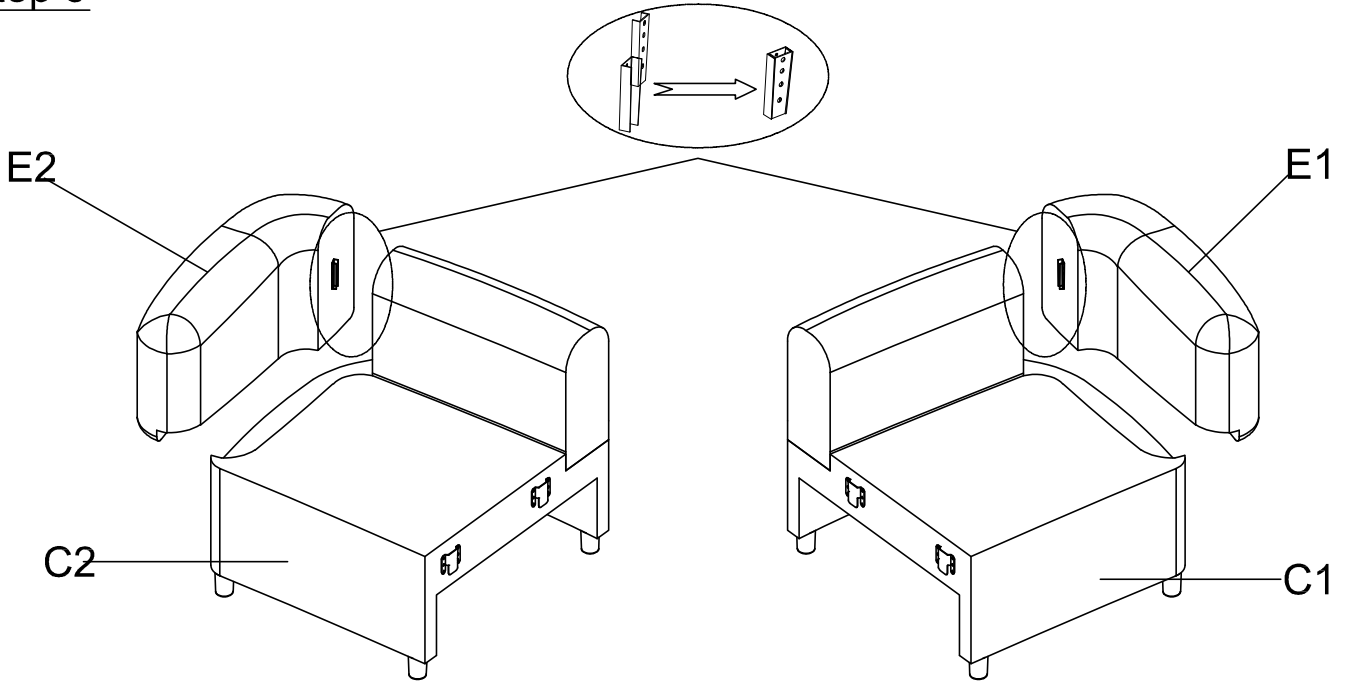
Attach Middle body chair(A) and Middle backrest (B)

### Step 4



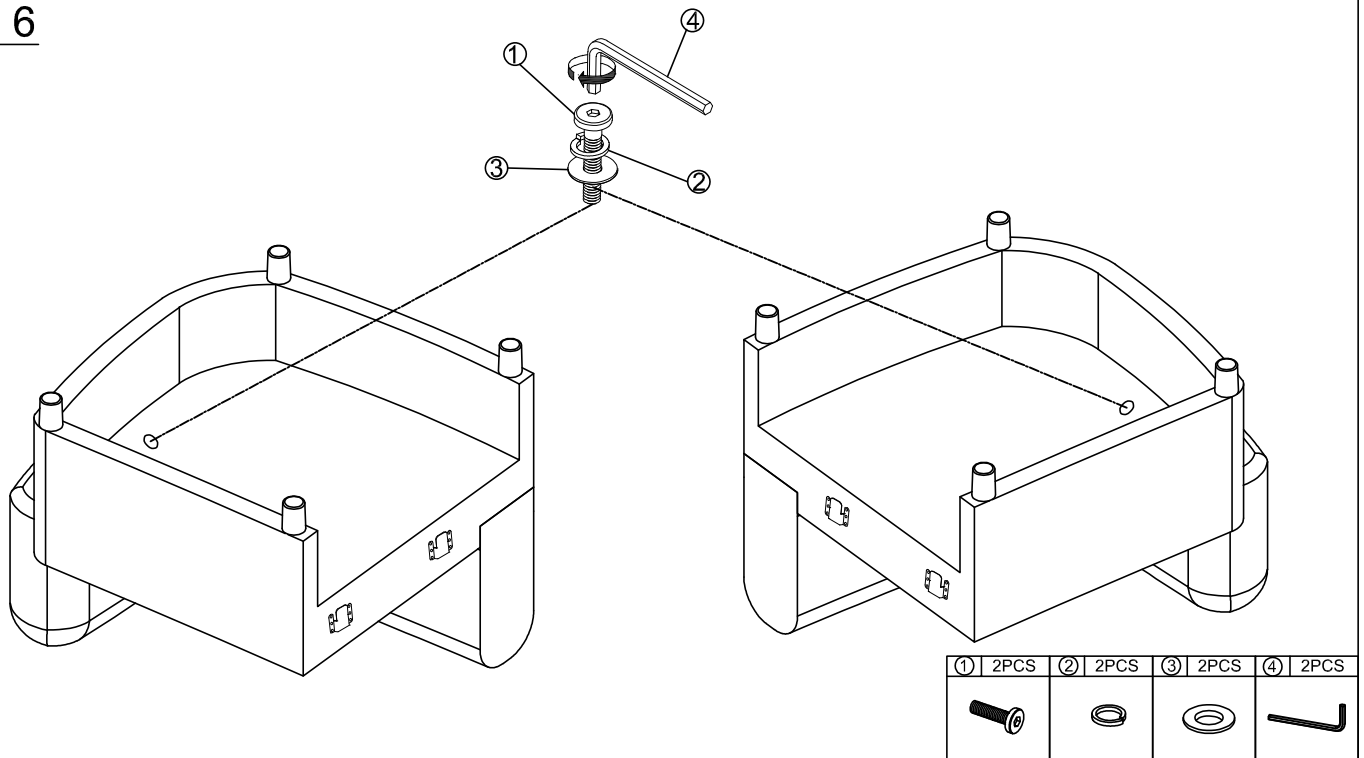
Attach Left and right body chair(C1),(C2) and Left and right backrest (D1),(D2)

**Step 5**

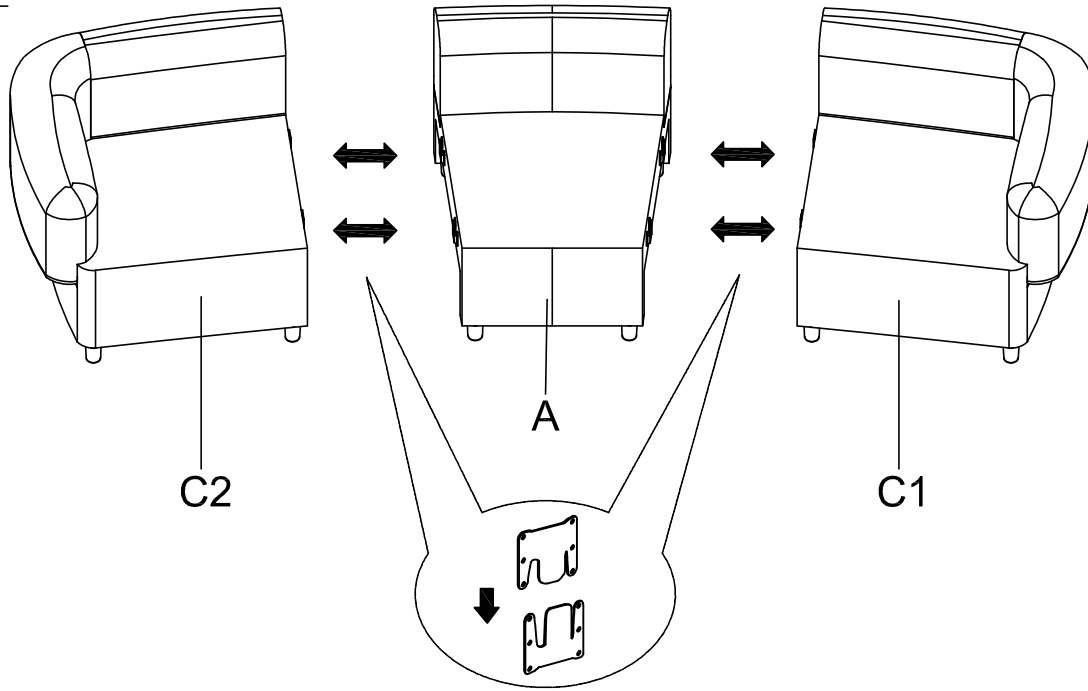


Insert Left and right arm chair(E1),(E2) .

**Step 6**

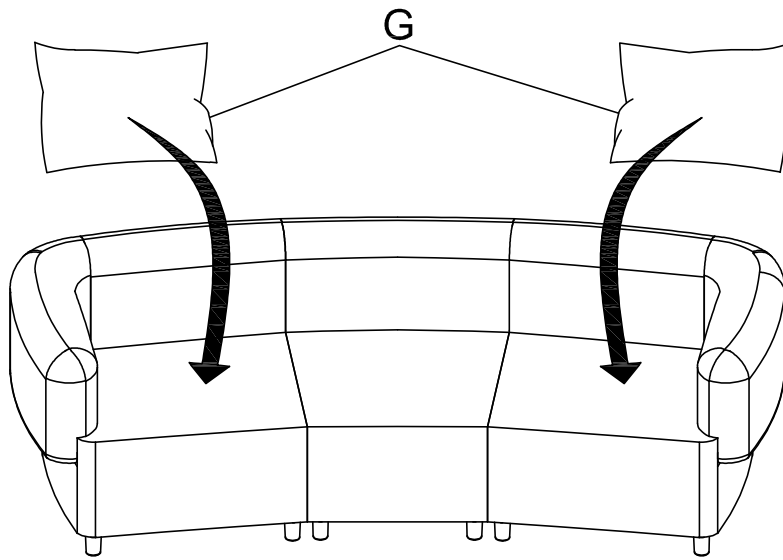


Step 7



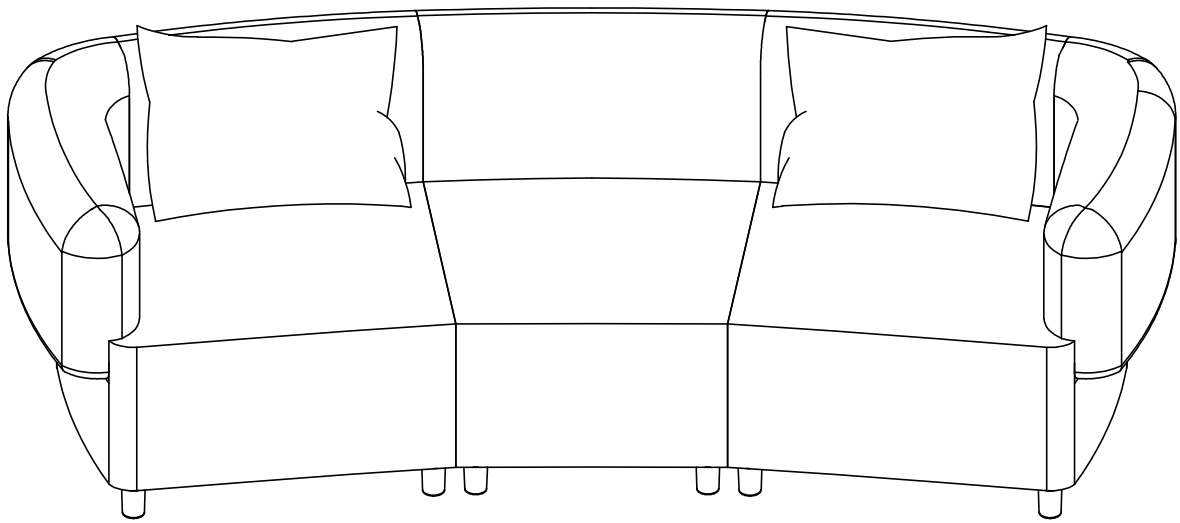
Attach the sofa by metal base

Step 8



Insert Pillow(G) .

Step 9



Your Upholstered Sofa is ready for use.  
This Upholstered Sofa can only be used on a flat, level surface.

Place the Bed on a LEVEL SURFACE.

Inspect it and make sure all parts are adequately connected.  
Don't push too hard, shake on the bed.

This would help to align all the parts at all the joint areas.

CAUTION 1:When tightening the screws,tighten sequentially.

DO NOT tighten any screw fully and then towards the next one.

This would cause the frame to warp.

If there is still wobbles,loosen the screws and execute this same process.DO NOT

tighten any screw fully and then towards the next one.

WARNING!!!IF BED IS NOT STABLE,IT COULD LEAD TO  
DAMAGING THE PRODUCT.

Ensure all screws are fully locked into position.