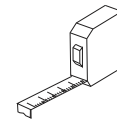
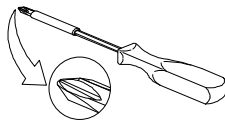
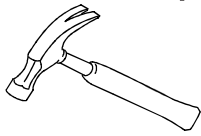


Assembly Instructions



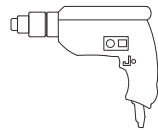
General Assembly Guidelines

- I. Ensure that all parts and hardware are available before beginning assembly.
- II. Follow each step carefully to ensure the proper assembly of this product.
- III. Two people are recommended for ease in the assembly of this product.
- IV. The three main types of hardware used to assemble this product are wood dowels, screws and bolts.
- V. A hammer, a Phillips head screwdriver and a tape measure are required for the assembly of this product.



Tape measure

- VI. Power tools should not be used to assemble this product.

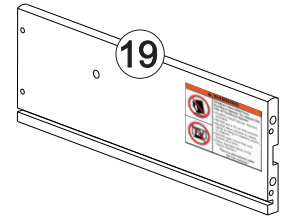
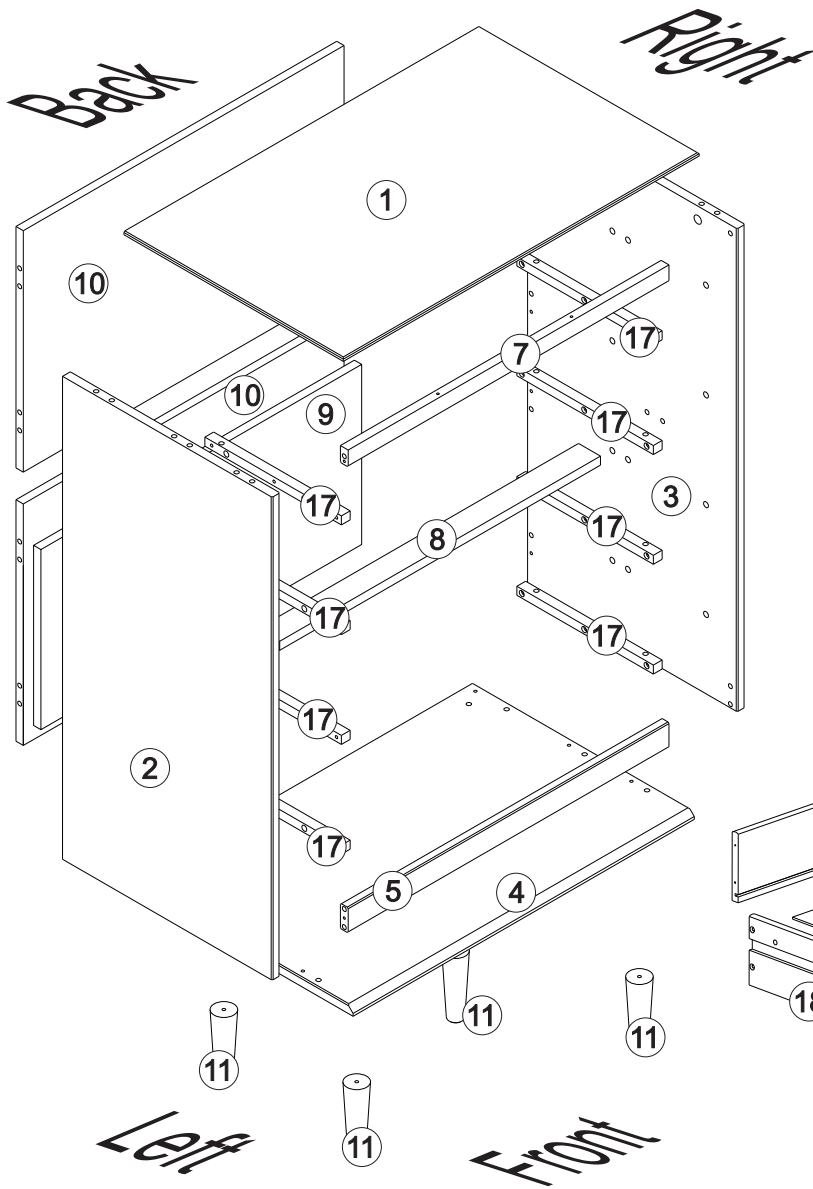


VII. Maintenance Guide

To maintain long term performance and easy gliding of your solid wood drawers, we recommend applying wax to the wooden guide rails.

1. Bee's wax is recommended or Paraffin wax from a standard candle can be used.
2. Apply the wax by rubbing it on the wooden guide rails where there is wood-on-wood contact when opening and closing the drawer. (Wax should be room temperature, do not melt the wax onto the wood)
3. Wax should be applied every few months for the first year and then only when needed after that to keep the drawers sliding smoothly.

Parts List



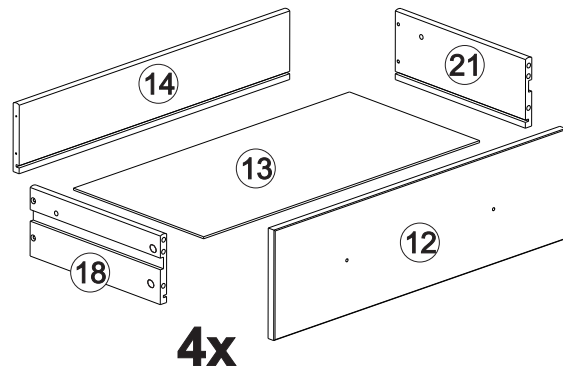
The side drawer with WARNING LABEL, should be mounted in highest drawer.

▲ WARNING

Children have died from furniture tipover. To reduce the risk of furniture tipover:

- ALWAYS install tipover restraint provided.
- NEVER put a TV on this product.
- NEVER allow children to stand, climb or hang on any drawers, doors, or shelves.
- Never open more than one drawer at a time.
- Place heaviest items into the lowest drawers.

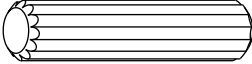
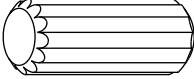


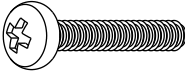

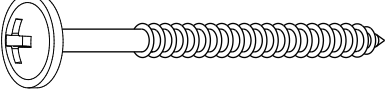

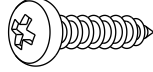
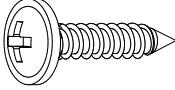
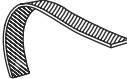
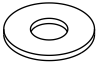

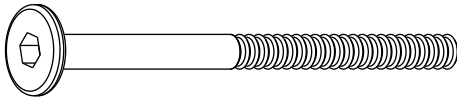

This is a permanent label. Do not remove!



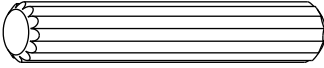
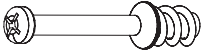

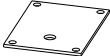
Part#	Description	Qty
1	Top panel	01 pc
2	Left side panel	01 pc
3	Right side panel	01 pc
4	Bottom panel	01 pc
5	Bottom front rail	01 pc
7	Upper front rail	01 pc
8	Center rail	01 pc
9	Lower back panel	01 pc
10	Back panel	02 pc

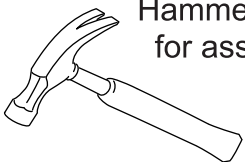
Part#	Description	Qty
11	Foot	04 pcs
12	Drawer front	04 pcs
13	Drawer bottom	04 pcs
14	Drawer back	04 pcs
17	Wood slider	08 pcs
18	Left drawer side	04 pcs
19	Right drawer side with warning	01 pc
21	Right drawer side	03 pcs

Hardware List

A		Ø8*30mm	Wooden dowel	49 pcs
B		Ø10*20mm	Wooden dowel	24 pcs
C		Ø4*25mm	Screw	24 pcs
D		Ø3,5*30mm	Screw	24 pcs
E		M4*22mm	Screw	08 pcs
F		Ø4,0*40mm	Screw	07 pcs
G		Ø4,0*40mm	Screw	04 pcs
H			Knob	08 pcs
I		Ø3,5*14mm	Screw	08 pcs
J		Ø4,0*16mm	Screw	01 pc
K			Wall anchor	01 pc
L			Washer	02 pcs
M		Ø6mm	Wall fixer	01 pc
N		Ø7*80mm	Screw	04 pcs
O			Hex key	01 pc

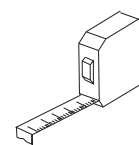
Hardware List

P		Ø8*40mm	Wooden dowel	08 pcs
Q		ø5,0*24mm	Cam Bolt	30 pcs
R		ø15*12mm	Cam Lock	30 pcs
S		75*50mm	sheet metal	02 pcs



Hammer recommended
for assembly (not included)

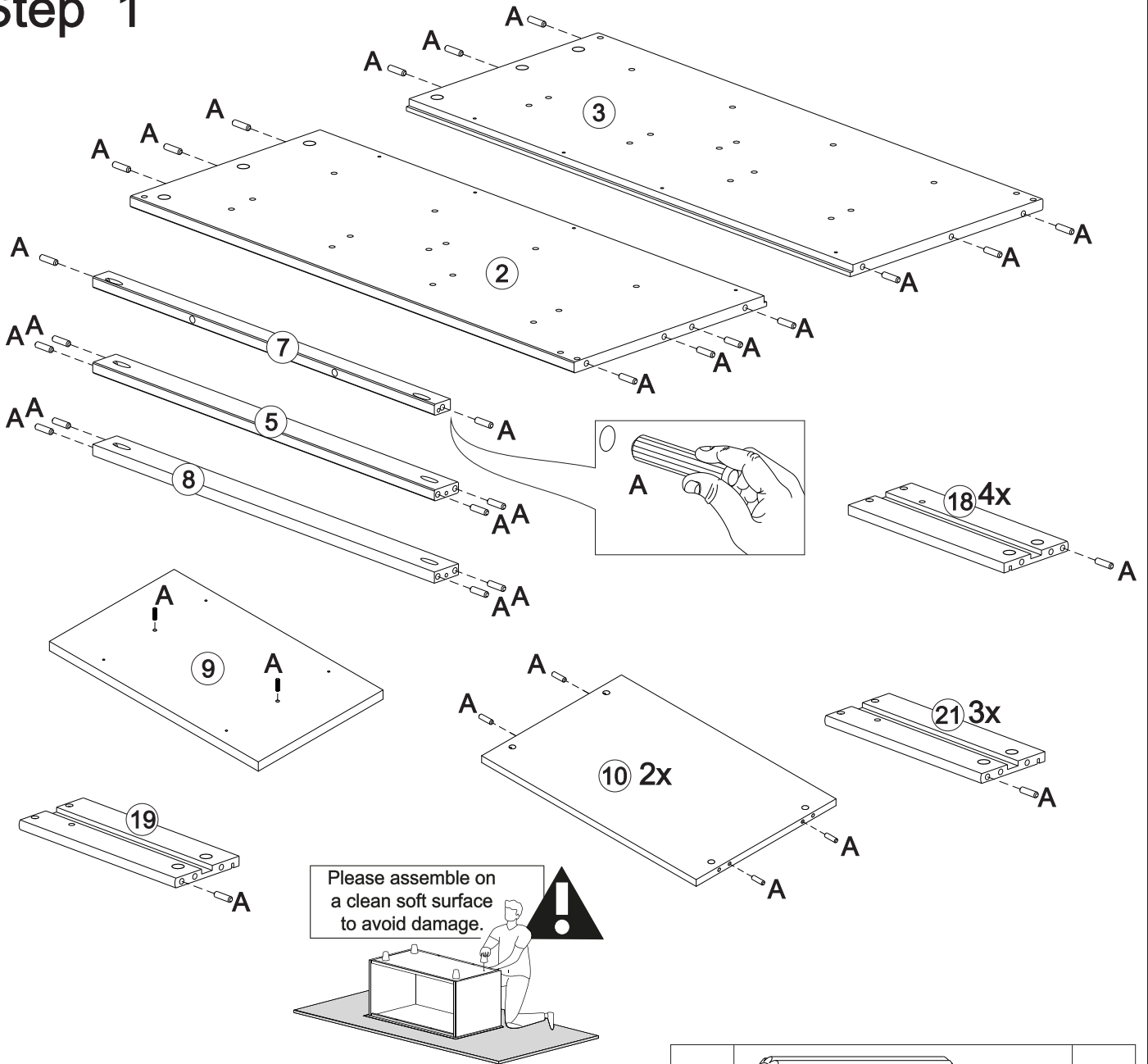
Philips head screwdriver required
for assembly (not included)



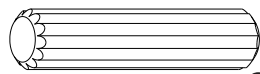
Tape measure
required
for assembly
(not included)

*The hardware quantities listed above are required for proper assembly.
Some extra hardware may also have been included.*

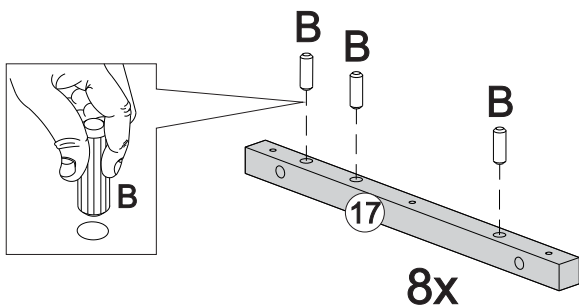
Step 1



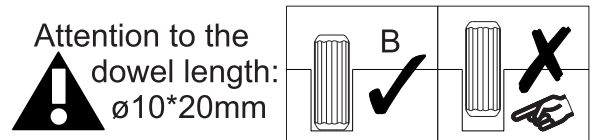
Insert wood dowel (A) into parts 2,3,5,7,8,9,10,18,19 and 21.

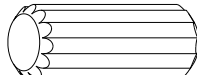
A		41
$\varnothing 8 \times 30 \text{mm}$		

Step 2



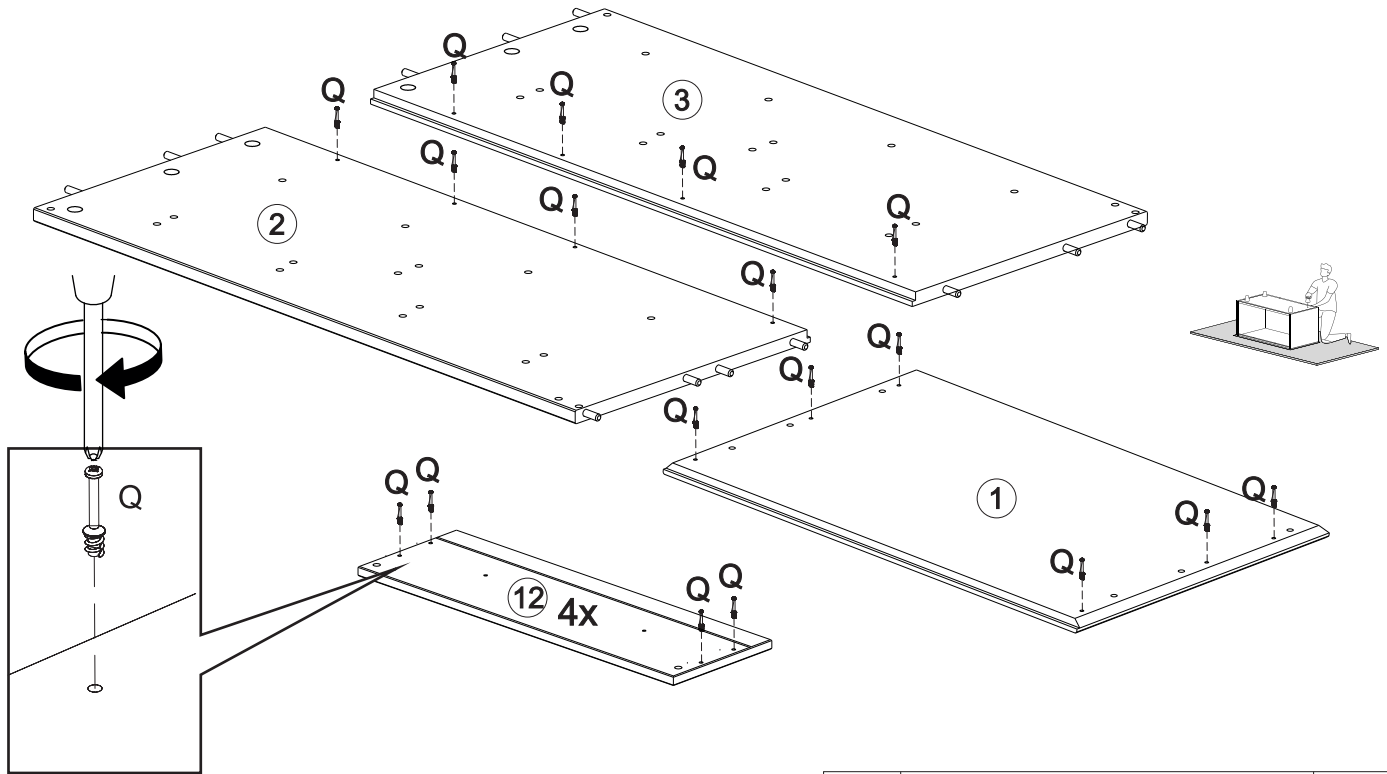
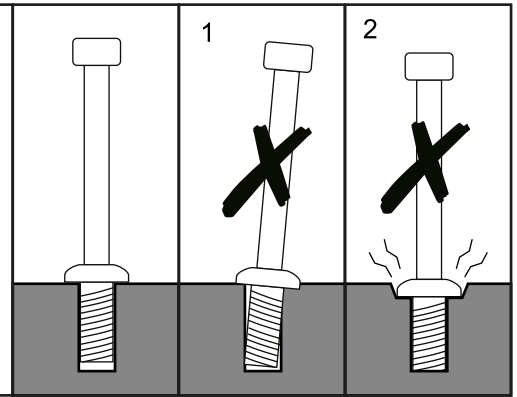
Insert wood dowel (B) into part 17.



B		24
$\varnothing 10 \times 20 \text{mm}$		

Step 3

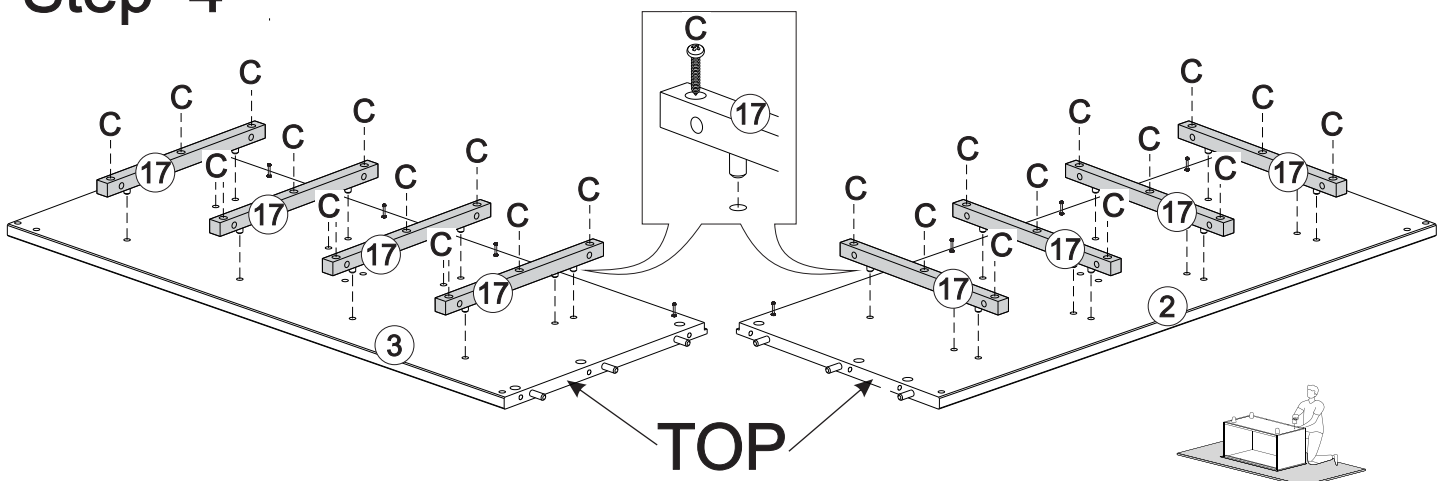
1 - Ensure cam bolt is installed straight and not at an angle.
 2 - Tighten cam bolt until shoulder on cam bolt is flush. Do not over-tighten.



Insert Cam Bolt (Q) into parts 1,2,3 and 12 using Phillips head screwdriver.

Q		30
$\varnothing 5,0 \times 24 \text{mm}$		

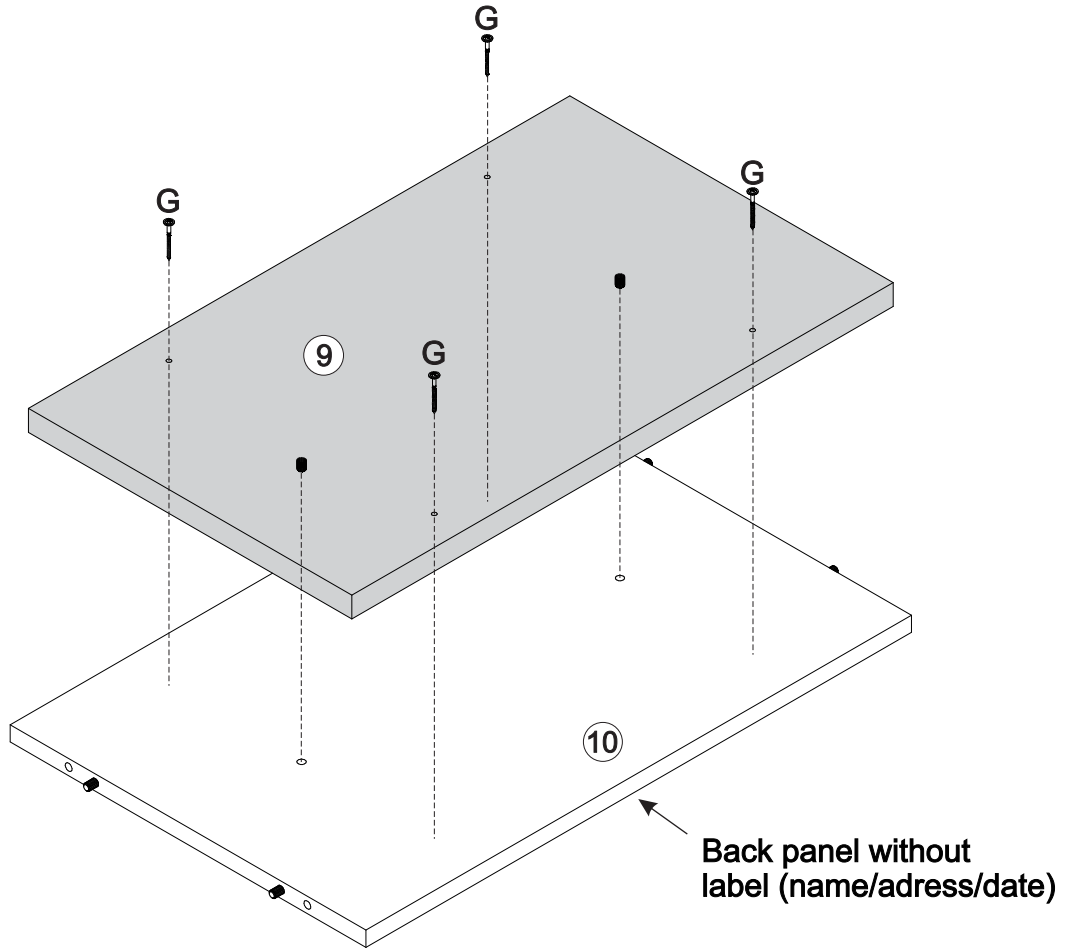
Step 4



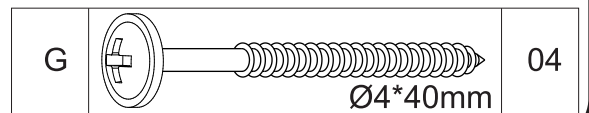
Secure part 17 to parts 2 and 3 with screw (C) using a Phillips head screwdriver.

C		24
$\varnothing 4 \times 25 \text{mm}$		

Step 5



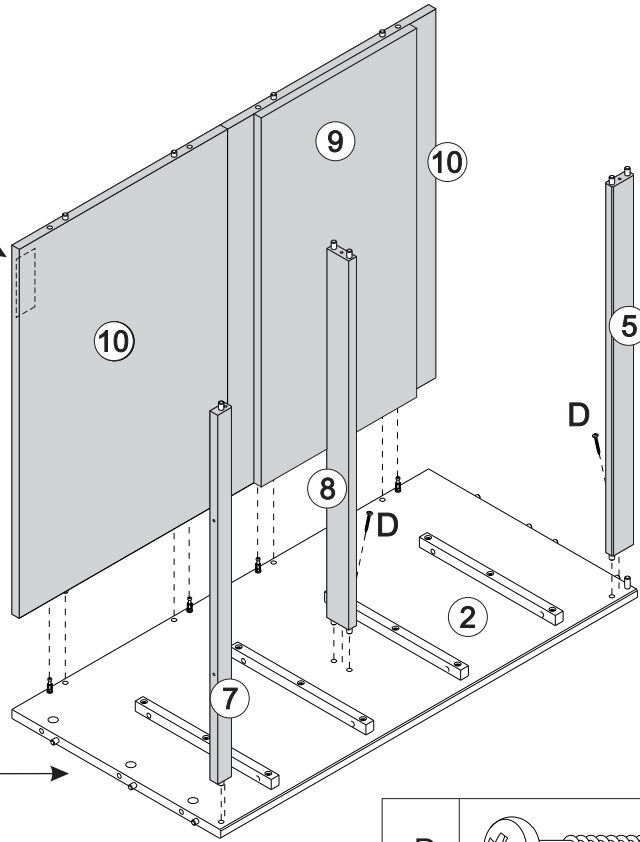
Secure part 9 to part 10(without label) with screw (G) using a Phillips head screwdriver



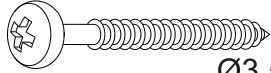
Step 6

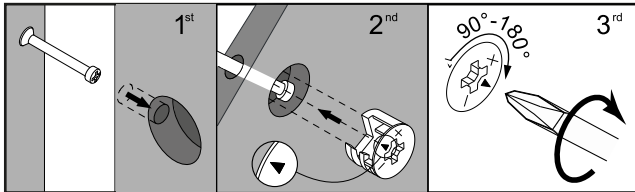
The BACK PANEL with LABEL must be placed on top of the unit.

TOP



Join parts 5,7,8,9 and 10 to part 2, secure part 5 and 8 with screw (D) using Phillips head screwdriver.

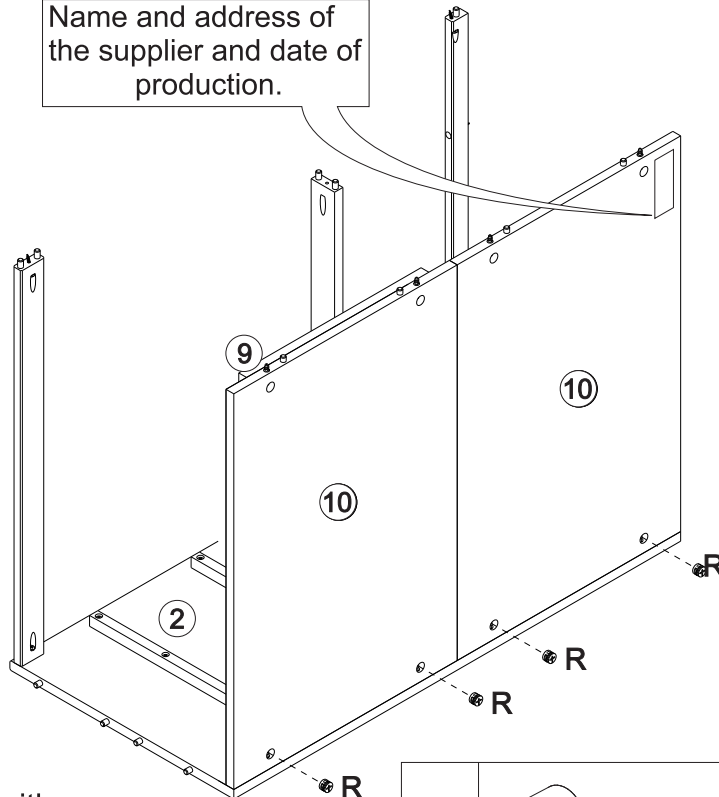
D		02
$\text{Ø}3,5 \times 30\text{mm}$		




Align the opening in cam lock to the cam bolt and press into opening. Using a screwdriver, rotate the cam lock until it engages with the cam bolt and locks in place (anywhere between 90-180 degrees). Do not over-tighten the cam lock. Doing so may result in damaged or broken parts.

Step 7

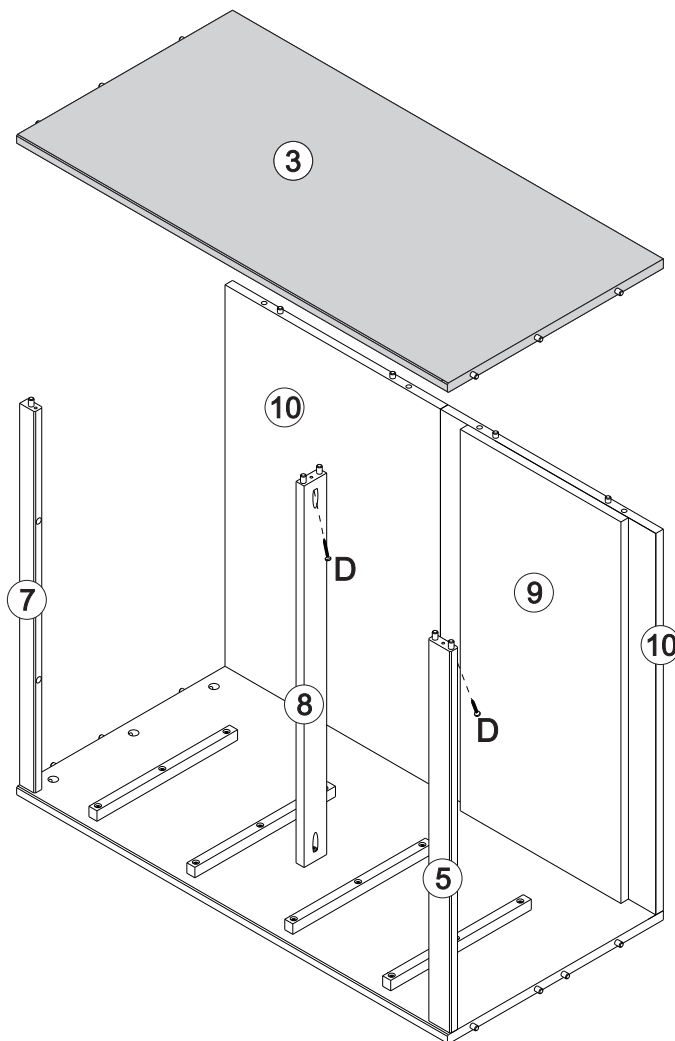
Name and address of the supplier and date of production.



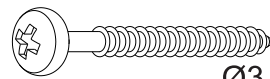
Secure parts 9 and 10 to part 2 with Cam Lock (R) using Phillips head screwdriver.

R		04
$\text{Ø}15 \times 12\text{mm}$		

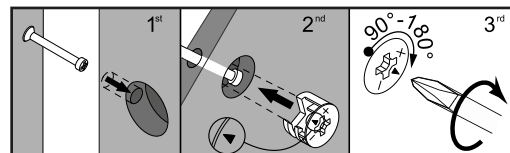
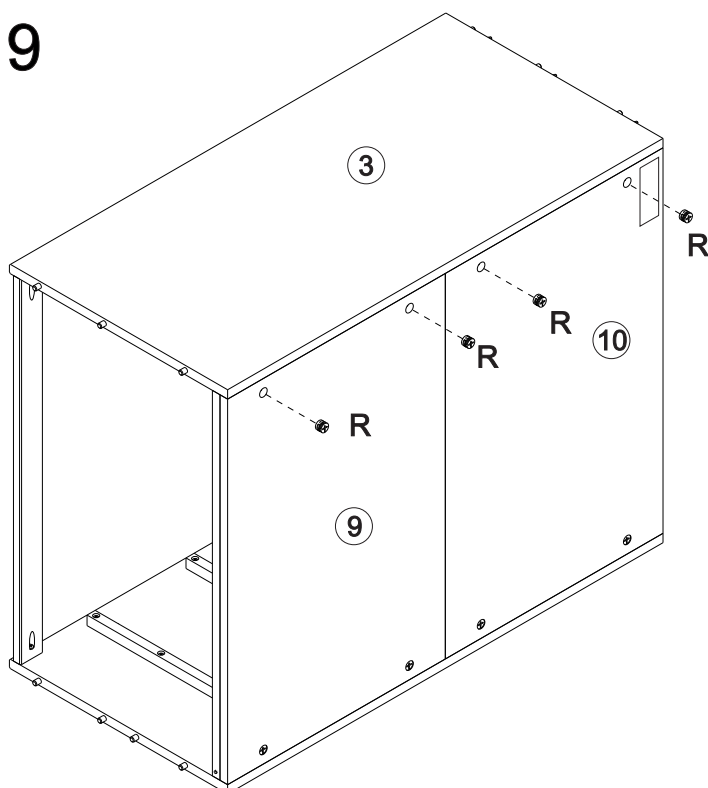
Step 8




Join parts 5,7,8,9 and 10 to part 3, secure part 5 and 8 with screw (D) using Phillips head screwdriver.

D		02
Ø3,5*30mm		

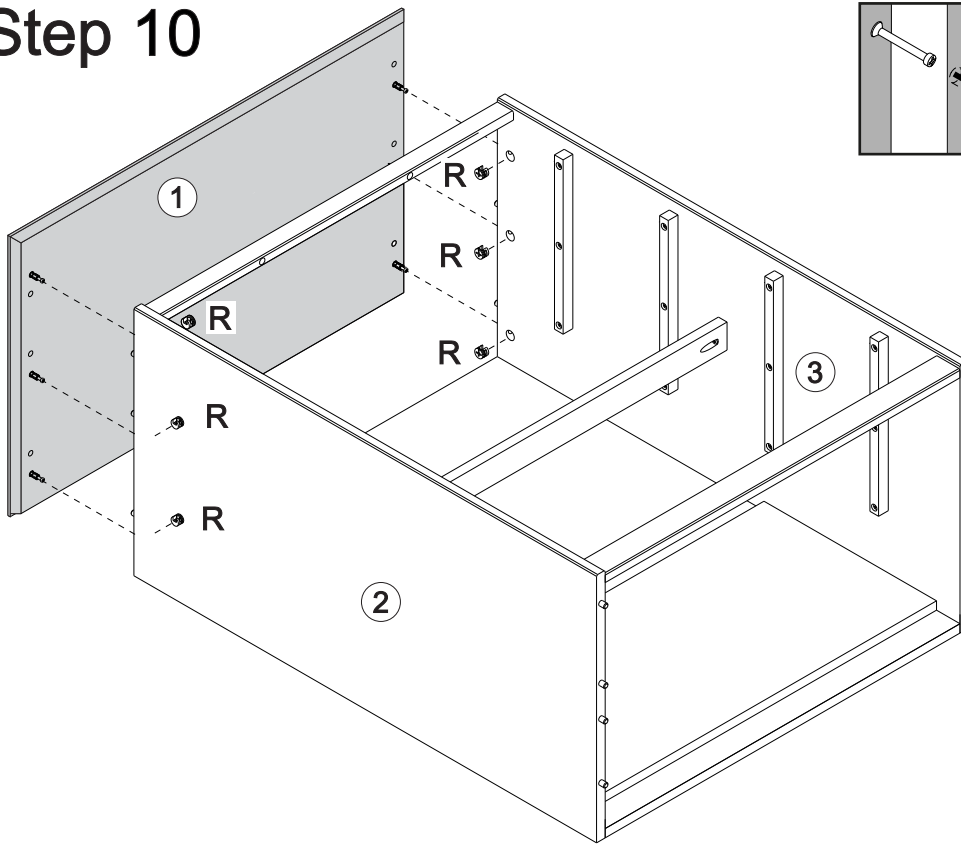
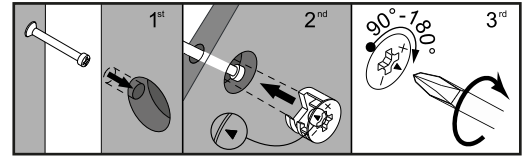
Step 9




Secure parts 9 and 10 to part 3 with Cam Lock (R) using Phillips head screwdriver.

R		04
ø15*12mm		

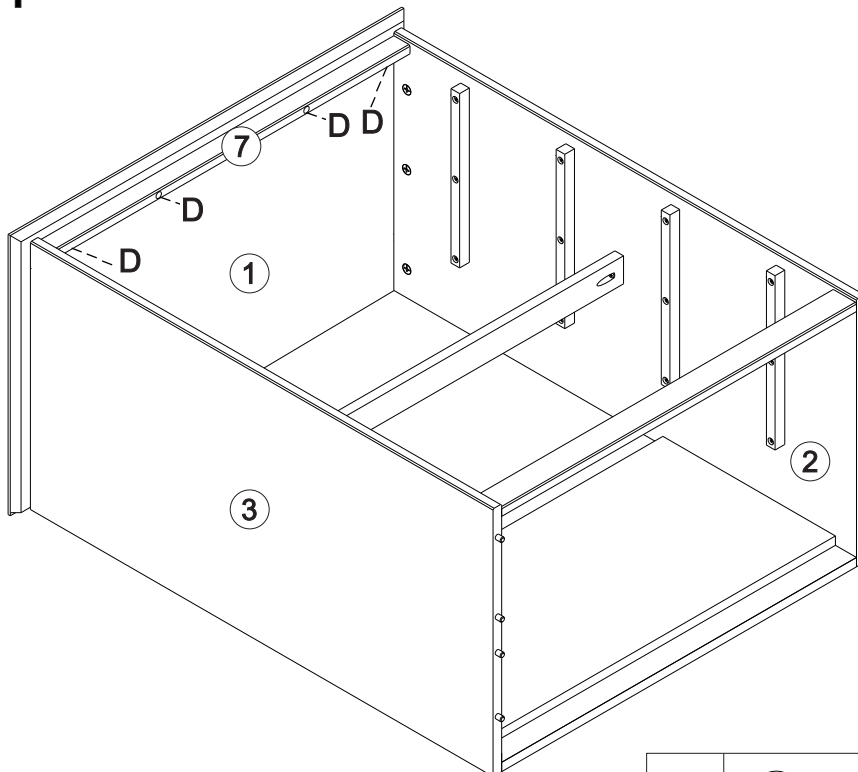
Step 10




Secure part 1 to parts 2 and 3, with Cam Lock (R), using Phillips head screwdriver.

R		ø15*12mm	06
---	---	----------	----

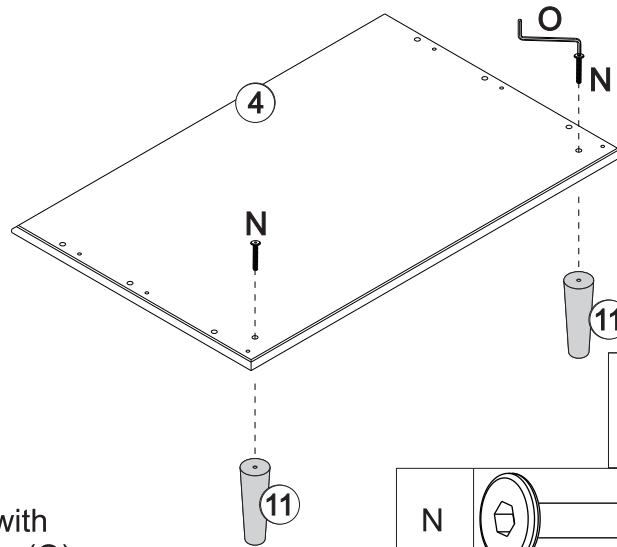
Step 11



Secure part 7 to parts 1, 2 and 3 with screw (D) using a Phillips head screwdriver.

D		Ø3,5*30mm	04
---	---	-----------	----

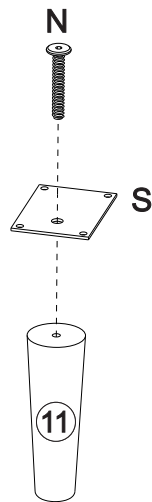
Step 12



Secure part 11 to part 4 with screw (N) using a hex key (O).

O		01
N		02

Step 13

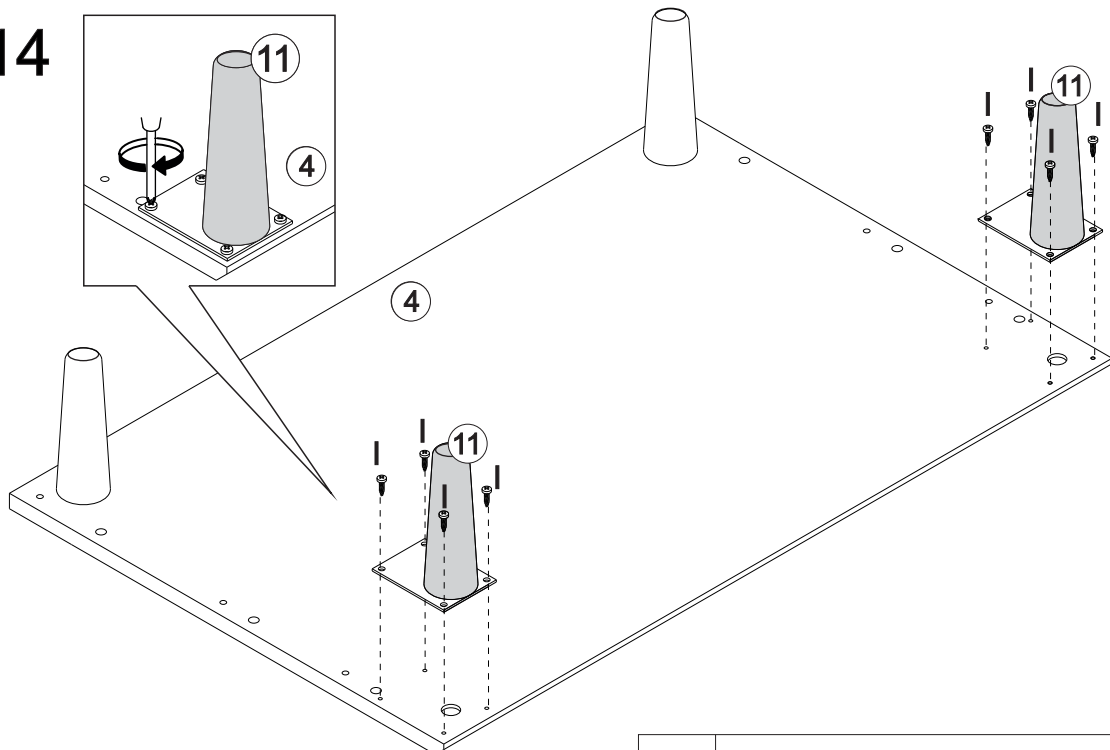


X2

O		01
N		02
S		02

Secure part 11 to hardware (S) with screw (N) using a hex key (O).

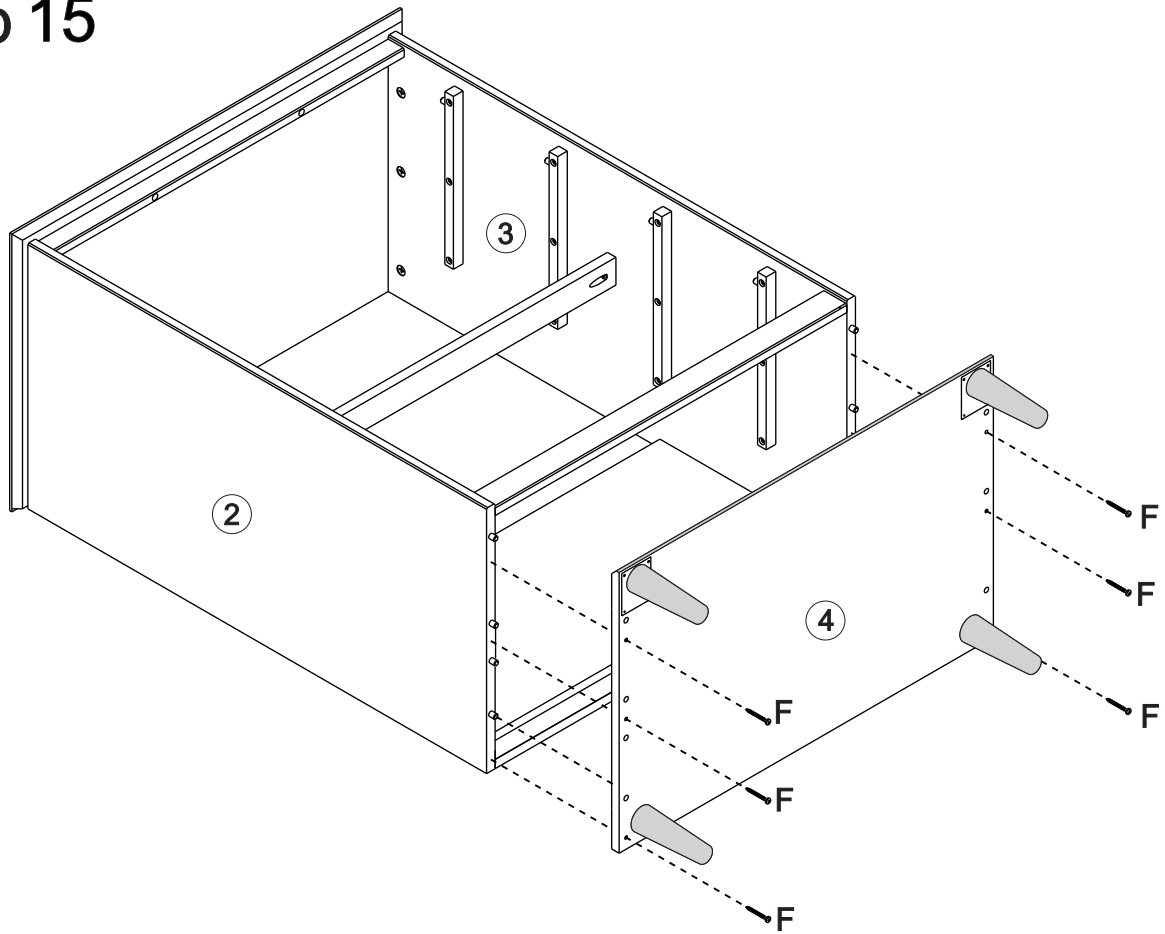
Step 14



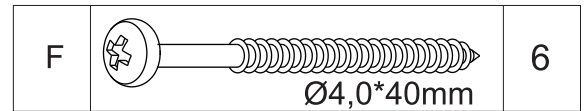
Secure part 11 to part 4 with screw (I) using a Phillips head screwdriver.

I		08
---	--	----

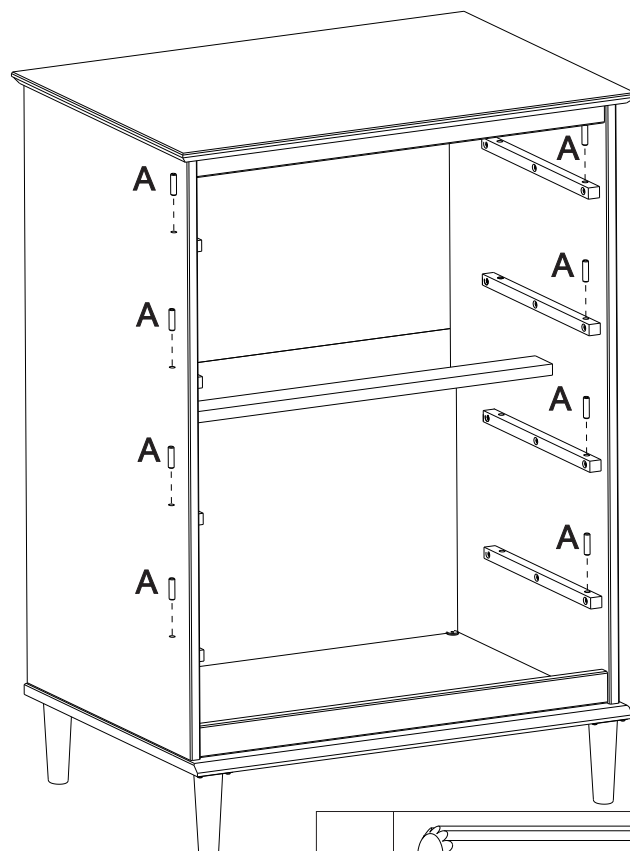
Step 15



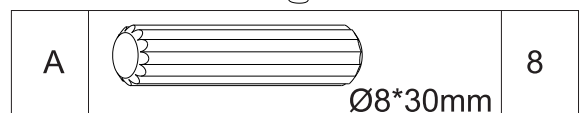
Secure part 4 to parts 3 and 2 with screw (F) using a Phillips head screwdriver.



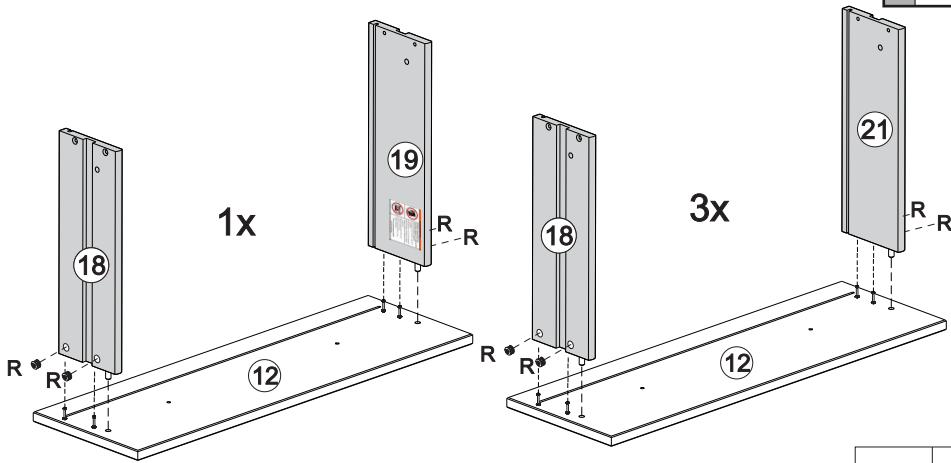
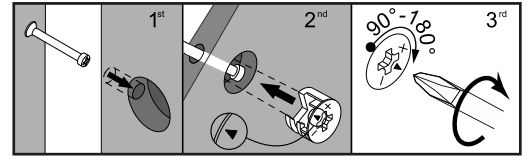
Step 16



Insert wood dowel (A) into the front hole in the wood sliders 17.



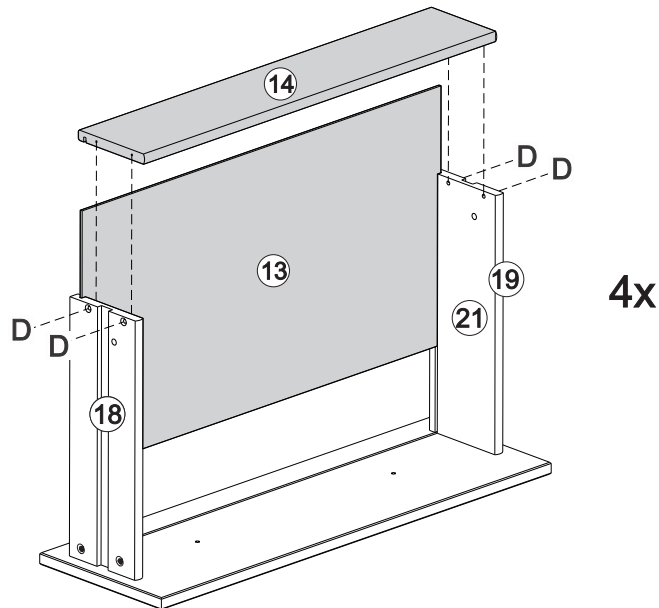
Step 17



Secure parts 21, 19 and 18 to parts 12 with Cam lock (R) using a Phillips head screwdriver.

R		ø15*12mm	16
---	--	----------	----

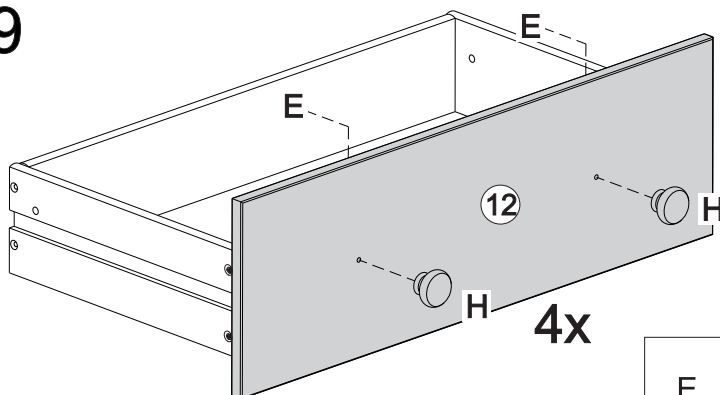
Step 18



Insert part 13 into parts 18, 19 and 21 grooves secure part 14 with screw (D) using a Phillips head screwdriver.

D		Ø3,5*30mm	16
---	--	-----------	----

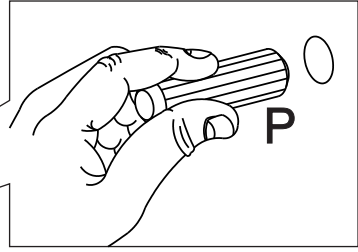
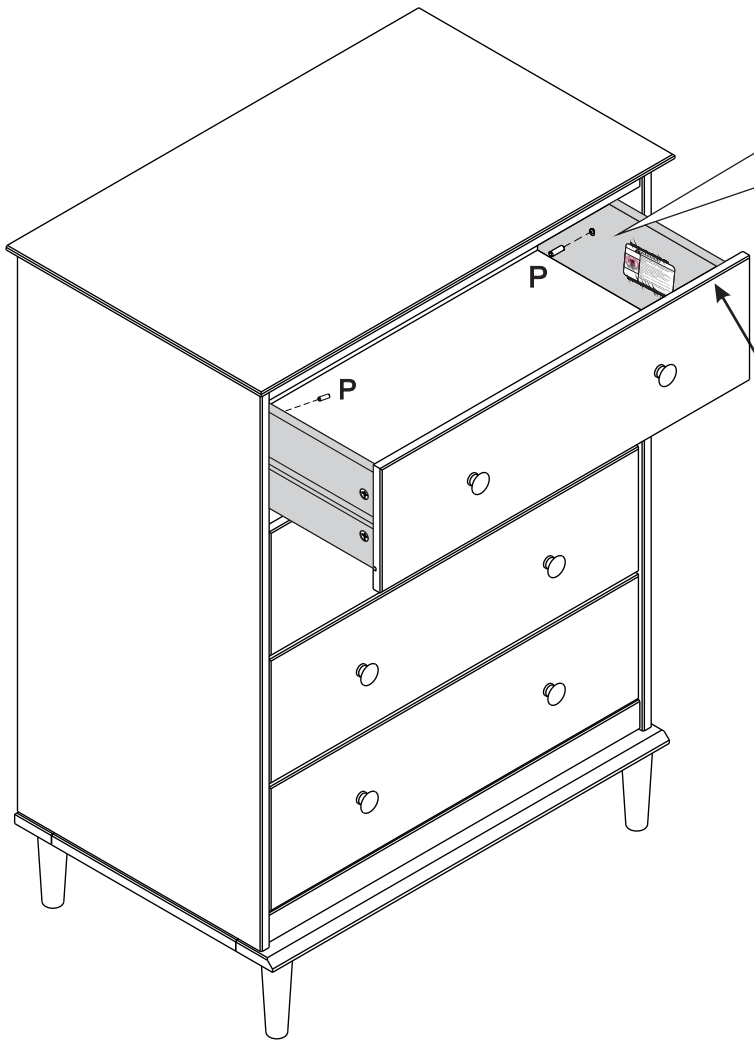
Step 19



Secure knob (H) to part 12 with screw (E) using a Phillips head screwdriver.

E		M4*22mm	08
H			08

Step 20



The assembled drawer with this warning must be placed on top of the unit.

▲ WARNING

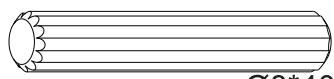
Children have died from furniture tipover. To reduce the risk of furniture tipover:

- ALWAYS install tipover restraint provided.
- NEVER put a TV on this product.
- NEVER allow children to stand, climb or hang on any drawers, doors, or shelves.
- Never open more than one drawer at a time.
- Place heaviest items into the lowest drawers.

This is a permanent label. Do not remove!



Insert wood dowel (P) on the inside of all drawers, with the drawer inside the unit, after having passed the wood dowel that is in the drawer slide. The dowel is not flush with the panel, it is a little inside the drawer to help when you need to remove the lock dowel to remove the drawer.

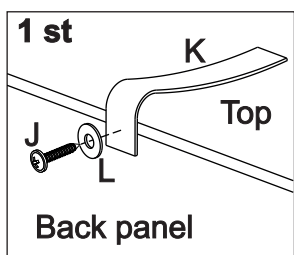
P		08
Ø8*40mm		

Step 21

WARNING

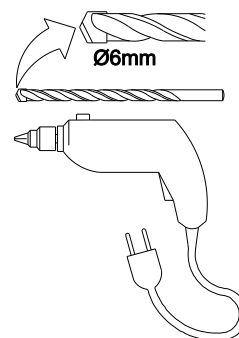
Serious or fatal injuries can occur from furniture tipping over. To prevent the furniture from tipping over we recommend that it is permanently fixed to the wall.

Wall anchor and hardware are included with this product. Please make sure hardware is suitable for your walls before installing, as different wall materials may require different types of anchors.



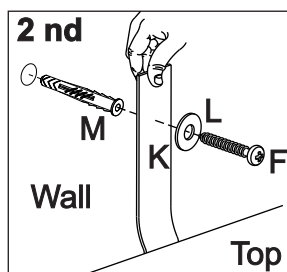
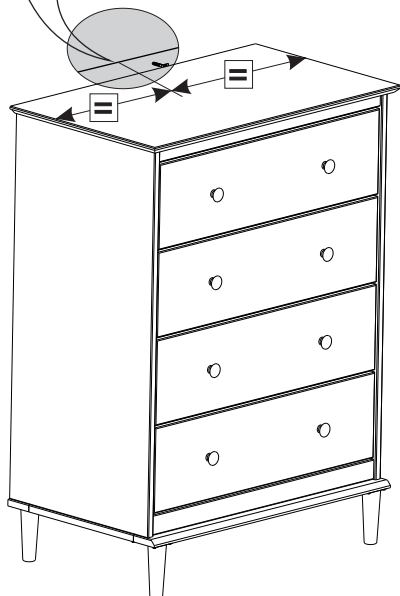
1st

Attach part (K) with Screw (J) and Washer (L), in the frame of the top panel unit.



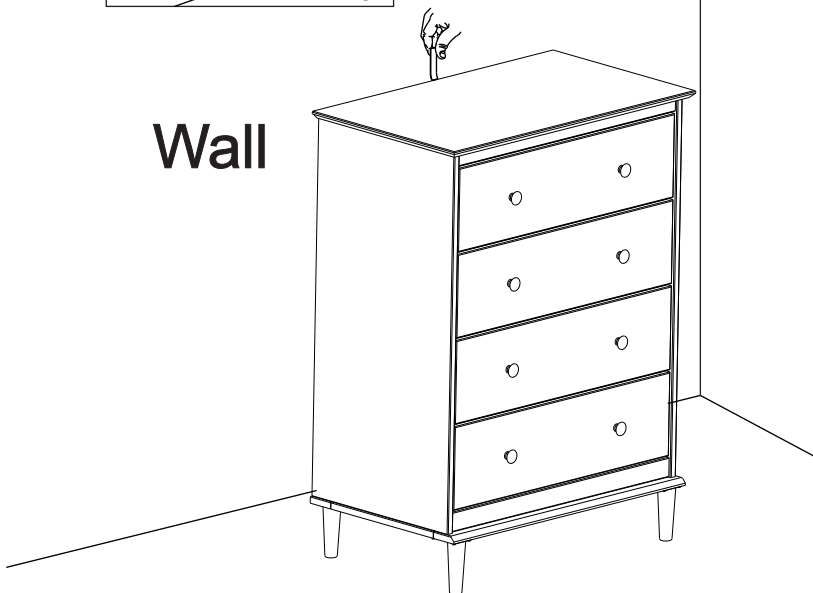
2nd

With the drilling machine make one hole in the wall, Insert part (M) in the hole. Secure part (K) with Screw (F) and Washer (L), in the wall.



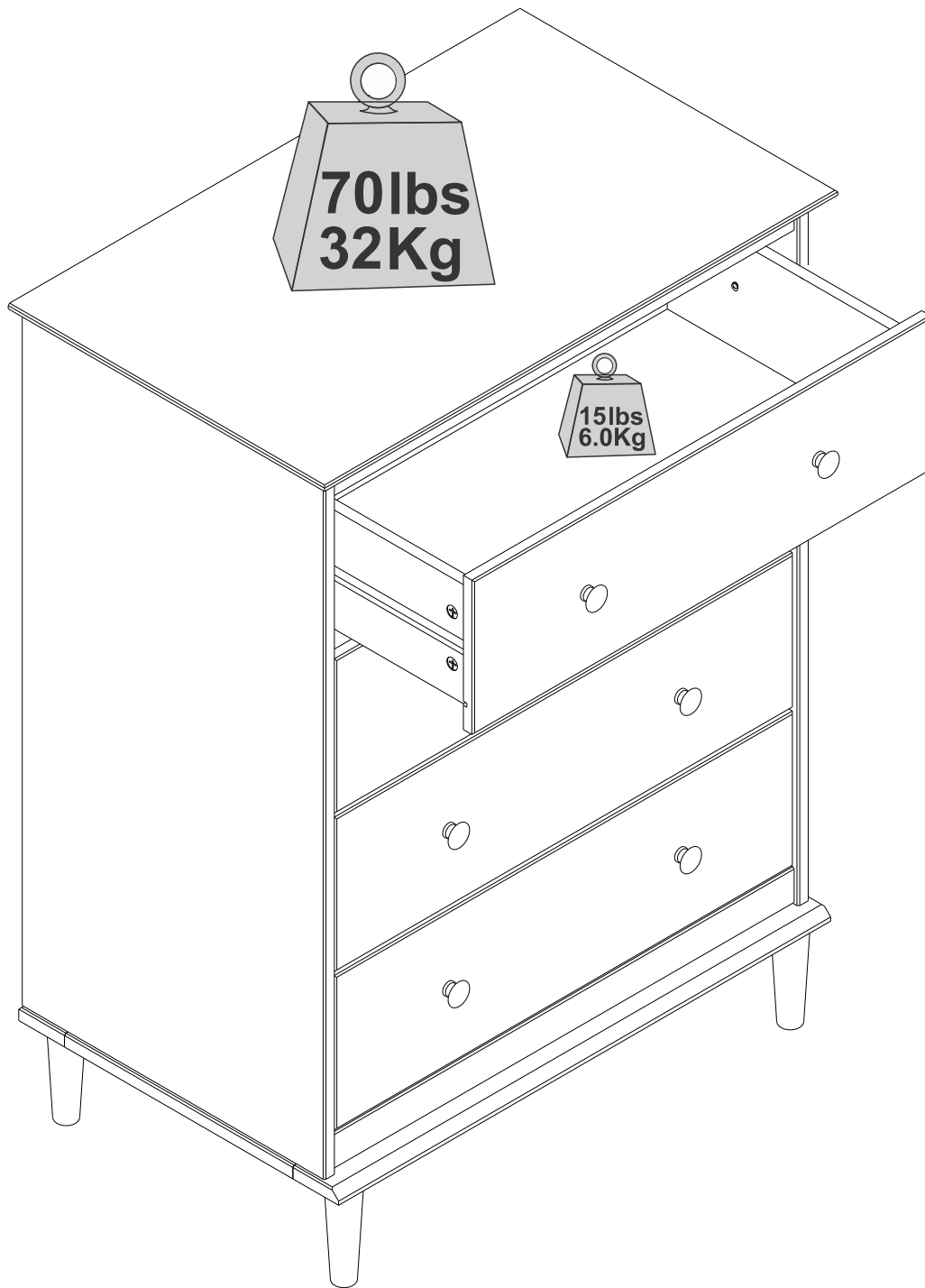
F		01
J		01
K		01
L		02
M		01

Wall



Name and address information for the manufacturer responsible for the anti-tip hardware and date of production can be found on the label on the back of the furniture.

Step 22



Assembly Complete!