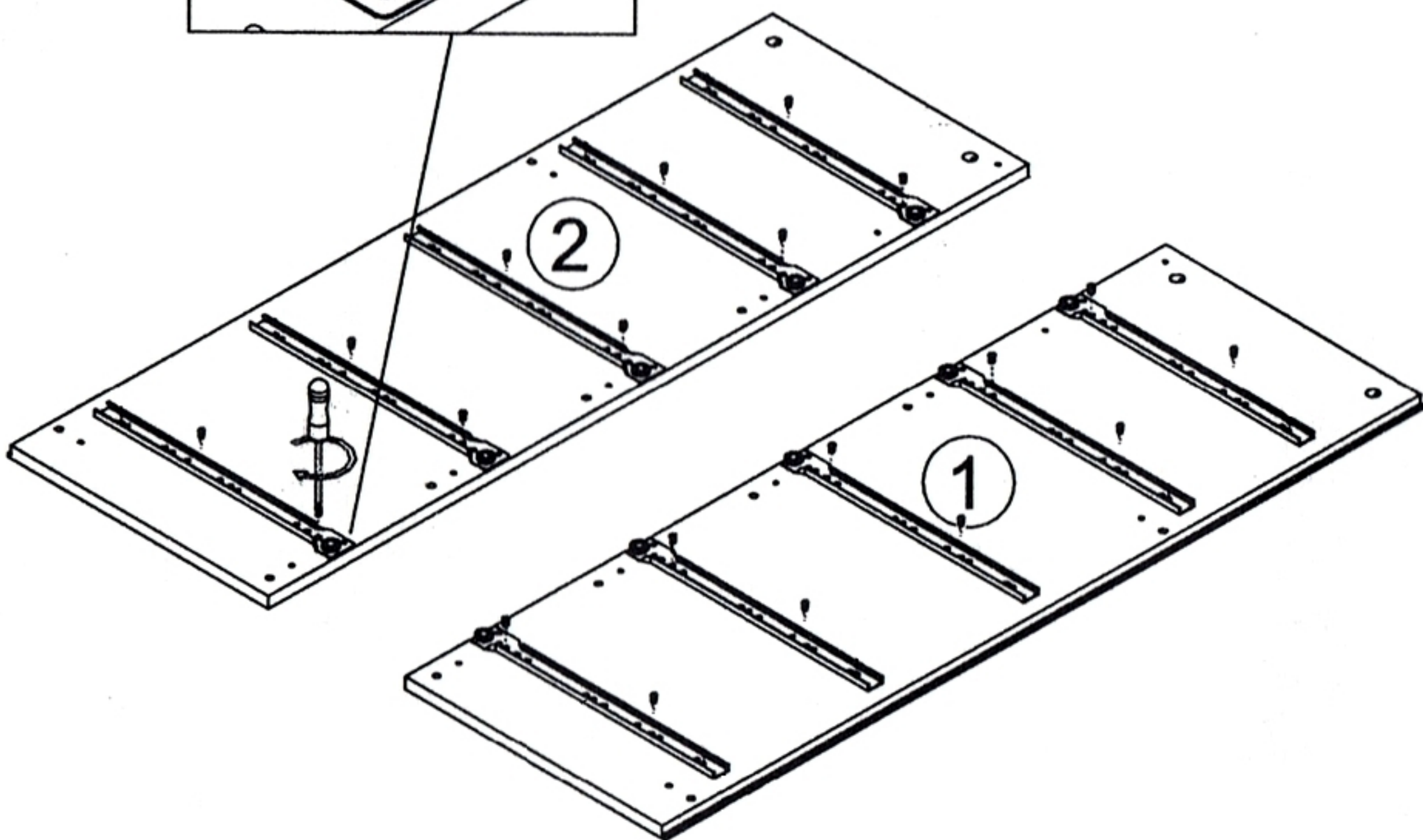
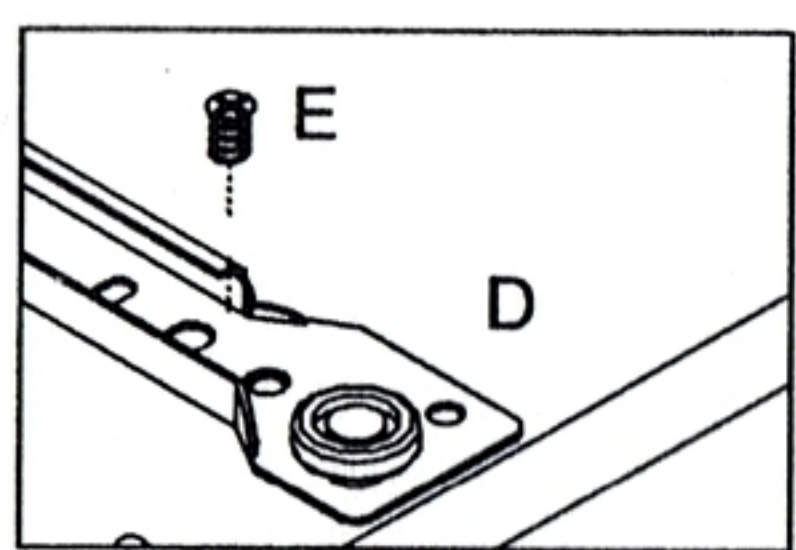
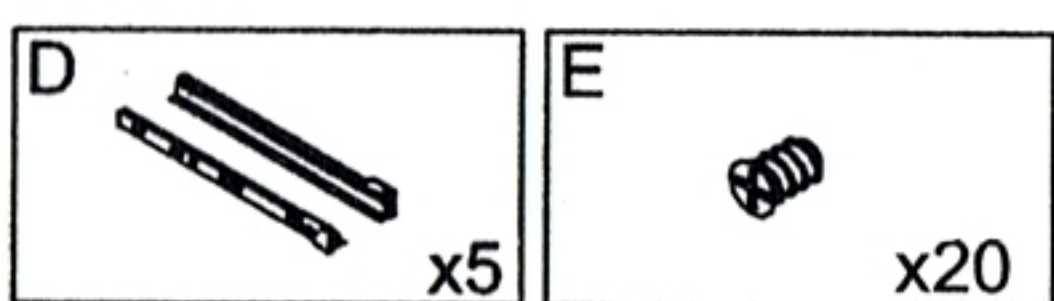
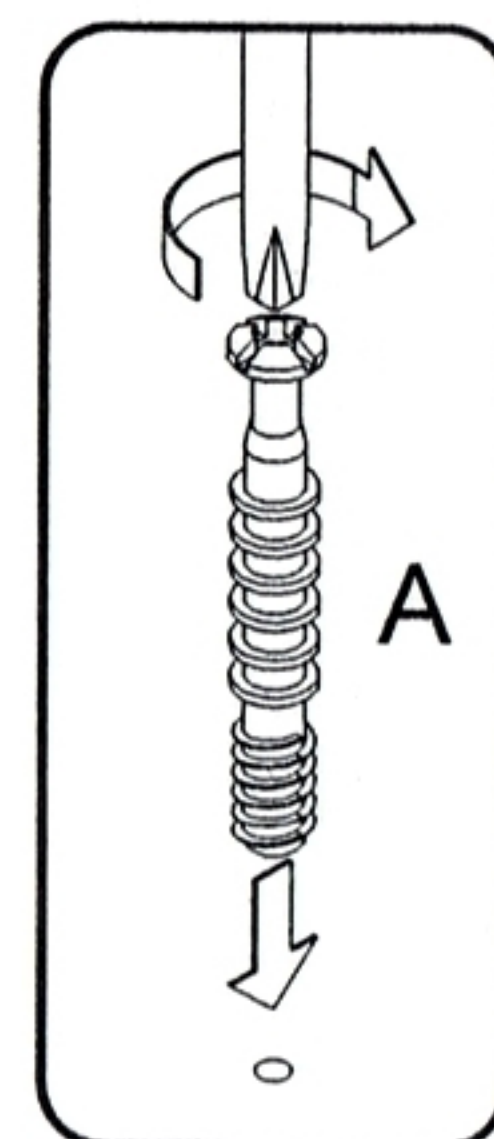
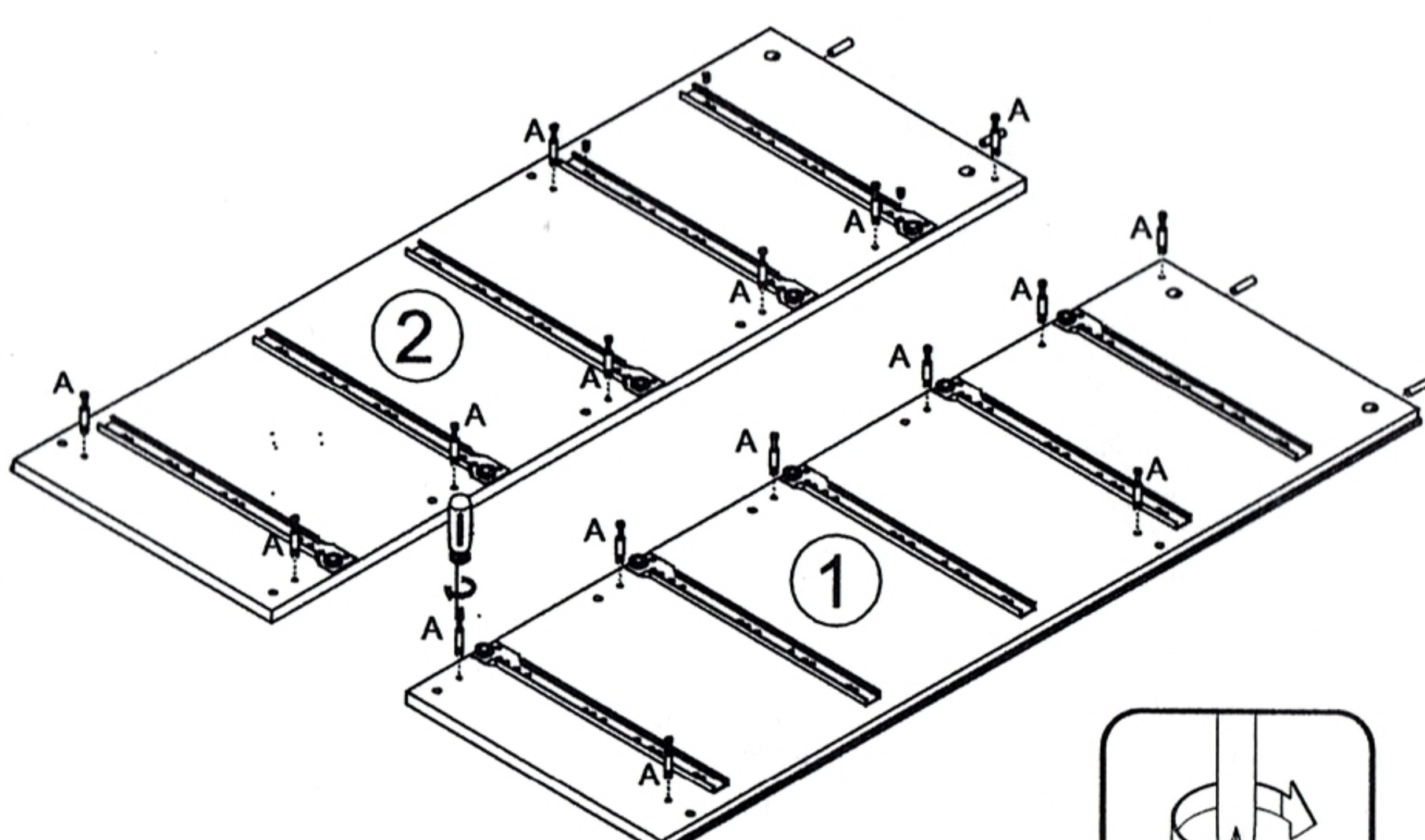
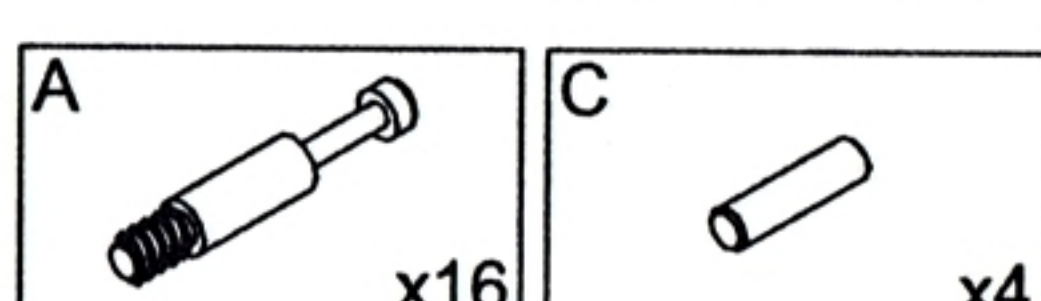


<b>A</b> L=45mm x30	<b>B</b> 12x15mm x30	<b>C</b> 8x35mm x40	<b>D</b> L=400mm x5	<b>E</b> 6x9mm x20	<b>F</b> L=42mm x20
<b>G</b> 3,5x16mm x30	<b>H</b> x4	<b>J</b> x60	<b>I</b> x1	<b>M2</b> x50	<b>ø17mm</b> x10

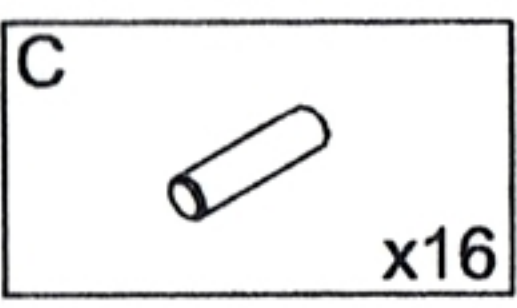
1



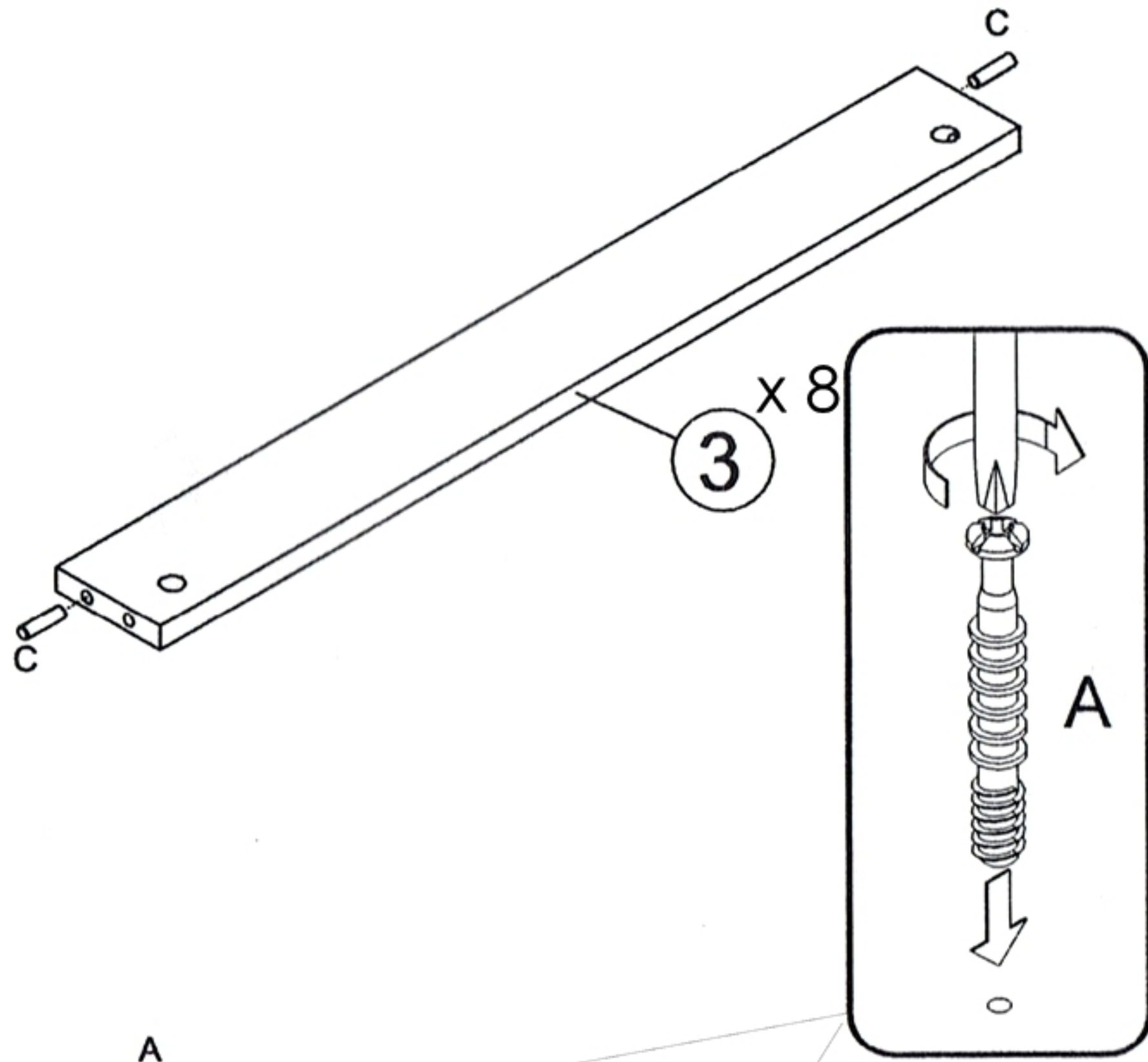
2



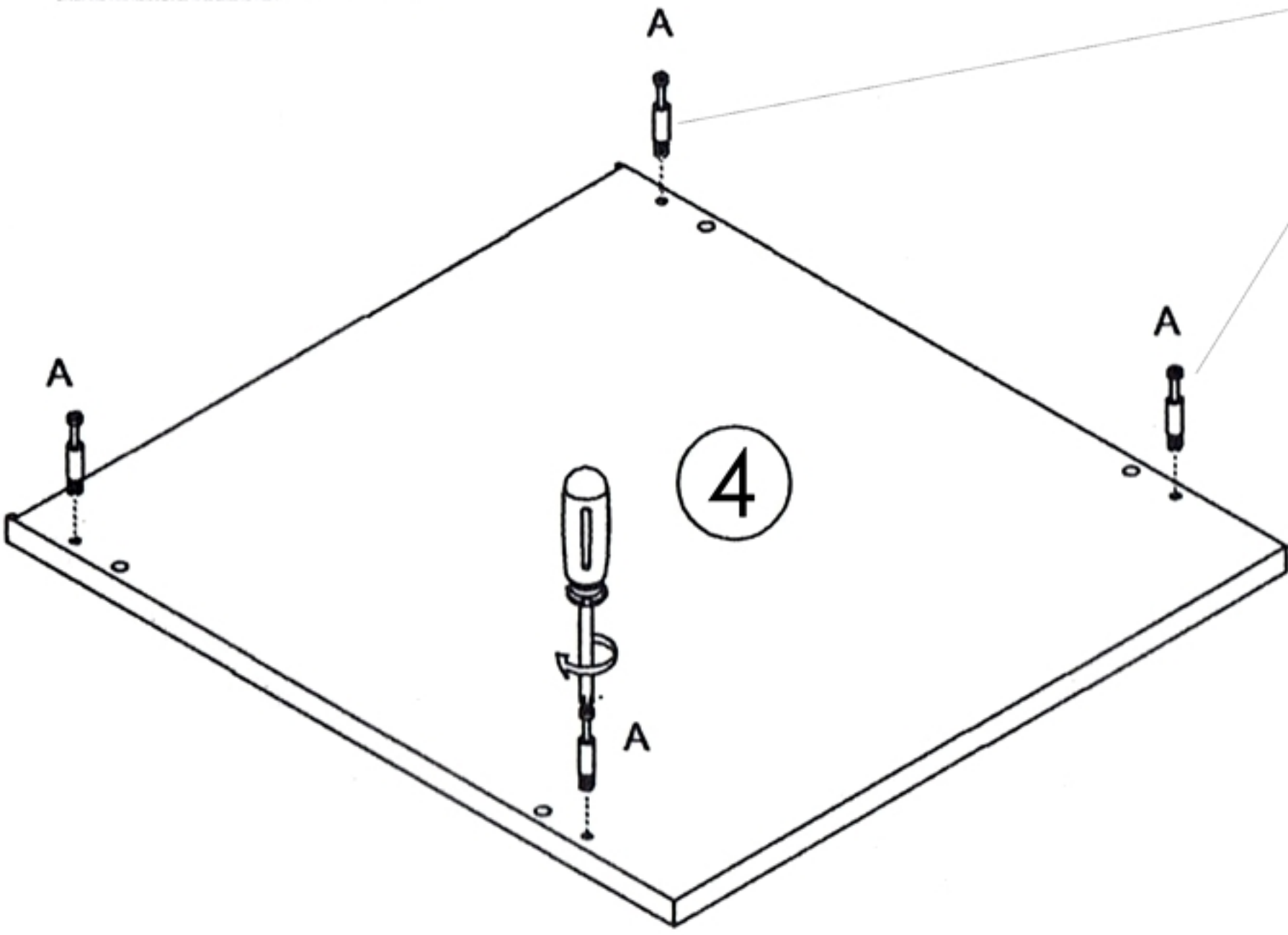
3



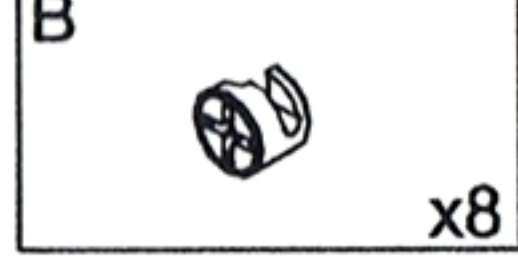
x16



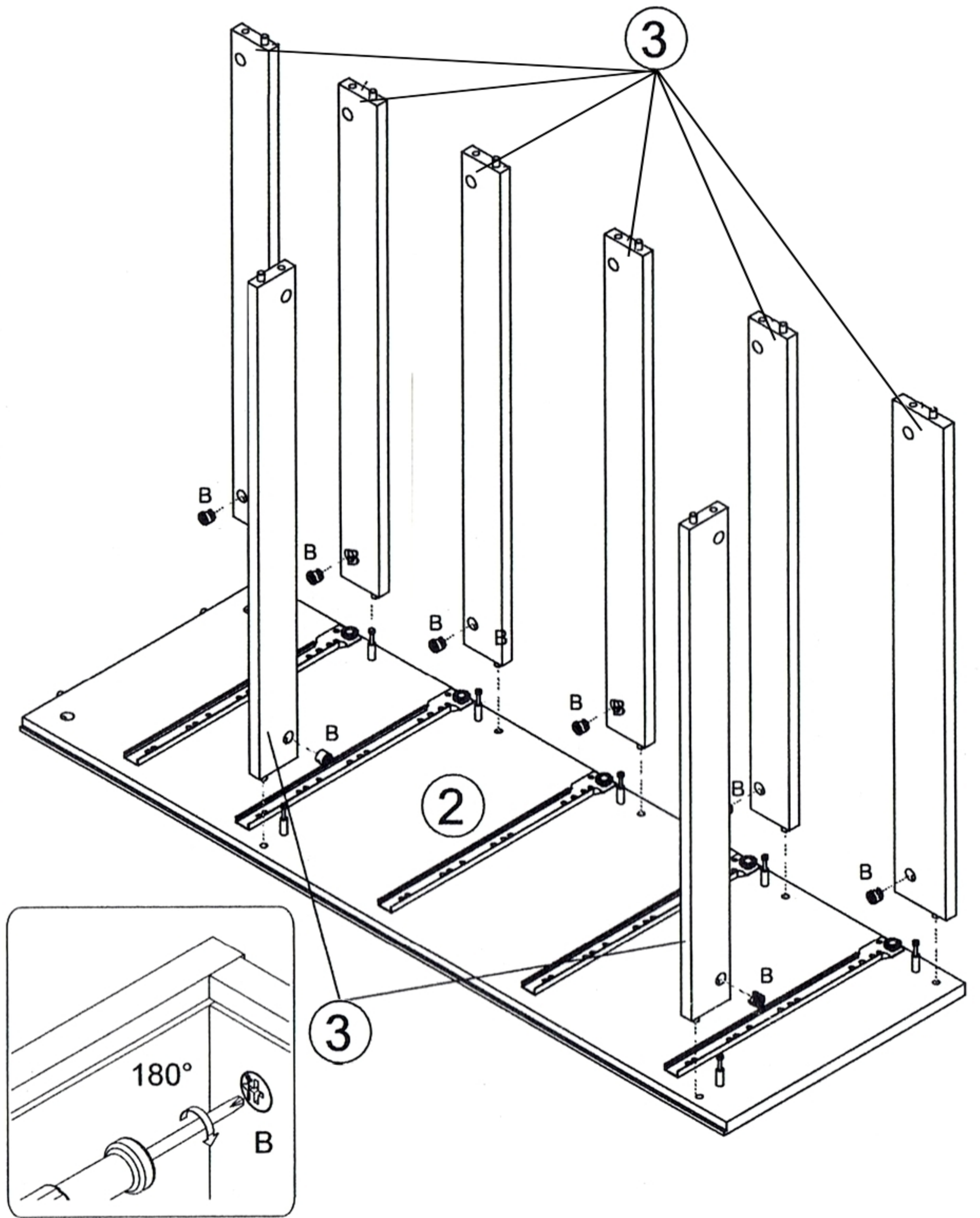
x4



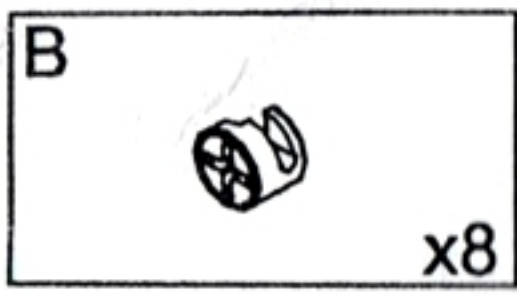
4



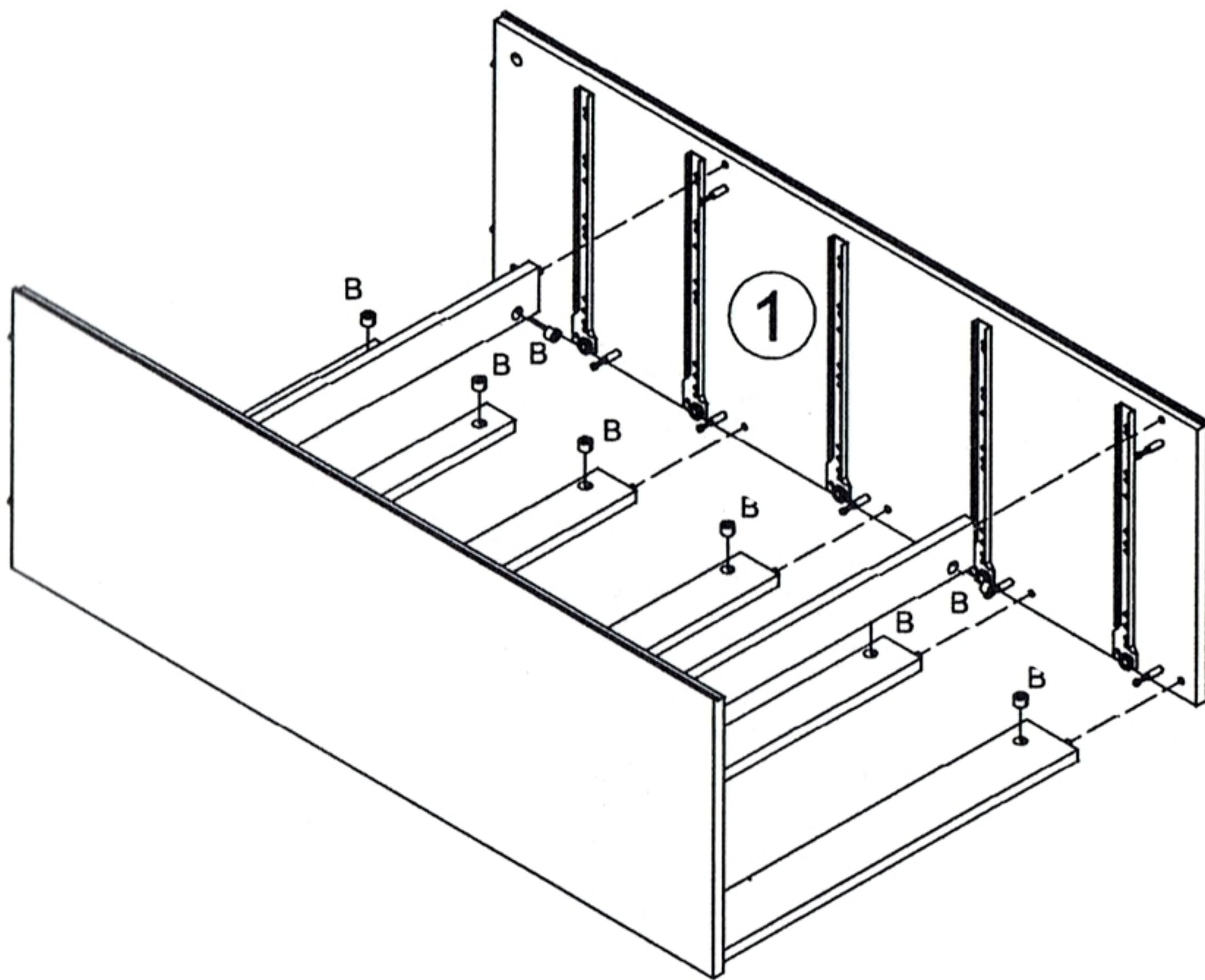
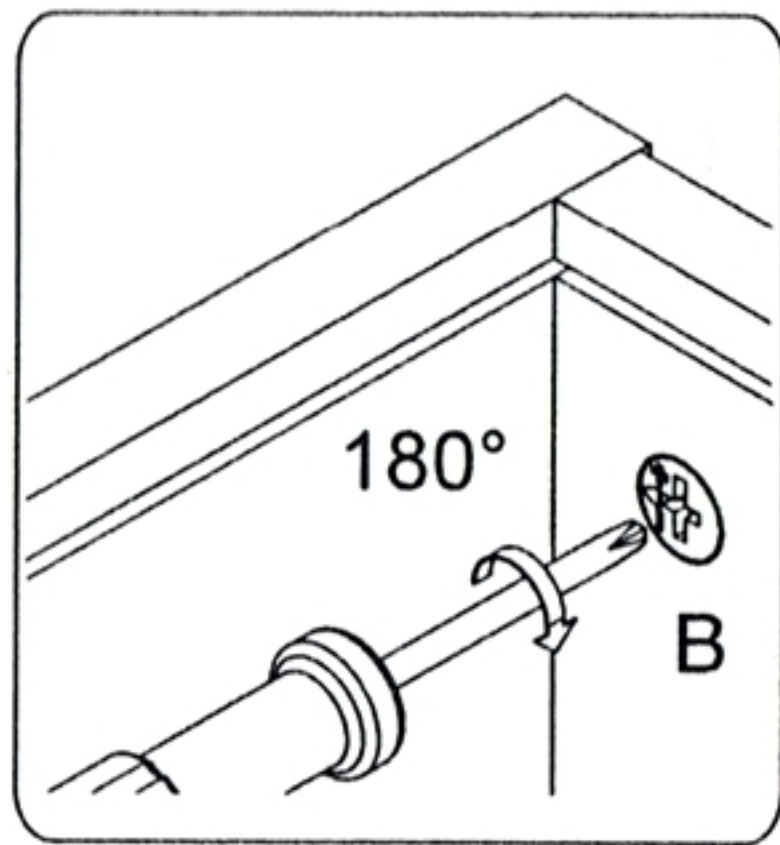
x8



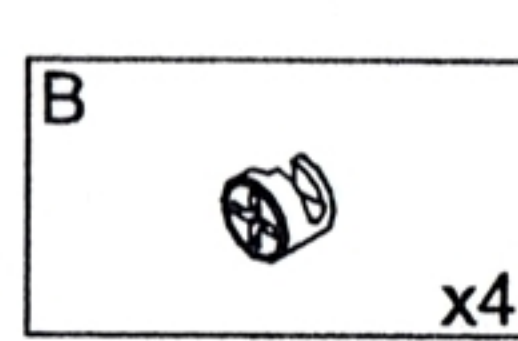
5



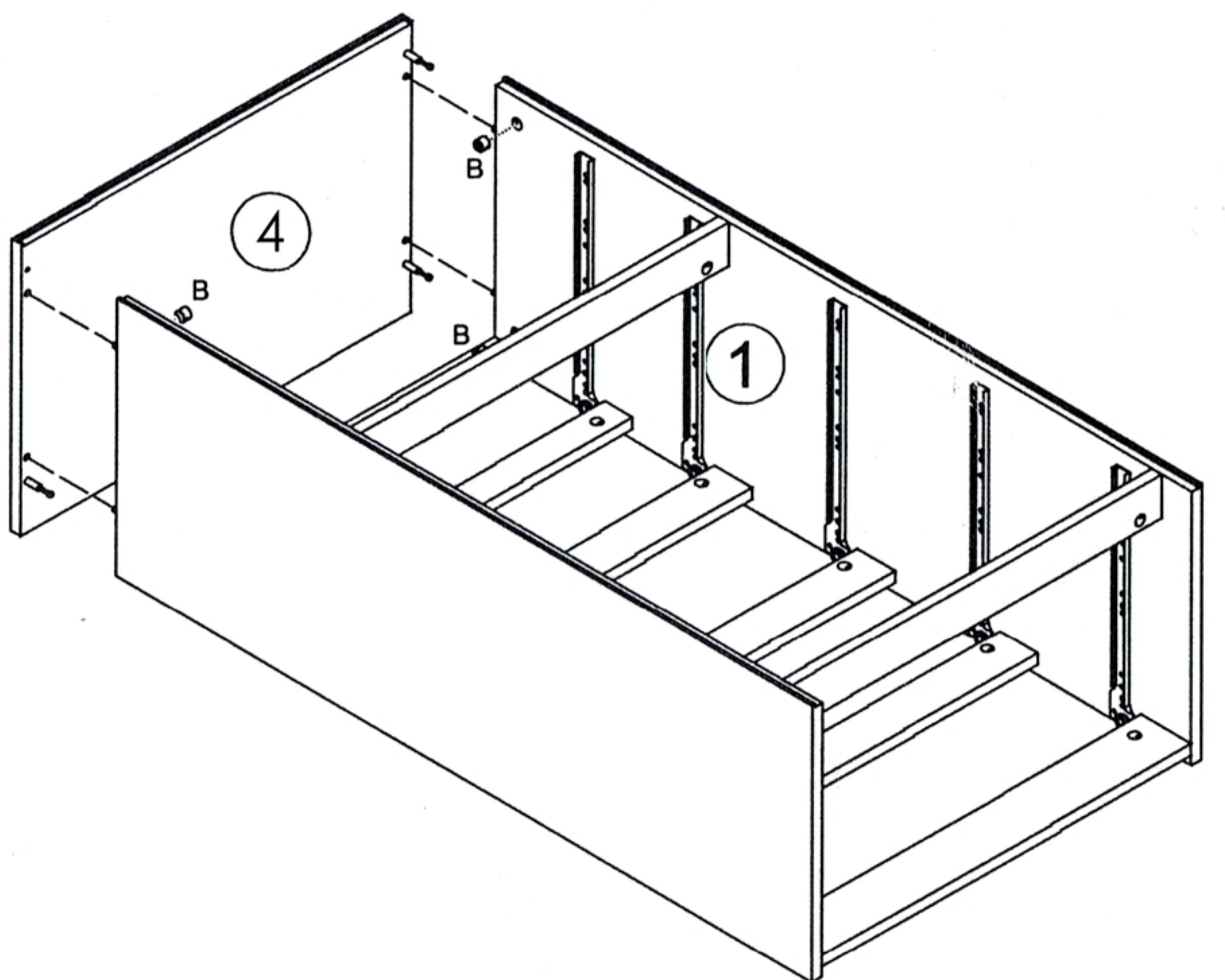
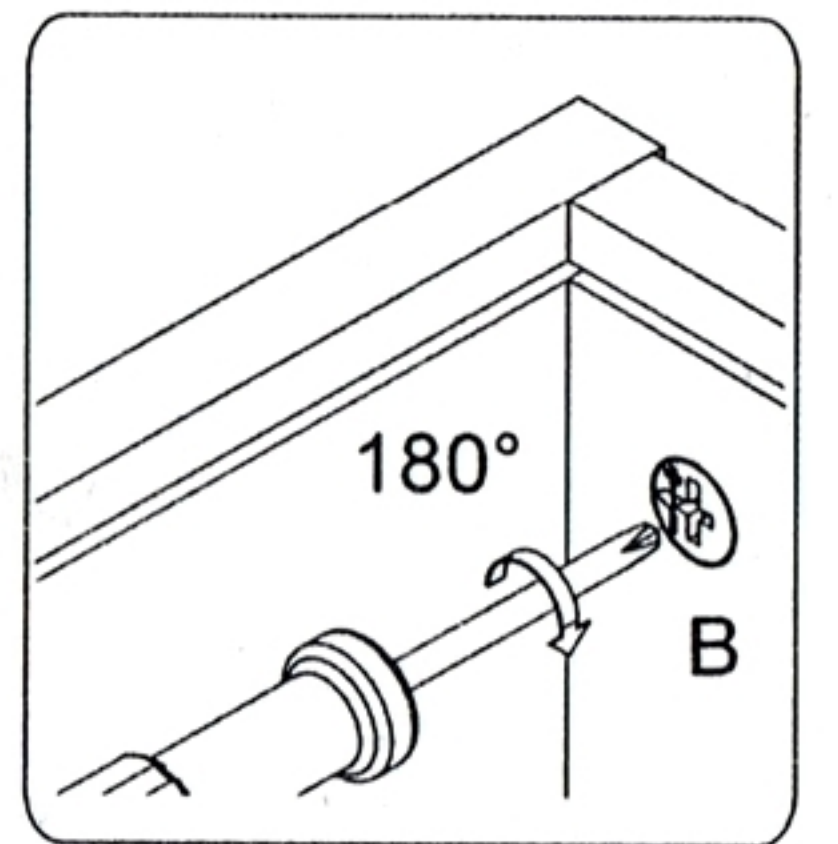
x8



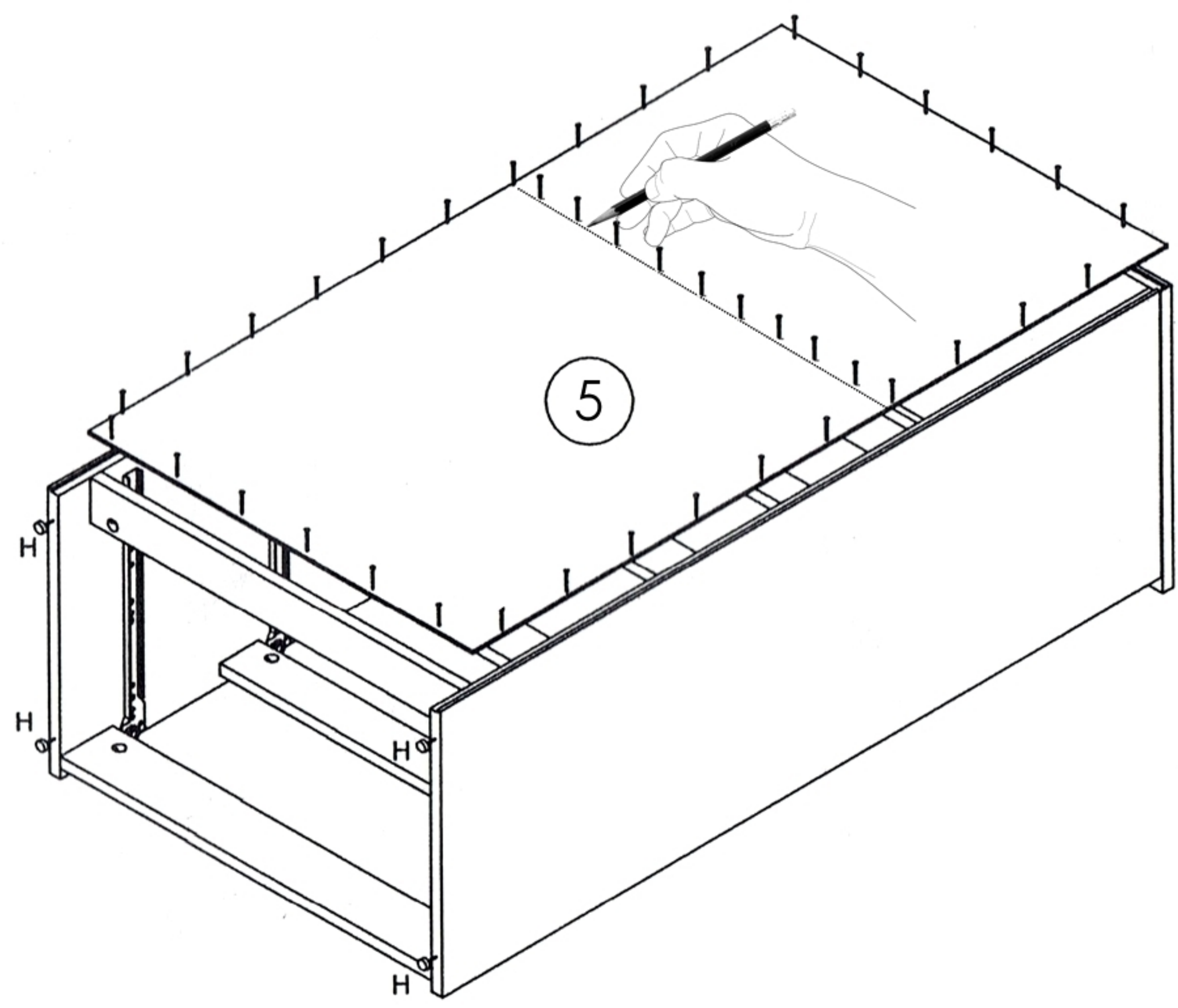
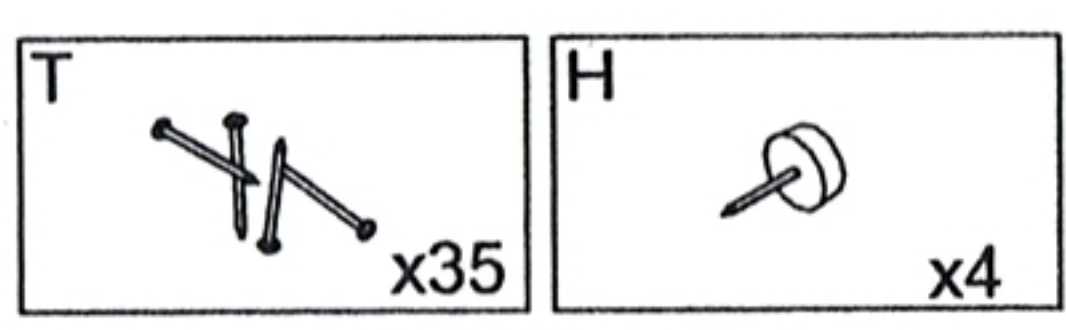
6



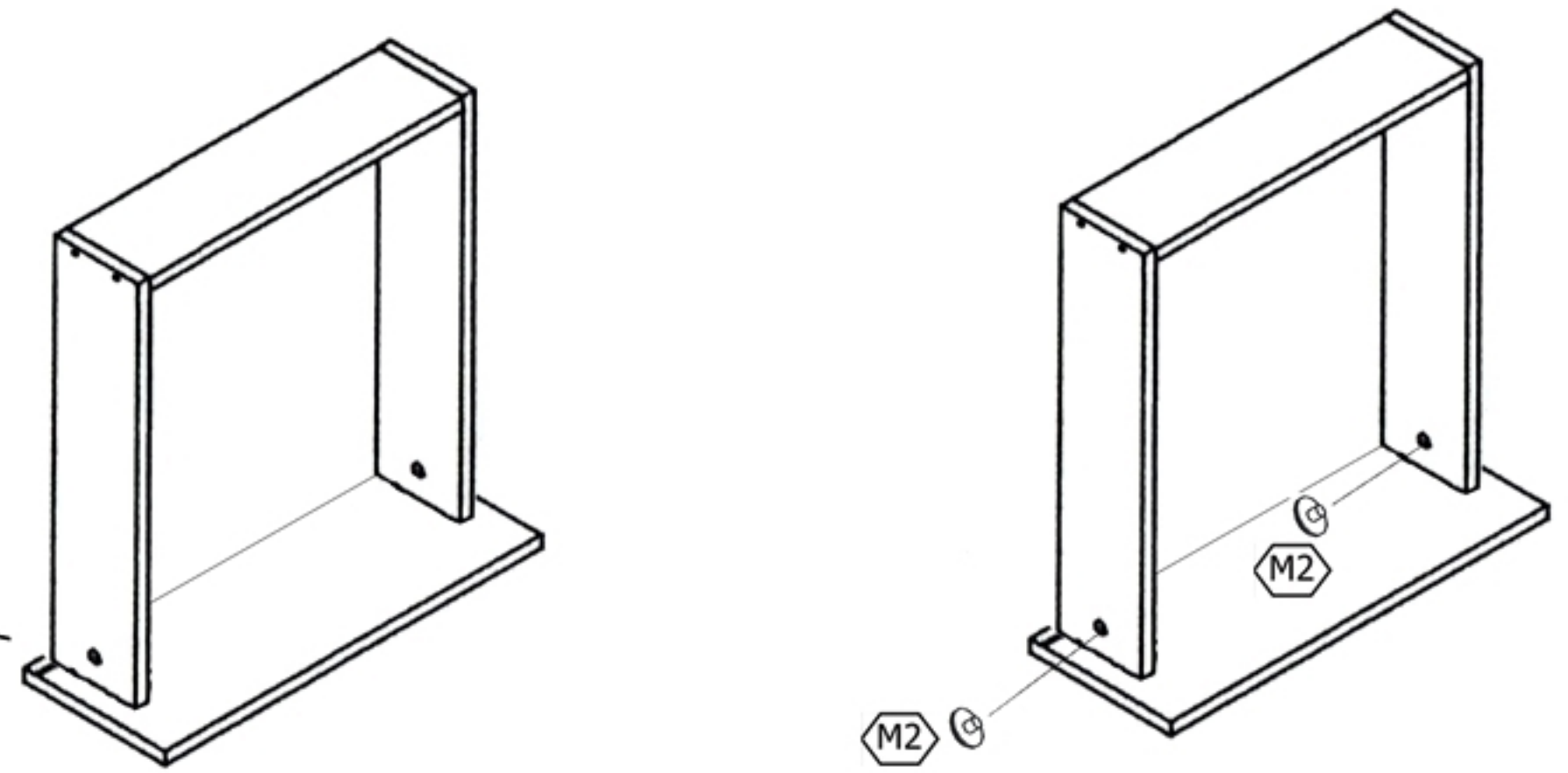
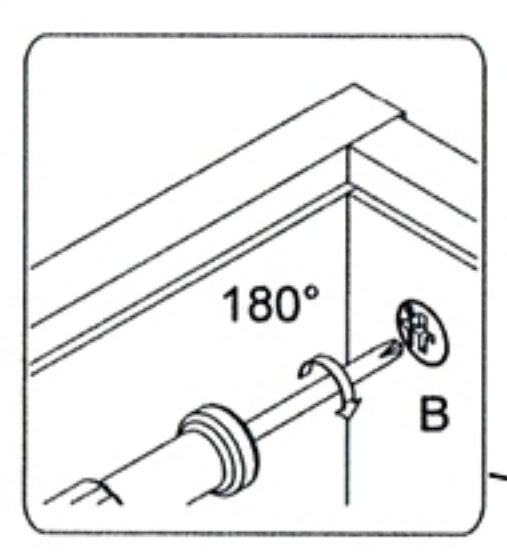
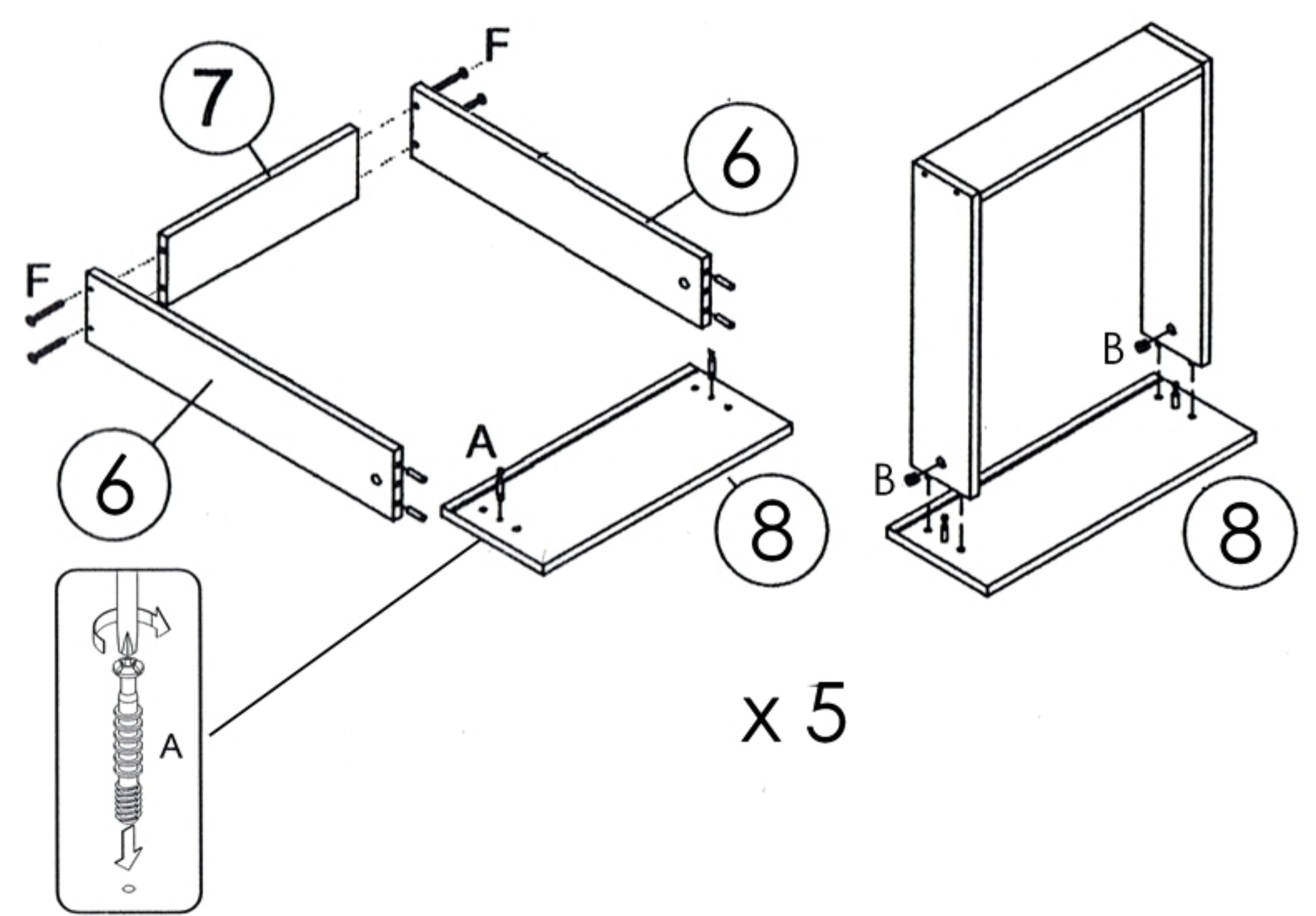
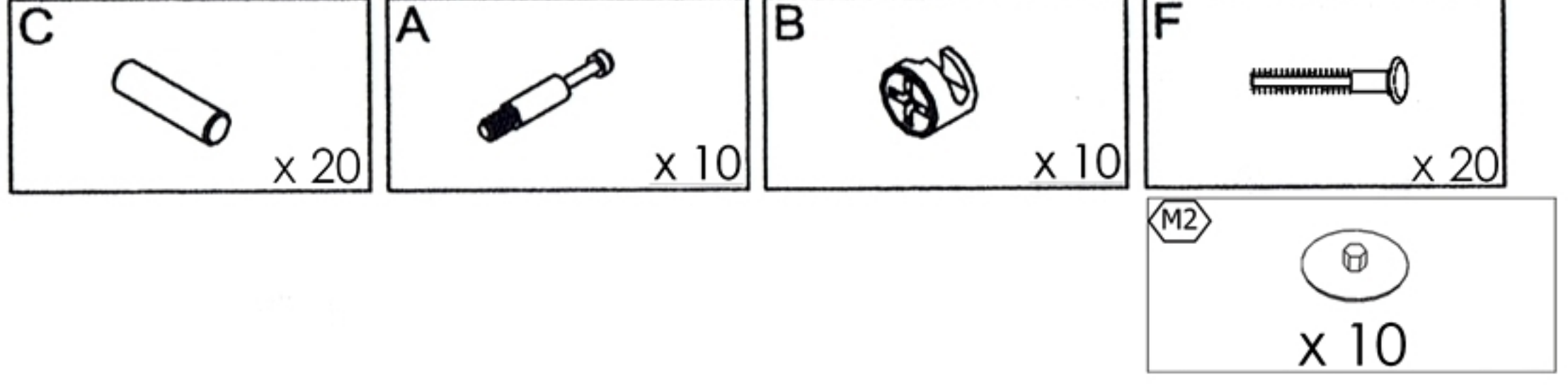
x4



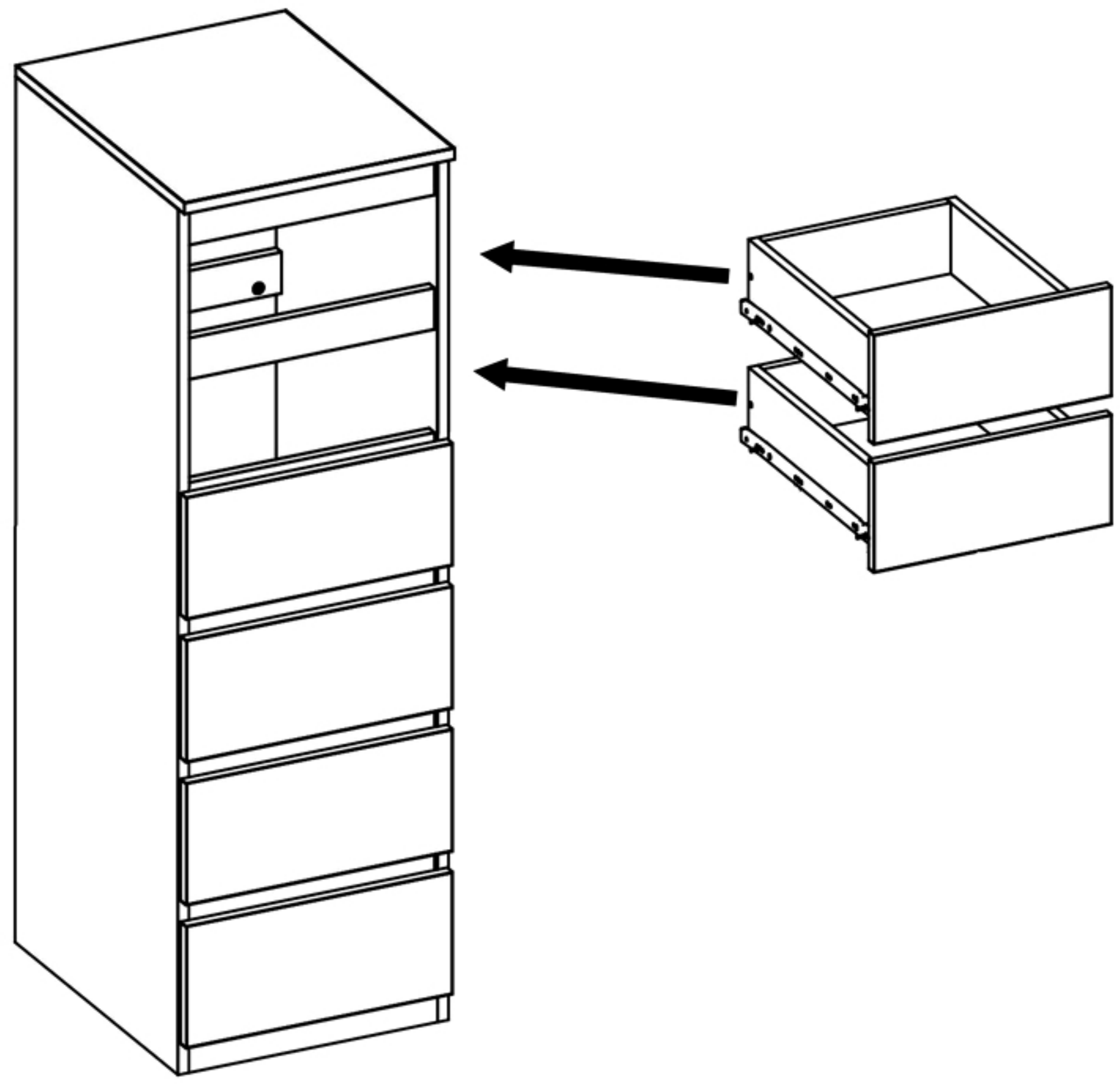
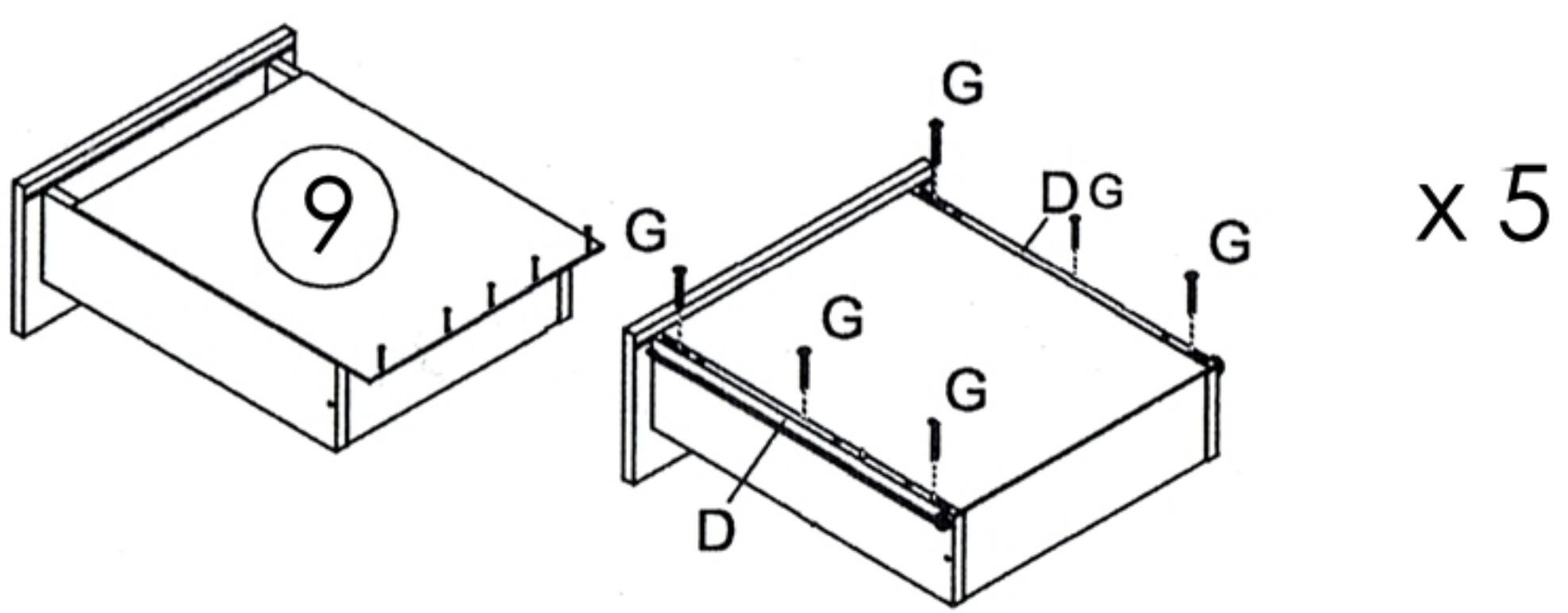
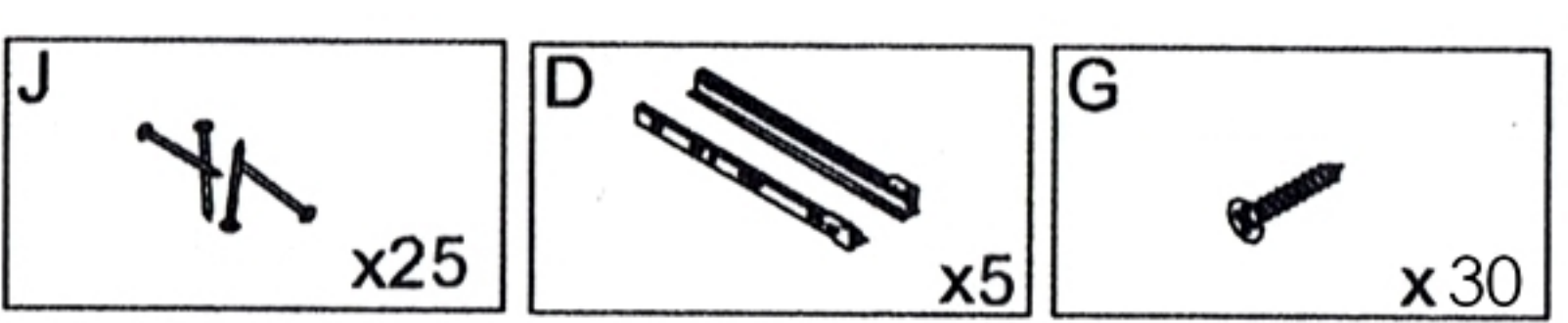
7



8



9



10

