





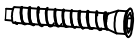
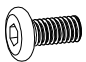



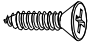

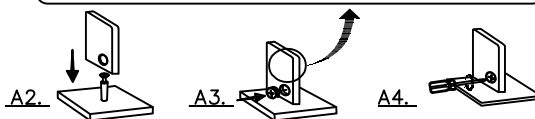
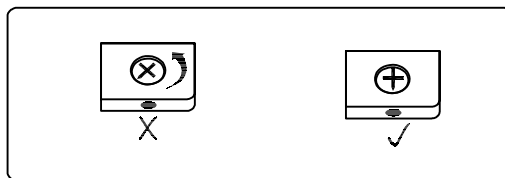
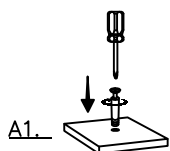
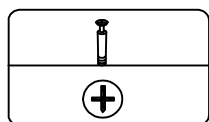
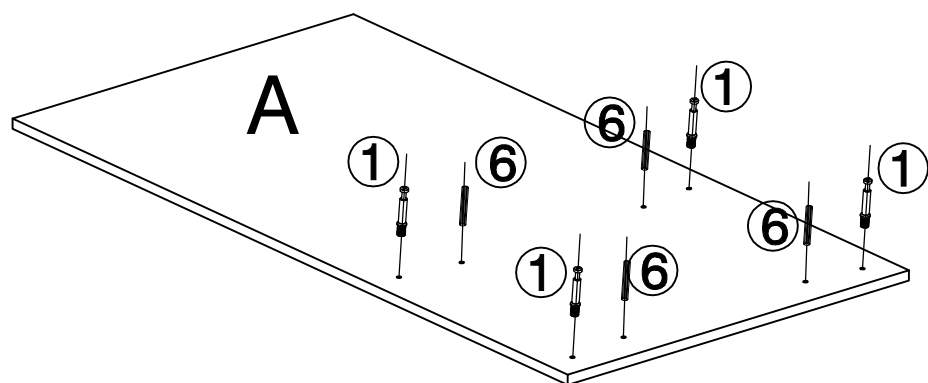


<p>①</p>  <p>X8</p>	<p>②</p>  <p>X8</p>	<p>③</p>  <p>M4X18X2</p>
<p>④</p>  <p>X2</p>	<p>⑤</p>  <p>X1</p>	<p>⑥</p>  <p>X8</p>
<p>⑦</p>  <p>M7X50X4</p>	<p>⑧</p>  <p>M6X12X24</p>	<p>⑨</p>  <p>X1</p>
<p>⑩</p>  <p>M4X14X4</p>	<p>⑪</p>  <p>X4</p>	<p>⑫</p>  <p>M3X14X2</p>
<p>⑬</p>  <p>X1</p>		



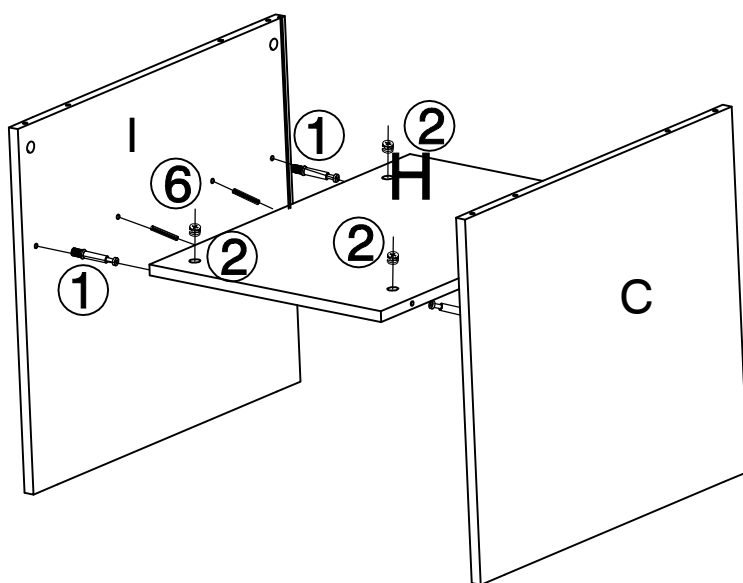
1



① X4

⑥ X4

2

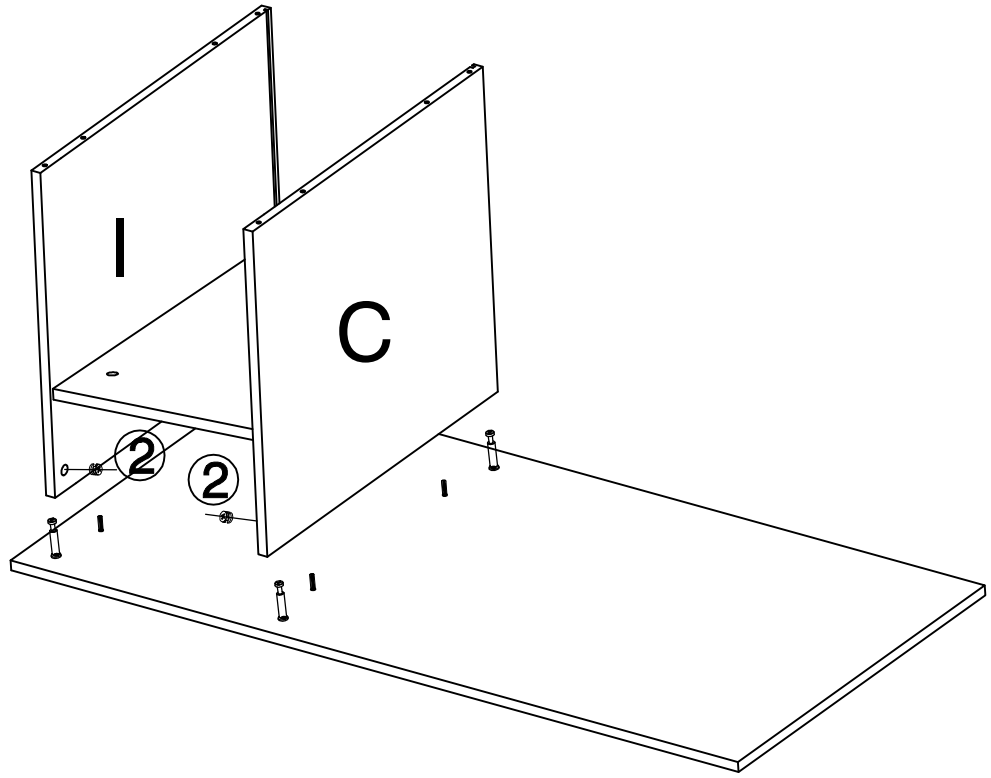


① X4

② X4

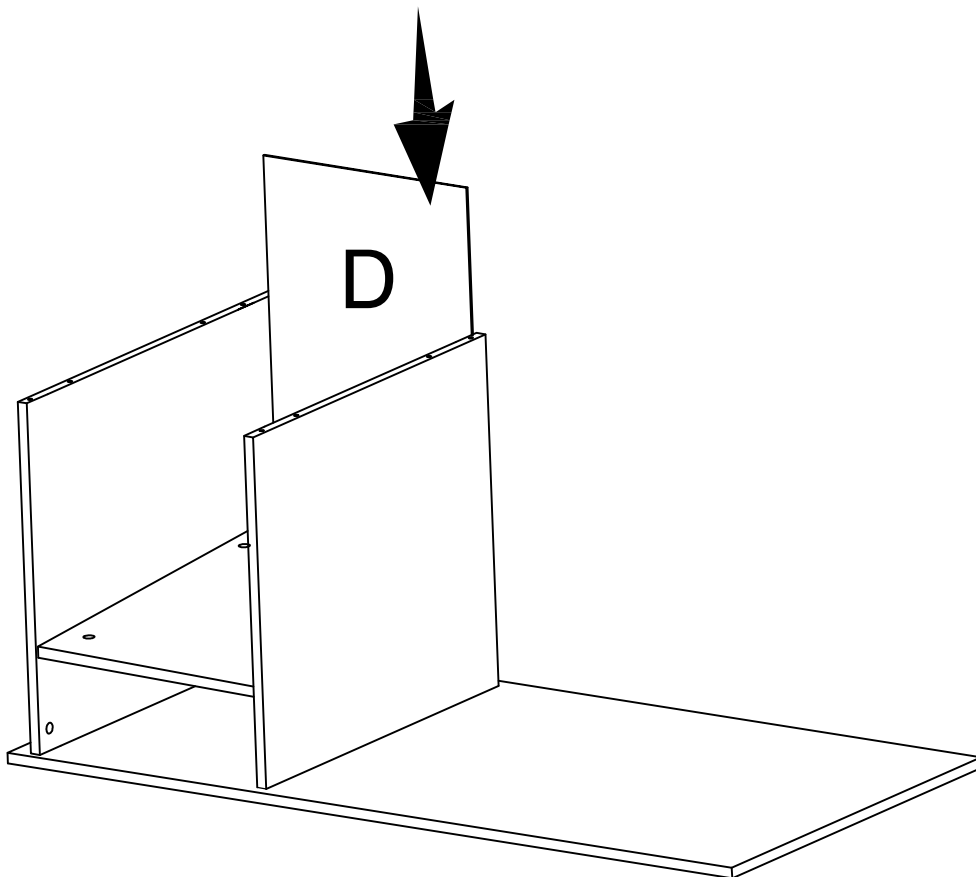
⑥ X4

3

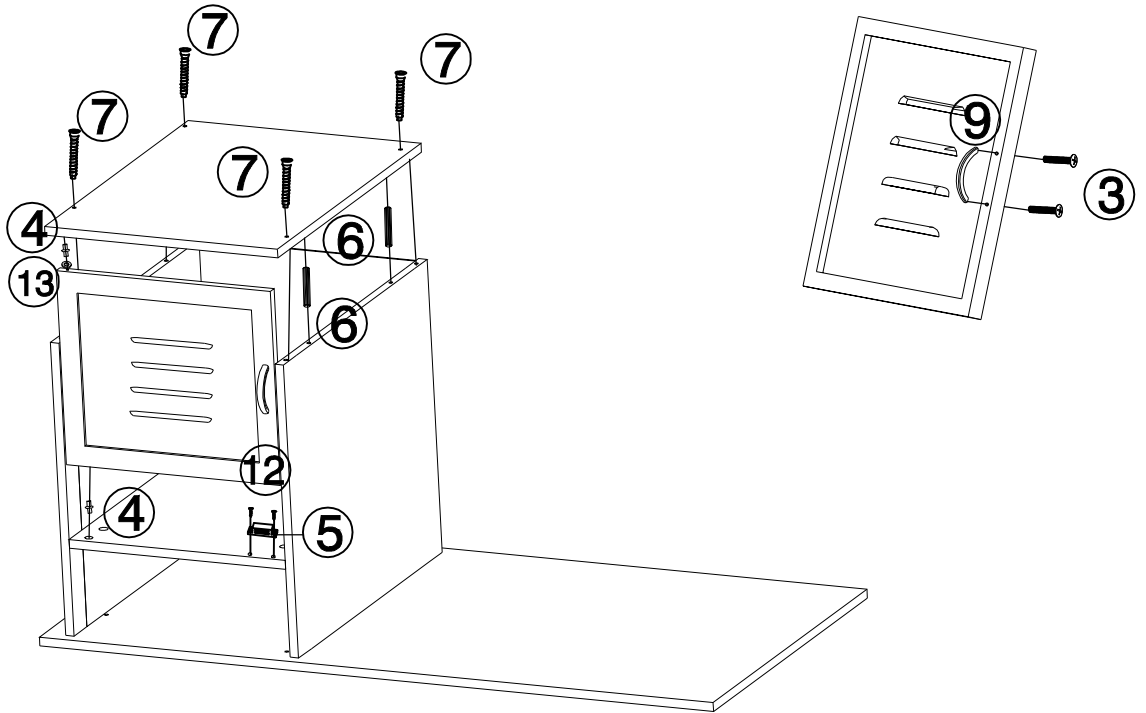


② X4

4

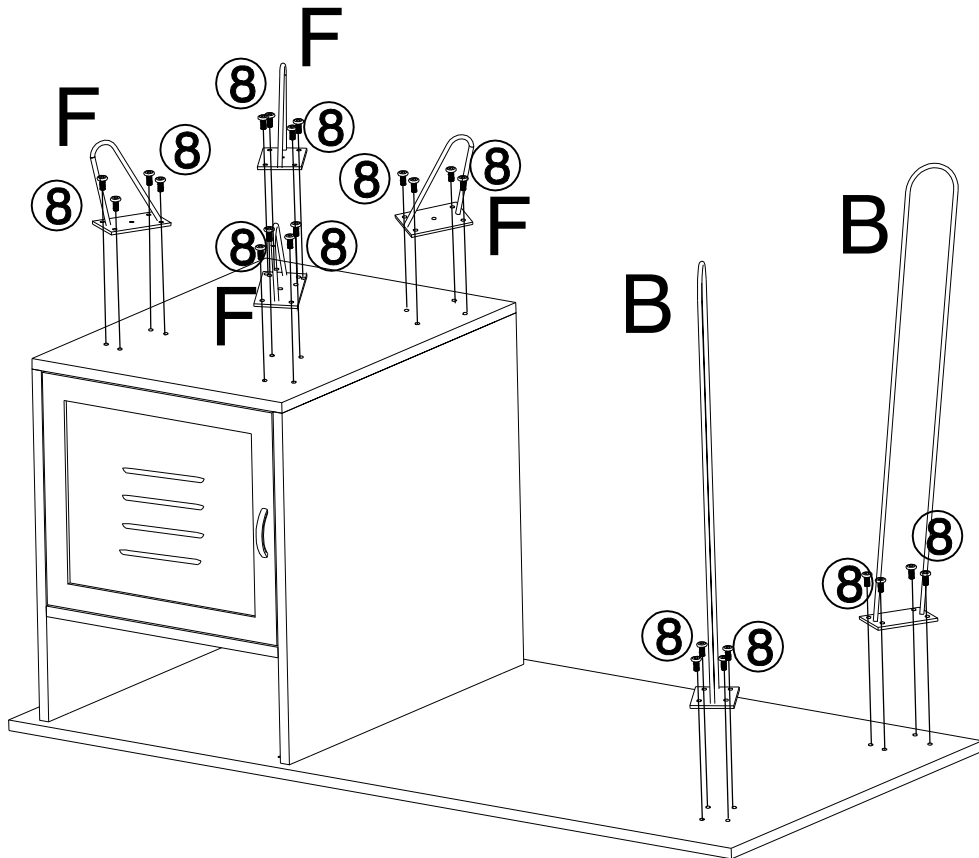


5



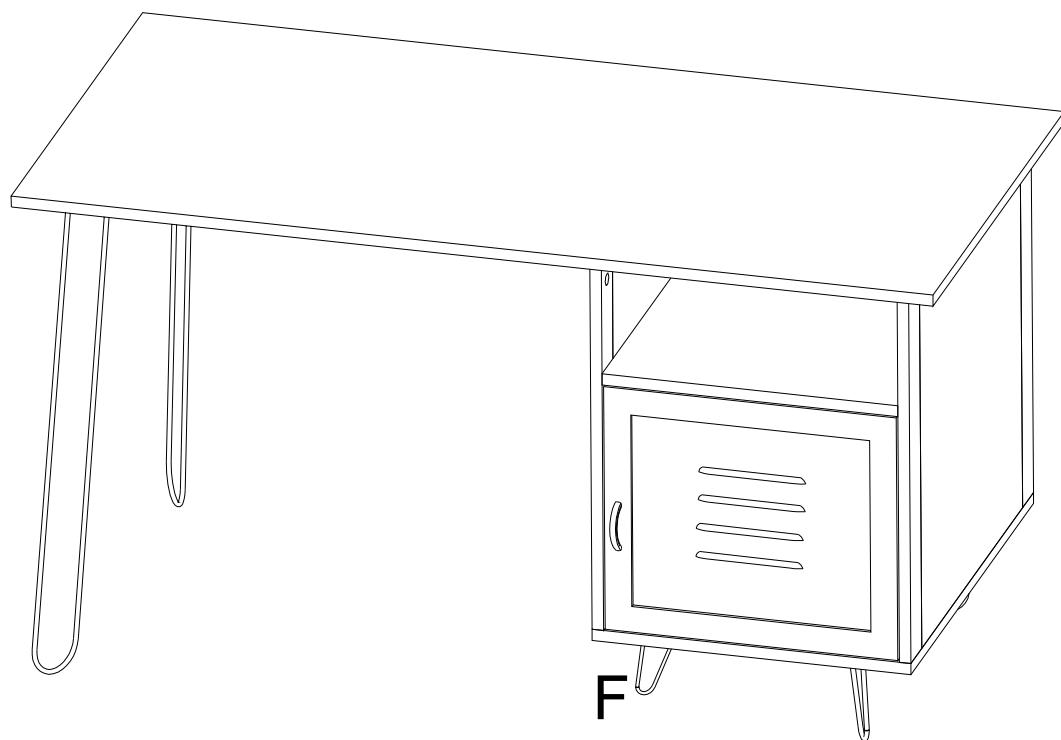
- ③ X2
- ④ X2
- ⑤ X1
- ⑥ X4
- ⑦ X4
- ⑫ X2
- ⑬ X1

6

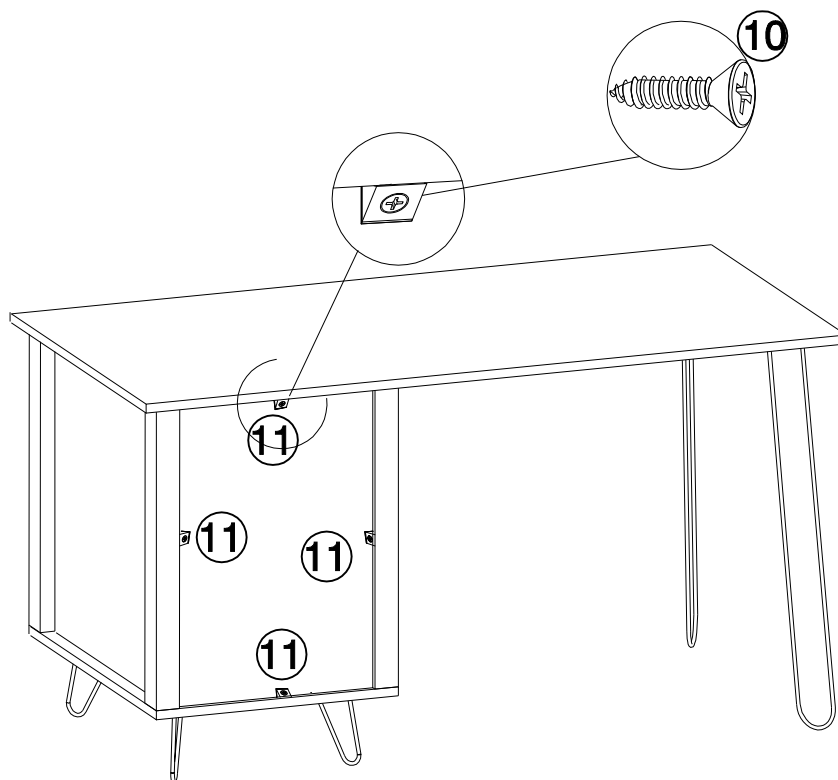


- ⑧ X24

7



8



⑩ X4

⑪ X4