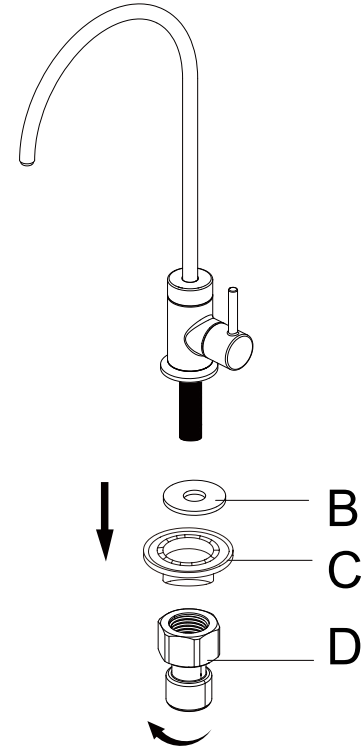
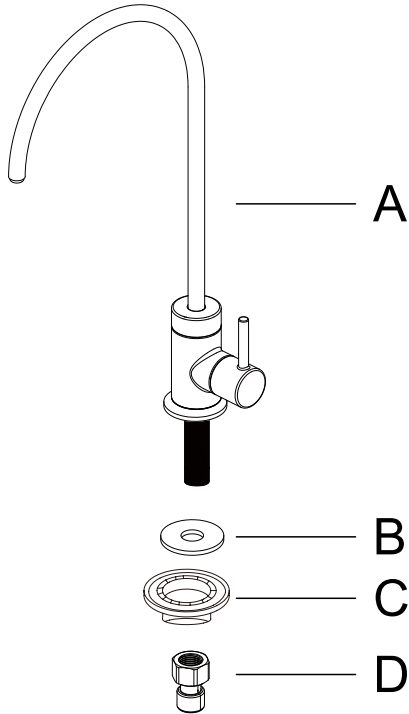


UNIVERSAL Kitchen Water Filter Faucet

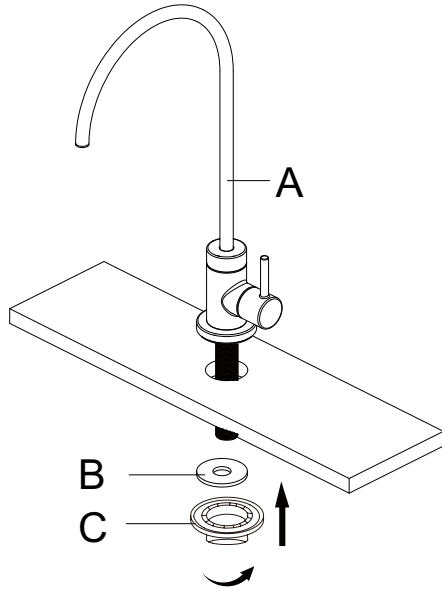
Installation instruction

Step 1: Preparing for installation



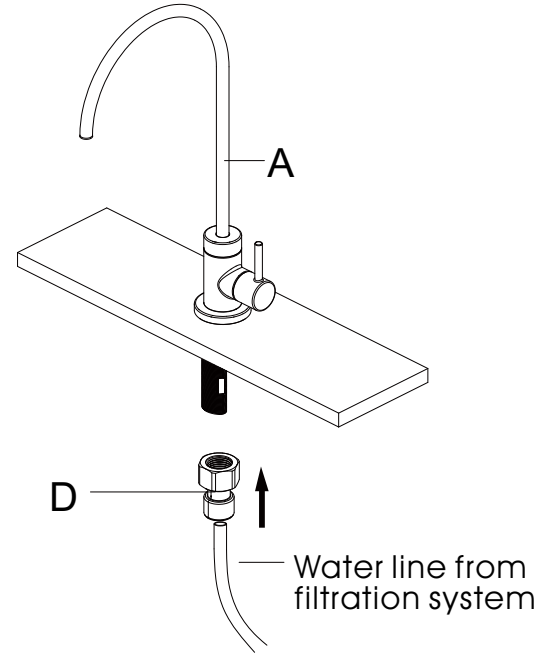
Remove the rubber washer (B), ABS mounting (C), and connector (D) from the end of the stud.

Step 2: Installing the faucet assembly



Place the faucet assembly (A) through the selected hole in the sink or countertop. On the underside of the sink or countertop, slide the rubber washer (B) and ABS mounting (C) onto the stud. And tighten securely using your wrench.

Step 3: Connecting the quick connect adaptor and water line



Thread the quick connect adaptor (E) onto the end of the faucet assembly (A) stud, and tighten securely using a wrench. Water line from the filtration system by pushing the line into the connector (D). Pull down on the line slightly to ensure the quick connect fitting has engaged.