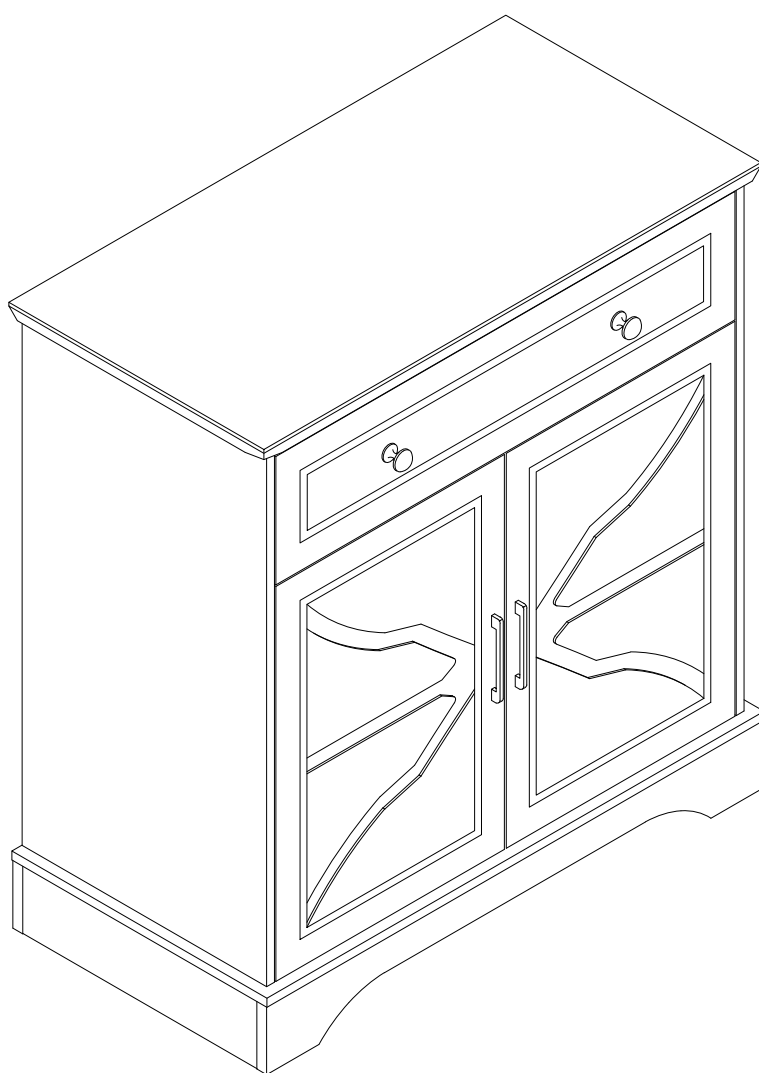
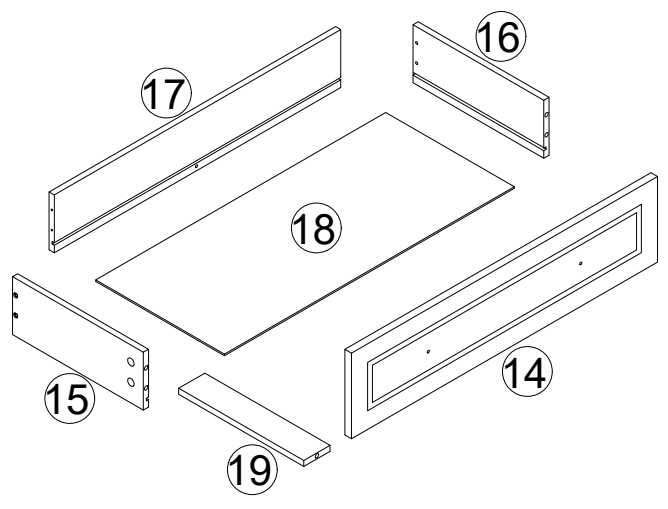
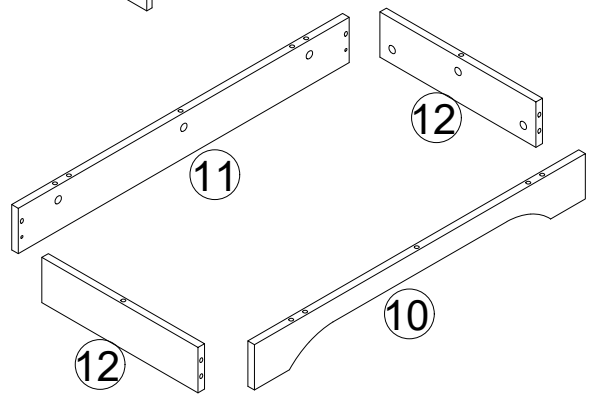
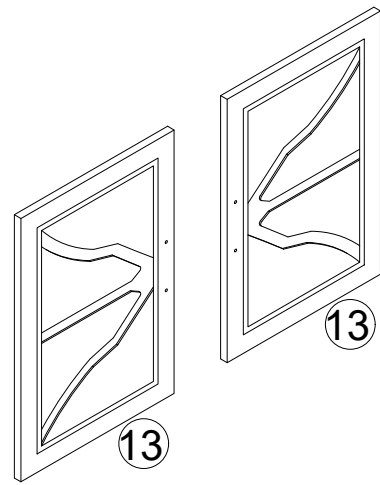
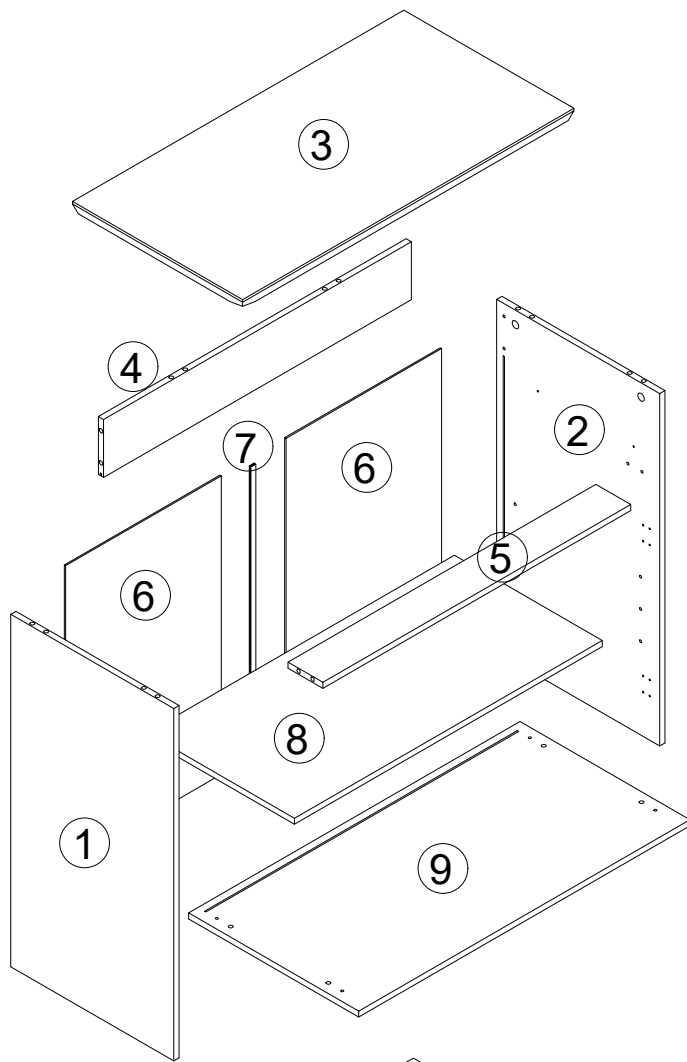
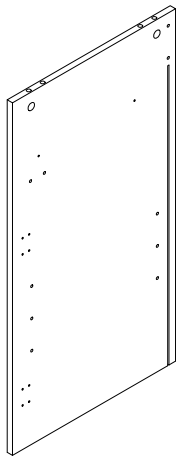


ASSEMBLY INSTRUCTION

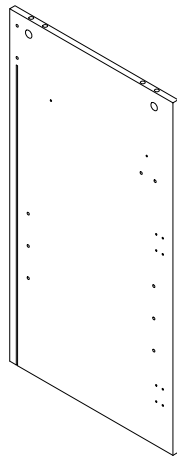
LSJ026



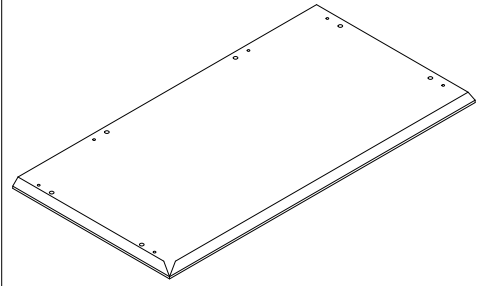




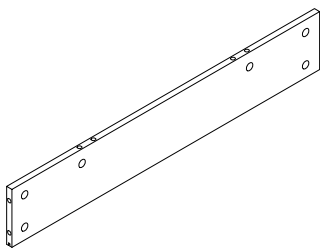
① x 1



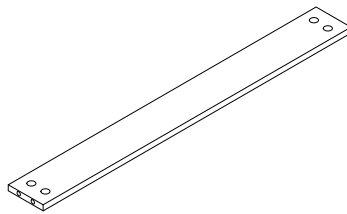
② x 1



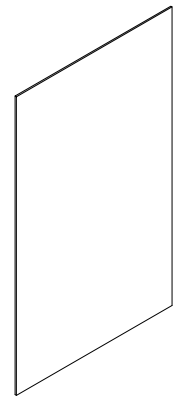
③ x 1



④ x 1



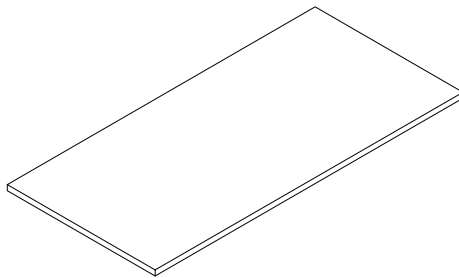
⑤ x 1



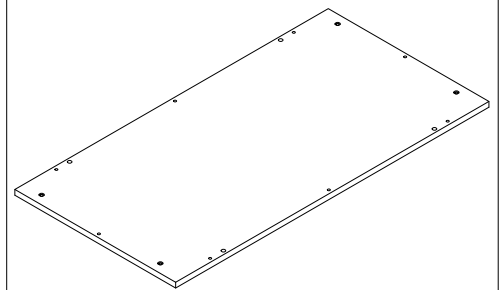
⑥ x 2



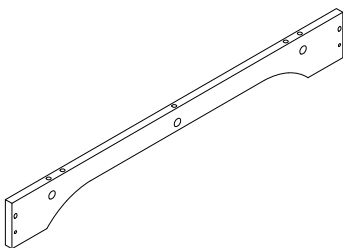
⑦ x 1



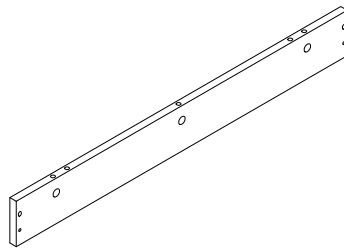
⑧ x 1



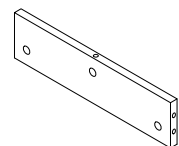
⑨ x 1



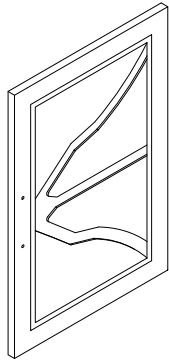
⑩ x 1



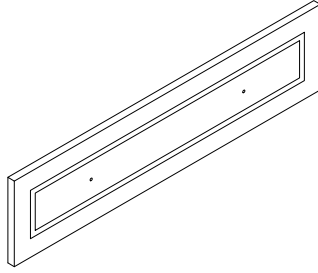
⑪ x 1



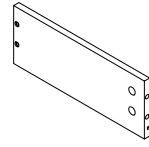
⑫ x 2



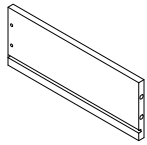
⑬ x 2



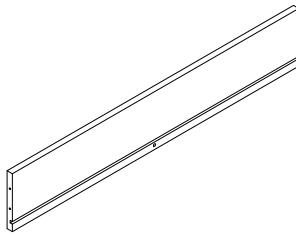
⑭ x 1



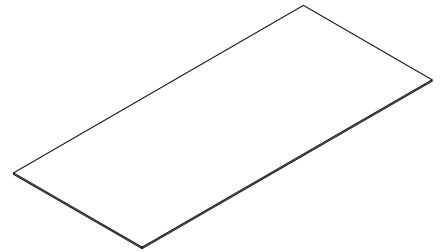
⑮ x 1



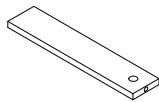
⑯ x 1



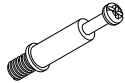






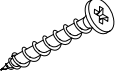
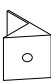

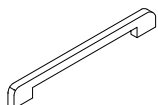
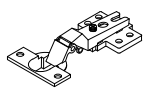
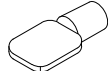


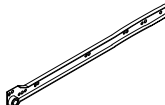
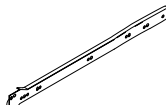
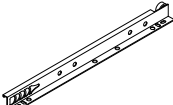
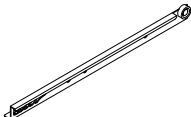
⑰ x 1



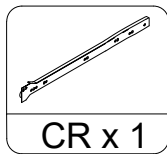
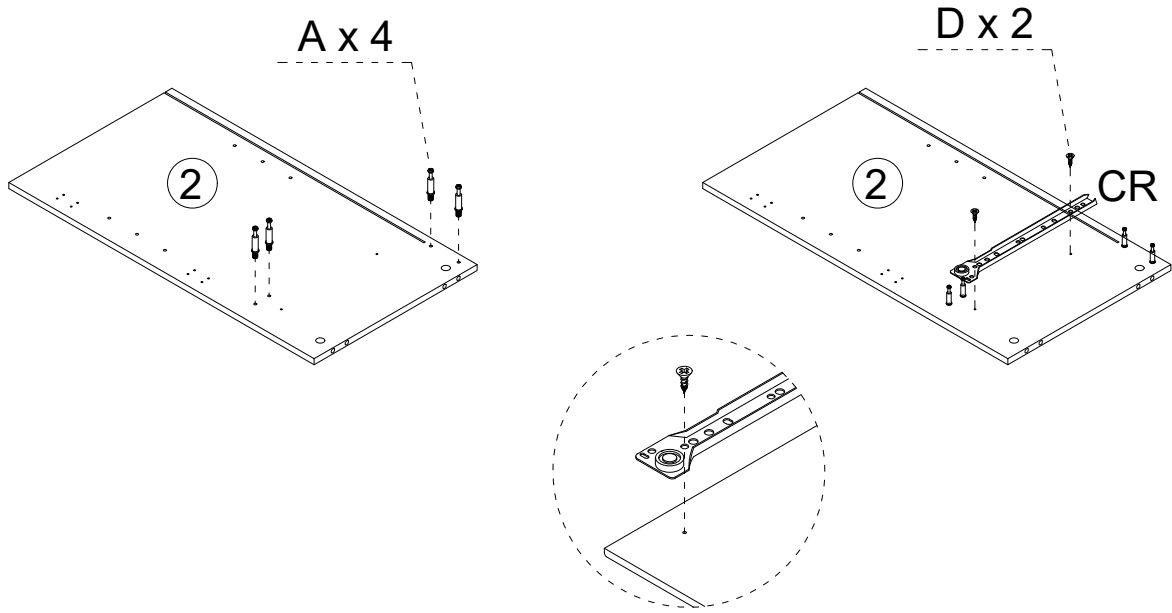
⑱ x 1



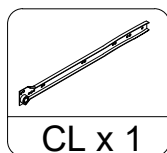
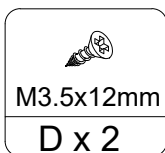
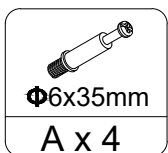
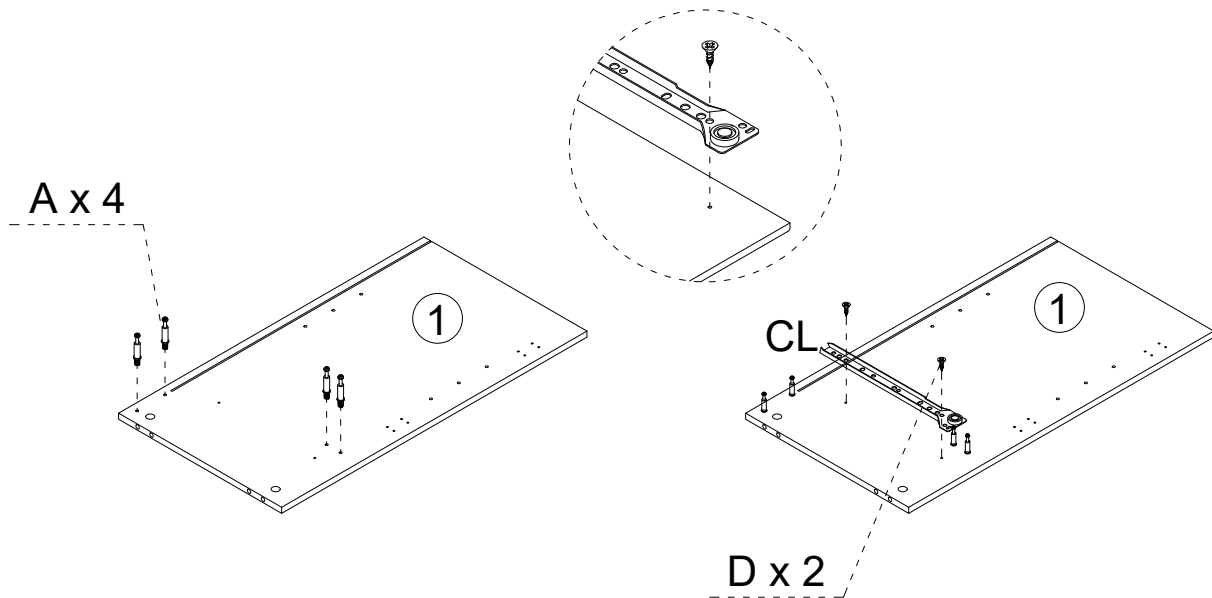
⑲ x 1

					
Φ6x35mm A x 31+2	Φ15x9.5mm B x 31+2	Φ6x30mm C x 18+1	M3.5x12mm D x 32+2	M3x14mm E x 6	M4x14mm F x 1
					
M4x20mm G x 6	M4x35mm H x 10+1	I x 6	J x 2	K x 2	Φ35mm L x 4
					
M x 4	N x 1	Φ6x30mm O x 1	CL x 1	CR x 1	DL x 1
					
DR x 1					

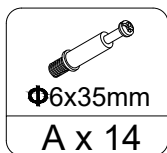
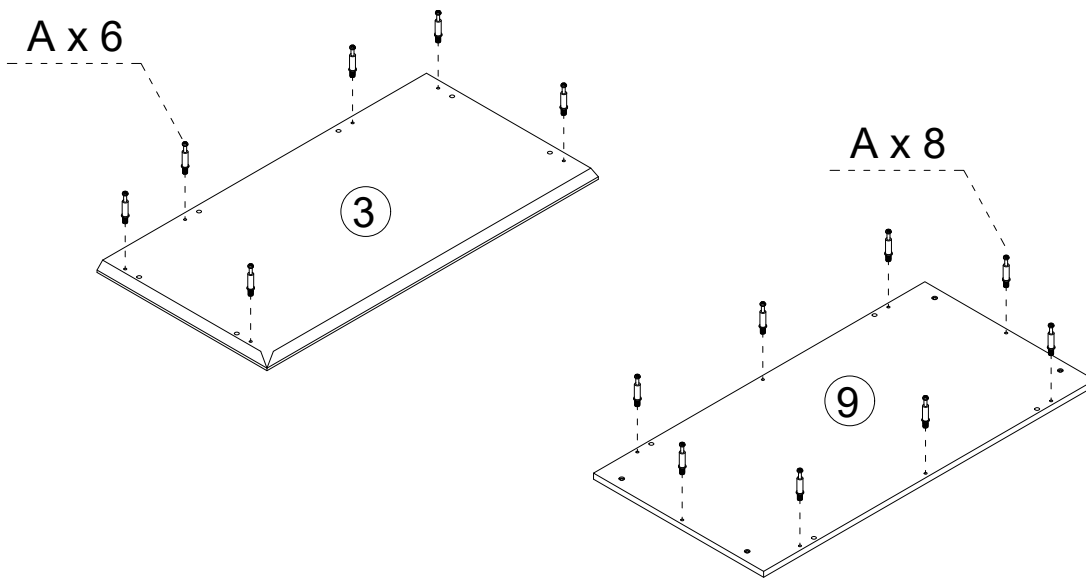
Step 1



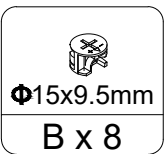
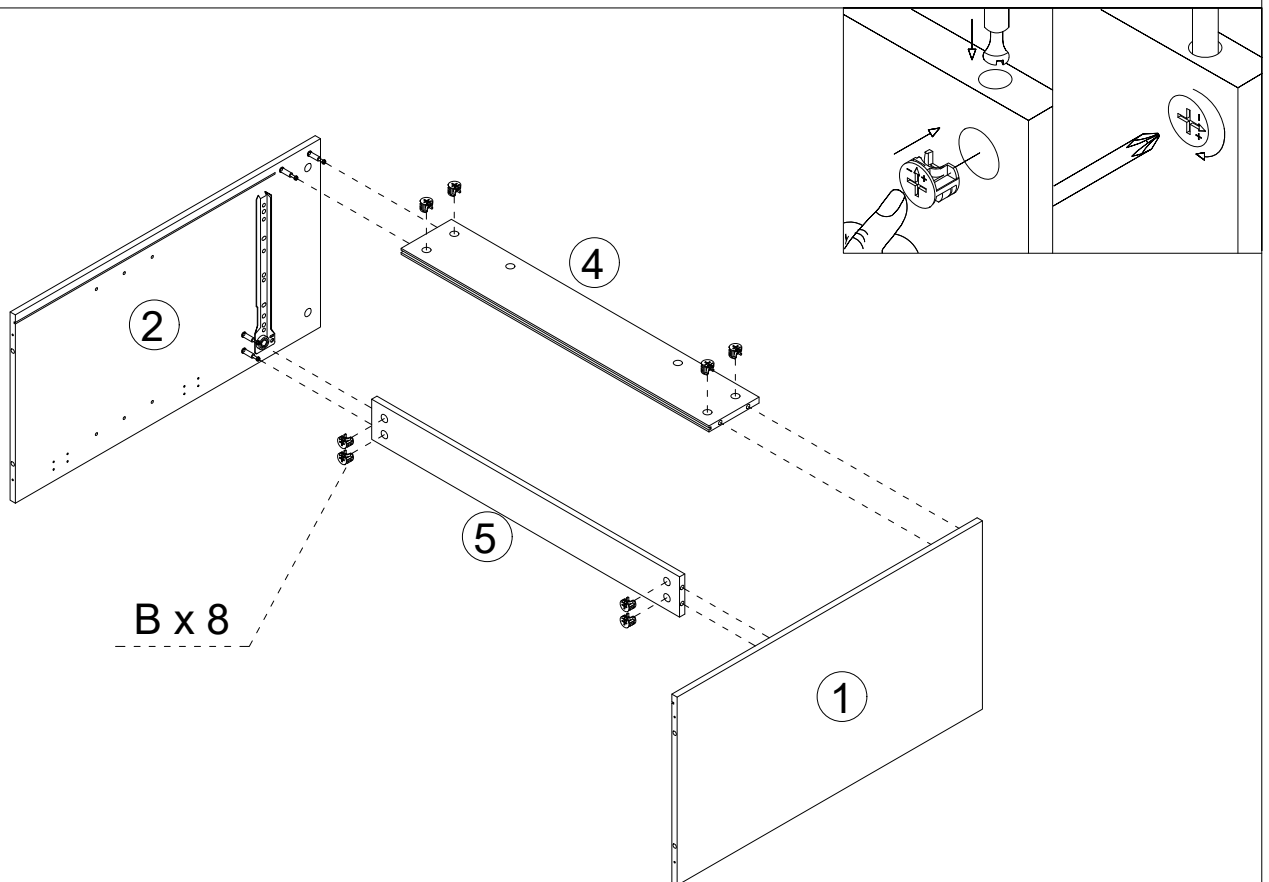
Step 2



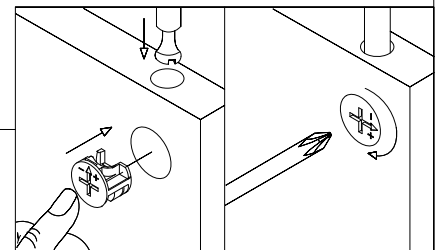
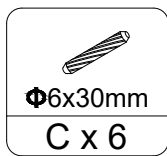
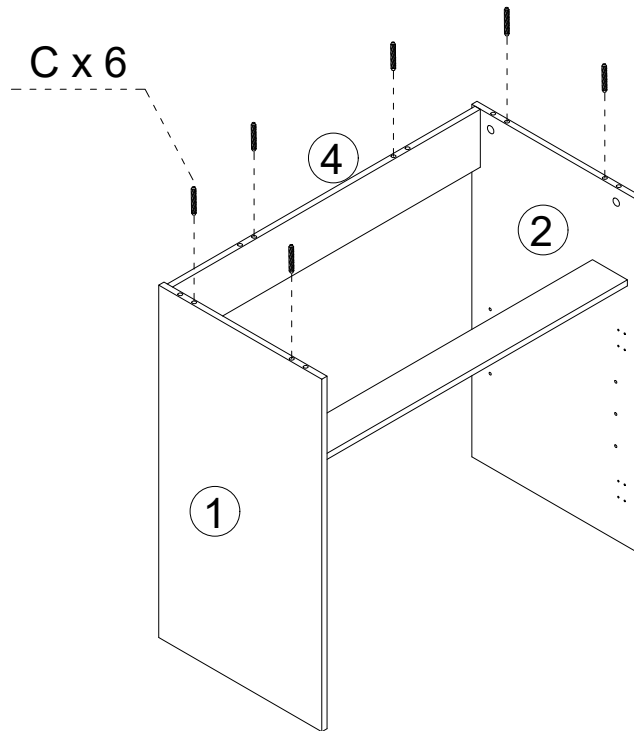
Step 3



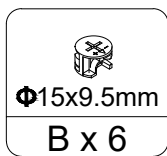
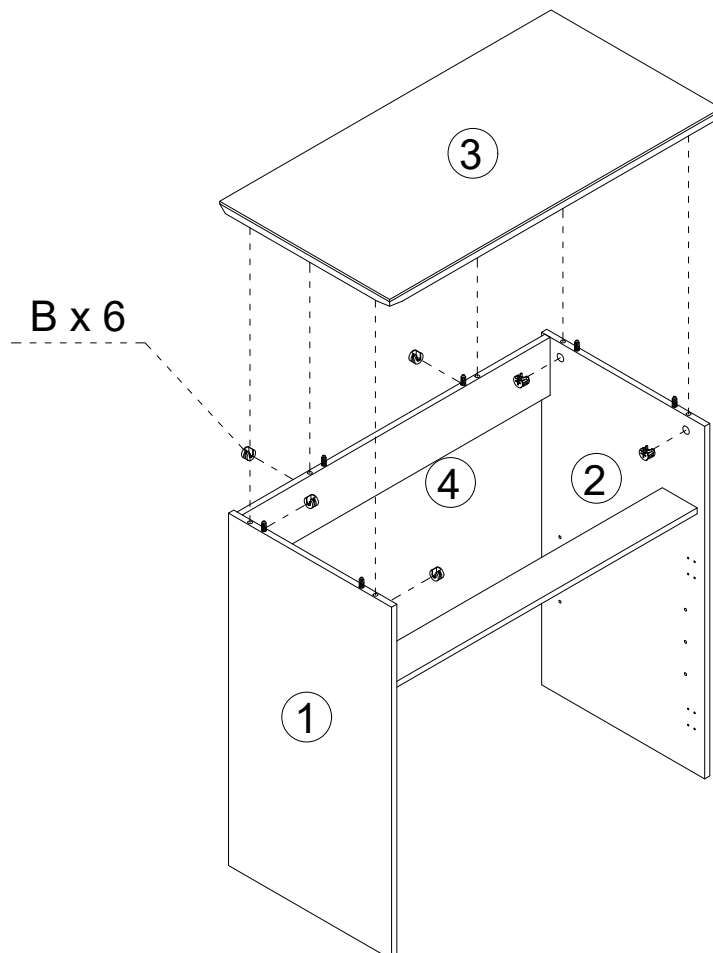
Step 4



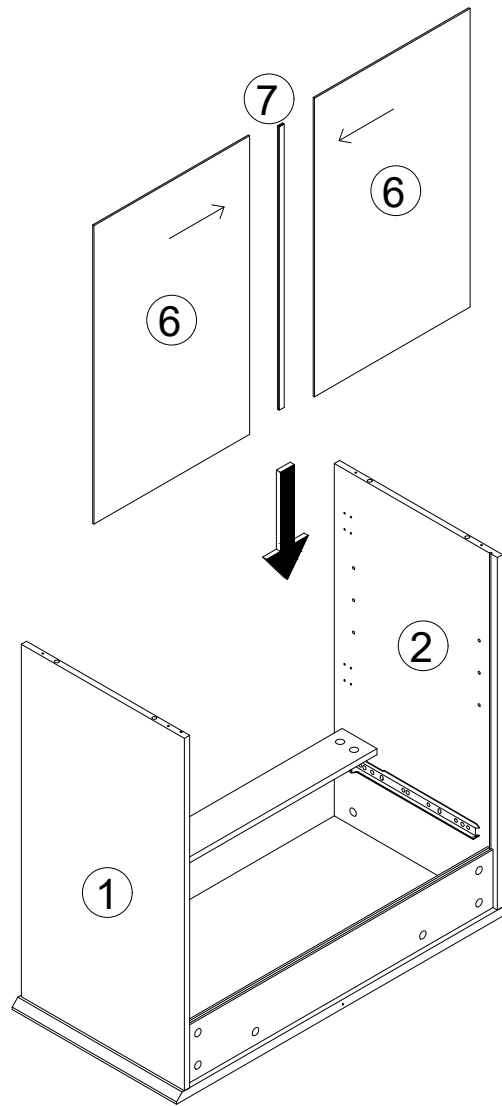
Step 5



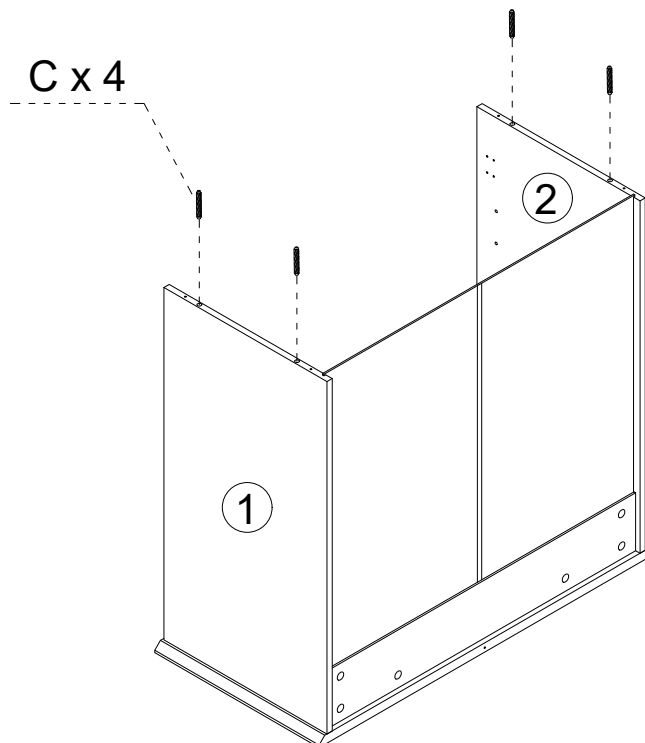
Step 6



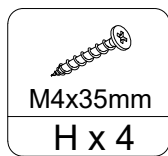
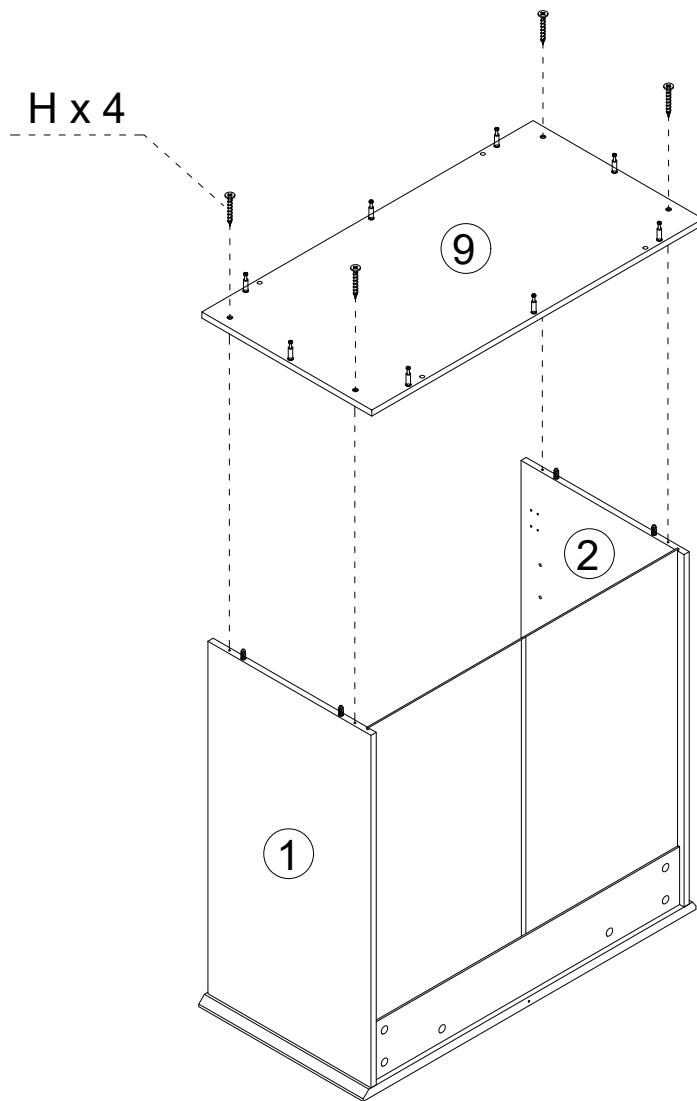
Step 7



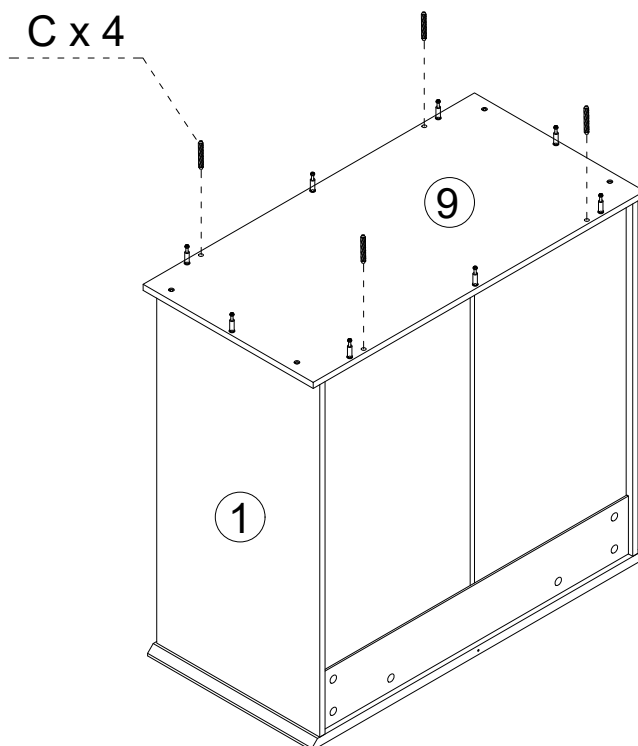
Step 8



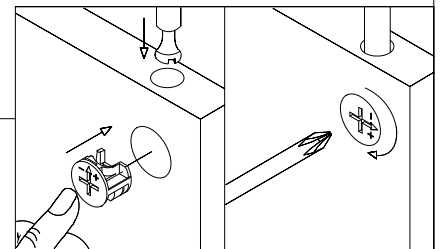
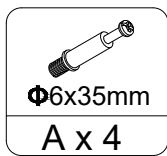
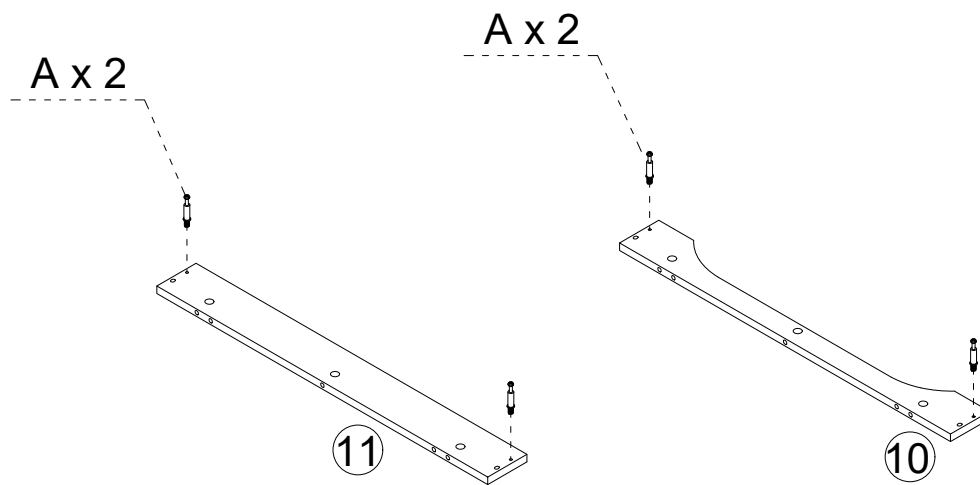
Step 9



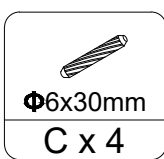
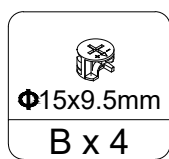
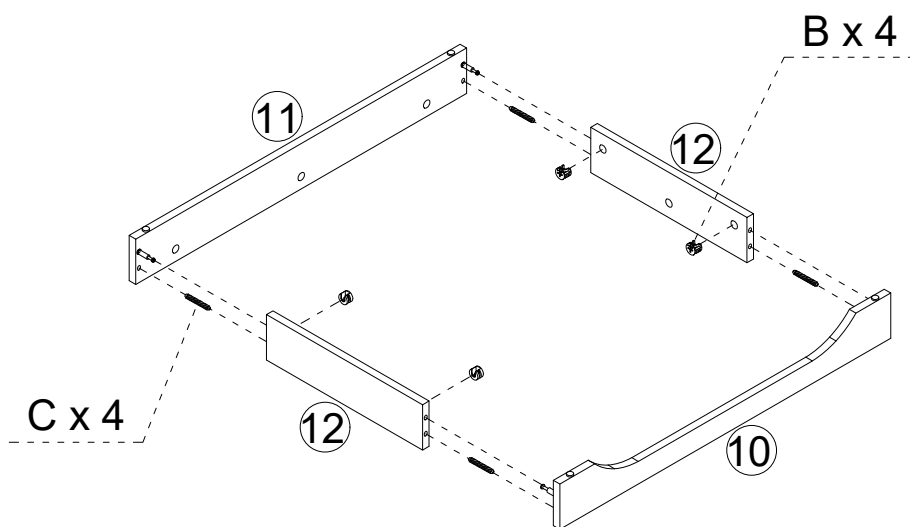
Step 10



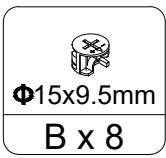
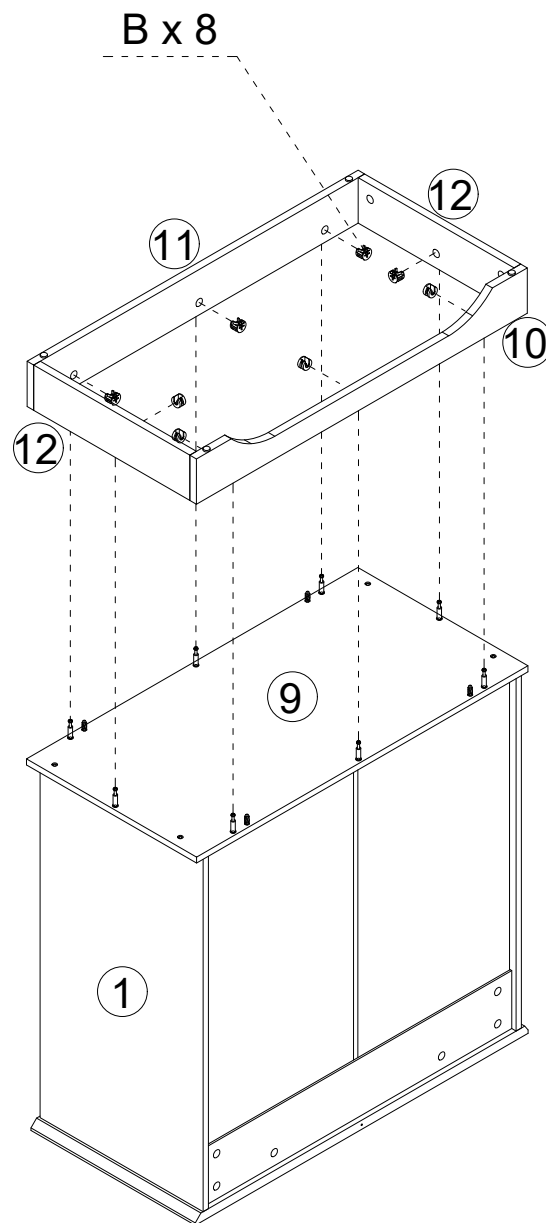
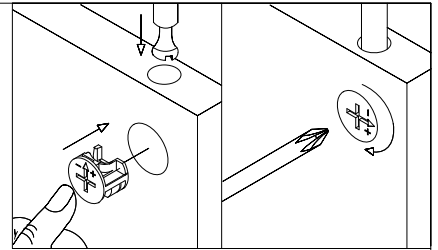
Step 11



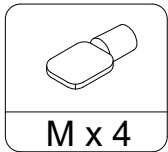
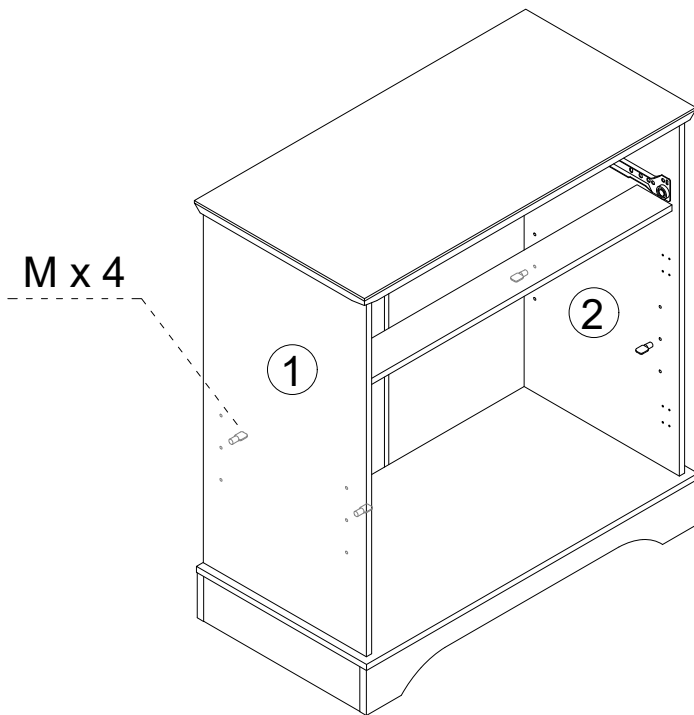
Step 12



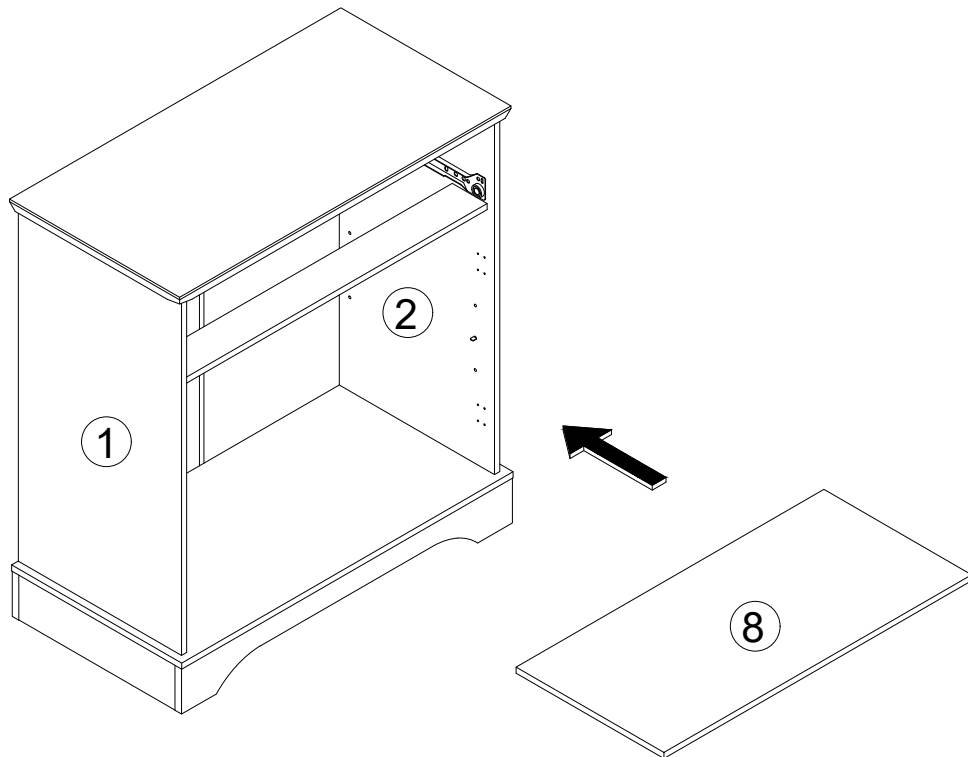
Step 13



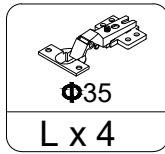
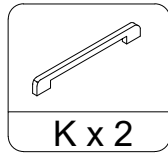
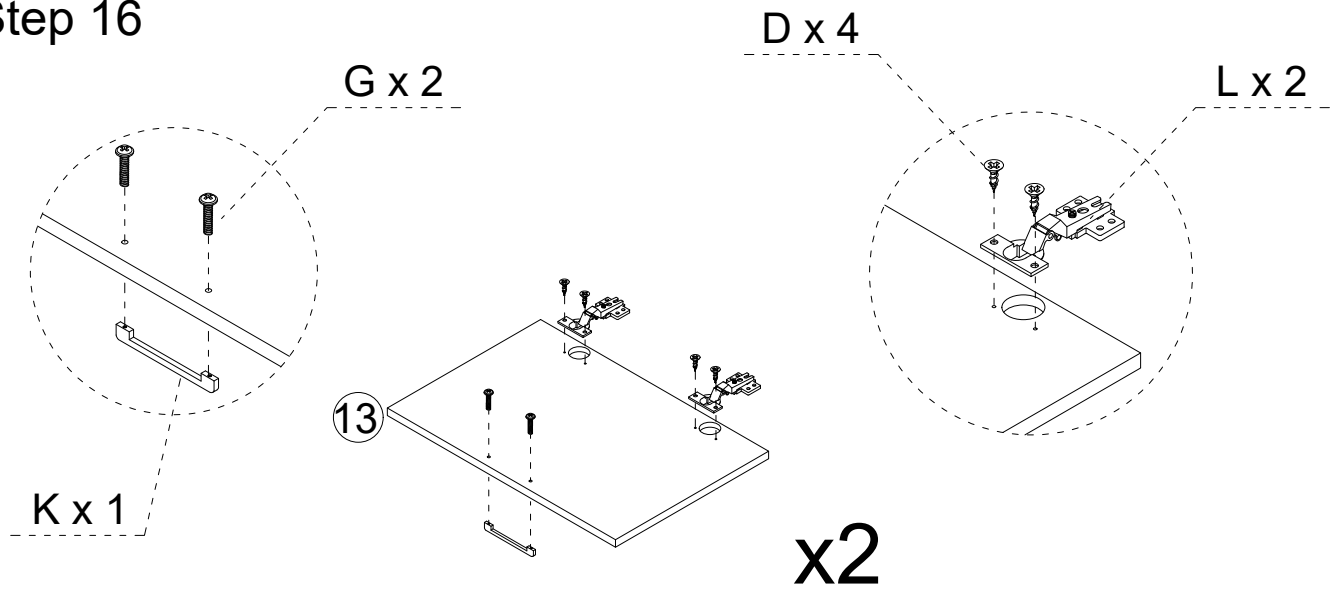
Step 14



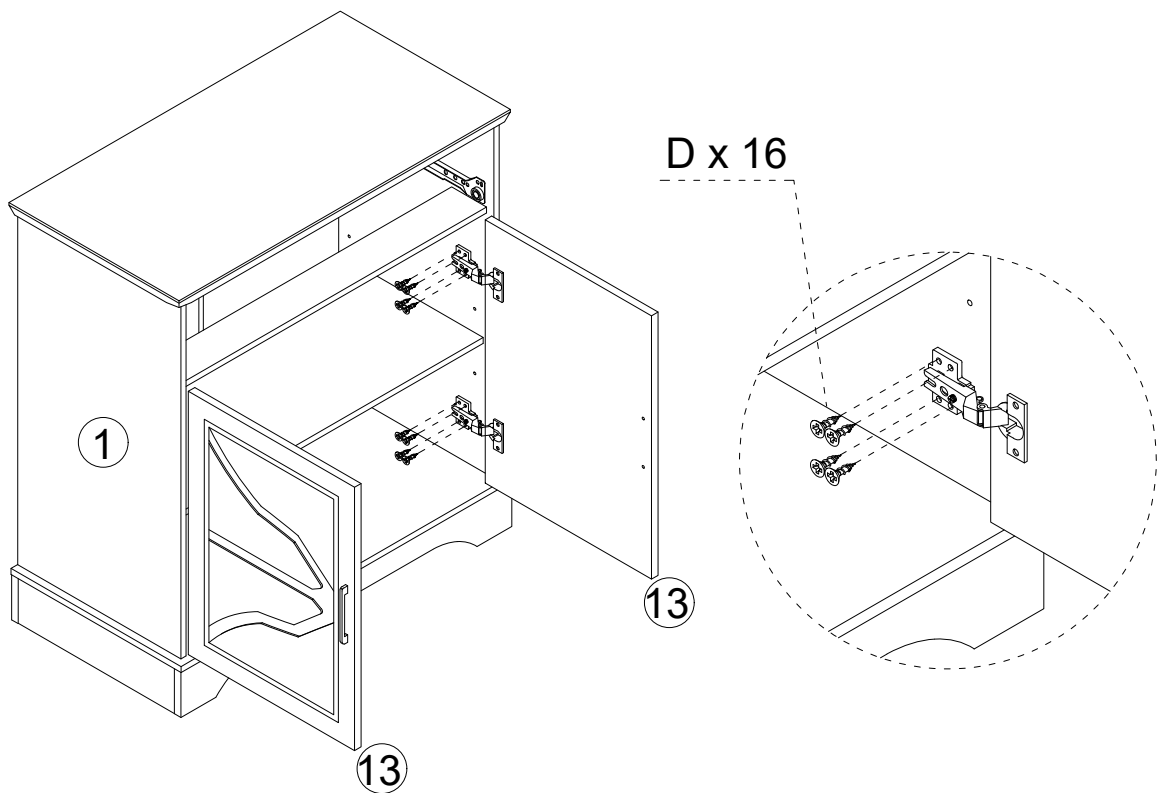
Step 15



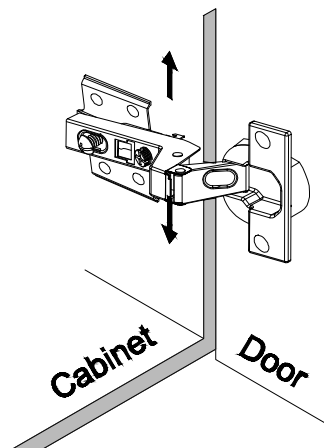
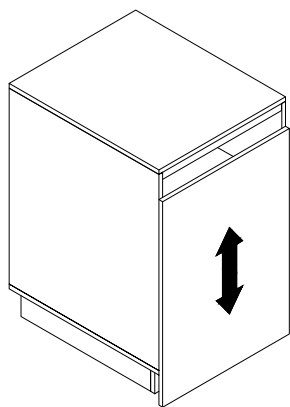
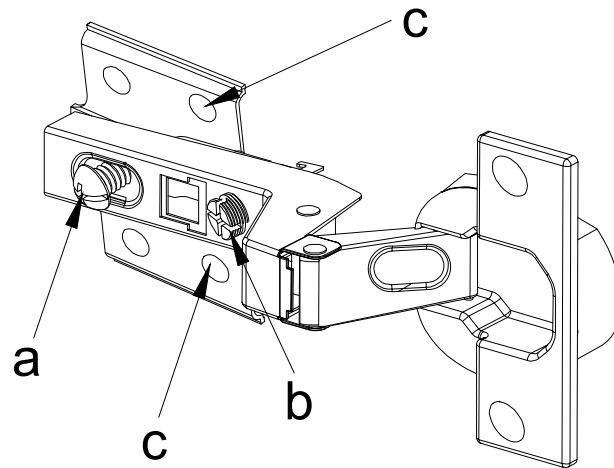
Step 16



Step 17

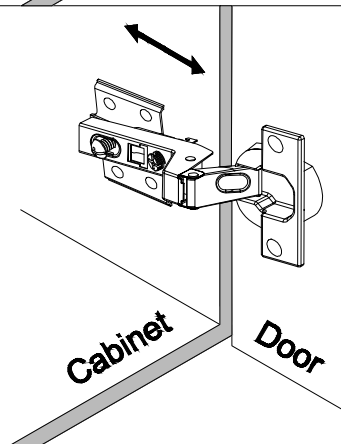
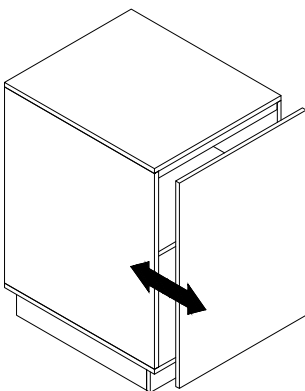


Step 18



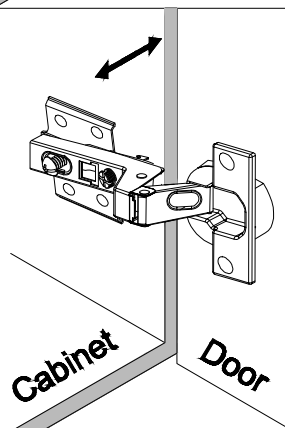
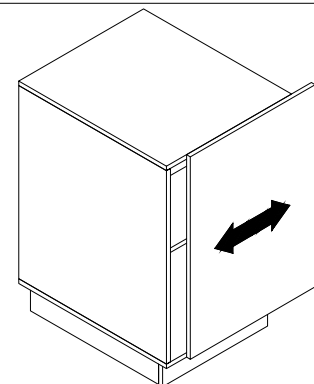
To adjust the vertical height.

Loosen the four screws "c" on both hinges. Two of them are usually in slotted holes which allows you to adjust up or down by a few mm. Then tighten back up.



To adjust depth.

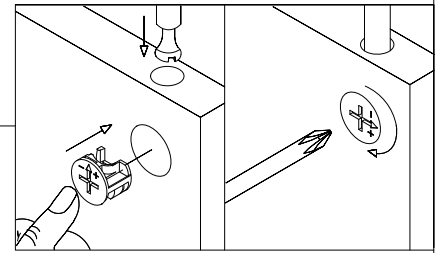
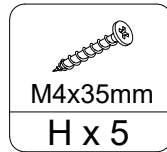
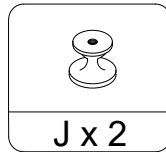
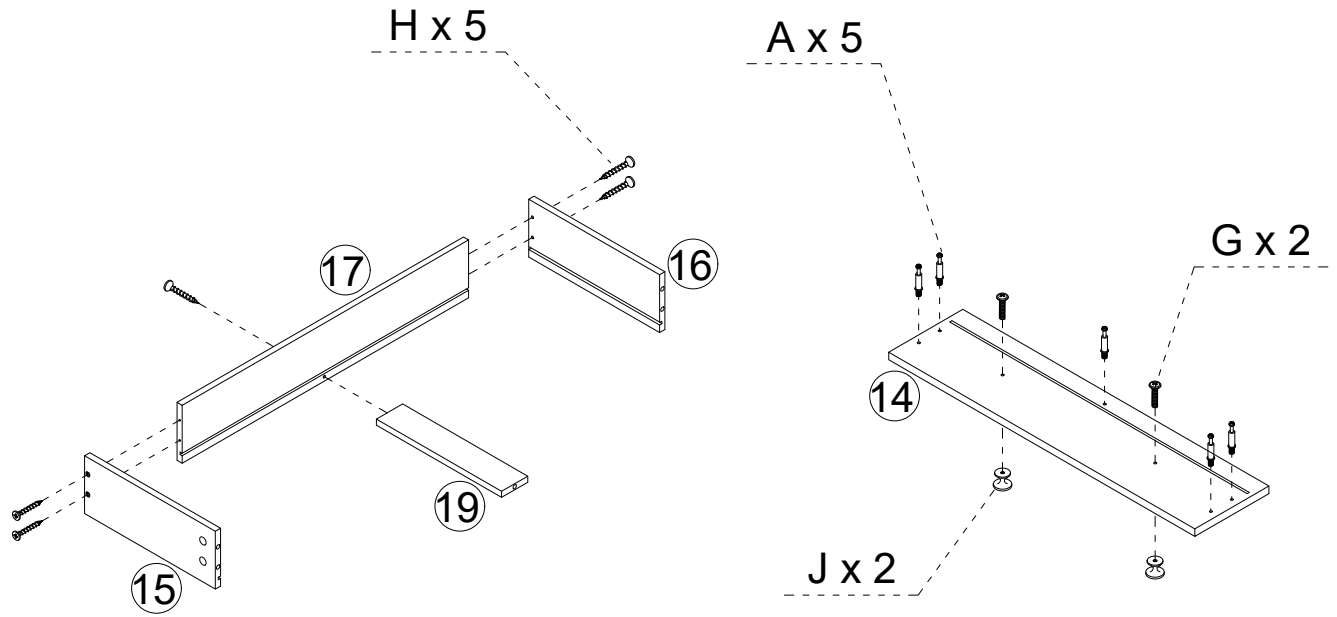
Loosen screw "a" and adjust door, if the door can not be adjusted, please loosen screw "b", then try again. Tighten screw "a" and "b".



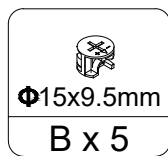
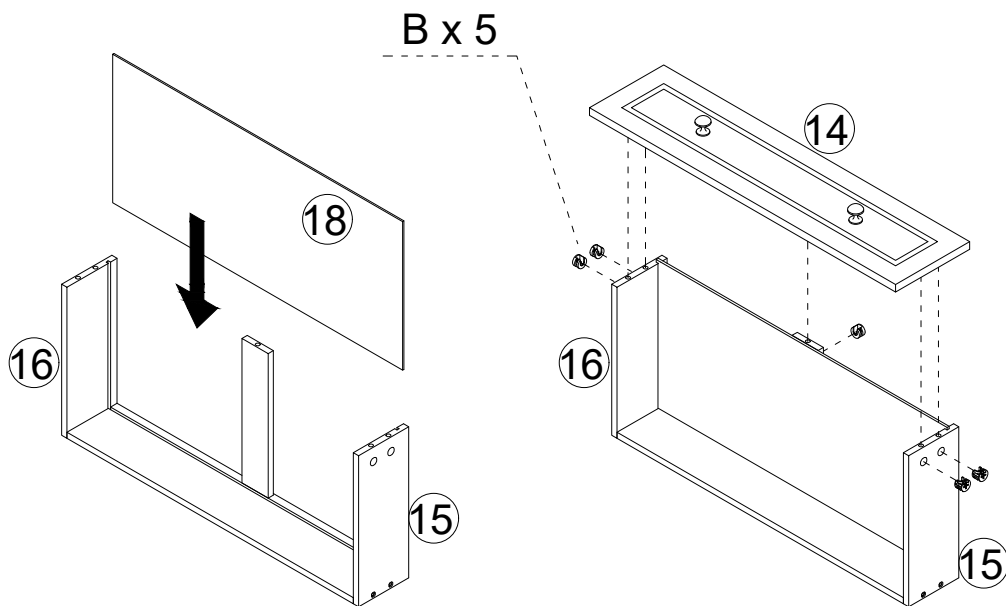
To adjust side ways.

Turning the screw "b" on BOTH hinges on each door.

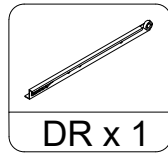
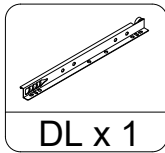
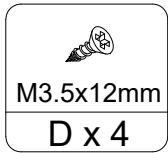
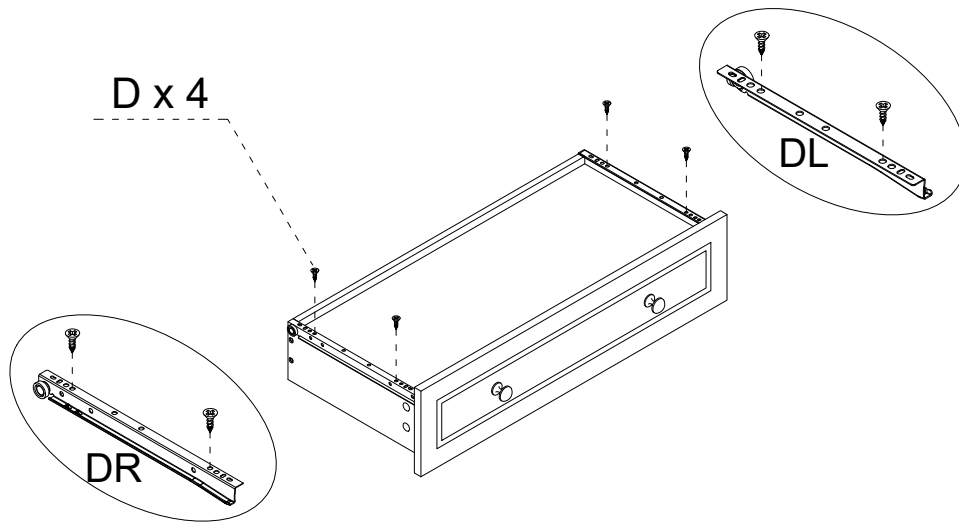
Step 19



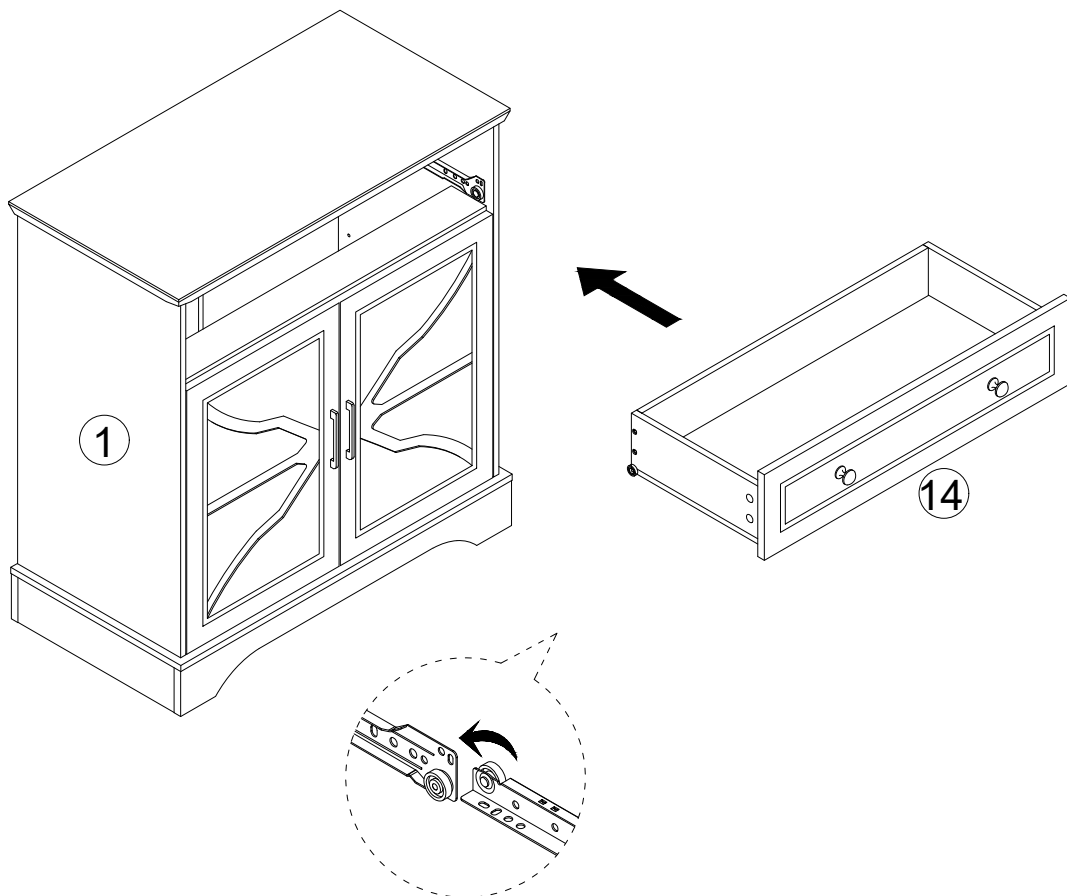
Step 20



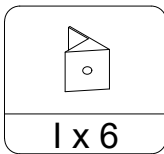
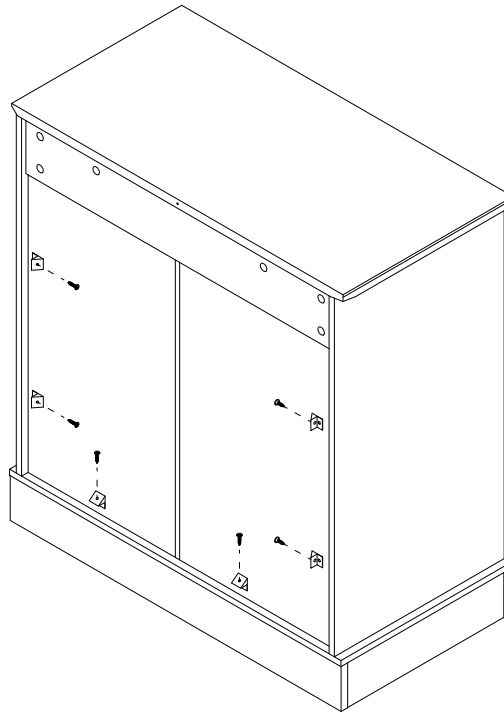
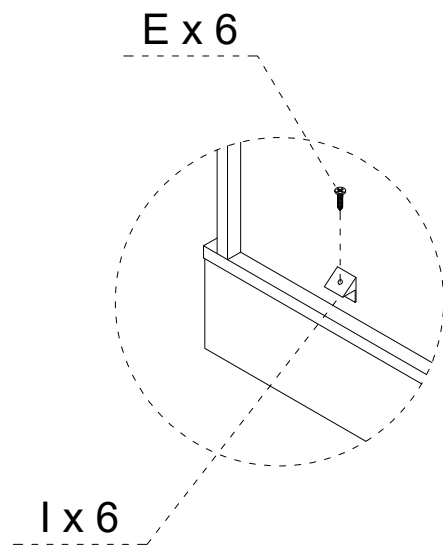
Step 21



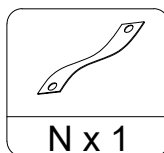
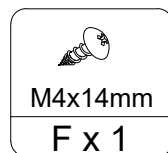
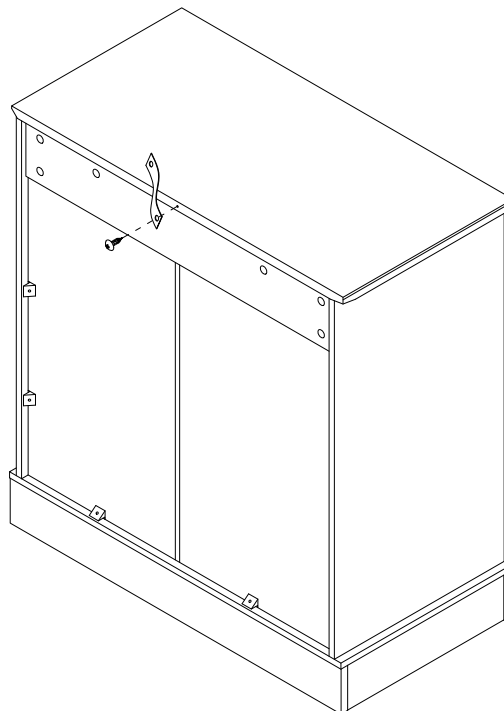
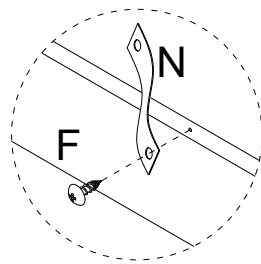
Step 22



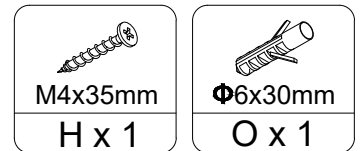
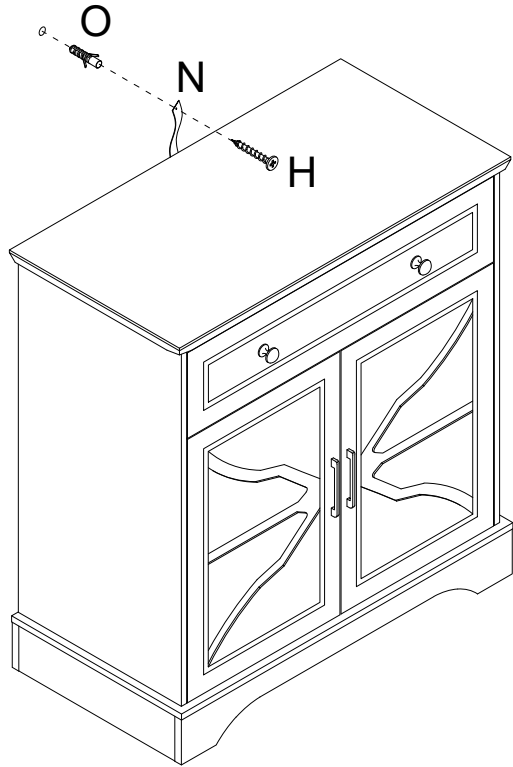
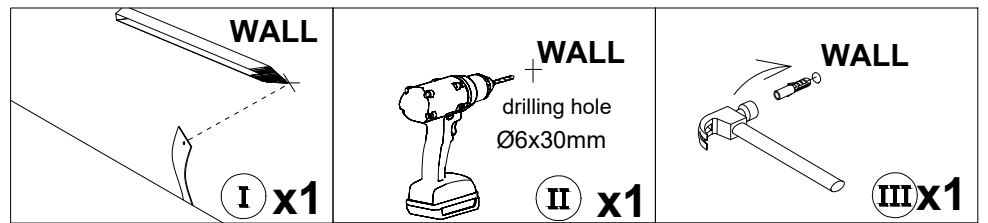
Step 23



Step 24



Step 25



Step 26

