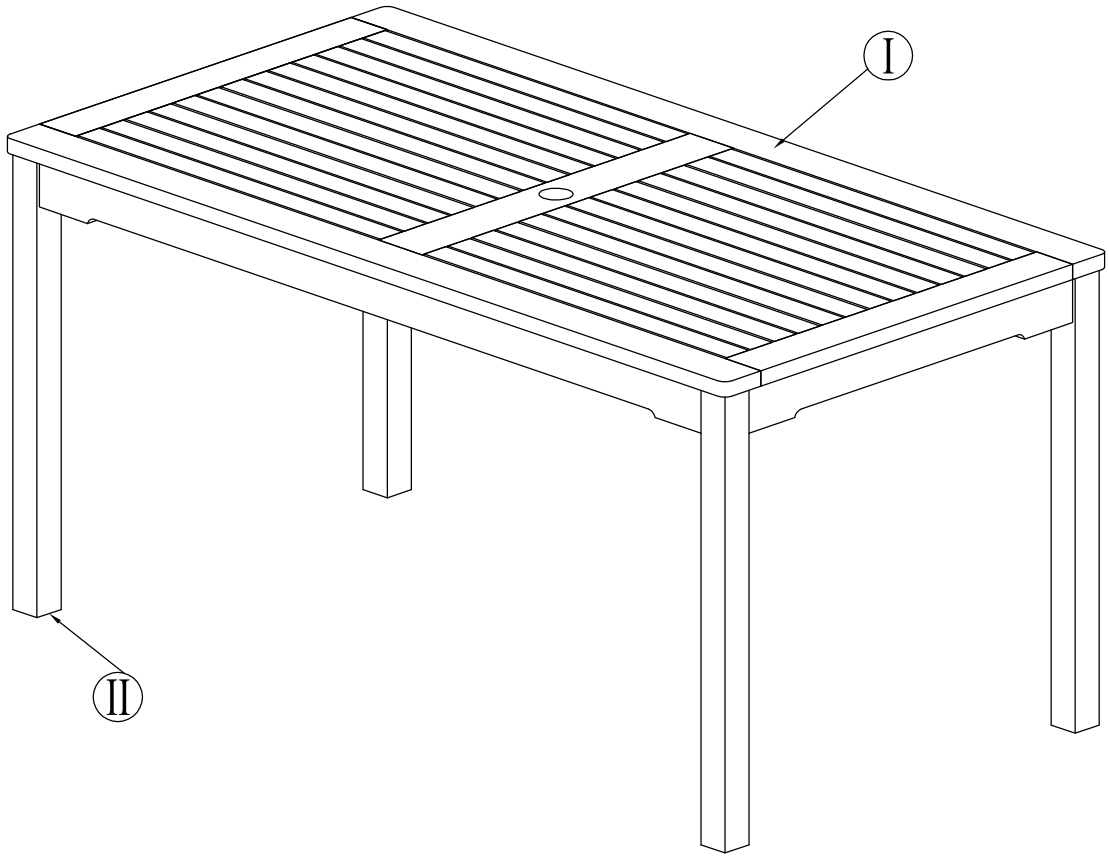


Weight capacity : 75 kgs/ 165 Lbs

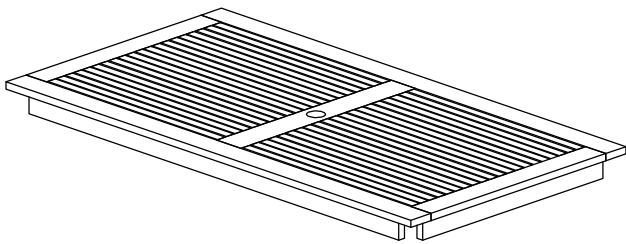




NOTE: 50% TIGHTEN BEFORE FIXING ALL BOLTS & SCREWS

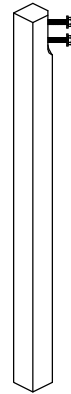
COMPONENTS LIST

I




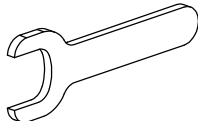
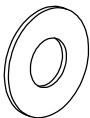
Q'TY 1

II

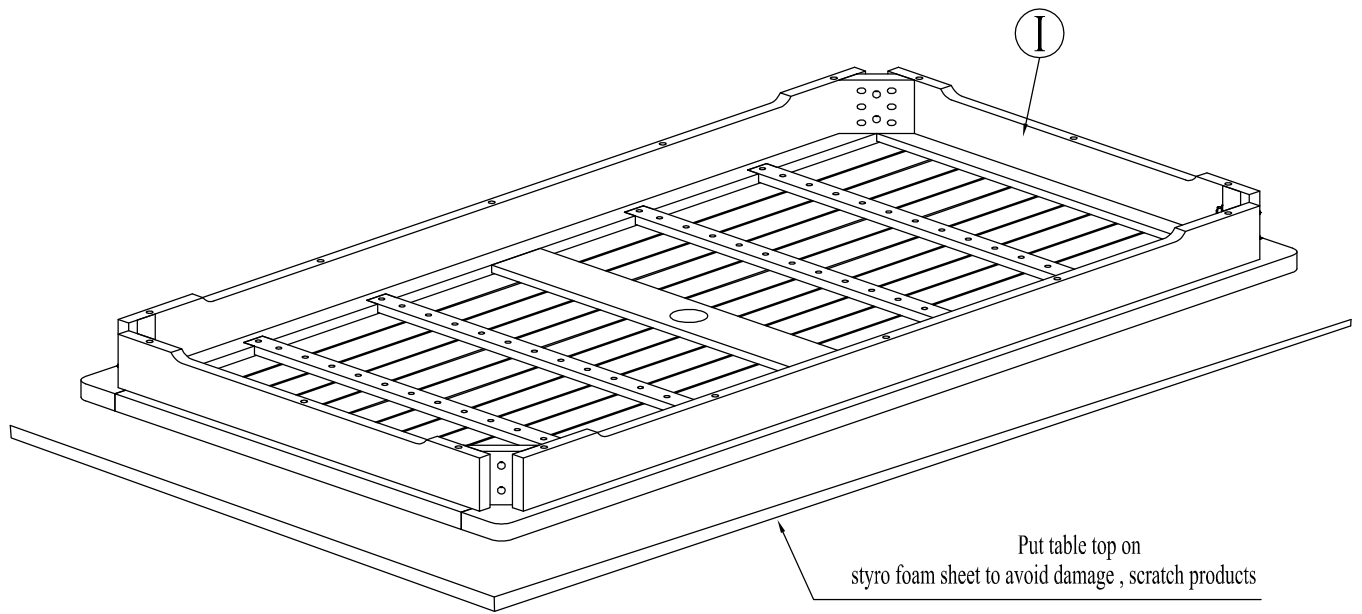


Q'TY 4

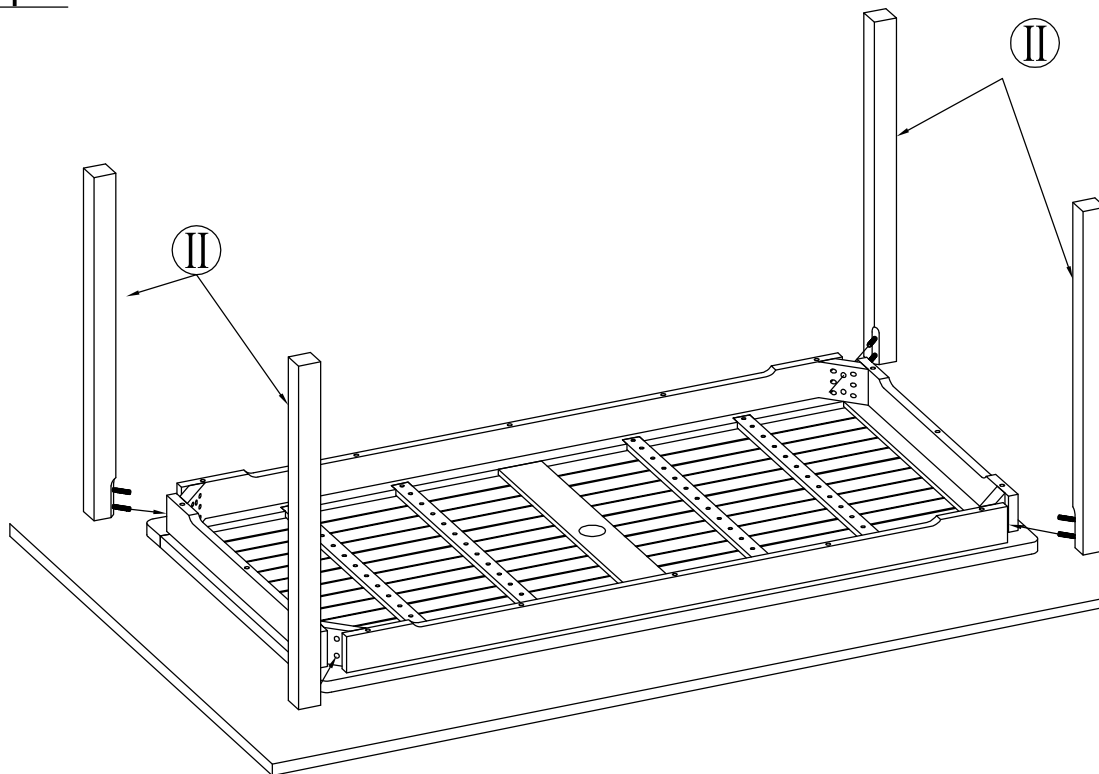
HARDWARE LIST

A		8	Hex. Nut	C		1	Spanner
B		8	Washer				

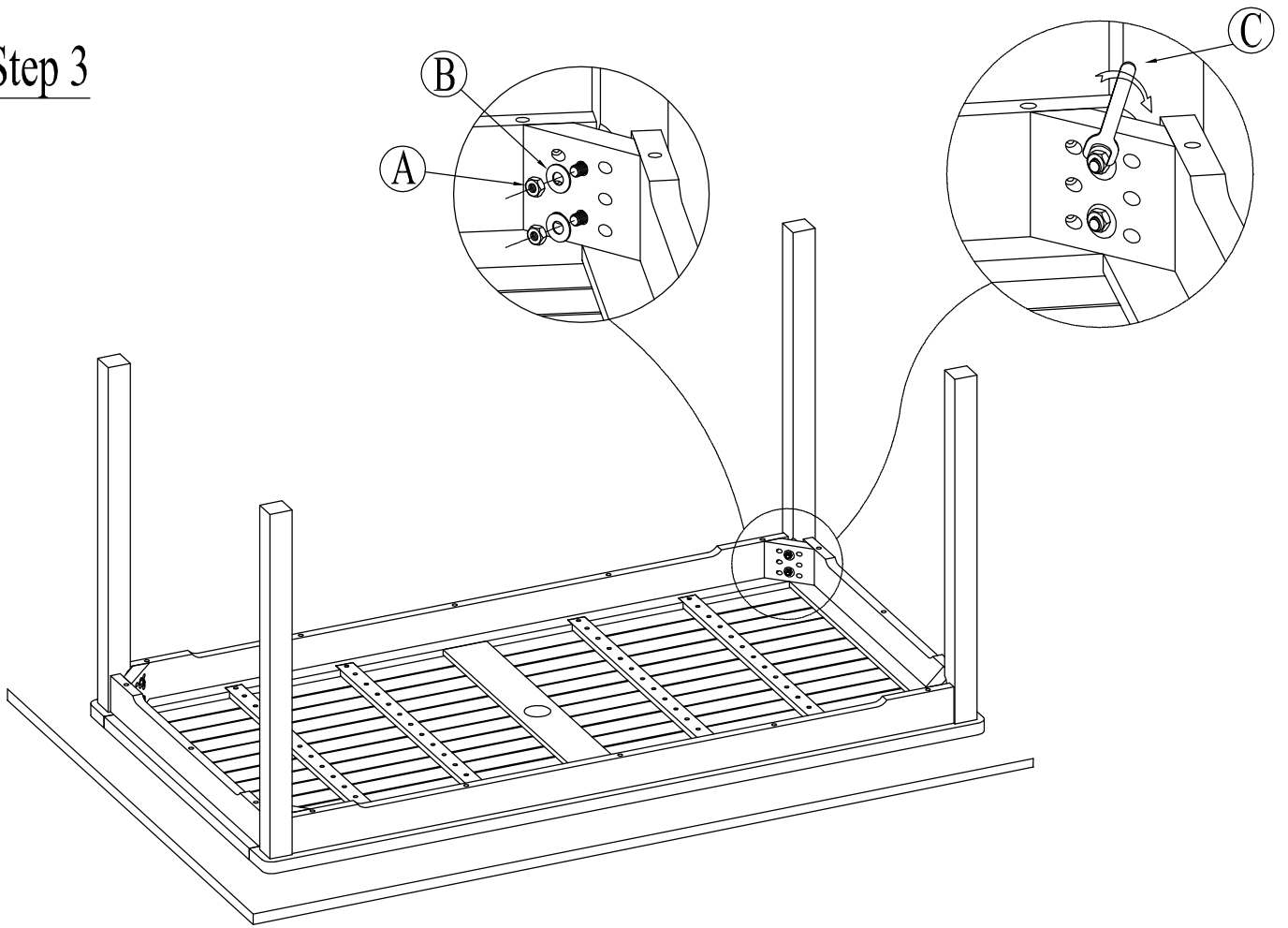
Step 1



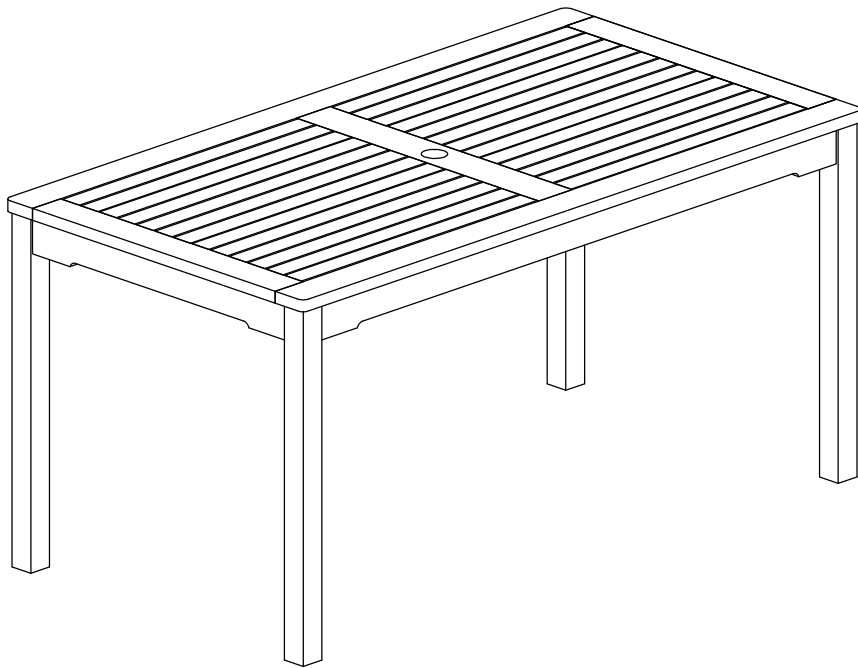
Step 2






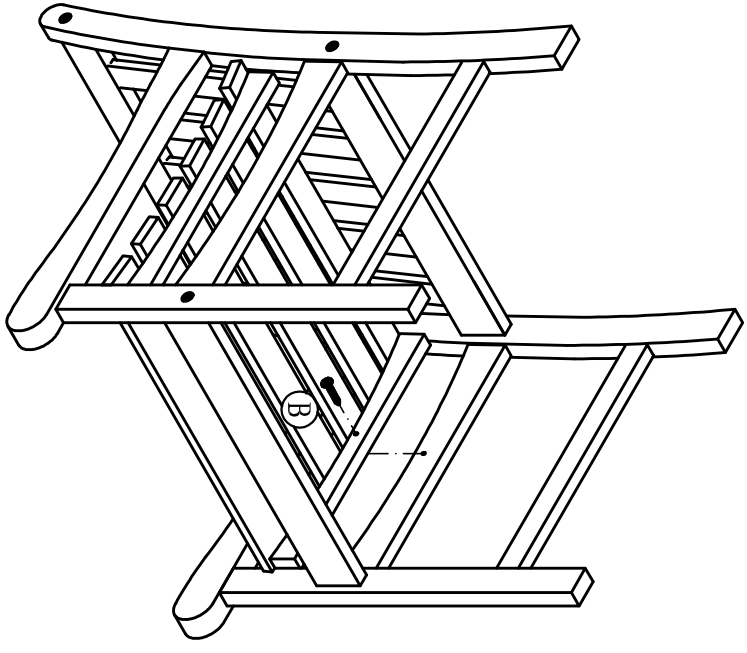
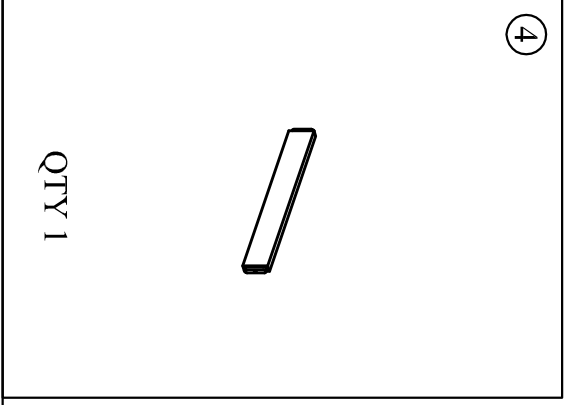
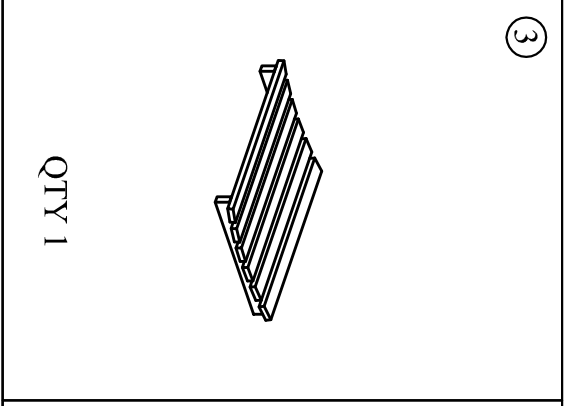
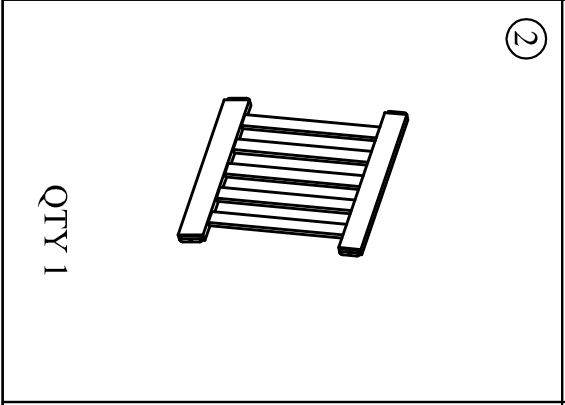
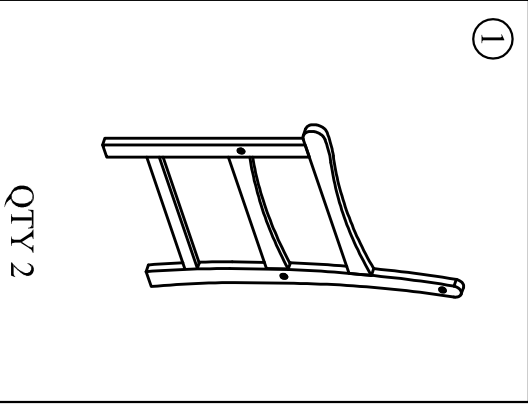
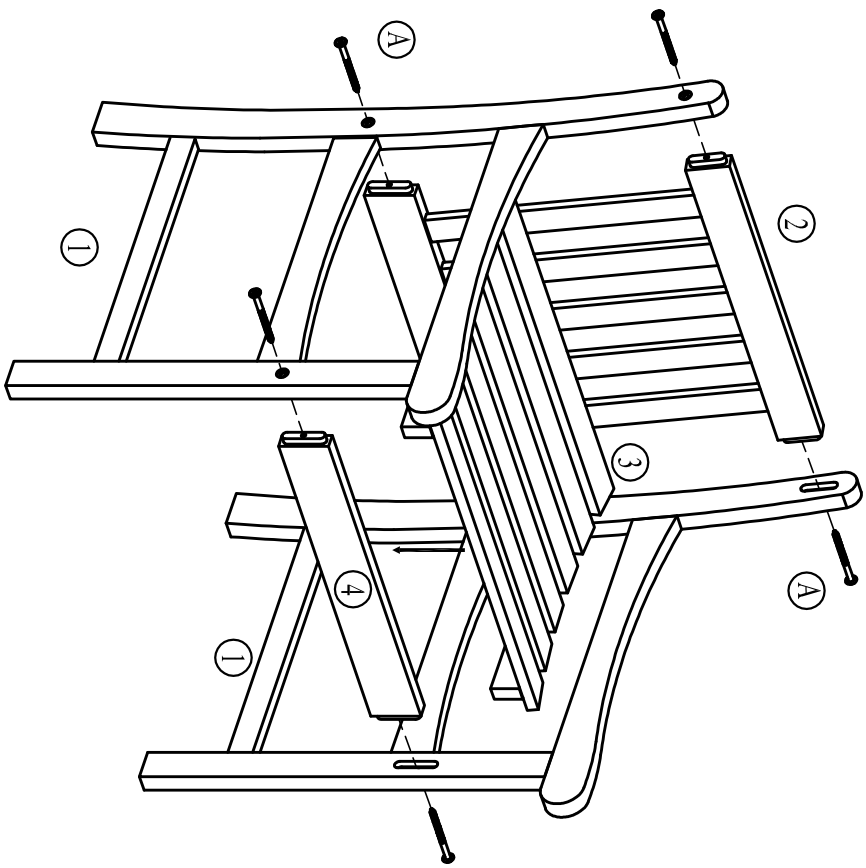
Step 3





Step 4



Item	Name	Qty	Describe
A	F - Screw 7x70	6	
B	F-Screw 7x40	2	
C	Allen Key	2	



ASSEMBLY INSTRUCTION

Item	Name	Qty	Description
A	F - Screw 7x60	2	
B	F - Screw 7x90	4	
C	Allen Key	2	