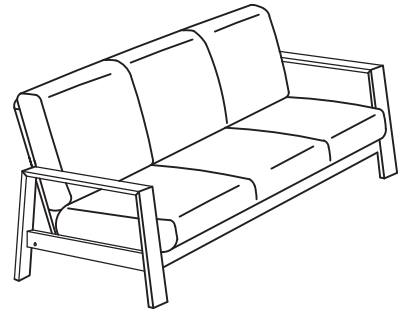


Sofa Assembly Instructions

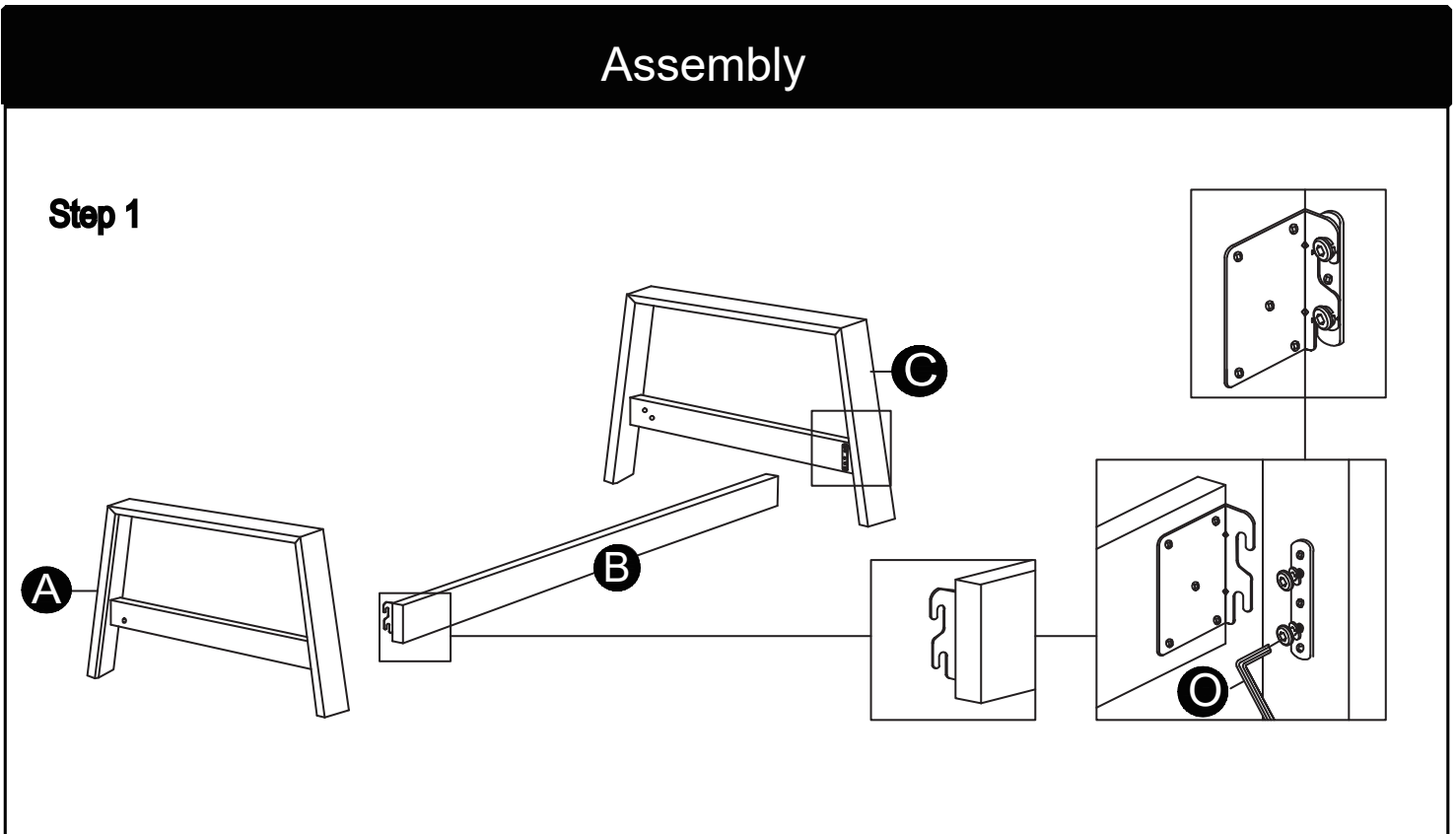
Your sofa comes packaged in one box.

DO NOT use any sharp objects to open plastic wrapped components as damage to product or components may result.

Carefully remove all of the components from the packaging and set aside for assembly. Assemble on a soft surface to prevent scratching the finish.

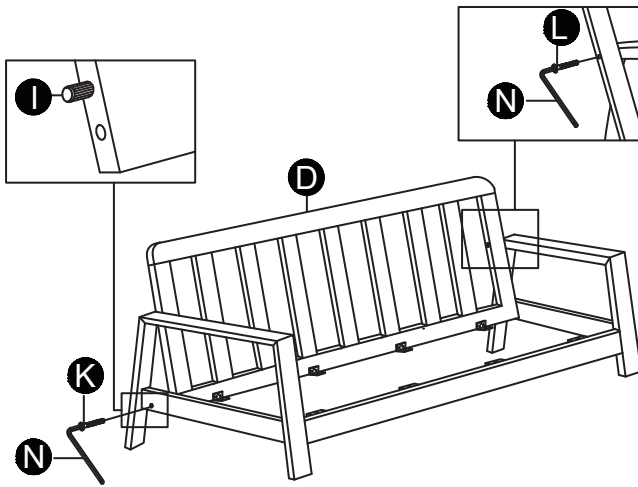


Parts List		Hardware List	
A 1 x Left Arm		F 3 x Seat Cushions	
B 1 x Front Rail		G 3 x Back Cushions	
C 1 x Right Arm		H 2 x Middle Legs	
D 1 x Back Frame		Hardware List	
E 1 x Seat Frame		I 2 x Wood Dowels	 M8 x 30mm
		J 2 x Wood Buttons	
		K 2 x Short Bolts	 M6 x 50mm
		L 2 x Long Bolts	 M6 x 70mm
		M 8 x Screws	 M4 x 25mm
		N 1 x Long Hex Key	 M4 x 100mm
		O 1 x Short Hex Key	 M5 x 70mm
		P Not included 1 x Phillips Screwdriver OR Power Screwdriver (low torque)	

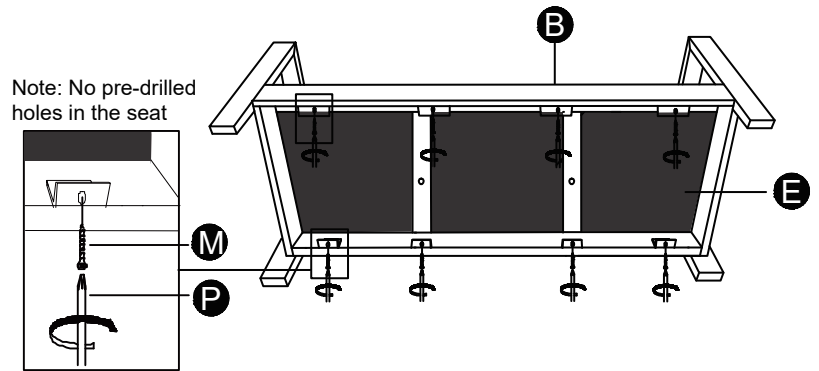


Assembly

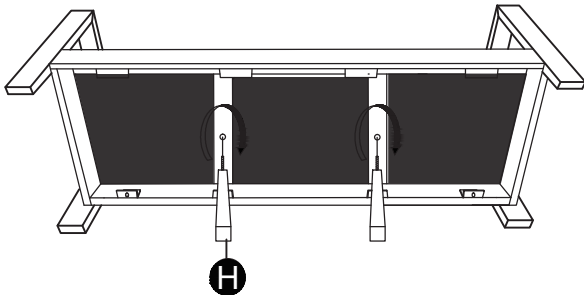
Step 2



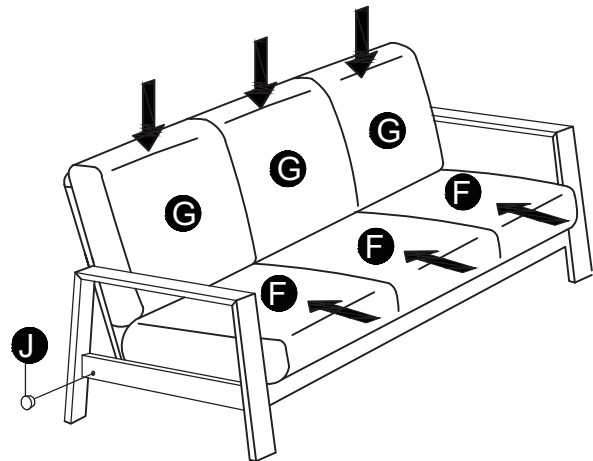
Step 3



Step 4



Step 5



Your sofa style may differ from images. Care for your furniture by periodically tightening all bolts using the included hex key. Fabric will fade or discolor in direct sunlight. Minimize exposure to direct sunlight to extend the life of your furniture.

One Year Warranty: The furniture is warranted against defects in workmanship and materials. Items covered would be seam slippage, frame structural integrity, fit and finish of parts. Items not covered would be product abused by the user, normal wear and tear, stains or discoloration due to use, damage in any transportation. Softening of foam is considered normal wear and tear and is not covered by warranty. Warranty is for PARTS ONLY and does not include transportation and labor costs associated with any warranty claim.

CAUTION: Tighten all components securely before use. Failure to do so may result in personal injury.

Customer Support: 866-238-0531
Mon-Fri 8:00am - 4:30pm CST
customerservice@furniturequestions.com