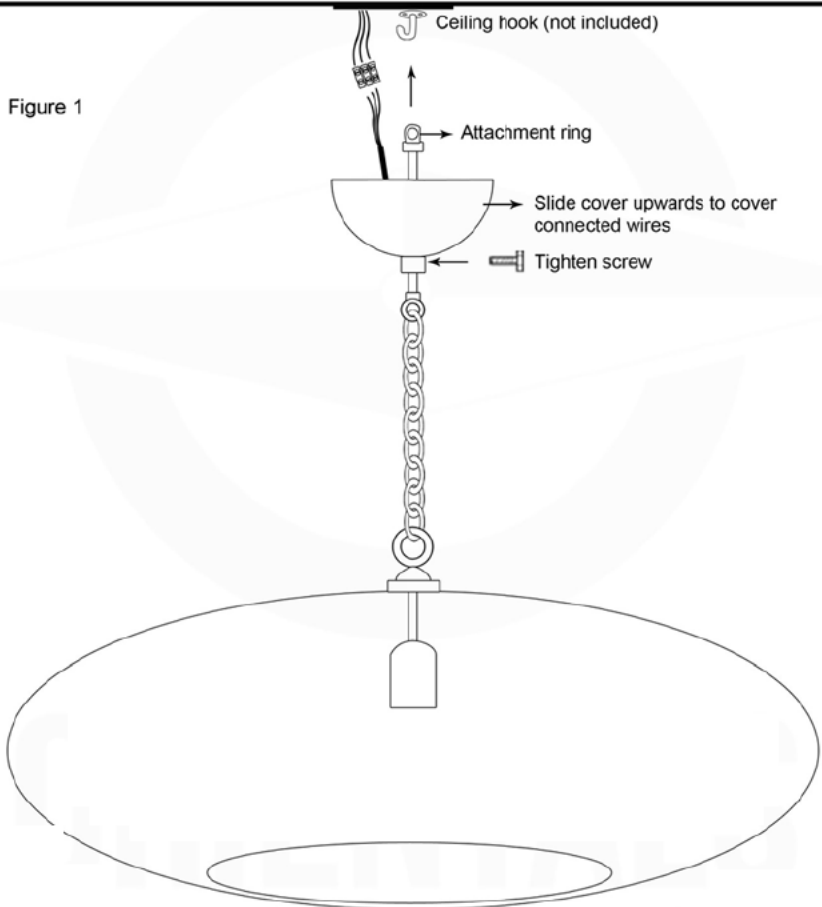


INSTALLATION INSTRUCTIONS

Figure 1



1. Attach the ring to the ceiling hook
2. Connect house electrical wires to the thermal connector as indicated in fig 2
3. Slide the cover upwards to cover wiring and tighten screw to keep the cover in place

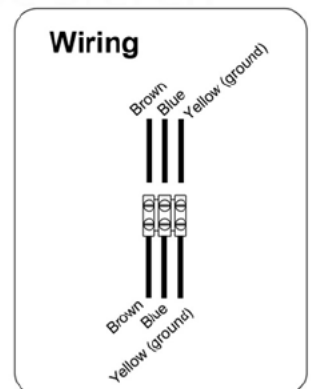


Figure 2