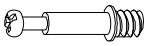
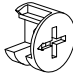



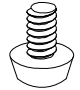
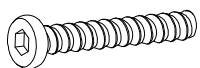
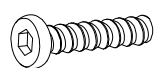
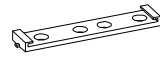
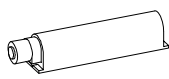


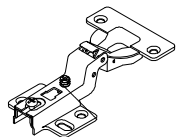
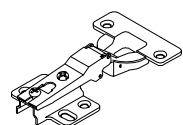






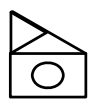

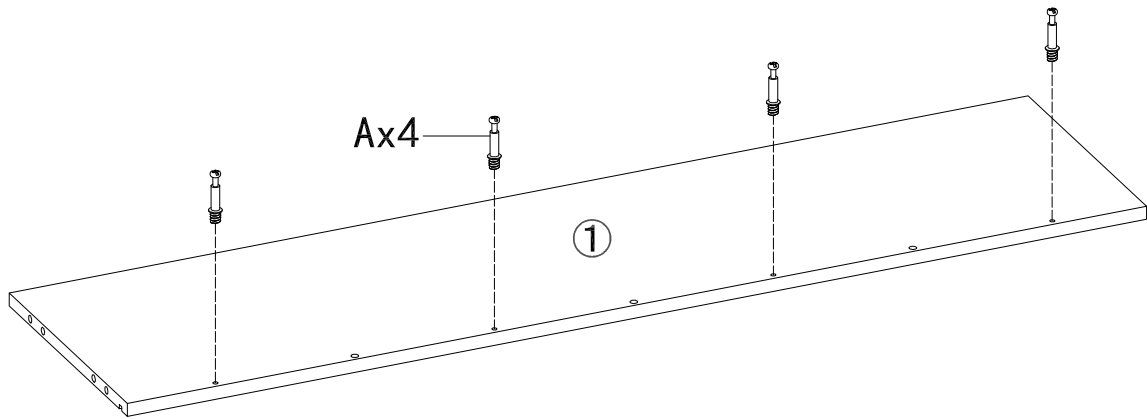
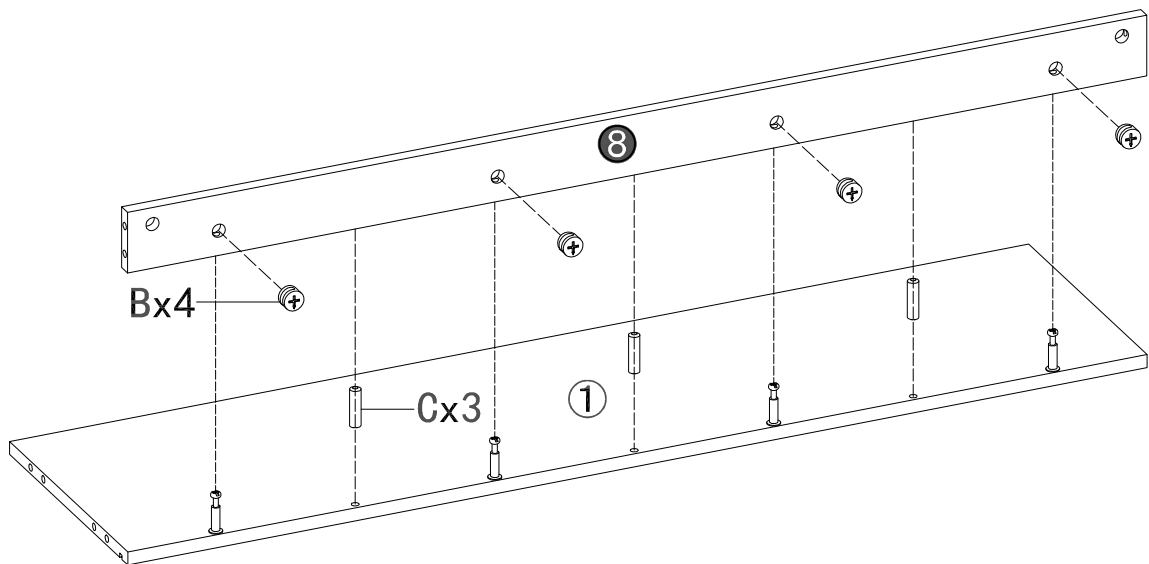


A	B	C	D	E	F
				 M3.5*14mm	
20	20	25	6	56	4
G	H	I	J	K	L
 M6*40	 M6*30				 M3*12mm
8	10	4	4	4	4
M	N	O	P	Q	R
			 M3.5*35mm	  6*30mm	
4	4	4	1	1	1
S	T				
 					
6	2				

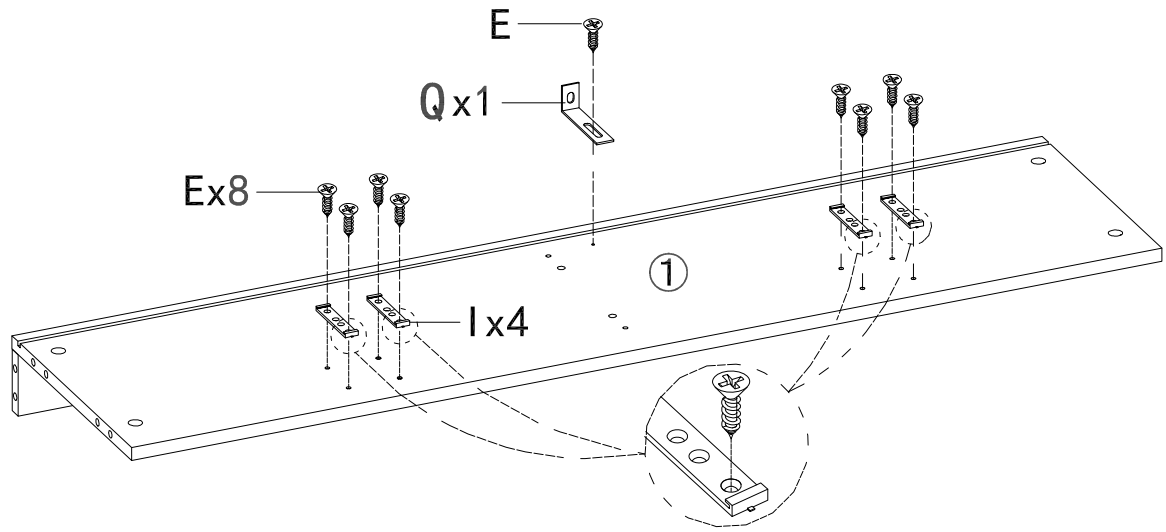
Step1



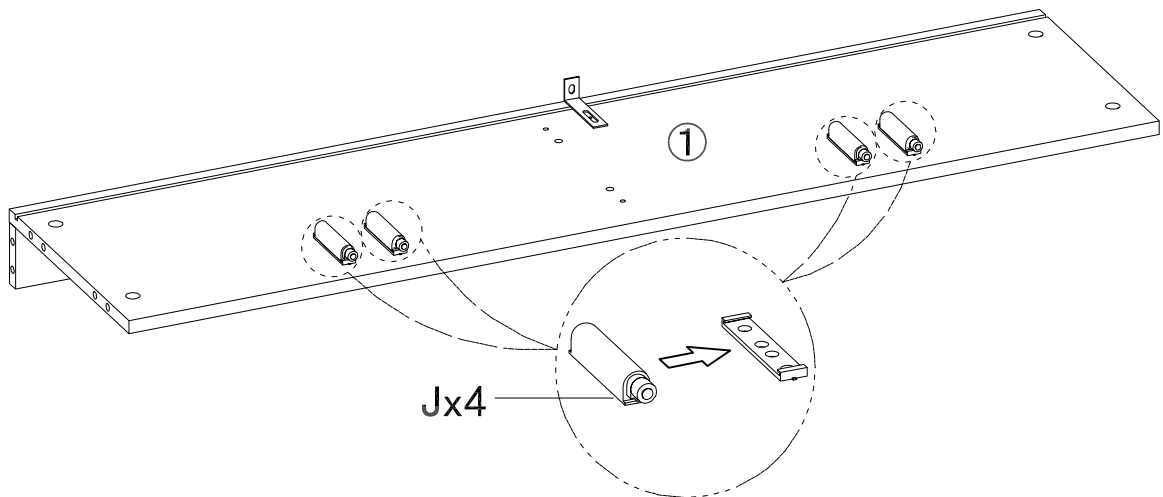
Step2



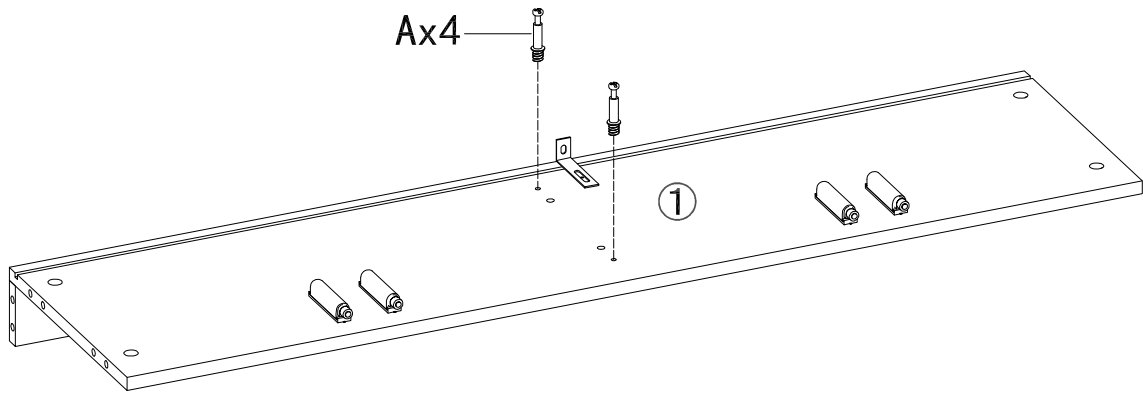
Step3



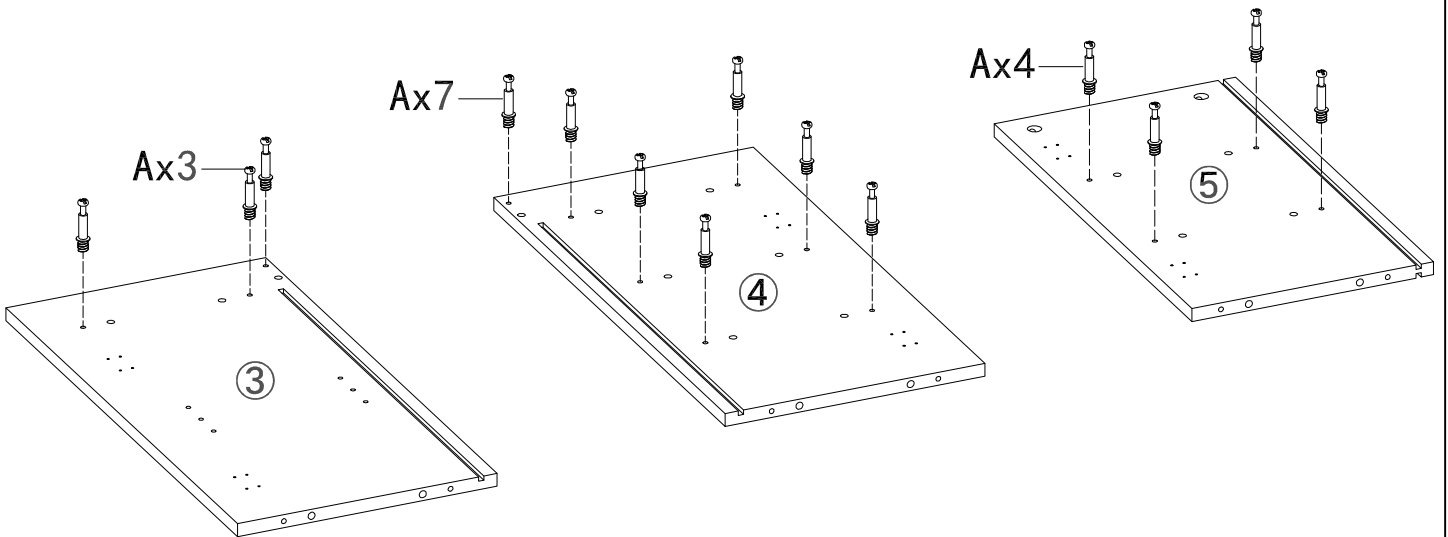
Step4



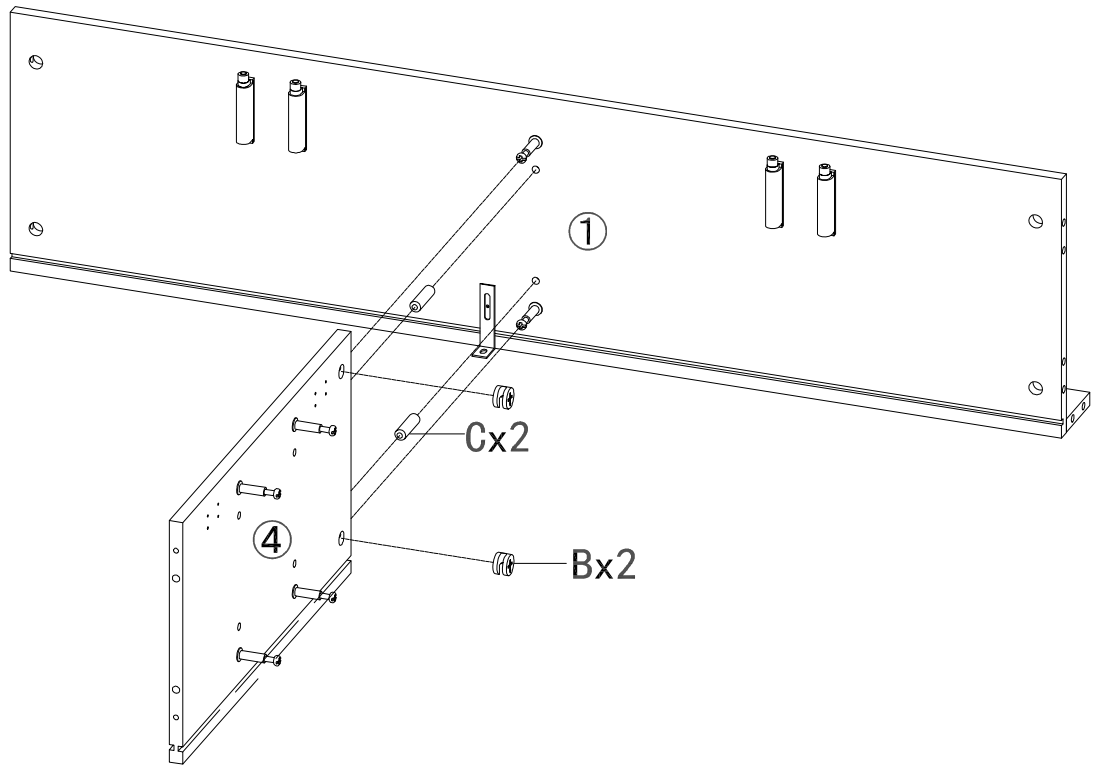
Step5



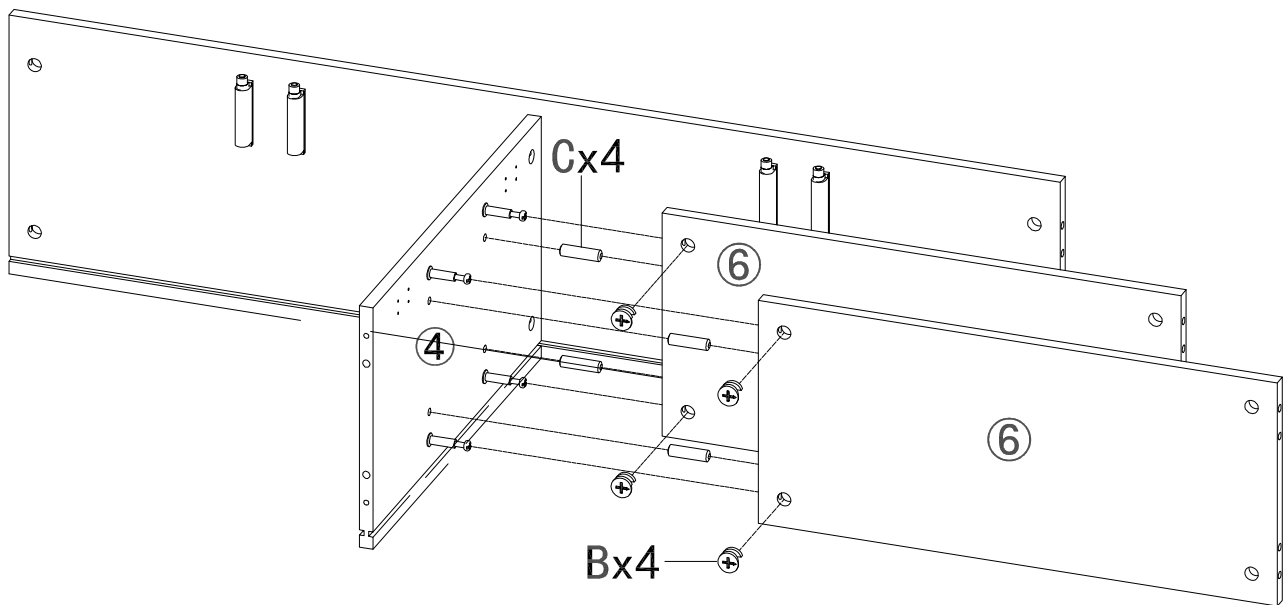
Step6



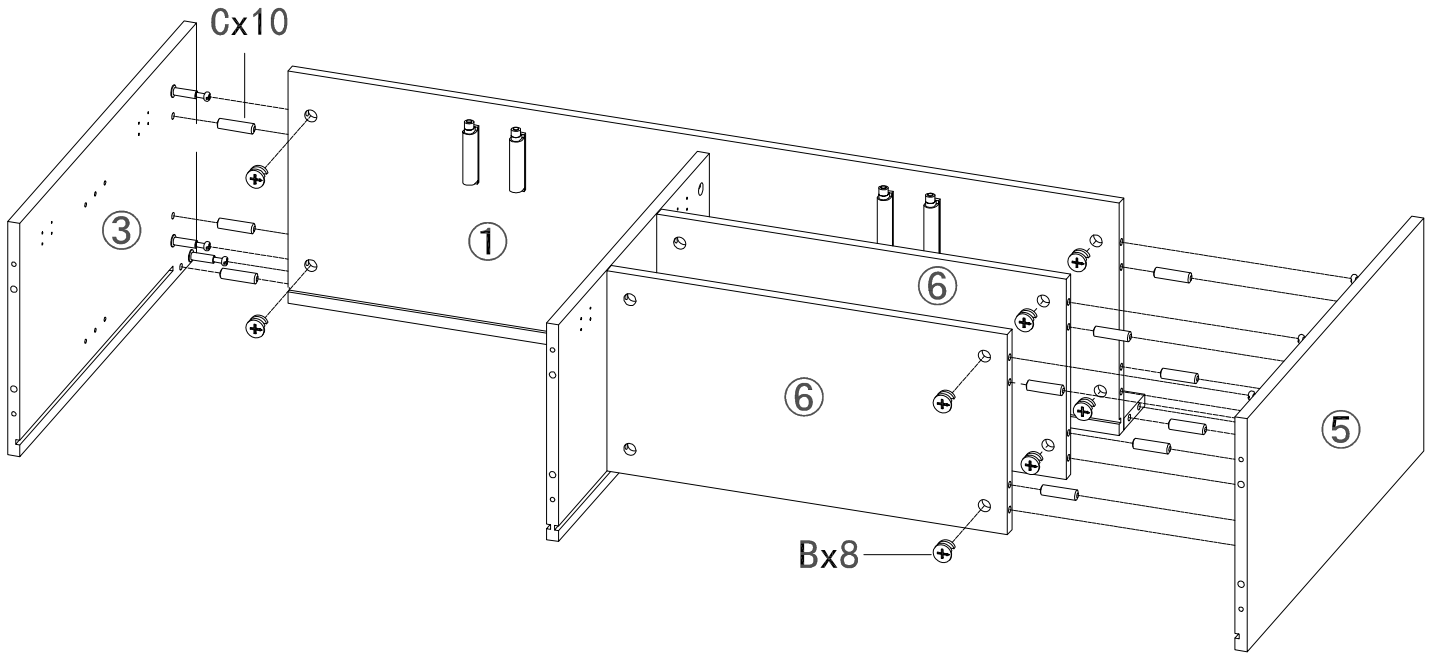
Step7



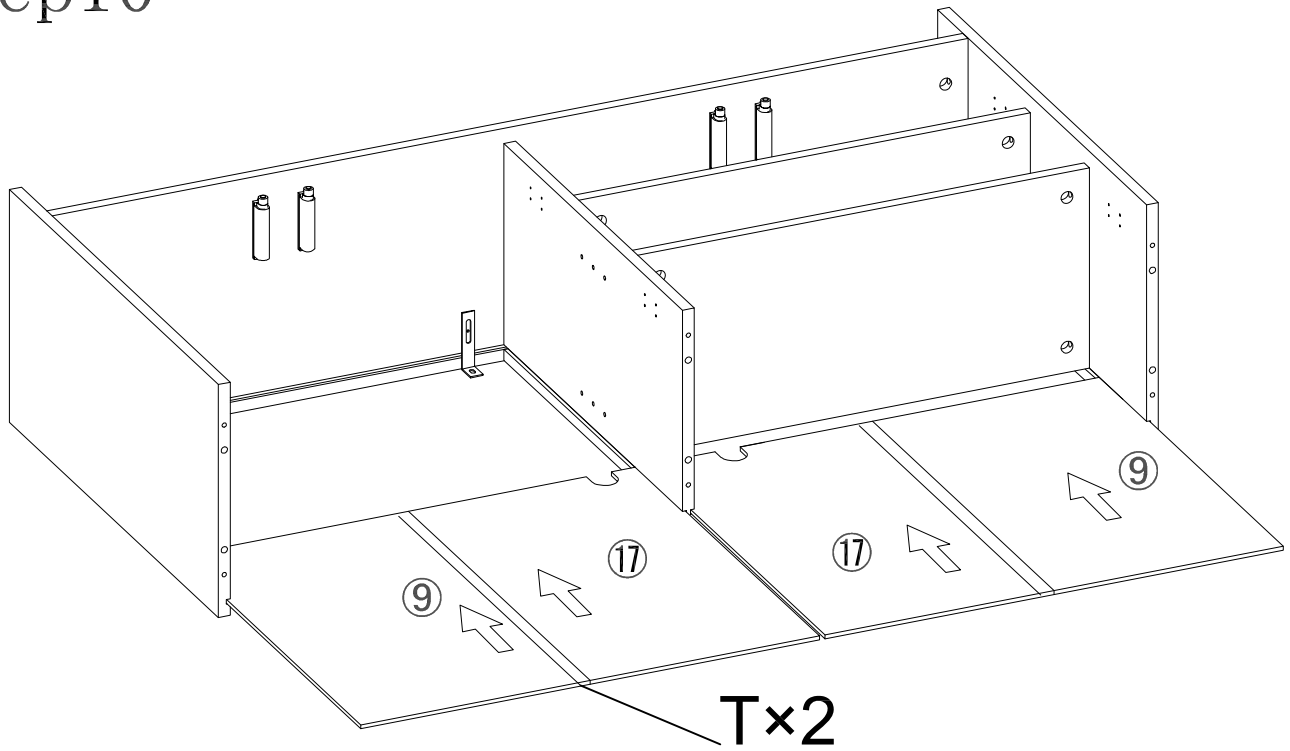
Step8



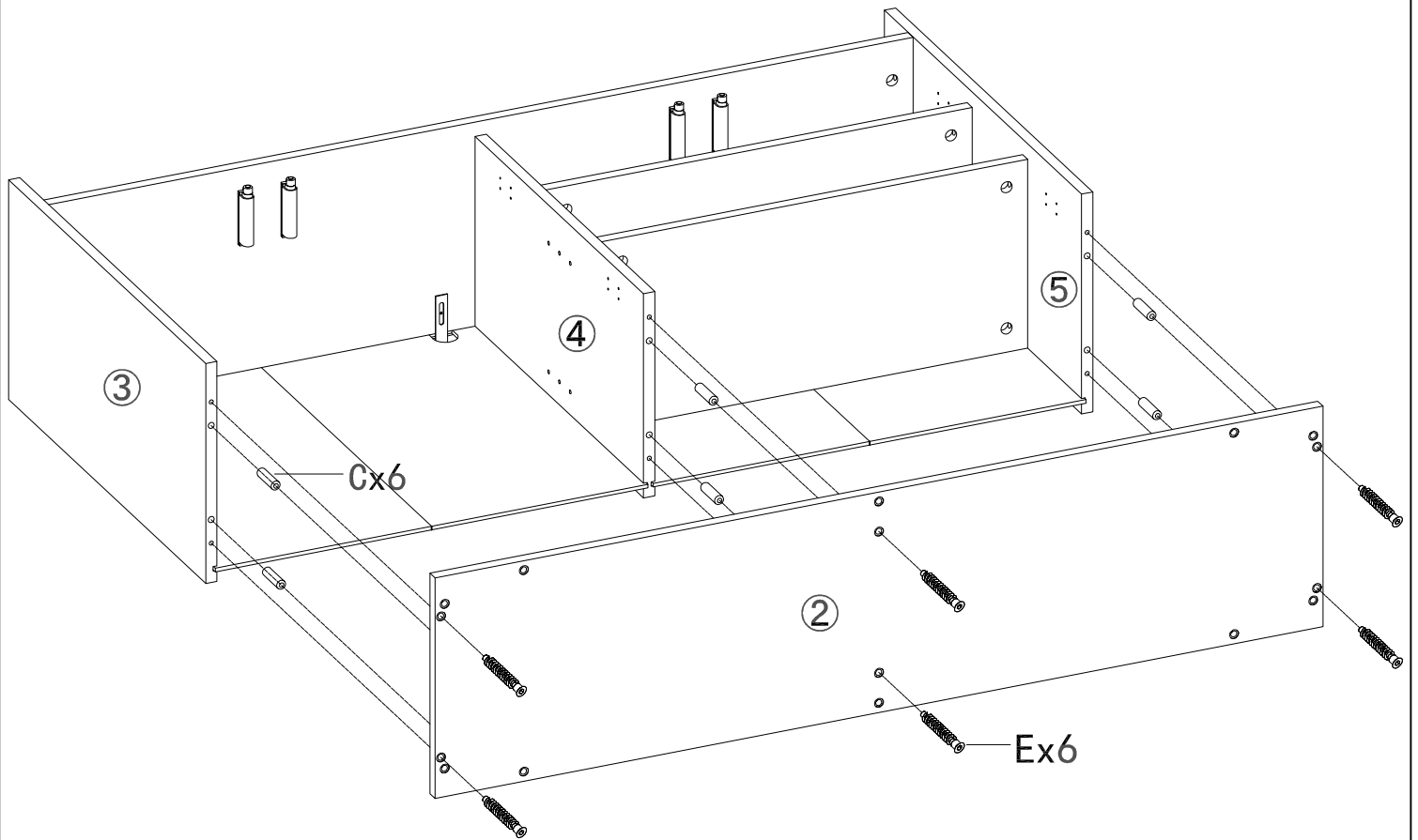
Step9



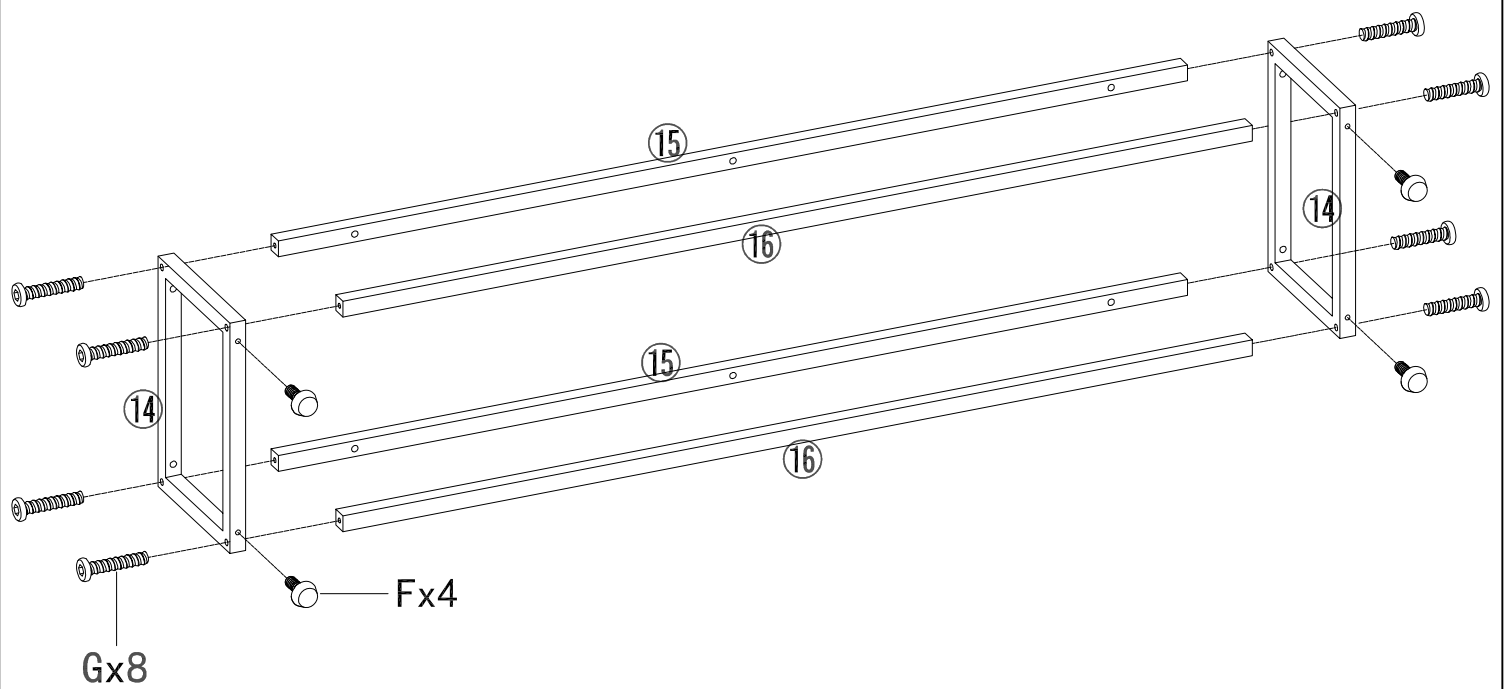
Step10



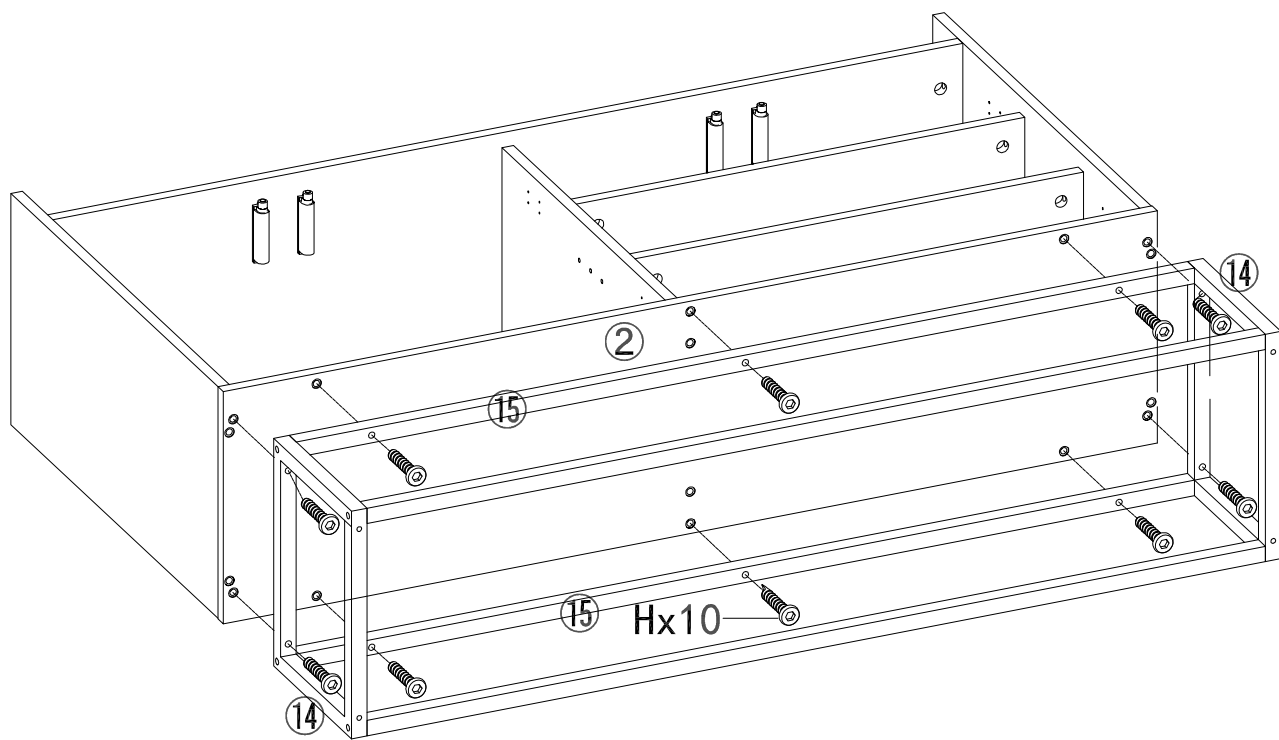
Step11



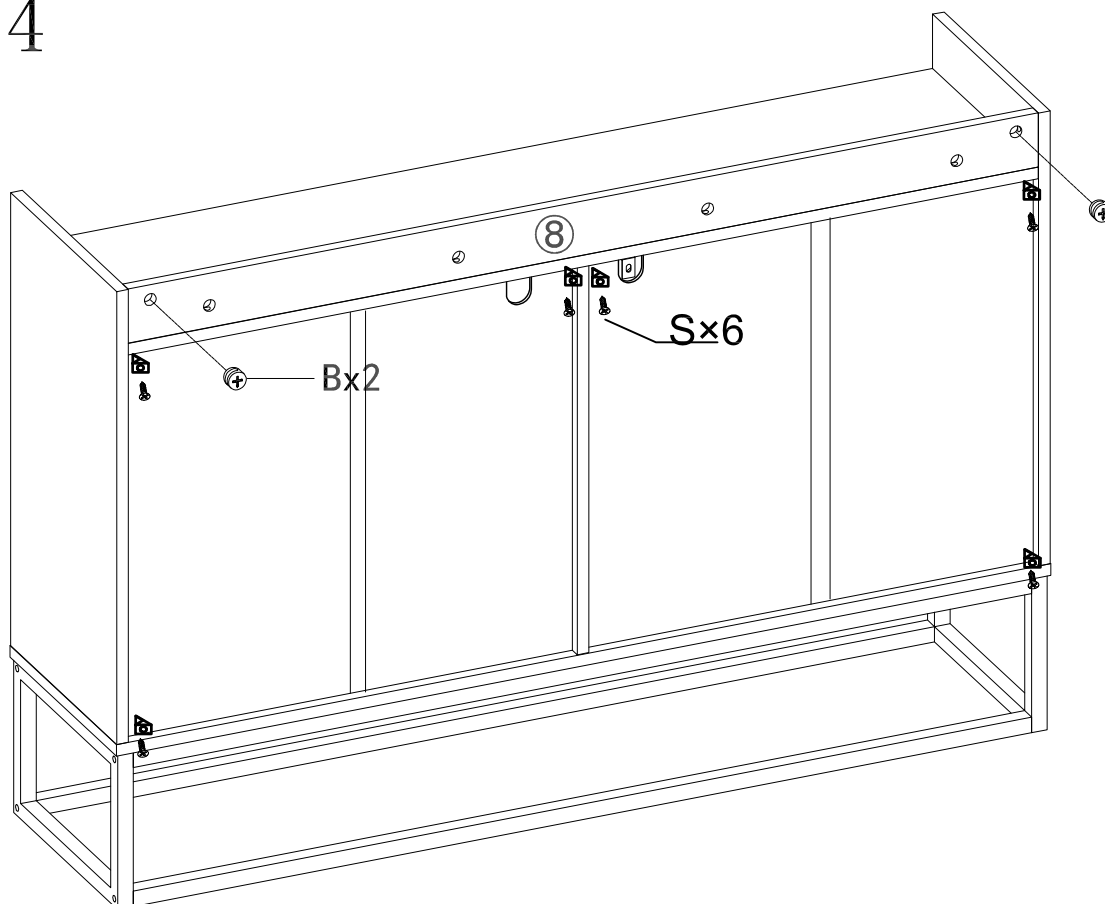
Step12



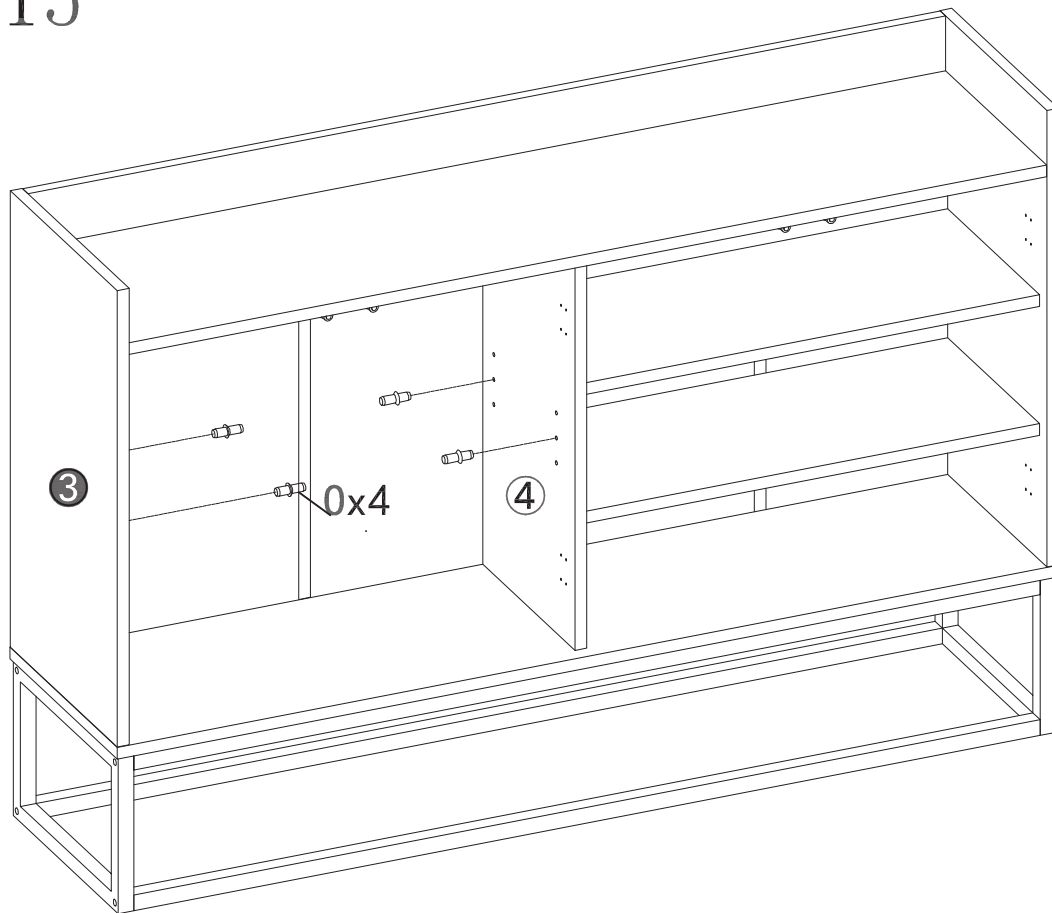
Step13



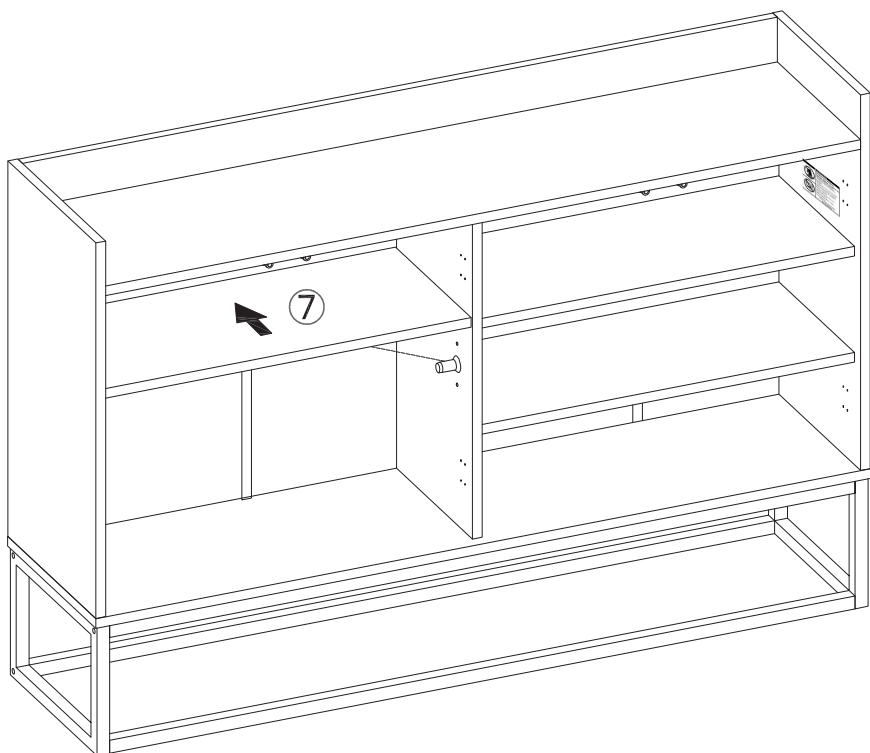
Step14



Step 15



Step 16



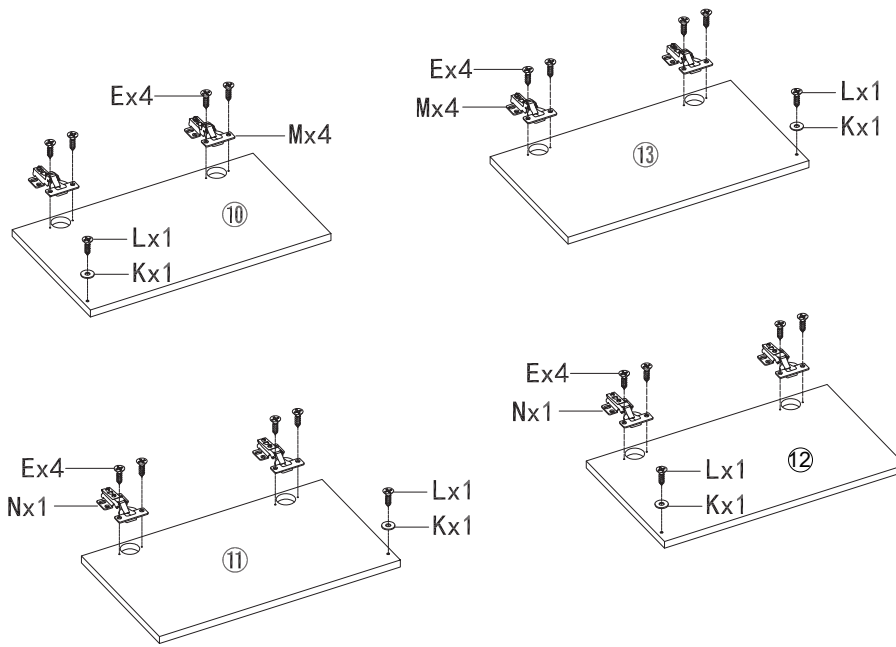
WARNING

Children have died from furniture tipover. To reduce the risk of furniture tipover:

- ALWAYS install Anti-tip device provided.
- NEVER put a TV on this product.
- NEVER allow children to stand, climb or hang on any drawers, doors, or shelves.
- NEVER open more than one drawer at a time.
- Place heaviest items in the lowest drawers.

This is a permanent label. Do not remove!

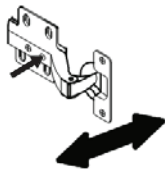
Step17



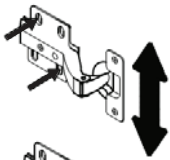
Step18

HINGE ADJUSTMENT GUIDE

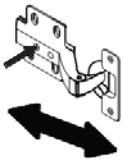
It may be necessary to adjust the hinges so that the doors align. Use the instructions below as a guide.



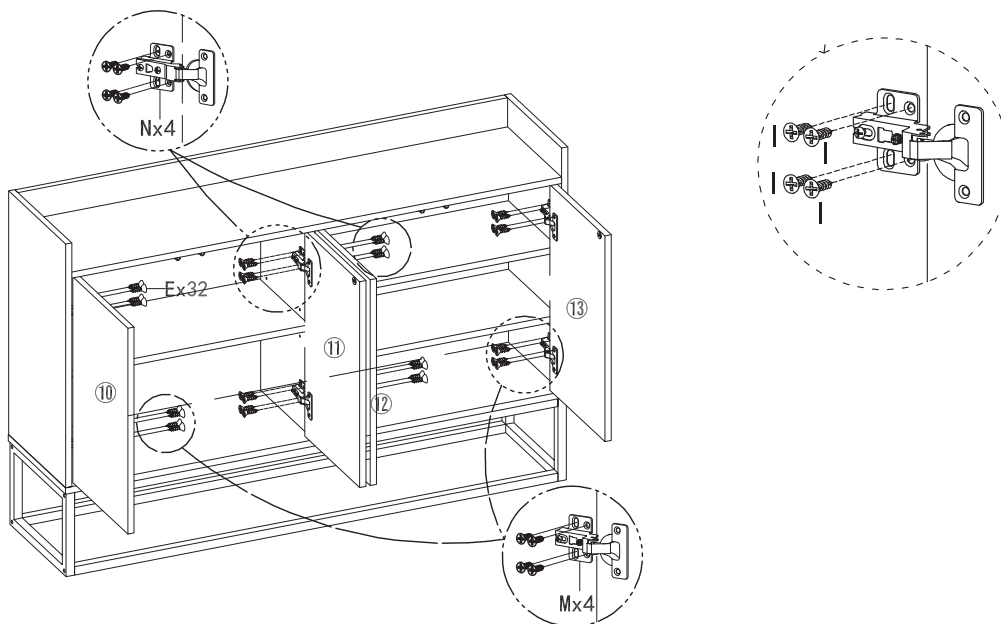
To adjust the door **laterally** adjust the screw as shown by turning clockwise or anti-clockwise.



To adjust the door **vertically** loosen the screw as shown and move up and down as needed.



To adjust the **gap** from the door to the main frame turn the screw clockwise or anti-clockwise as needed.



Step 19

