



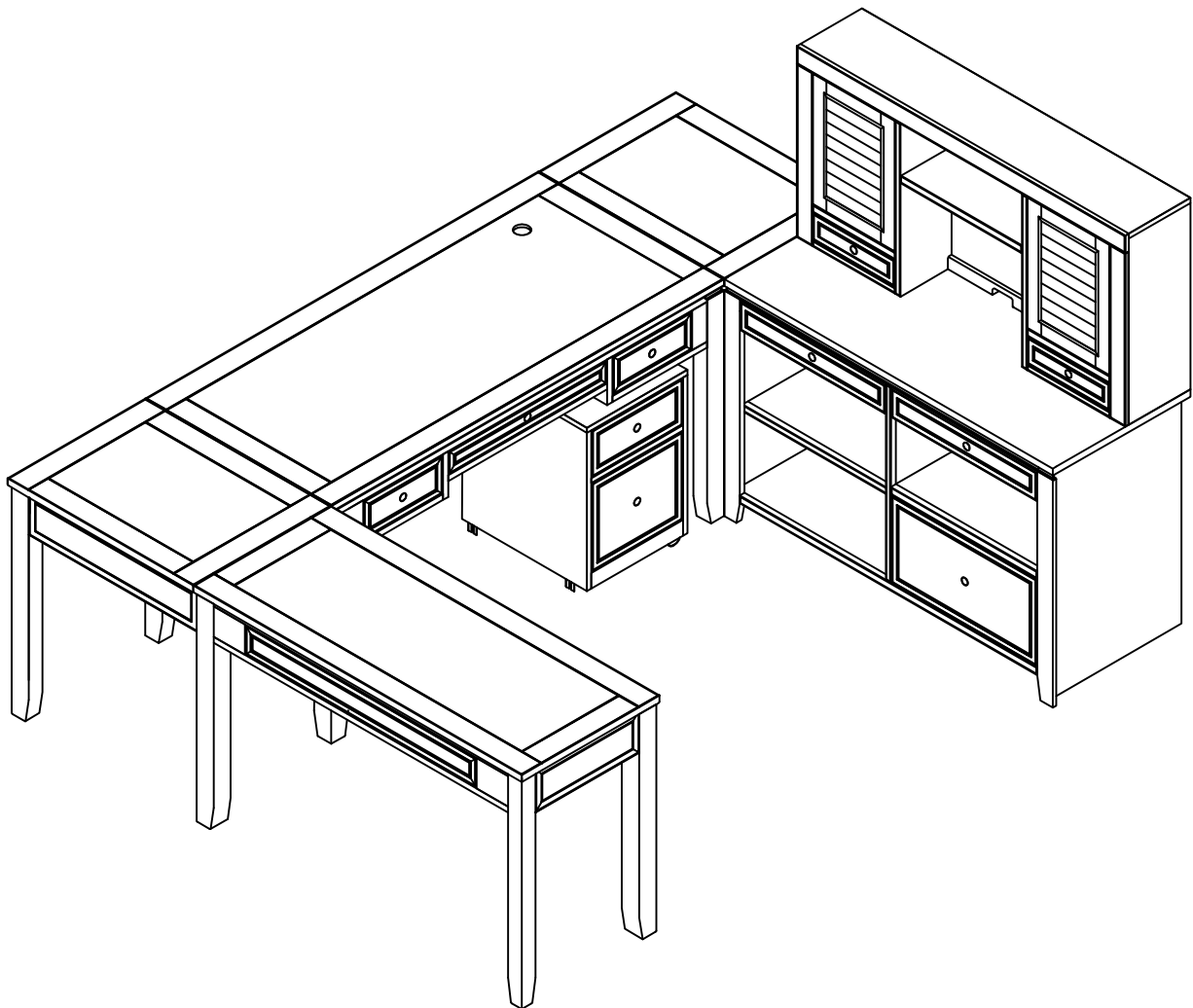
Parker House
FURNITURE

Assembly Instruction

Item No: BOC-347D

Description : DESK

Rev 2 :2021-11-05





Parker House
FURNITURE

Assembly Instruction

Item No: BOC-347D

Description : DESK

Rev 2 :2021-11-05

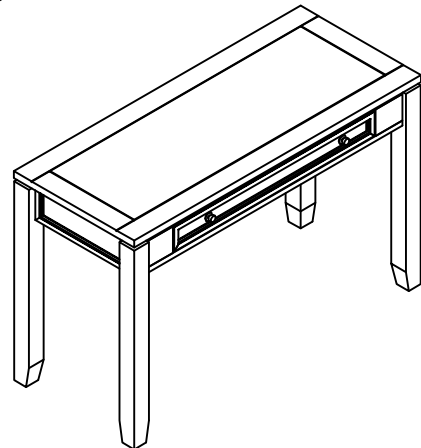
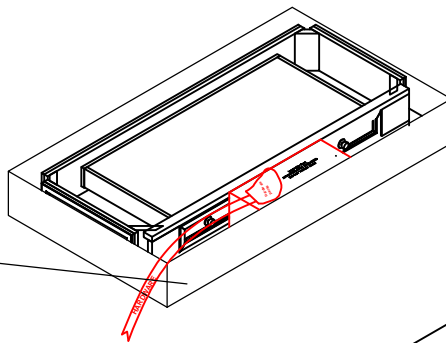
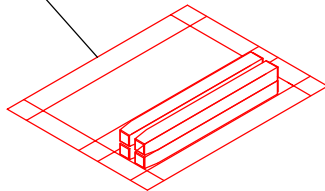
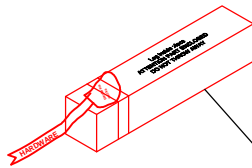
HARDWARE LIST

No	Description	Sketch	Q'TY
A	Allen wrench 5mm		1PC
B	Bolt Ø 5/16"x2-1/2"		8PCS
C	Lock washer Ø5/16"x12mm		8PCS
D	Flat washer Ø5/16"x19mm		8PCS

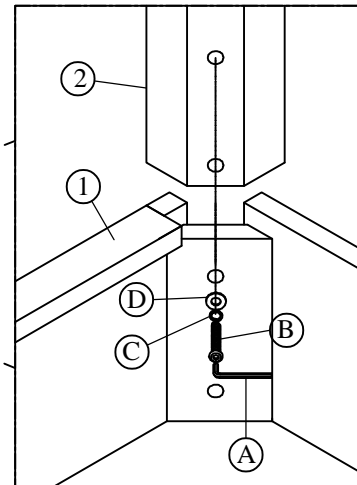
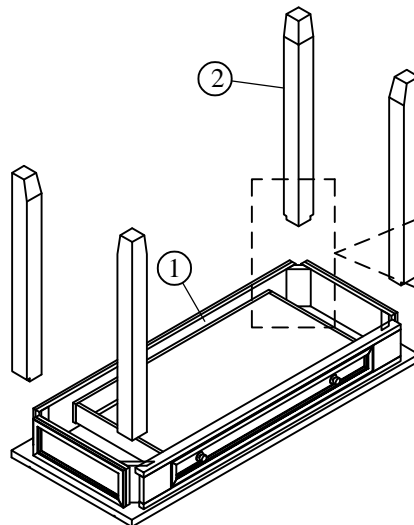
PARTS LIST

TABLE TOP (1PC)	LEG (4PCS)
①	②

Hardware and leg pack is here



STEP 1




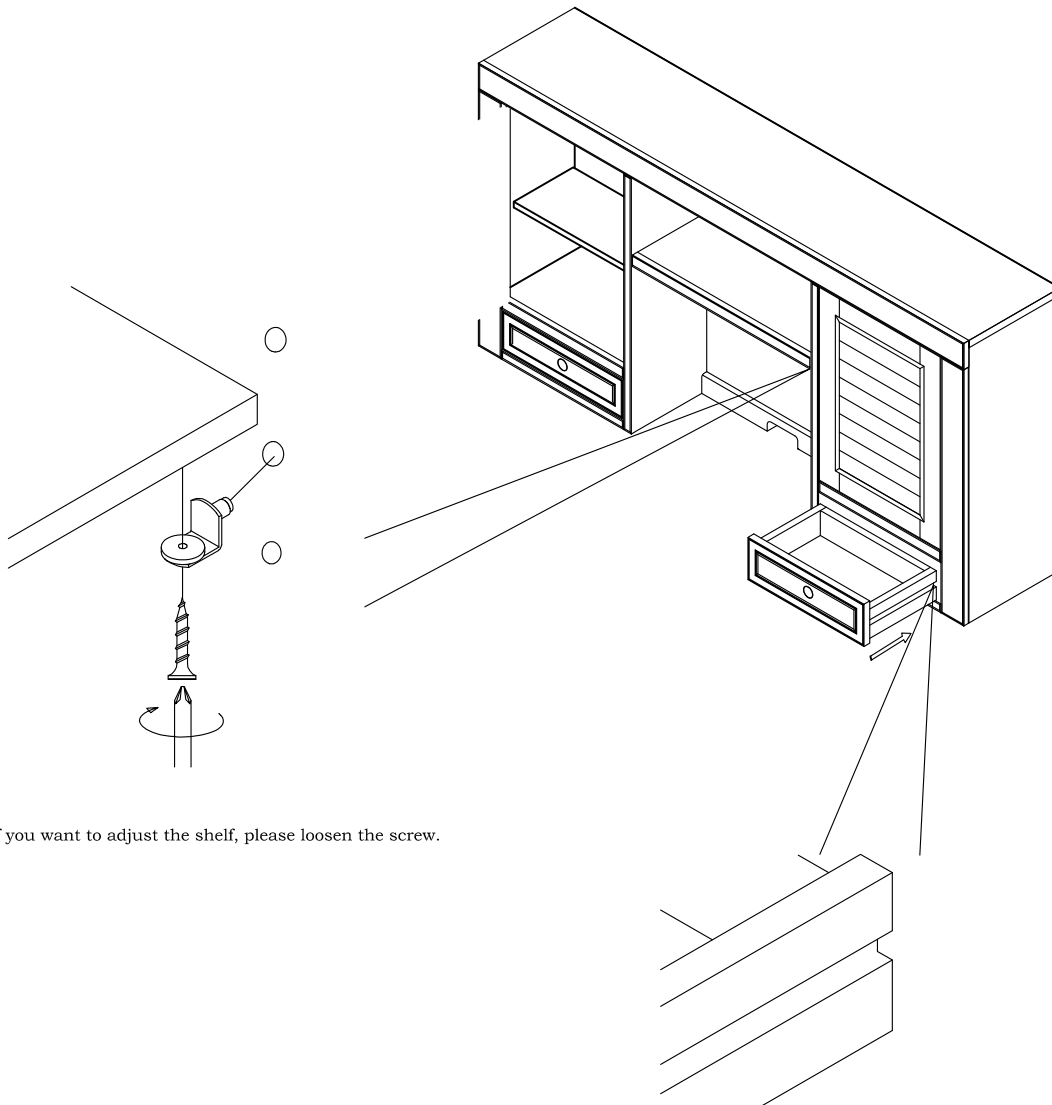
Assembly Instruction

Item NO: BOC-347H

6/10

Hardwares

NO	Description	Sketch	Q'TY
A	Touch up Pen		1pc



If you want to adjust the shelf, please loosen the screw.



Parker House
FURNITURE

Assembly Instruction

Item No: BOC-357D

Description : DESK

Rev 2 :2021-11-05

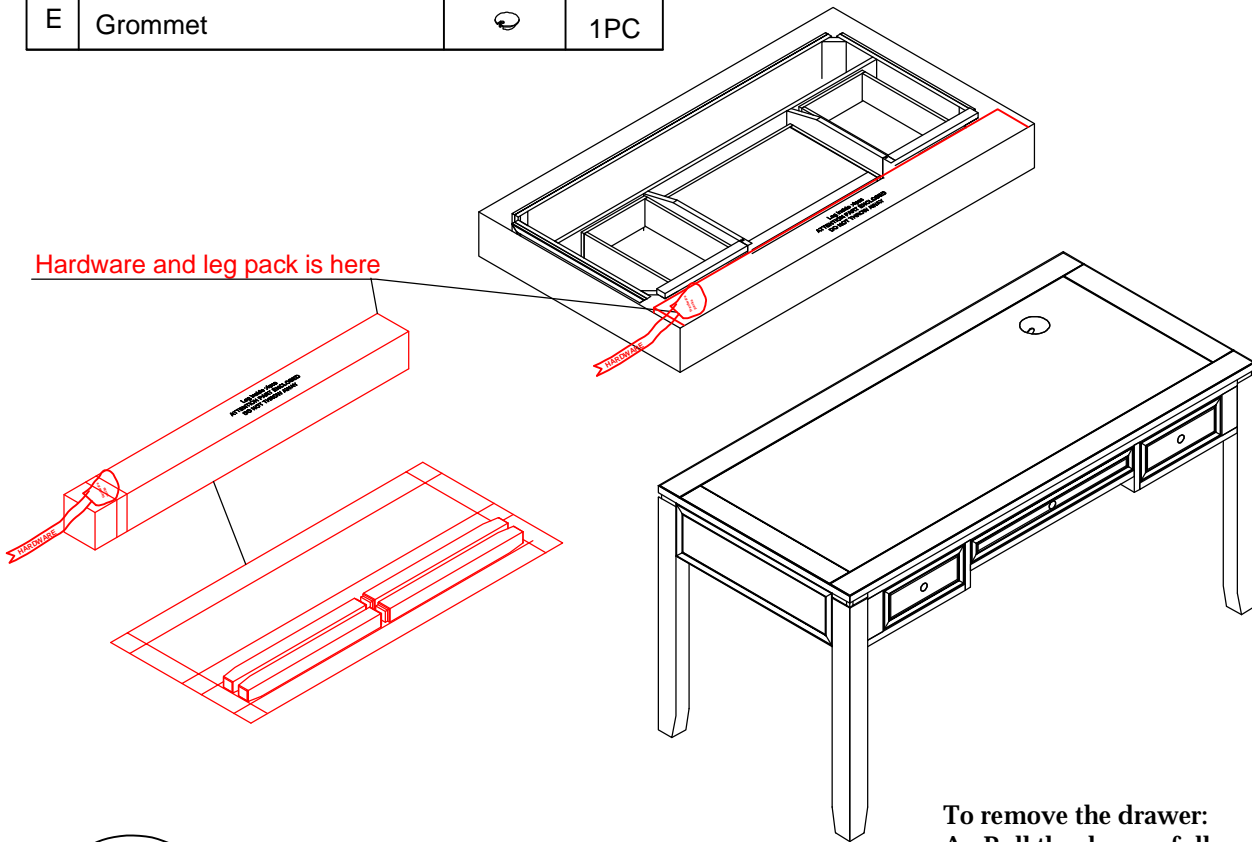
HARDWARE LIST

No	Description	Sketch	Q'TY
A	Allen wrench 5mm		1PC
B	Bolt Ø 5/16"x2-1/2"		8PCS
C	Lock washer Ø5/16"x12mm		8PCS
D	Flat washer Ø5/16"x19mm		8PCS
E	Grommet		1PC

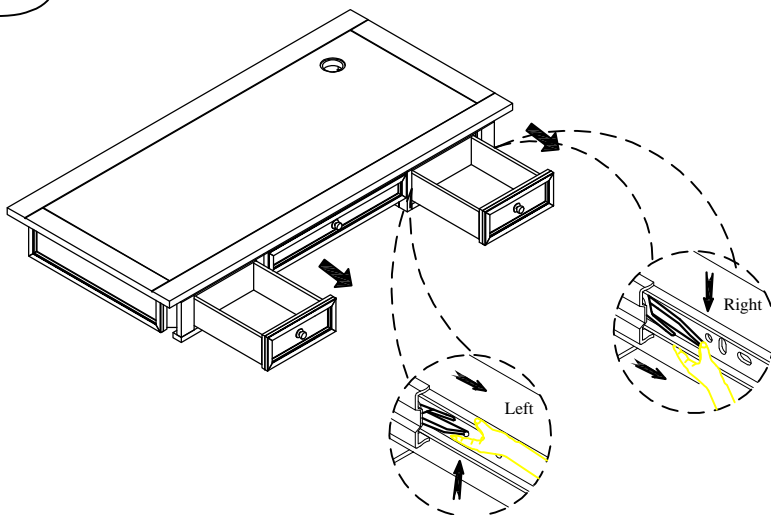
PARTS LIST

TABLE TOP (1PC)	LEG (4PCS)
①	②

Hardware and leg pack is here



STEP 1



To remove the drawer:

- A. Pull the drawer fully open so the black lever is visible in the inside channel of the guides.
- B. Push 'down' on the right lever and 'up' on the left lever. While holding levers in place, pull drawer forward until slides release. If the slides will not release, push both levers in opposite directions.



Parker House
FURNITURE

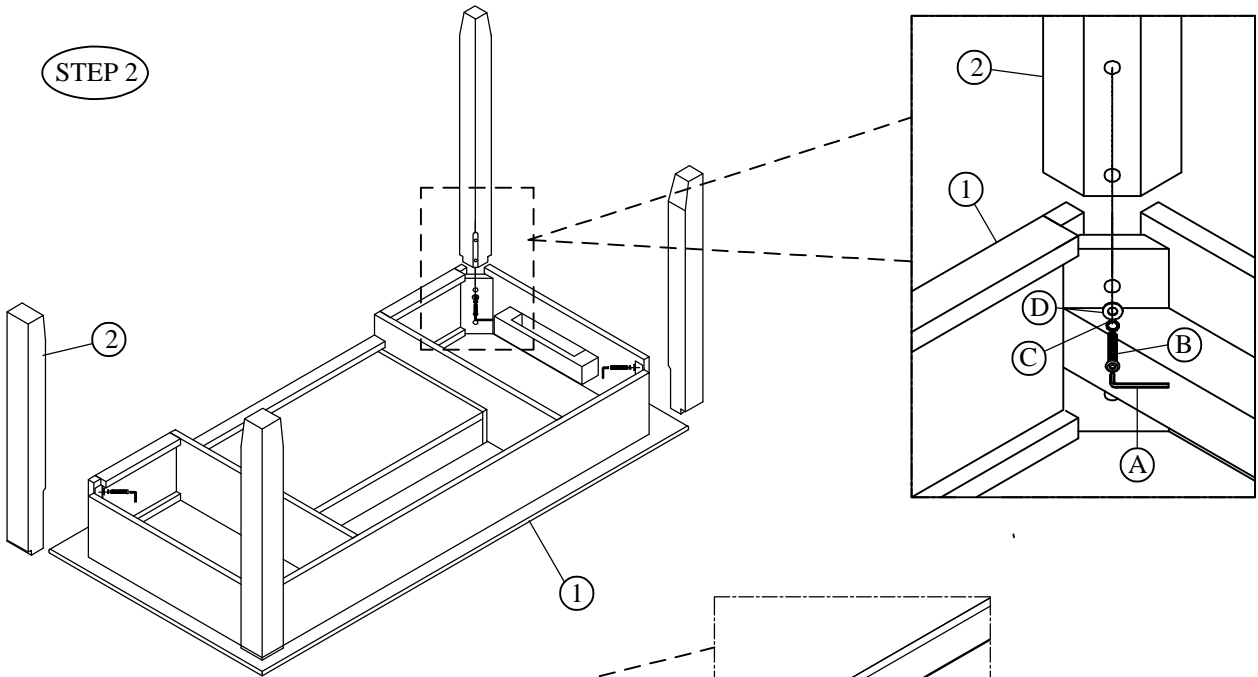
Assembly Instruction

Item No: BOC-357D

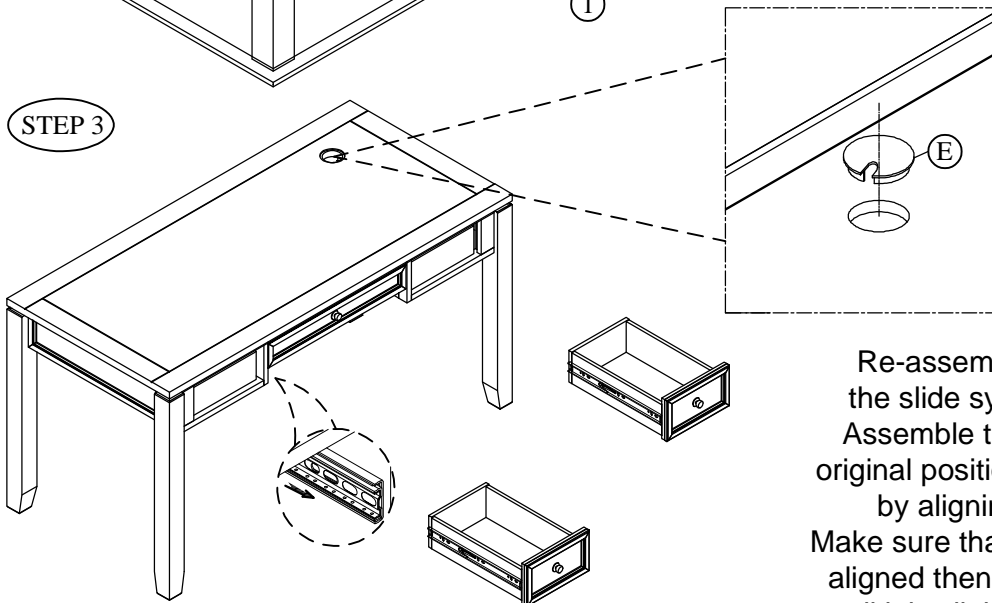
Description : DESK

Rev 2 :2021-11-05

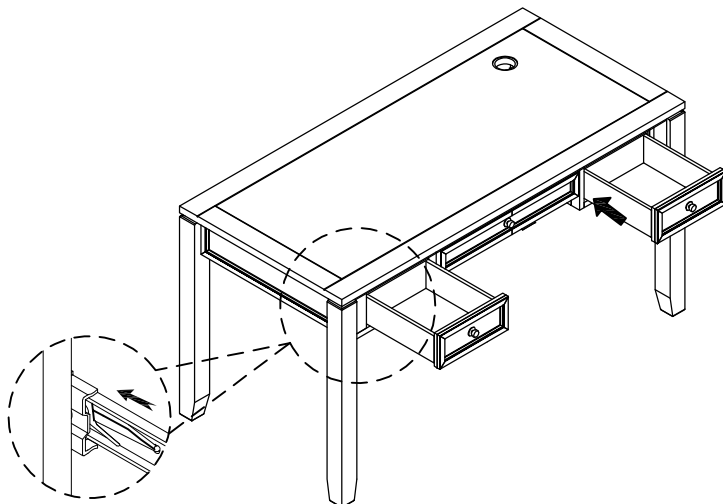
STEP 2



STEP 3



Re-assemble the drawers onto the slide system of the desk top. Assemble the drawer back into its original position of the Top Frame (1) by aligning the metal glides. Make sure that both sides are properly aligned then gently push the drawer until it is slightly stopped by the slide. See Step 3. Open and close the drawer 3 times to make sure the drawer operates smoothly.





Parker House
FURNITURE

Assembly Instruction

Item No: BOC-370

Description : CORNER TABLE

Rev 2 :2021-11-05

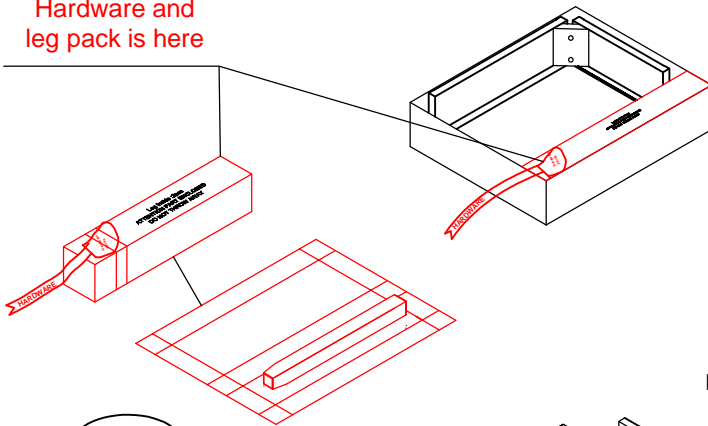
HARDWARE LIST

No	Description	Sketch	Q'TY
A	Allen wrench 5mm		1PC
B	Bolt Ø 5/16"x2"		2PCS
C	Lock washer Ø5/16"x12mm		2PCS
D	Flat washer Ø5/16"x19mm		2PCS
E	Allen wrench 4mm		1PC
F	Bolt Ø 1/4"x1-1/2"		5PCS
G	Bolt Ø 1/4"x3/4"		8PCS
H	Lock washer Ø1/4"x12mm		13PCS
I	Flat washer Ø1/4"x19mm		13PCS
J	Long metal bracket		1PC
K	Short metal bracket		1PC

PARTS LIST

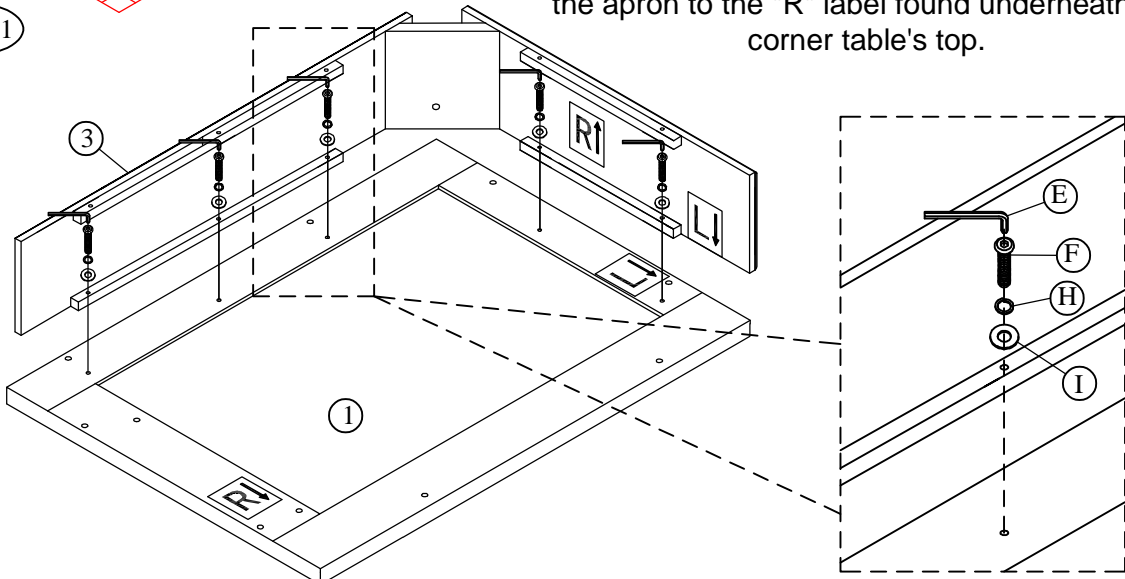
TABLE TOP (1PC)	LEG (1PC)
①	②
CORNER TABLE (1PC)	

Hardware and leg pack is here



STEP 1

To set up a left corner table, please match the "L" label on the apron to the "L" label found underneath the corner table's top. to set up a right corner table, please match the "R" label on the apron to the "R" label found underneath the corner table's top.





Parker House
FURNITURE

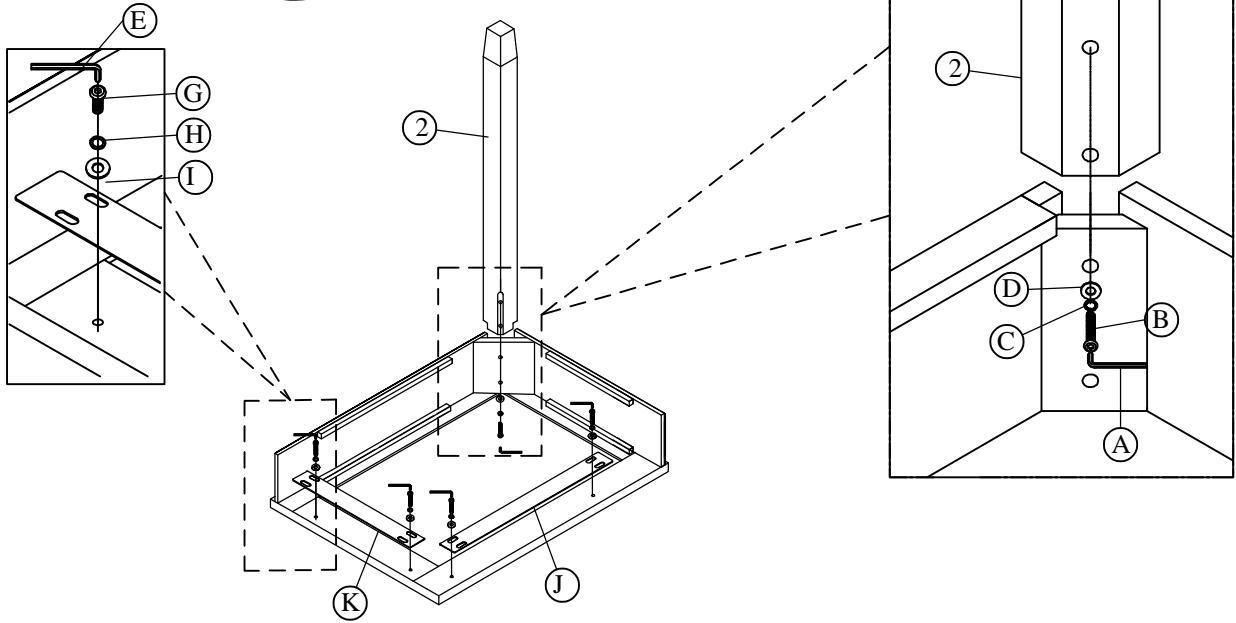
Assembly Instruction

Item No: BOC-370

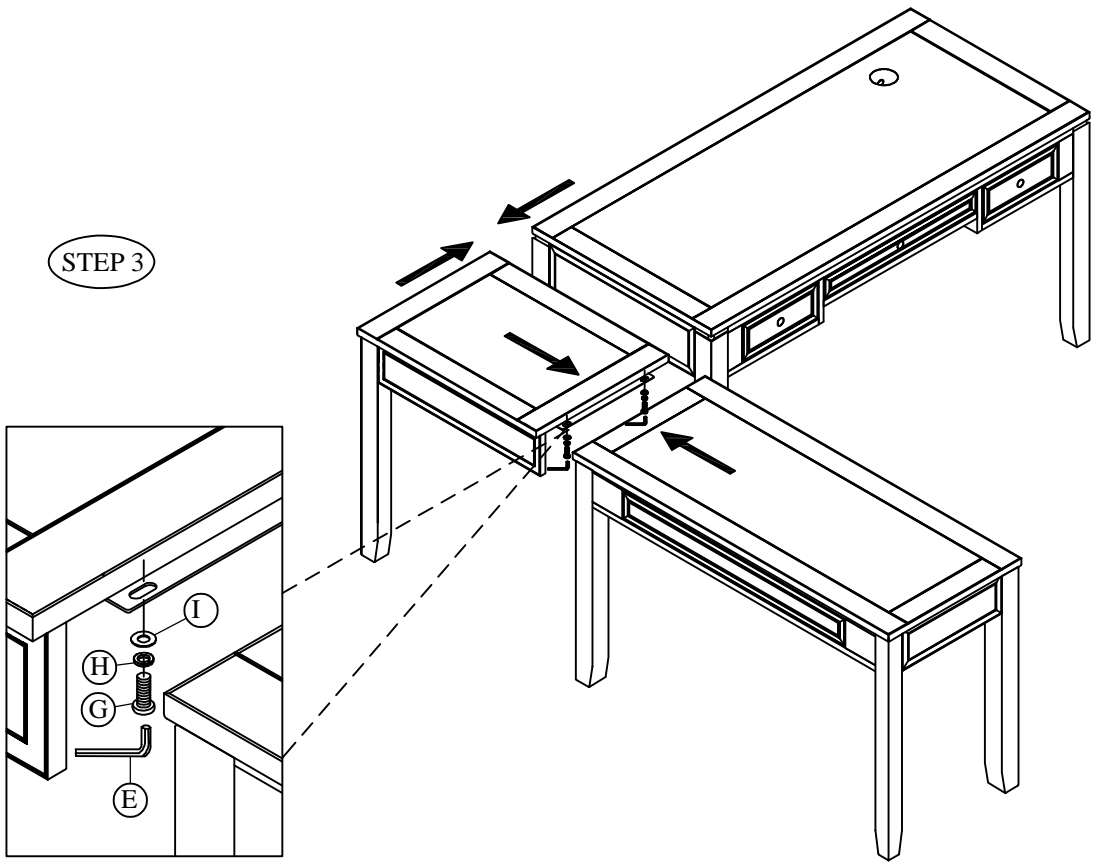
Description : CORNER TABLE

Rev 2 :2021-11-05

STEP 2



STEP 3



Configuration for BOC-370, BOC-357D &
BOC-347D assembling together.




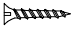

Parker House
FURNITURE

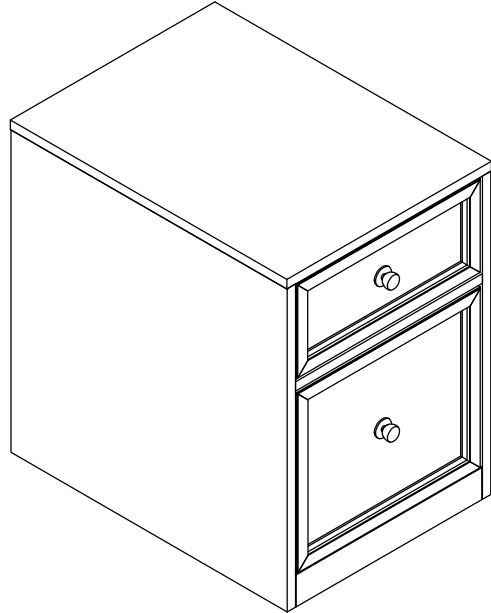
Assembly Instruction

Item No: BOC-375

Description : ROLLING FILE

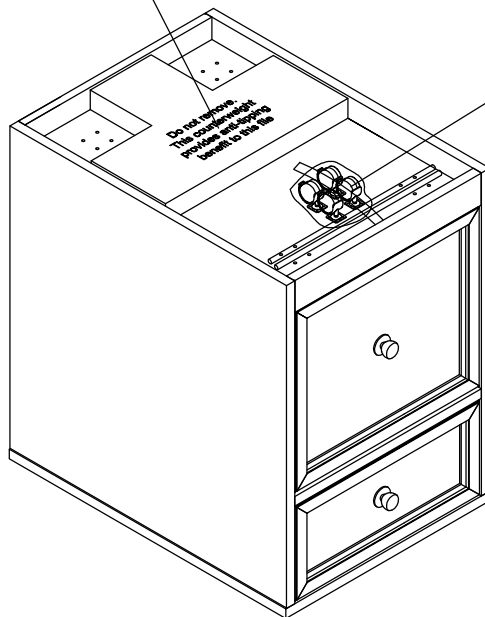
HARDWARE LIST

No	Description	Sketch	Q'TY
A	Caster		4PCS
B	Screw Ø4x5/8"		17 PCS
C	File rods 296mm x Ø7		2PCS



STEP 1

Do not remove.
This counterweight
provides anti-tipping
benefit to this file



HARDWARE
File rods pack is here

The above diagram shows a counter weight placed under the bottom of the file cabinet. Do not remove this weight as it will greatly reduce the chance of tip over.



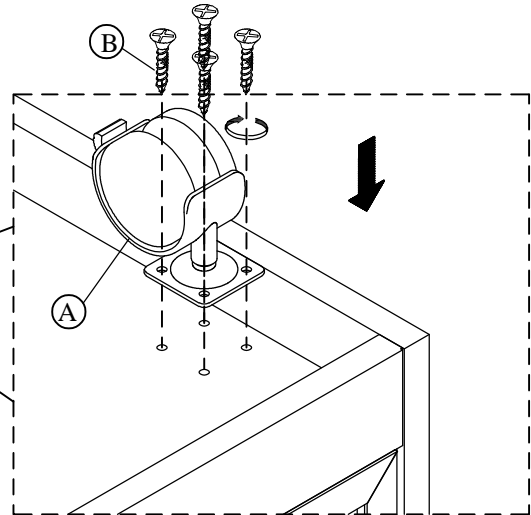
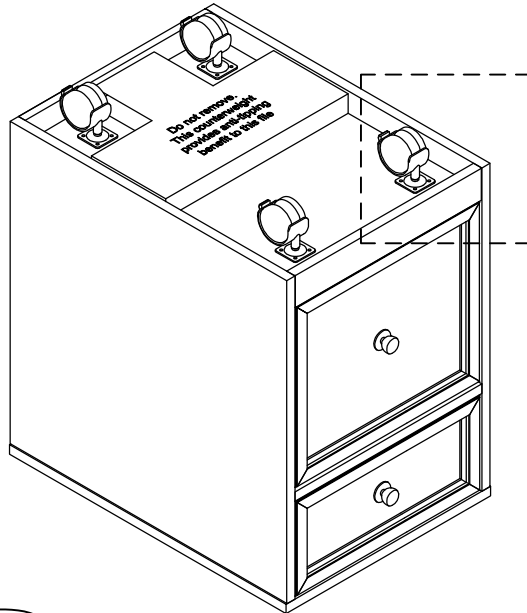
Parker House
FURNITURE

Assembly Instruction

Item No: BOC-375

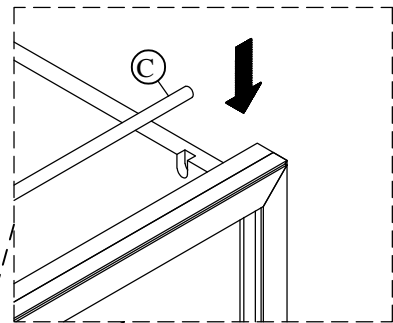
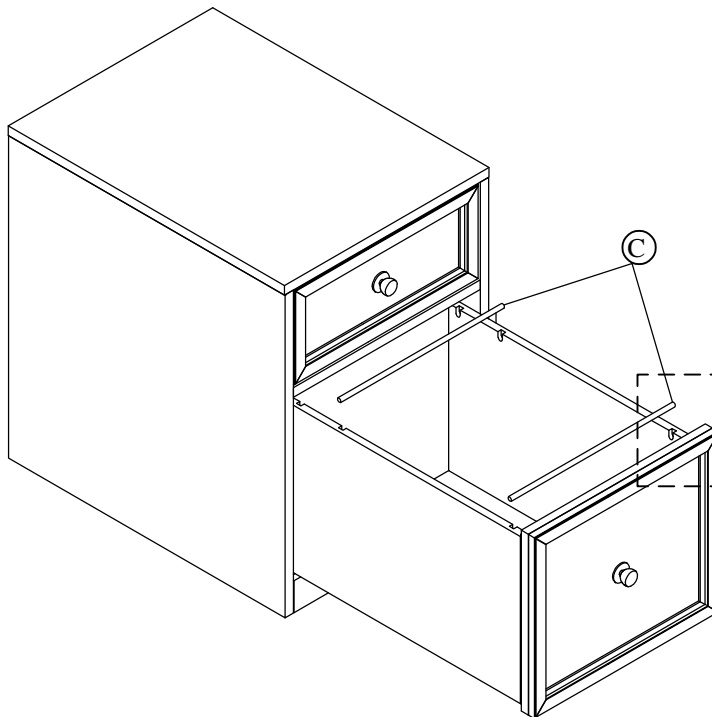
Description : ROLLING FILE

STEP 2



Use Screw(B) to fix the casters through the predrilled holes to the bottom of the Lateral File.

STEP 3



WARNING: To prevent tip over, never open both drawers at the same time.