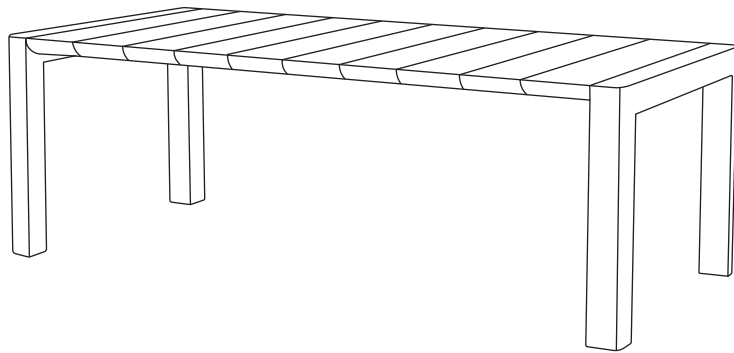
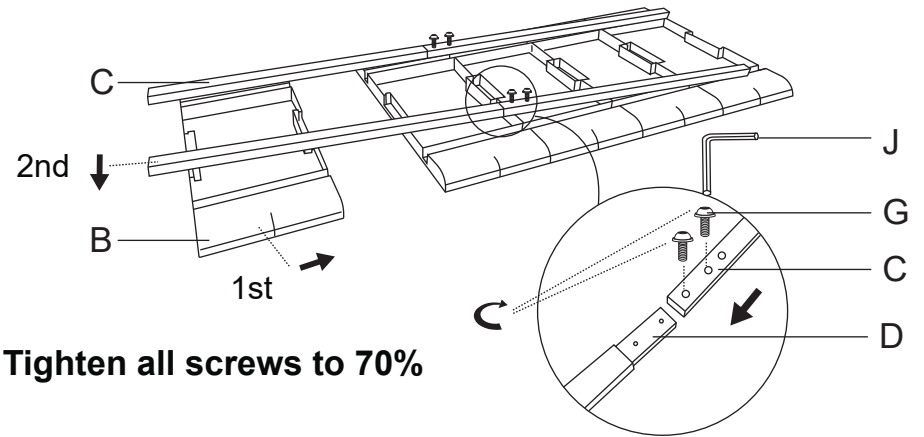


ASSEMBLY INSTRUCTIONS

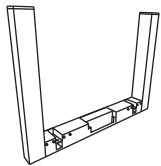
Assemble on a soft surface to protect the tabletop



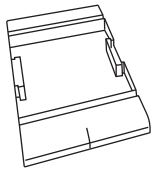
1



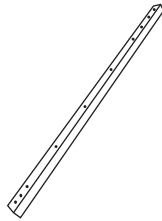
Ax2



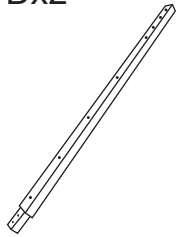
Bx5



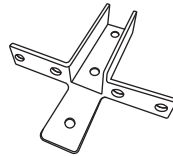
Cx2



Dx2

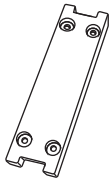


Ex4



2

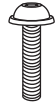
Fx6



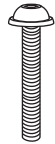
Gx32



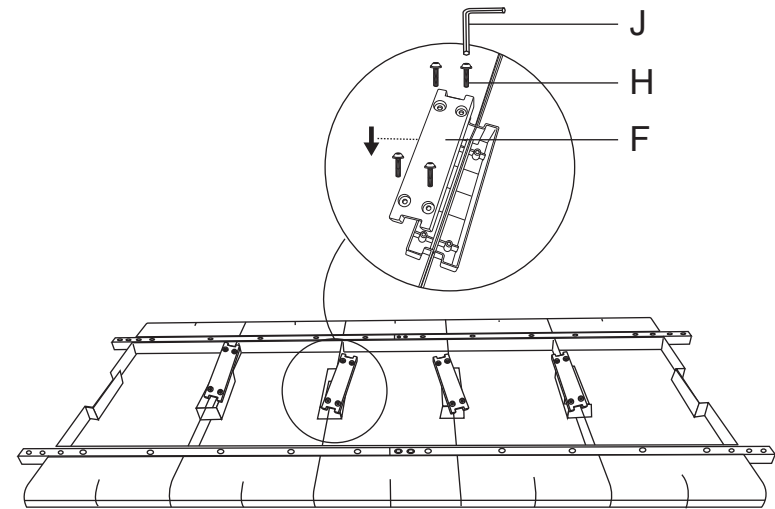
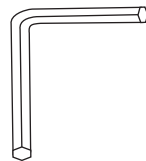
Hx24



Ix20

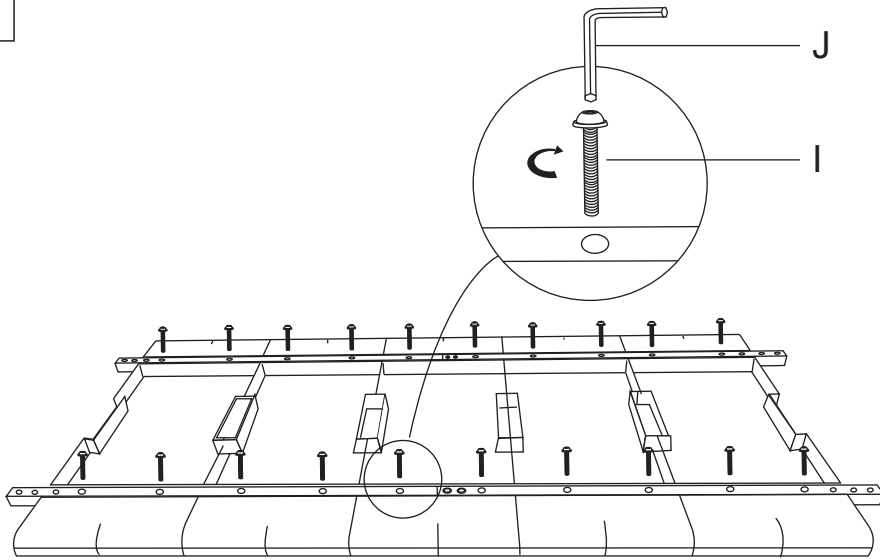


Jx1

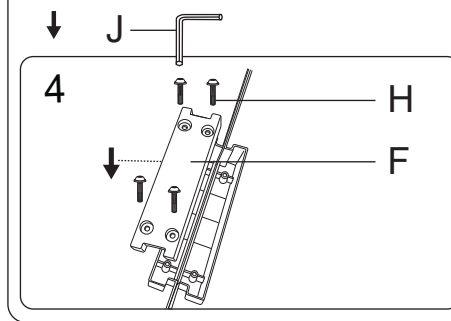
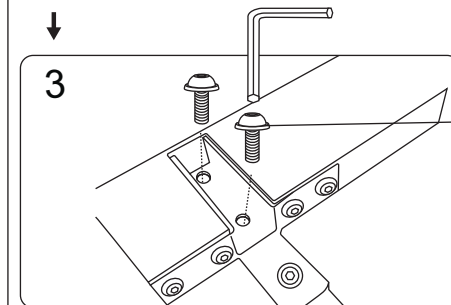
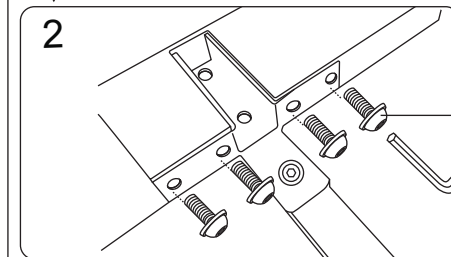
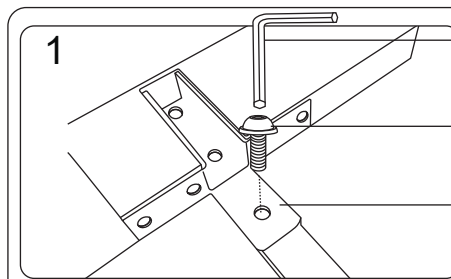


ASSEMBLY INSTRUCTIONS

3



5



Install in order:
1,2,3,4

Once assembled
fully tighten all the
screws

With help from a
second person,
carefully lift and turn
the table upright

4

