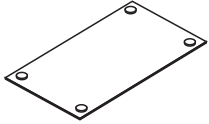


ASSEMBLY INSTRUCTION

DINING TABLE

A Glass Top



1pc

B Table Leg



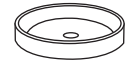
4pcs

C Thread Rod
M12x730mm



4pcs

D Metal Base
M80



4pcs

E Hex Nut
M12



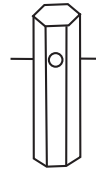
4pcs

F Washer
M12x24mm

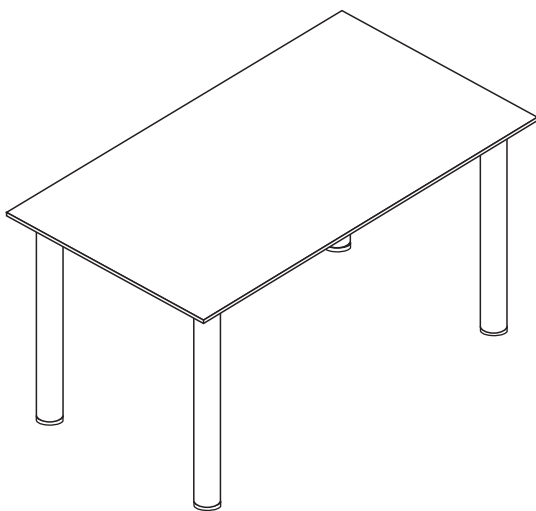


4pcs

G Hex Wrench
M12

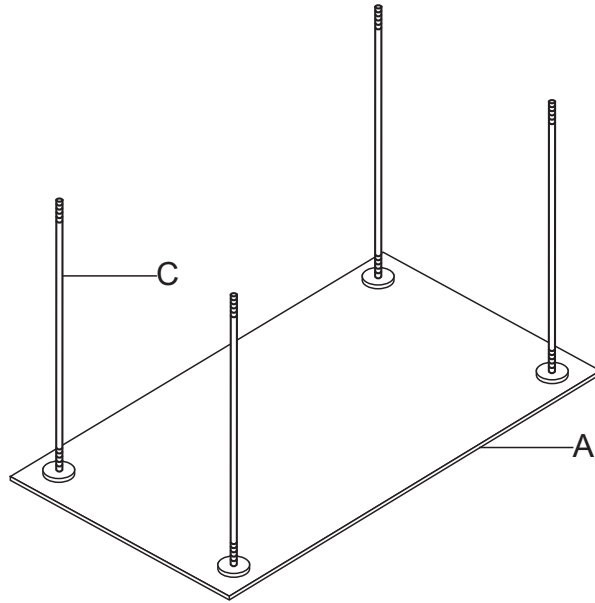


1pc

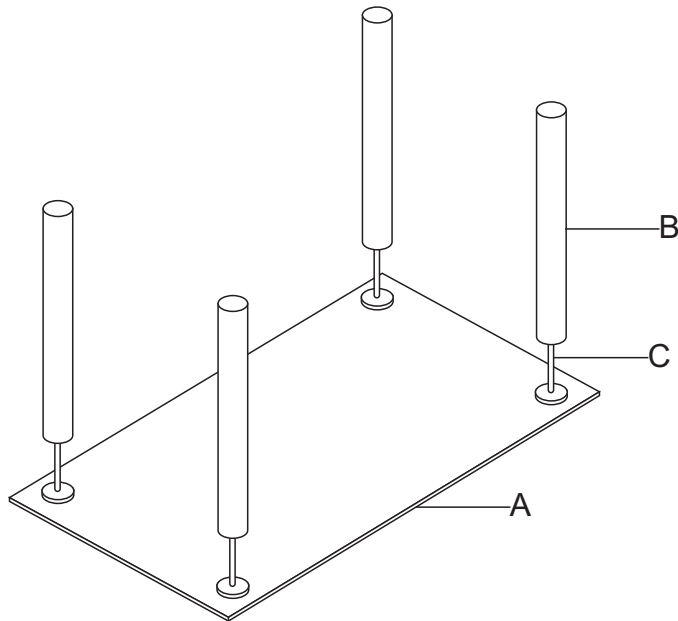


This page lists all the contents included in the box. Please take the time to identify the hardware as well as the individual components to this product. As you unpack and prepare for assembly, place the contents on a carpeted or padded area to protect them from damage.

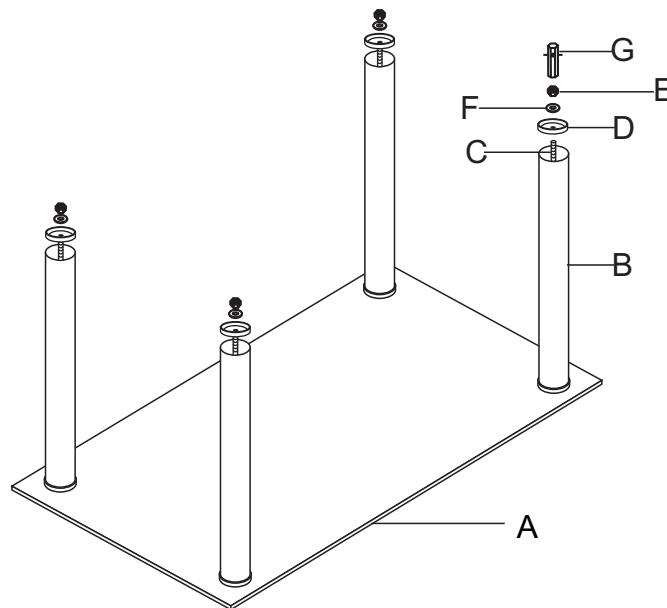
1 PUT THE THREAD ROD(C) TO THE GLASS TOP(A).



2 USE TABLE LEG(B) COVER THREAD ROD(C).



-
- 3** METAL BASE(D) ON THE BOTTOM OF THE TABLE LEG(B) USE WASHER(F) AND HEX NUT(E) THROUGH THREAD ROD(C) TURN THE HEX WRENCH(G) IN HEX NUT(E) UNTIL THE LEGS ARE SECURE.



Cleaning & Care

Treat surface with care. Surface is resistant to scratches but is not scratch resistant. Clean surfaces with a dry or damp soft cloth. Do not use abrasive cleaners. Hardware may loosen over time. Periodically check that all connections are tight.