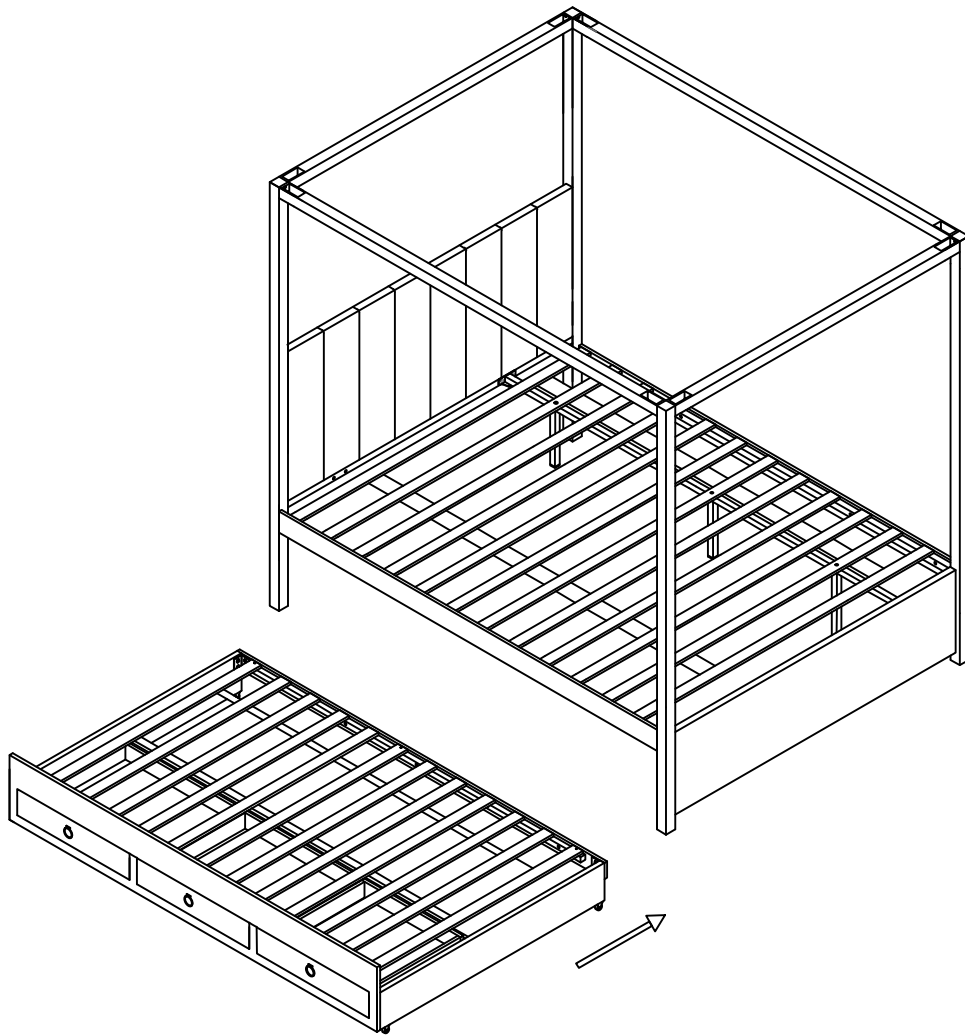
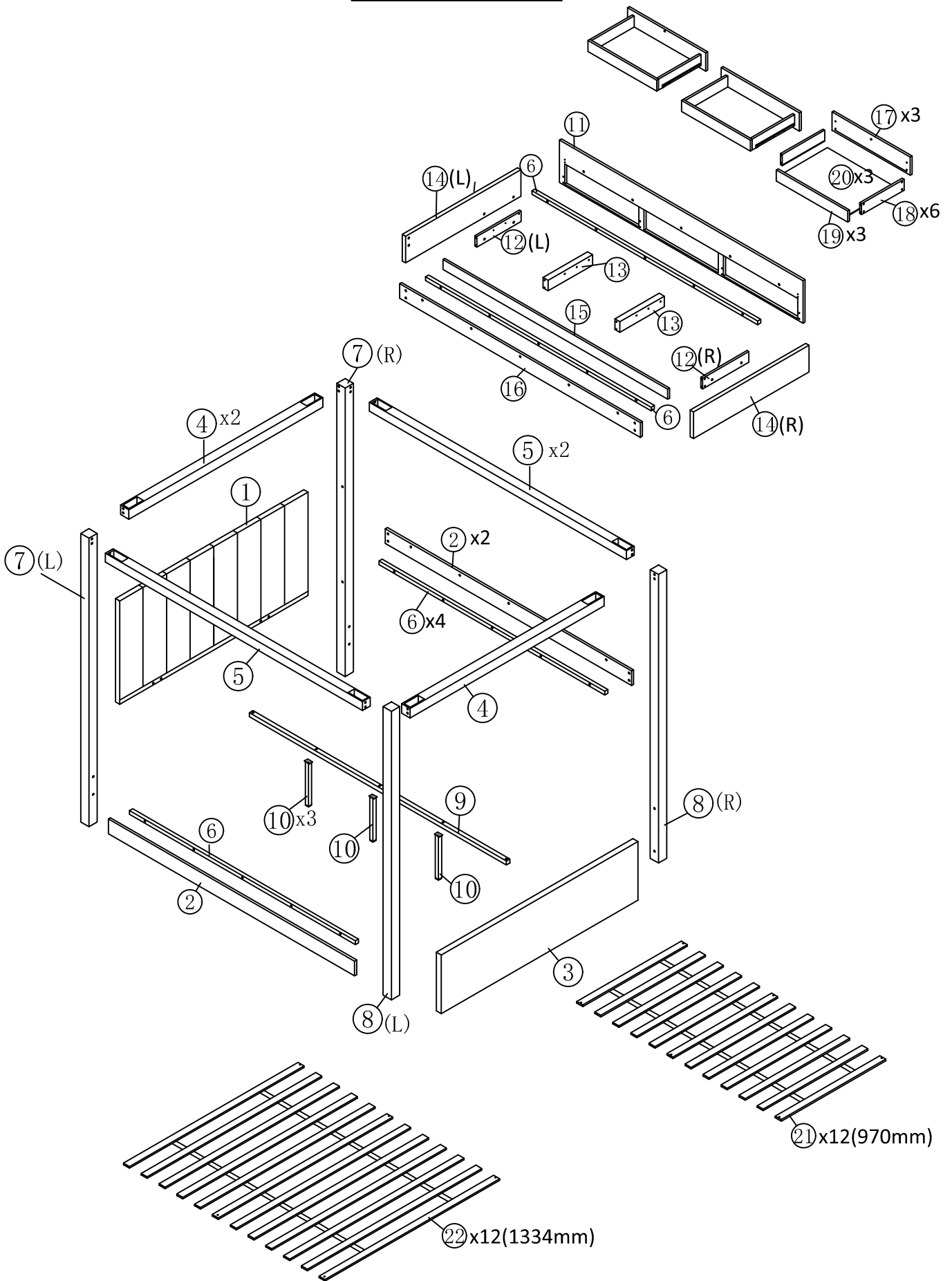


ASSEMBLY INSTRUCTION

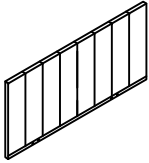
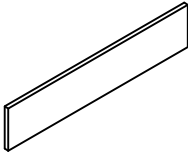
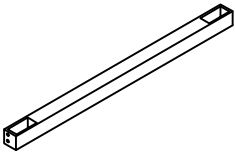

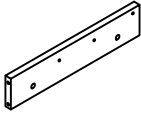
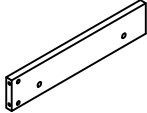
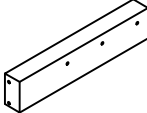
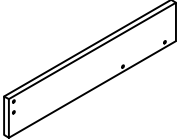
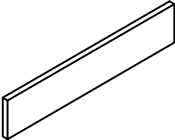
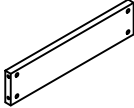

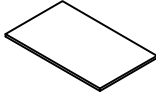
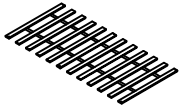
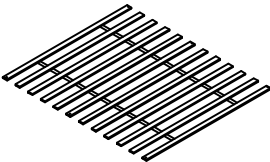


Detail View



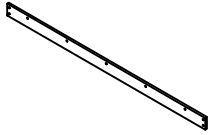
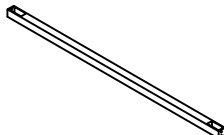
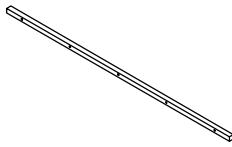




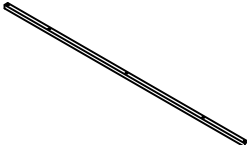
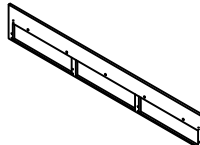
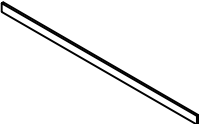
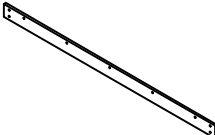
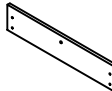
Part List

Hardware List+WF324795

<p>1</p>  <p>Head board-1pc</p>	<p>3</p>  <p>Foot board-1pc</p>	<p>4</p>  <p>Top cross bar-2pcs</p>
<p>10</p>  <p>Support leg-3pcs</p>	<p>12L</p>  <p>Bottom bed board-1pc</p>	<p>12R</p>  <p>Bottom bed board-1pc</p>
<p>13</p>  <p>Bottom bed board-2pcs</p>	<p>14L</p>  <p>Bottom bed board-1pc</p>	<p>14R</p>  <p>Bottom bed board-1pc</p>
<p>18</p>  <p>Drawer board-6pcs</p>	<p>19</p>  <p>Drawer board-3pcs</p>	<p>20</p>  <p>Drawer bottom board-3pcs</p>
<p>21</p>  <p>Slats(970mm)-12pcs</p>	<p>22</p>  <p>Slats(1334mm)-12pcs</p>	




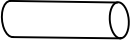


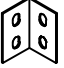




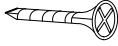
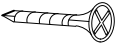
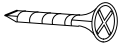


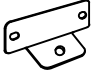




Part List

WF324796

2  Siderails-2pcs	5  Top vertical bar-2pcs	6  Side rails support bar-4pcs
7L  Headboard standing bar-1pc	7R  Headboard standing bar-1pc	8L  Footboard standing bar-1pc
8R  Footboard standing bar-1pc	9  Center support bar-1pc	11  Bottom bed board-1pc
15  Bottom bed board-1pc	16  Bottom bed board-1pc	17  Drawer outer board-3pcs

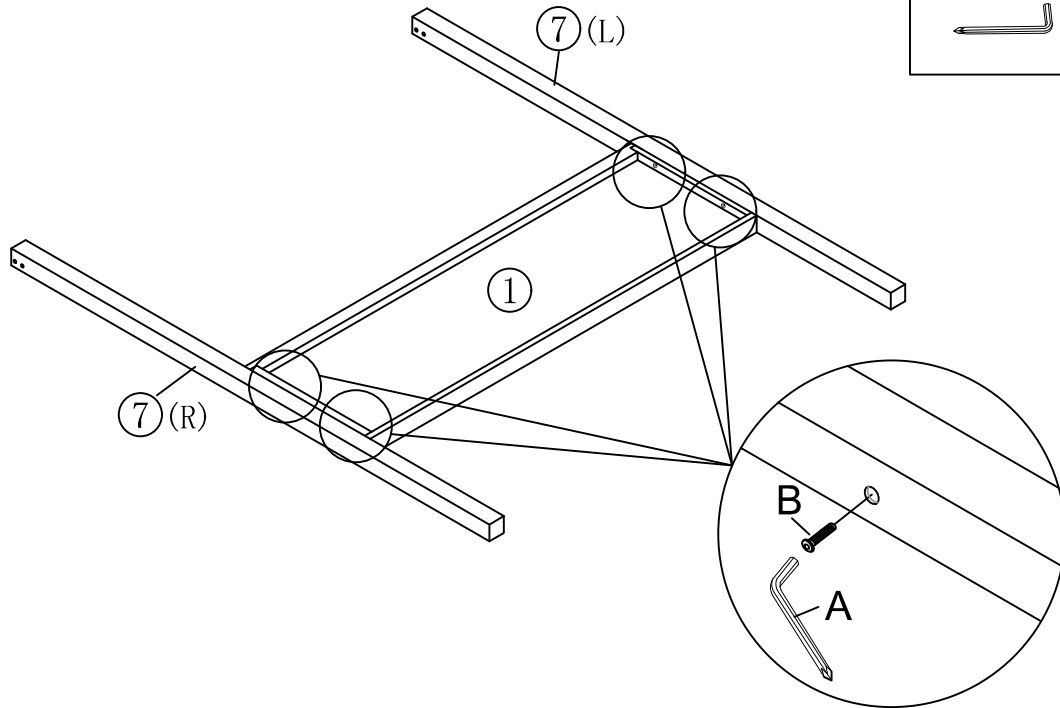
Hardware List



WF324795

A  Allen Key(1pc)	B  Ø8*40mm Bolts(37pcs)	C  Ø8*18mm Bolts(28pcs)
D  M10 Wood chip(8pcs)	E  M8x60 Bolts(8pcs)	F  M8 Nuts(8pcs)
G  "7" Connector(6pcs)	H  Spanner(1pc)	I  Drawer fittings(40pcs)
J  Drawer fittings(40pcs)	K  Wheel(4pcs)	L  Ø3*16mm Nails(44pcs)
M  Ø3*25mm Nails(8pcs)	N  Ø4*30mm Nails(12pcs)	O  Little "7" Connector(2pcs)
P  Ø5*20mm Bolts(3pcs)	Q  86*32*28*2mm Center support bar fittings(2pcs)	R  3pcsR/3pcsL Drawer track(6pcs)
S  3pcsR/3pcsL Drawer track(6pcs)	T  Drawer handle(3pcs)	U  M8 Washer(8pcs)

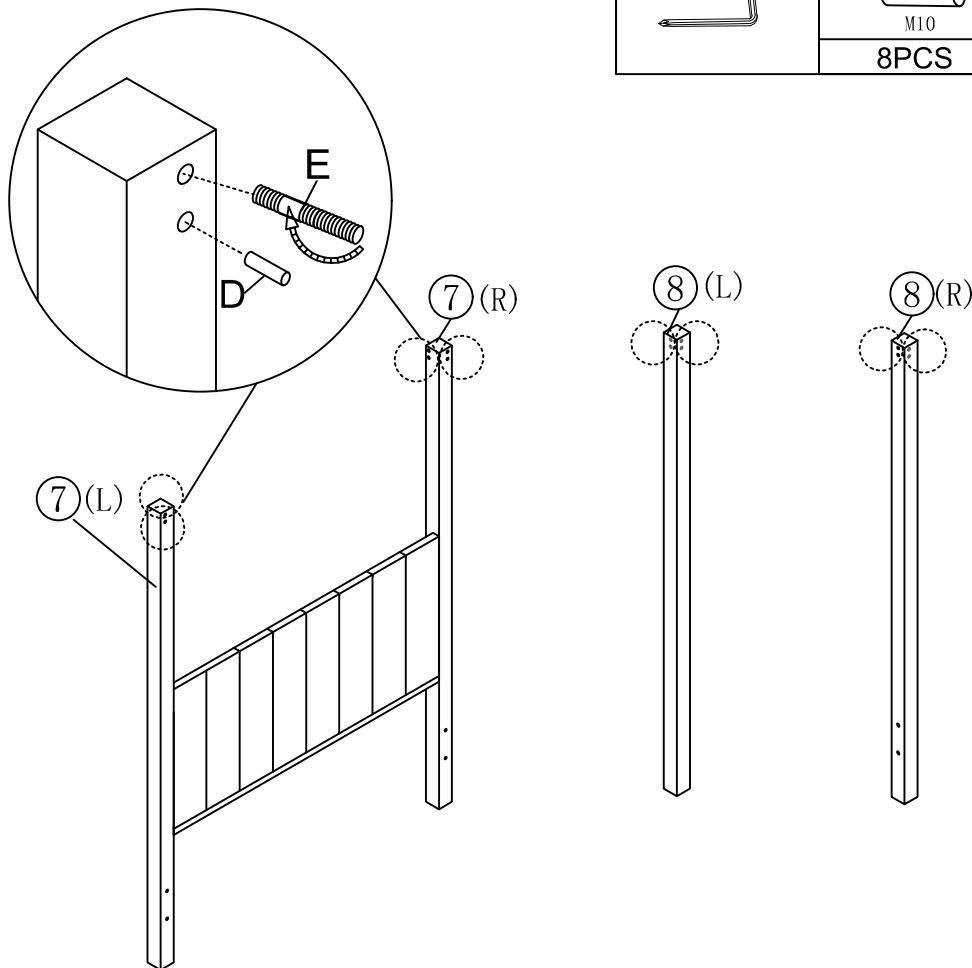
Remark: We recommend you assemble your bed in the flat ground.


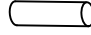

Step 1



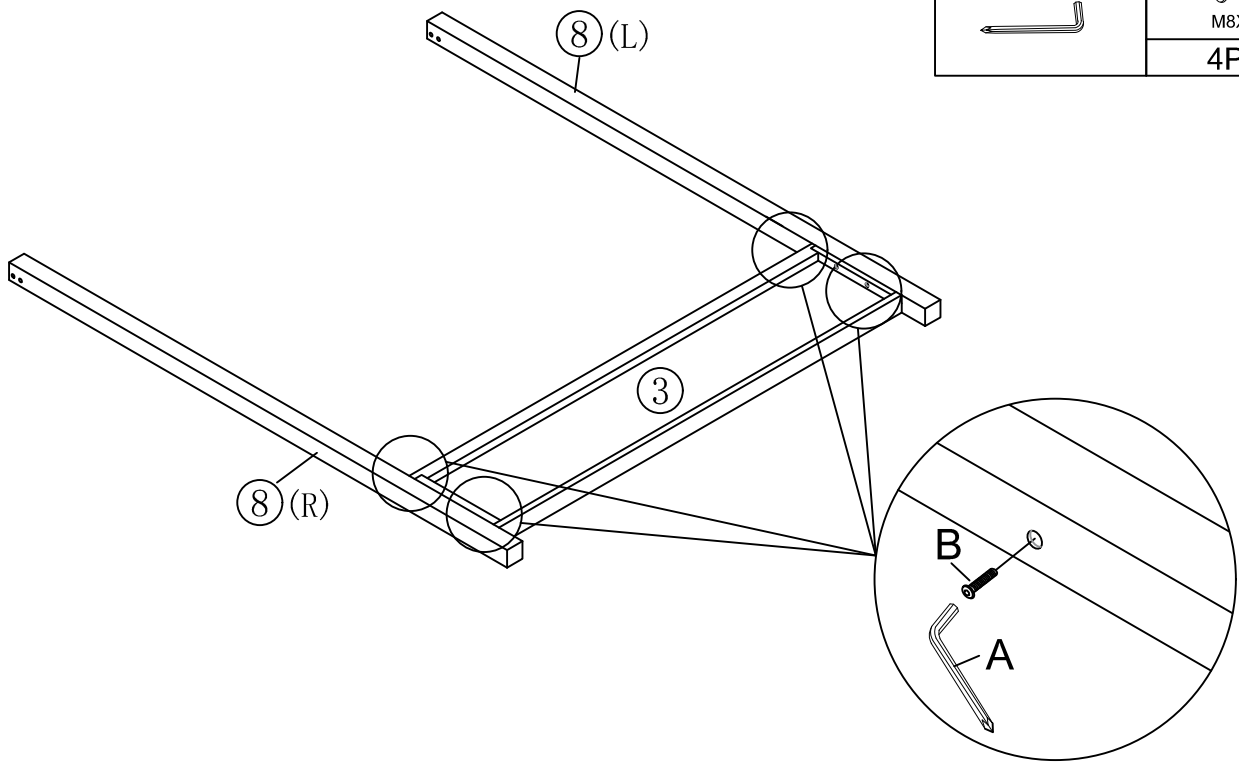
A	B
	 M8X40mm
	4PCS



Step 2



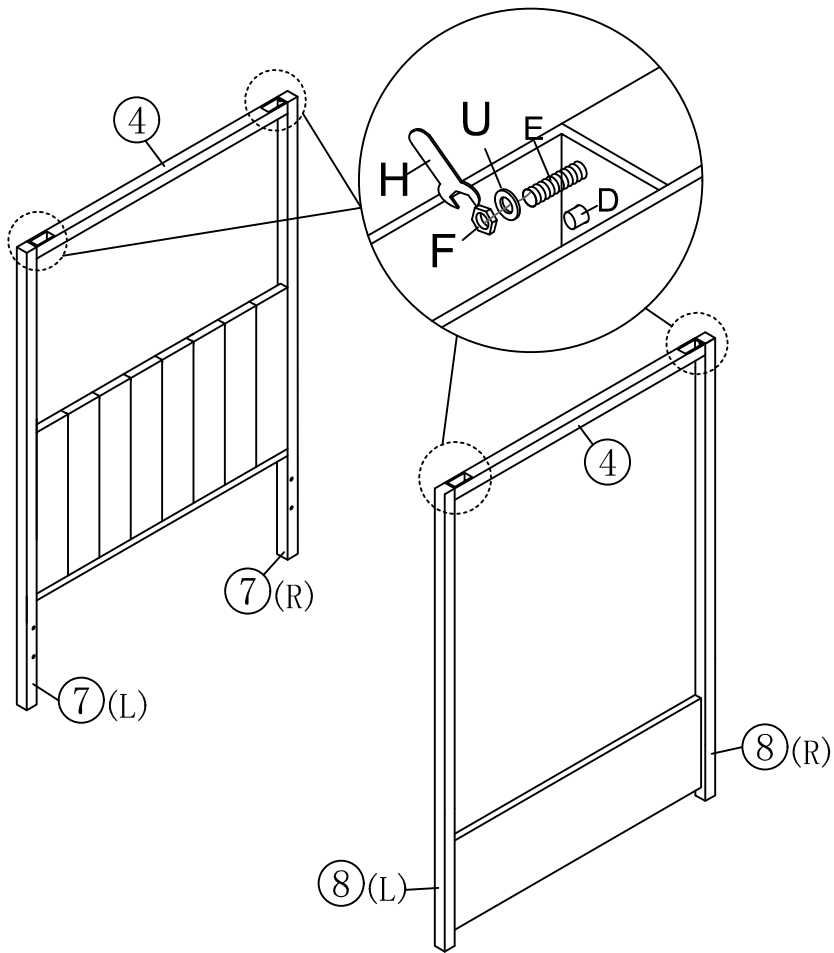
A	D	E
	 M10	 M8x60
	8PCS	8PCS




Step 3





<p>A</p> 	<p>B</p>  M8X40mm <hr/> 4PCS
----------------------------------------------------------------------------------------------	-----------------------------------------------------------------------------------------------------------------------

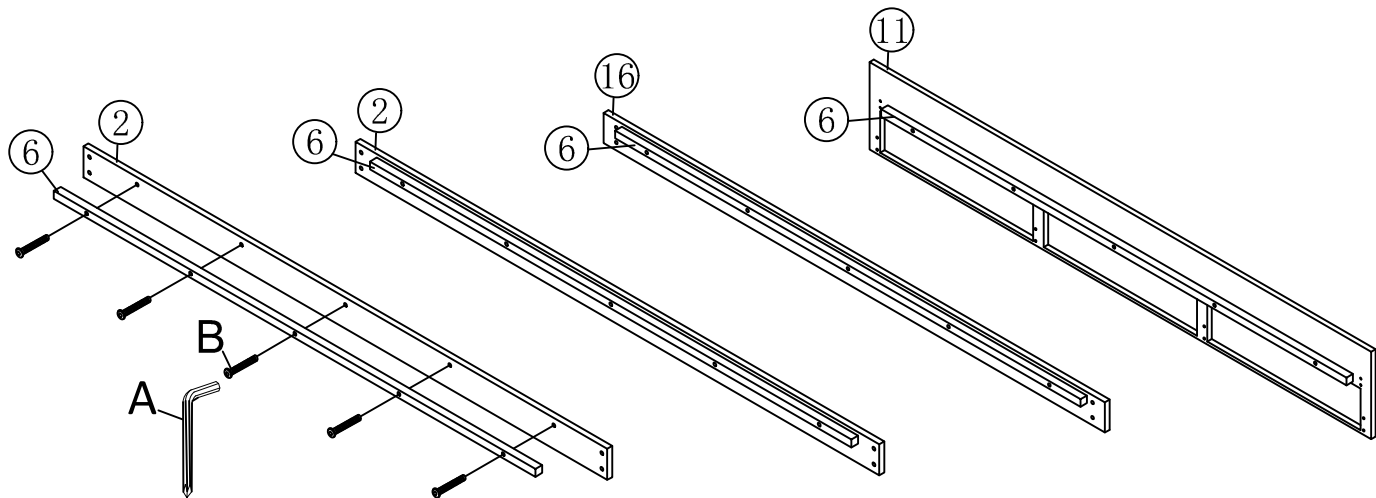
Step 4






<p>H</p> 	<p>F</p>  M8 <hr/> 4PCS	<p>U</p>  M8 <hr/> 4PCS
-----------------------------------------------------------------------------------------------	--------------------------------------------------------------------------------------------------------------------	--------------------------------------------------------------------------------------------------------------------

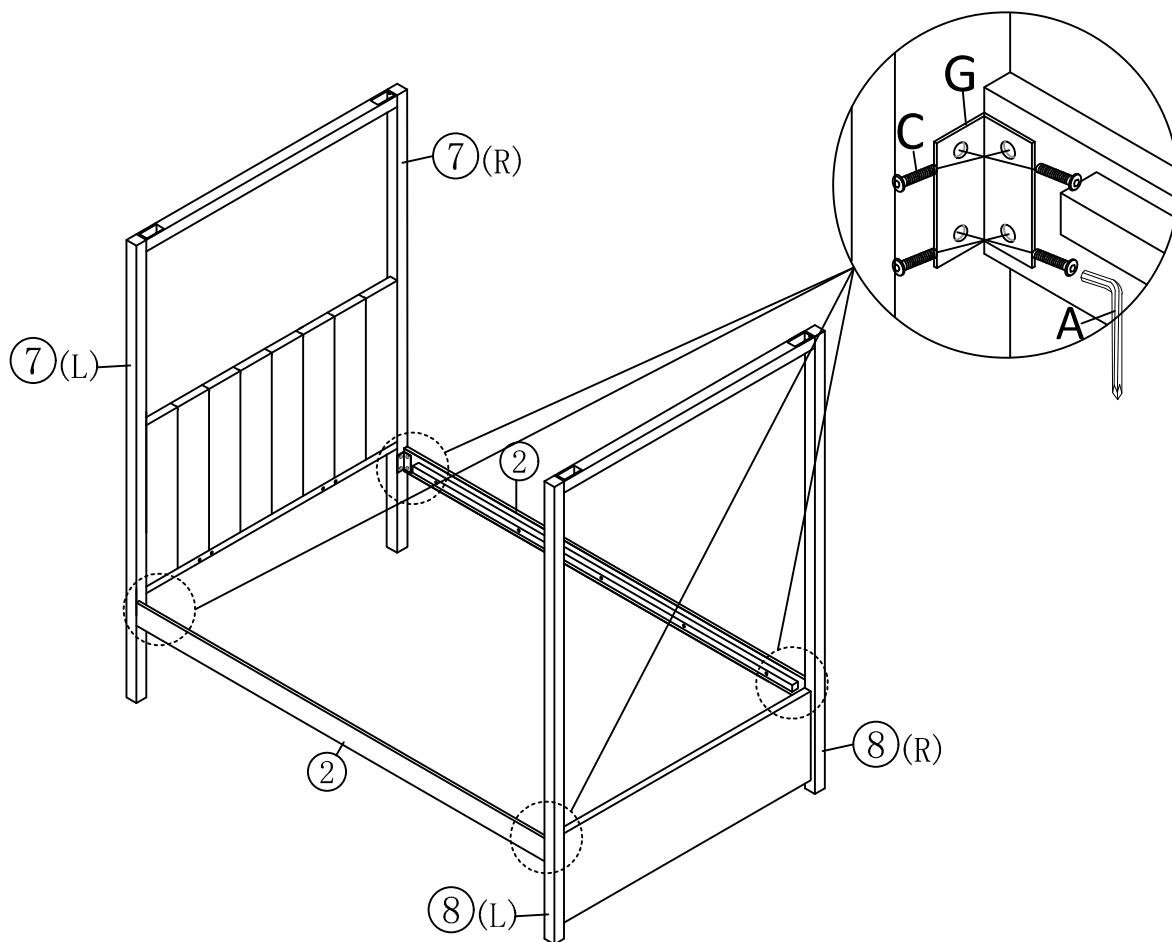
Step 5

<p>A</p> 	<p>B</p>  <p>M8X40mm</p> <p>20PCS</p>
----------------------------------------------------------------------------------------------	--------------------------------------------------------------------------------------------------------------------------

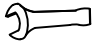




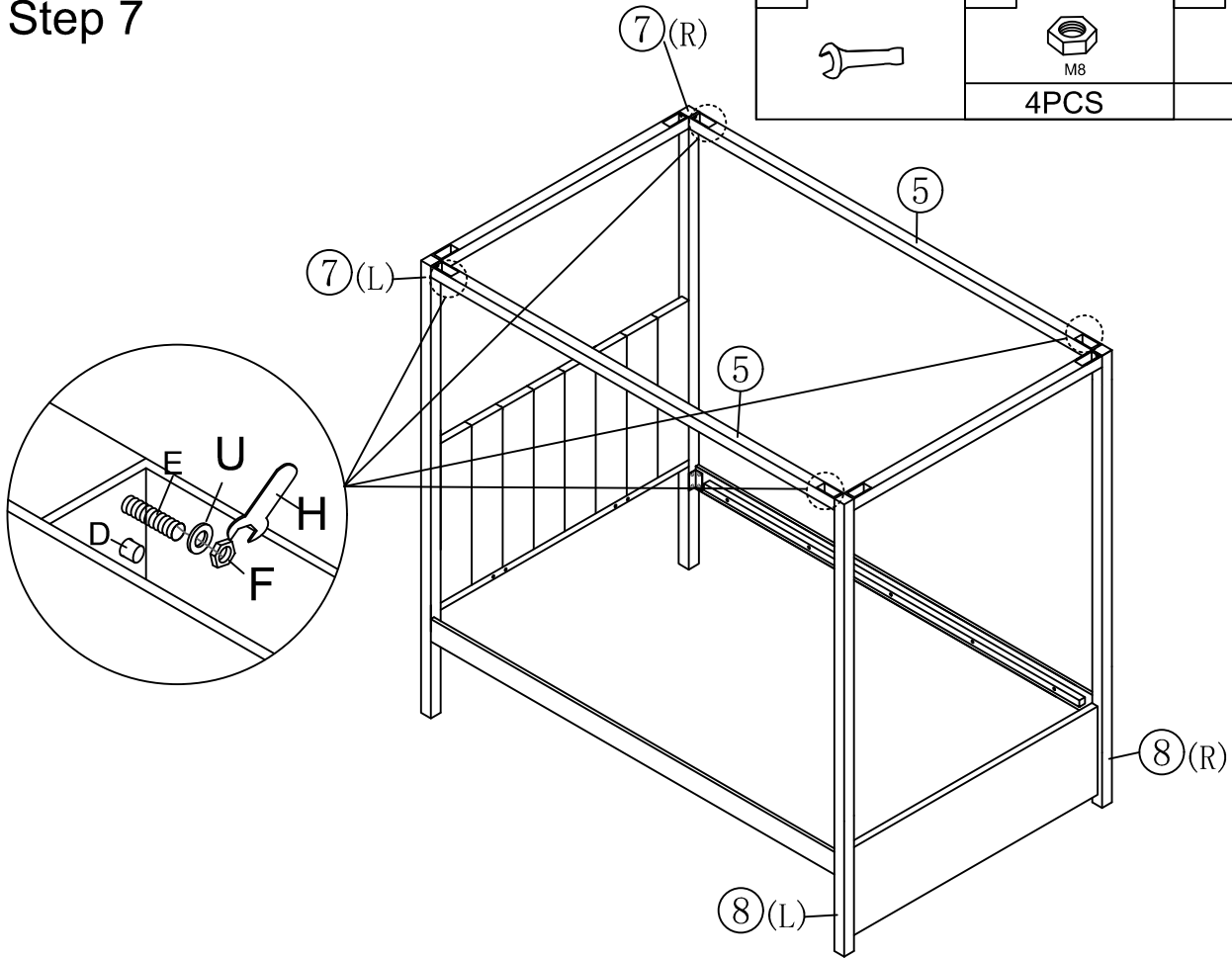
Step 6

<p>A</p> 	<p>C</p>  <p>M8X18mm</p> <p>16PCS</p>	<p>G</p>  <p>4PCS</p>
-----------------------------------------------------------------------------------------------	----------------------------------------------------------------------------------------------------------------------------	------------------------------------------------------------------------------------------------------------






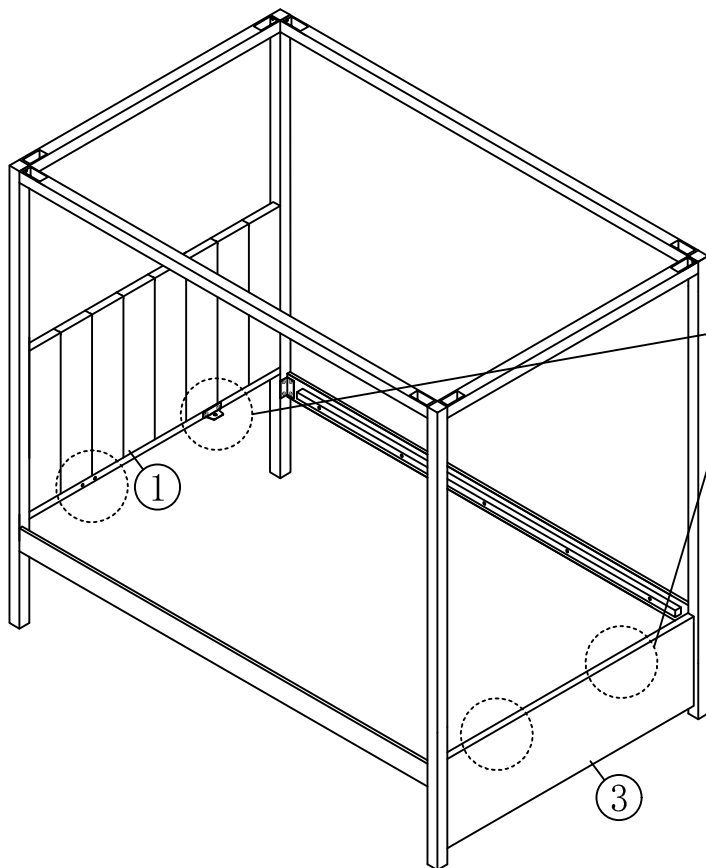
Step 7

H	F	U
	 M8	 M8
	4PCS	4PCS



Step 8

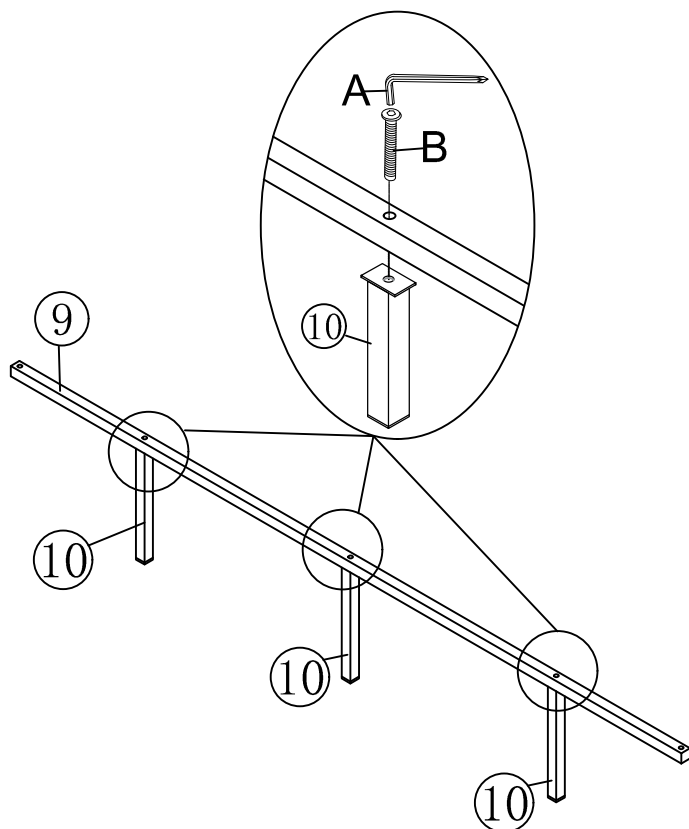
A	C	Q
	 M8X18mm	
	4PCS	2PCS


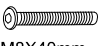


If you want to put the bottom bed on the right, you can choose the two pair holes on the left.

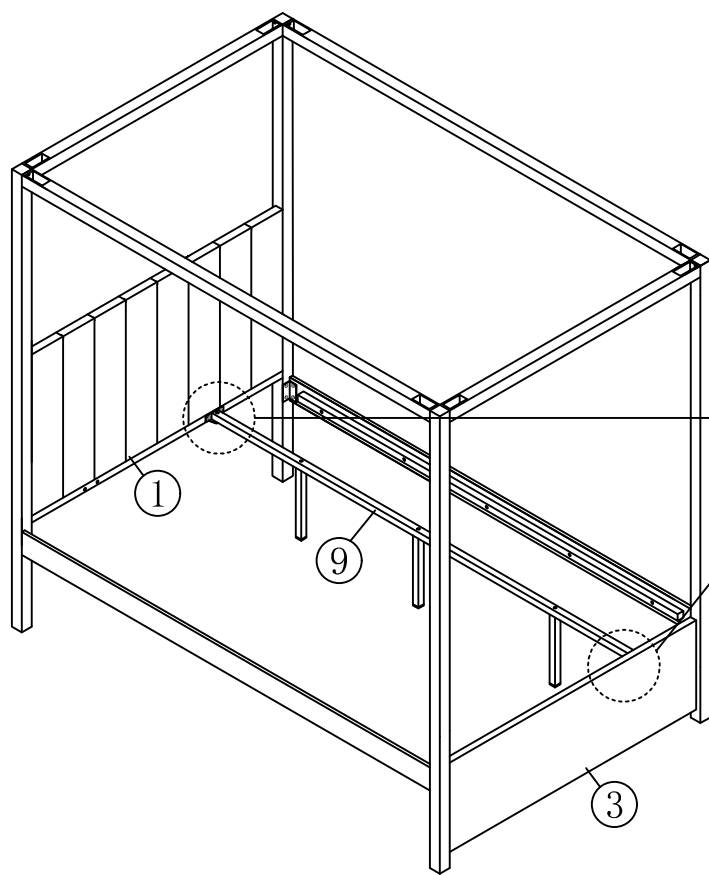
If you want to put the bottom bed on the left, you can choose the two pair holes on the right.


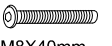
Step 9






A	B
	 M8X40mm
3PCS	

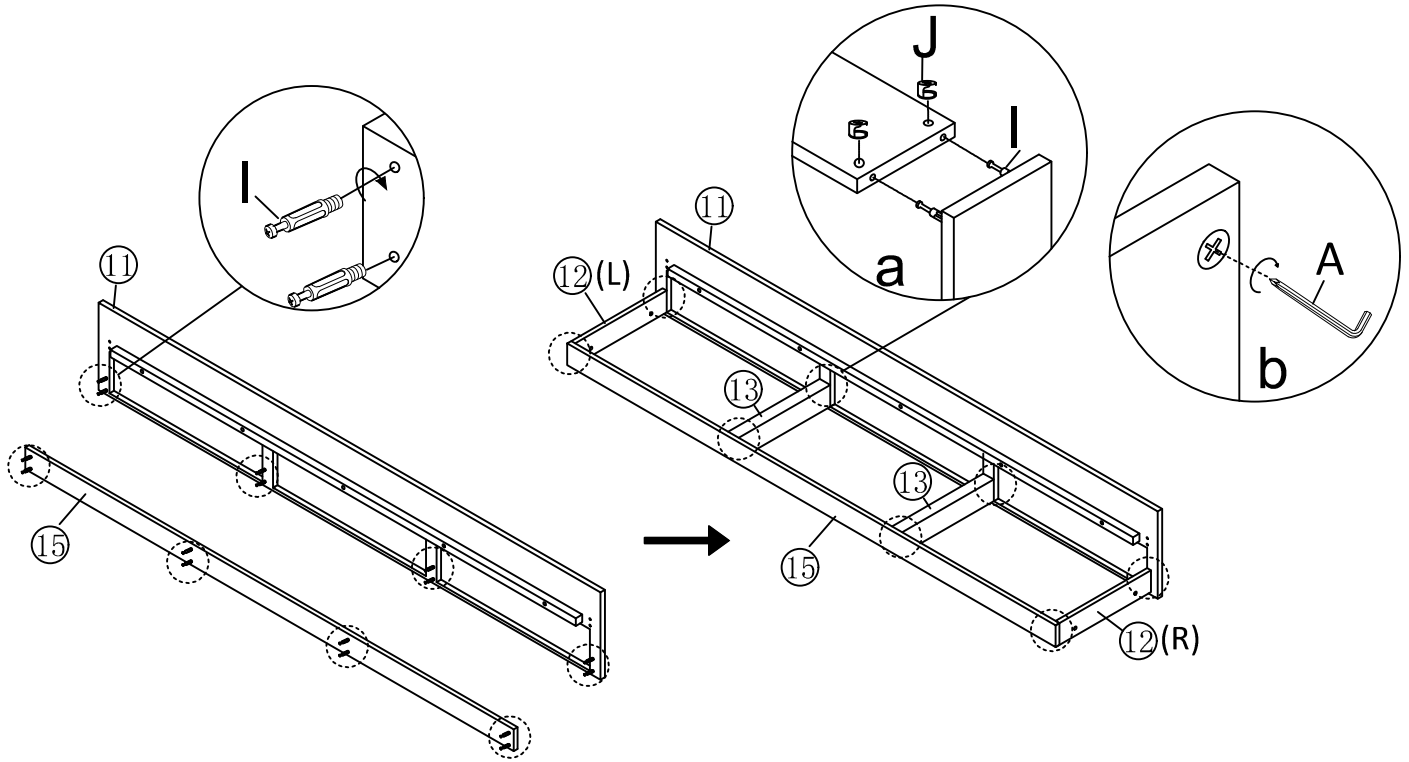
Step 10






A	B
	 M8X40mm
2PCS	

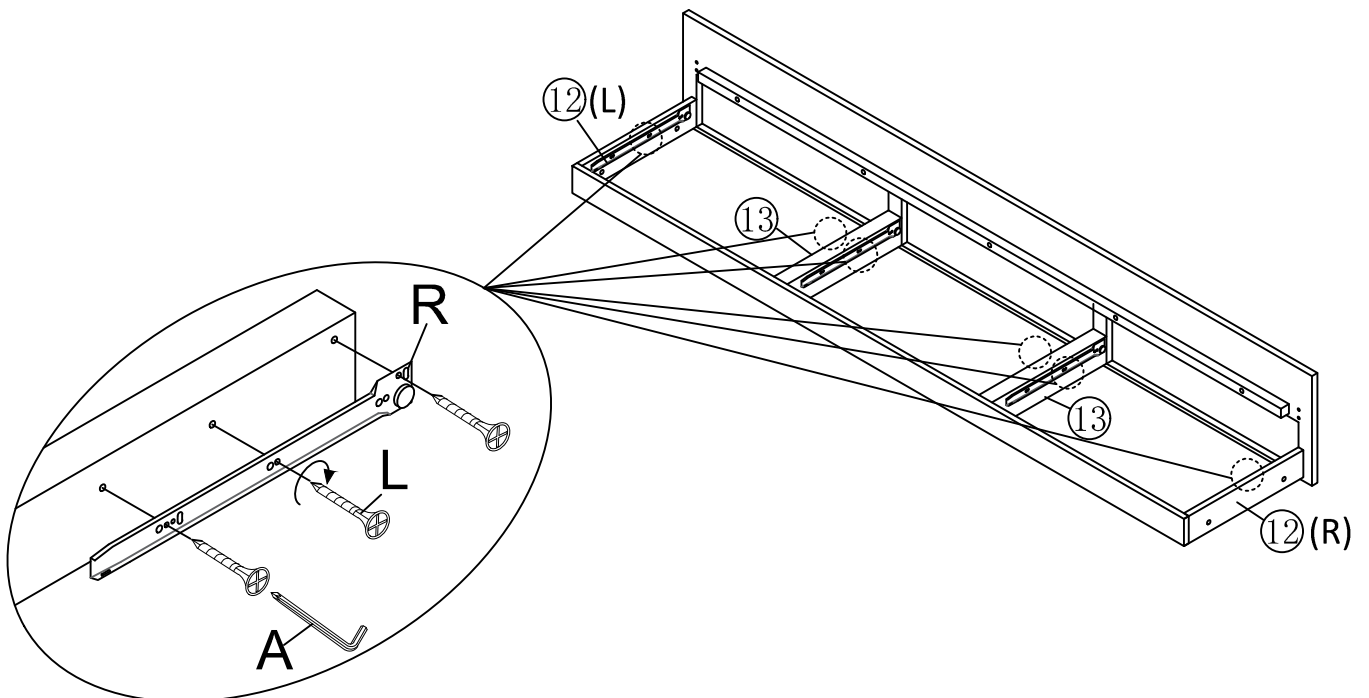
Step 11

<p>A</p> 	<p>I</p>  <p>16PCS</p>	<p>J</p>  <p>16PCS</p>
---------------------------------------------------------------------------------------------	-----------------------------------------------------------------------------------------------------------	-----------------------------------------------------------------------------------------------------------



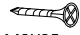



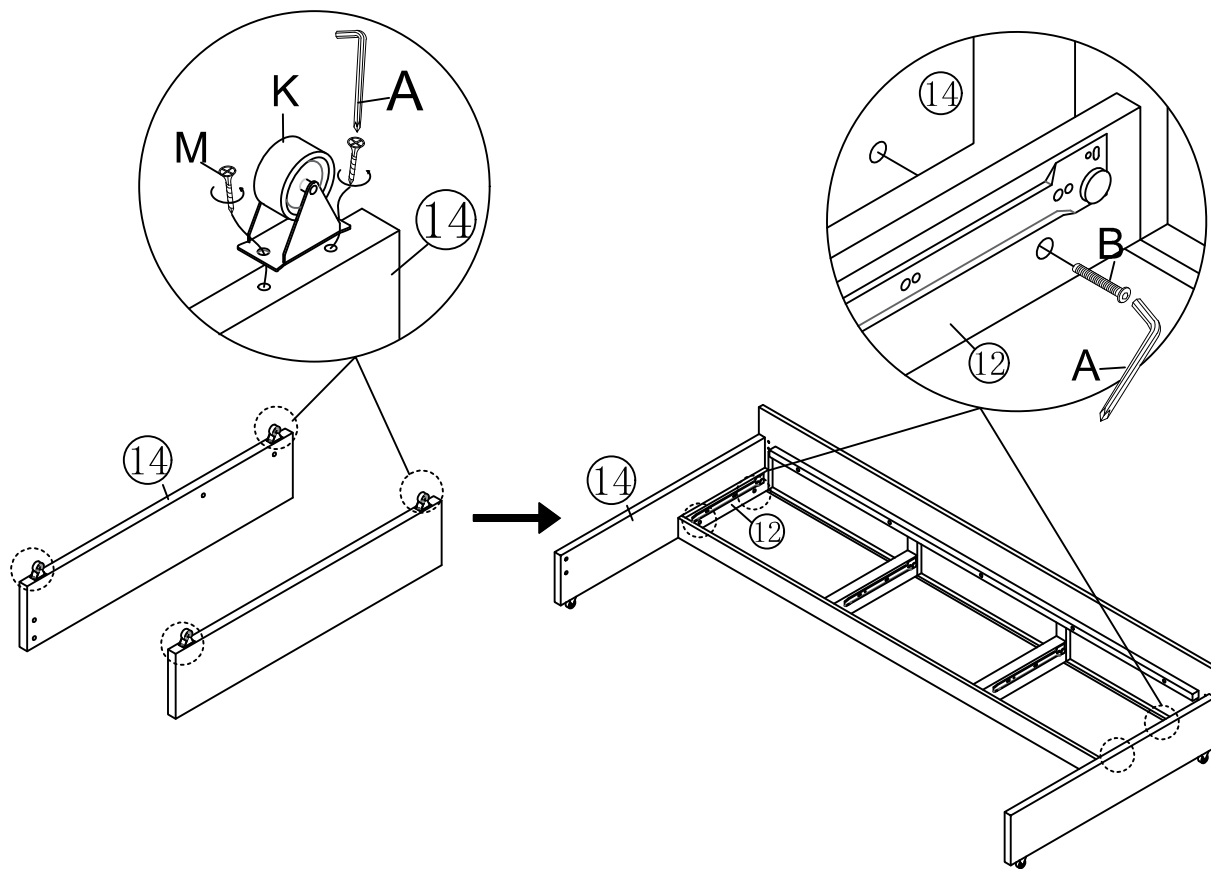
Step 12

<p>A</p> 	<p>R</p>  <p>3R/3LPCS</p>	<p>L</p>  <p>M3X16mm</p> <p>18PCS</p>
-----------------------------------------------------------------------------------------------	----------------------------------------------------------------------------------------------------------------	----------------------------------------------------------------------------------------------------------------------------








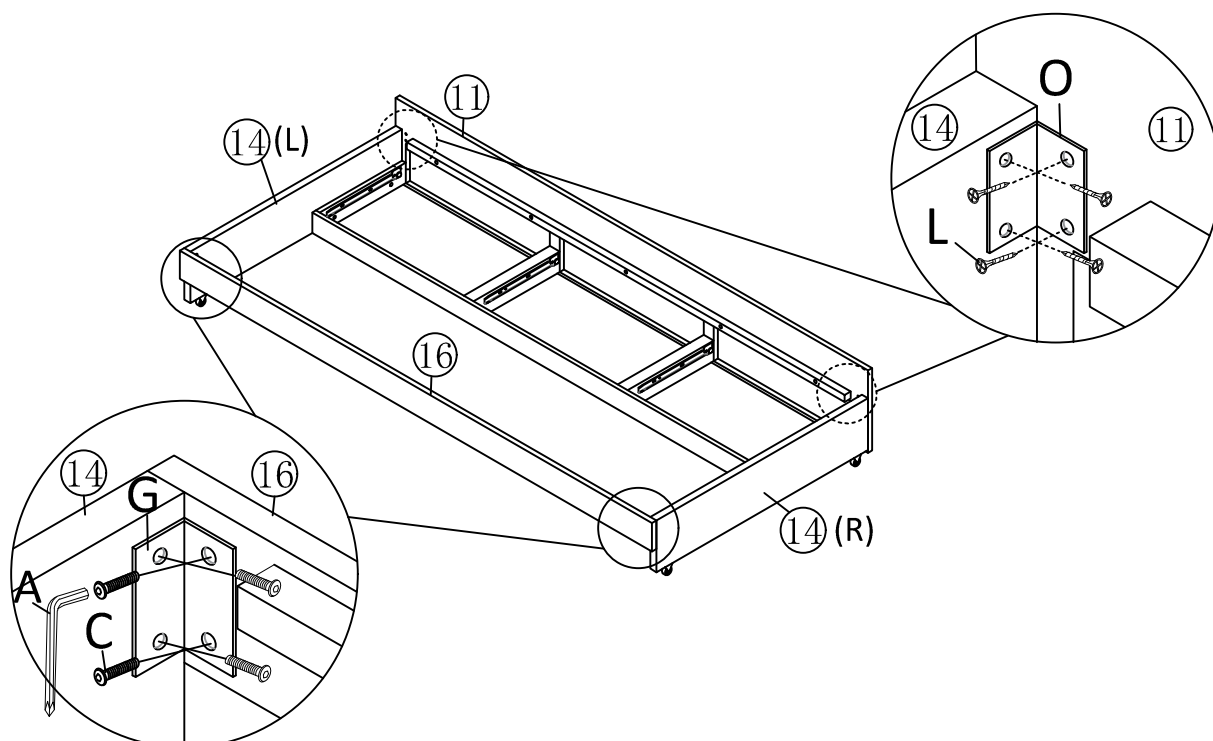
Step 13

<p>A</p> 	<p>B</p>  <p>M8X40mm</p> <p>4PCS</p>	<p>M</p>  <p>M3X25mm</p> <p>8PCS</p>	<p>K</p>  <p>4PCS</p>
--------------------------------------------------------------------------------------------	------------------------------------------------------------------------------------------------------------------------	-------------------------------------------------------------------------------------------------------------------------	----------------------------------------------------------------------------------------------------------



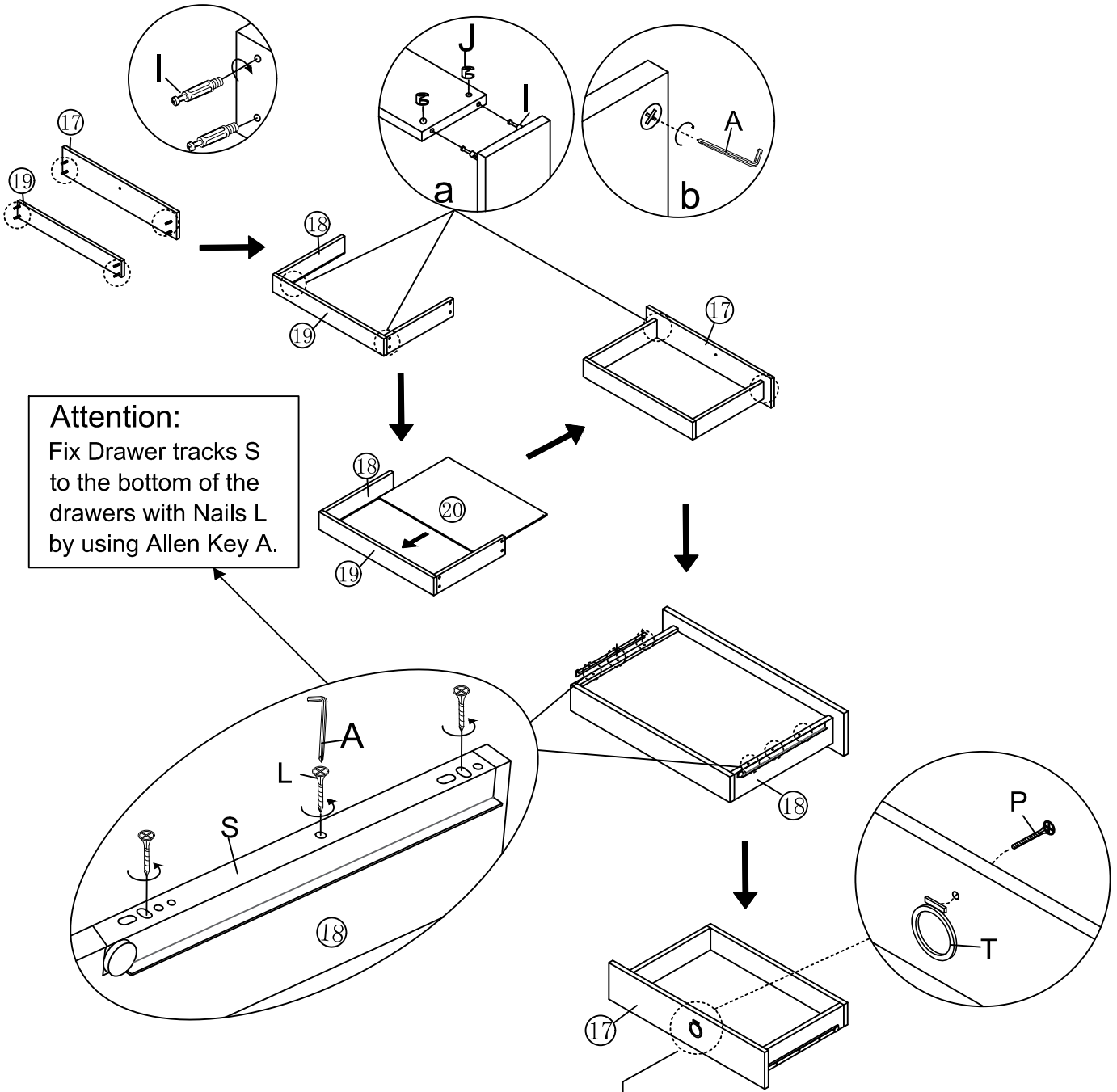
Step 14

<p>A</p> 	<p>C</p>  <p>M8X18mm</p> <p>8PCS</p>	<p>G</p>  <p>2PCS</p>	<p>L</p>  <p>M3X16mm</p> <p>8PCS</p>	<p>O</p>  <p>2PCS</p>
----------------------------------------------------------------------------------------------	-------------------------------------------------------------------------------------------------------------------------	-----------------------------------------------------------------------------------------------------------	---------------------------------------------------------------------------------------------------------------------------	------------------------------------------------------------------------------------------------------------



Step 15x3

A	I	J	L	S
			 M3X16mm	
	24PCS	24PCS	18PCS	3R/3LPCS
			T	P
				 M5X20mm
			3PCS	3PCS



Attention:
 Fix Drawer tracks S to the bottom of the drawers with Nails L by using Allen Key A.

Fix Drawer handle T to the Drawer outer board 17 with Bolts P by using Allen Key A.

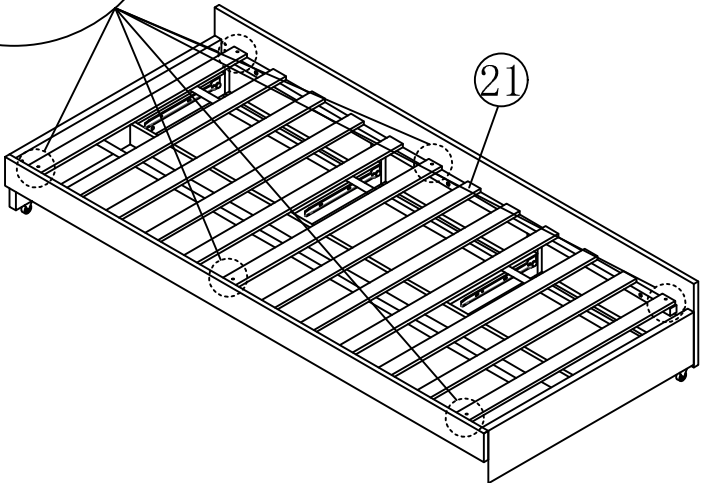
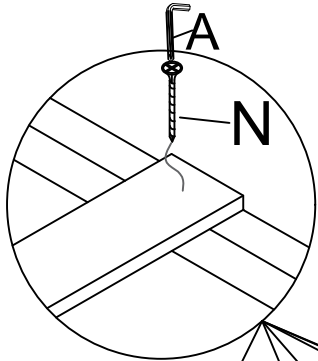
Step 16

A

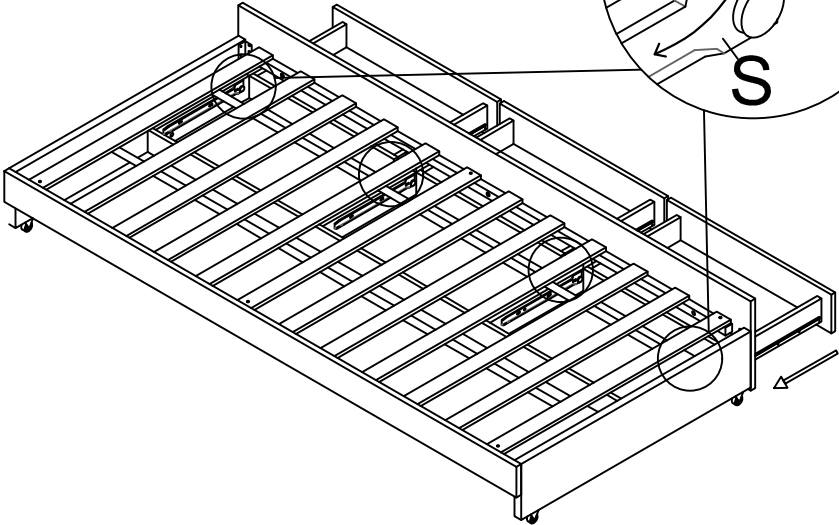
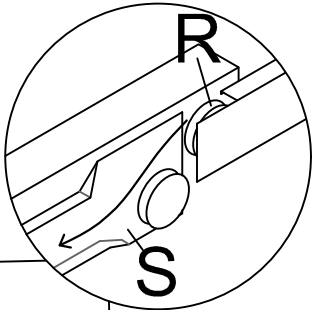
N





M4X30mm
6PCS



Step 17



Step 18

A	N
	 M4X30mm 6PCS

