

## TOOLS REQUIRED



Allen Wrench

(Included)



Phillips  
Screwdriver

(Not Included)



2 - People  
Recommended

## ASSEMBLY RATING



EASY ————— DIFFICULT

The Assembly Rating is a 5-point system showing the level of effort needed to assemble a specific product.

**Thank you for your purchase!**

We hope you enjoy this new addition to your home for many years to come.

Our commitment to providing quality products does not simply end when you purchase our product. We fully stand behind our products from start to finish. Our customer service department is available Monday – Friday 8:30 AM – 5:30 PM Pacific and can help with assembly questions as well as, if necessary, replacing damaged or missing parts. To help expedite our service, please have these assembly instructions readily available, along with your order receipt.



## **CHECK BEFORE STARTING**

### **Are you missing anything?**

Double-check all parts, hardware and accessories listed on Page 6 are accounted for.

### **Check out our Quick Tips!**

We recommend reviewing the pre-assembly handouts. Even experts need a refresher now and then!

### **Should we send any replacements?**

Are there any irregularities or flaws in the parts? We can send replacements!

### **Prep Time!**

Please review the assembly instructions and all diagrams prior to assembling. Arrange parts as recommended on Page 7 and group identical hardware together to make assembling easier.

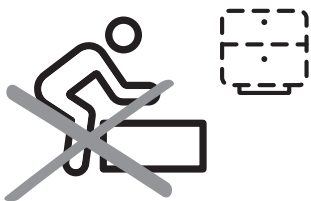
# PRE ASSEMBLY INTRODUCTION

We understand building ready-to-assemble furniture can be a challenging experience for some. To help avoid confusion, we have provided some helpful tips that may speed up the process.



## Teamwork

ALWAYS have at least two people to help with transporting and assembling the product to avoid potential injury and/or damage.



## Suitable Location

Assembling near the area of the intended location is highly recommended.



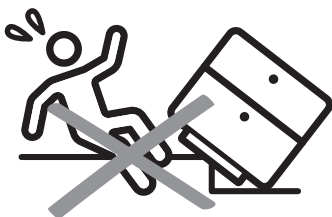
## Sufficient Space

Make sure you have enough space to move around during the assembly.



## Avoid Scratches

Use cardboard, blankets or a carpeted area while assembling furniture to prevent scratches.



## Flat Surface

Make sure the furniture rests on a flat and level surface with each leg evenly touching the floor.

# ASSEMBLY AND CARE ADVICE



**FAILURE TO FOLLOW THE GUIDELINES BELOW MAY RESULT IN INJURY AND/OR PROPERTY DAMAGE.**



Position each part correctly and insert screws or bolts into their respective holes.



Turn clockwise to tighten and only tighten when step is completed or when instructed to do so.



Use the appropriate hand tools or power tools for assembly. Select steps, such as tightening screws and/or bolts, may require hand tools to avoid causing damage during assembly.



Save the instructions and store any supplied tools for later maintenance.



After two weeks, check and tighten any loose hardware and repeat again every six months thereafter.

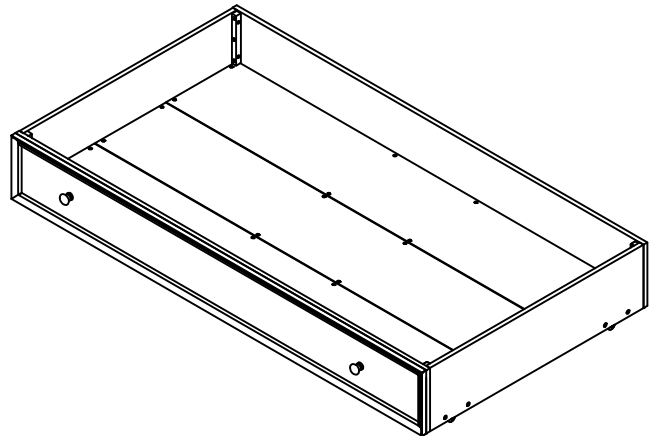
**IT IS THE USER'S RESPONSIBILITY TO MAINTAIN THE FURNITURE. THE HARDWARE MAY LOOSEN OVER TIME AND MAY CAUSE THE FURNITURE TO BE WOBBLY AND UNABLE TO SUPPORT ITS INTENDED WEIGHT CAPACITY. THIS MAY LEAD TO COLLAPSE AND MAY CAUSE SERIOUS INJURY.**

# TRUNDLE

CM7159/CM7158-TR-VN

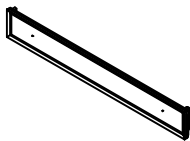


- Please keep instructions for future reference.
- Check the quantity and irregularity of parts and hardware before you start.



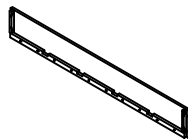
## PARTS

#1 1pc



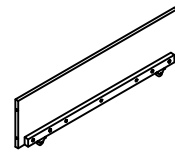
Front panel

#2 1pc



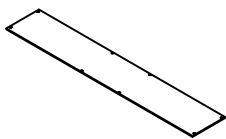
Back panel

#3 2pcs



Left & right side panel

#4 3pcs



Bottom panel

#5 4pcs



Slats

## HARDWARE

#A 8pcs



Dowel  $\text{Ø}5/16" \times 1-3/16"$

#B 8pcs



Short Bolt  $\text{Ø}1/4" \times 1-3/16"$

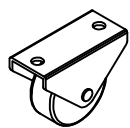
#C 8pcs



Screw  $\text{Ø}1/6" \times 18\text{mm}$

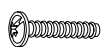
# HARDWARE

#D 4pcs



Caster

#E 2pcs



Pine Knob 3/16"x30mm

#F 2pcs



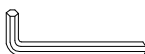
Ph Zinc (knob)

#G 32pcs

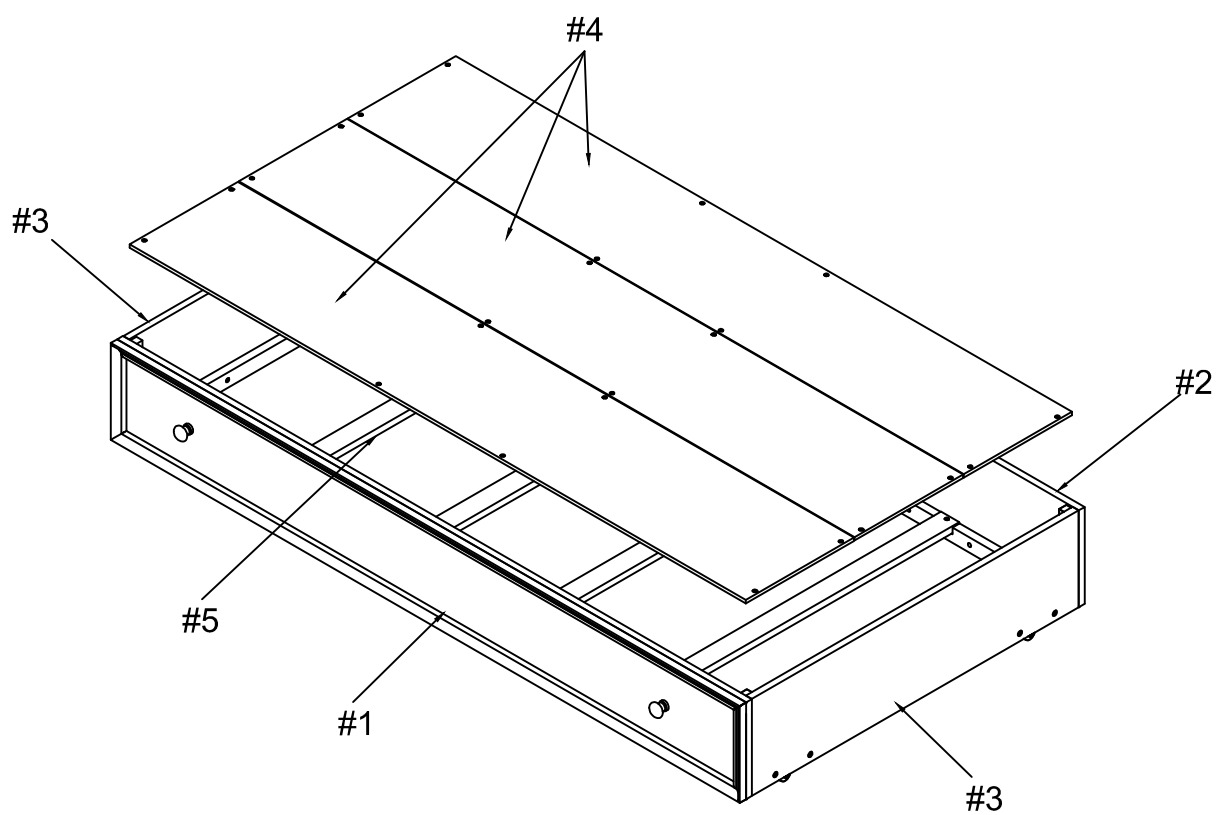


Crew  $\varnothing 1/6"$  x 25mm

#H 1pc



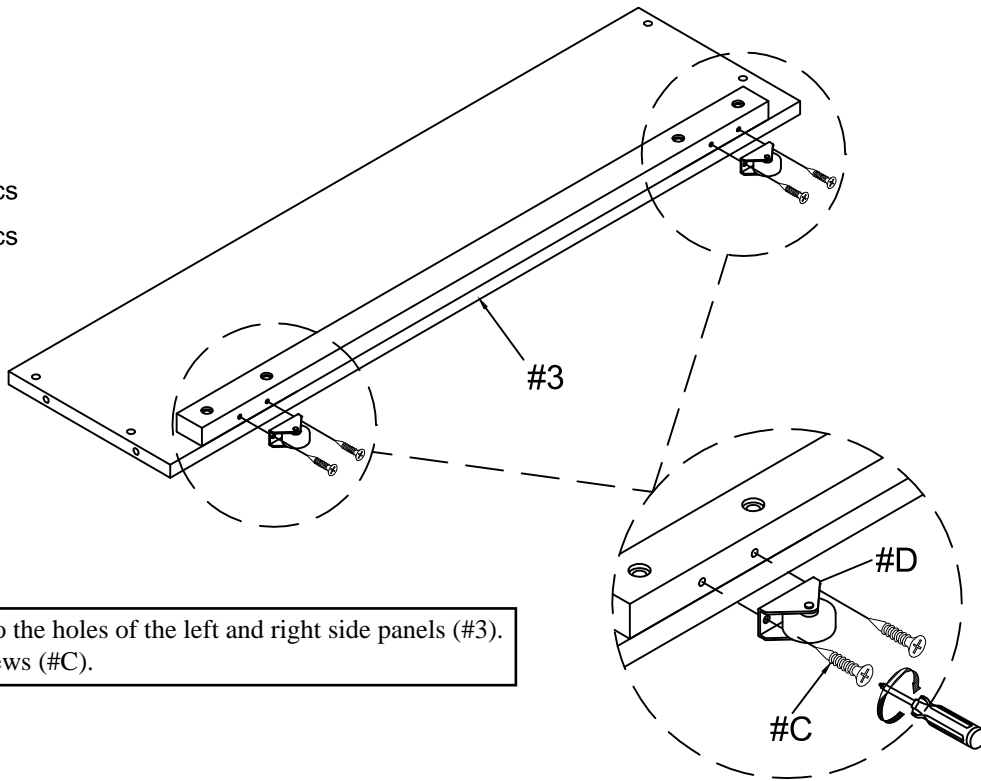
Allen Wrench 4mm



# ASSEMBLY INSTRUCTIONS

## 1

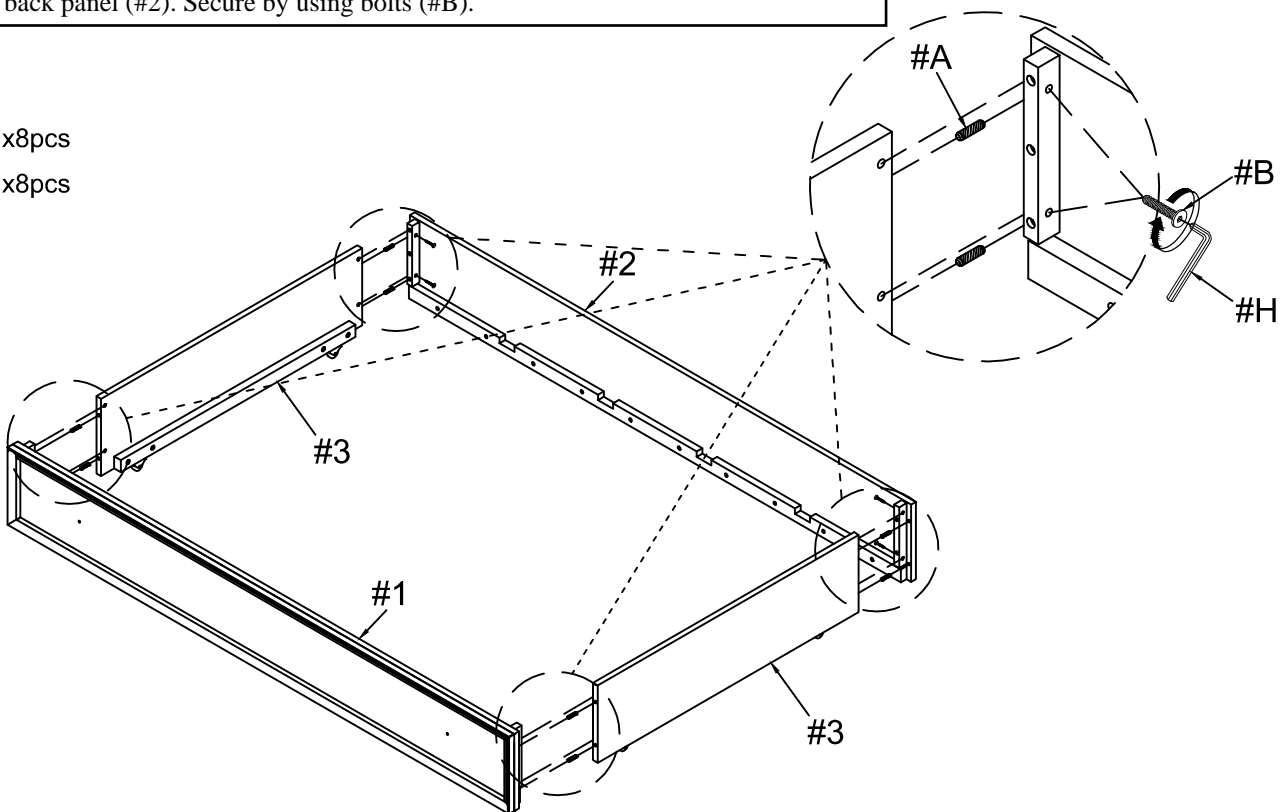
- Part #3 x1pc
- Hardware #C x4pcs
- Hardware #D x2pcs



## 2

Attach dowels (#A) to each ends of the left and right side panels (#3). Align and attach left and right side panels (#3) to the dowel holes of the front panel (#1) and back panel (#2). Secure by using bolts (#B).

- Part #1 x1pc
- Part #2 x1pc
- Hardware #A x8pcs
- Hardware #B x8pcs



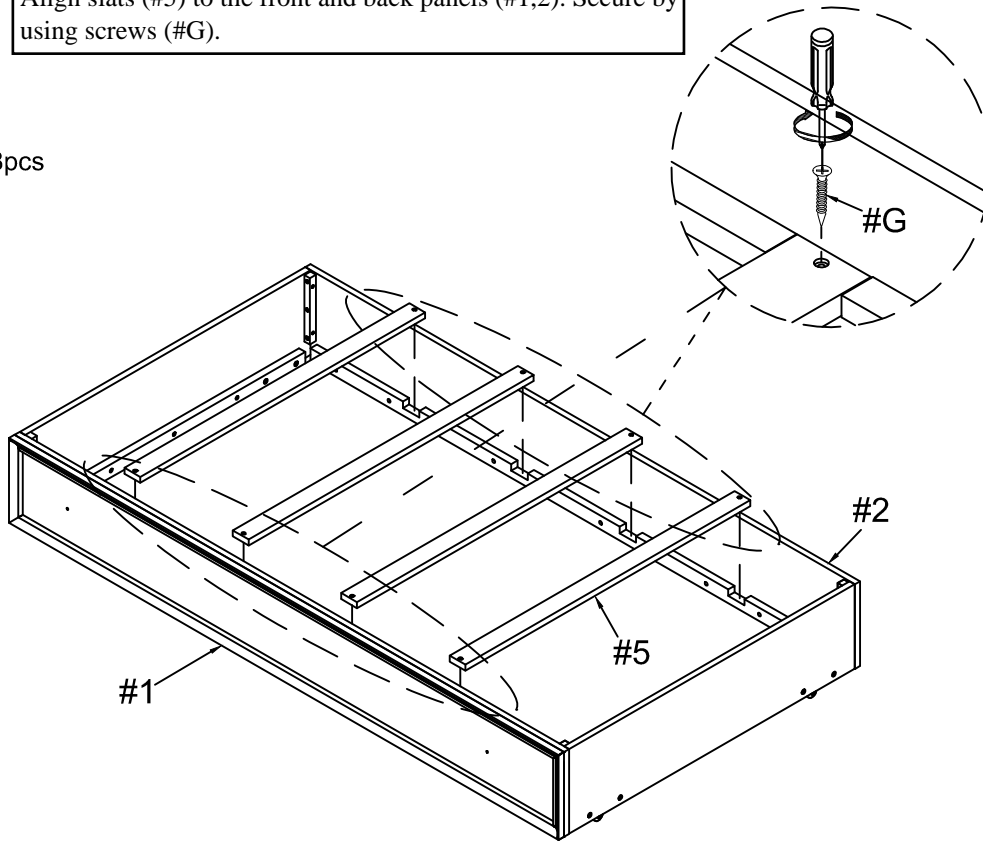
# ASSEMBLY INSTRUCTIONS

## 3

Align slats (#5) to the front and back panels (#1,2). Secure by using screws (#G).

Part (#5) x4pcs

Hardware (#G) x8pcs



## 4

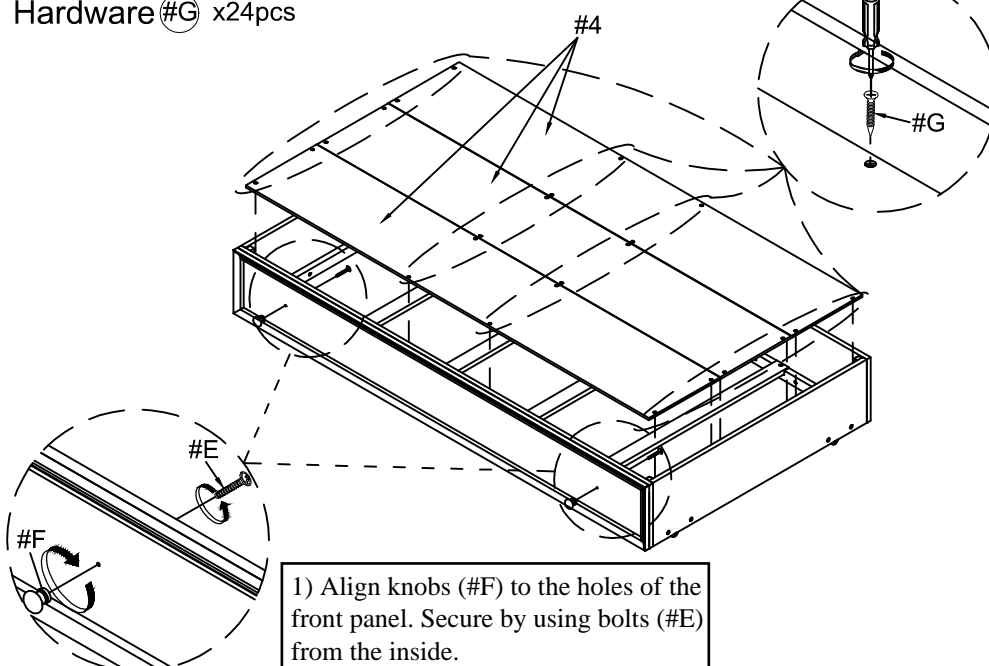
2) Align bottom panel (#4) to the rest of the trundle. Secure by using screws (#G).

Part (#4) x3pcs

Hardware (#E) x2pcs

Hardware (#F) x2pcs

Hardware (#G) x24pcs



1) Align knobs (#F) to the holes of the front panel. Secure by using bolts (#E) from the inside.

### ASSEMBLY COMPLETED



Please ensure the furniture rests on an even and flat surface. If the product wobbles or feels loose, double-check all bolts and/or screws are properly tightened and secured.



**Keep this handy!**

Please retain this instruction manual and any order-related information for future reference.



**Lift, don't drag!**

To avoid damage to product please always LIFT the product when transporting or adjusting the placement.