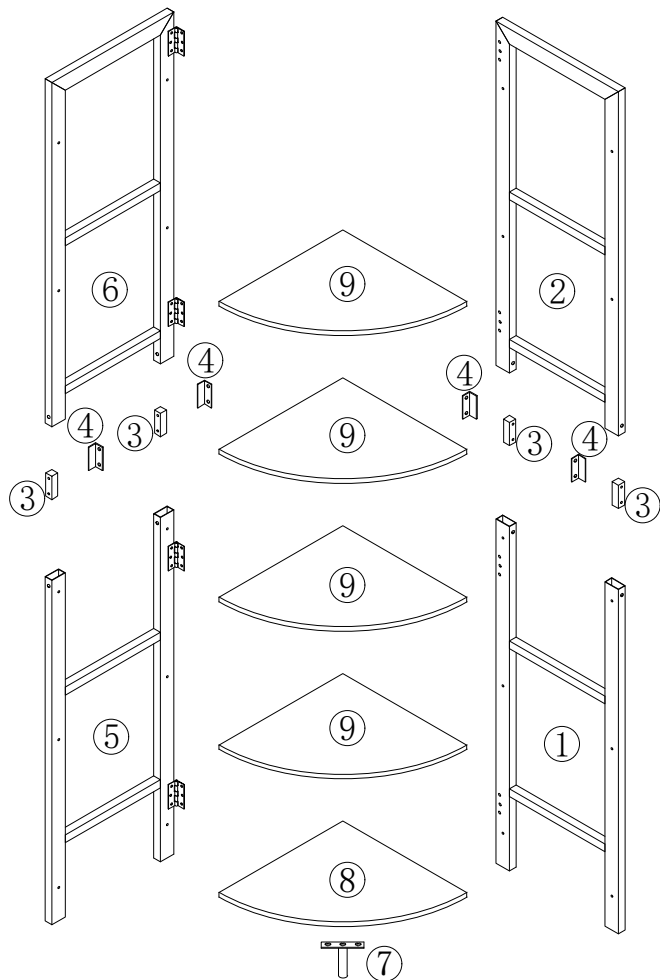
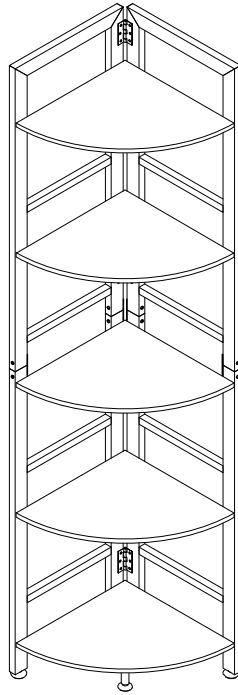
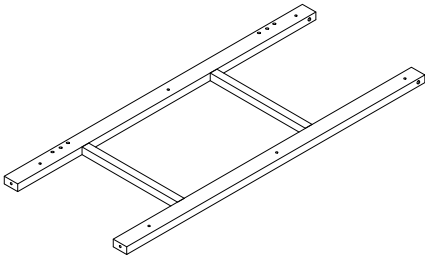
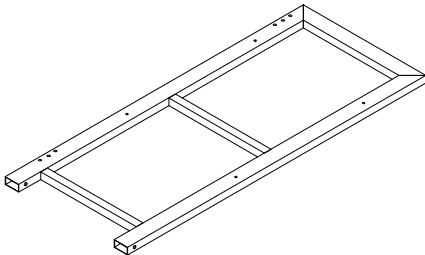
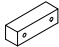

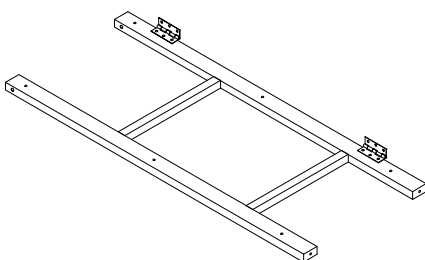
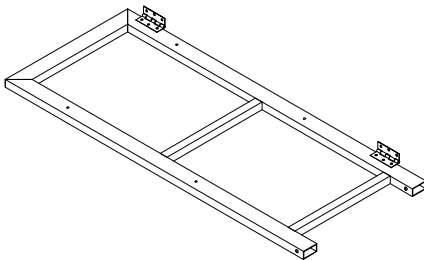
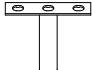
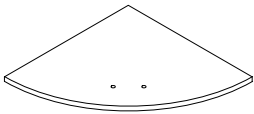
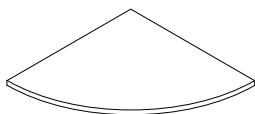
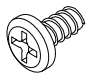


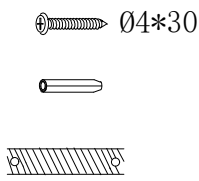
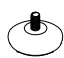
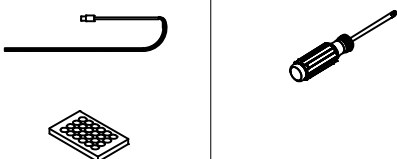


ASSEMBLY INSTRUCTION

Instruction Manual of Corner Shelf



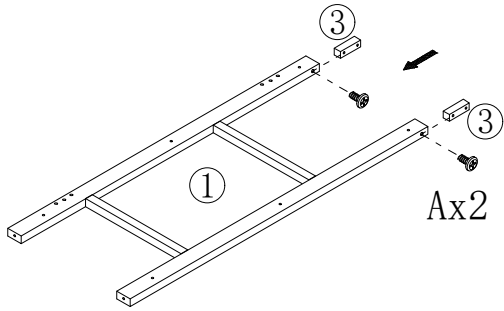
ASSEMBLY INSTRUCTION

<p>① 1PC</p> 	<p>② 1PC</p> 	<p>③ 4PCS</p> 
<p>④ 4PCS</p> 	<p>⑤ 1PC</p> 	<p>⑥ 1PC</p> 
<p>⑦ 1PC</p> 	<p>⑧ 1PC</p> 	<p>⑨ 4PCS</p> 
<p>A 18PCS</p>  <p>M6*12</p>	<p>B 12PCS</p>  <p>M4*16</p>	<p>C 20PCS</p>  <p>M5*38</p>
<p>D 2PCS</p>  <p>Ø4*30</p>	<p>E 5PCS</p>  <p>M8</p>	<p>F 1PC</p> 

ASSEMBLY INSTRUCTION

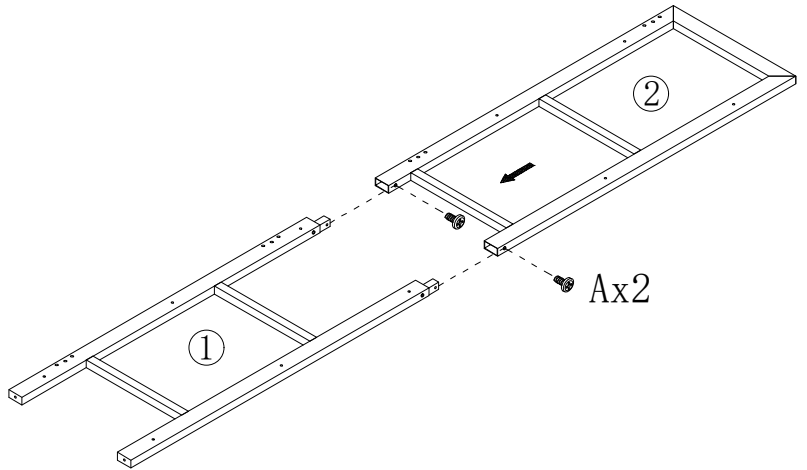
step 1

A 2PCS
M6*12



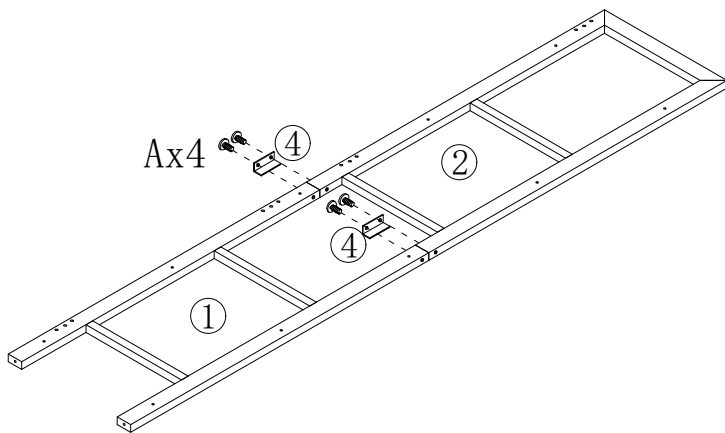
step 2

A 2PCS
M6*12



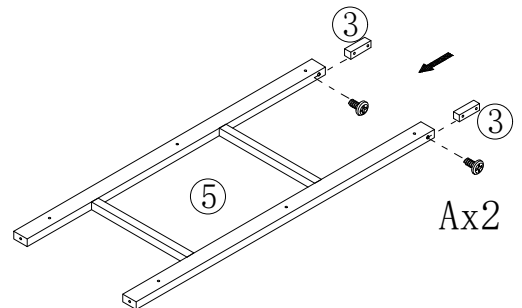
step 3

A 4PCS
M6*12



step 4

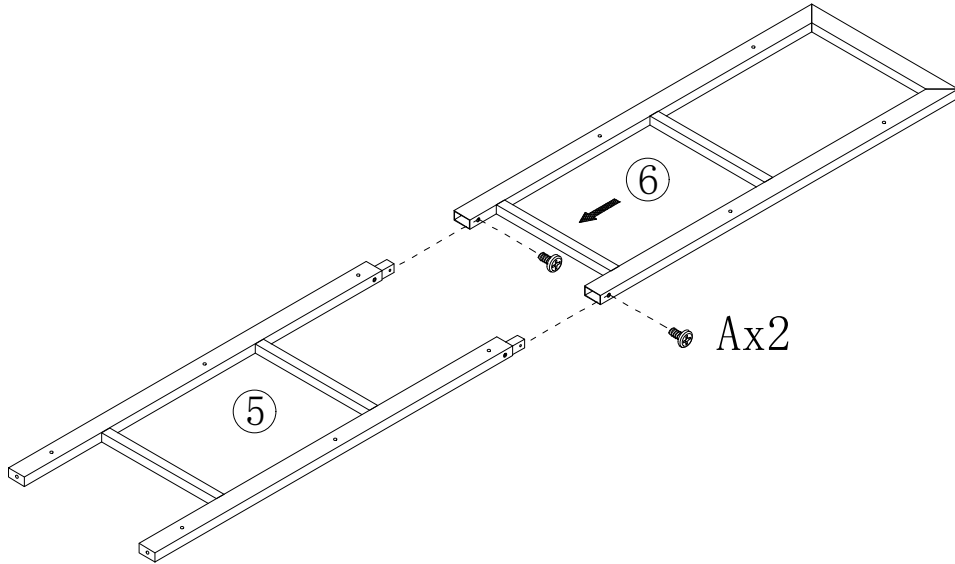
A 2PCS
M6*12



step 5

A 2PCS

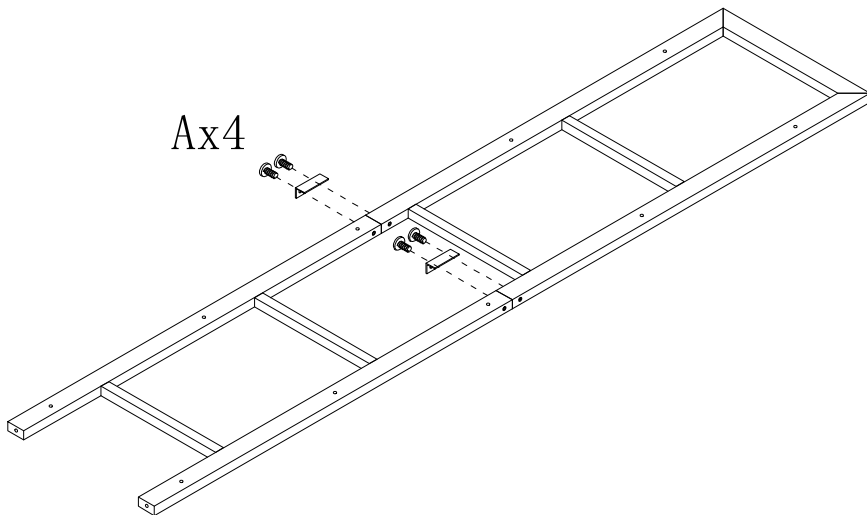

M6*12



step 6

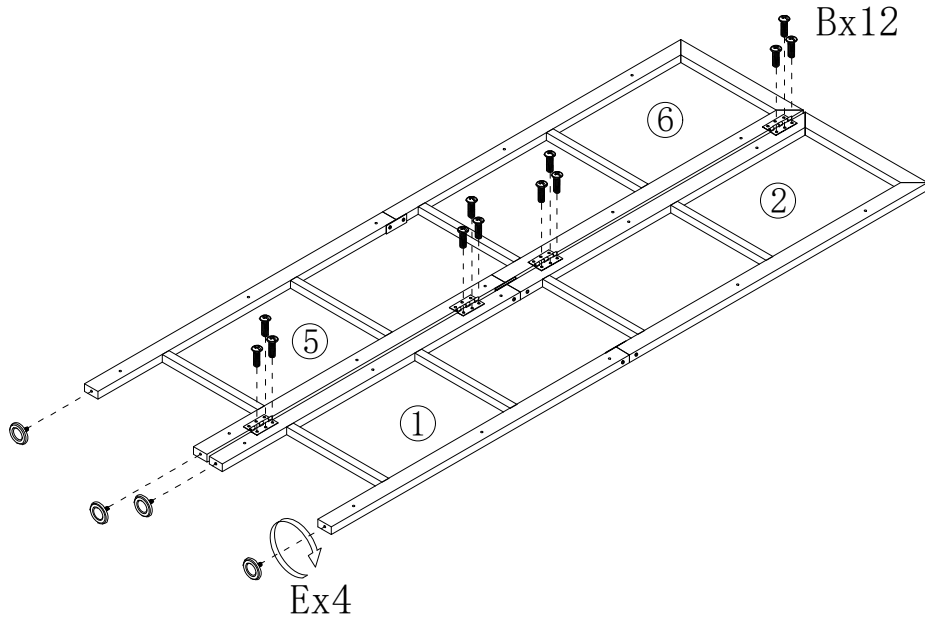
A 4PCS




M6*12



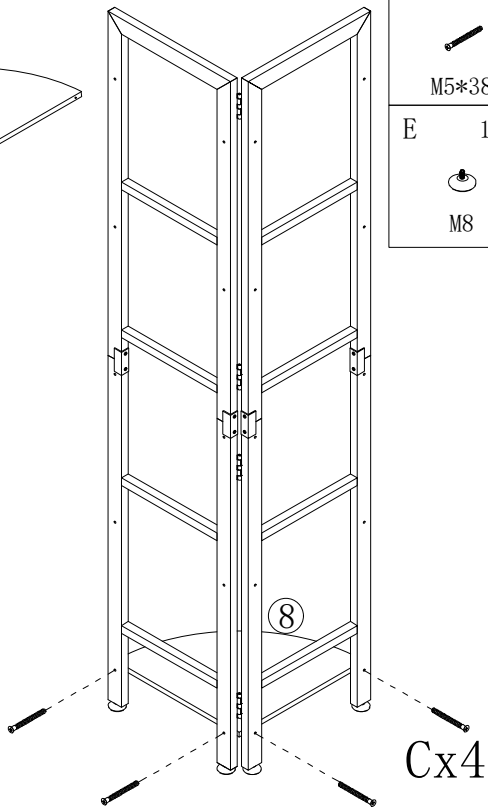
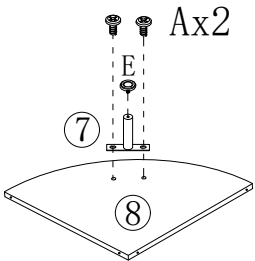
ASSEMBLY INSTRUCTION




step 7



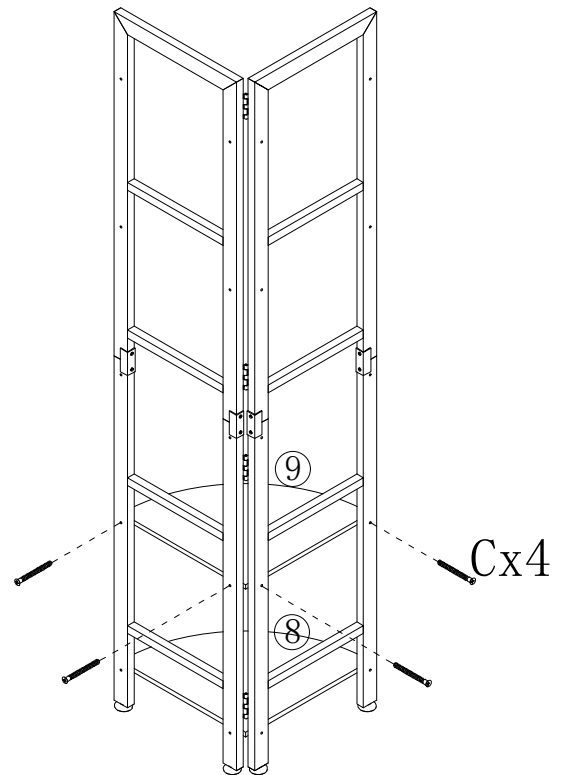
B	12PCS
	
M4*16	
E	4PCS
	
M8	


step 8



A	2PCS
	
M6*12	
C	4PCS
	
M5*38	
E	1PC
	
M8	

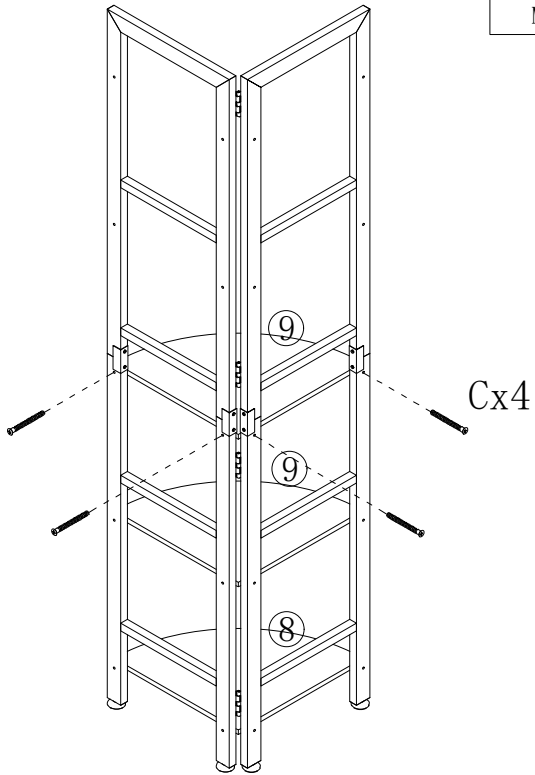
step 9



C	4PCS
	
M5*38	

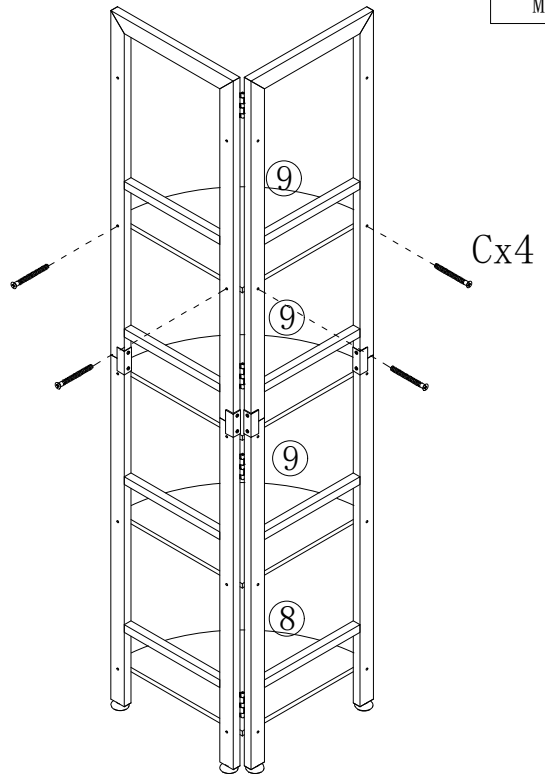
ASSEMBLY INSTRUCTION

step 10



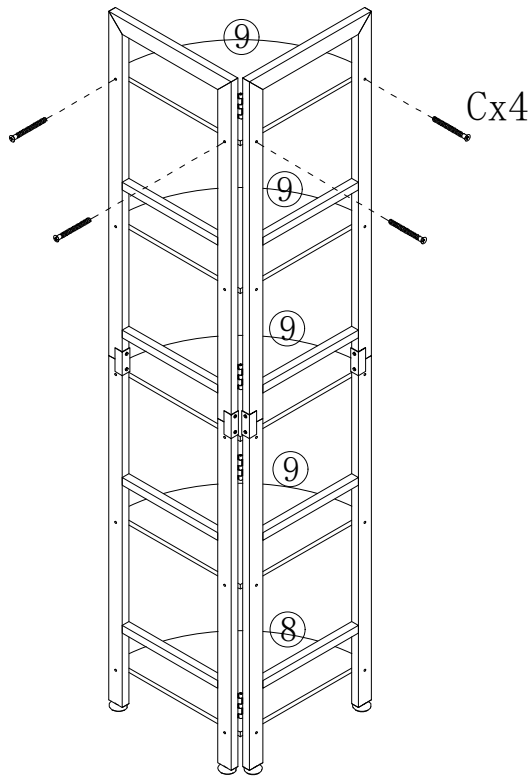
C 4PCS
M5*38

step 11



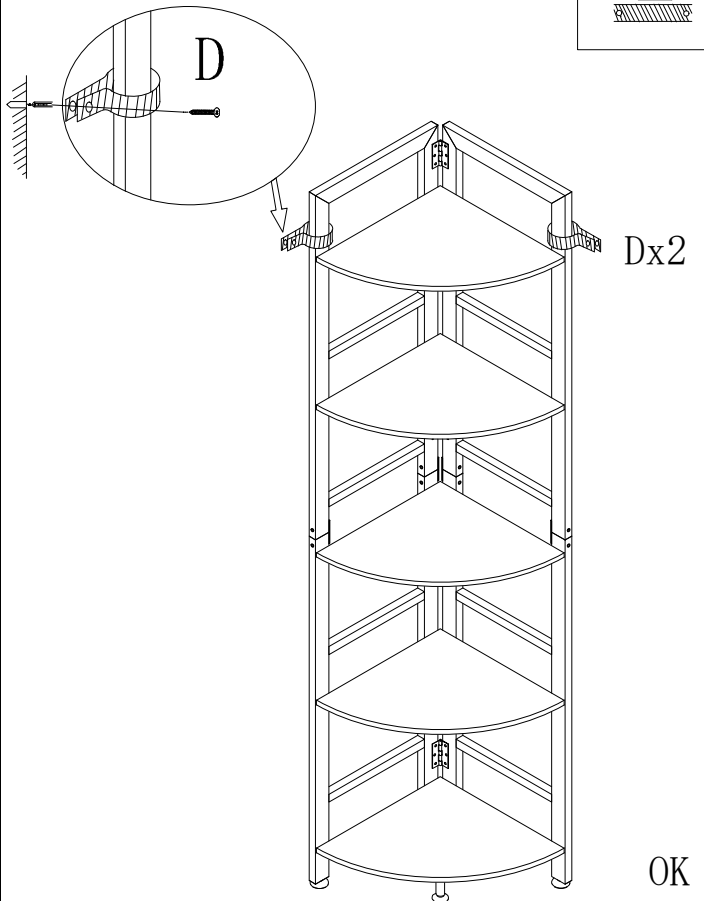
C 4PCS
M5*38

step 12



C 4PCS
M5*38

step 13



D 2PCS

OK