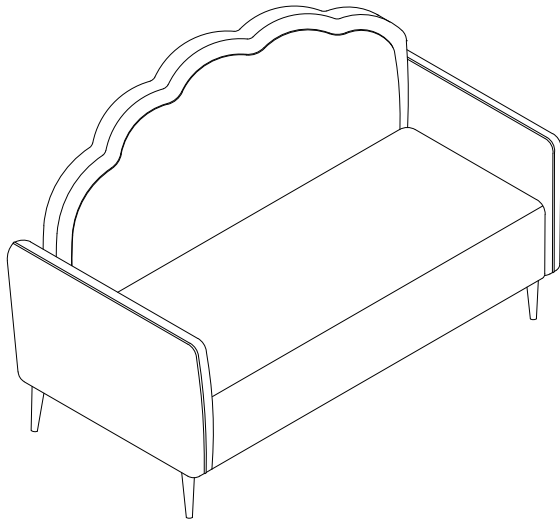


ASSEMBLY INSTRUCTION



Please **TEAR OFF** this shrink film from side!
DO NOT USE CUTTER!

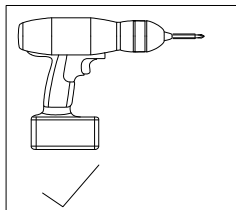
ITEM NUMBER:SOT002

IMPORTANT NOTE

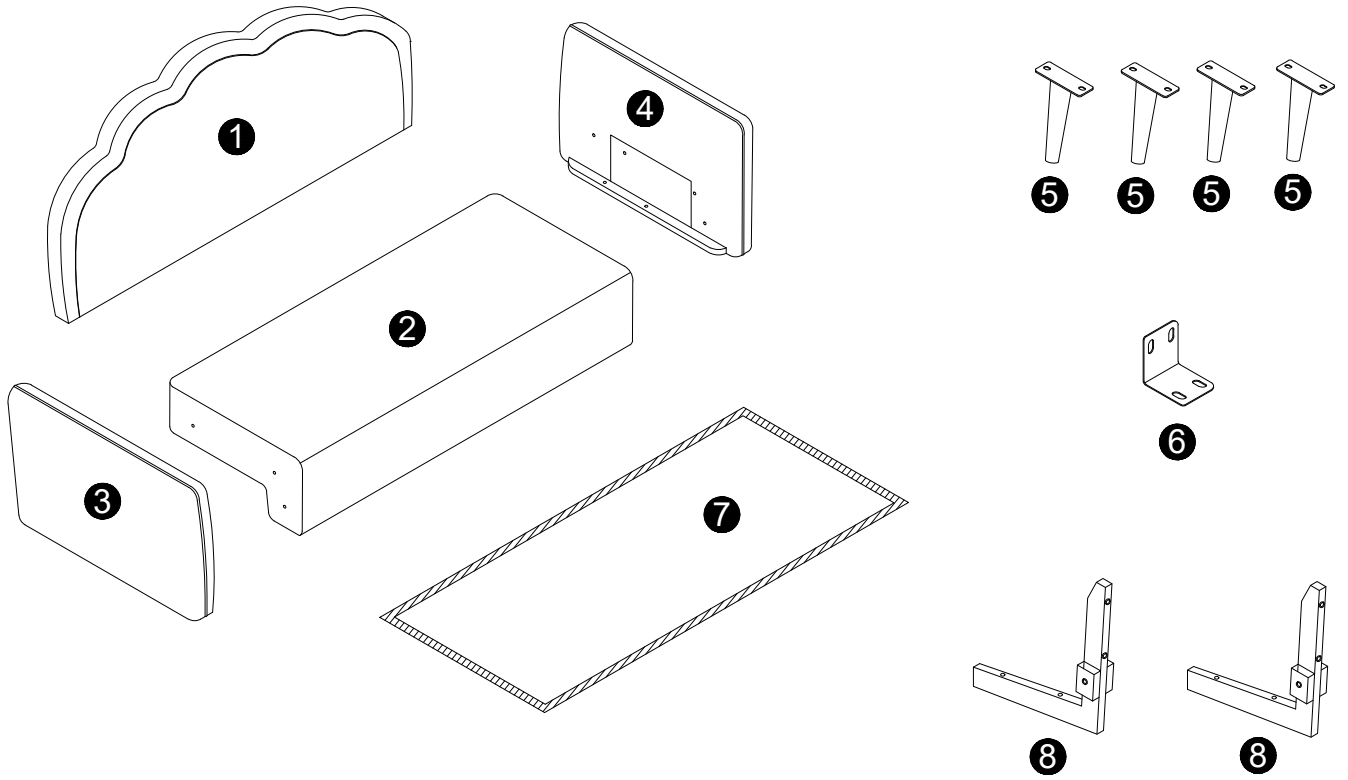
1. For the protection of your furniture, place all parts on a clean and smooth surface to prevent any damage.
2. Keep fittings out of children's reach and keep children well away from construction area.
3. When moving your assembled sofa. it is best to lift the sofa and never to drag it.
4. Do not use this product if parts are missing, damaged or worn.
5. This product should only be used on firm, level ground.
6. Please periodically check all fittings and re-tighten as necessary.
7. Do not use the sofa unless all bolts and screws are firmly secured.
8. For further assistance, please provide a screenshot of your order and contact us via email at support@velocavabed.com



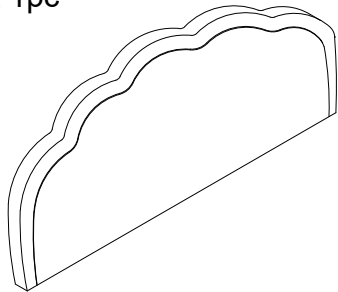
Minimum two
person assembly



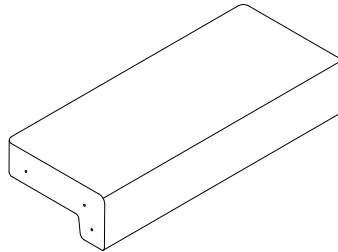
PART LIST



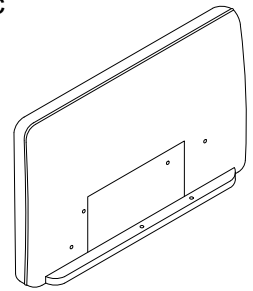
1 x 1pc



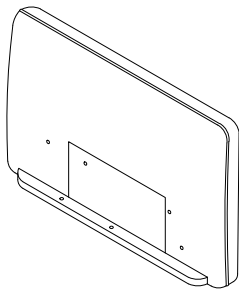
2 x 1pc



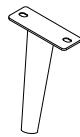
3 x 1pc



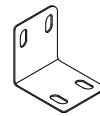
4 x 1pc



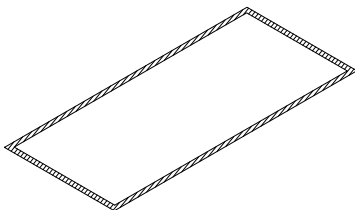
5 x 4pcs



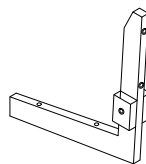
6 x 1pc



7 x 1pc


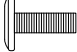





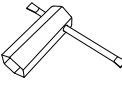
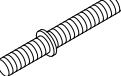



8 x 2pcs

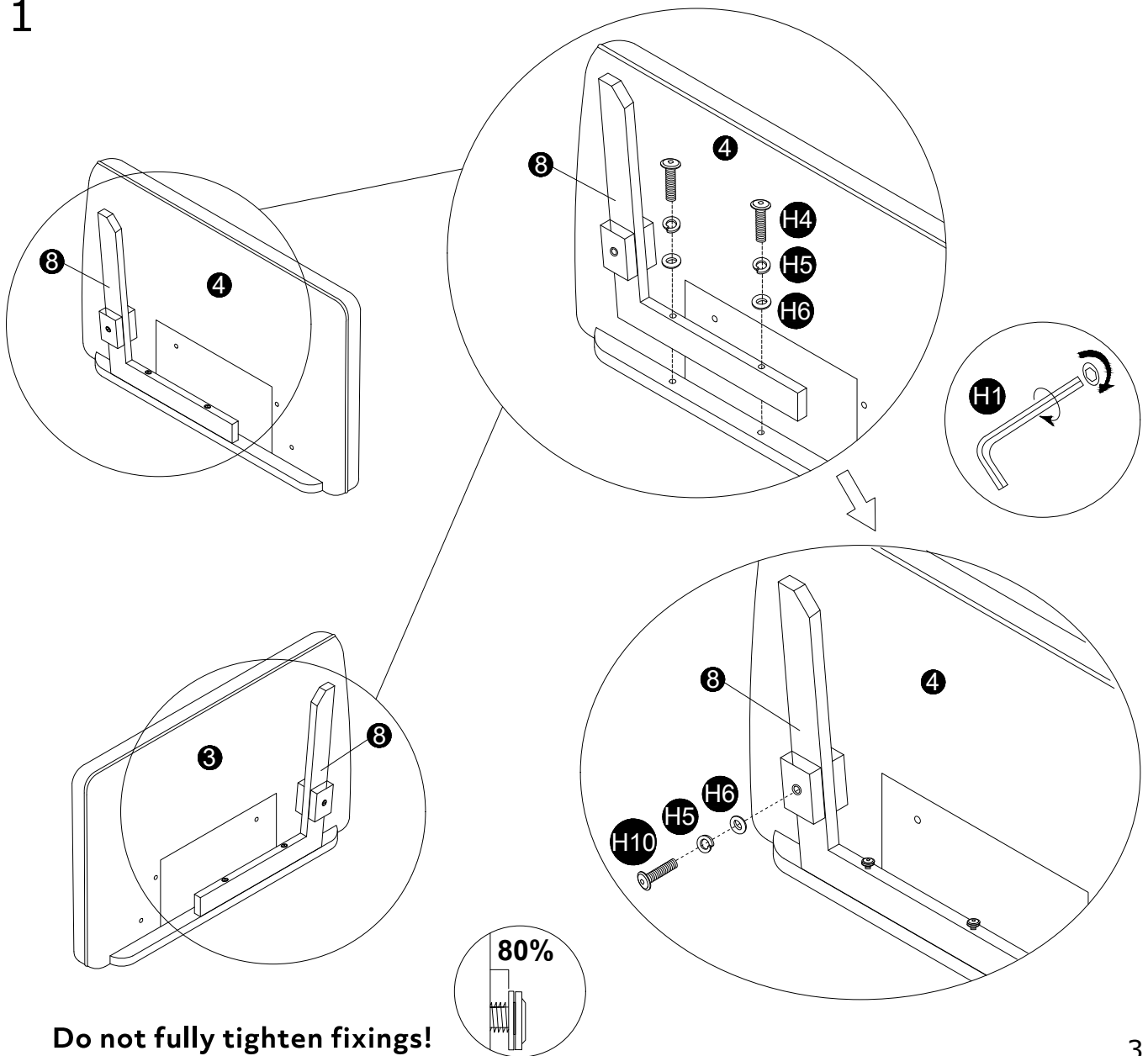


Please ensure to thoroughly inspect the small inner cardboard box containing the hardware, which are tied with a red string, before disposing of the box.

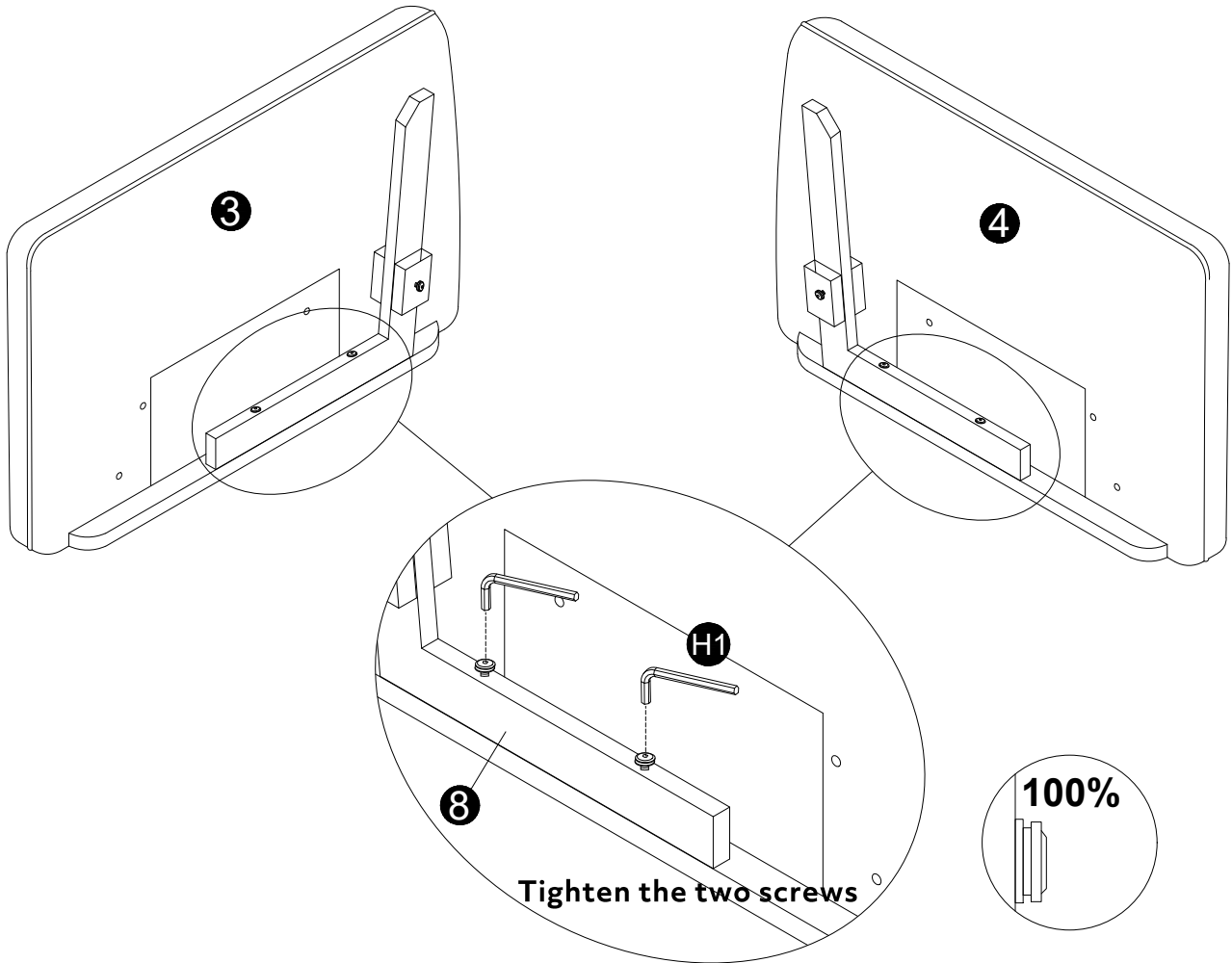
HARDWARE LIST

			
H1 M5 x 1pc	H2 M8x25mm x 12pcs	H3 M8x40mm x 4pcs	H4 M8x50mm x 4pcs
			
H5 M8 x 28pcs	H6 M8x22mm x 28pcs	H7 M8 x 6pcs	H8 x 1pc
			
H9 M8x80mm x 6pcs	H10 M8x70mm x 2pcs		

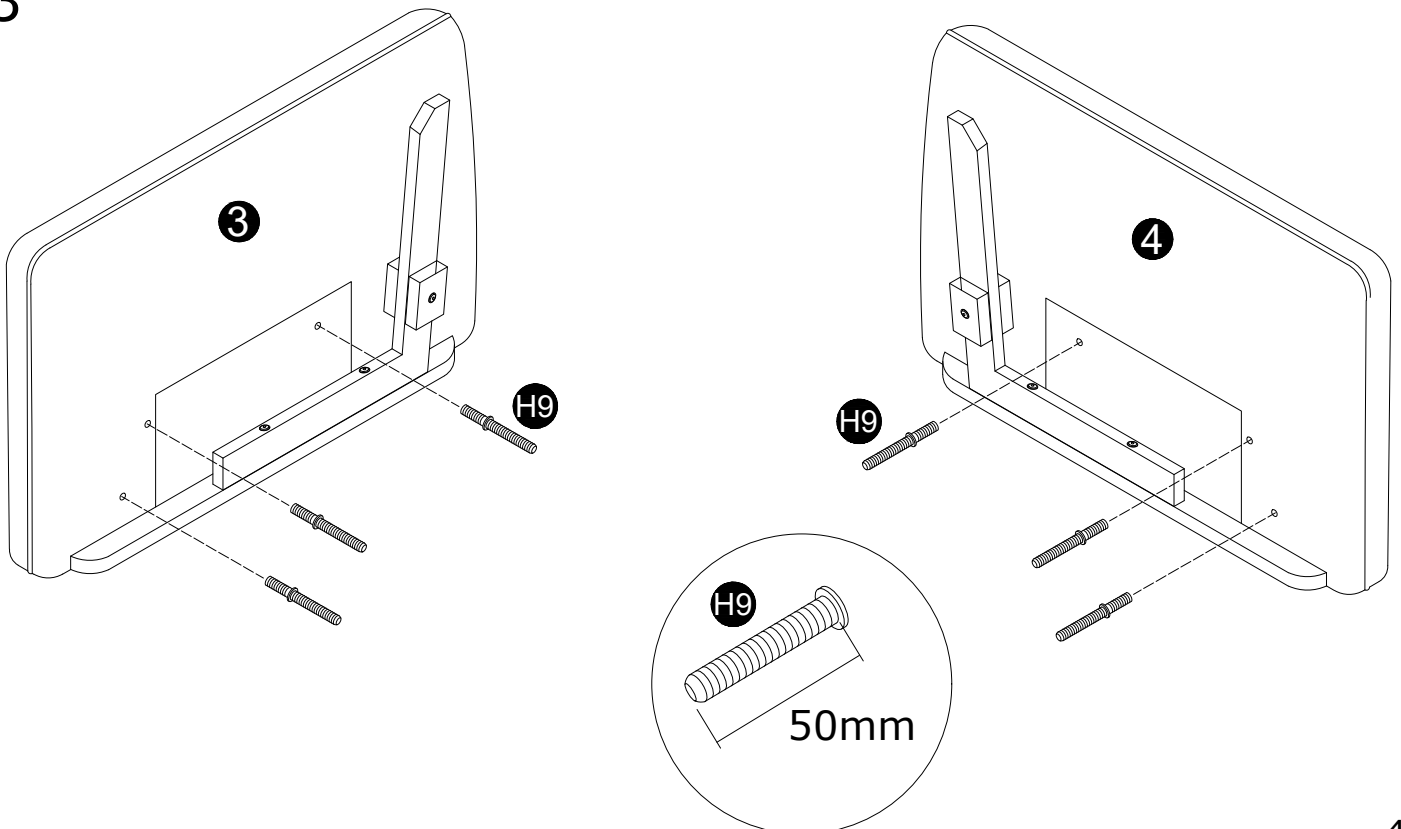
1



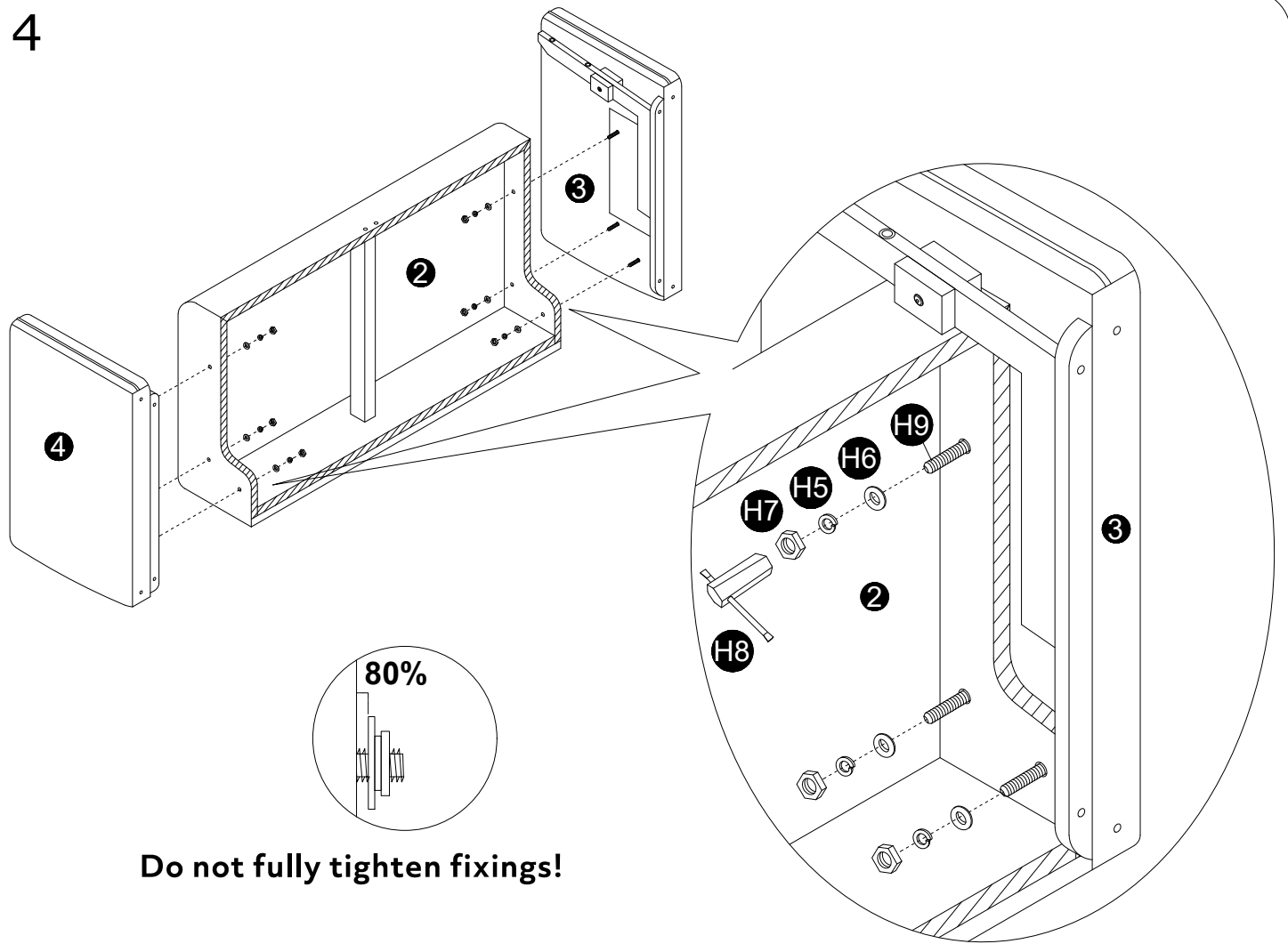
2



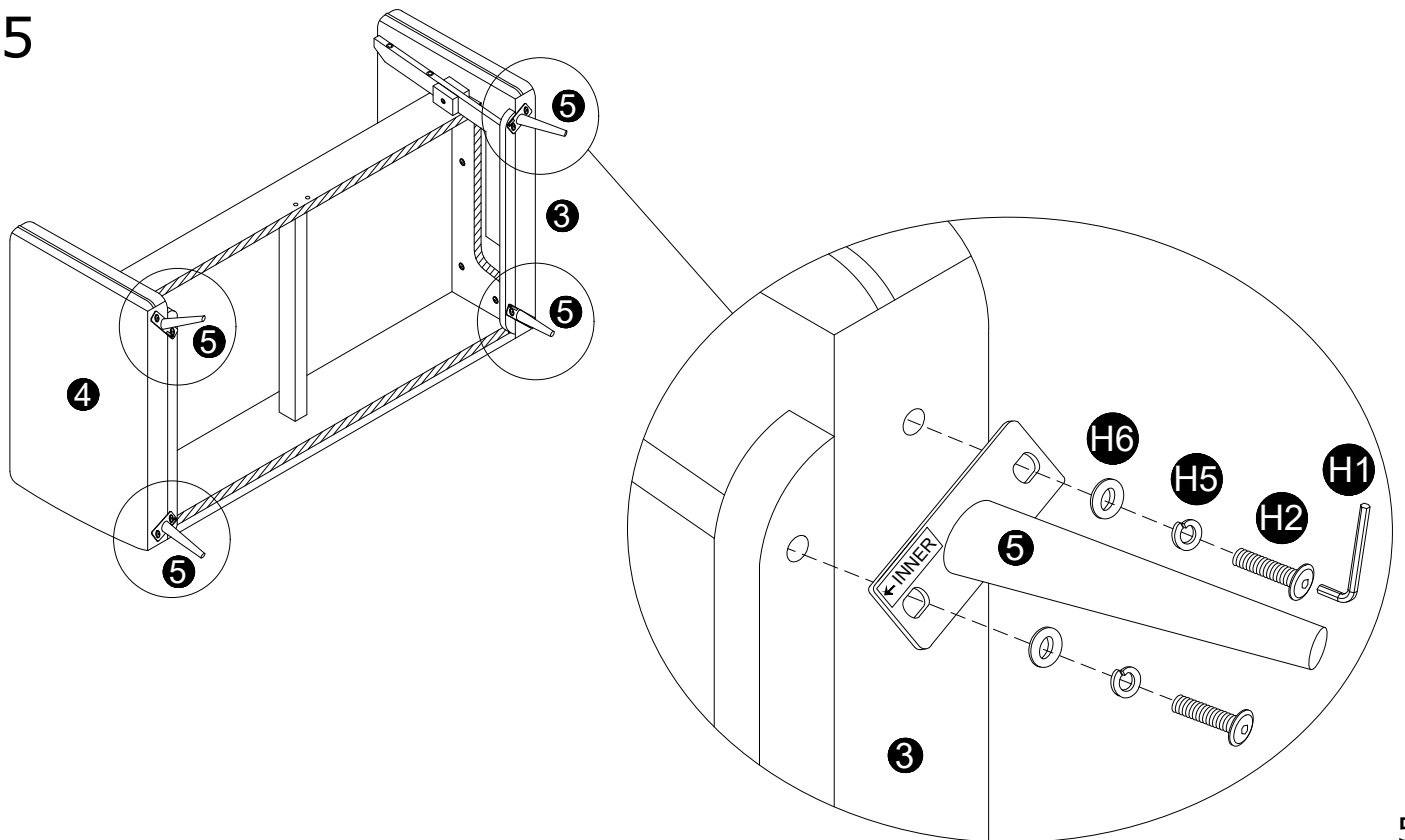
3



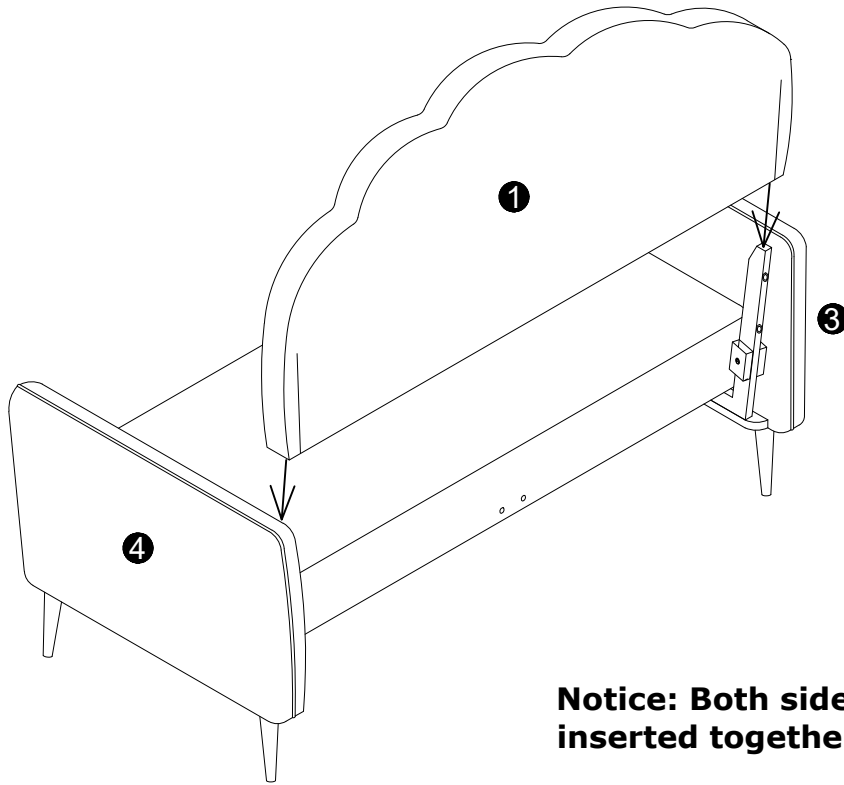
4



5

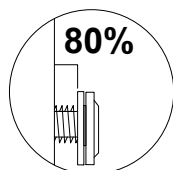
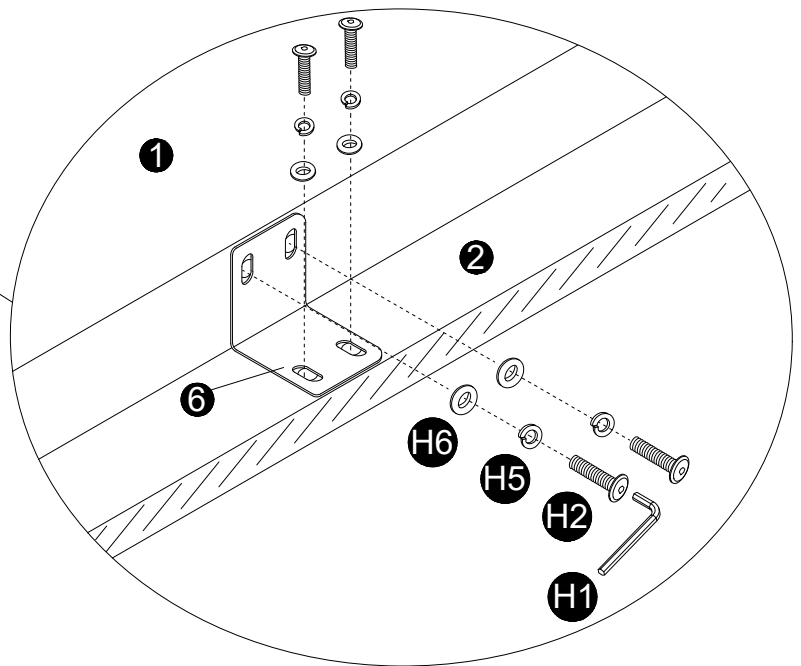
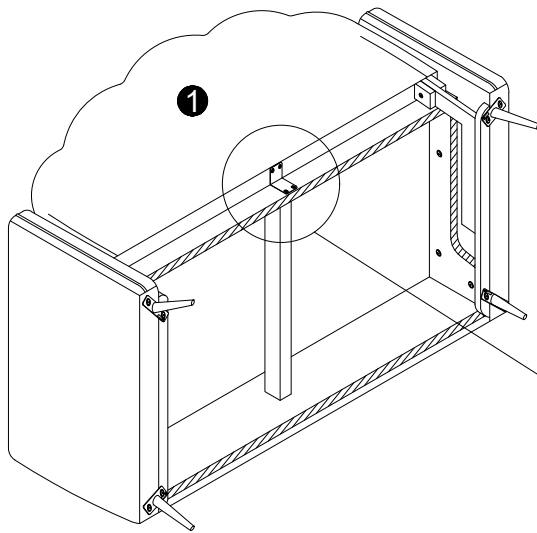


6



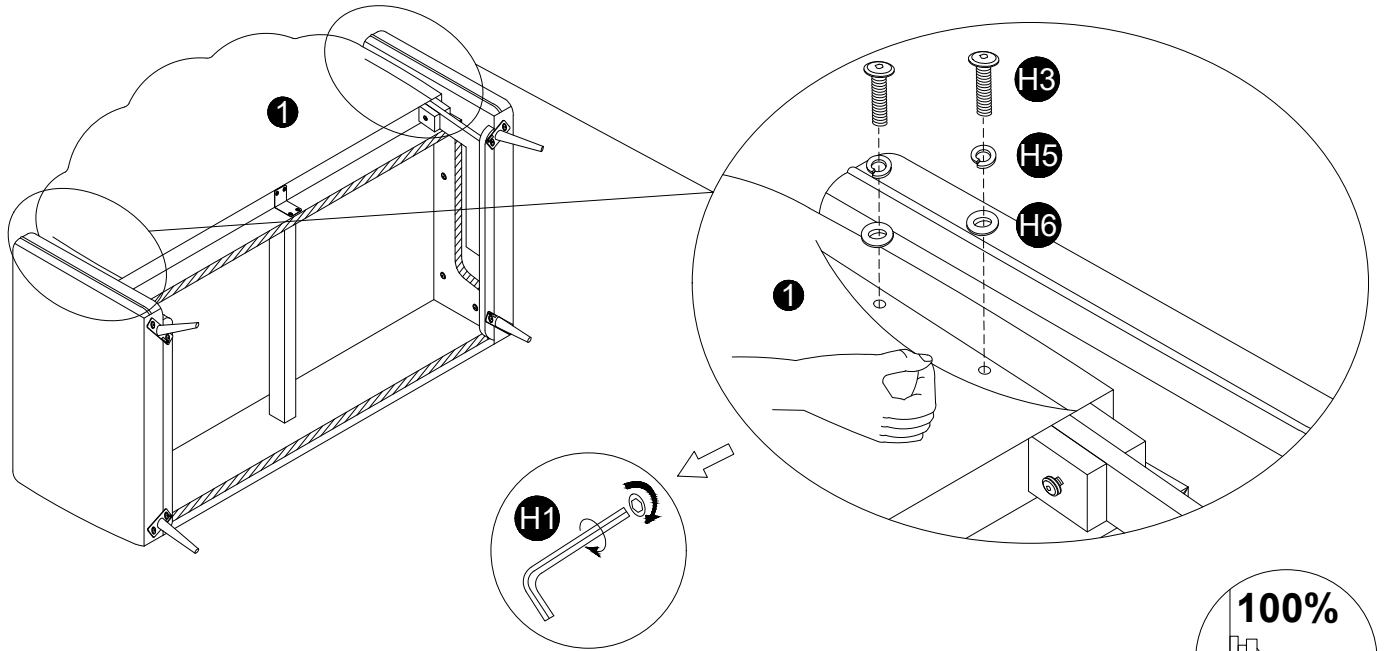
Notice: Both sides need to be inserted together at the same time!

7



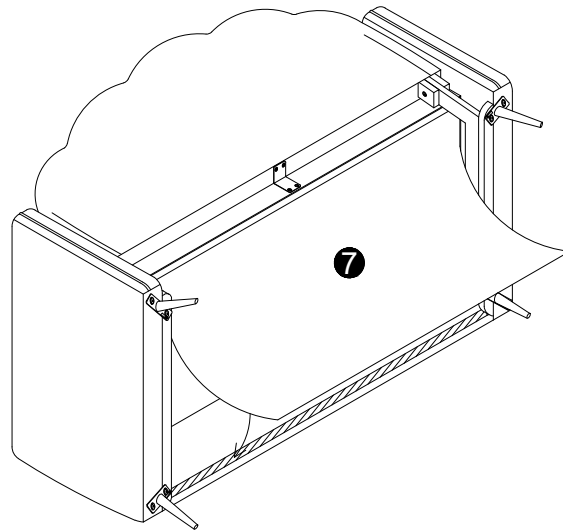
Do not fully tighten fixings!

8



Tighten ALL the screws from Step 1 , Step 4 and Step 7.

9



10

