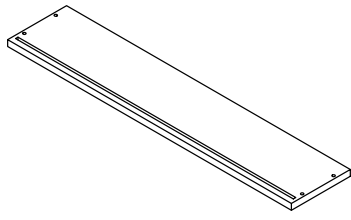
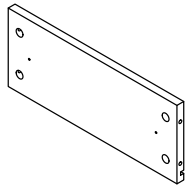


91117 Product Installation Instructions

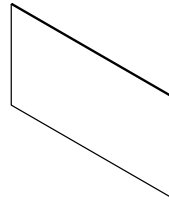




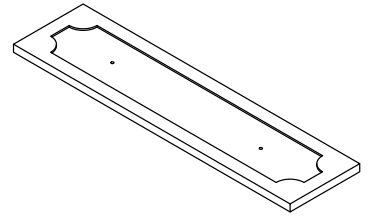
A x2



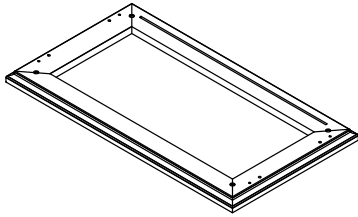
B x4



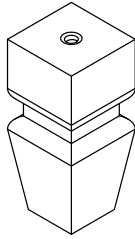
C x2



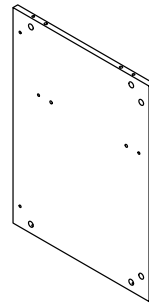
D x2



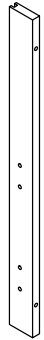
E x1



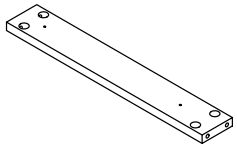
F x4



G x1



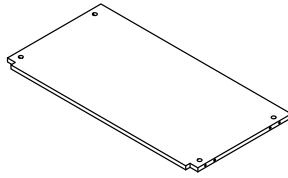
H x1



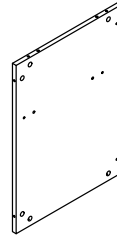
I x4



J x1



K x1



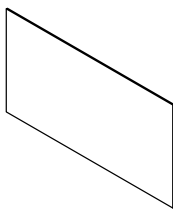
L x1



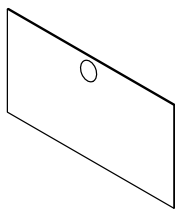
M x1



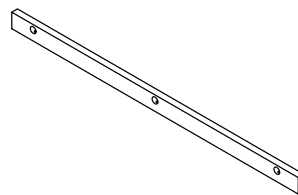
N x1



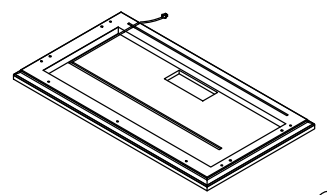
O x1



P x1

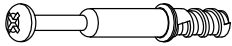



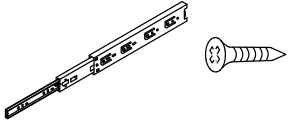


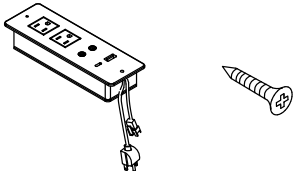
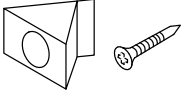
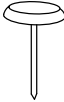


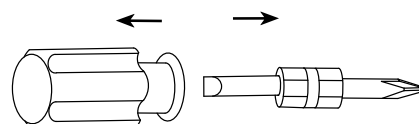
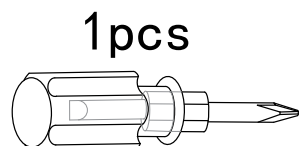
Q x1



R x1

Accessories list

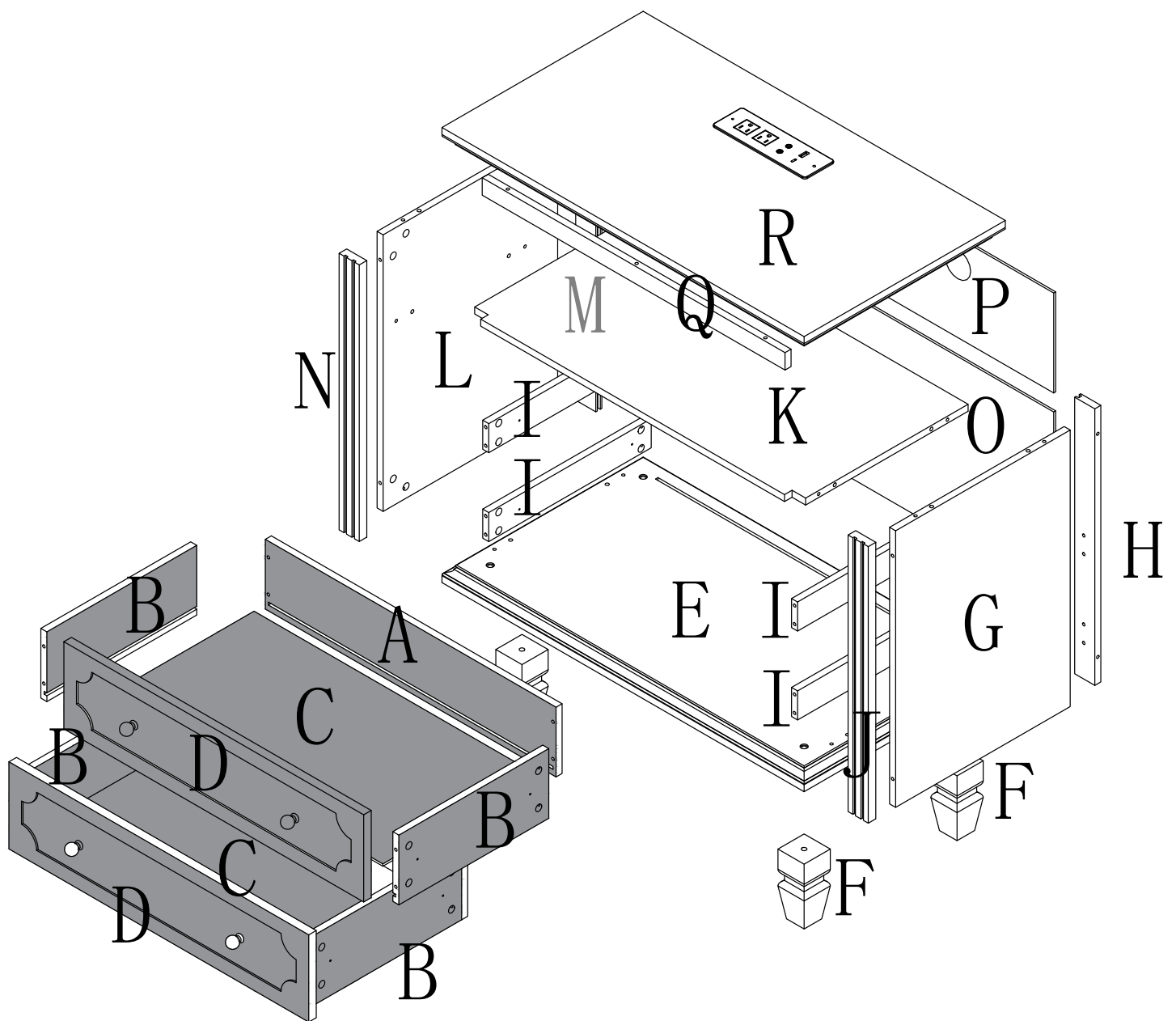
| | | | |
|----|---|-------------------------------------|------------------------|
| 1 |  | Two In One Screw (6x28mm) | 55pcs +5pcs |
| 2 |  | Two In One Nut (10x12mm) | 55pcs +5pcs |
| 3 |  | Wood Chipping (6x30mm) | 12pcs +2pcs |
| 4 |  | Handle & Screw (4x16mm) | 4pcs 4pcs +1pcs |
| 5 |  | Screw & Guide (3x12mm) (29mm) | 4pcs 20pcs +2pcs |
| 6 |  | Non-slip pads 35*35*2 | 4pcs +2pcs |
| 7 |  | Screw (6x45mm) | 4pcs +1pcs |
| 8 |  | Power strip screw (3x10mm) | 1pcs 2pcs +1pcs |
| 9 |  | Fixing clip & screw (3x16mm) | 4pcs +2pcs |
| 10 |  | Foot nail | 2pcs +1pcs |



Double-head screwdriver, use as required

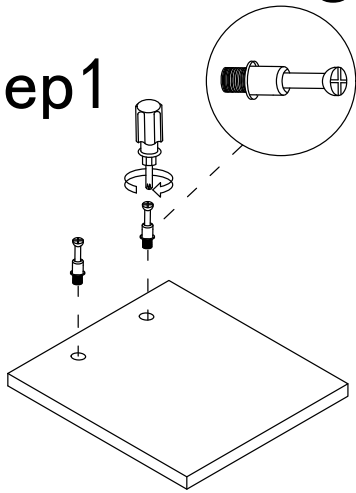


Product structure decomposition

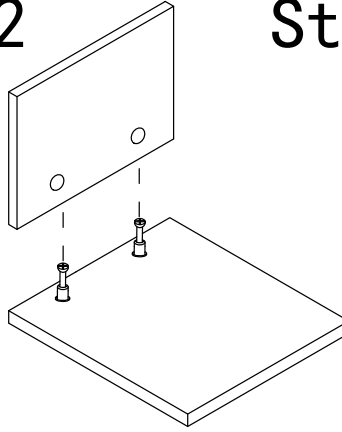


Use parts ① and ②

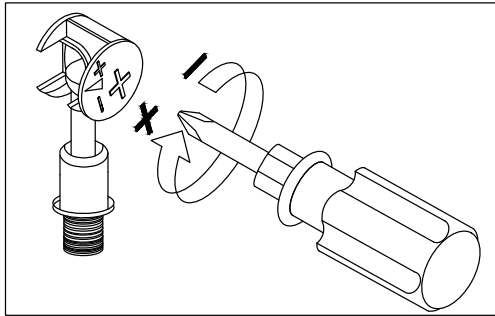
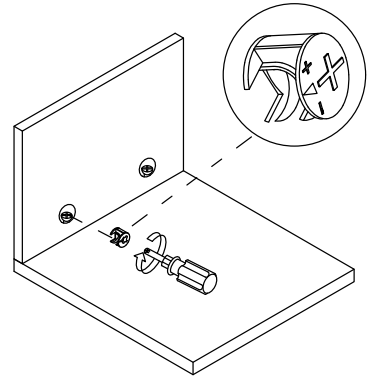
Step1



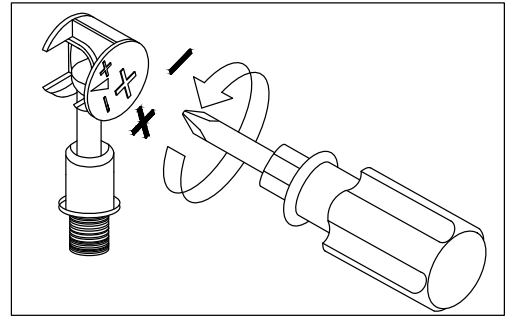
Step2



Step3

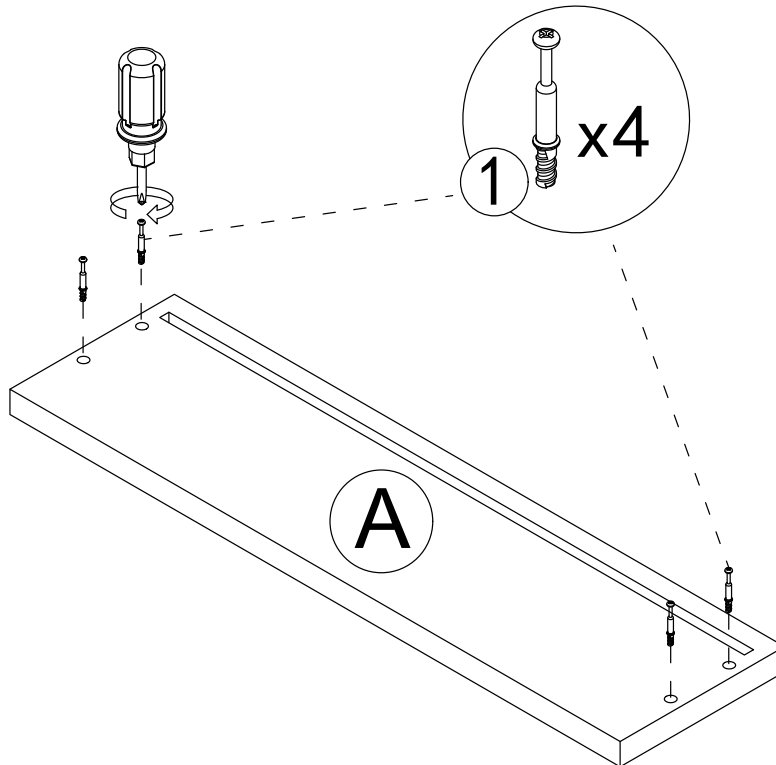
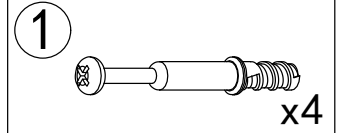


Use a screwdriver to lock in the direction of the "+" sign

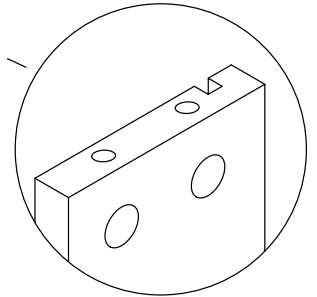
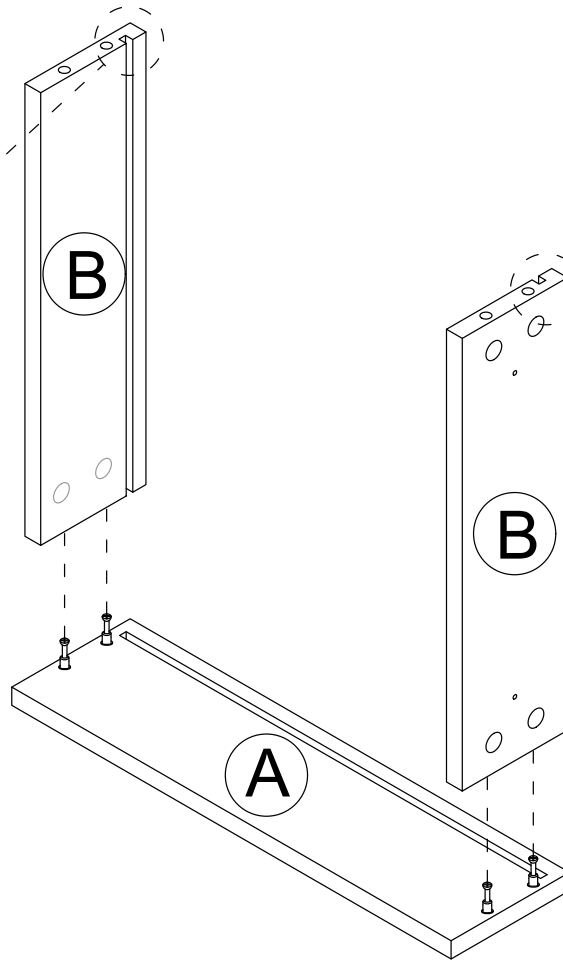
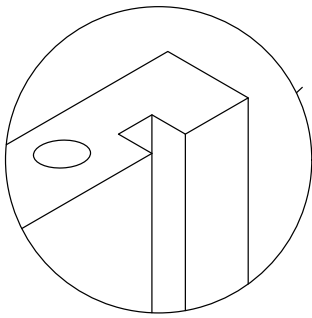


Disassemble along the direction of "-" sign

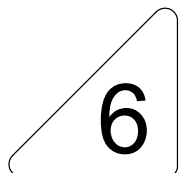
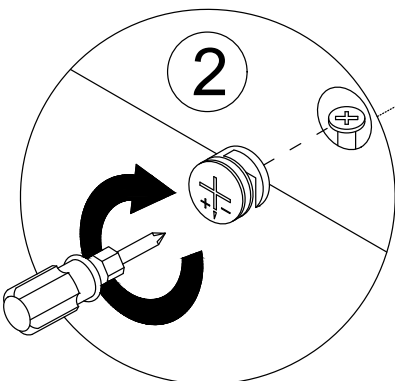
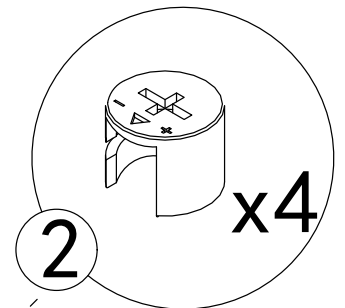
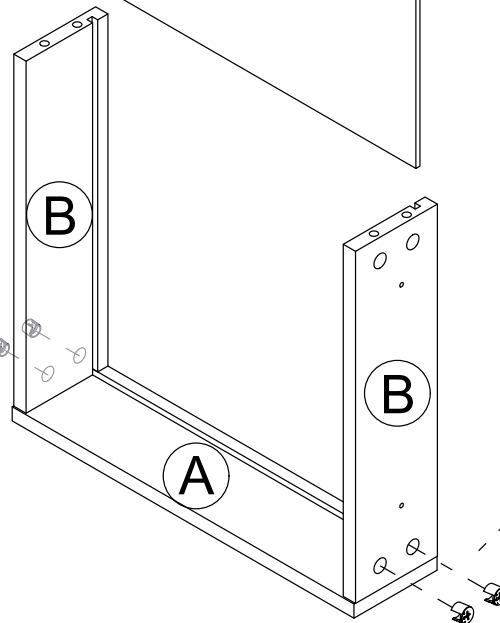
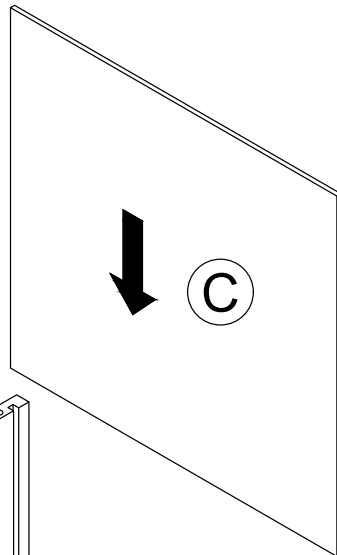
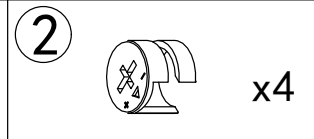
Step 1



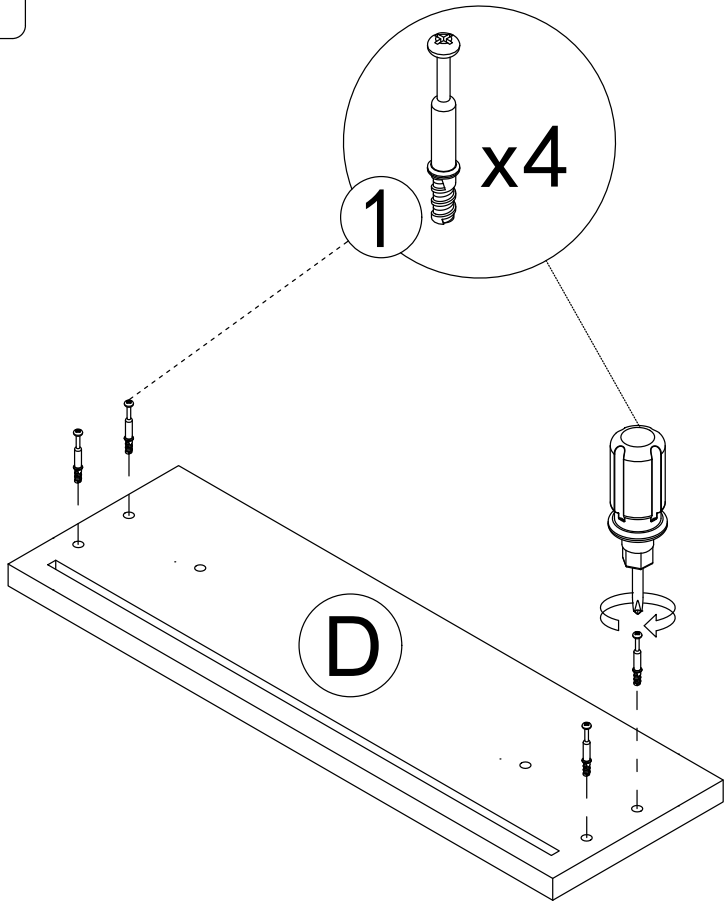
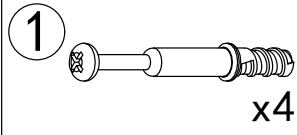
Step 2



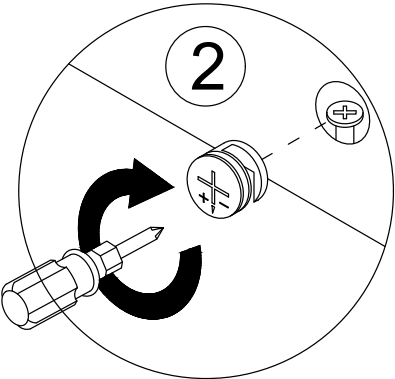
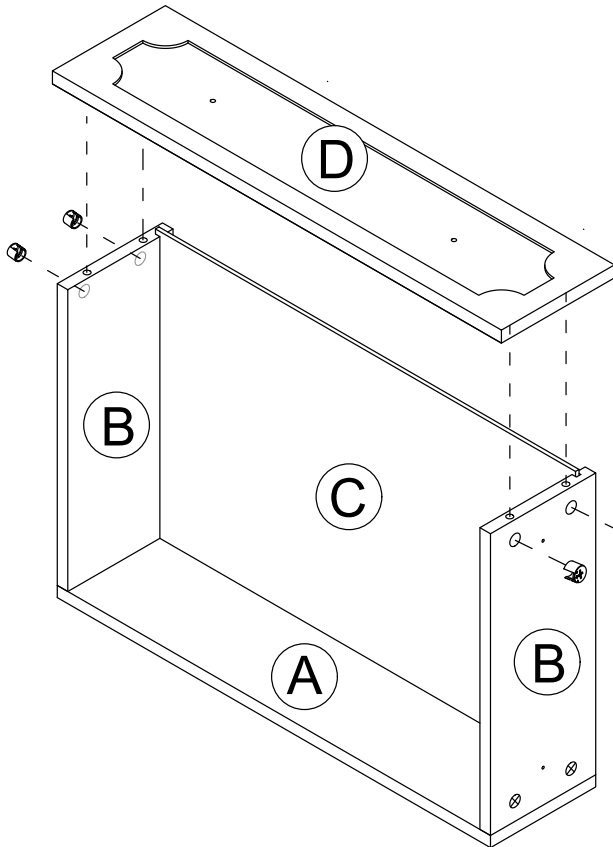
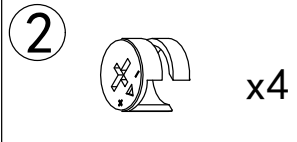
Step 3



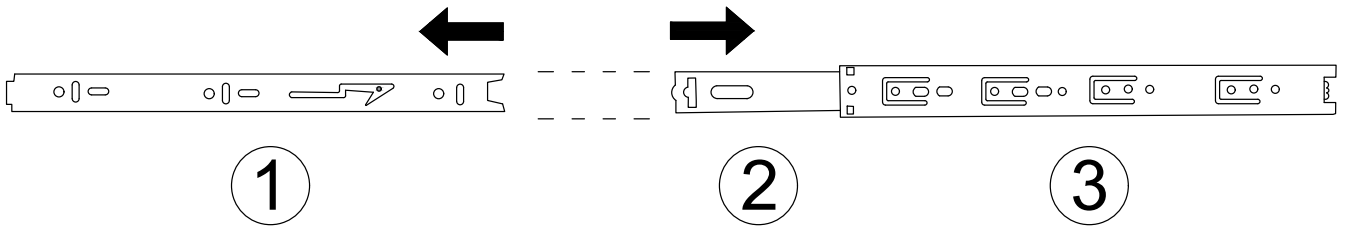
Step 4



Step 5

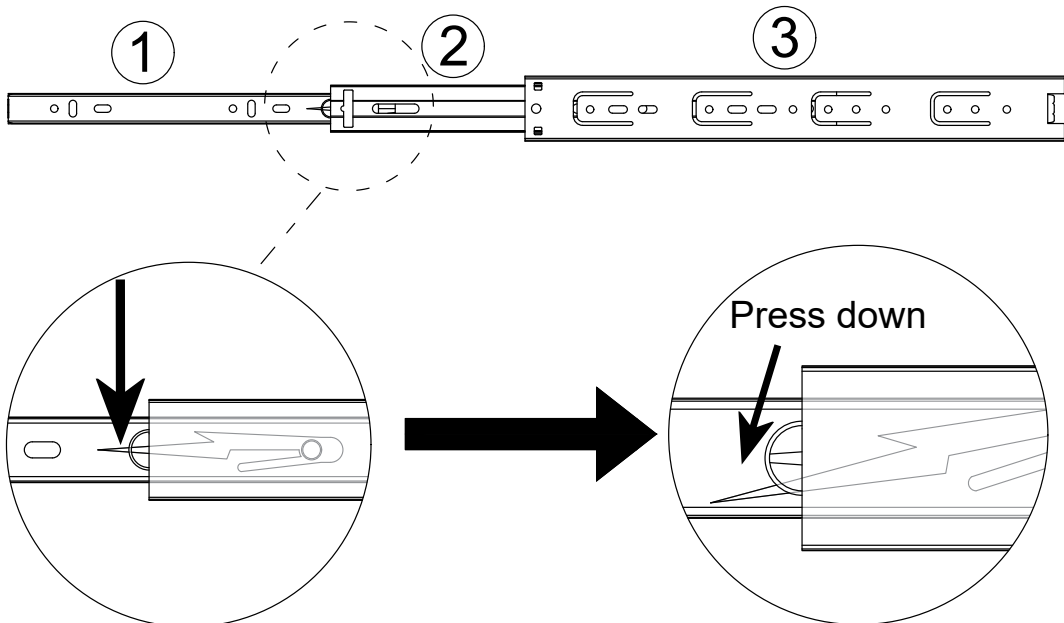


Drawer rail breakdown diagram



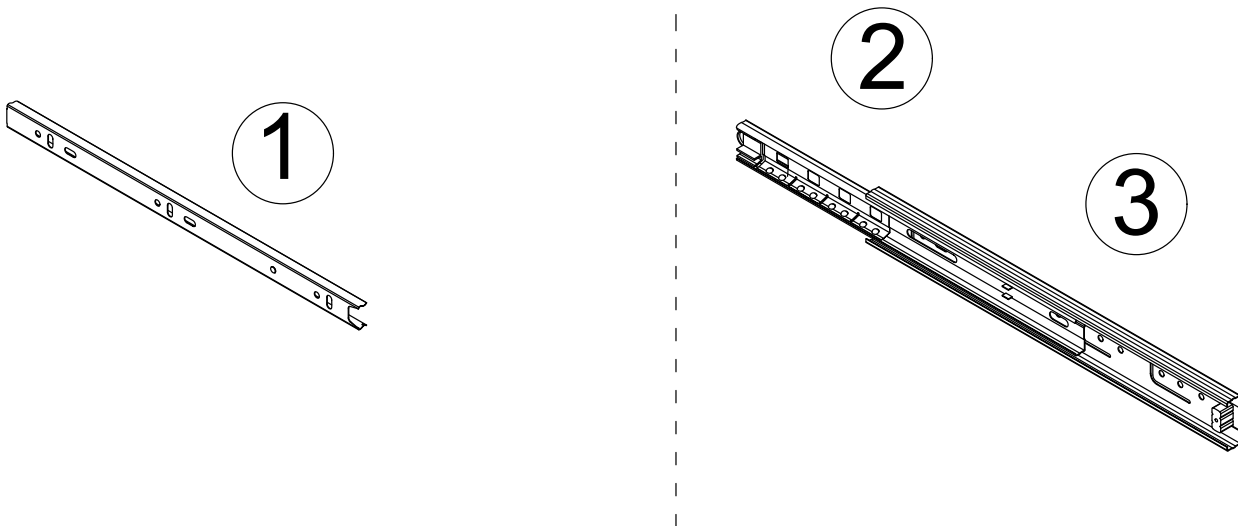
① Dismantle the schematic diagram

Step 1 : Pull the rails apart

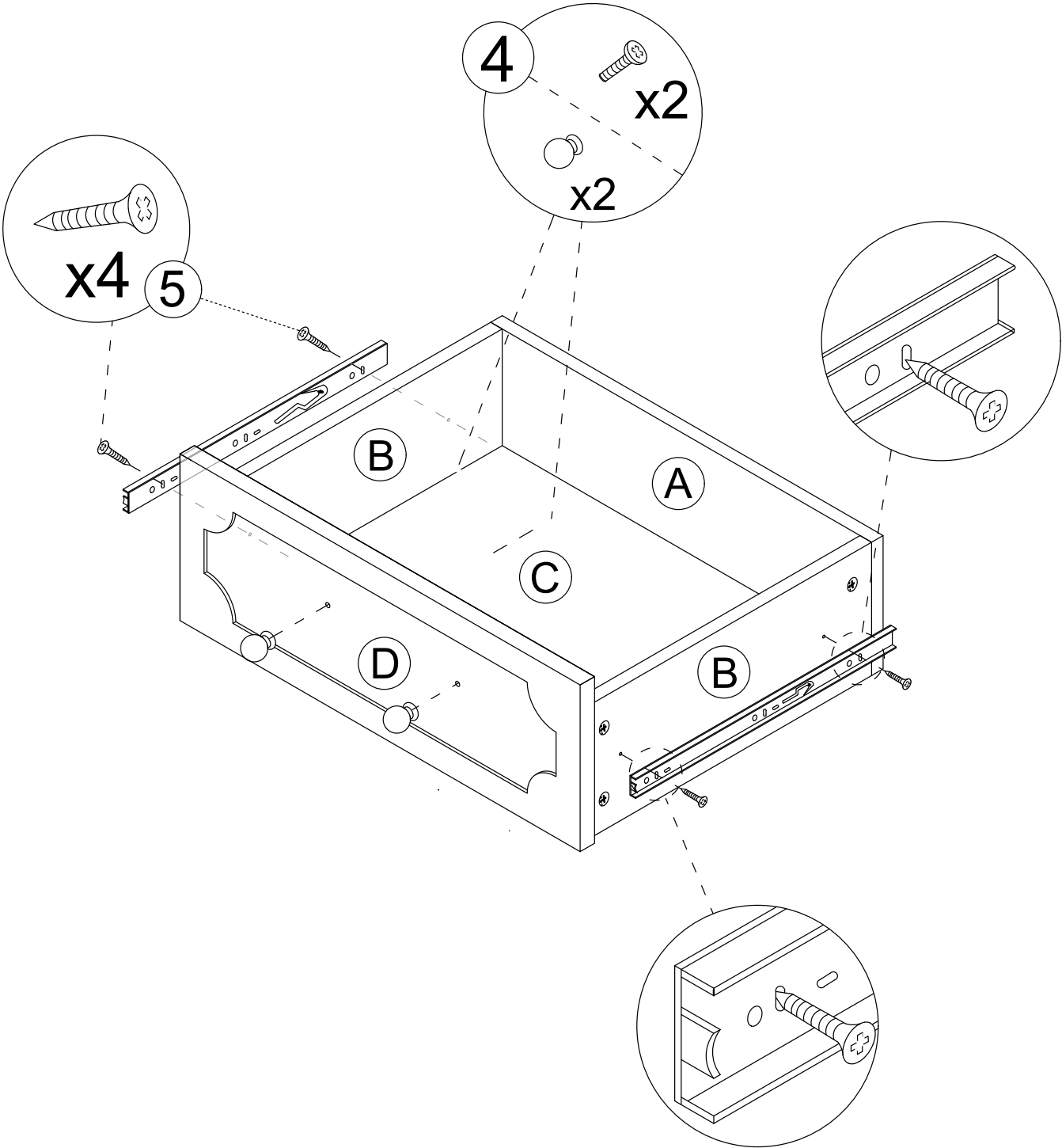
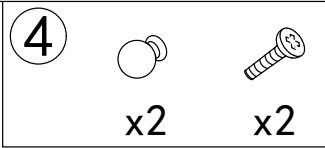
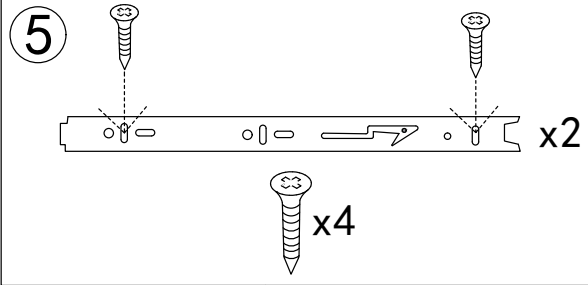


Step 2 : Press the nylon button and pull out ①.

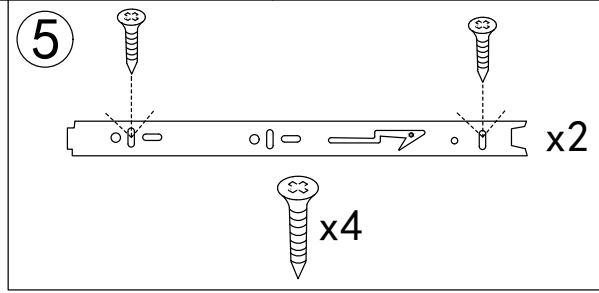
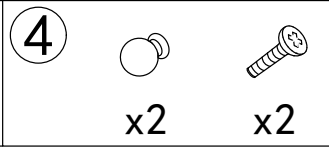
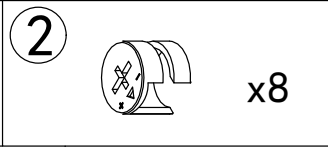
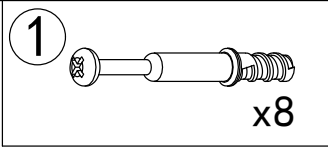
Drawer rail decomposition completed schematic diagram



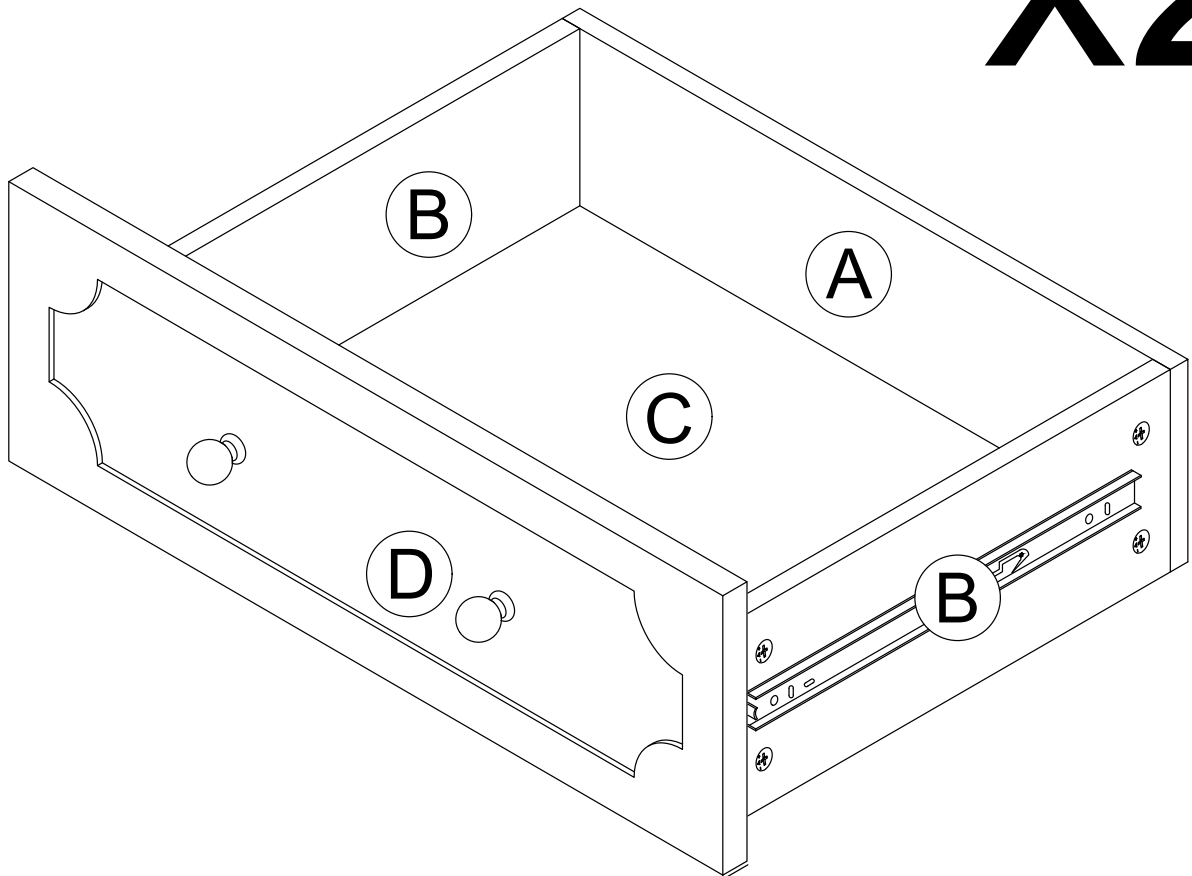
Step 6



Step 7

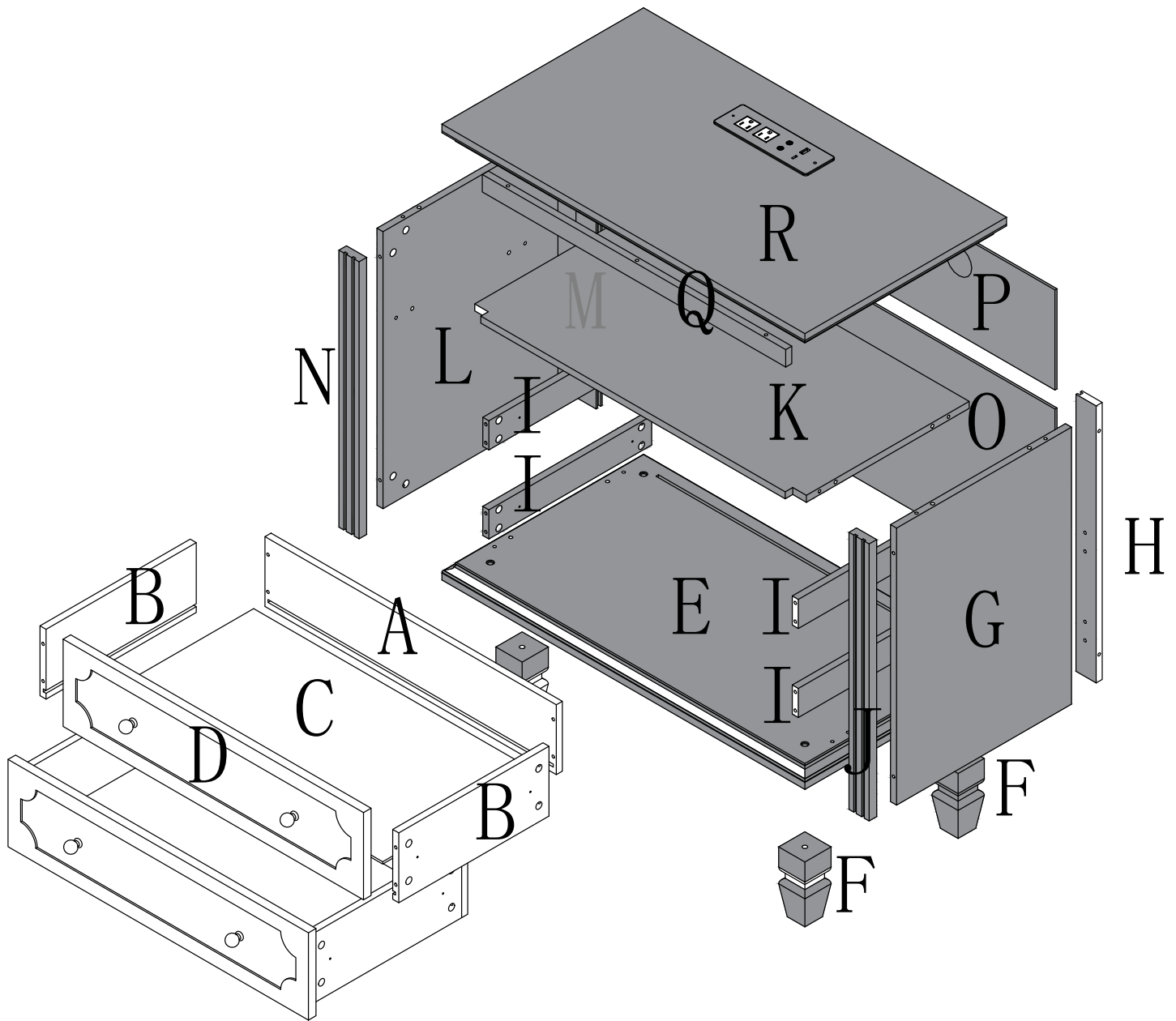


x2

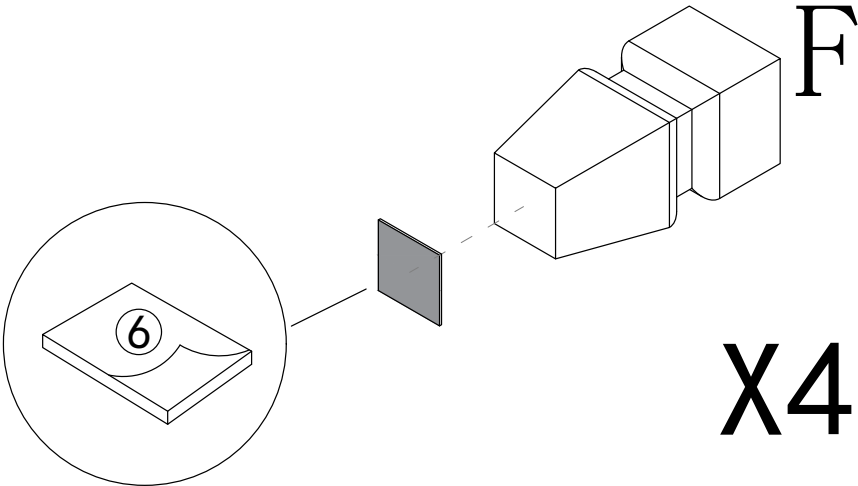
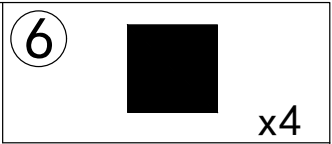


Repeat the drawer installation steps

Product structure decomposition

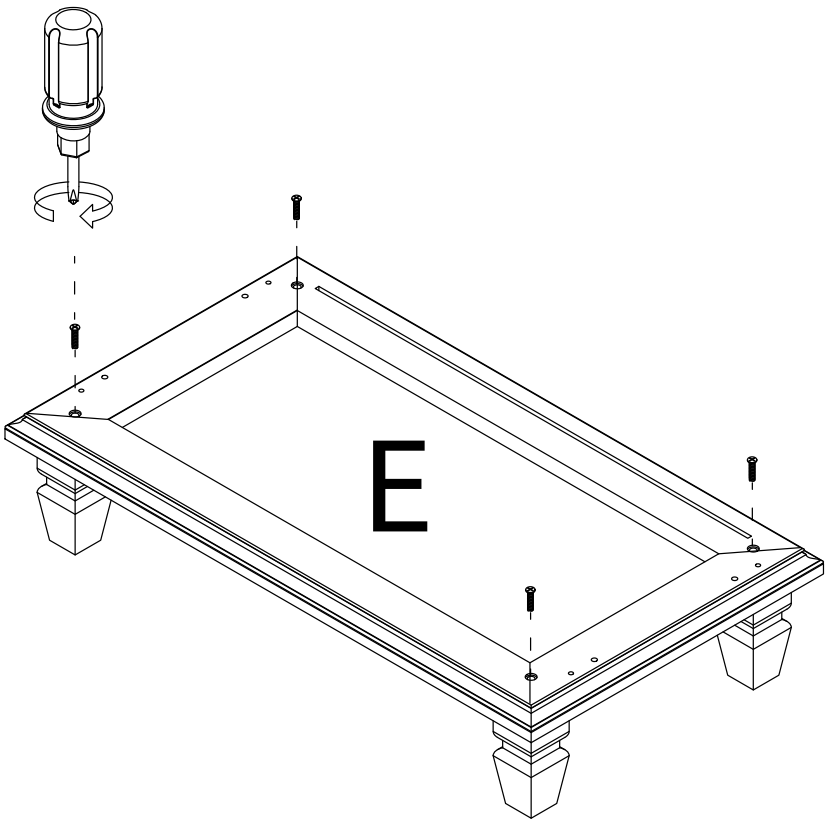
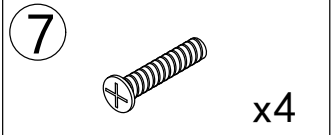


Step 8

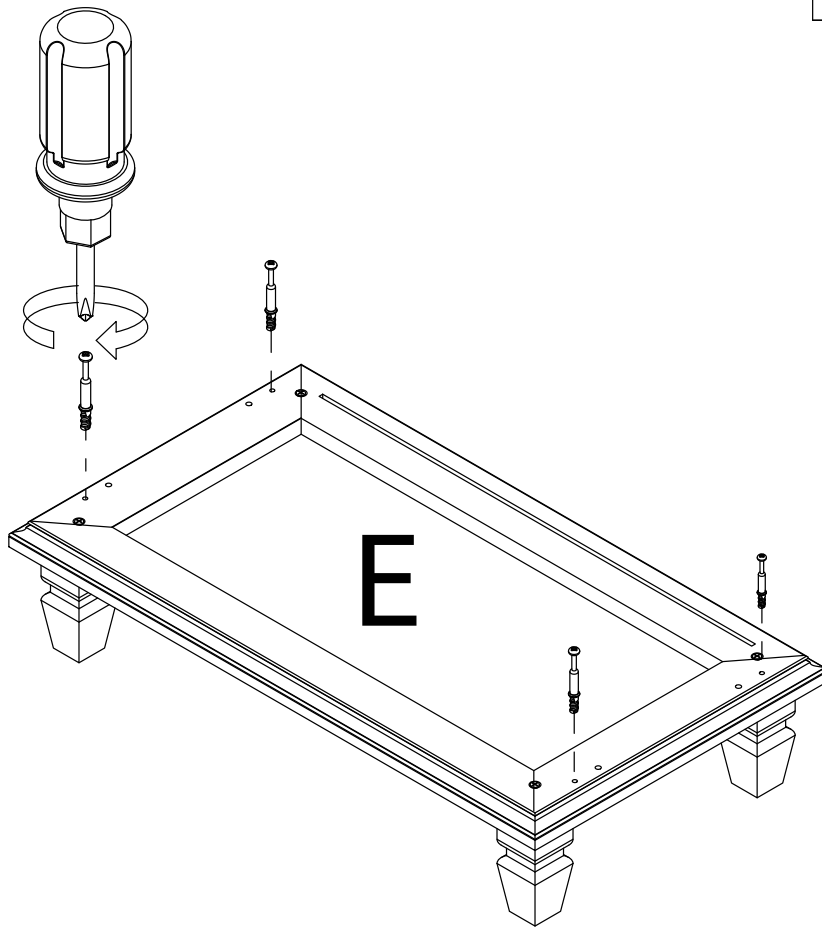
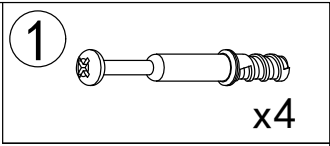


Tear off the protective film
before installation

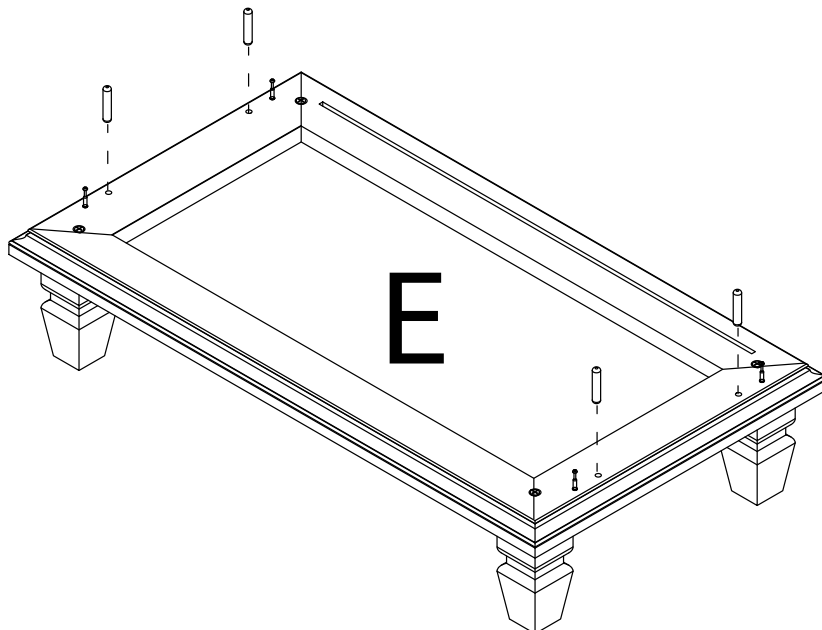
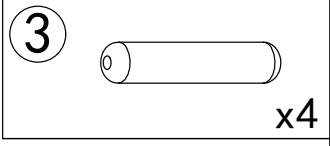
Step 9



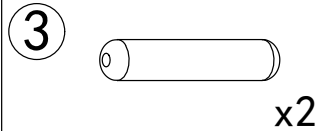
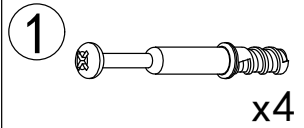
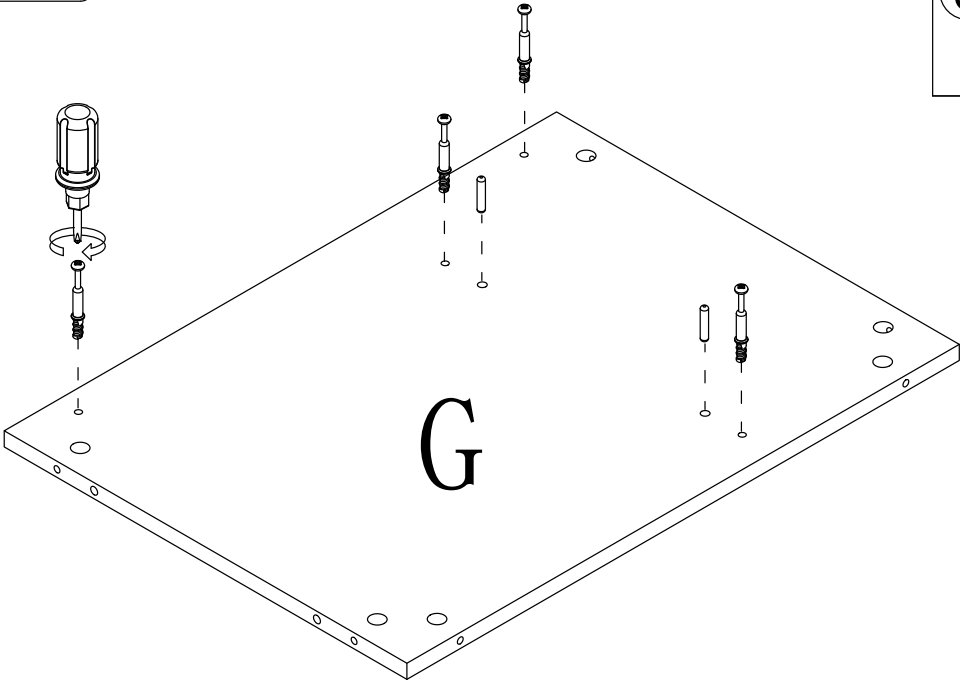
Step 10



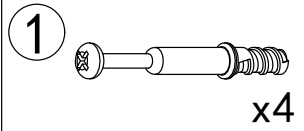
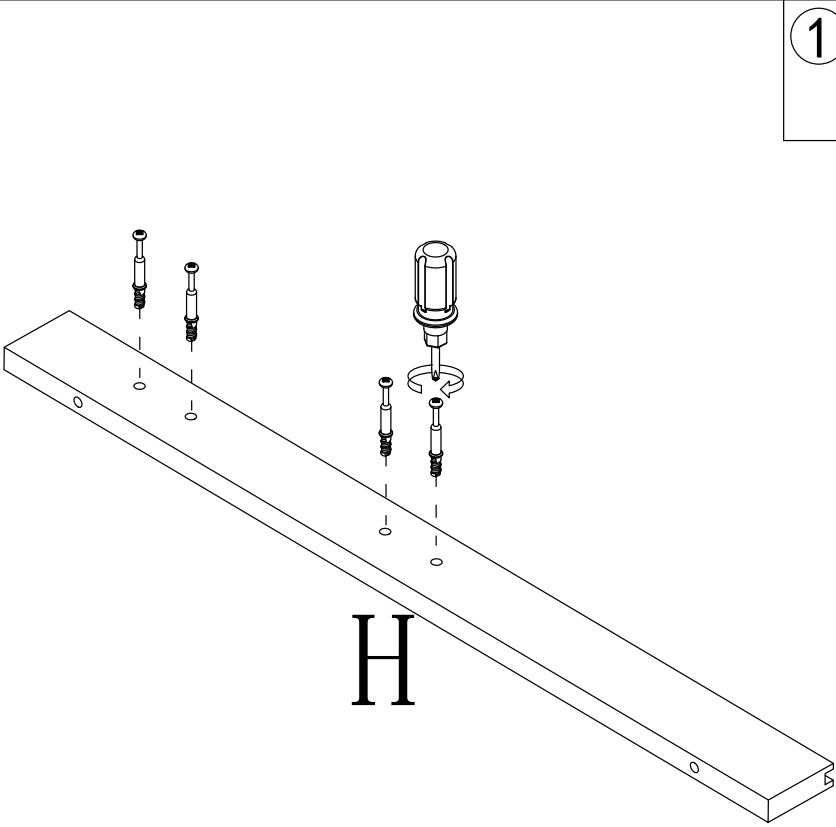
Step 11




Step 12

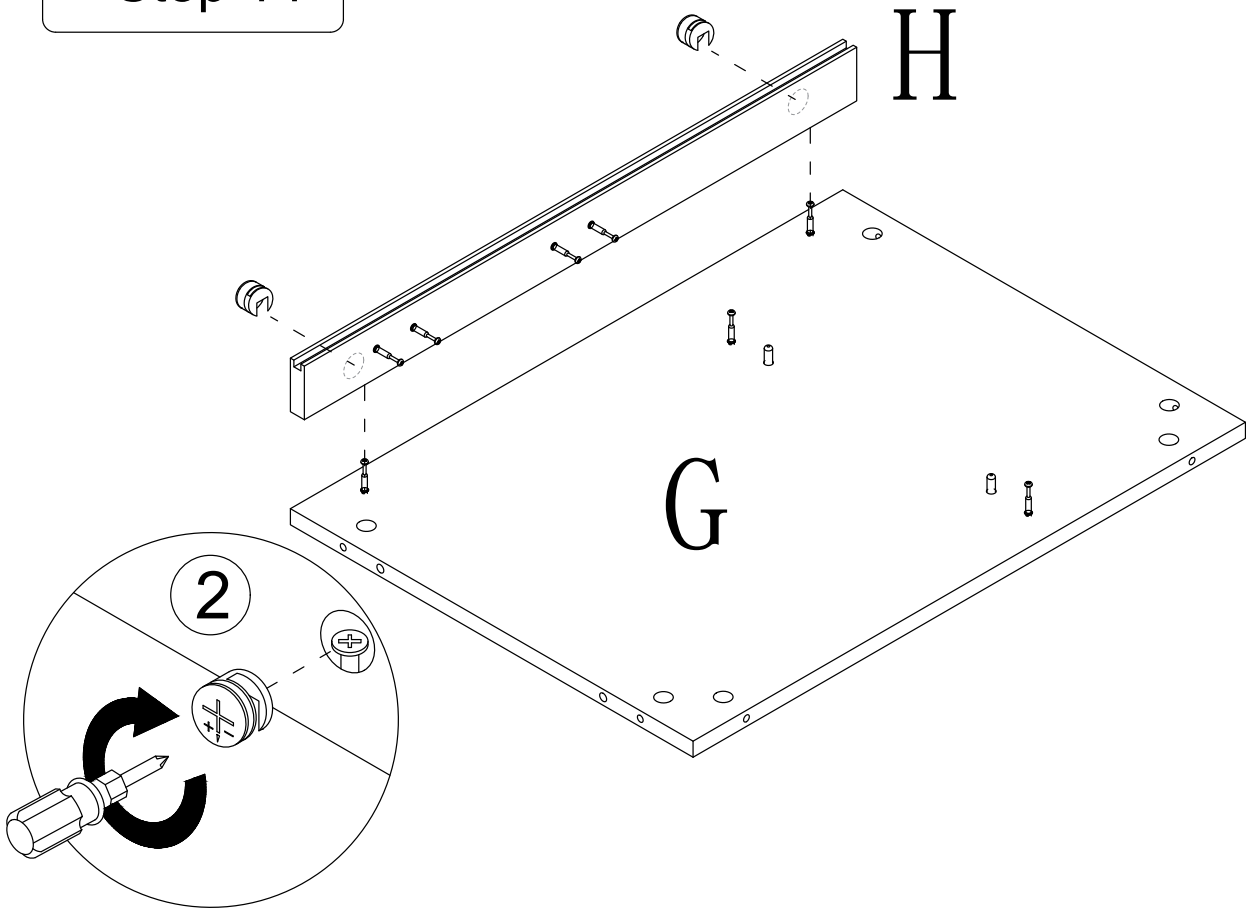


Step 13




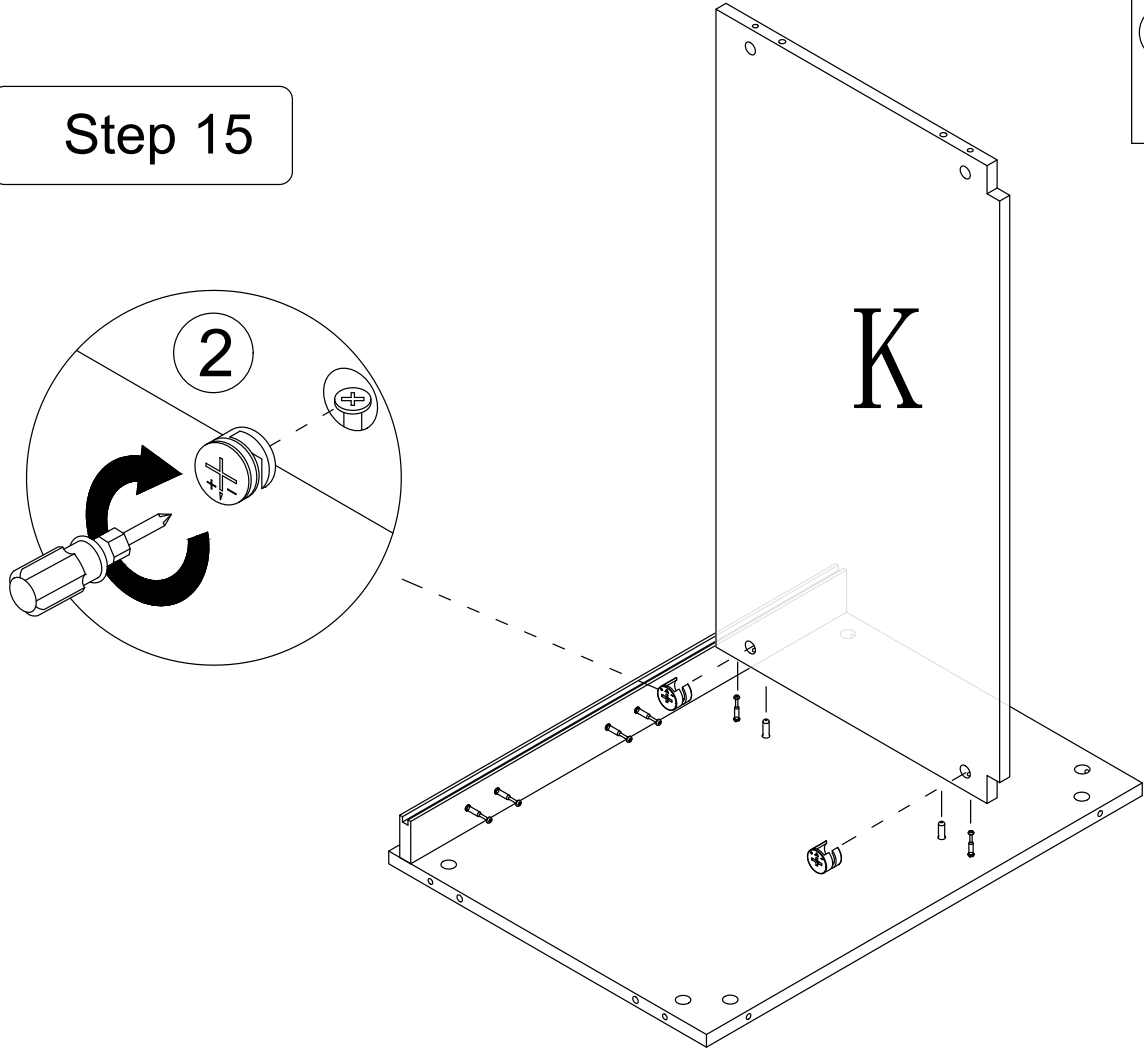
Step 14

2  x2



Step 15

2  x2

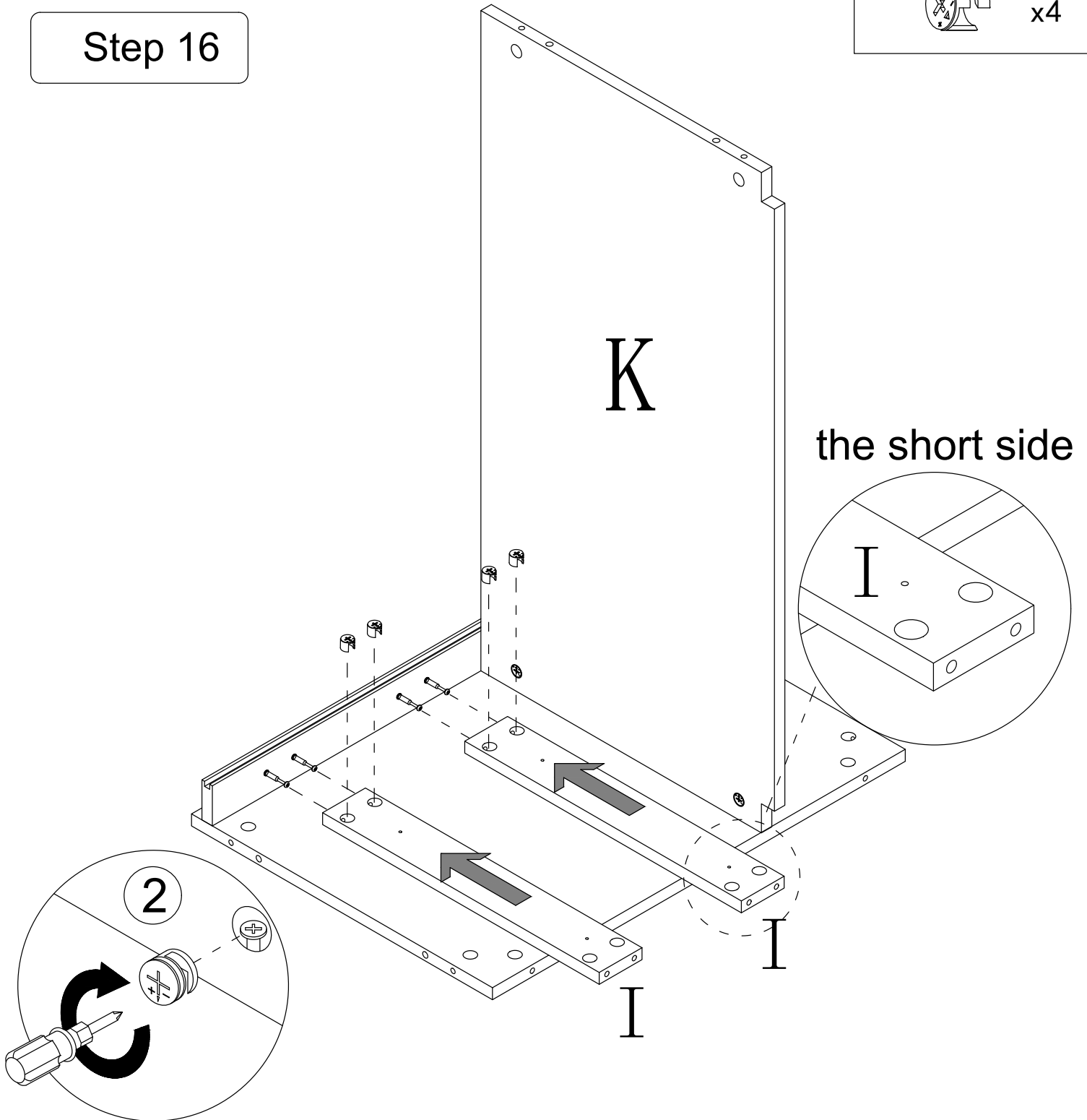


Step 16

2

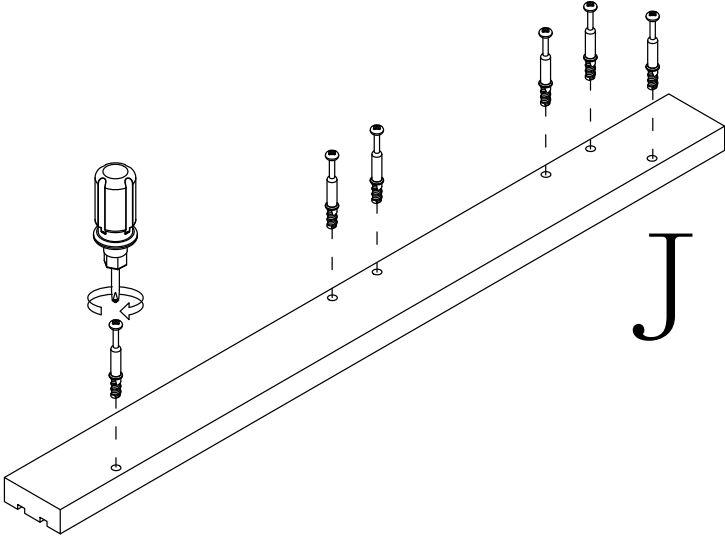
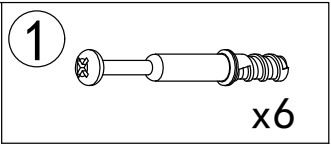


x4

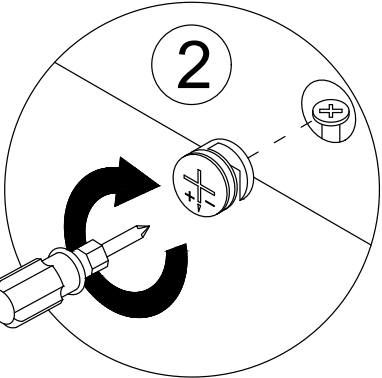
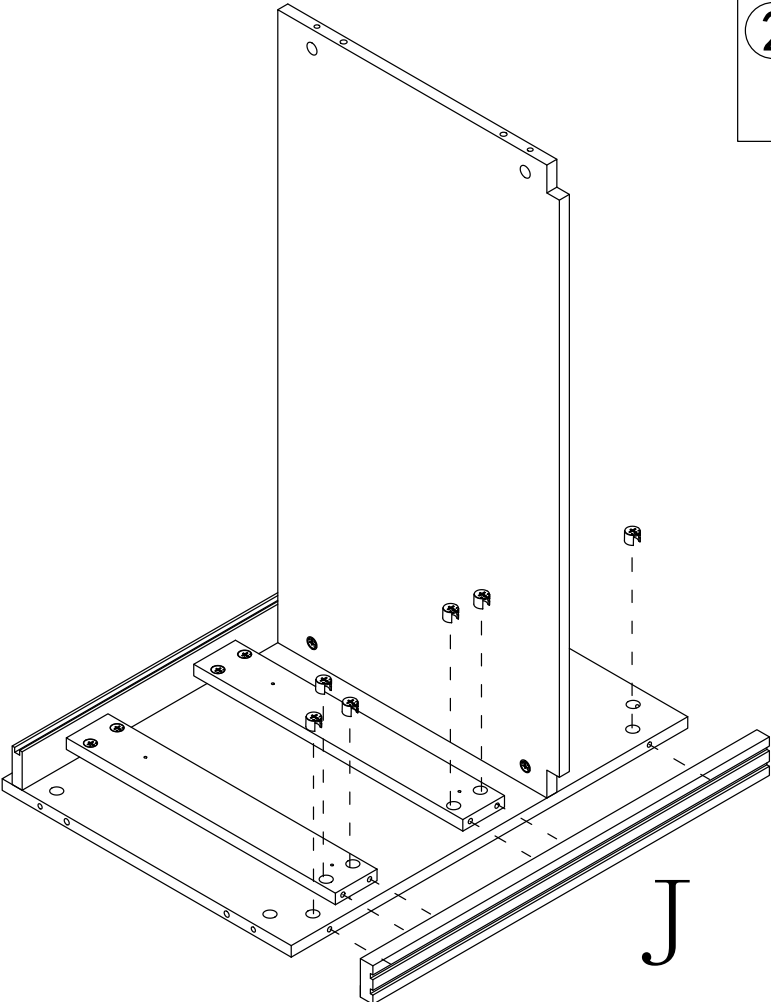
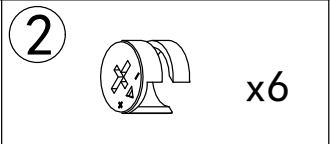


Note: When installing the rails, ensure the short side of the guide holes faces outward.

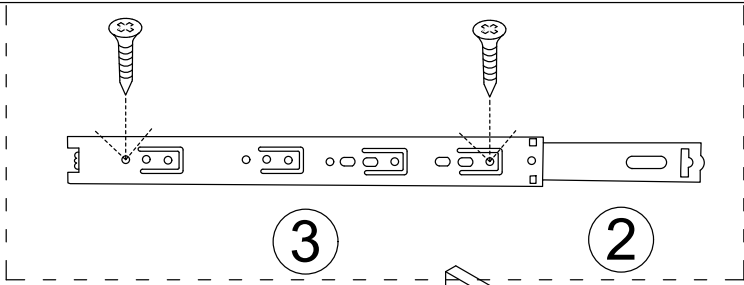
Step 17



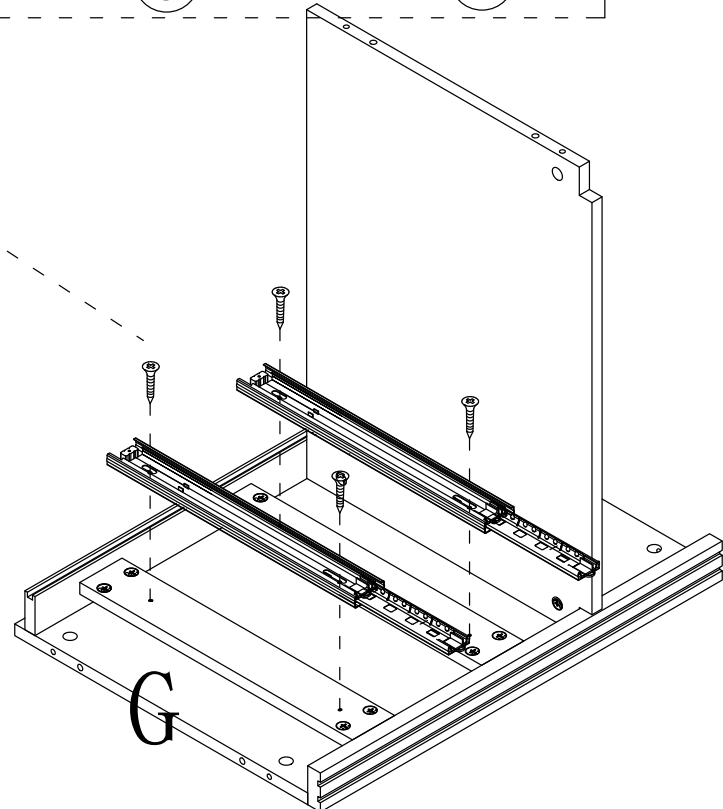
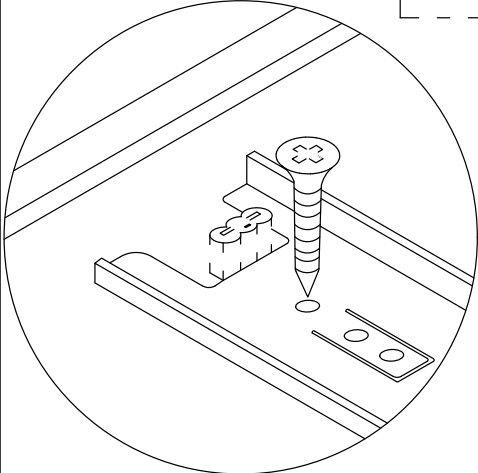
Step 18



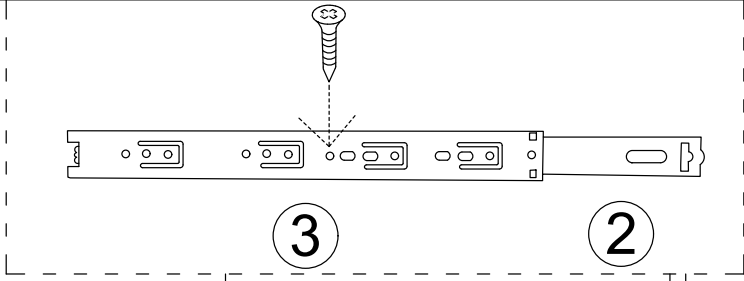
Step 19



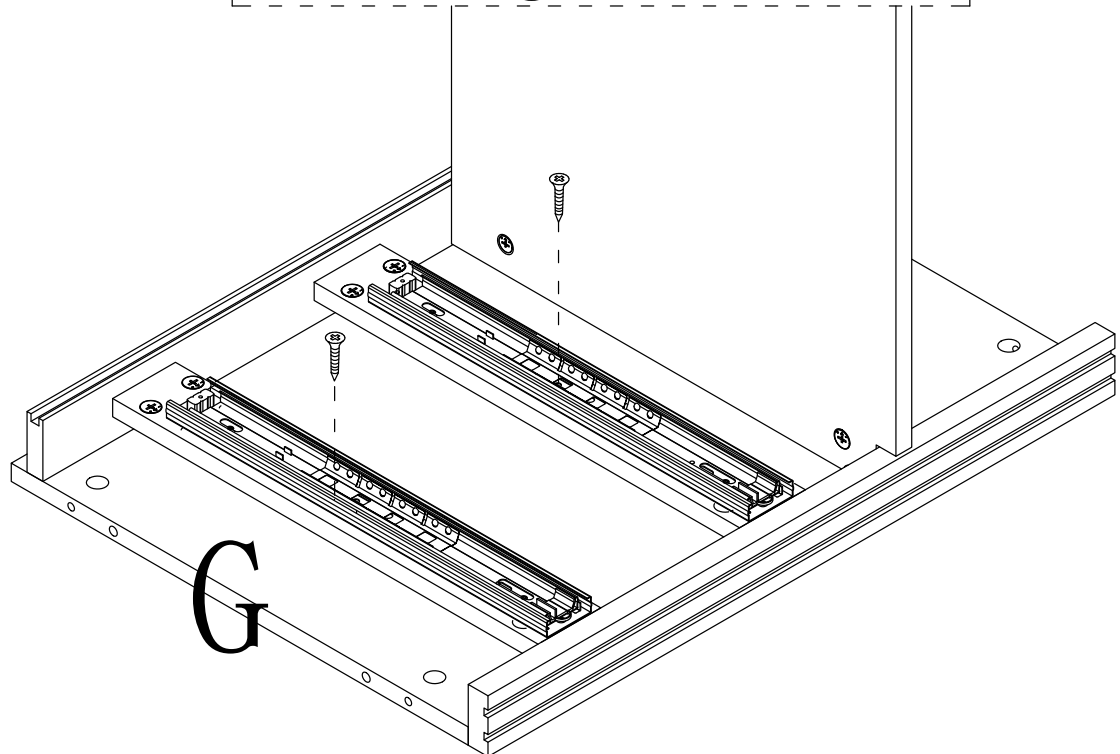
- 5 x2
- x4



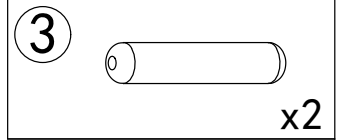
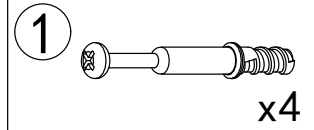
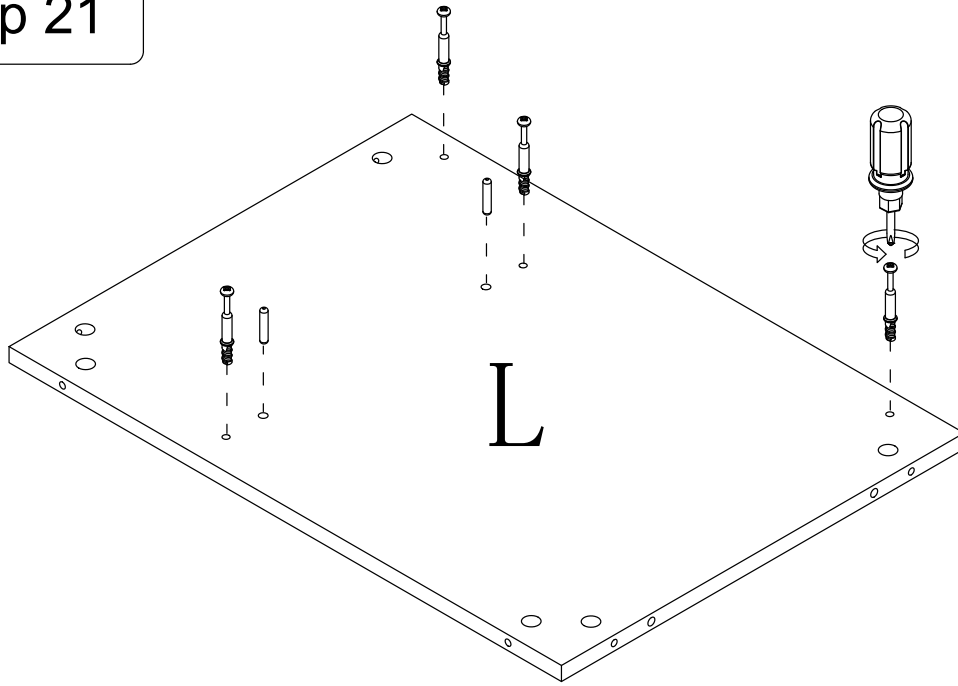
Step 20



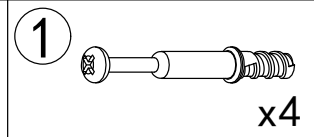
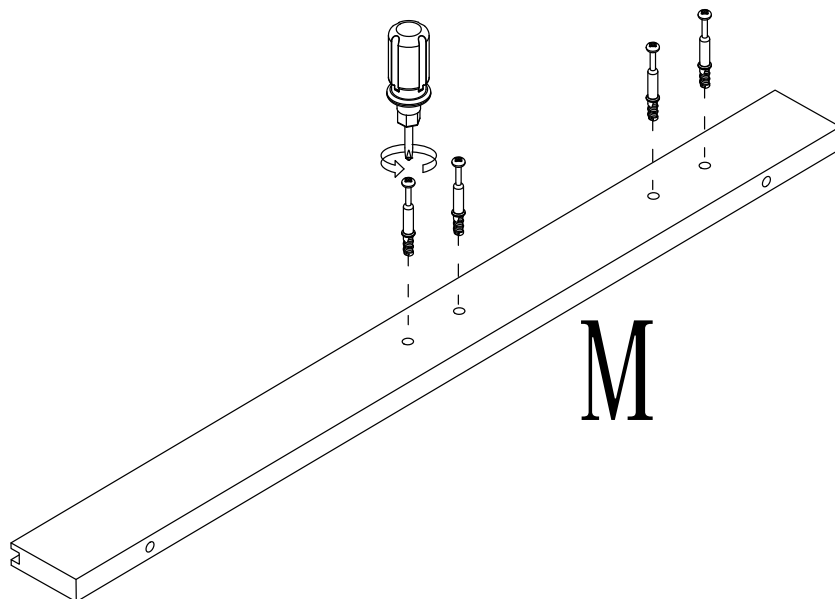
- 5 x2




Step 21

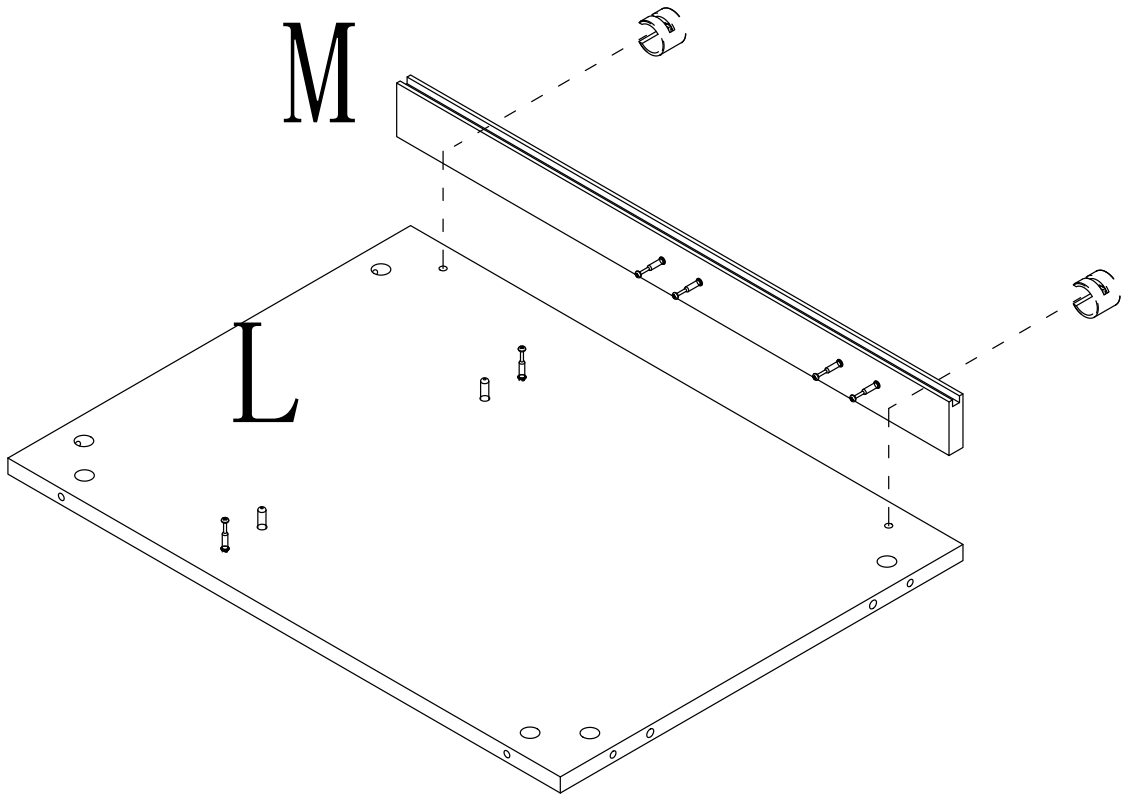


Step 22




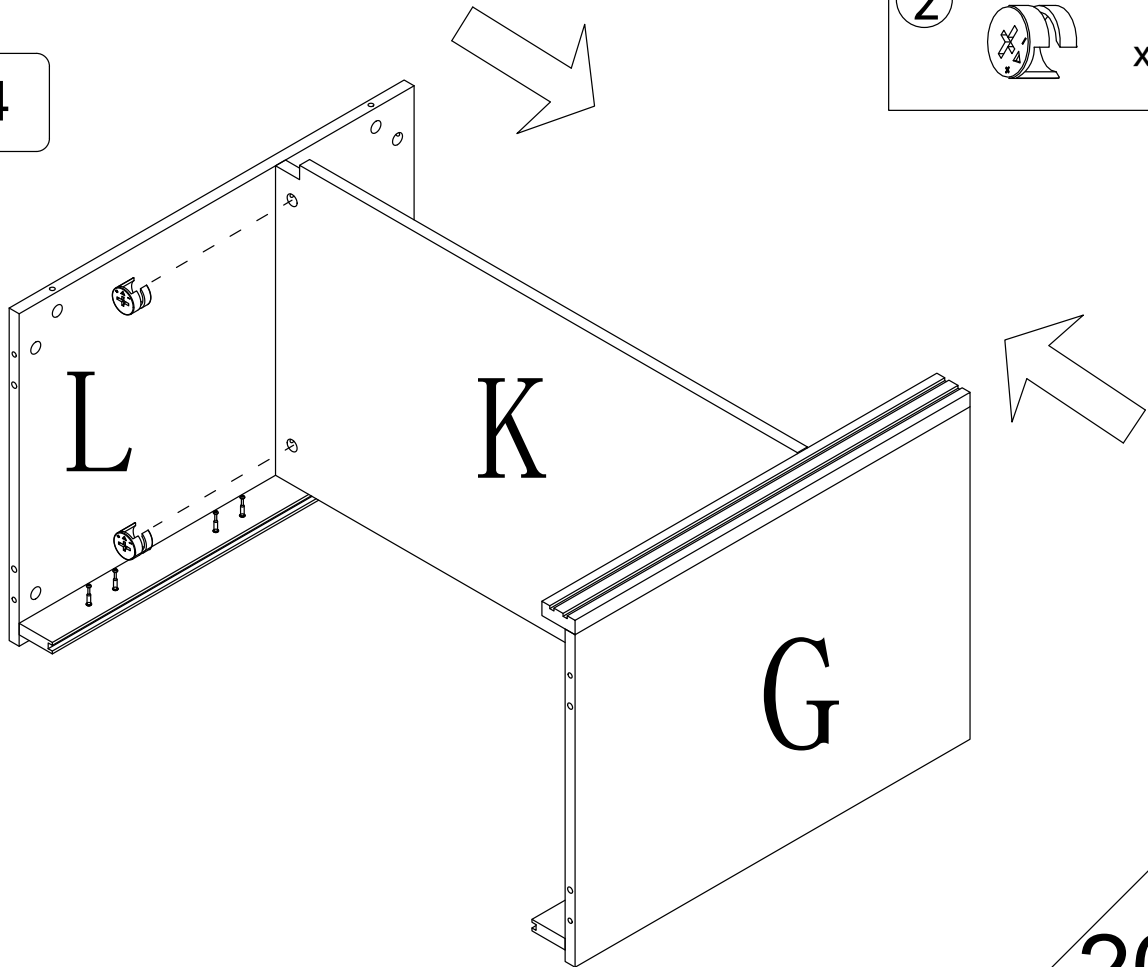
Step 23

2  x2

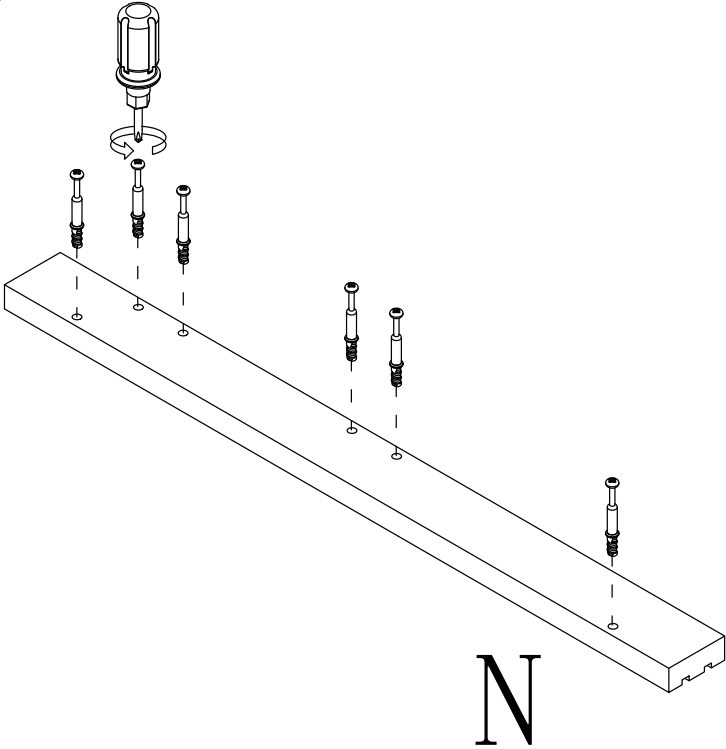
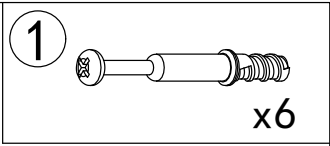


Step 24

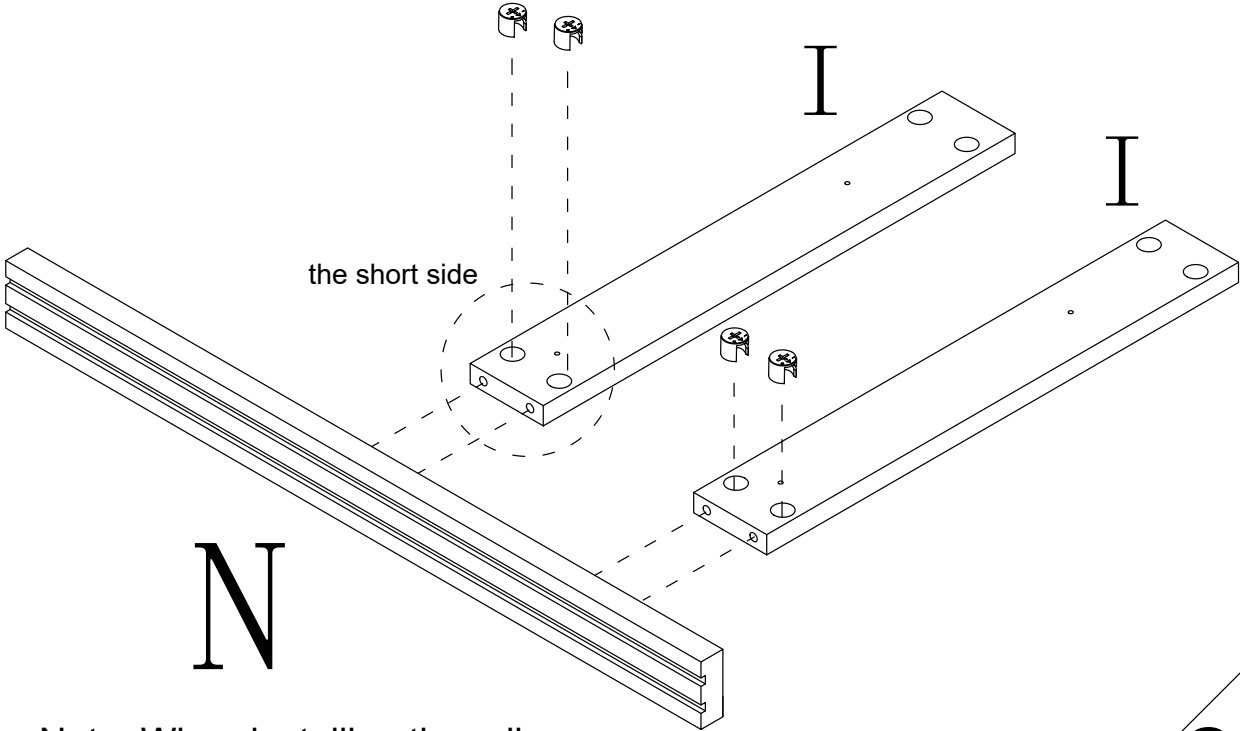
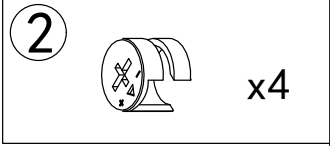
2  x2



Step 25

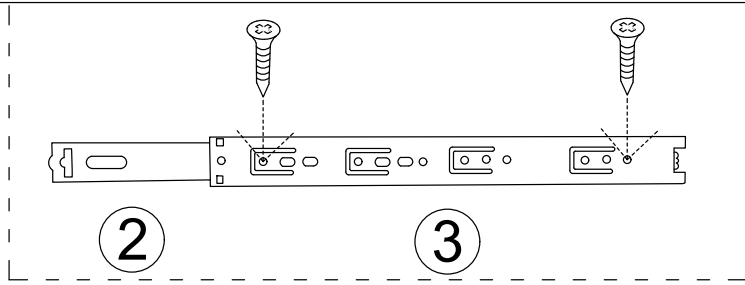


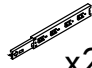

Step 26

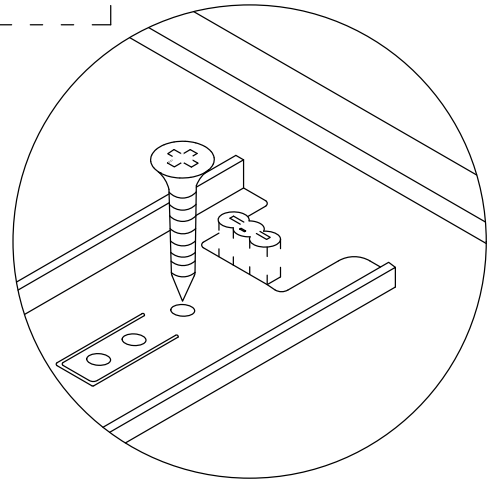
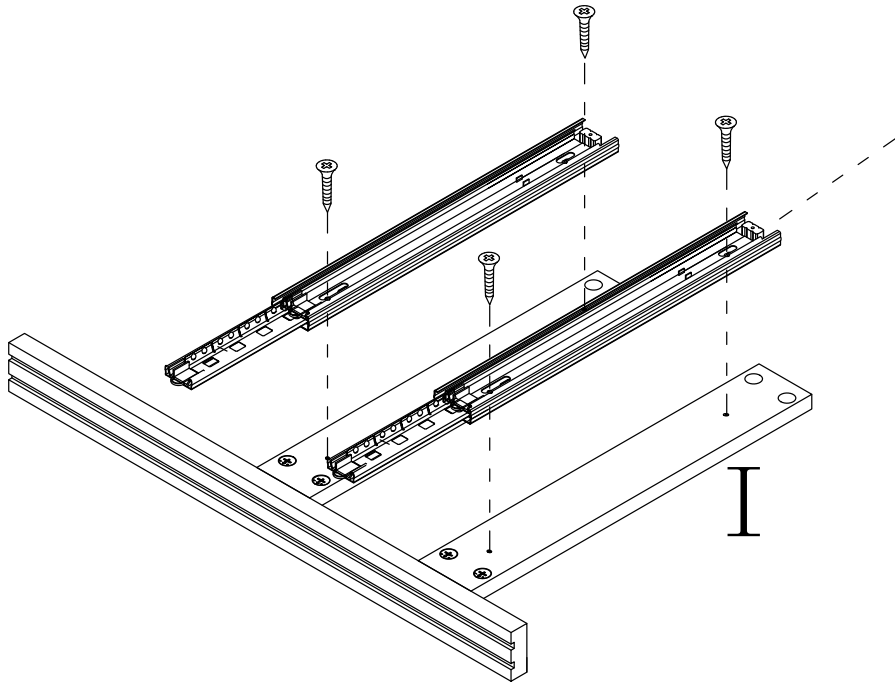


Note: When installing the rails, ensure the short side of the guide holes faces outward.

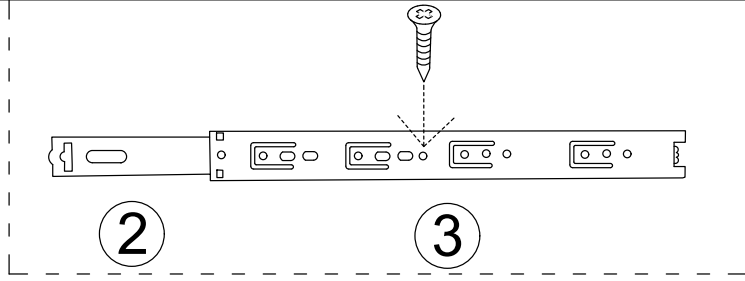
Step 27

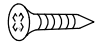


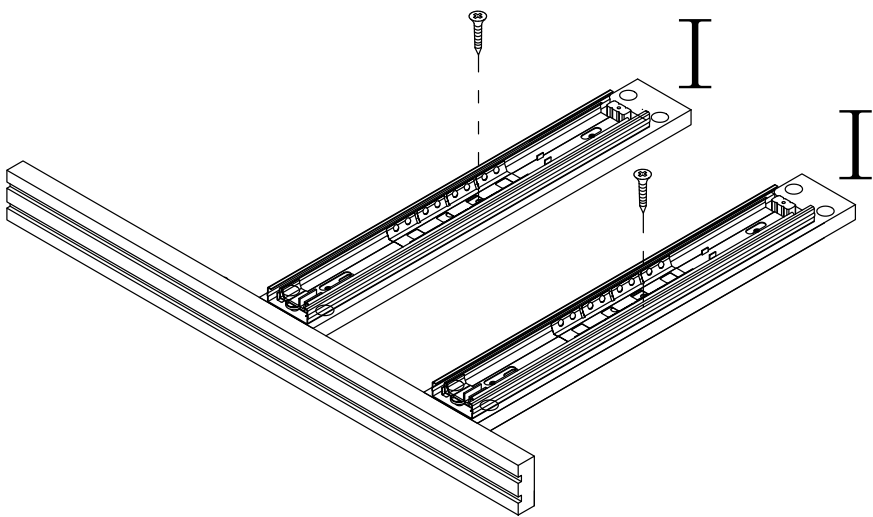
- 5  x2
- 5  x4




Step 28

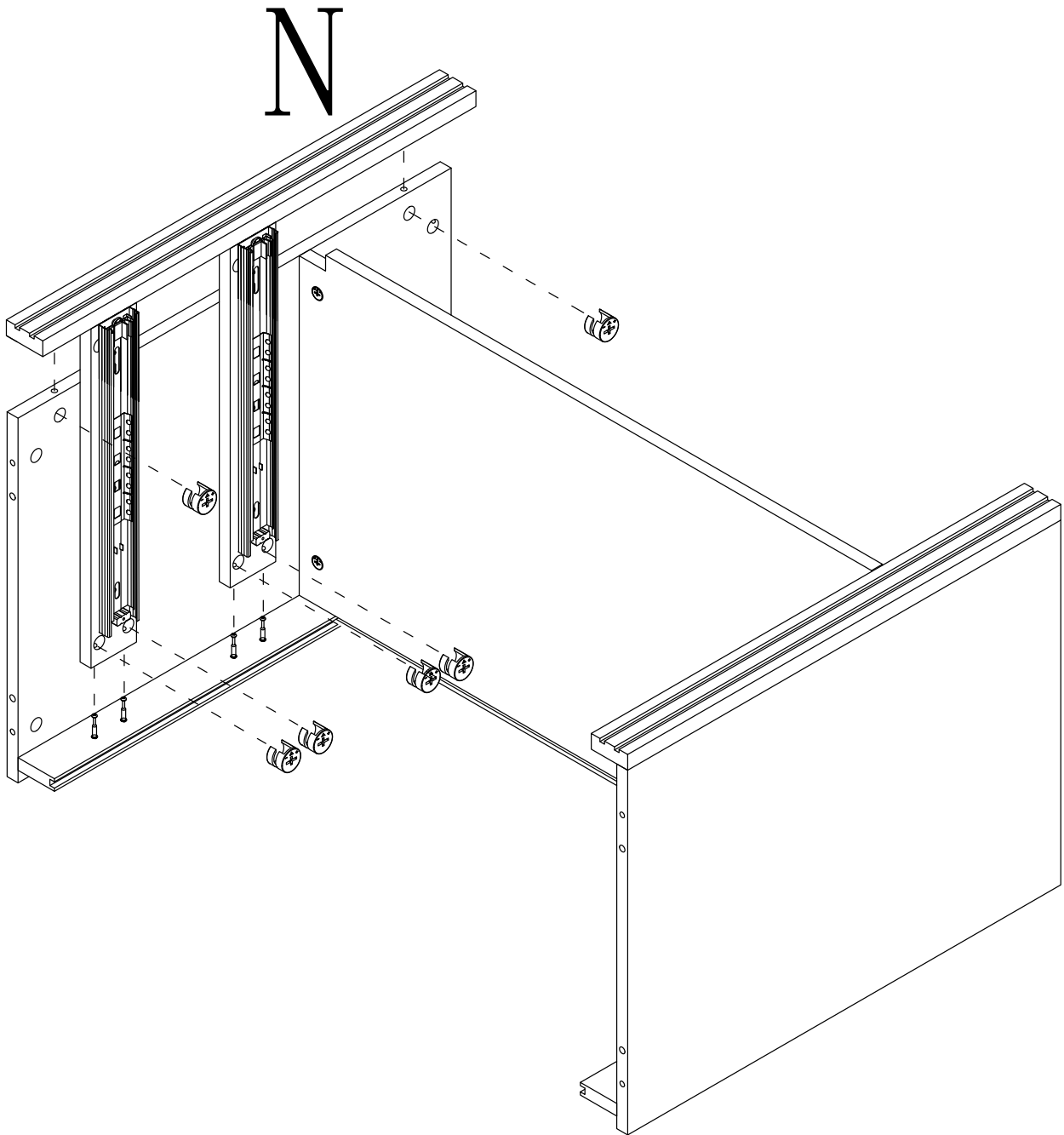


- 5  x2

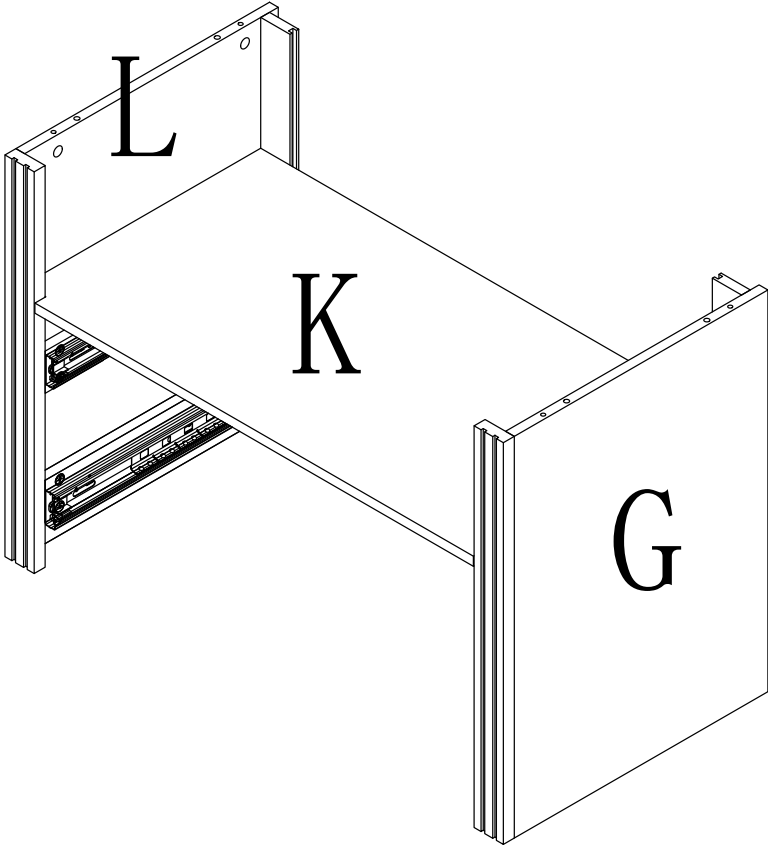
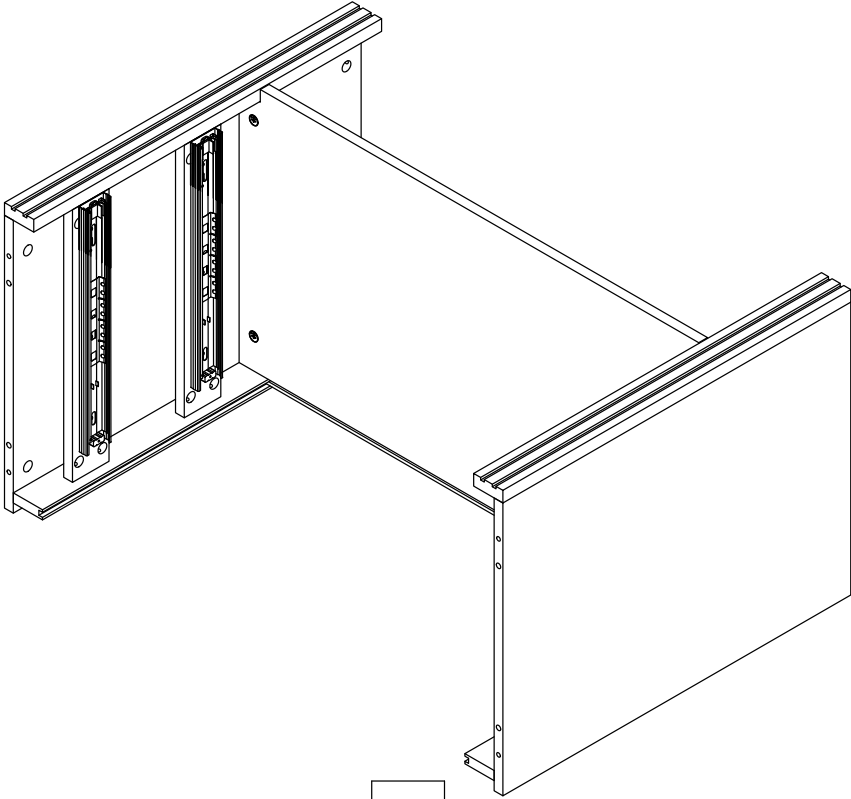


Step 29


2  x6

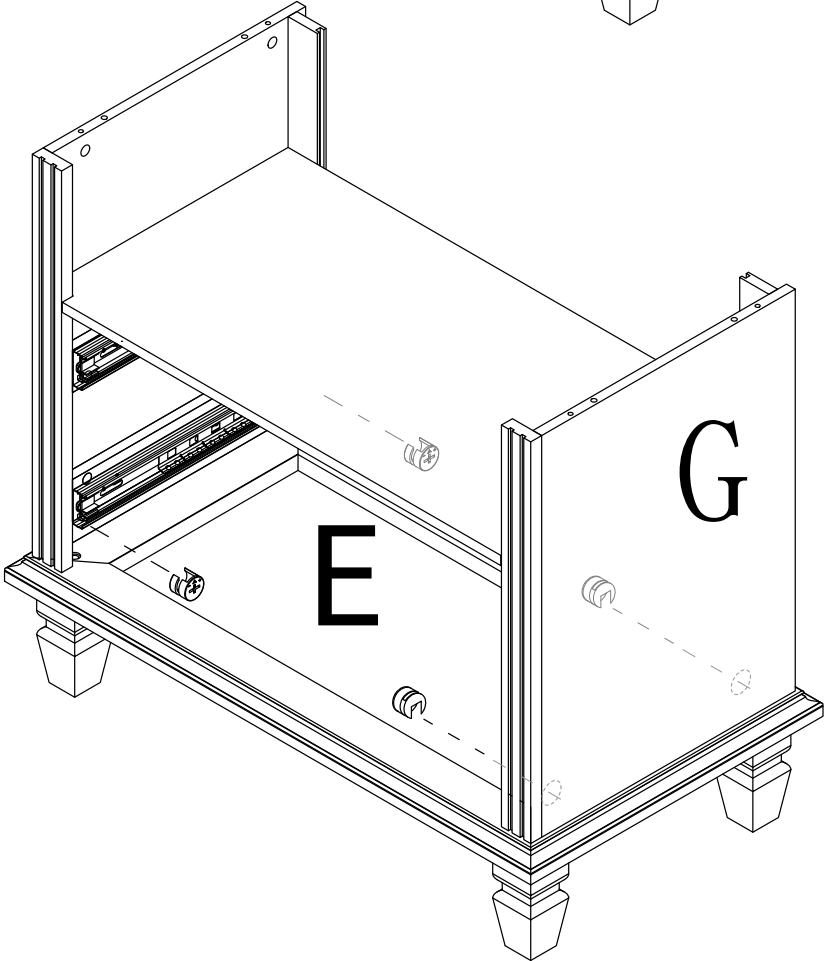
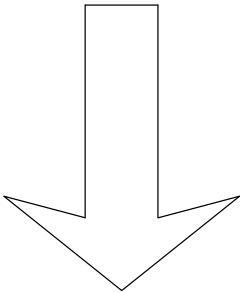
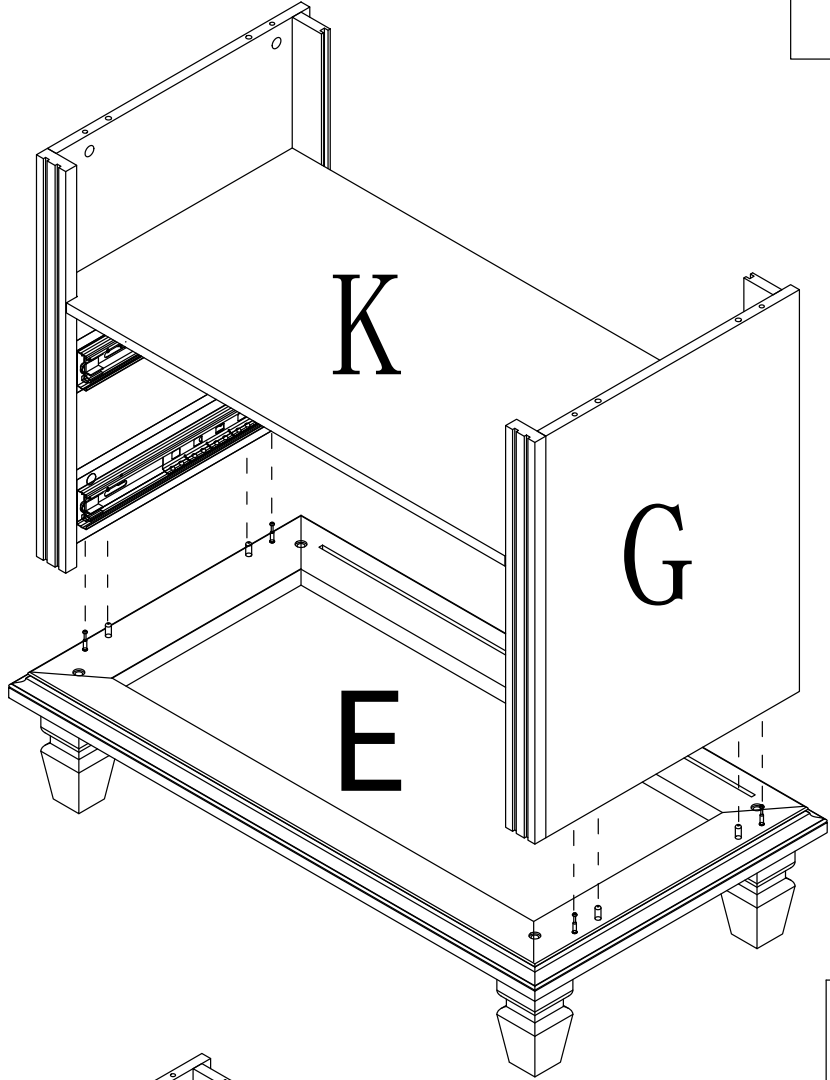


Step 30

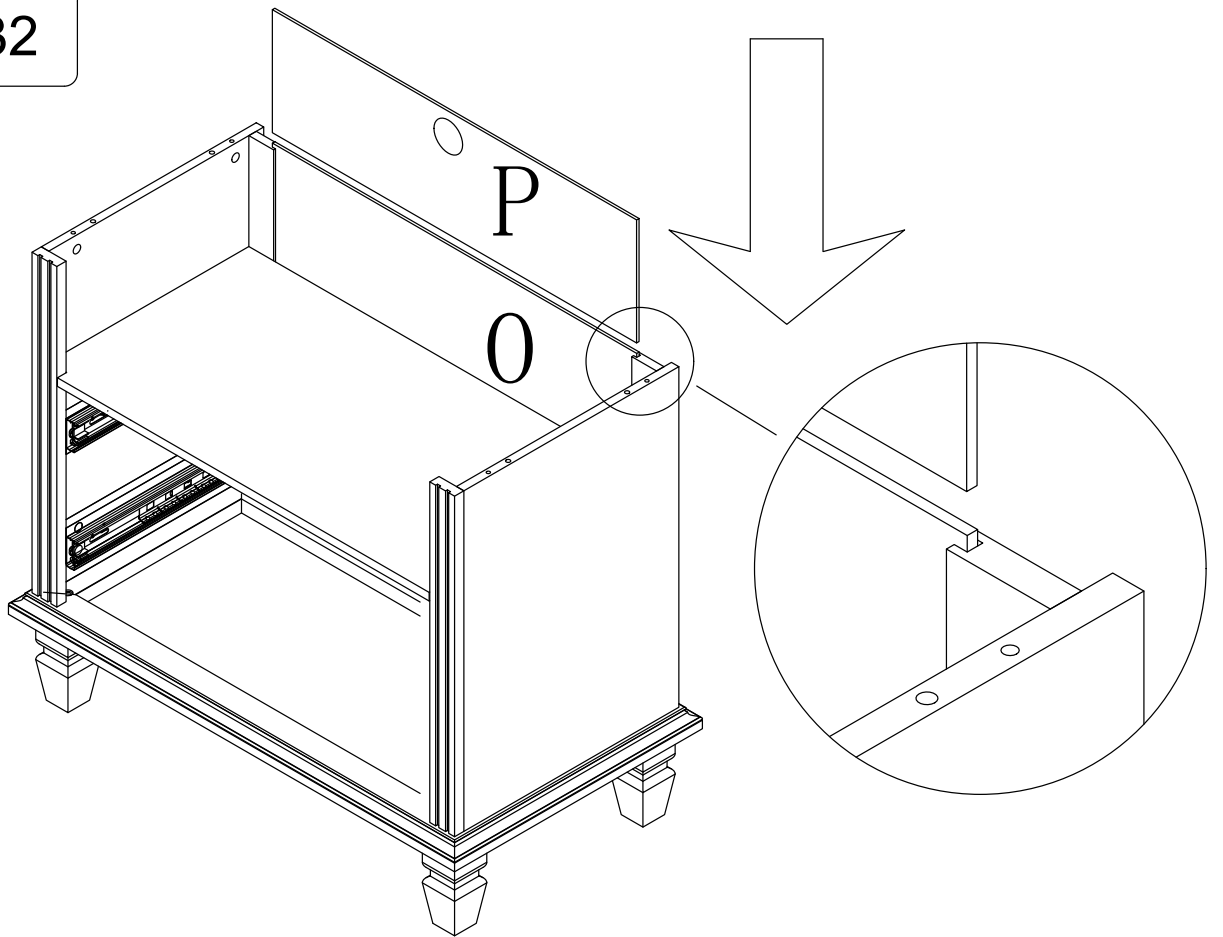


Step 31

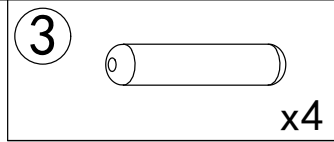
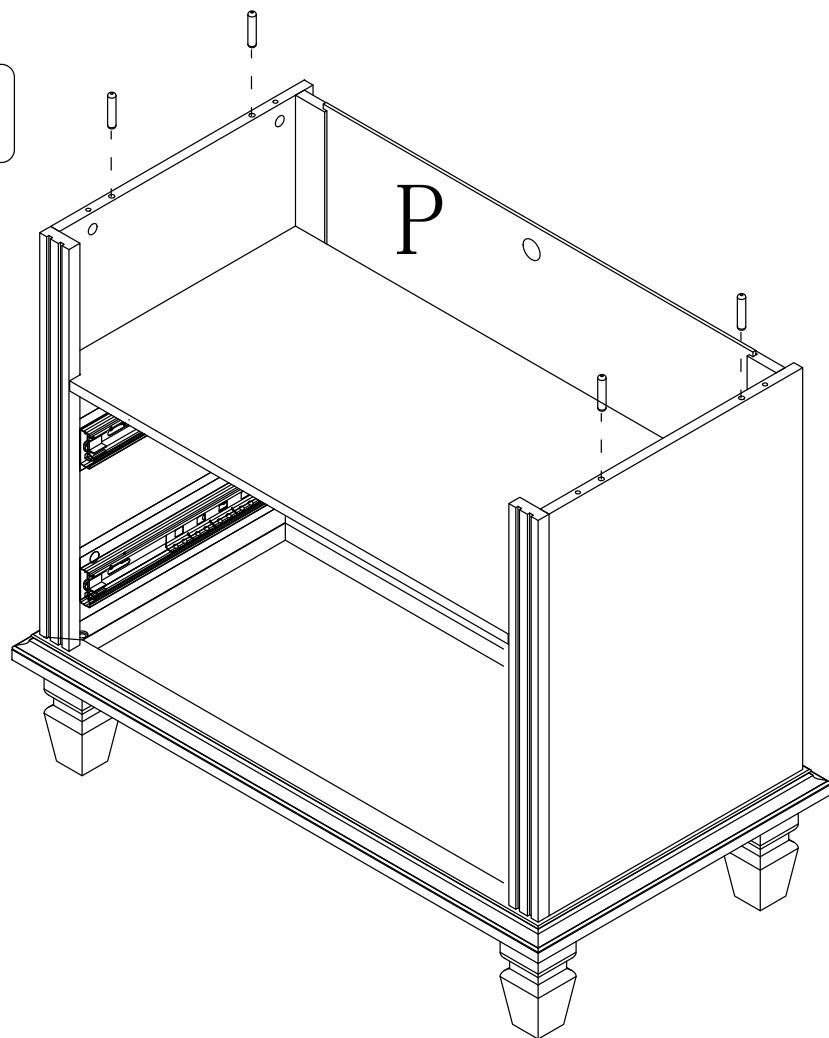
2  x4



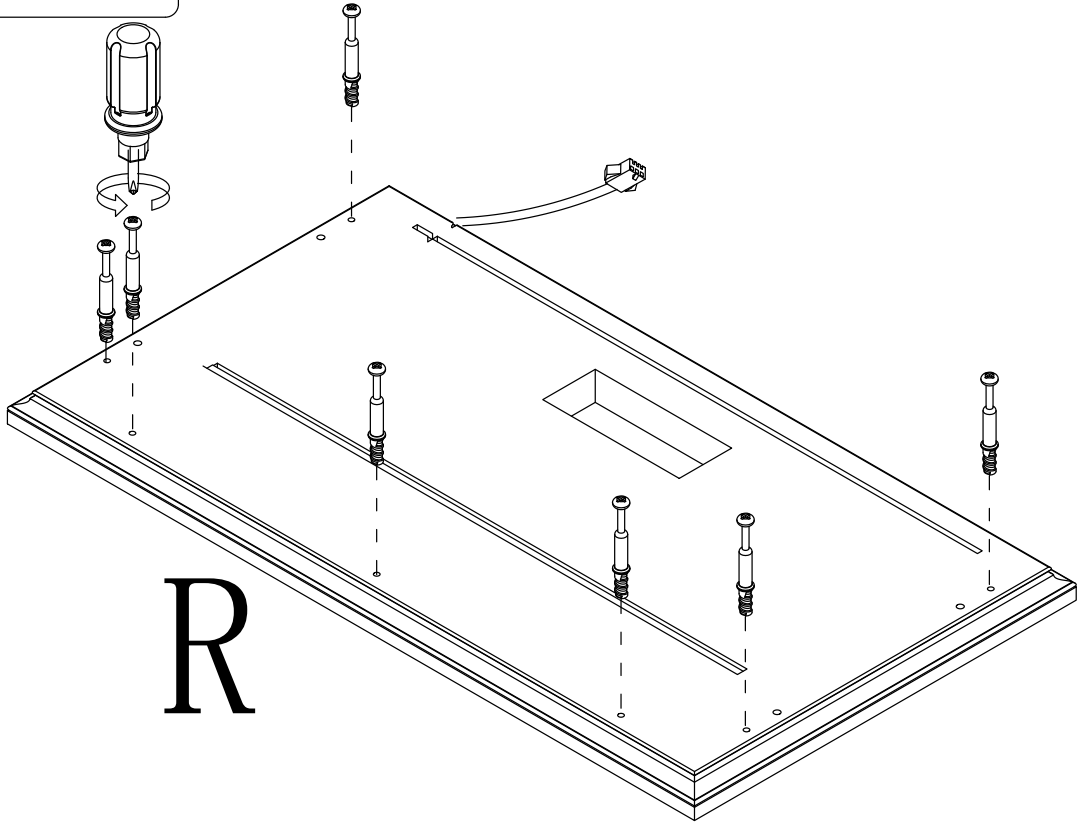
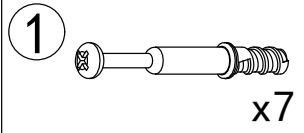
Step 32



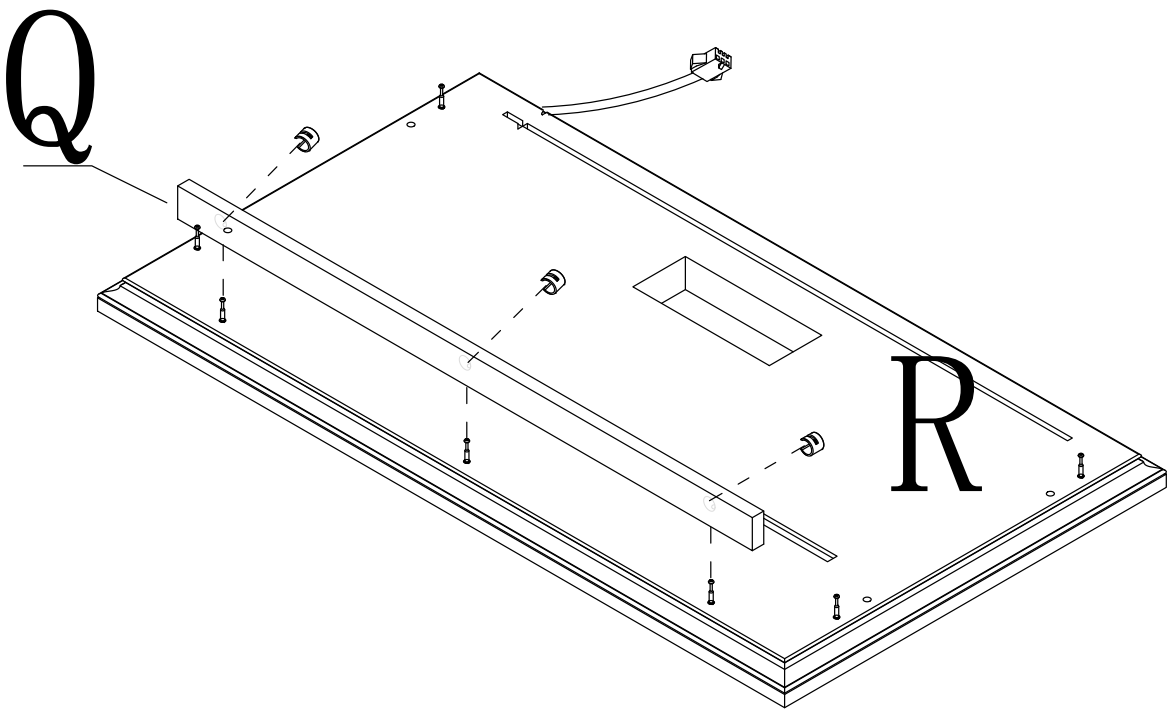
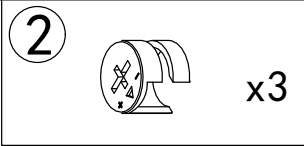
Step 33




Step 34

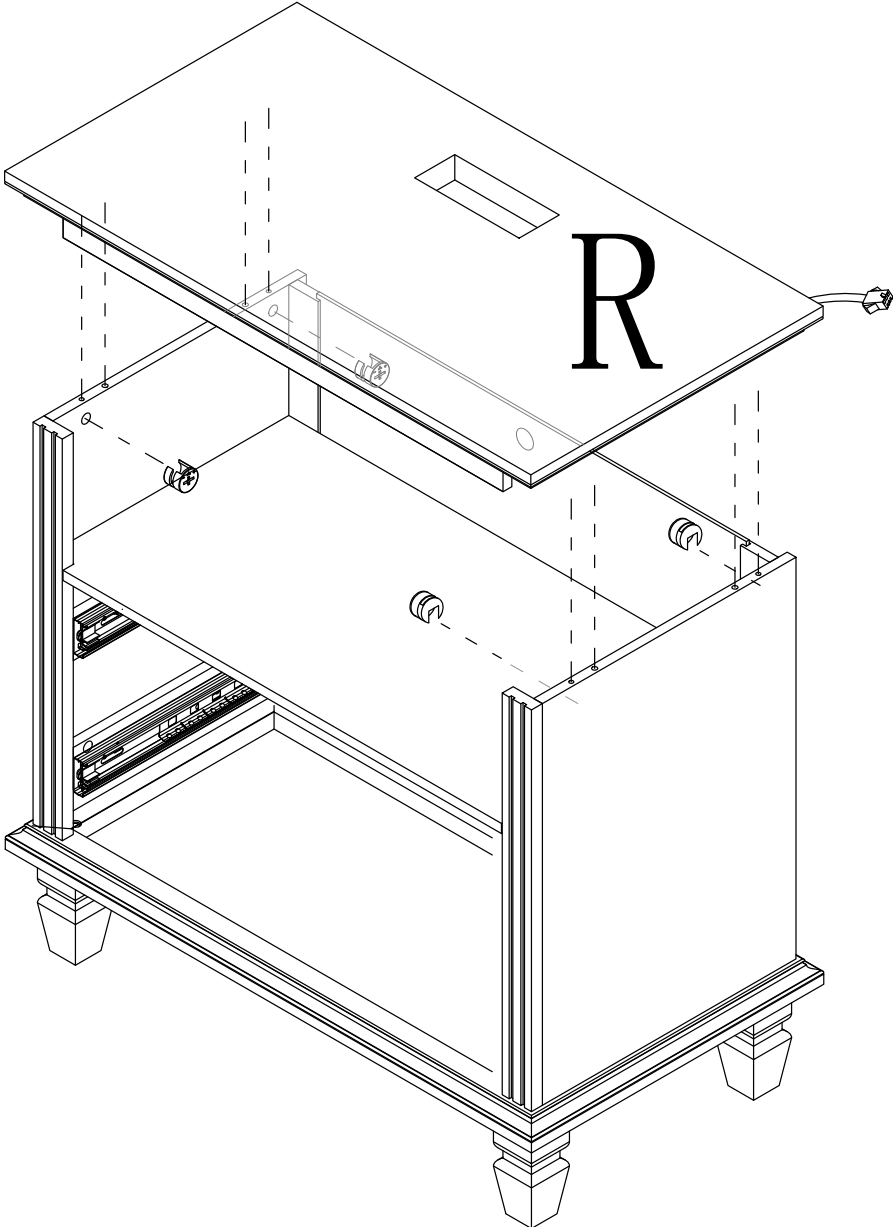


Step 35



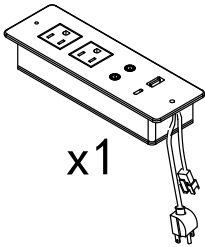
Step 36

2  x4

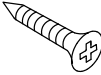


Step 37

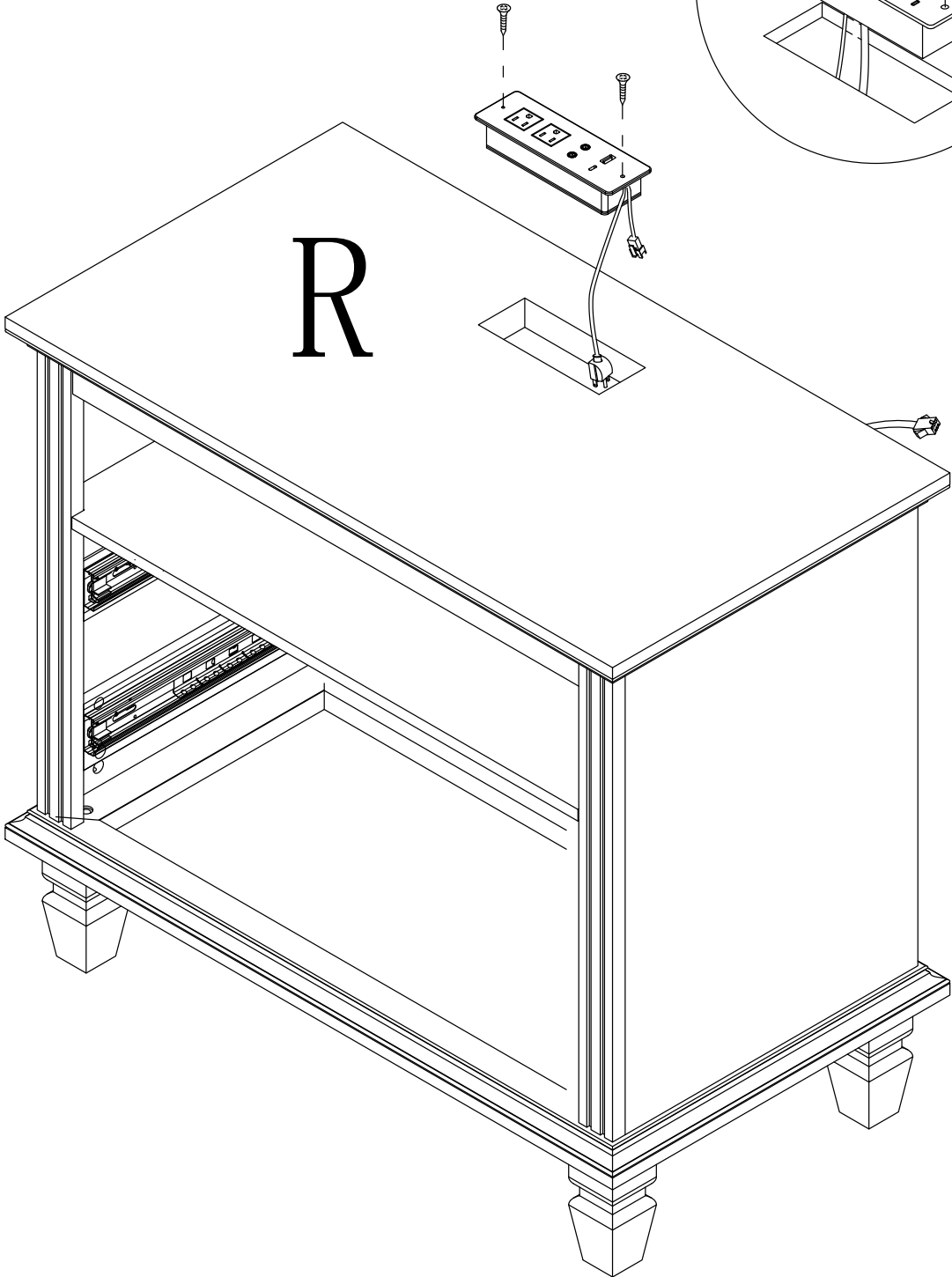
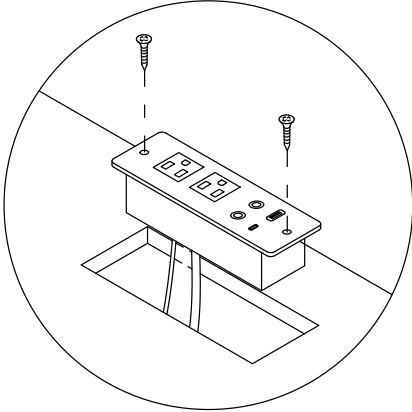
8



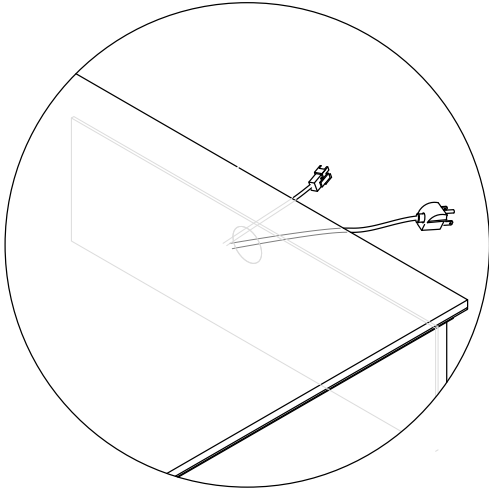
x1



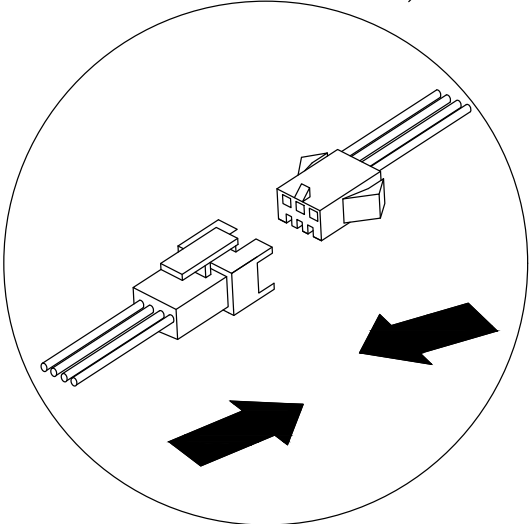
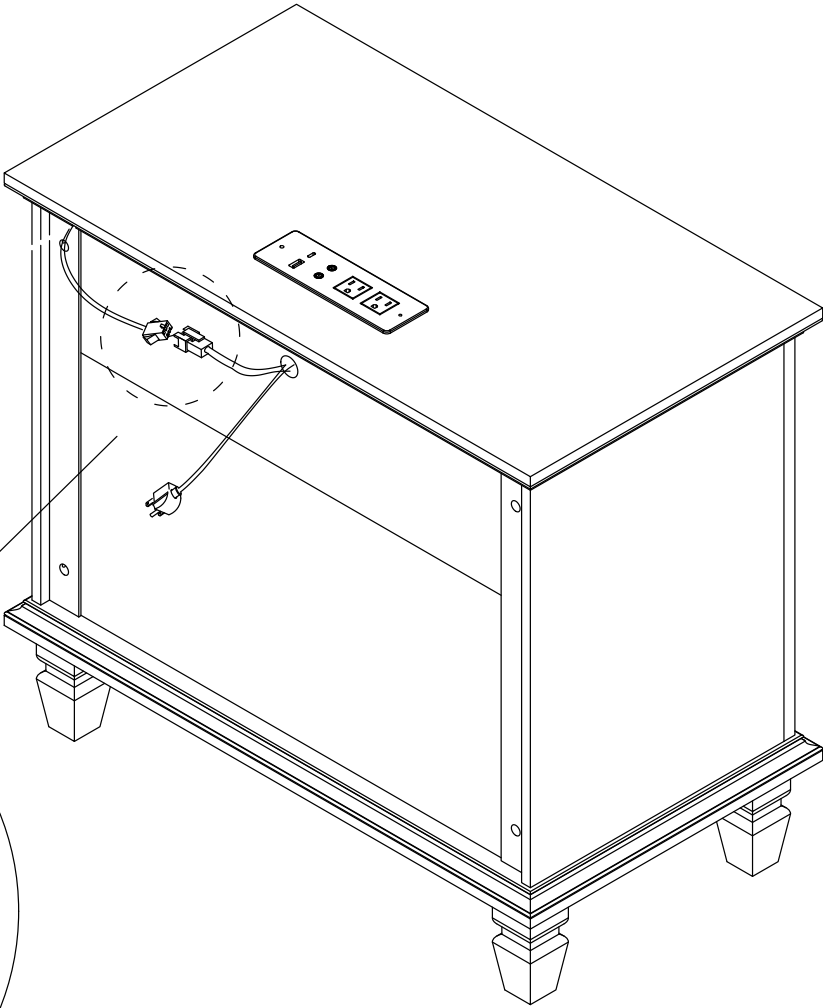
x2



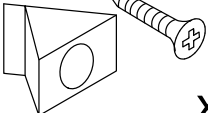
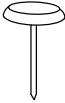
Step 38

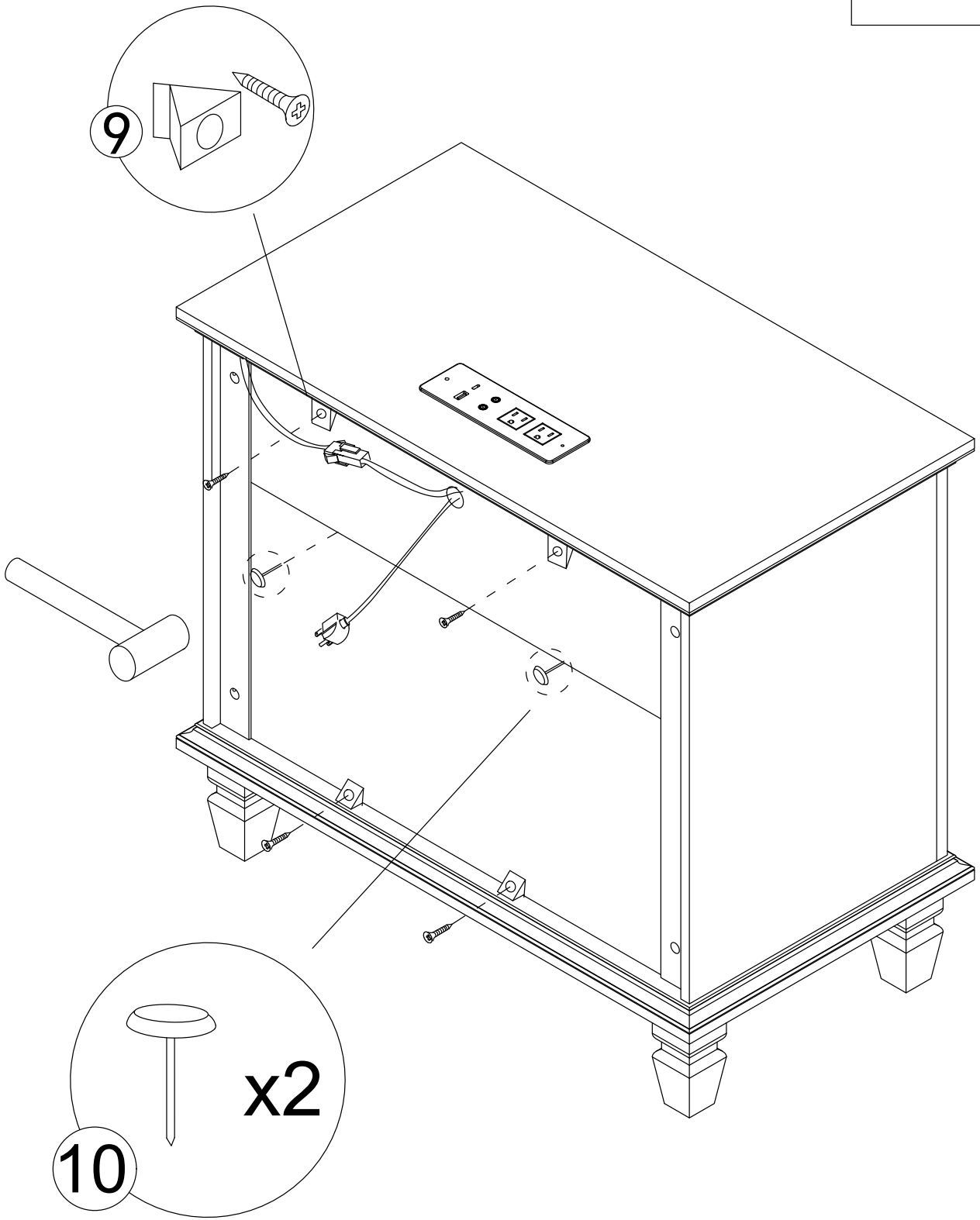


Thread the lamp power cord through the hole

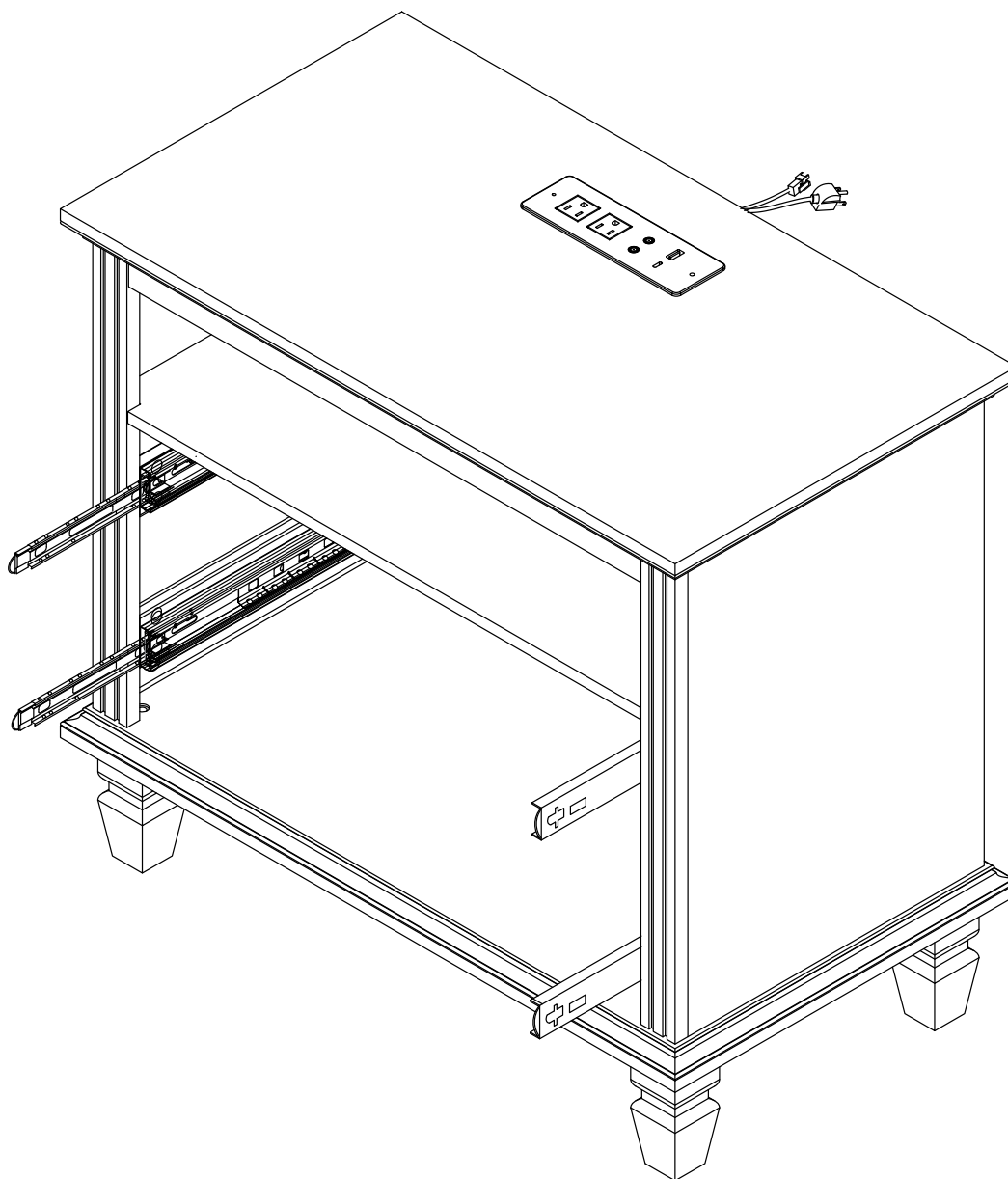


Step 39

- 9  x4
- 10  x2

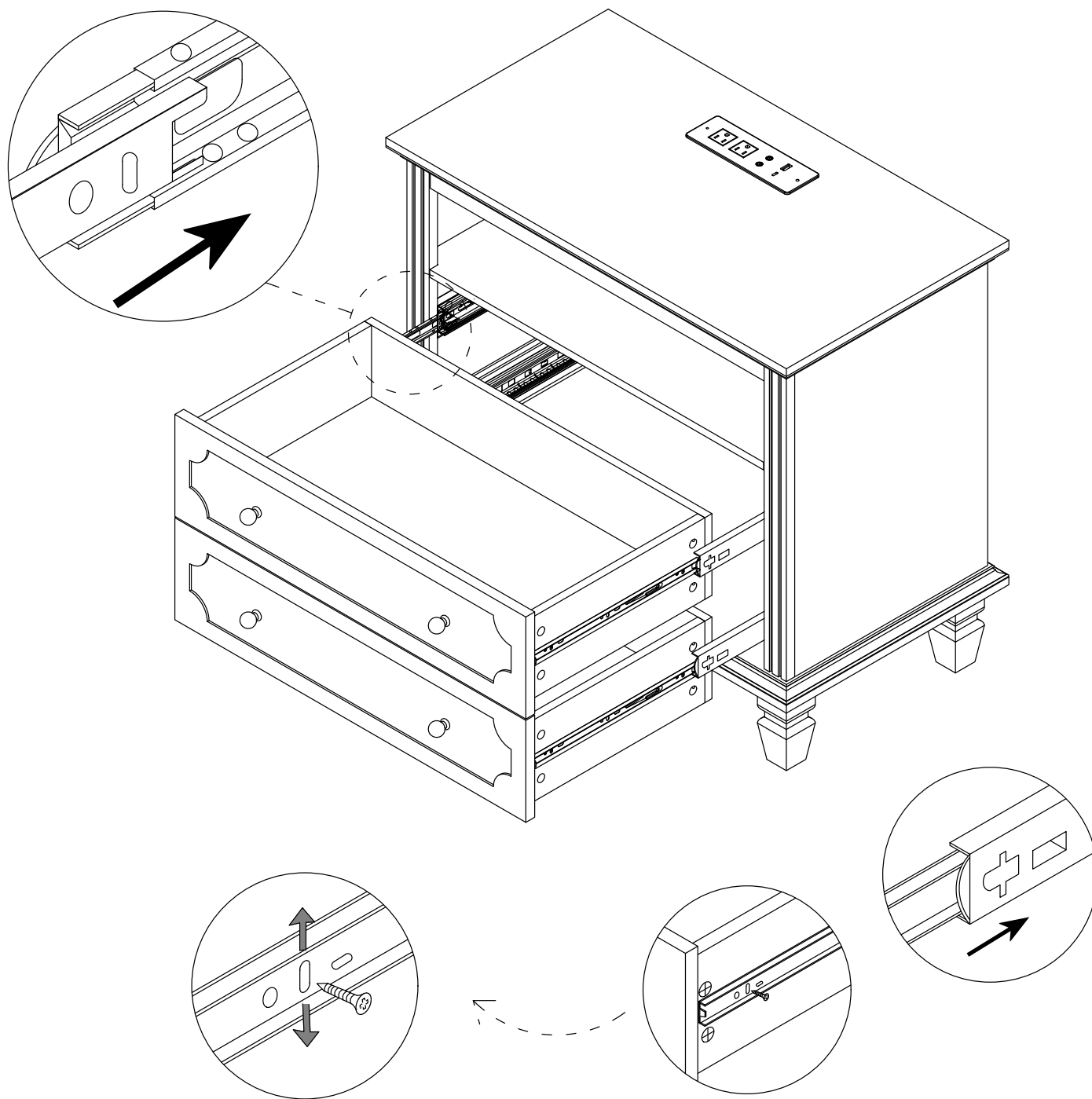


Step 40



As shown, When installing the drawer,
pull the guide rail out first, Slide beads are also pulled out.

Step 41



If a large gap is found after installing the drawer the slide rail can be moved up and down to adjust the gap

Step 42



User's Guide

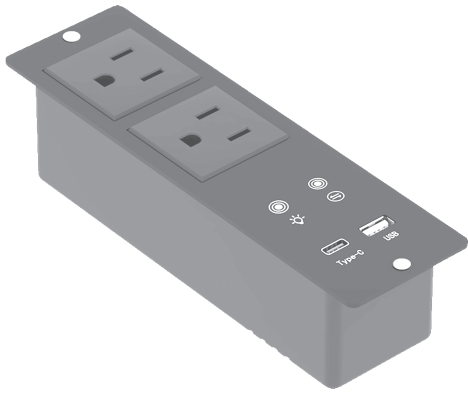
Thank you for purchasing this product.

To use this product, please connect it to a power source.

Please use if the product works normally after connecting to power.

Introduction

The box is an intelligent controller. It has 1 USB output port 1 Type-c port and can distribute the current output up to 5V DC-2A. With 2 touch buttons, it can turn. ON/OFF the light, change light colors, and adjust the light luminance.



Operation



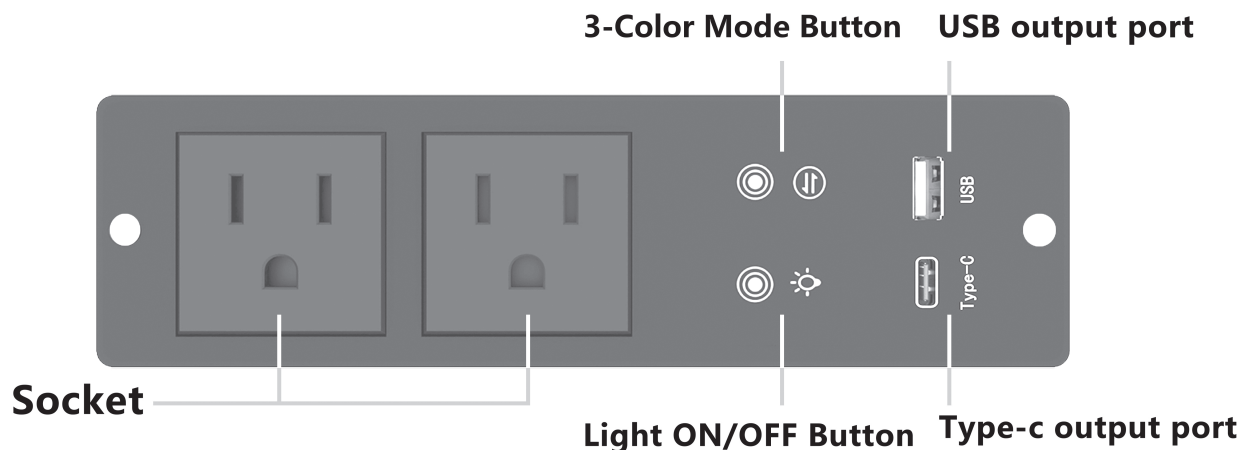
This touch button controls the on/off of the light

Short touch -> lighting on -> short touch -> lighting off.



This touch button controls the color switching and brightness adjustment of the light

1. It can only be used when the light is on
2. Offering 3 different colors to choose from. Simply tap to cycle through the options.
3. Long touch -> adjust the luminance.



ATTENTION PLEASE

1. If there is no touch response suddenly, Re-plug the power to reset the touch static electricity.
2. If you have any questions when installing, please feel free to contact us. Thank you.