

**16835-W**



***Call Us First!***  
***DO NOT RETURN TO STORE.***

For questions on assembly or for general inquiries, you may contact us in the following ways:  
Call customer service: **1-877-743-3400**

## ***AVOID THE WAIT!***

visit us online at  
**help.backyardproducts.com**

- Submit a help request
- Answers to frequently asked questions
- Live chat with an agent



Did you enjoy building your shed?

**JOIN OUR TEAM**  
AND MAKE UP TO \$1,500/WEEK\*

***Call a Recruiter Today! 734-365-7000***



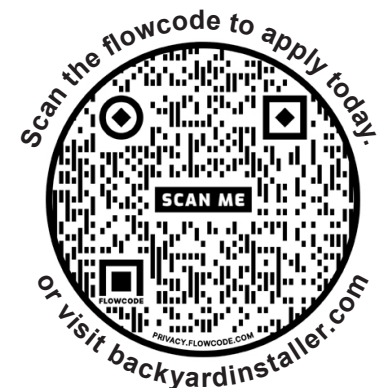
Flexible schedule



No selling,  
just building



Bonus incentives  
available



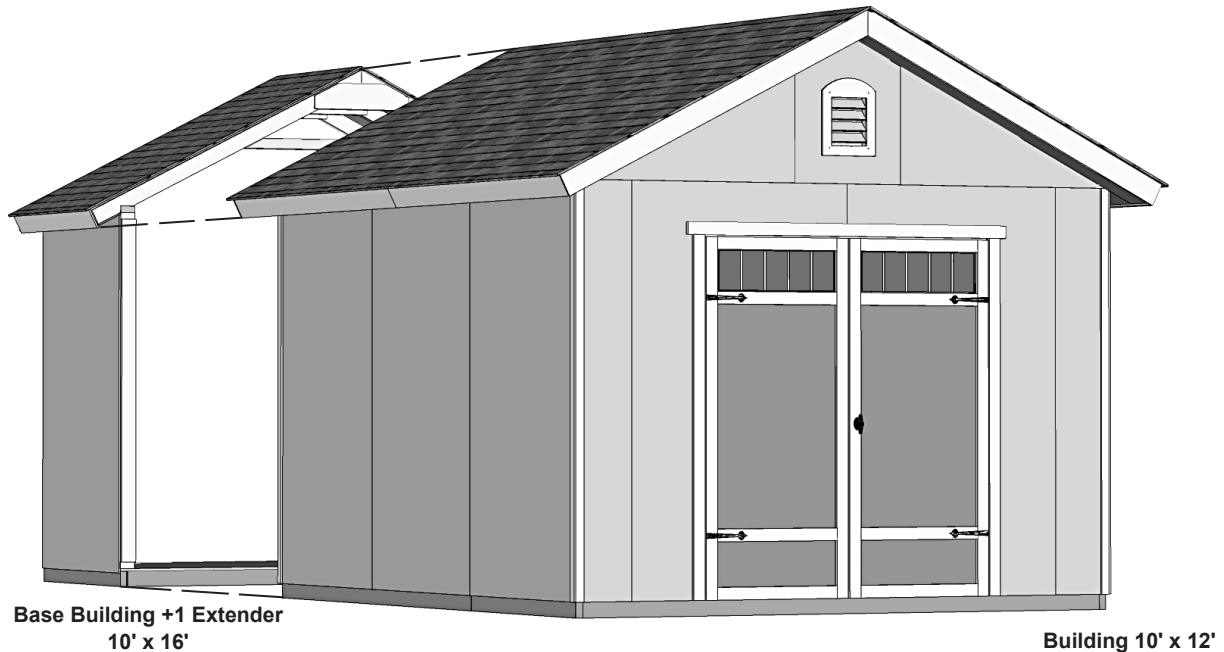
\*based on number of completed installations

# ASSEMBLY MANUAL

## GABLE 10' x 12' (304,8 x 365,8 cm)

	BUILDING SIZE	ACTUAL FLOOR SIZE
BASE MODEL	10' x 12' (304,8 x 365,8 cm)	10' x 12' (304,8 x 365,8 cm)
ADD 10' x 4'	10' x 16' (304,8 x 487,7 cm)	10' x 16' (304,8 x 487,7 cm)

KEEP THIS MANUAL FOR FUTURE REFERENCE



**IMPORTANT!**



READ INSTRUCTIONS THOROUGHLY PRIOR TO BEGINNING ASSEMBLY.

### BEFORE YOU BEGIN

#### • BUILDING RESTRICTIONS AND APPROVALS

Be sure to check local building department and homeowners association for specific restrictions and/ or requirements before building.

#### • ENGINEERED DRAWINGS

Contact our Customer Service Team if engineered drawings are needed to pull local permits.

#### • SURFACE PREPARATION

To ensure proper assembly you must build your shed on a level surface.

Recommended methods and materials to level your shed are listed on page 10.

#### • CHECK ALL PARTS

Inventory all parts listed on pages 5-8.

#### • ADDITIONAL MATERIALS

You will need additional materials to complete your shed. See pages 3-4 for required and optional materials and quantities.



**\*\*\*CONTACT OUR CUSTOMER SERVICE TEAM  
IF ANY PARTS ARE MISSING OR DAMAGED\*\*\***







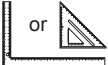










**- Order form and warranty at back of manual -**

**Call: 1-877-743-3400 email: [customerservice@backyardproductsllc.com](mailto:customerservice@backyardproductsllc.com)**






# TOOLS

## Required

- Phillips Screwdriver 
- Drill / Driver 
  - 1/8" Drill Bit
  - 1/4" Drill Bit
  - 5/16" Drill Bit
  - 1/2" Drill Bit
  - #2 Philips Drive Bit
- Hammer 
- Level 
- Pencil 
- Tape Measure 
- Square  or 

- Utility Knife 
  - Shingle Blades 
- Caulk Gun 
- Paint Tools 
- Safety Glasses 
- Hand Saw 
- Ladder 

## Optional

- Tool Belt/ Nail Pouch 
- Tin Snips (for drip edge) 
- Chalk Line 
- Nail Gun 
  - gun nails
- Gloves 

Safety! Always use approved safety glasses during assembly.

## HELPFUL REMINDER SYMBOLS

Look for these symbols for helpful reminders throughout this manual.



= Assistance Required; two or more people.



= Ensure squareness.



= Important required step or operation.



= Helpful assembly hint.



= Mark part with pencil.



**BEGIN** = Beginning of steps for assembly or installation.



**FINISH** = You have finished the assembly or installation.

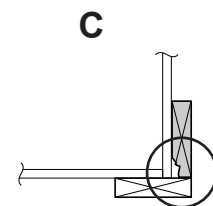
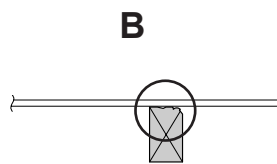
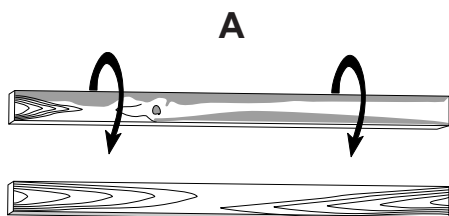


= Level

## ORIENT LUMBER AND TRIM FOR BEST APPEARANCE

Framing lumber is graded for structural strength and not appearance. Exterior trim is graded for one good side.

Always install the material leaving the best edge and best surface visible. Please remember that these blemishes in no way negatively affect the strength or integrity of our product. (See Fig. A, B, C.)



## ADDITIONAL MATERIALS

### FOUNDATION OR FLOOR MATERIALS

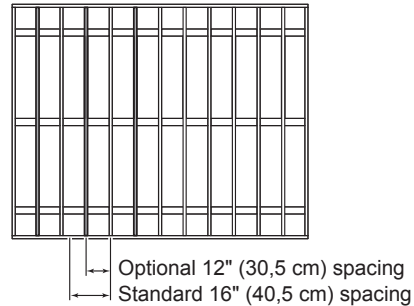
- If you purchased a separate floor kit, use instructions and materials in that kit to construct your floor..
- See the FLOOR LEVELING section on page 10 for recommended methods and suggested materials to properly level your floor, as this will vary depending on your specific site.

### REINFORCED WOOD FLOOR FRAME (OPTIONAL)

IMPORTANT! Depending on your specific use you may want to construct a heavy duty floor frame by adding additional floor joists (shown below as shaded). Below is a list of additional materials (not included):

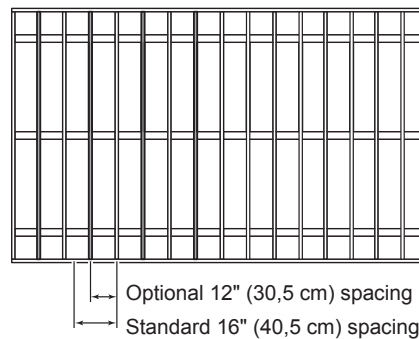
#### 10x12'

- x3** 2 x 4 x 10' (5,1 x 10,2 x 304,8 cm) Treated Lumber cut to 2 x 4 x 117" (5,1 x 10,2 x 297,2 cm)
- x12** 3" (7,6 cm) hot-dipped galvanized nails



#### 10x16'

- x4** 2 x 4 x 10' (5,1 x 10,2 x 304,8 cm) Treated Lumber cut to 2 x 4 x 117" (5,1 x 10,2 x 297,2 cm)
- x16** 3" (7,6 cm) hot-dipped galvanized nails





# PARTS IDENTIFICATION AND SIZES

Part identification letters are stamped on some parts.



Check these locations for part stamp.

Treated lumber is stamped:

**TREATED**

## WOOD SIZE CONVERSION CHART

Nominal Board Size	Actual Size
2 x 4	1-1/2" x 3-1/2" (3,8 x 8,9 cm)
1 x 4	3/4" x 3-1/2" (1,9 x 8,9 cm)
2 x 3	1-1/2" x 2-1/2" (3,8 x 6,3 cm)
1 x 3	3/4" x 2-1/2" (3,8 x 6,3 cm)

## PARTS LIST

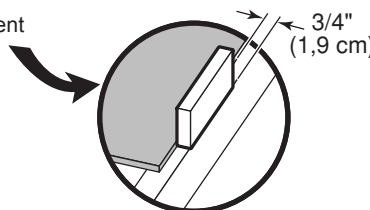


**INVENTORY YOUR PARTS before you begin.**

We suggest sorting parts by the category they are listed in.

### WALLS

- x1 **GAA** 1 x 3 x 5" (2,5 x 7,6 x 12,7 cm) Gauge Block for 3/4" (1,9 cm) measurement
- x3 **UY** 2 x 4 x 6-1/2" (5,1 x 10,2 x 16,5 cm)
- x2 **JBD** 2 x 4 x 20-3/8" (5,1 x 10,2 x 51,8 cm)
- x1 **RGF** 2 x 3 x 8" (5,1 x 7,6 x 20,3 cm) *(Used when window installed.)*
- x4 **UV** 2 x 4 x 23-1/4" (5,1 x 10,2 x 59,1 cm)
- x2 **RL** 2 x 4 x 24" (5,1 x 10,2 x 61 cm)
- x2 **SL** 2 x 4 x 36" (5,1 x 10,2 x 91,4 cm)
- x2 **HVC** 2 x 4 x 44-3/8" (5,1 x 10,2 x 112,7 cm)
- x2 **SP** 2 x 4 x 48" (5,1 x 10,2 x 121,9 cm)
- x1 7/16" x 3-1/4" x 66-3/4" (1,1 x 8,3 x 169,5 cm) OSB
- x6 **AM** 2 x 4 x 67" (5,1 x 10,2 x 170,2 cm)
- x6 **YFA** 2 x 4 x 68-1/2" (5,1 x 10,2 x 174 cm)
- x23 **AI** 2 x 4 x 78-1/2" (5,1 x 10,2 x 199,4 cm)
- x2 **TO** 2 x 4 x 84" (5,1 x 10,2 x 213,4 cm)
- x4 **TJ** 2 x 4 x 92-5/8" (5,1 x 10,2 x 235,3 cm)
- x4 **TP** 2 x 4 x 96" (5,1 x 10,2 x 243,8 cm)



### RAFTERS

- x12 **CLA** 2 x 4 x 4-7/8" (5,1 x 10,2 x 12,4 cm)
- x12 6 x 24" (15,2 x 61 cm) OSB OR WOOD GRAIN ⚠
- x2 **HJ** 1 x 3 x 72" (5,1 x 10,3 x 183 cm)
- x14 **ECN** 2 x 4 x 75-1/4" (5,1 x 10,2 x 191,1 cm)

### TRIM

- x4 3/8 x 7-7/8 x 73-5/16" (1 x 20 x 186,2 cm)
- x8 **ECA** 2 x 4 x 75-1/4" (5,1 x 10,2 x 191,1 cm)
- x2 3/8 x 4-3/4 x 75-7/8" (1 x 12,1 x 197,2 cm)
- x2 3/8 x 4-3/4 x 75-7/8" (1 x 12,1 x 197,2 cm)
- x4 3/8 x 5-7/8 x 73" (1 x 14,9 x 185,4 cm)
- x4 3/8 x 4-3/4 x 80-7/8" (1 x 12,1 x 205,4 cm)
- x4 3/8 x 1-3/4 x 81-7/8" (1,0 x 4,4 x 208 cm)
- x4 3/8 x 1-3/4 x 82-1/2" (1,0 x 4,4 x 209,6 cm)

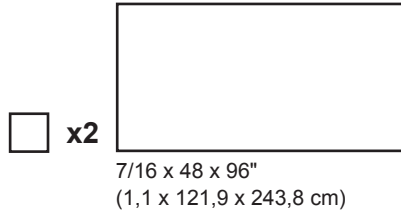
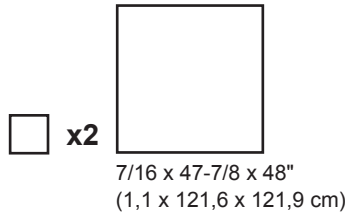
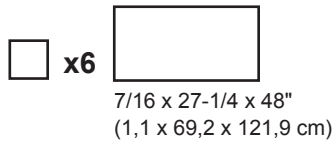
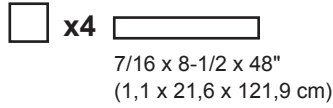
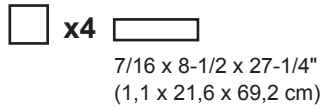
### DOOR

- x4 **AH** 19/32" x 3" x 26-5/8" (1,5 x 7,6 x 67,6 cm)
- x1 **ZJ** 19/32" x 3" x 72" (1,5 x 7,6 x 183 cm)
- x2 **OO** 69" Door Stiffener (175,3 cm)

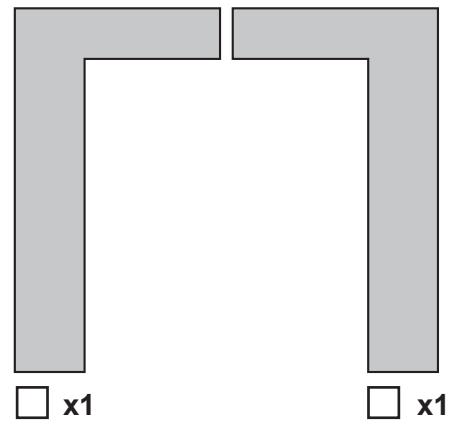
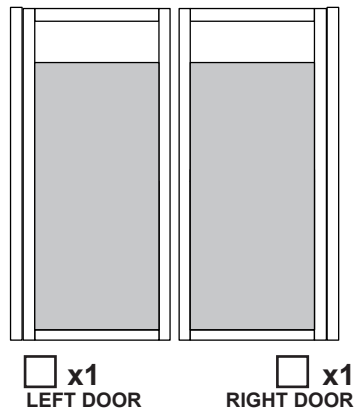
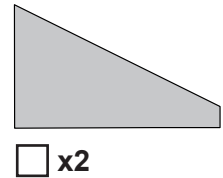
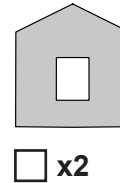
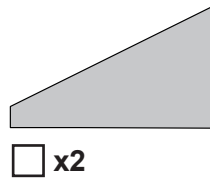
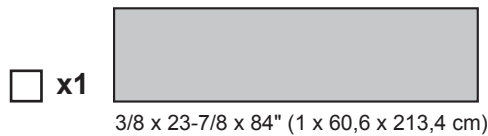
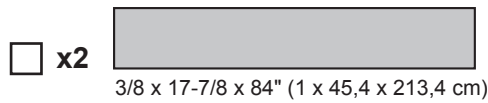
## ROOF PANELS

Roof panels are 7/16" (1,1 cm) thick.

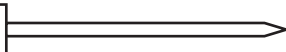




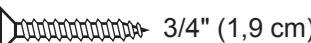
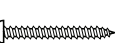
NOTE: Panel parts are not stamped.



## WALL PANEL & DOORS PARTS LIST




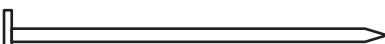
## FASTENER/HARDWARE BAG

- x100  1-1/2" (3,8 cm)
- x255  2" (5,1 cm)
- x175  3" (7,6 cm)
- x24  2" (5,0 cm)
- x58  1-5/8" (4,1 cm)
- x72  3/4" (1,9 cm)
- x8  1" (2,5 cm)



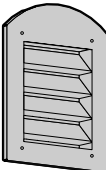

**NOTE:**

*If you are using a nail gun, nails may be used where screws are shown for quicker assembly. Length of nail must match screw length.*

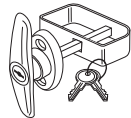
## NAIL BOXES (Shown Actual Size)


- x4 BOXES  3" (7,6 cm)
- x6 BOXES  2" (5,1 cm)

## VENT, WINDOW and DOOR HARDWARE

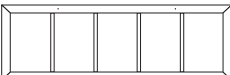


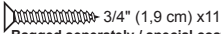
- x4 
- x12  1" (2,5 cm)
- x2   x8  #8 x 1" (2,5 cm)  
Pan Head Screws

**Handle (locking) with Screws**

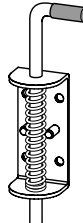



x2  1-1/4" (3,2 cm)

x1

- x2  **Transom Window**
- x8  3/4" (1,9 cm)
- x1  **64" Metal Threshold**  
 3/4" (1,9 cm) x11  
Bagged separately / special coating

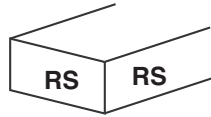
**Spring Bolt**

x2 

x8  1-1/4 (3,2 cm)  
(4 screws in each package)

# PARTS IDENTIFICATION AND SIZES

Part identification is stamped on some parts.



• Check these locations for part stamp.

## WOOD SIZE CONVERSION CHART

Nominal Board Size	Actual Size
2 x 4	1-1/2" x 3-1/2" (3,8 x 8,9 cm)
1 x 4	3/4" x 3-1/2" (1,9 x 8,9 cm)
2 x 3	1-1/2" x 2-1/2" (3,8 x 6,3 cm)
1 x 3	3/4" x 2-1/2" (3,8 x 6,3 cm)

10x4'


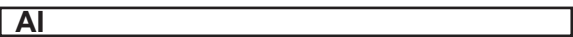



## GABLE 10' x 4' EXTENDER KIT PARTS LIST



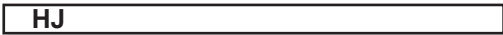
INVENTORY YOUR PARTS before you begin.

We suggest sorting parts by the category they are listed in.



### WALL

- x6 **SP**  2 x 4 x 48" (5,1 x 10,2 x 121,9 cm)
- x4 **AI**  2 x 4 x 78-1/2" (5,1 x 10,2 x 199,4 cm)
- x2  3/8 x 48 x 84"  
(1 x 121,9 x 213,4 cm)



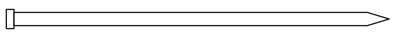
### RAFTERS

- x4  6 x 24" (15 x 60,1 cm)
- x4 **ECN**  2 x 4 x 75-1/4" (5,1 x 10,2 x 191,1 cm)
- x1 **HJ**  1 x 3 x 72" (5,1 x 10,3 x 183 cm)


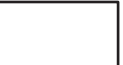
### TRIM

- x2  3/8 x 5-7/8 x 48" (1 x 14,9 x 121,9 cm)
- x2  3/8 x 4-3/4 x 48" (1 x 12,1 x 121,9 cm)

### HARDWARE

- x12  3" (7,6 cm)
- x4  1-5/8" (4,1 cm)
- x32  2" (5,1 cm)

### ROOF PANELS

- x2  47-7/8" x 48"  
(121,6 x 121,9 cm)
- x2  23-1/2" x 47-7/8"  
(59,7 x 121,9 cm)

Roof panels are 7/16" (1,1 cm) thick.



## OPTIONAL WOOD FRAME FLOOR LEVELING OPTIONS

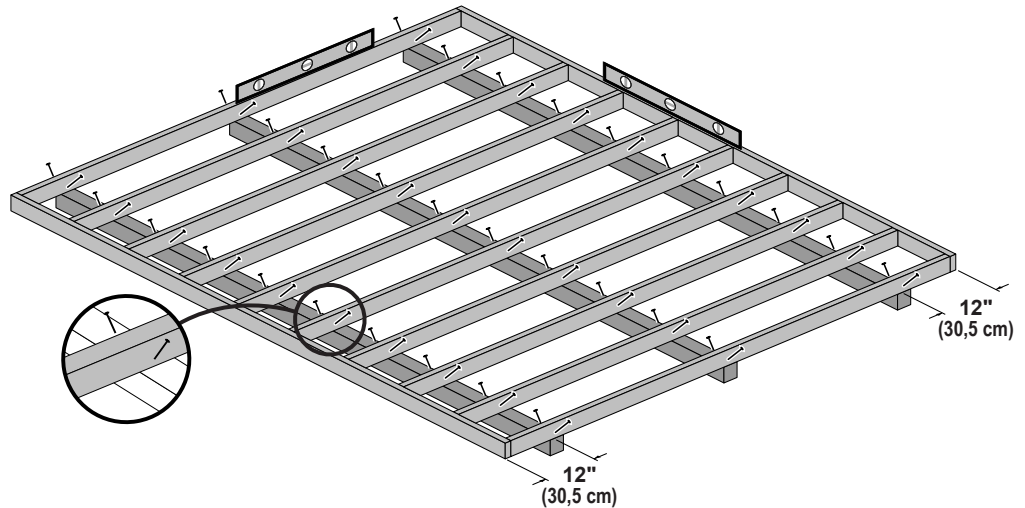
There are multiple ways to level your floor frame. Our recommended leveling method is shown below.  
Leveling materials are not included in this kit.

### PREFERRED METHOD - 4x4 TREATED RUNNERS (Typical for 10' x 12' Kit)

Runners are generally 12" (30,5 cm) from ends of floor frame and under seams.

Measurements to centers of 4x4's.

- 3" Screws angled into 4x4.
- (2) at each point frame and 4x4 touch.



**! FLOOR FRAME NOT INCLUDED**

**Fasteners for Frame to 4x4:**  
(3" Screws shown as one option.)  
Minimum 3" screws / exterior grade.

#### MATERIAL REQUIRED:

**10' x 12'**  x3 4 x 4 x 12' (10,2 x 10,2 x 305 cm) Treated Lumber

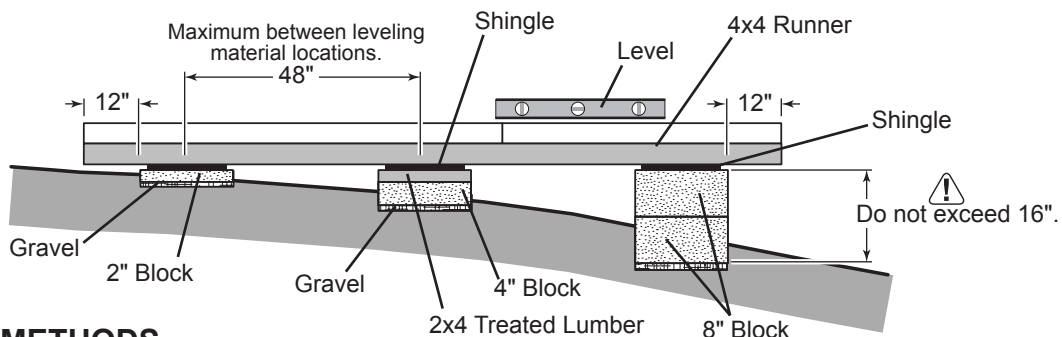
**10' x 16'**  x3 4 x 4 x 16' (10,2 x 10,2 x 487,7 cm) Treated Lumber

**x60**  3" (7,6 cm)

**x78**  3" (7,6 cm)

**! Use only wood treated for ground contact and fasteners approved for use with treated wood.**

**! Always support frame seams.**



#### LEVELING METHODS

- Level under 4x4 runners only.
- Locate leveling material 12" from ends of runners and no more than 48" apart.
- Asphalt shingles should be used between 4x4 runners and blocks or treated lumber. Never use shingles in direct contact with ground.
- For best results and aiding in water drainage use gravel under each concrete block.

#### LEVELING MATERIALS

- Gravel
- Solid Masonry Blocks in 1", 2", 4" or 8" thickness
- 2x4 Treated Lumber
- Asphalt Shingles

**! Leveling higher than 16" not recommended.**

## LEVELING & SQUARING THE FLOOR FRAME (Not Included)

**STOP!**



### LEVEL AND SQUARE FLOOR FRAME



**STOP!**

Before attaching floor decking, it is important to level and square the floor frame. A level and square floor frame is required to correctly construct your shed.

See page 10 for the preferred floor leveling method.

✓ **BEGIN** Use a level and ensure the frame is level before applying floor panels.

**1** Check for frame squareness by measuring diagonally across the corners.

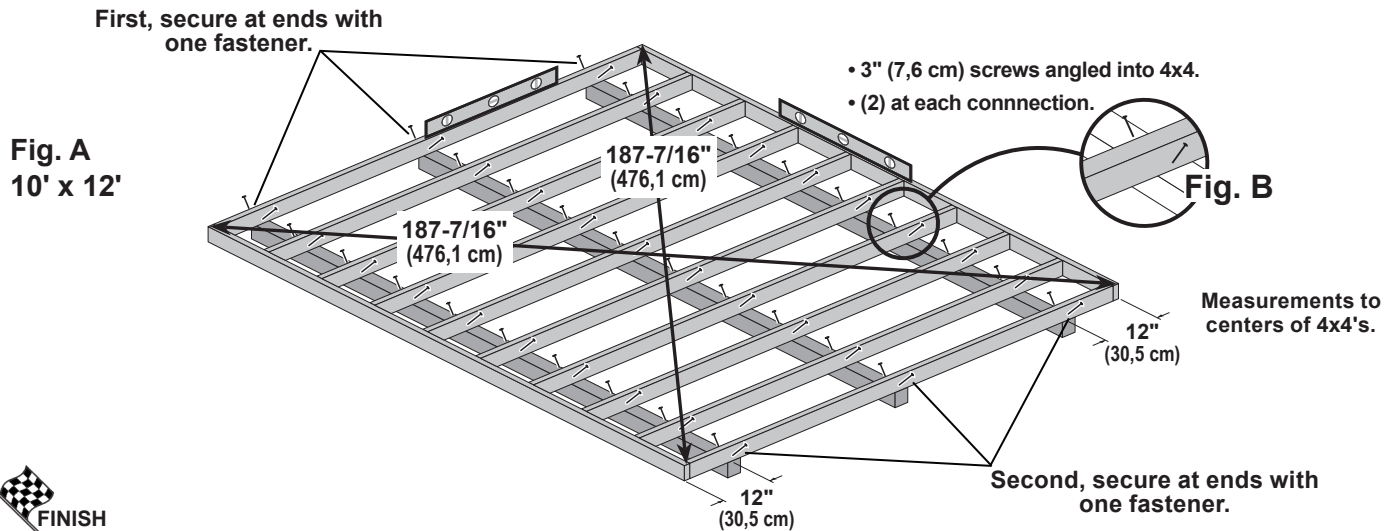
If the measurements are the same, the frame is square.

- The diagonal measurement for 10' x 12' will be approximately **187-7/16"** (476,1 cm) (Fig. A).
- The diagonal measurement for 10' x 16' will be approximately **226-7/16"** (575,2 cm) (Fig. C).

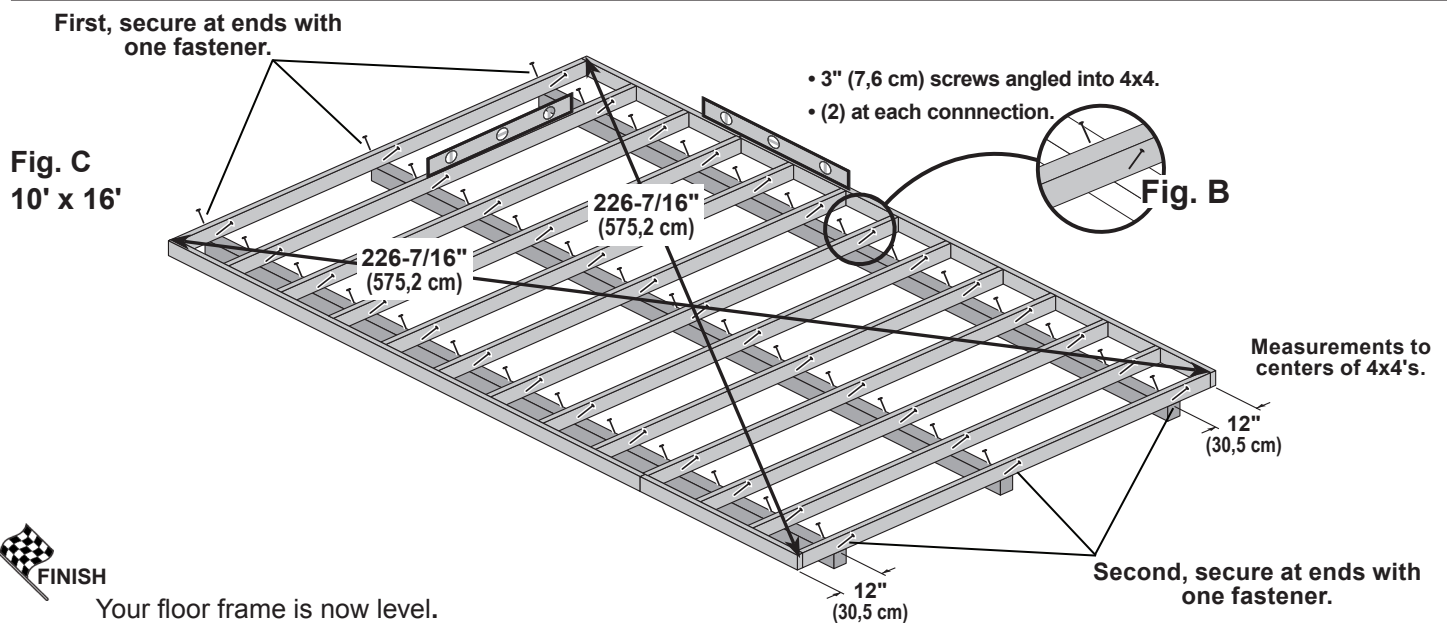
**2** After the frame is level and square, secure one side of frame to 4x4 runners using one fastener at ends of each runner. At the opposite end of the frame, secure the frame to 4x4 runners with one fastener at the ends of each runner, ensuring that the frame remains square.

Fasten the frame to the 4x4 runners with (2) 3" screws at each connection (Fig. B).

*4x4 runners are generally installed 12" (30,5 cm) from ends of floor frame and under any seams.*



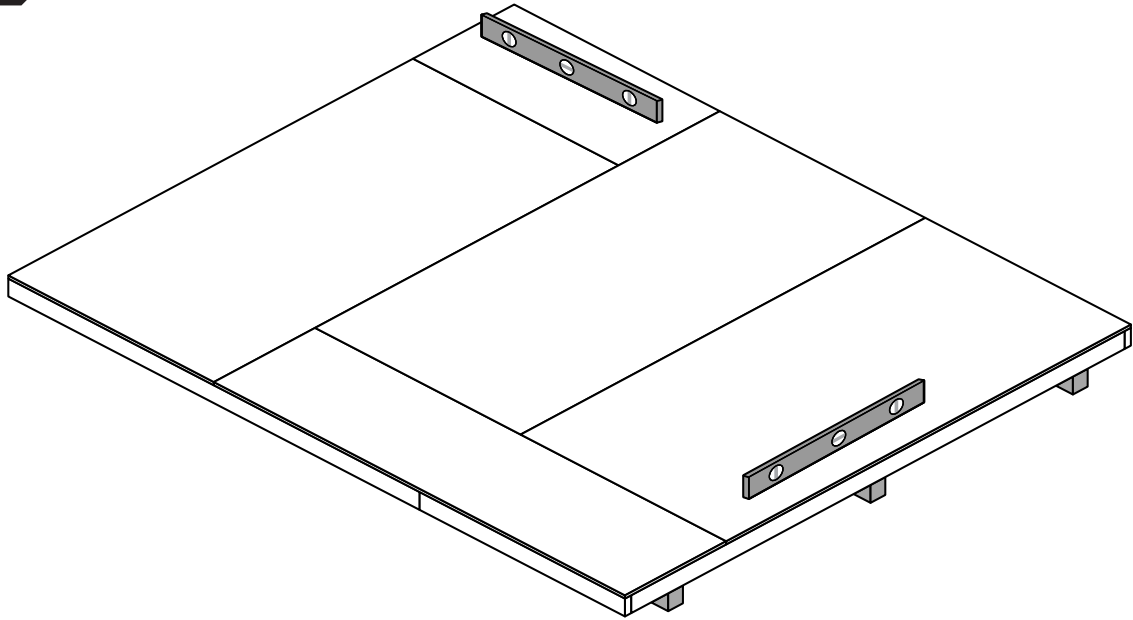
Your floor frame is now level.



Your floor frame is now level.

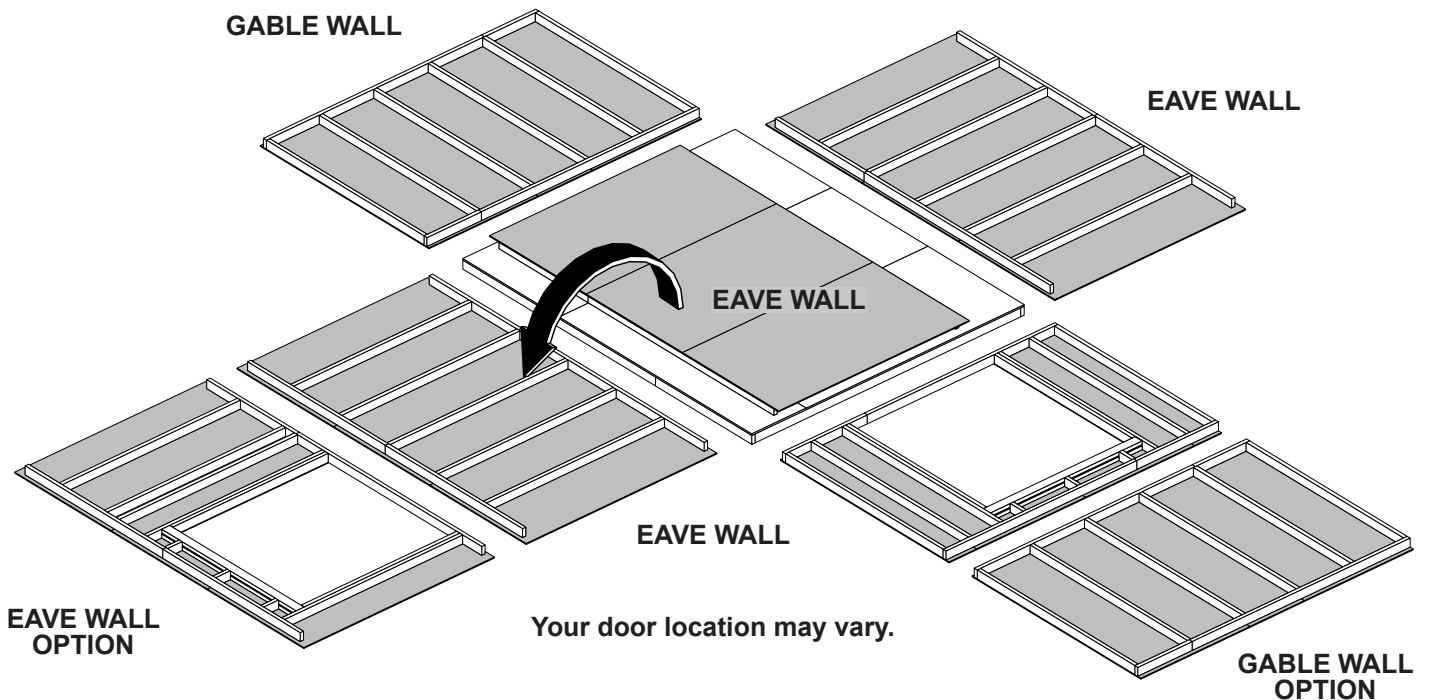


Ensure that the floor frame is level after installing floor panels.  
*Re-level if necessary.*



**HINT:**

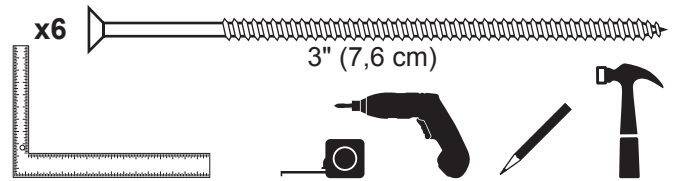
- The floor should be used as a stable work surface for wall construction.
- Organize your assembly procedure during the build process to avoid over-handling of the walls.



# RAFTER ASSEMBLY

## PARTS REQUIRED:

x2 **CLA** 2 x 4 x 4-7/8" (5,1 x 10,2 x 12,4 cm)

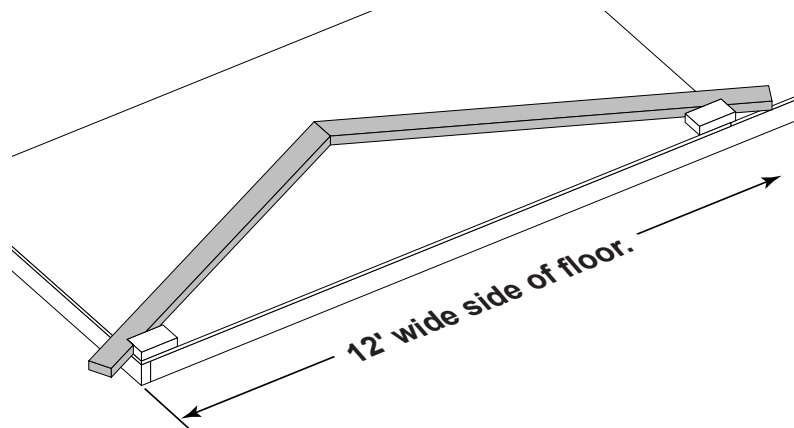
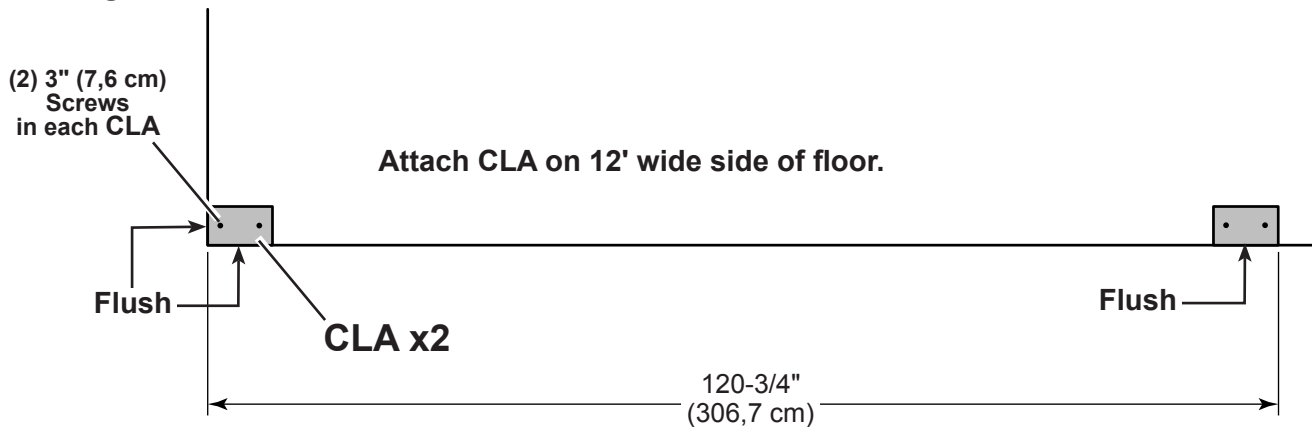


*Build a rafter jig using the floor and (2) CLA parts.*

✓ **BEGIN**

- 1 Secure (1) **CLA** flush to the floor deck with (2) 3" screws (**Fig. A**).  
Measure over 120-3/4" (306,7 cm) and install a second **CLA** flush to the floor deck.  
Secure with (2) 3" screws.

**Fig. A**



10x12' 10x16'

# RAFTER ASSEMBLY

## PARTS REQUIRED:

x12

x16

OSB OR WOOD GRAIN

x14

x18

ECN  
2 x 4 x 75-1/4" (5,1 x 10,2 x 191,1 cm)

x130

x174

2" (5,1 cm)

x14

x18

1-5/8" (4,1 cm)



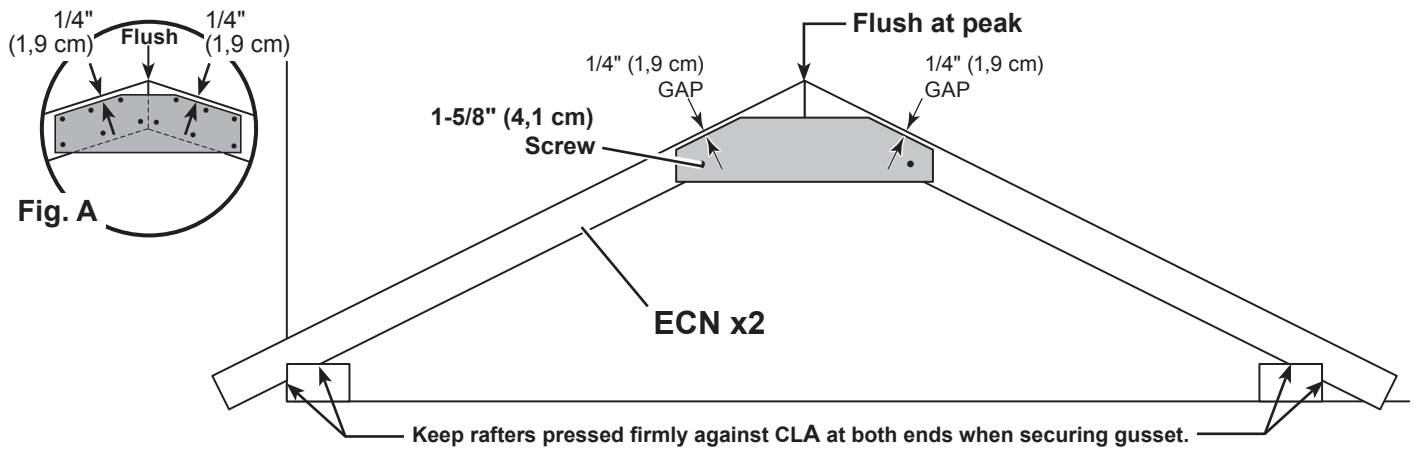
### ✓ BEGIN

- 1 Place (2) rafters **ECN** into the jig, as shown.
- 2 Press **ECN** firmly against the outside of **CLA**'s, as shown (**Fig. A**) and push rafters tight to the middle. Rafters should touch (flush) at peak (**Fig. A**).

Place gusset onto **ECN** with a 1/4" gap from edge (**Fig. A**) while holding rafters in place. Secure gusset with (1) 1-5/8" screw into each rafter.

**HINT: These screws will help hold the measurements when you nail on gussets.**

Secure the gusset to the rafters with (10) 2" nails in the pattern shown (**Fig. A**).



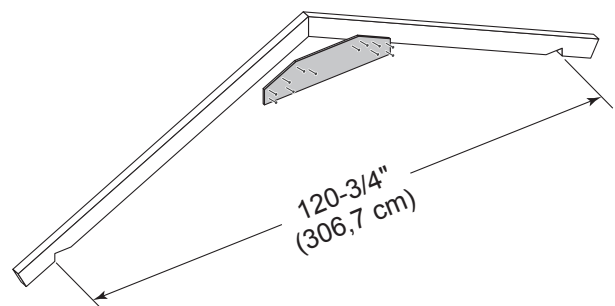
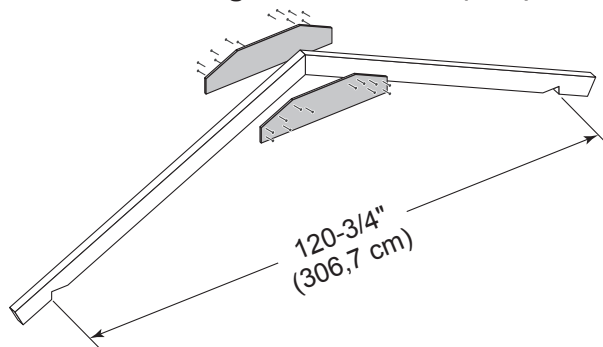
- 3 Flip over rafter assembly and fasten a 2nd gusset with 2" nails (**Fig. A, Fig. B**). **No need to use the jig for the 2nd gusset.**

**Repeat steps 1-3 to build (4) or (6) ADDITIONAL rafters with (2) gussets (**Fig. B**).**

- 4 Repeat steps 1 and 2 to build (2) rafters with only (1) gusset (**Fig. C**)

**Fig. B - Build 5 or 7 (total)**

**Fig. C - Build 2**



Your rafters are now assembled.

# WALL INDEX

*Create your own style of shed. Choose your door location.  
Use this guide to find the corresponding wall construction and installation pages.*

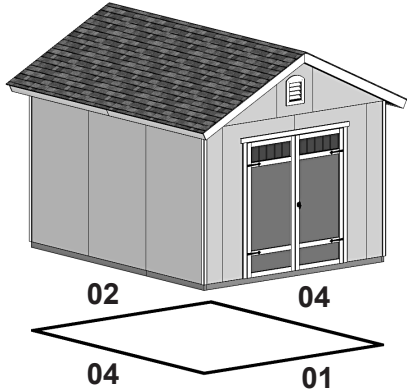
*As another option, eave walls with doors can be reversed during assembly.*



**IMPORTANT!** Build your door header before building any walls (see page 16).

## **10' x 12' Door on gable wall**

*After assembling the walls for your 10' x 12' shed, go to page 32 for wall installation.*

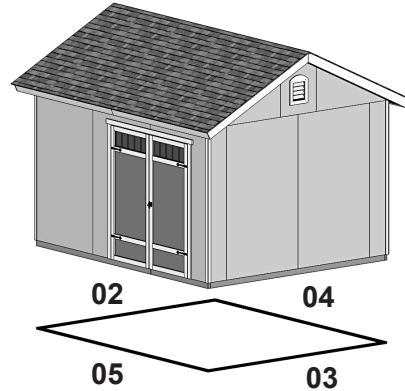


### **10' x 12'**

Wall 01: Page 18  
Wall 02: Page 20  
Wall 04: Page 24 (Build 2 eave walls)

## **10' x 12' Door on eave wall**

*After assembling the walls for your 10' x 12' shed, go to page 32 for wall installation.*

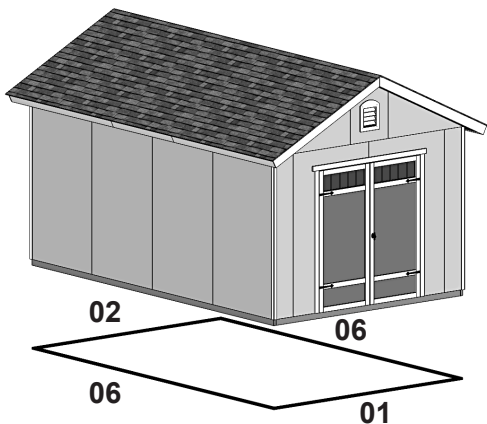


### **10' x 12'**

Wall 02: Page 20  
Wall 03: Page 22  
Wall 04: Page 24  
Wall 05: Page 26

## **10' x 16' Door on gable wall**

*After assembling the walls for your 10' x 16' shed, go to page 38 for wall installation.*

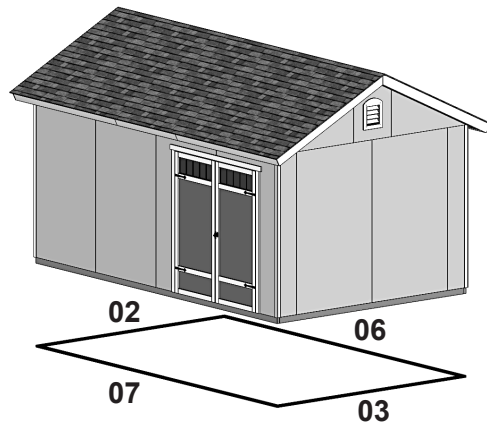


### **10' x 16'**

Wall 01: Page 18  
Wall 02: Page 20  
Wall 06: Page 28 (Build 2 eave walls)

## **10' x 16' Door on eave wall**

*After assembling the walls for your 10' x 16' shed, go to page 38 for wall installation.*



### **10' x 16'**

Wall 02: Page 20  
Wall 03: Page 22  
Wall 06: Page 28  
Wall 07: Page 30

# DOOR HEADER

**STOP!**

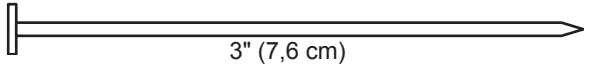
**Assemble this door header before building any walls!**

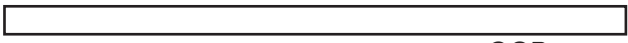
Any wall with a door will require this assembly.

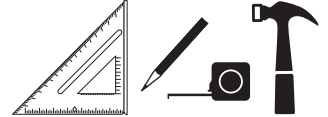
**STOP!**

## PARTS REQUIRED:

x2 **AM**  
2 x 4 x 67" (5,1 x 10,2 x 170,2 cm)

x18  3" (7,6 cm)

x1   
7/16 x 3-1/4 x 66-3/4" (1,1 x 8,3 x 170,2 cm) **OSB**

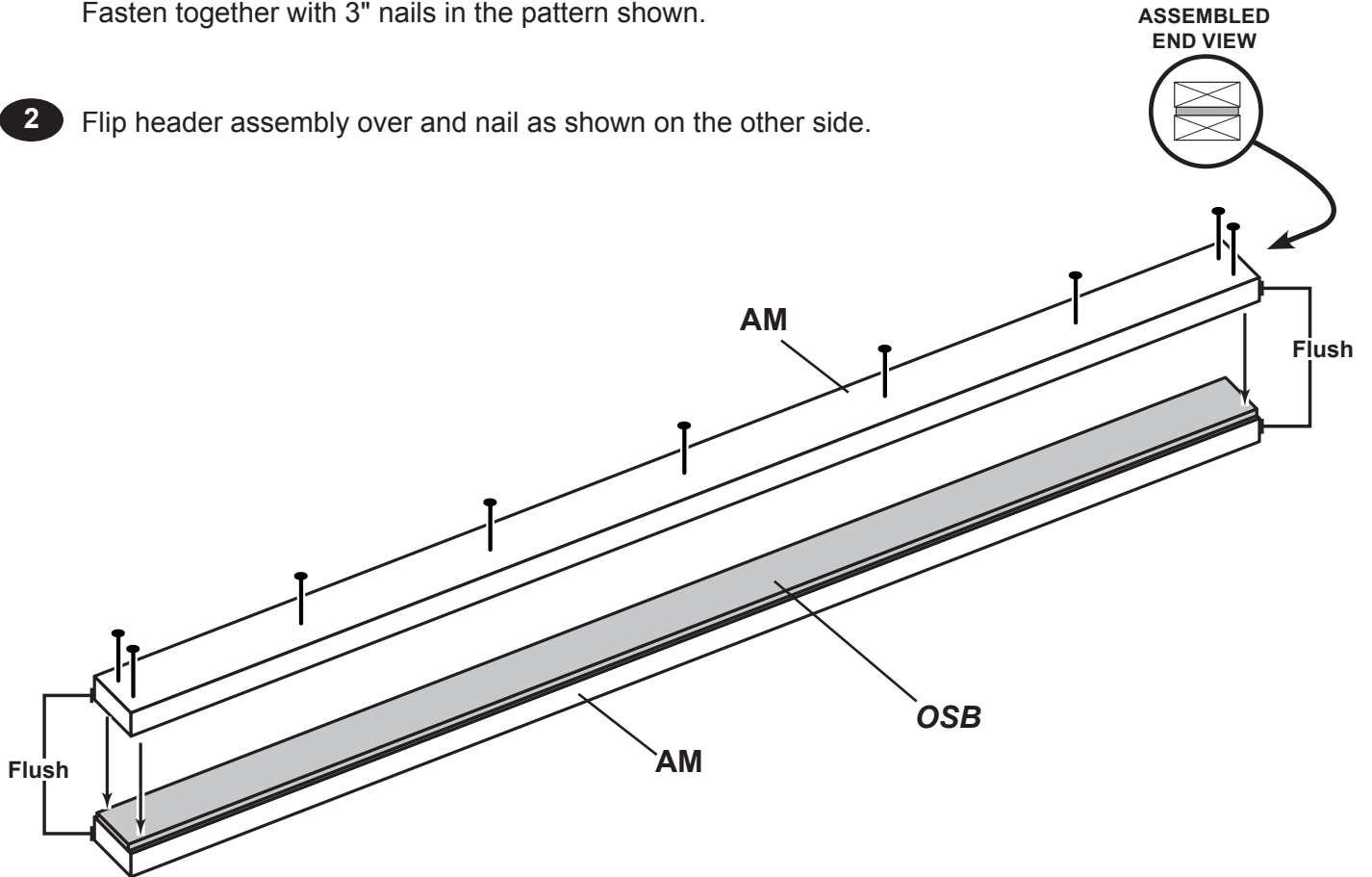


✓ **BEGIN**

- 1 Place (1) **AM** and **OSB** end-to-end on flat surface, flush in middle.  
Center **OSB** on top of **AM**.

Fasten together with 3" nails in the pattern shown.

- 2 Flip header assembly over and nail as shown on the other side.



 **FINISH**

Your door header is now assembled.

# WALL PANEL INSTALLATION HINTS & EXAMPLES

## PARTS REQUIRED:

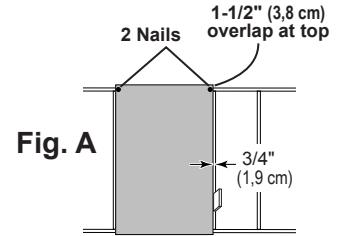


**Ensure your wall is square by installing one panel and squaring frame.**

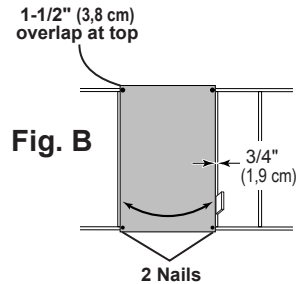
**Install all wall panels with the primed side facing up.**

✓ **BEGIN**

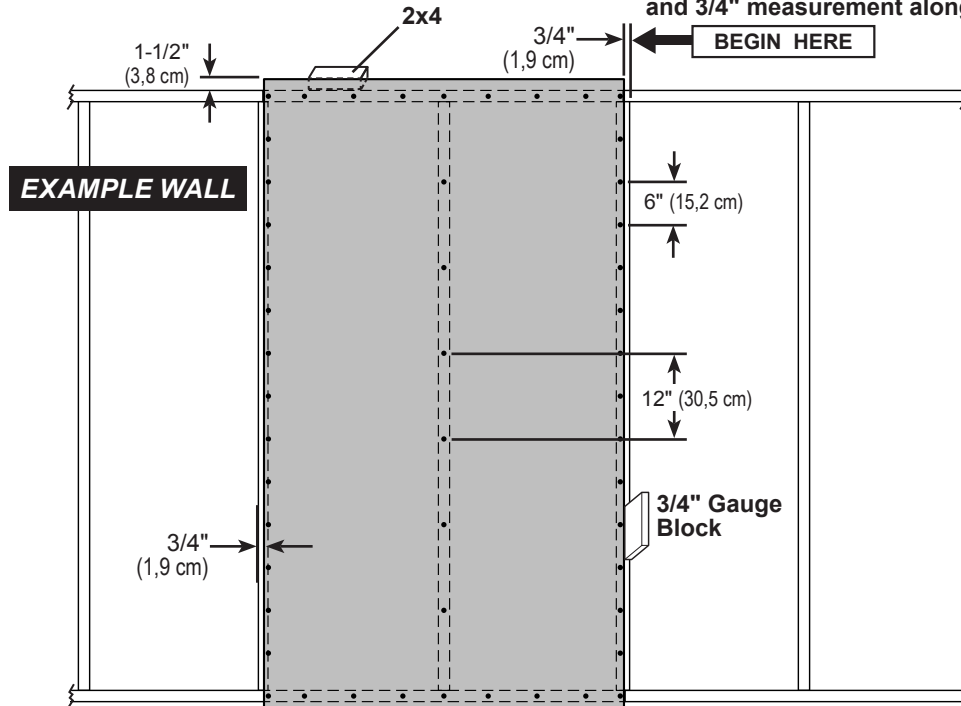
- Place (1) 48" x 84" panel on the wall frame, as shown.  
 Locate the panel 1-1/2" above the top plate.  
 Use a 2x4 as a gauge block for the 1-1/2" top overhang measurement.  
 Use the **GAA** gauge block to mark the 3/4" side measurement on the wall stud.  
 Secure panel with (2) 2" nails in the corners (**Fig. A**).



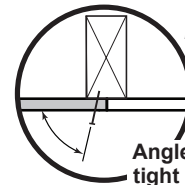
- Move to the opposite end. Using the long edge of the panel as a lever, move the panel side-to-side until you have a 3/4" measurement on the wall stud.  
 Secure corner with (2) 2" nails (**Fig. B**).  
 Secure panel with 2" nails spaced 6" apart on edges and 12" apart inside panel.



**For squareness maintain 1-1/2" and 3/4" measurement along panel edges.**



**HINT**

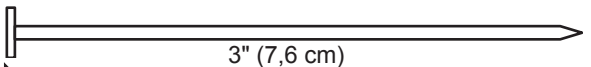


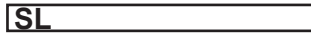
**Angle nail to draw panels tight at seams.**

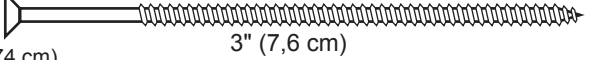
# 10' WALL - 01

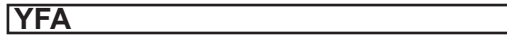
## PARTS REQUIRED: x3 UY

2 x 4 x 6-1/2" (5,1 x 10,2 x 16,5 cm)

x60  3" (7,6 cm)

x2 SL  2 x 4 x 36" (5,1 x 10,2 x 91,4 cm)

x6  3" (7,6 cm)

x2 YFA  2 x 4 x 68-1/2" (5,1 x 10,2 x 174 cm)

x6 AI  2 x 4 x 78-1/2" (5,1 x 10,2 x 199,4 cm)

x2 TO  2 x 4 x 84" (5,1 x 10,2 x 213,4 cm)

Pre Assembled Header

x1 



### ✓ BEGIN

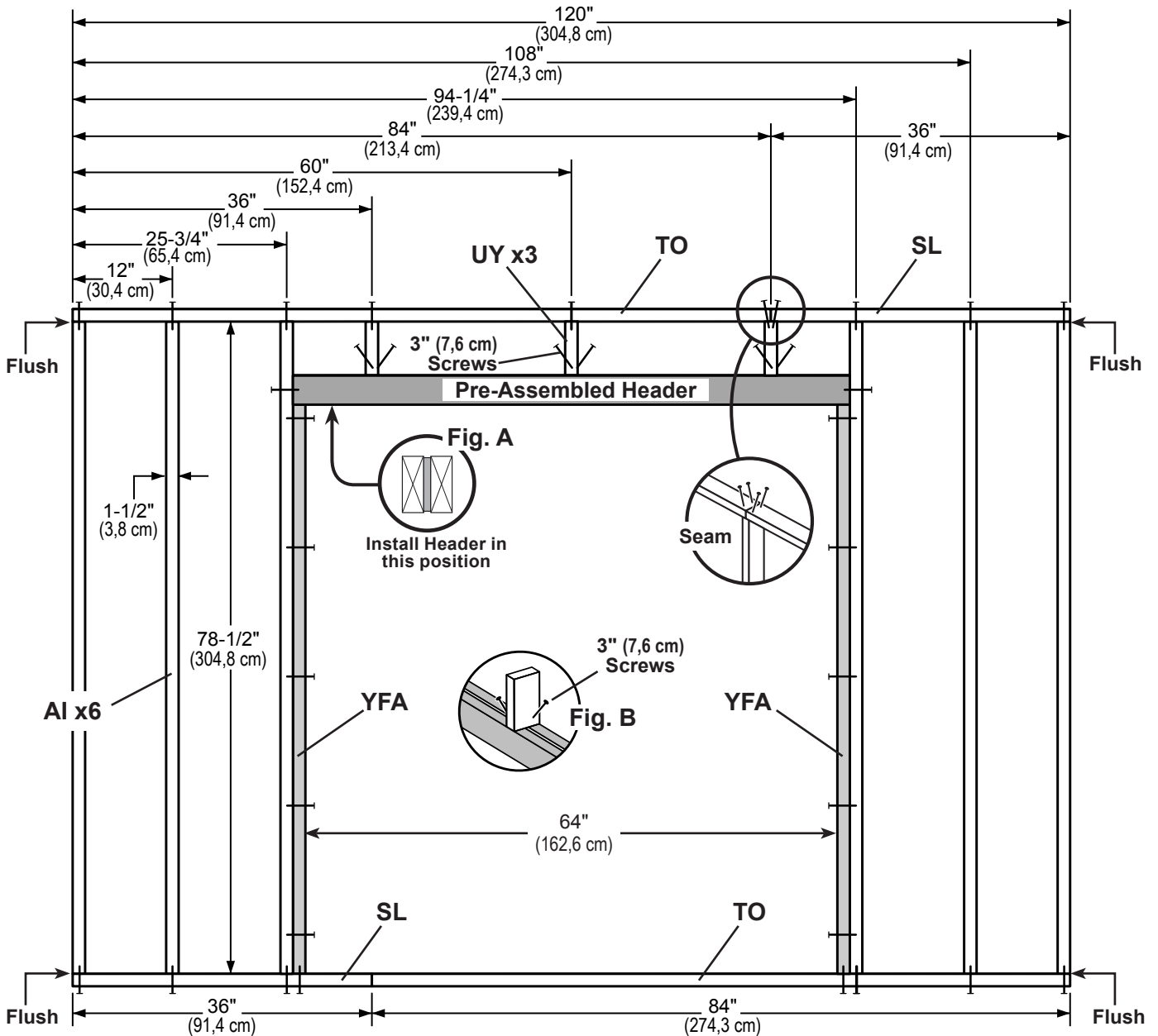
**1** Orient parts on edge on floor as shown. Measure and mark from end of boards.

Orient **Pre Assembled Header** on flat side (**Fig. A**).

Secure with (2) 3" nails at each connection and (4) 3" nails at seams.

**2** Fasten (3) middle parts **UY** to **Pre Assembled Header** with (2) 3" screws (**Fig. B**).

Secure parts **UY** to top plates with (2) 3" nails at each connection and (4) 3" nails at seam.



# 10' WALL 01

## PARTS REQUIRED:

x2 11-7/8" x 84" (30,2 x 213,4 cm)

x1 x1

x2 3" (7,6 cm)

x158 2" (5,1 cm)

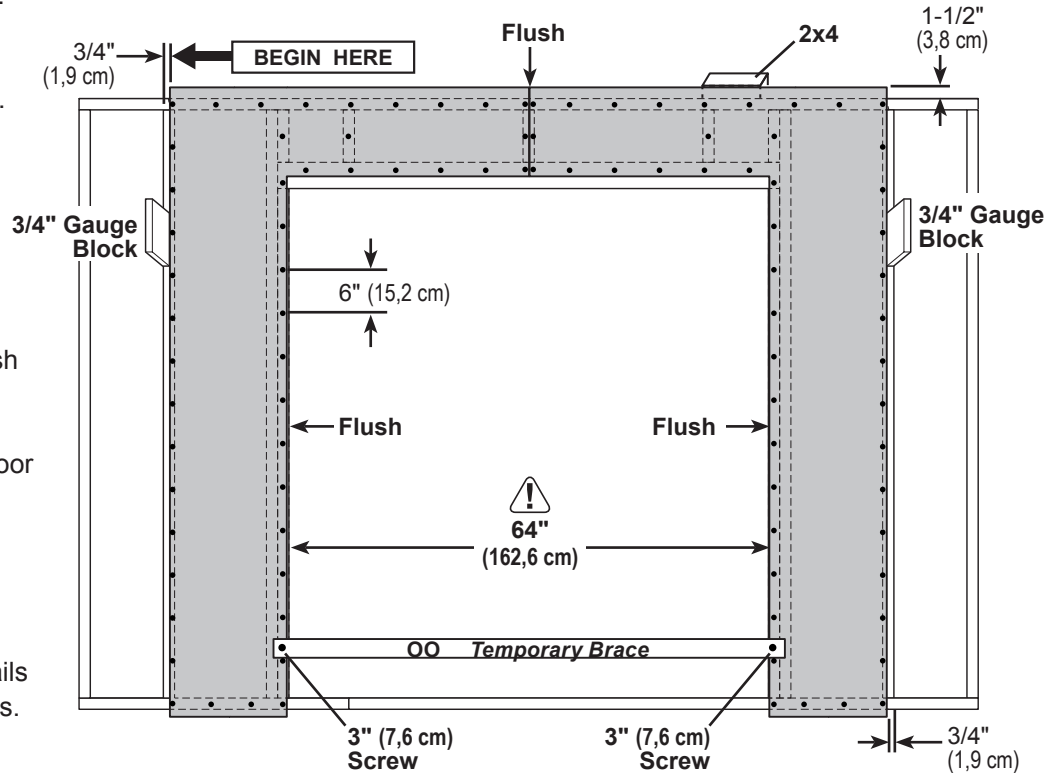
x1 OO Temporary Brace  
69" (75,3 cm) Door Stiffener



**3** Install the left panel 1-1/2" from the top plate. Use a 2x4 spacer for consistent measurement. Secure panel with 2" nails spaced 6" apart on edges.

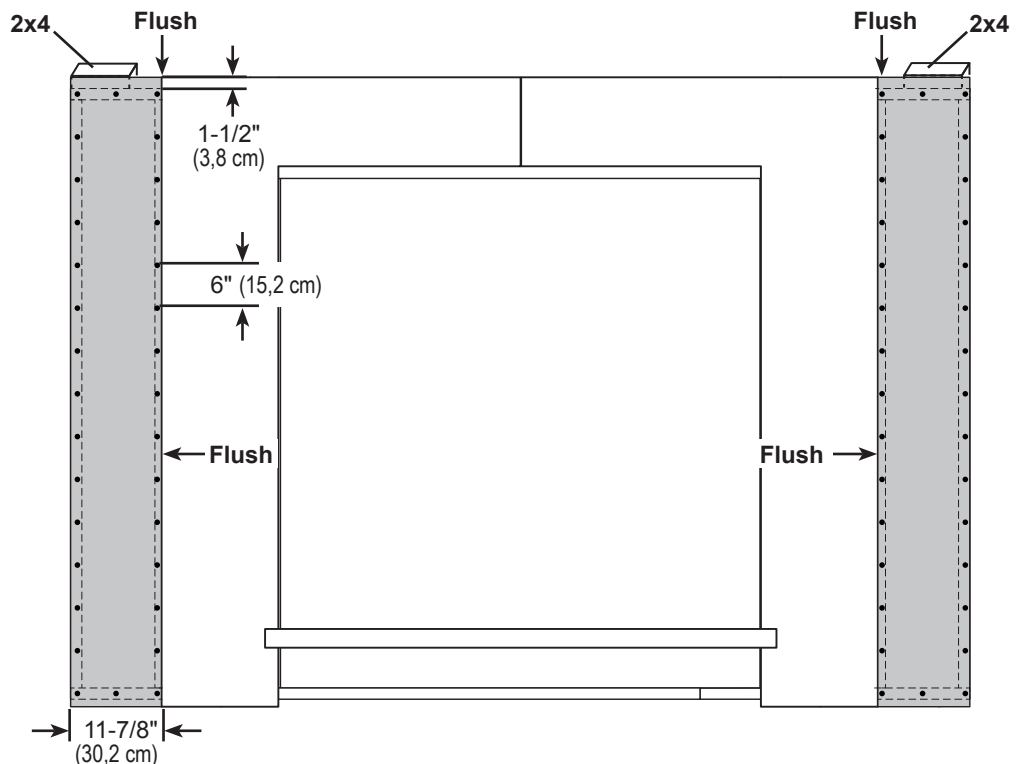
**4** Install the right panel flush to installed panel, as shown. Ensure 64" (162,8 cm) door measurement. Use part OO as a temporary brace. Secure with (2) 3" screws.

Secure panels with 2" nails spaced 6" apart on edges.



**5** Install (2) 11-7/8" x 84" panels flush to installed panels and 1-1/2" from the top plate.

Secure panels with 2" nails spaced 6" apart on edges.



Your 10' WALL 01 is now assembled. Carefully flip the wall over.

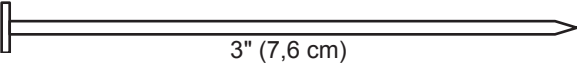
# 10' WALL 02

## PARTS REQUIRED:

x2 **RL**  
2 x 4 x 24" (5,1 x 10,2 x 61 cm)

x6 **AI**  
2 x 4 x 78-1/2" (5,1 x 10,2 x 199,4 cm)

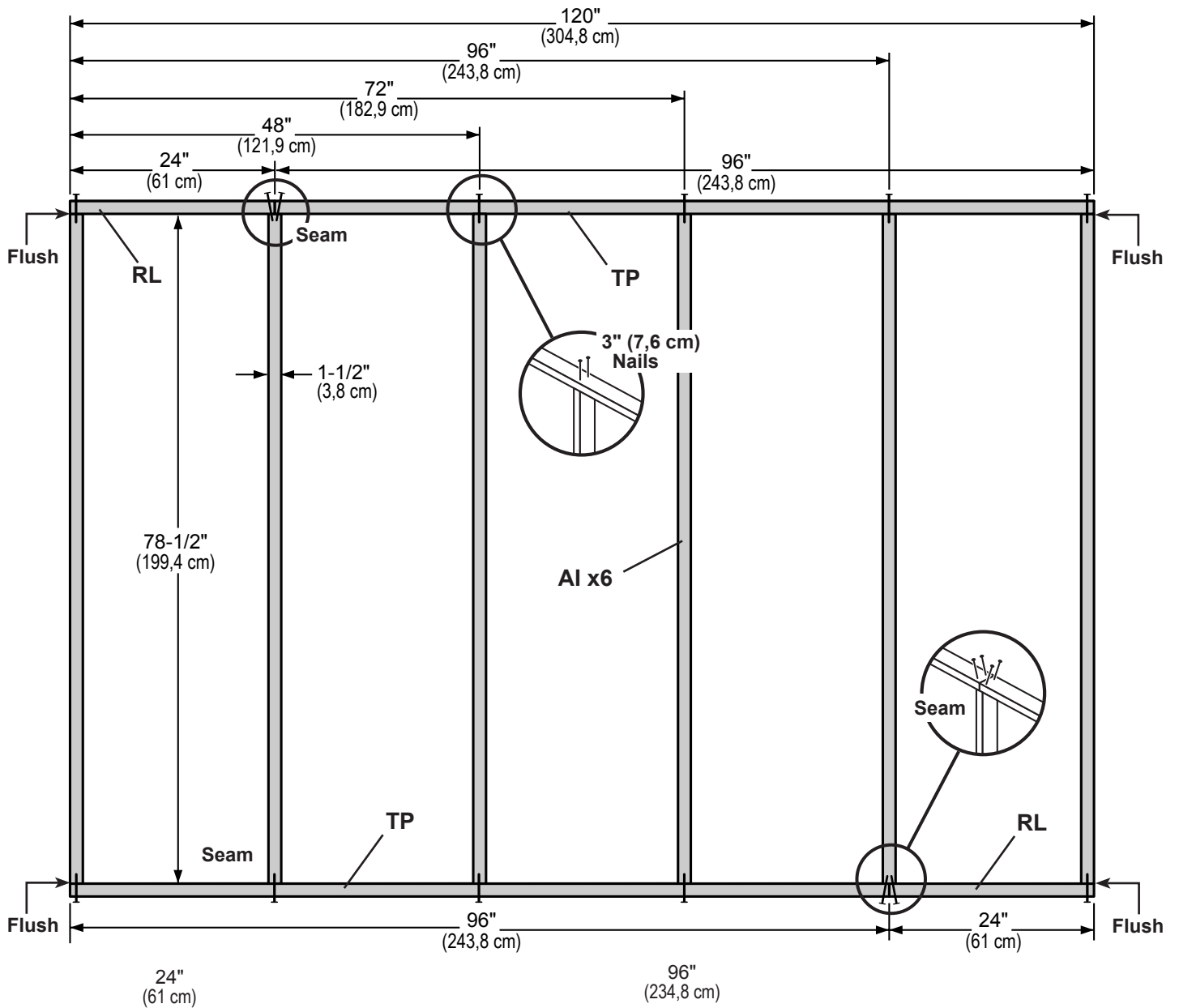
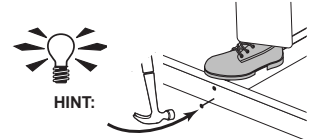
x2 **TP**  
2 x 4 x 96" (5,1 x 10,2 x 243,8 cm)

x28  3" (7,6 cm)



### ✓ BEGIN

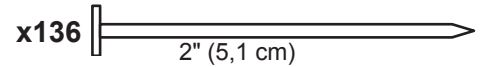
- 1 Arrange parts on edge on floor as shown. Measure and mark from end of boards.  
Secure with (2) 3" nails at each connection and (4) 3" nails at seams.



# 10' WALL 02

## PARTS REQUIRED:

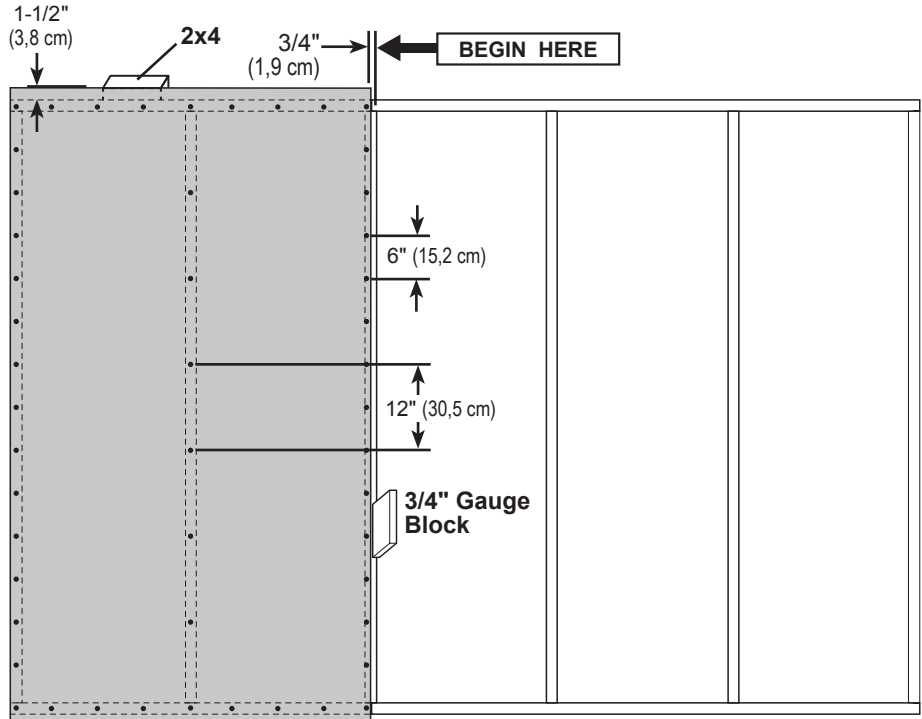
- x1  23-7/8" x 84"  
(60,6 x 213,4 cm)
- x2  48" x 84"  
(121,9 x 213,4 cm)



**2**  
Install 48" x 84" panel 1-1/2" from the top plate.

Use a 2x4 spacer for consistent measurement.

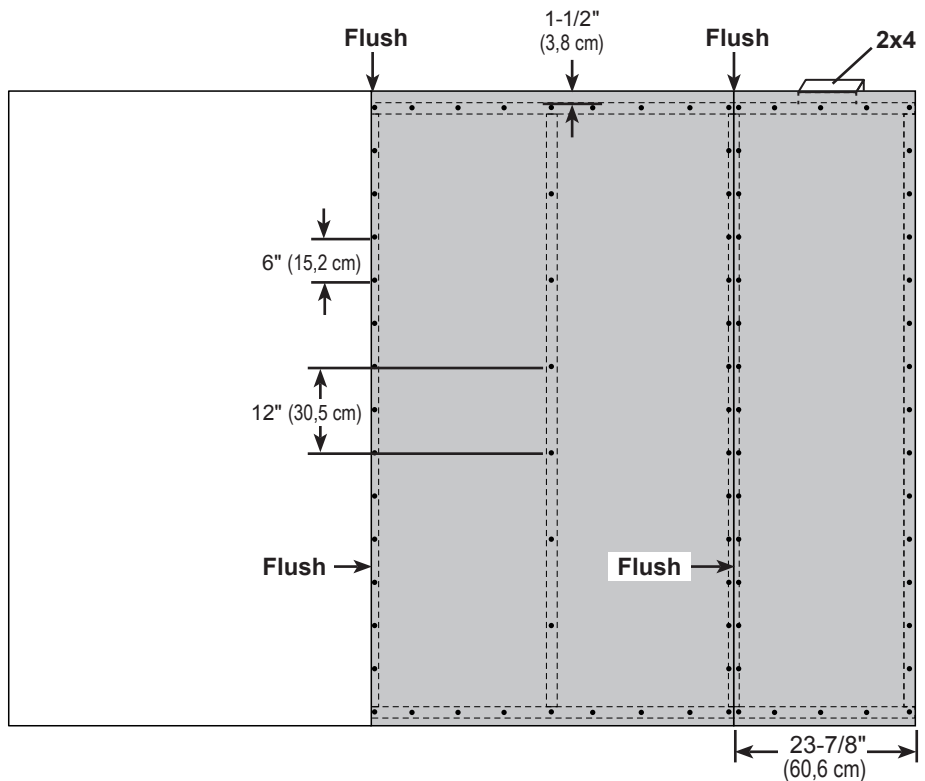
Secure panel with 2" nails spaced 6" apart on edges and 12" inside panel.



**3**  
Install the 48" x 84" and (2) 23-7/8" x 84" panels flush to installed panels.

Locate panels 1-1/2" from the top plate.

Secure with 2" nails spaced 6" apart on edges and 12" apart inside panel.



Your 10' WALL 02 is now assembled.  
Carefully flip the wall over.

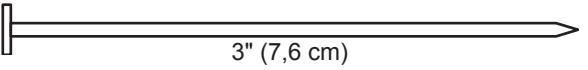
# 10' WALL 03

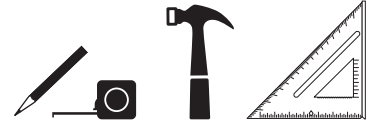
## PARTS REQUIRED:

x2 **SL**  
2 x 4 x 36" (5,1 x 10,2 x 91,4 cm)

x7 **AI**  
2 x 4 x 78-1/2" (5,1 x 10,2 x 199,4 cm)

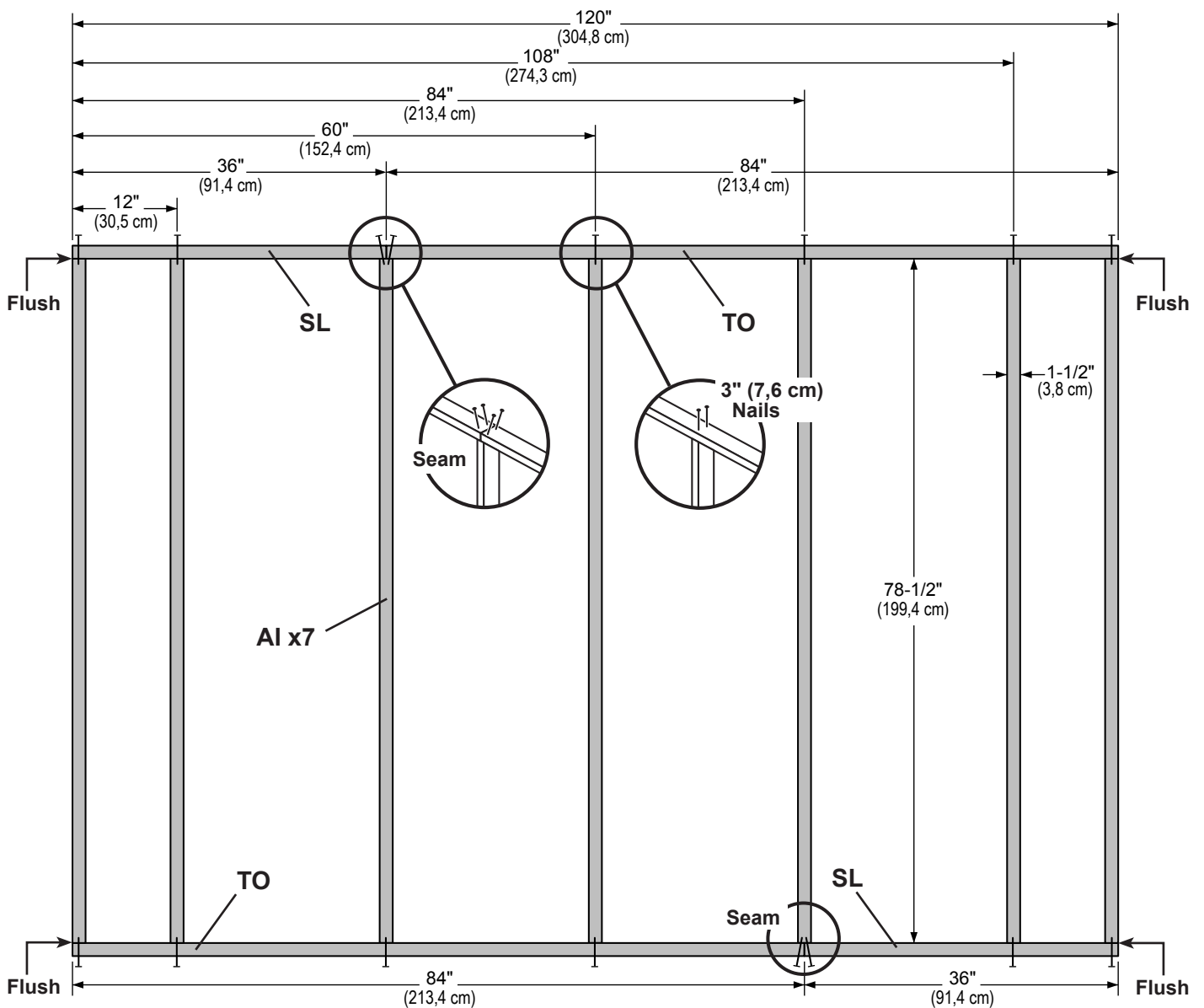
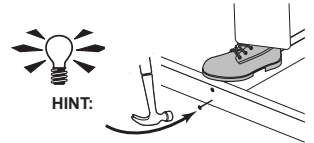
x2 **TO**  
2 x 4 x 84" (5,1 x 10,2 x 213,4 cm)

x32  3" (7,6 cm)



### ✓ BEGIN

- 1 Orient parts on edge on floor as shown. Measure and mark from end of boards.  
Secure with (2) 3" nails at each connection and (4) 3" nails at seams.



# 10' WALL 03

## PARTS REQUIRED:

x2 11-7/8" x 84" (30,2 x 213,4 cm)

x2 48 x 84"  
(121,9 x 213,4 cm)

x164 2" (5,1 cm)

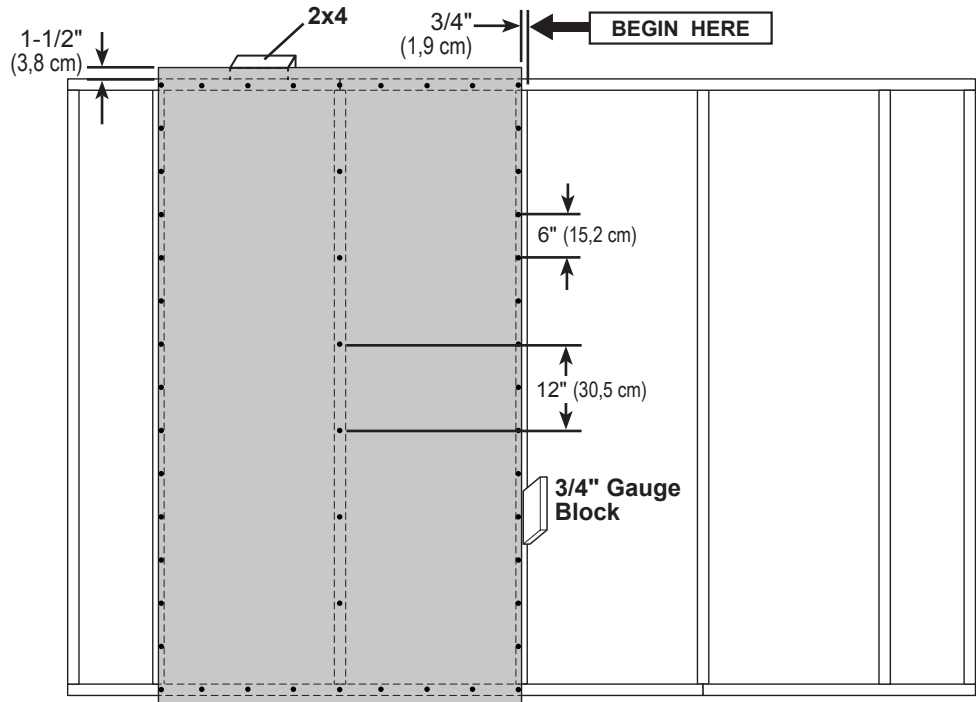


**2**

Install 48" x 84" panel 1-1/2" from the top plate.

Use a 2x4 spacer for consistent measurement.

Secure panel with 2" nails spaced 6" apart on edges and 12" inside panel.

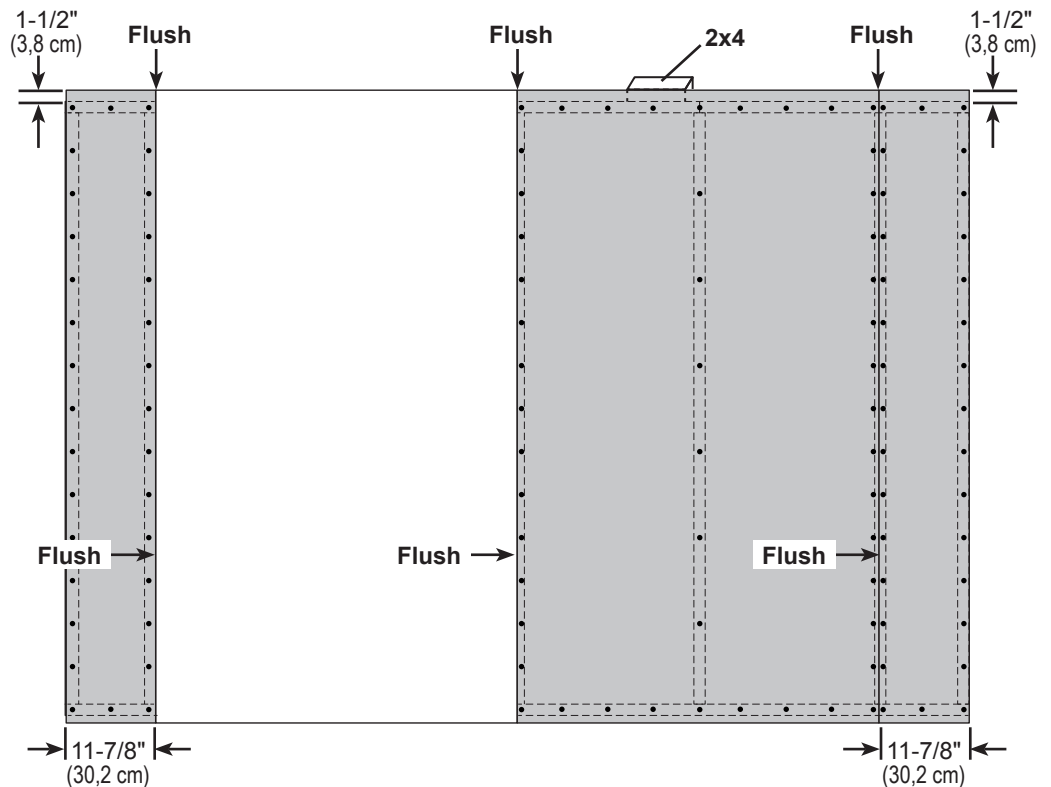


**3**

Install the 48" x 84" and (2) 11-7/8" x 84" panels flush to installed panels.

Locate panels 1-1/2" from the top plate.

Secure with 2" nails spaced 6" apart on edges and 12" apart inside panel.



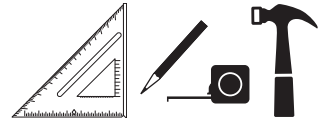
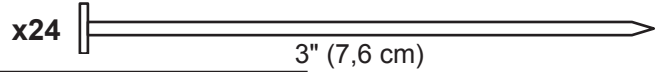
Your 10' WALL 03 is now assembled.

Carefully flip the wall over.

# 12' WALL 04

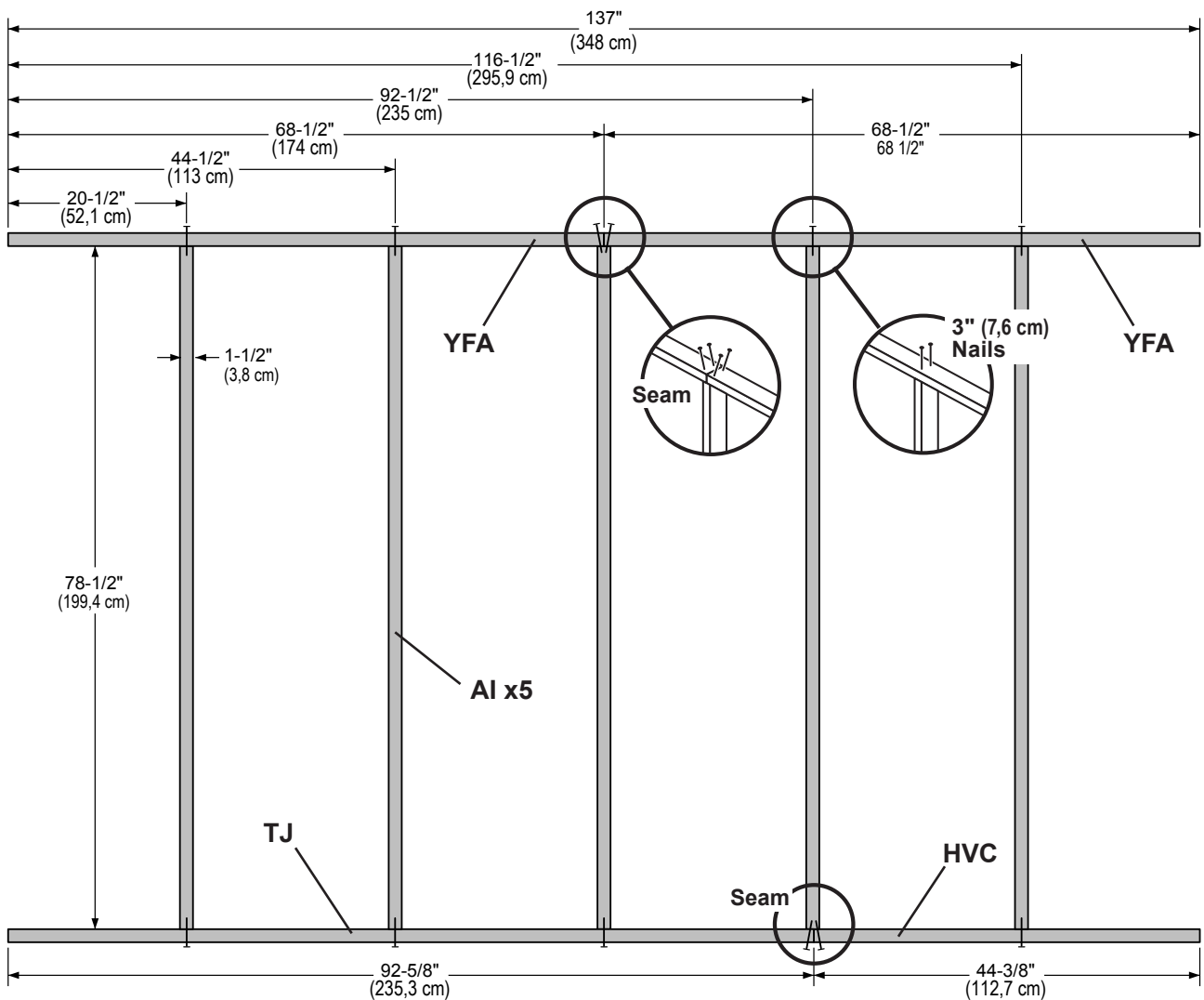
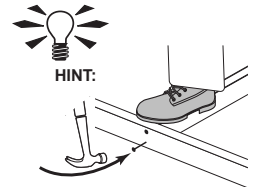
## PARTS REQUIRED:

- x1 **HVC**  
2 x 4 x 44-3/8" (5,1 x 10,2 x 112,7 cm)
- x1 **TJ**  
2 x 4 x 92-5/8" (5,1 x 10,2 x 235,3 cm)
- x2 **YFA**  
2 x 4 x 68-1/2" (5,1 x 10,2 x 174 cm)
- x5 **AI**  
2 x 4 x 78-1/2" (5,1 x 10,2 x 199,4 cm)



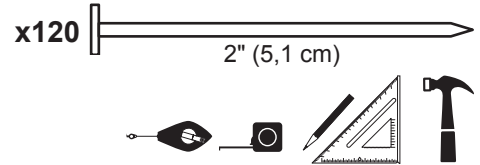
### ✓ BEGIN

- 1 Orient parts on edge on floor. Measure and mark from end of boards.  
Secure with (2) 3" nails at each connection and (4) 3" nails at seams.



# 12' WALL 04

## PARTS REQUIRED:

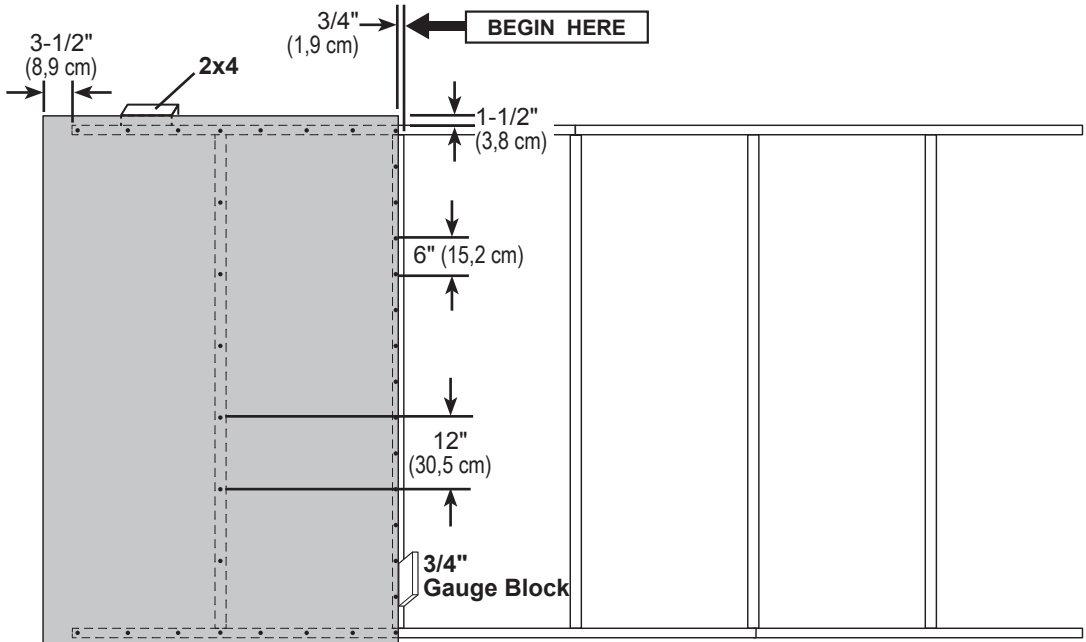


2

Install 48" x 84" panel 1-1/2" from the top plate.

Use a 2x4 spacer for consistent measurement.

Secure panel with 2" nails spaced 6" apart on edges and 12" inside panel.

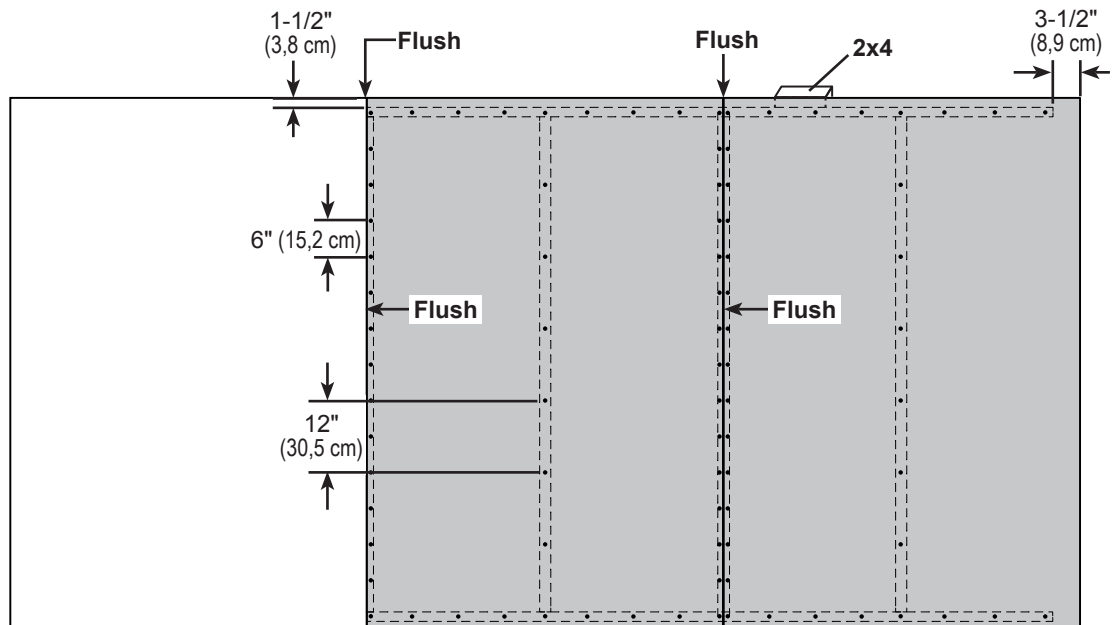


3

Install (2) 48" x 84" panels flush to installed panels.

Locate panels 1-1/2" from the top plate.


Secure with 2" nails spaced 6" apart on edges and 12" apart inside panel.



Your 12' WALL 04 is now assembled.

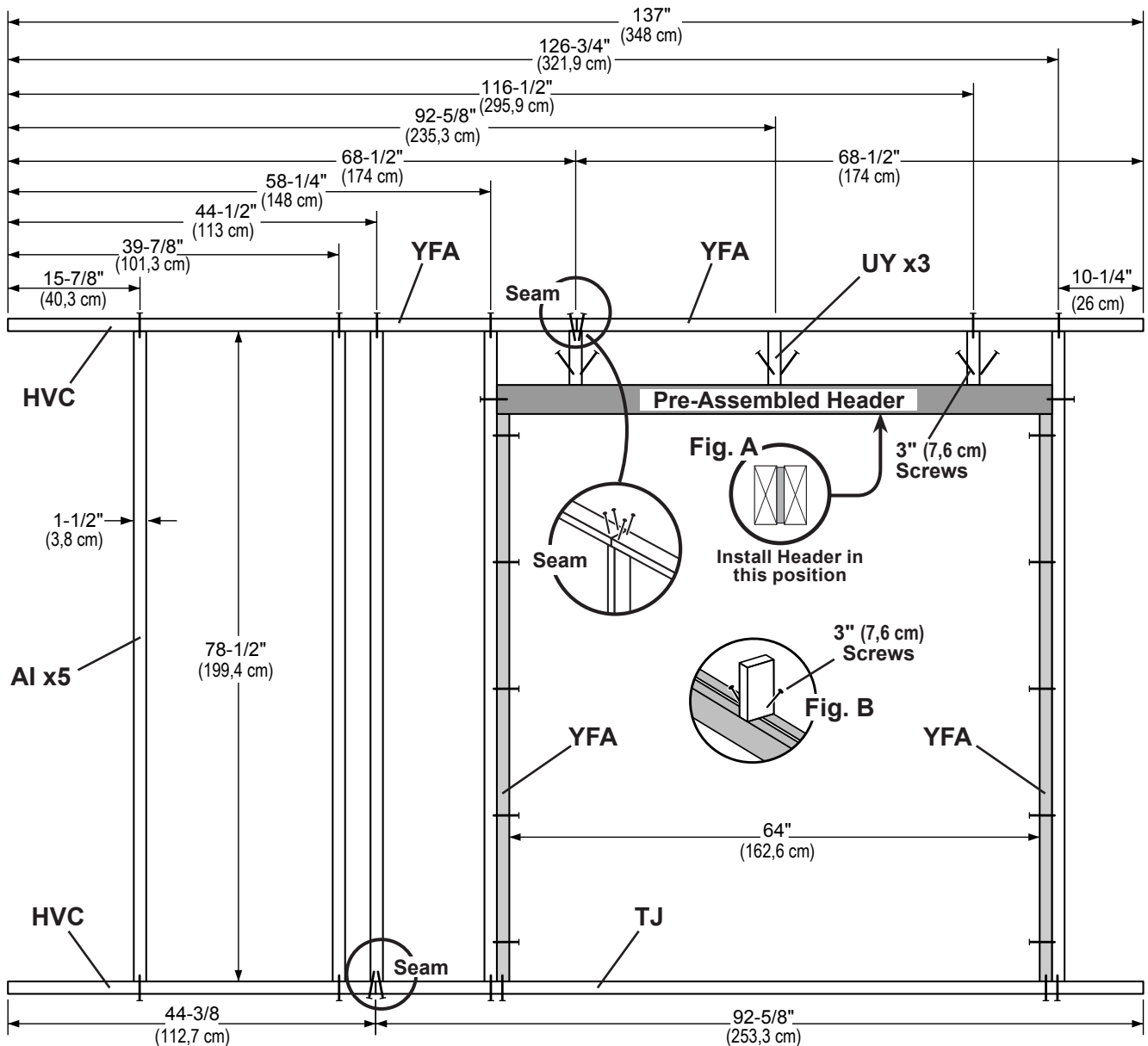
Carefully flip the wall over.

# 12' WALL 05

- PARTS REQUIRED:**
- x3 **UY** 2 x 4 x 6-1/2" (5,1 x 10,2 x 16,5 cm)
  - x58 3" (7,6 cm)
  - x2 **HVC** 2 x 4 x 44-3/8" (5,1 x 10,2 x 112,7 cm)
  - x6 3" (7,6 cm)
  - x5 **AI** 2 x 4 x 78-1/2" (5,1 x 10,2 x 199,4 cm)
  - x1 **TJ** 2 x 4 x 92-5/8" (5,1 x 10,2 x 235,3 cm)
  - x1 **Pre Assembled Header**
  - x4 **YFA** 2 x 4 x 68-1/2" (5,1 x 10,2 x 174 cm)
- 

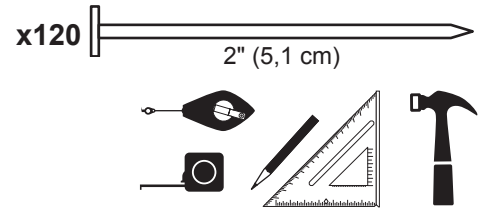
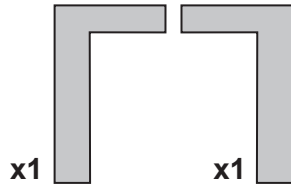
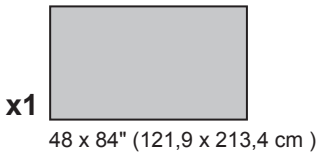
**BEGIN**

- 1** Arrange parts on edge on floor as shown. Measure and mark from end of boards.  
Orient **Pre Assembled Header** on flat side (**Fig. A**).  
Secure with (2) 3" nails at each connection and (4) 3" nails at seams.
- 2** Fasten (3) middle parts **UY** to **Pre Assembled Header** with (2) 3" screws (**Fig. B**).  
Secure parts **UY** to top plates with (2) 3" nails at each connection and (4) 3" nails at seam.



# 12' WALL 05

## PARTS REQUIRED:



**3**

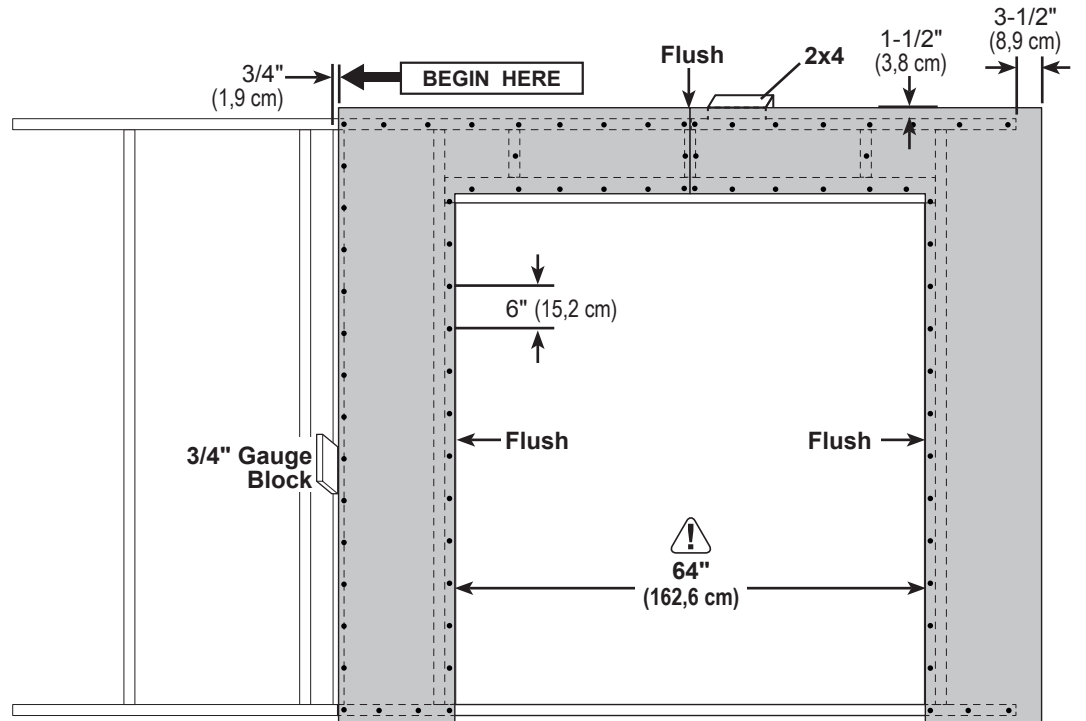
Install the left panel 1-1/2" from the top plate.  
Use a 2x4 spacer for consistent measurement.

Secure panel with 2" nails spaced 6" apart on edges.

**4**

Install the right panel flush to installed panel, as shown.  
Ensure 64" (162,8 cm) door measurement.

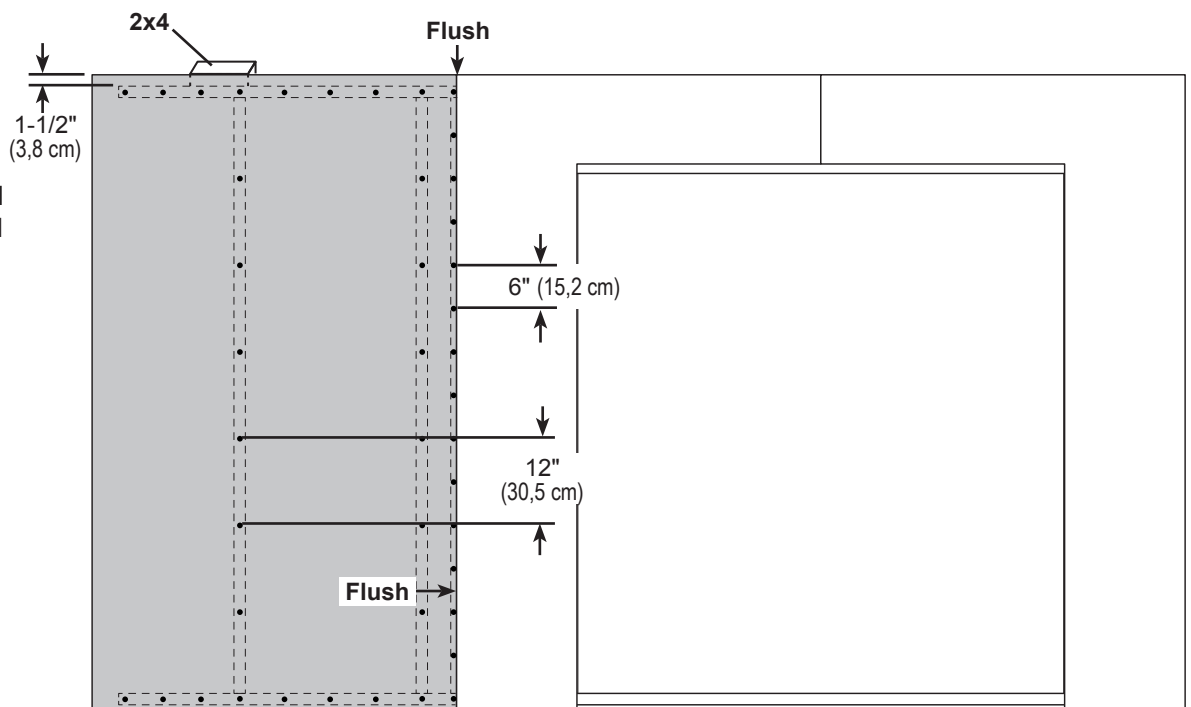
Secure panel with 2" nails spaced 6" apart on edges.



**5**

Install 48" x 84" panel flush to installed panel and 1-1/2" from the top plate.

Secure panels with 2" nails spaced 6" apart on edges.



Your 12' WALL 05 is now assembled.  
Carefully flip the wall over.

# 16' WALL 06

## PARTS REQUIRED:

x1 **HVC** 2 x 4 x 44-3/8" (5,1 x 10,2 x 112,7 cm)

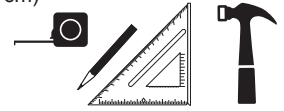
x2 **SP** 2 x 4 x 48" (5,1 x 10,2 x 121,9 cm)

x7 **AI** 2 x 4 x 78-1/2" (5,1 x 10,2 x 199,4 cm)

x1 **TJ** 2 x 4 x 92-5/8" (5,1 x 10,2 x 235,3 cm)

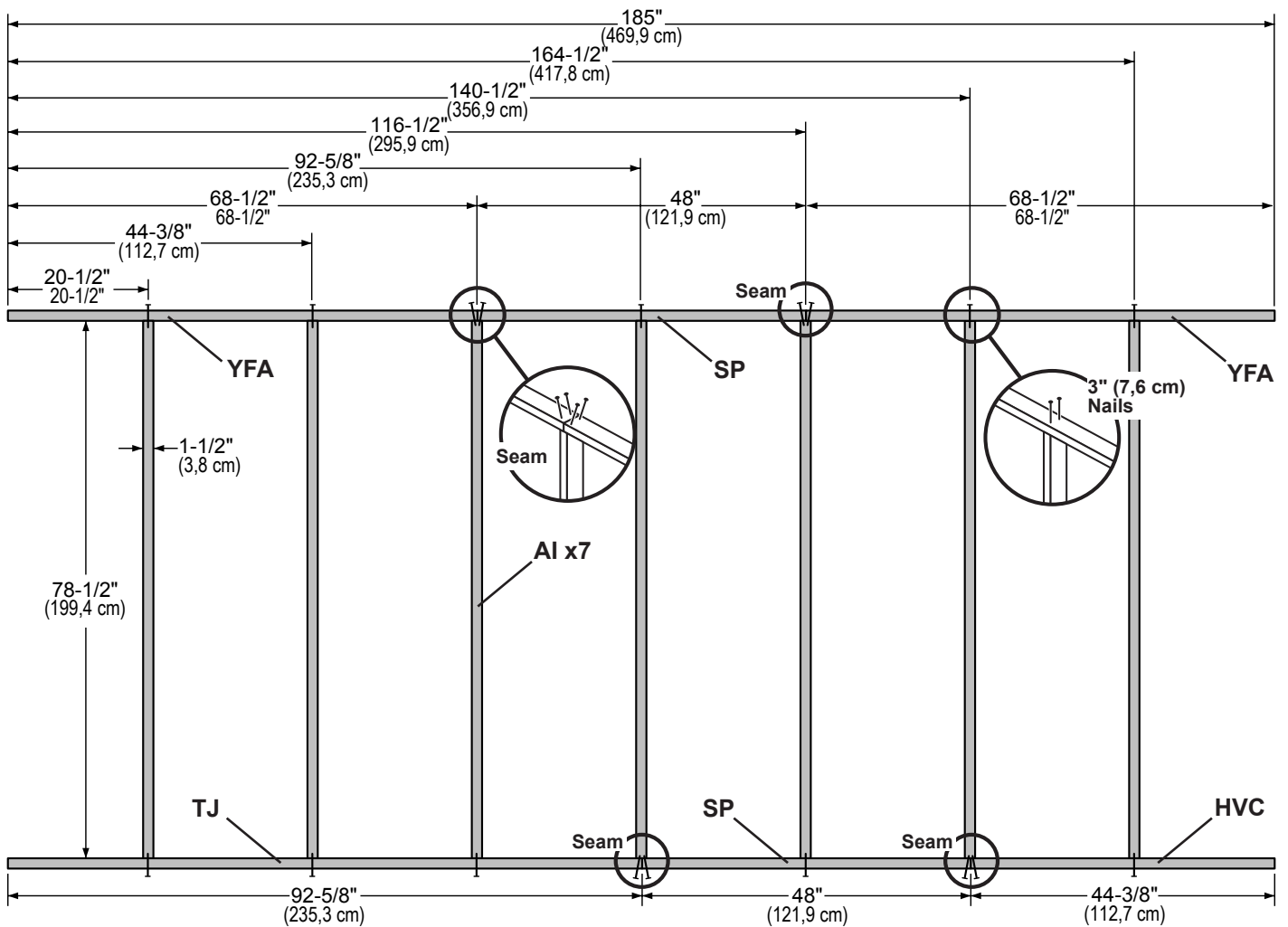
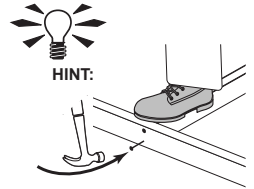
x36 **3"** (7,6 cm)

x2 **YFA** 2 x 4 x 68-1/2" (5,1 x 10,2 x 174 cm)



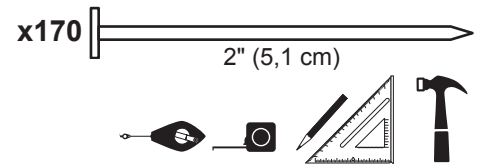
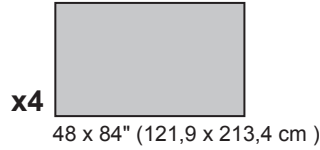
### ✓ BEGIN

- 1 Orient parts on edge on floor. Measure and mark from end of boards.  
Secure with (2) 3" nails at each connection and (4) 3" nails at seams.



# 16' WALL 06

## PARTS REQUIRED:

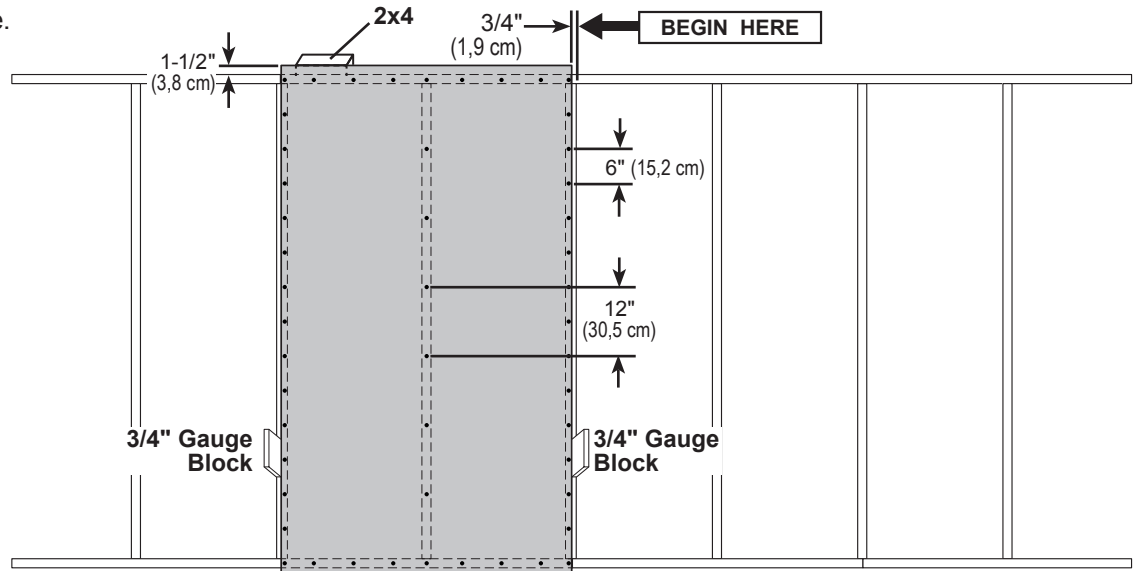


**2**

Install 48" x 84" panel 1-1/2" from the top plate.

Use a 2x4 spacer for consistent measurement.

Secure panel with 2" nails spaced 6" apart on edges and 12" inside panel.

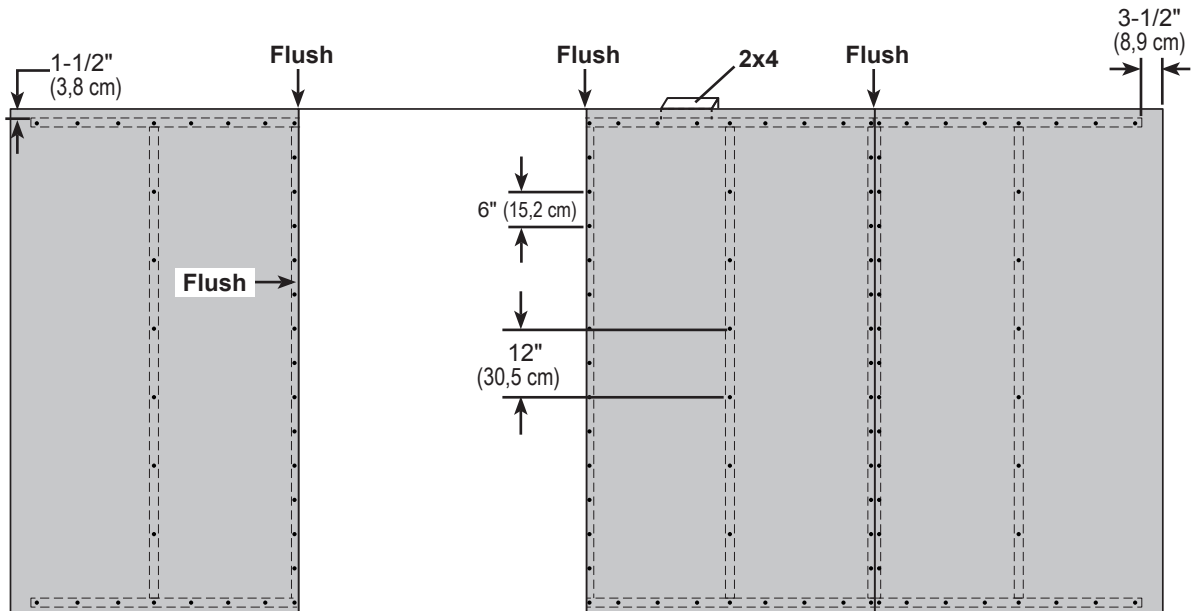


**3**

Install (3) 48" x 84" panels flush to installed panels.

Locate panels 1-1/2" from the top plate.

Secure with 2" nails spaced 6" apart on edges and 12" apart inside panel.

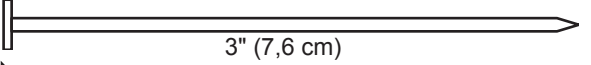



Your 16' WALL 06 is now assembled.

Carefully flip the wall over.

# 16' WALL 07

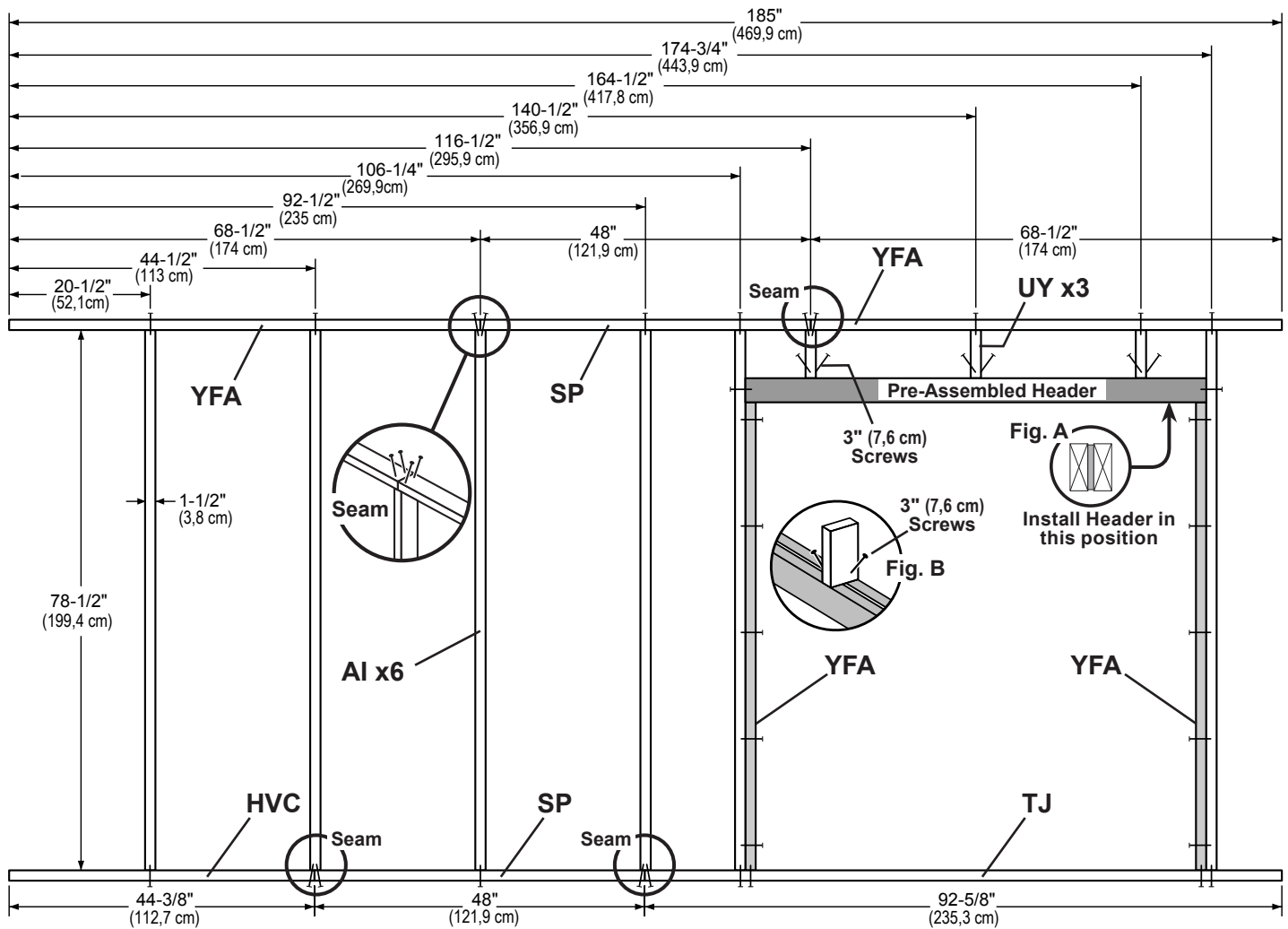
## PARTS REQUIRED:

x3	<b>UY</b>	2 x 4 x 6-1/2" (5,1 x 10,2 x 16,5 cm)	x66		3" (7,6 cm)
x2	<b>SP</b>	2 x 4 x 48" (5,1 x 10,2 x 121,9 cm)	x6		3" (7,6 cm)
x2	<b>UM</b>	2 x 4 x 68" (5,1 x 10,2 x 172,7 cm)	x1	<b>HVC</b>	2 x 4 x 44-3/8" (5,1 x 10,2 x 112,7 cm)
x4	<b>YFA</b>	2 x 4 x 68-1/2" (5,1 x 10,2 x 174 cm)	x6	<b>AI</b>	2 x 4 x 78-1/2" (5,1 x 10,2 x 199,4 cm)
	<b>Pre Assembled Header</b>		x1	<b>TJ</b>	2 x 4 x 92-5/8" (5,1 x 10,2 x 235,3 cm)
x1					



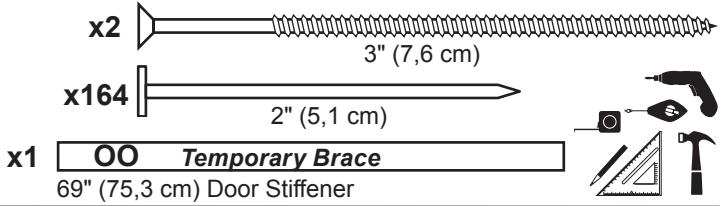
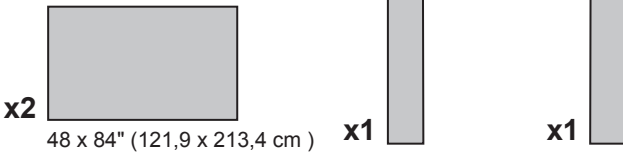
### ✓ BEGIN

- 1** Orient parts on edge on floor as shown. Measure and mark from end of boards.  
 Orient **Pre Assembled Header** on flat side (**Fig. A**).  
 Secure with (2) 3" nails at each connection and (4) 3" nails at seams.
- 2** Fasten (3) middle parts **UY** to **Pre Assembled Header** with (2) 3" screws (**Fig. B**).  
 Secure parts **UY** to top plates with (2) 3" nails at each connection and (4) 3" nails at seam.



# 16' WALL 07

## PARTS REQUIRED:



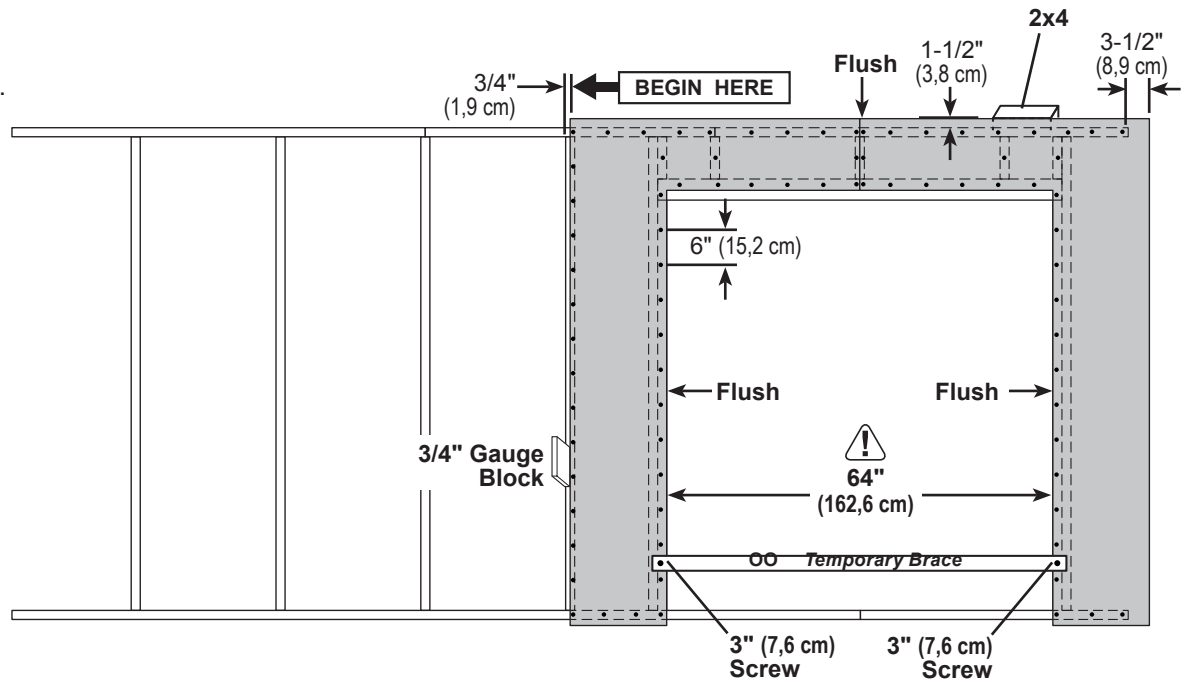
**3**

Install the left panel 1-1/2" from the top plate. Use a 2x4 spacer for consistent measurement.

Secure panel with 2" nails spaced 6" apart on edges.

**4**

Install the right panel flush to installed panel, as shown. Ensure 64" (162,8 cm) door measurement. Use part OO as a temporary brace. Secure with with (2) 3" screws.

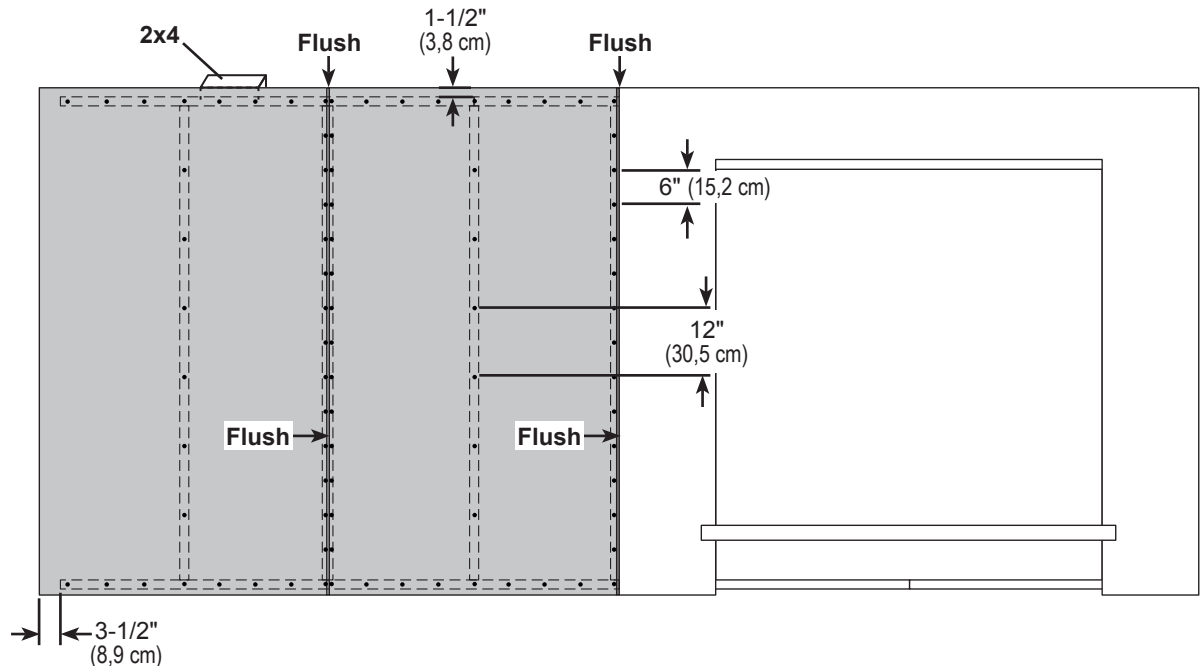


Secure panel with 2" nails spaced 6" apart on edges.

**5**

Install (2) 48" x 84" panels flush to installed panels and 1-1/2" from the top plate.

Secure panels with 2" nails spaced 6" apart on edges.



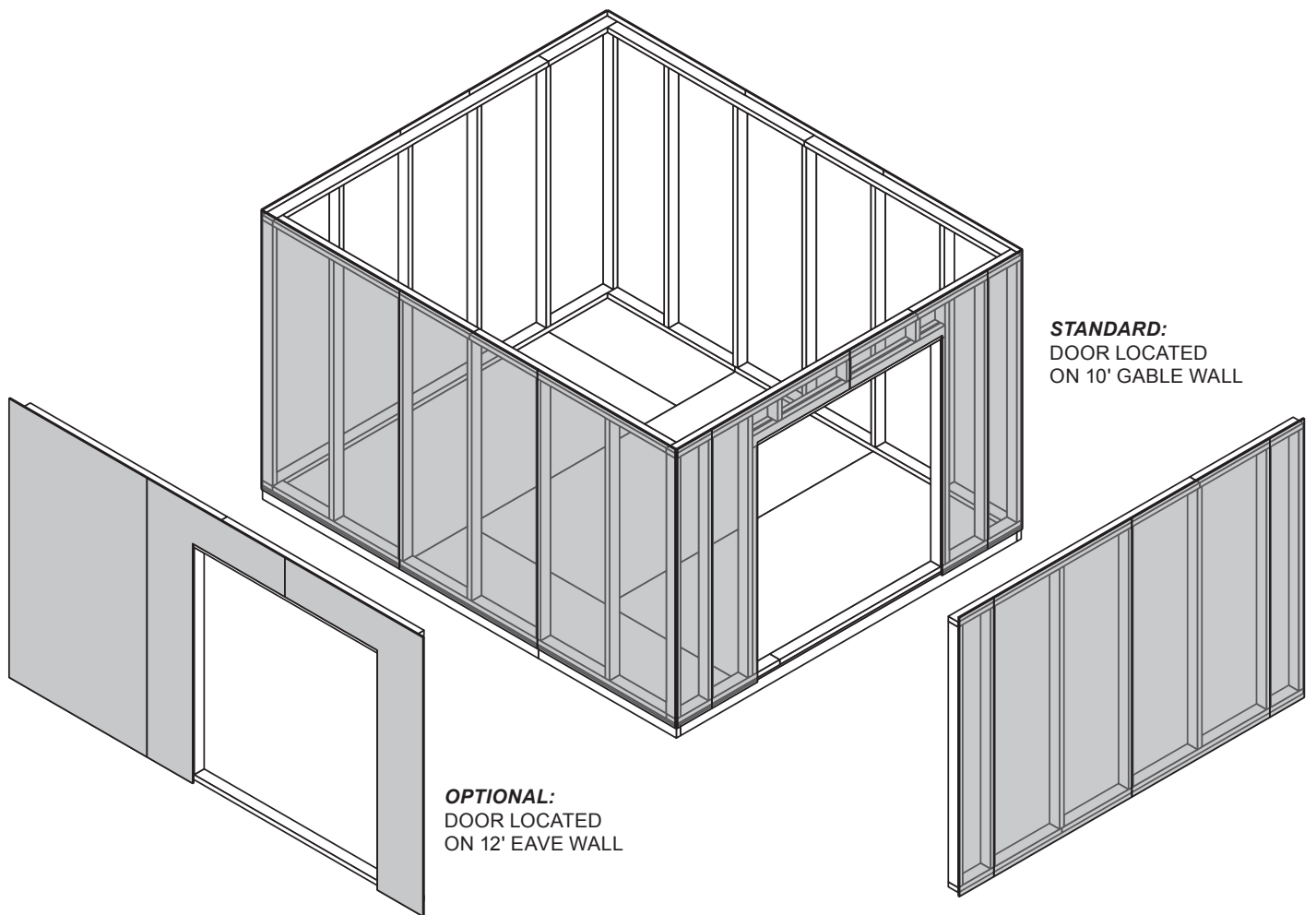
Your 16' WALL 07 is now assembled. Carefully flip the wall over.

## STANDING YOUR WALLS

The following steps show how to stand and secure your walls for a 10' x 12' shed.

These instructions are by default with the door on the 10' gable wall.

For 10' x 16' steps, start on page 38.



# 10' WALL 02 INSTALLATION

## PARTS REQUIRED:

x1 **OO**  
69" (175,3 cm) Door Stiffener

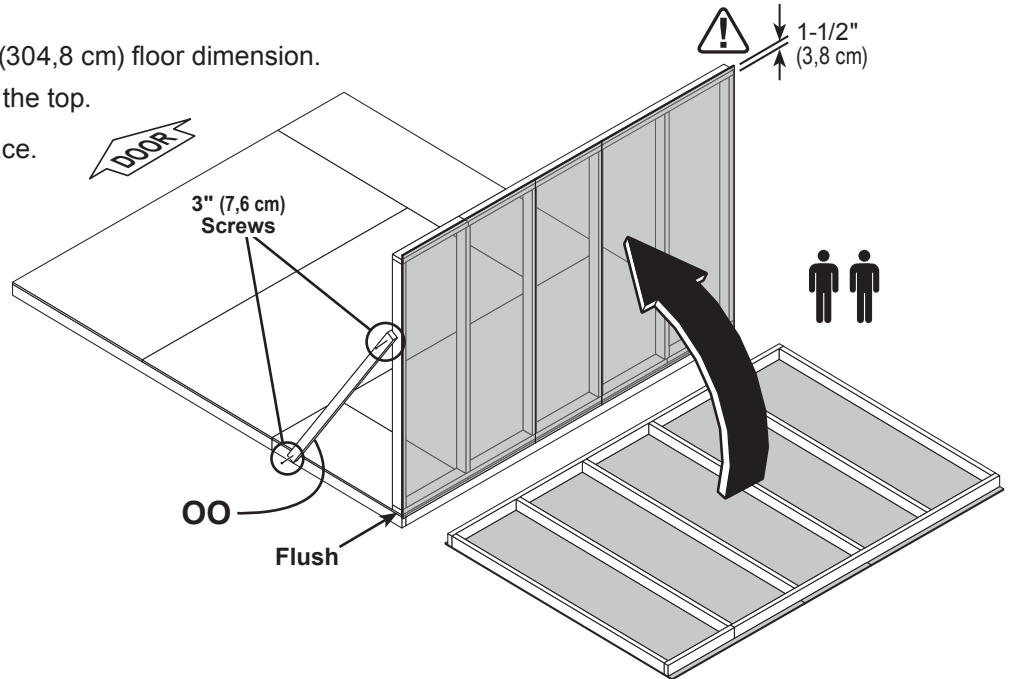


x10 3" (7,6 cm)  
x2 3" (7,6 cm)  
x23 2" (5,1 cm)

### ✓ BEGIN

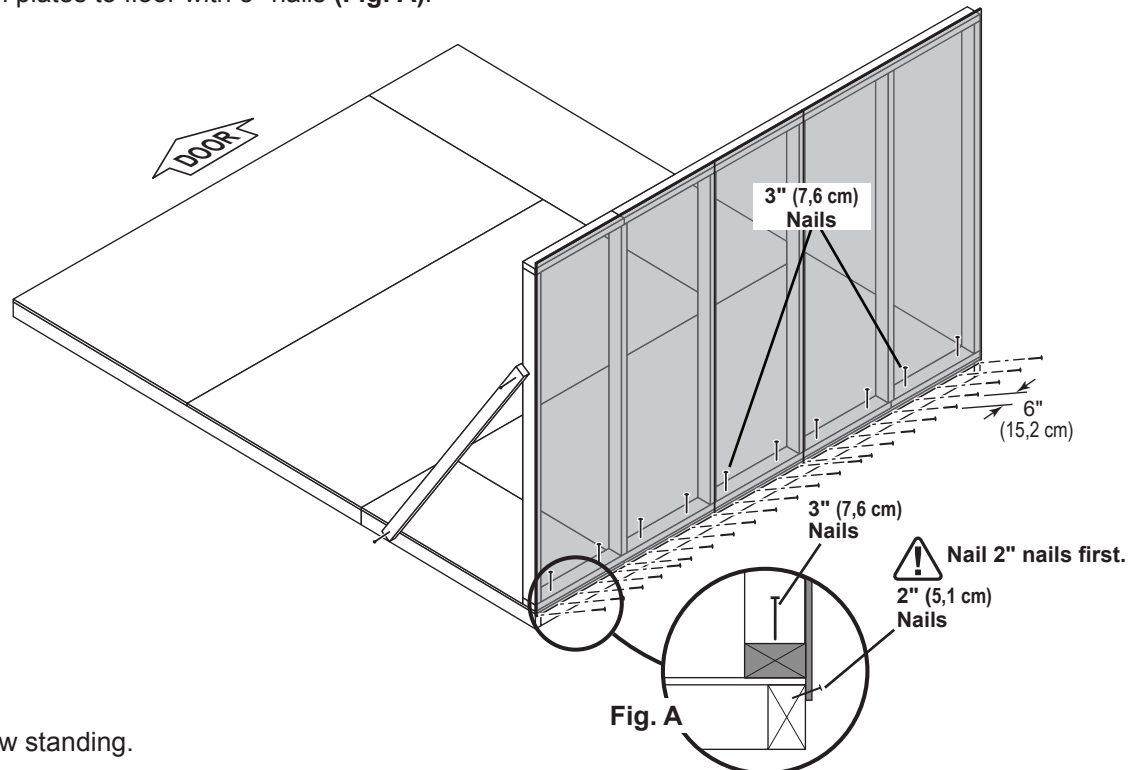
- Center 10' wall on the 120" (304,8 cm) floor dimension.  
1-1/2" (3,8 cm) overlap is to the top.

Use **OO** as a temporary brace.  
Secure with (2) 3" screws.



- Secure lower edge of panel to floor frame with 2" nails spaced 6" apart.  
Angle nails into floor frame (**Fig. A**).

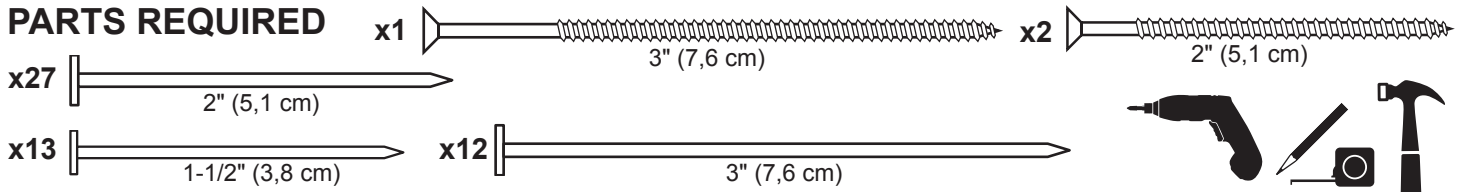
Secure wall bottom plates to floor with 3" nails (**Fig. A**).



Your 10' wall is now standing.

# 12' WALL 04 or 05 INSTALLATION

## PARTS REQUIRED

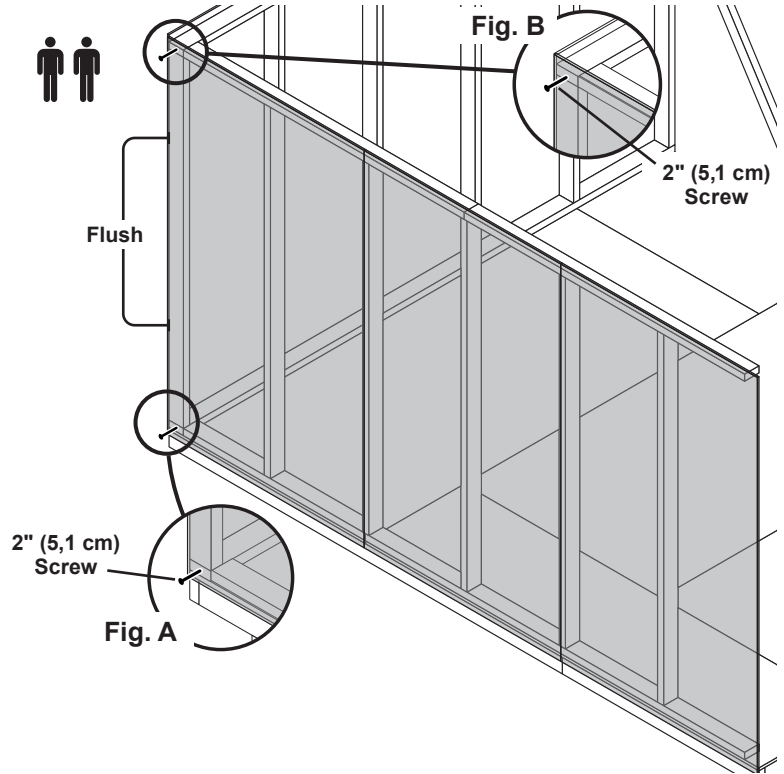
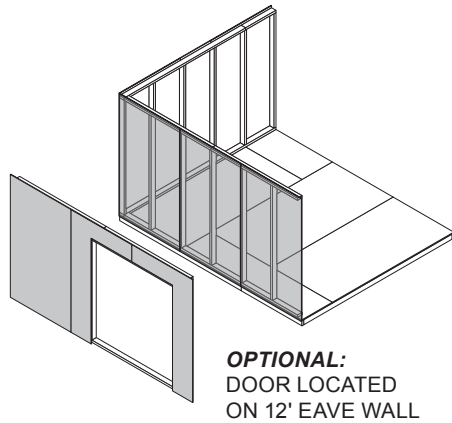


### ✓ BEGIN

- 1 Place 12' wall centered on floor.  
1-1/2" (3,8 cm) overlap is to the top.

Secure wall with (1) 2" screw into 10' wall bottom plate (Fig. A) and top plate (Fig. B).

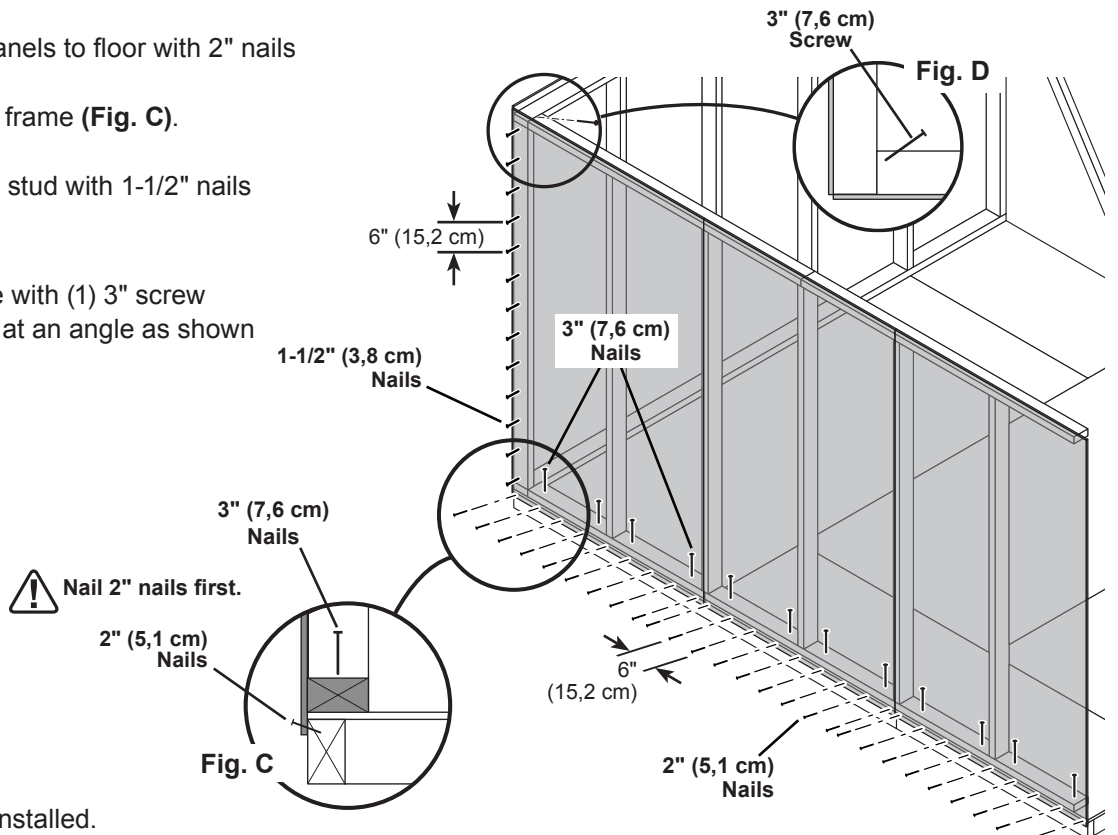
**Secure wall to bottom plate first.**  
**ENSURE PANEL CORNERS ARE FLUSH.**



- 2 Nail lower edge of panels to floor with 2" nails spaced 6" apart.  
Angle nails into floor frame (Fig. C).

Nail panel to 10' wall stud with 1-1/2" nails spaced 6" apart.

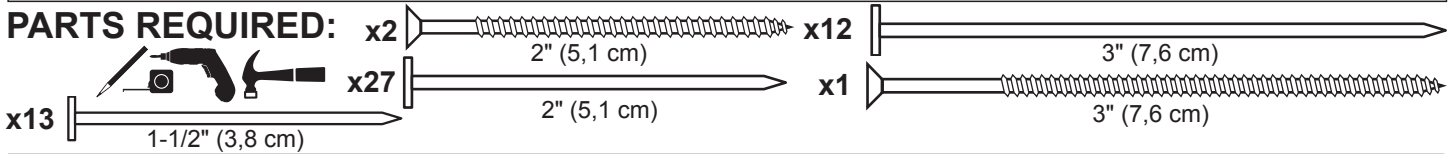
- 3 Secure wall top plate with (1) 3" screw angled at the corner at an angle as shown (Fig. D).



Your 12' wall is now installed.

## 12' WALL 04 INSTALLATION

### PARTS REQUIRED:



#### ✓ BEGIN

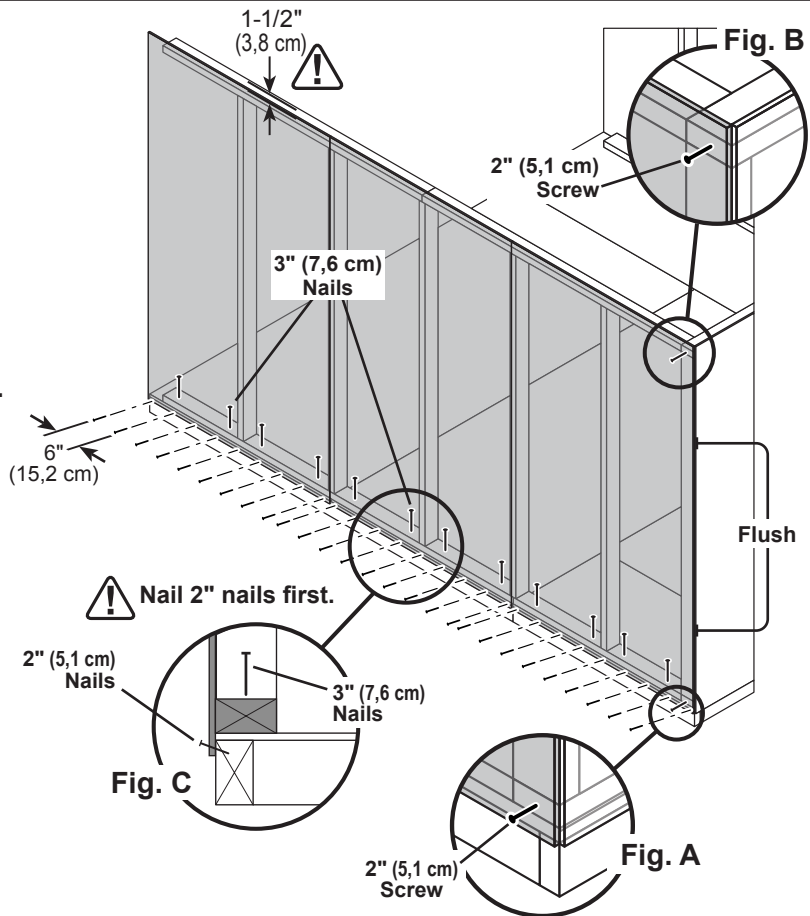
- 1** Remove temporary brace **OO** from installed 10' wall.  
 Place 12' wall centered on floor.  
 1-1/2" (3,8 cm) overlap is to the top.

- 2** Secure wall with (1) 2" screw through gable wall panel into 10' wall bottom and top plates (**Fig. B, Fig. A**).  
**Secure wall to bottom plate first.**

**⚠ ENSURE PANEL CORNERS ARE FLUSH.**

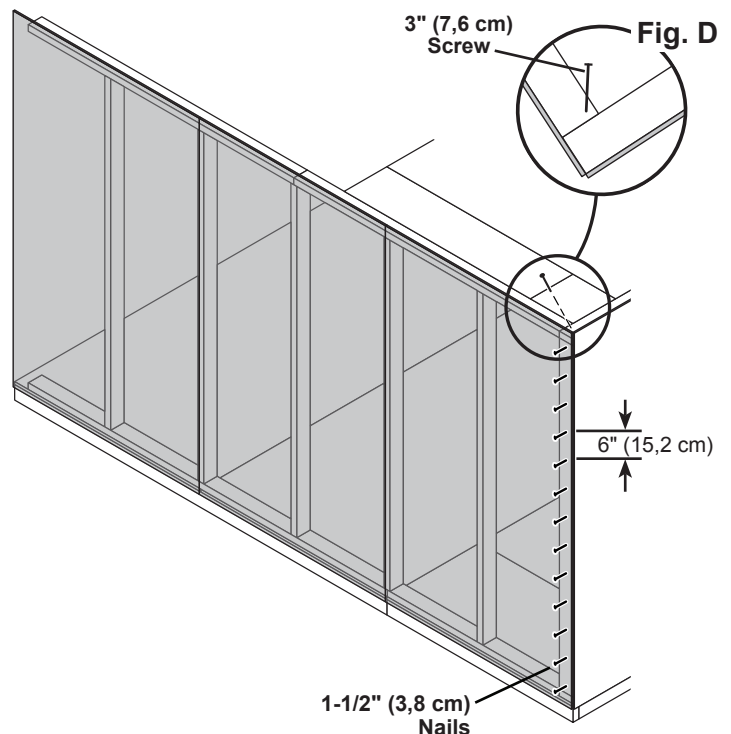
- 3** Nail lower edge of wall panels to floor frame with 2" nails spaced 6" apart.  
 Angle nails into floor frame (**Fig. C**).

Secure wall bottom plates to floor with 3" nails (**Fig. C**).



- 4** Nail 12' wall panel to 10' wall stud with 1-1/2" nails spaced 6" apart.

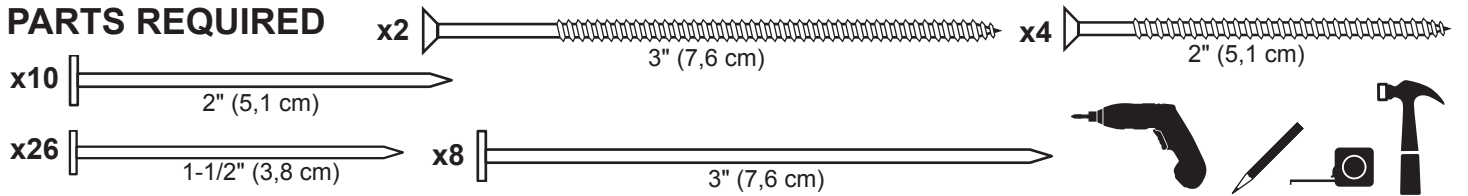
- 5** Secure gable wall top plate with (1) 3" screw at the corner at an angle as shown (**Fig. D**).



Your 2nd 12' wall is now installed.

# 10' WALL 01 or 03 INSTALLATION

## PARTS REQUIRED



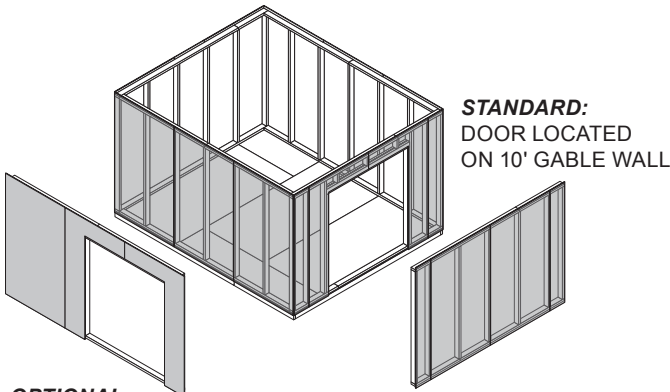
### ✓ BEGIN

**1** Place 10' wall on floor centered between 12' walls.

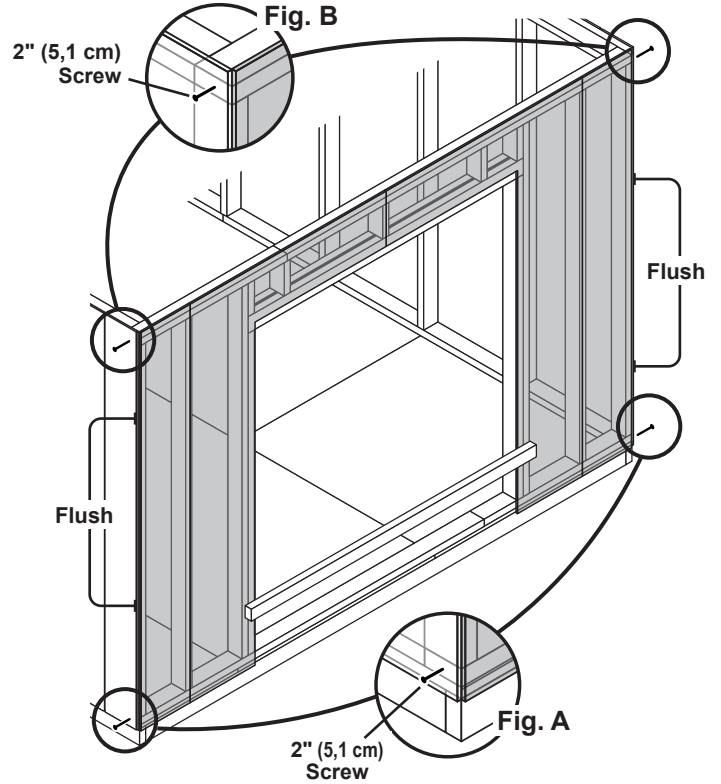
Secure wall with 2" screws into top and bottom plates (Fig. A, Fig. B).

*Secure wall to bottom plate first.*

**⚠ ENSURE PANEL CORNERS ARE FLUSH. ⚠**



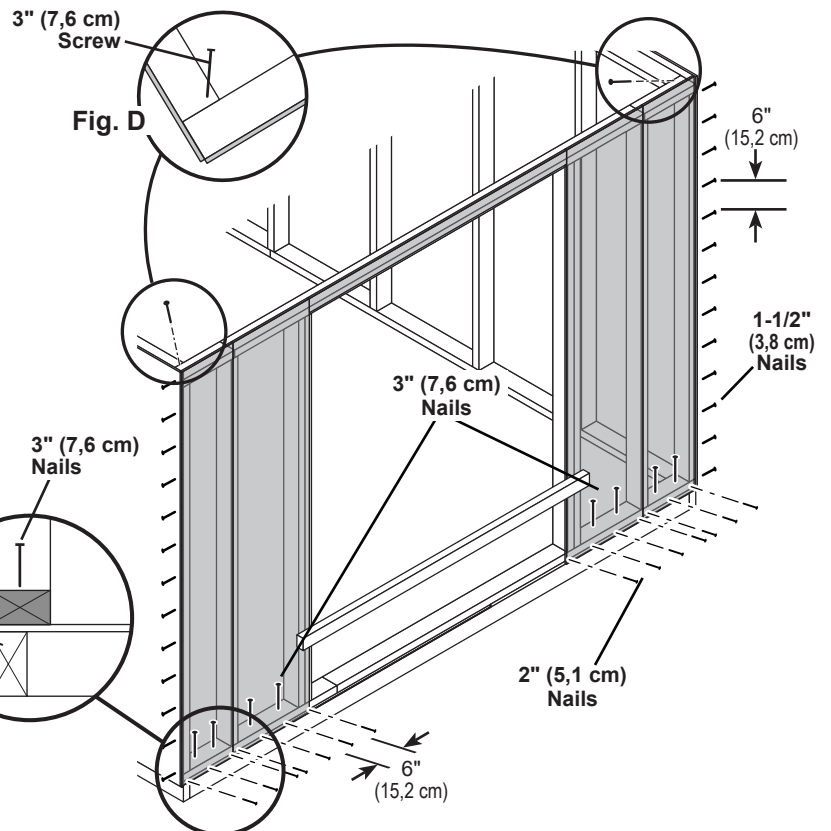
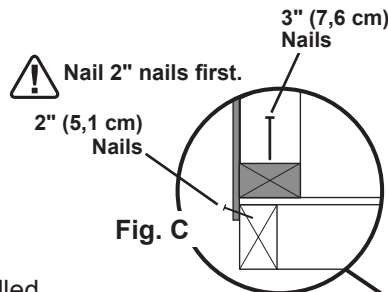
**OPTIONAL:**  
DOOR LOCATED  
ON 12' EAVE WALL



**2** Nail lower edge of panels to floor with 2" nails spaced 6" apart. Angle nails into floor frame (Fig. C).

Nail panels to 10' wall studs with 1-1/2" nails spaced 6" apart.

**3** Secure wall top plates with 3" screws at each corner at an angle (Fig. D).



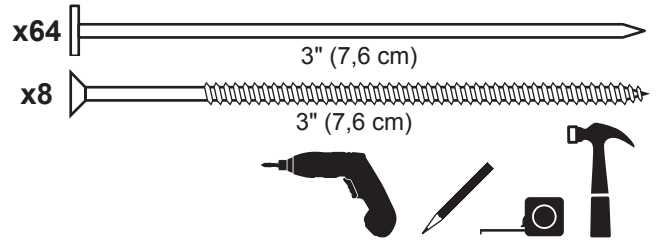
**FINISH**  
Your walls are now installed.

**CUT OUT AND REMOVE BOTTOM PLATE AT DOOR OPENING.**

# 10' x 12' WALL DOUBLERS INSTALLATION

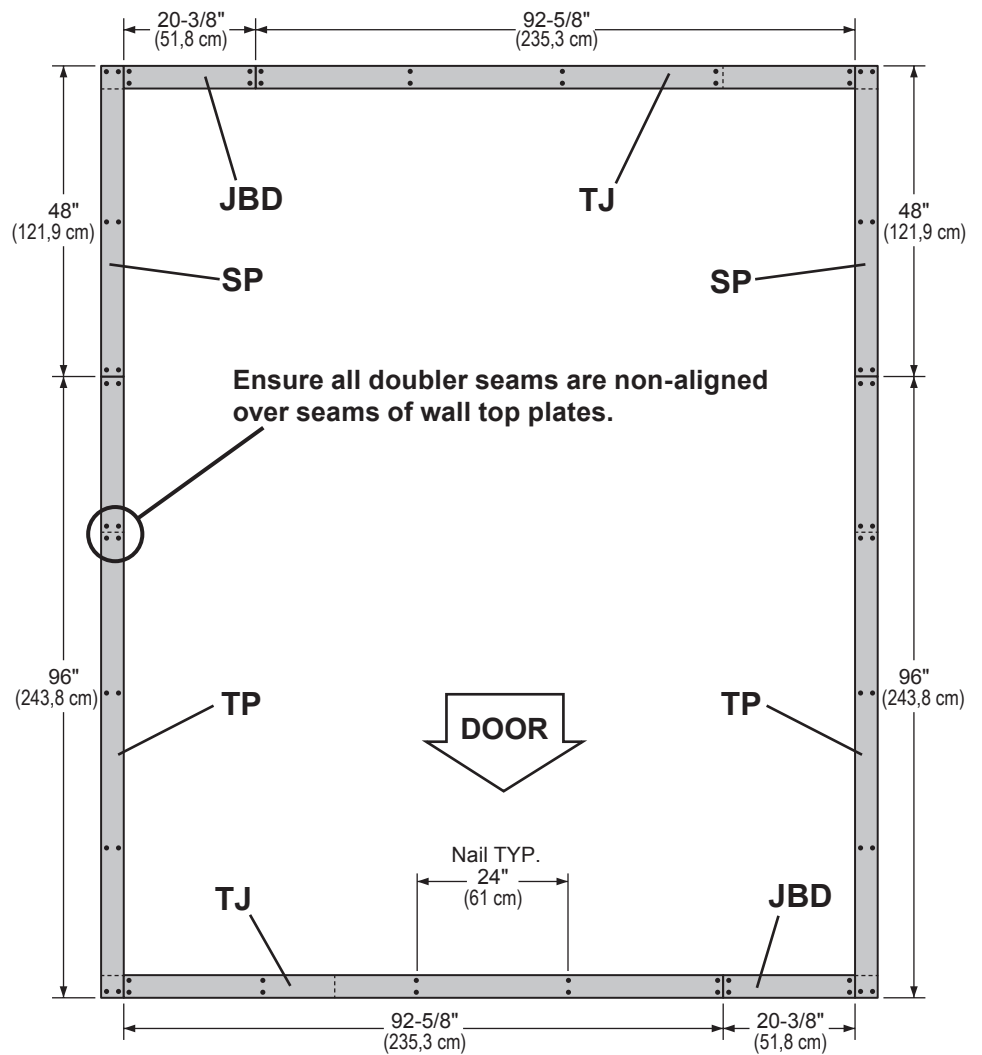
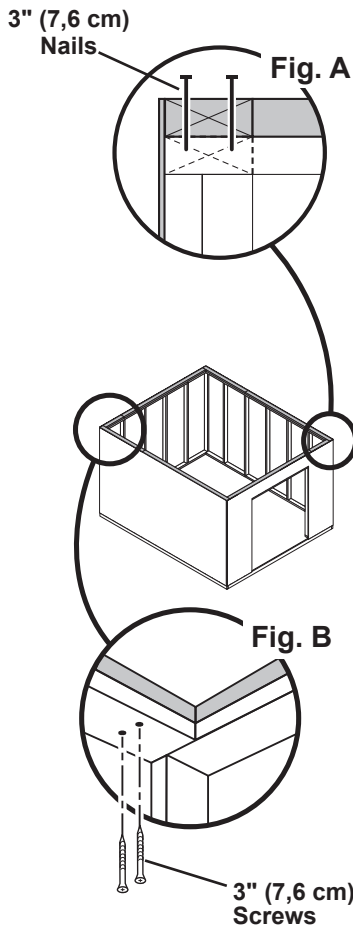
## PARTS REQUIRED:

- x2 **SP**  
2 x 4 x 48" (5,1 x 10,2 x 121,9 cm)
- x2 **JBD**  
2 x 4 x 20-3/8" (5,1 x 10,2 x 51,8 cm)
- x2 **TJ**  
2 x 4 x 92-5/8" (5,1 x 10,2 x 235 cm)
- x2 **TP**  
2 x 4 x 96" (5,1 x 10,2 x 243,8 cm)



### ✓ BEGIN

- 1 Orient parts on top of wall frames. Secure from top with (2) 3" nails spaced every 24" (Fig. A).
- 2 Secure from bottom with (2) 3" screws at each corner (Fig. B).
- 3 Secure from bottom with (2) 3" screws at each corner (Fig. B).



Your wall doublers are now installed.

CONTINUE TO PAGE 44 TO RESUME CONSTRUCTION OF 10' x 12' SHED

# 10' WALL 02 INSTALLATION

## PARTS REQUIRED:

x1 **OO**  
69" (175,3 cm) Door Stiffener



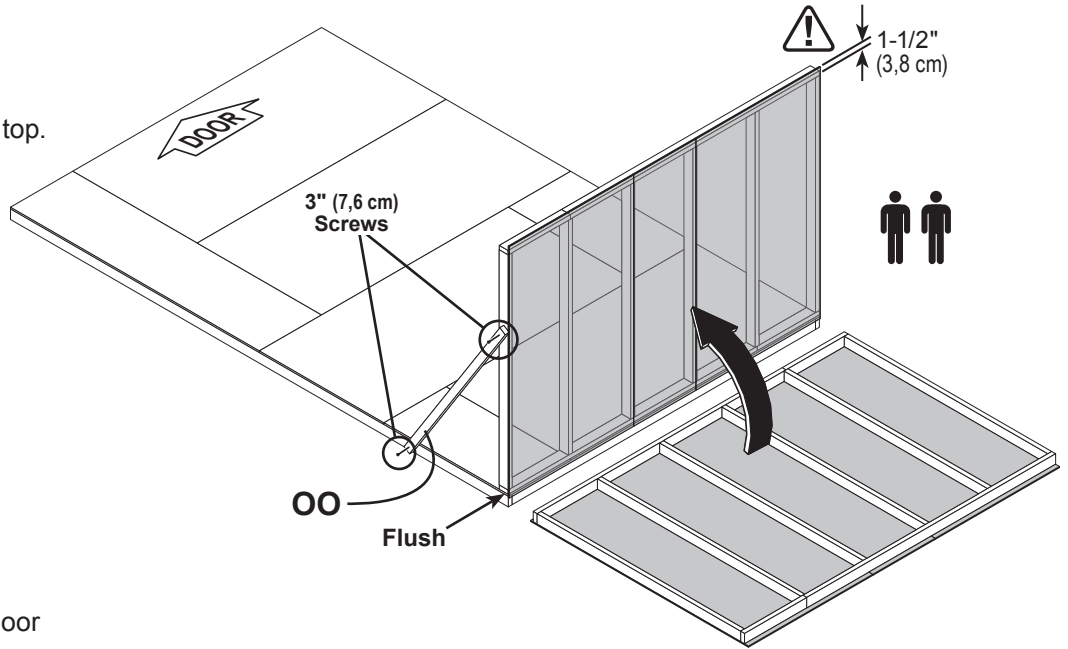
x10 3" (7,6 cm)  
x2 3" (7,6 cm)  
x23 2" (5,1 cm)

### ✓ BEGIN

**1**

Center 10' wall on the 120" (304,8 cm) floor dimension.  
1-1/2" (3,8 cm) overlap is to the top.

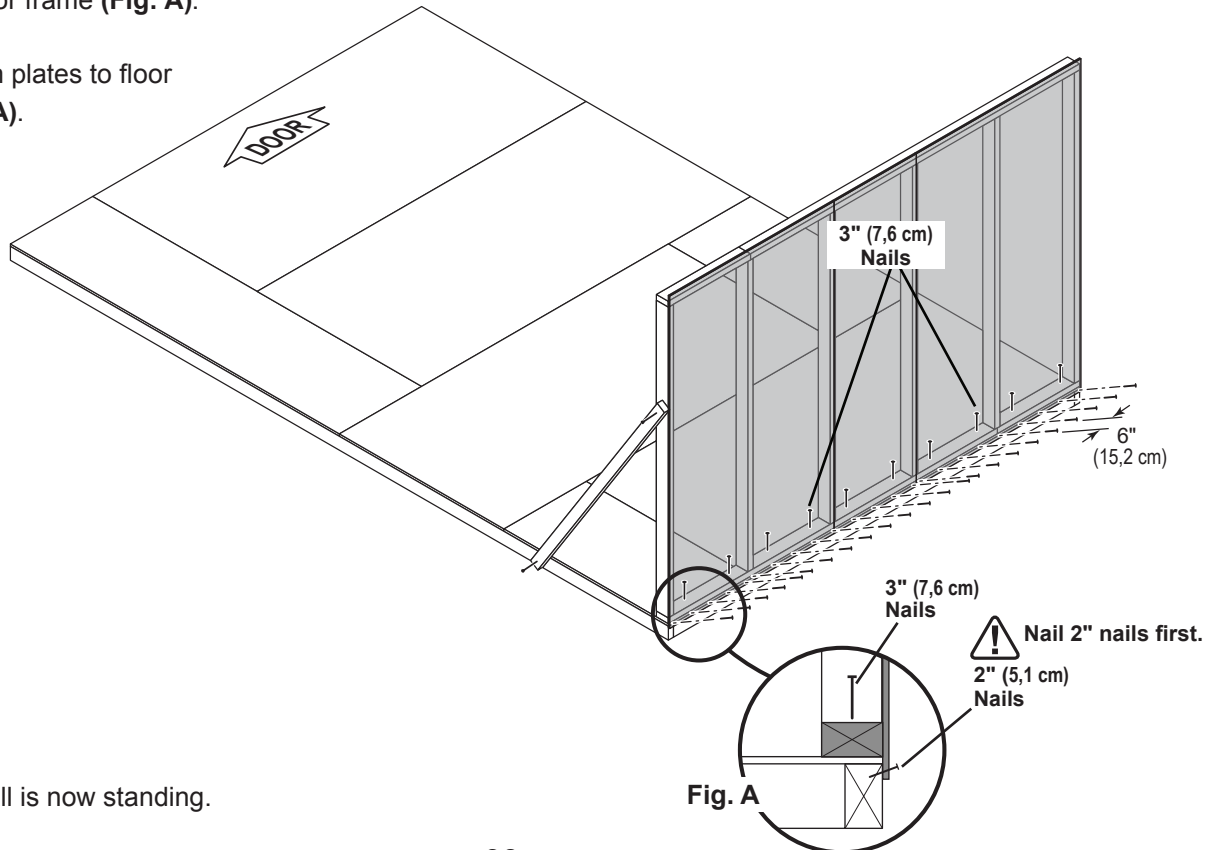
Use **OO** as a temporary brace.  
Secure with (2) 3" screws.



**2**

Secure lower edge of panel to floor frame with 2" nails spaced 6" apart.  
Angle nails into floor frame (**Fig. A**).

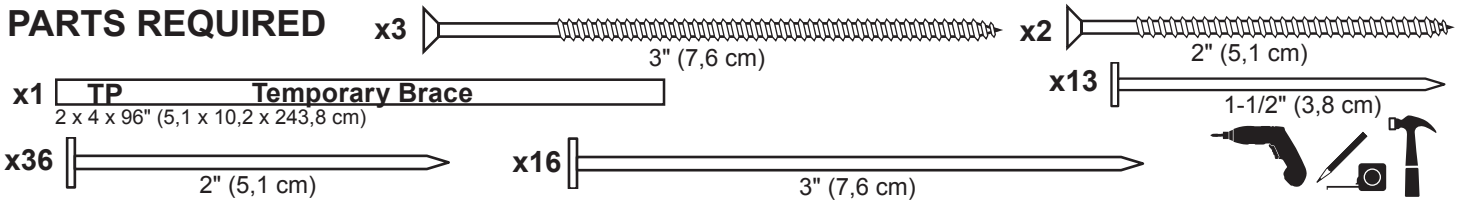
Secure wall bottom plates to floor with 3" nails (**Fig. A**).



Your 10' wall is now standing.

# 16' WALL 06 or 07 INSTALLATION

## PARTS REQUIRED



### ✓ BEGIN 1

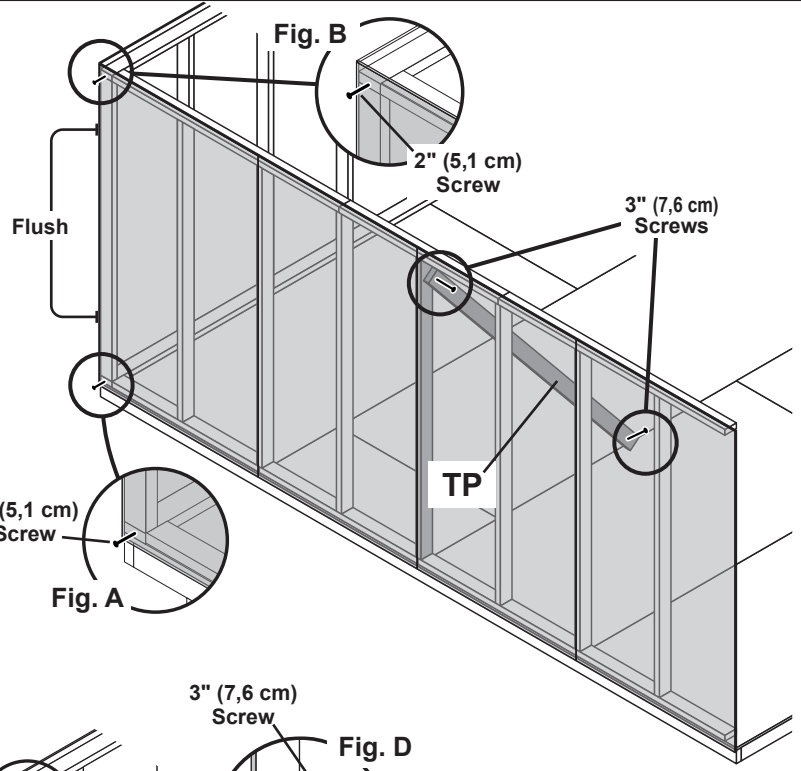


Place 16' wall centered on floor.  
 The 1-1/2" (3,8 cm) overlap is to the top.  
 Use TP as a temporary brace as shown.  
 Secure TP with (2) 3" screws.

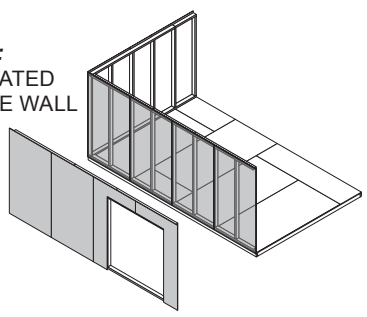
Secure wall with (1) 2" screw into 10' wall bottom plate (Fig. A) and top plate (Fig. B).

**Secure wall to bottom plate first.**

**⚠ ENSURE PANEL CORNERS ARE FLUSH.**



**OPTIONAL:**  
 DOOR LOCATED  
 ON 16' EAVE WALL



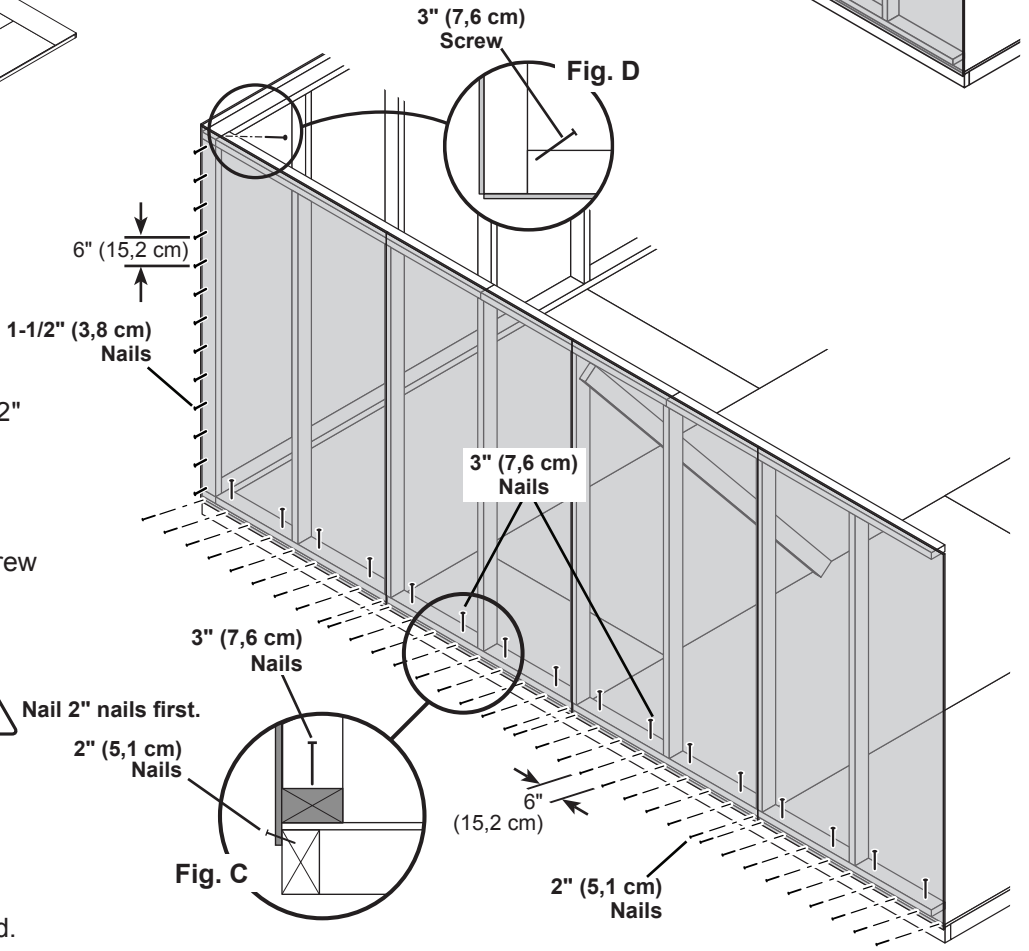
### 2

Nail lower edge of panels to floor with 2" nails spaced 6" apart.  
 Angle nails into floor frame (Fig. C).

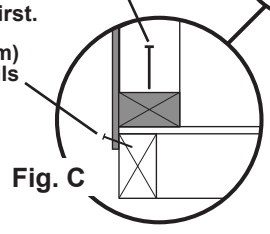
Nail panel to 10' wall stud with 1-1/2" nails spaced 6" apart.

### 3

Secure wall top plate with (1) 3" screw at the corner at an angle as shown (Fig. D).

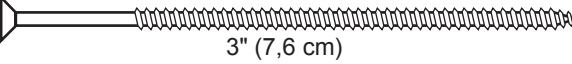
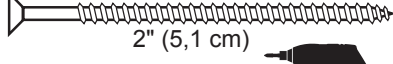




**⚠ Nail 2" nails first.**



Your 16' wall is now installed.

# 16' WALL 06 INSTALLATION

**PARTS REQUIRED:** x2  3" (7,6 cm) x2  2" (5,1 cm) 

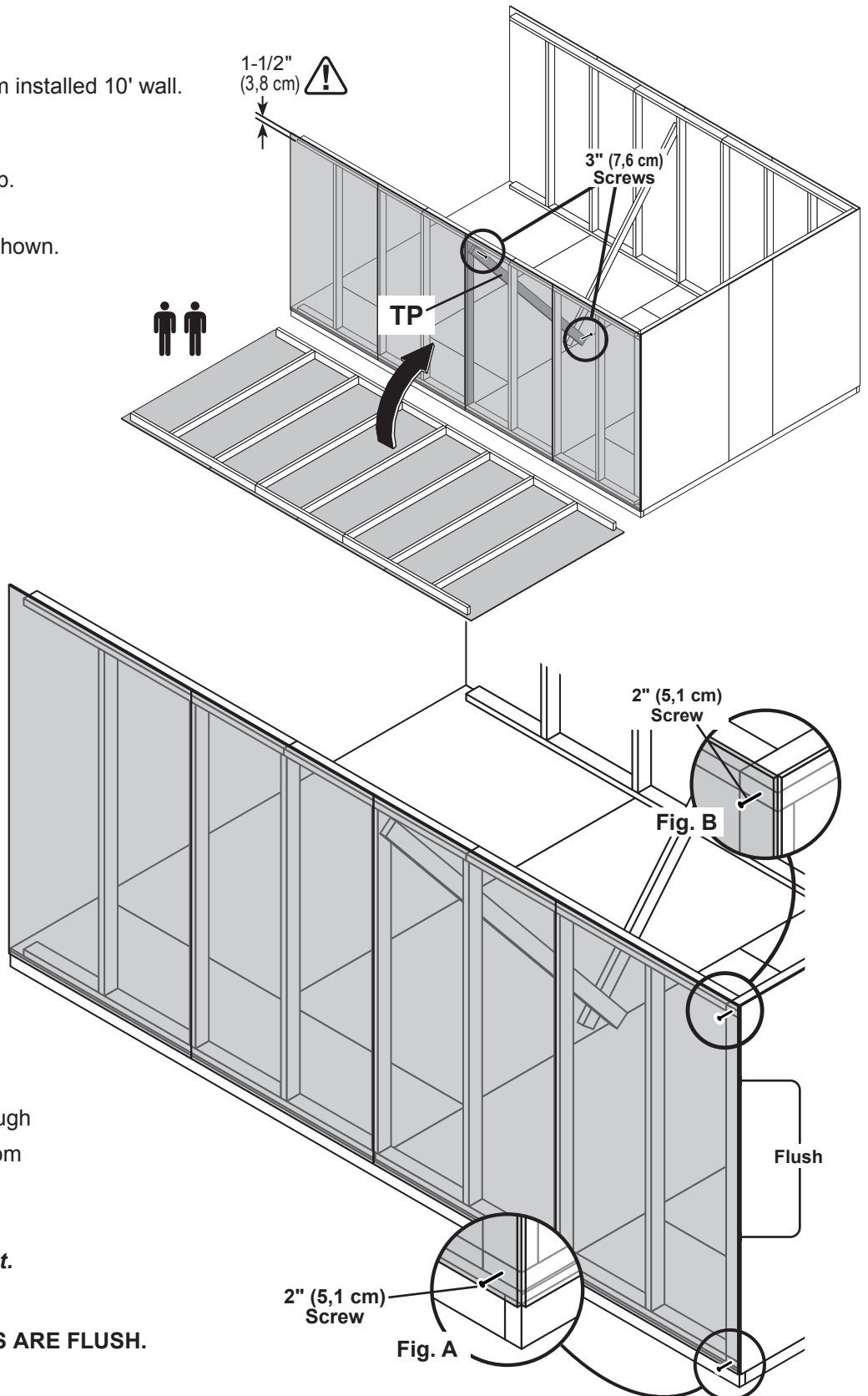
x1  **TP Temporary Brace**  
2 x 4 x 96" (5,1 x 10,2 x 243,8 cm)

✓ **BEGIN**  
**1**

Remove temporary brace **OO** from installed 10' wall.

Place 16' wall centered on floor.  
1-1/2" (3,8 cm) overlap is to the top.

Use **TJ** as a temporary brace as shown.  
Secure **TJ** with (2) 3" screws.



**2**

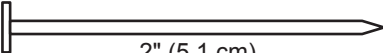
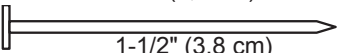
Secure wall with (1) 2" screw through gable wall panel into 10' wall bottom and top plates (**Fig. A**, **Fig. B**).

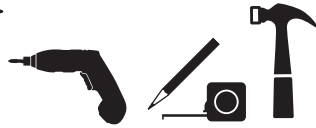
*Secure wall to bottom plate first.*

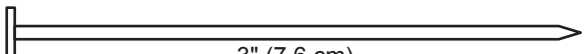
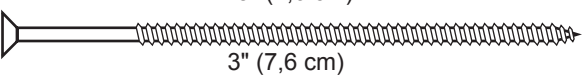
 **ENSURE PANEL CORNERS ARE FLUSH.**

# 16' WALL 06 INSTALLATION

## PARTS REQUIRED:

- x36  2" (5,1 cm)
- x13  1-1/2" (3,8 cm)

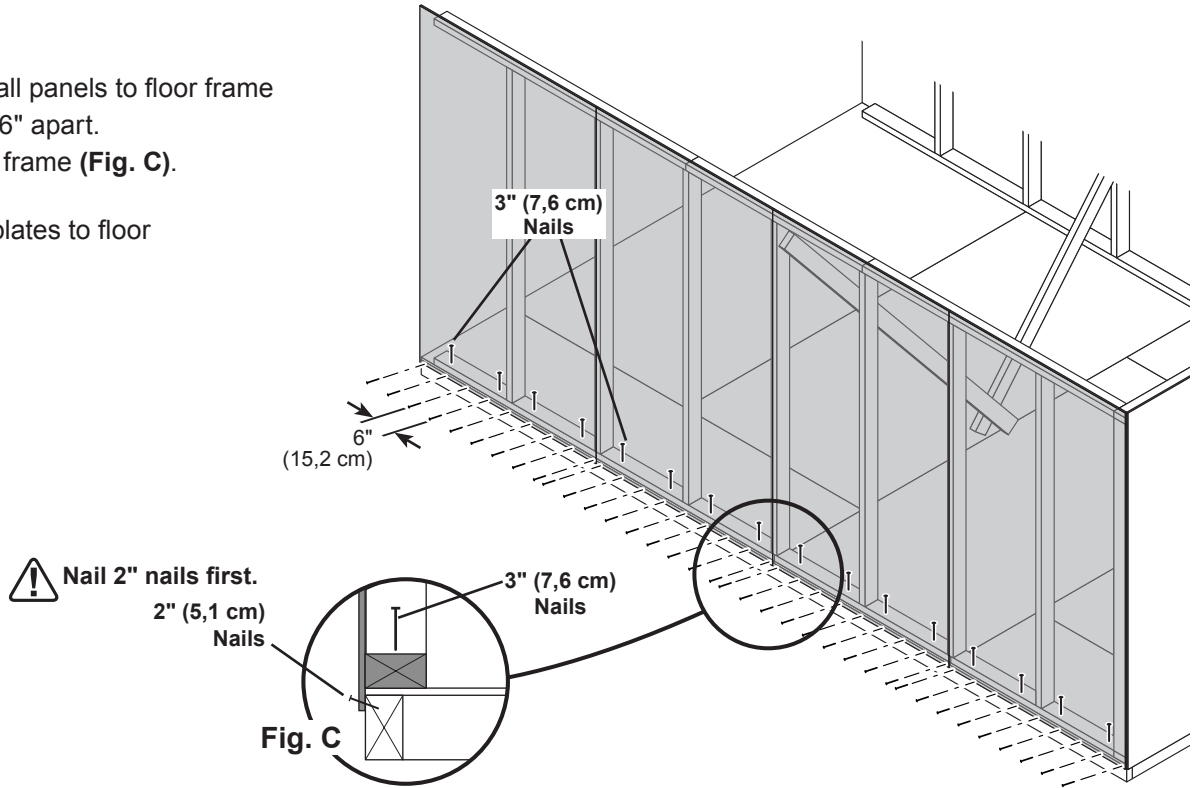


- x16  3" (7,6 cm)
- x1  3" (7,6 cm)

**3**

Nail lower edge of wall panels to floor frame with 2" nails spaced 6" apart. Angle nails into floor frame (**Fig. C**).

Secure wall bottom plates to floor with 3" nails (**Fig. C**).

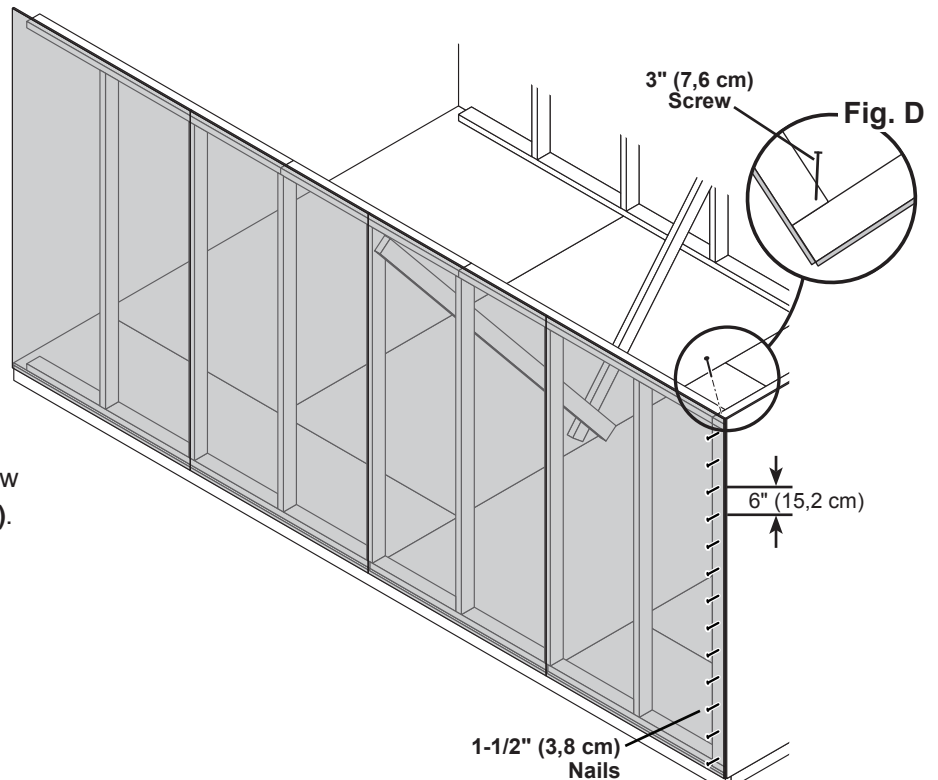


**4**

Nail 12' wall panel to 10' wall stud with 1-1/2" nails spaced 6" apart.

**5**

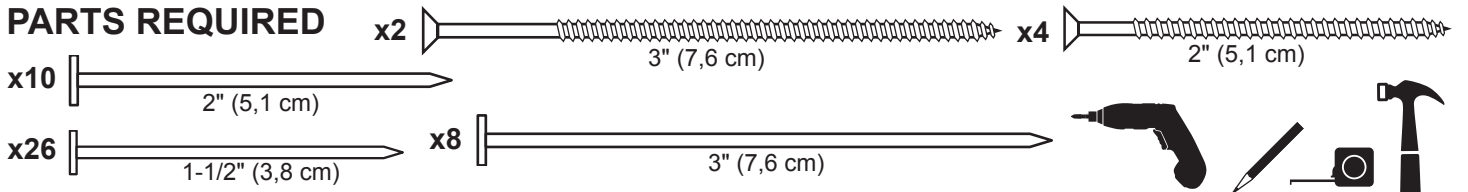
Secure gable wall top plate with (1) 3" screw at the corner at an angle as shown (**Fig. D**).



Your 2nd 16' wall is now installed.

# 10' WALL 01 or 03 INSTALLATION

## PARTS REQUIRED



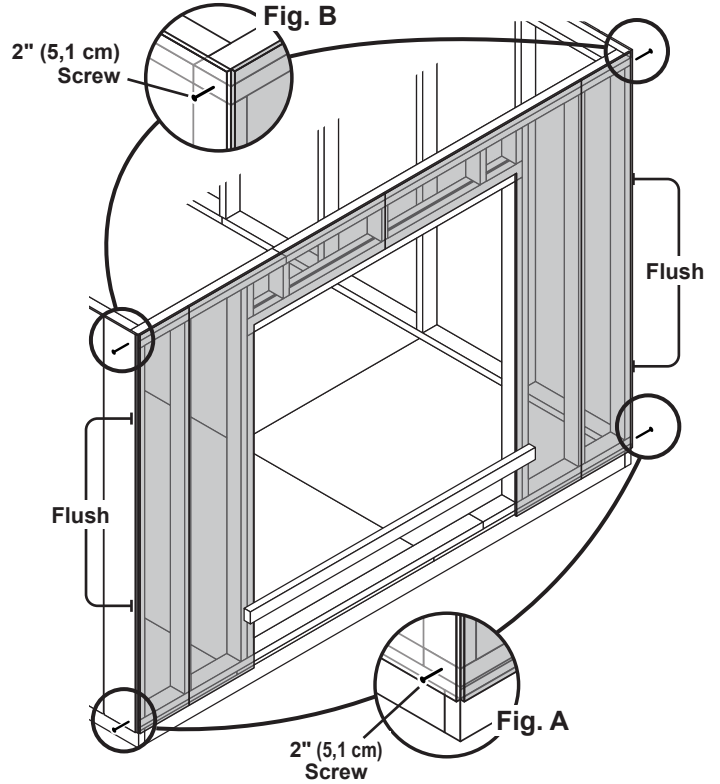
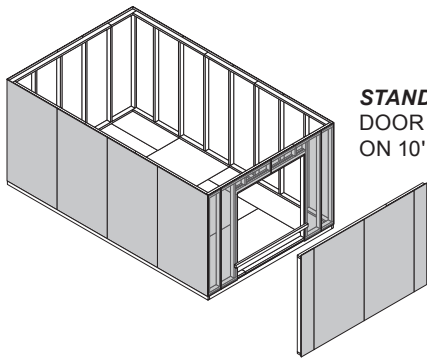
### ✓ BEGIN

**1** Place 10' wall on floor centered between 16' walls.

Secure wall with 2" screws into top and bottom plates (Fig. A, Fig. B).

Secure wall to bottom plate first.

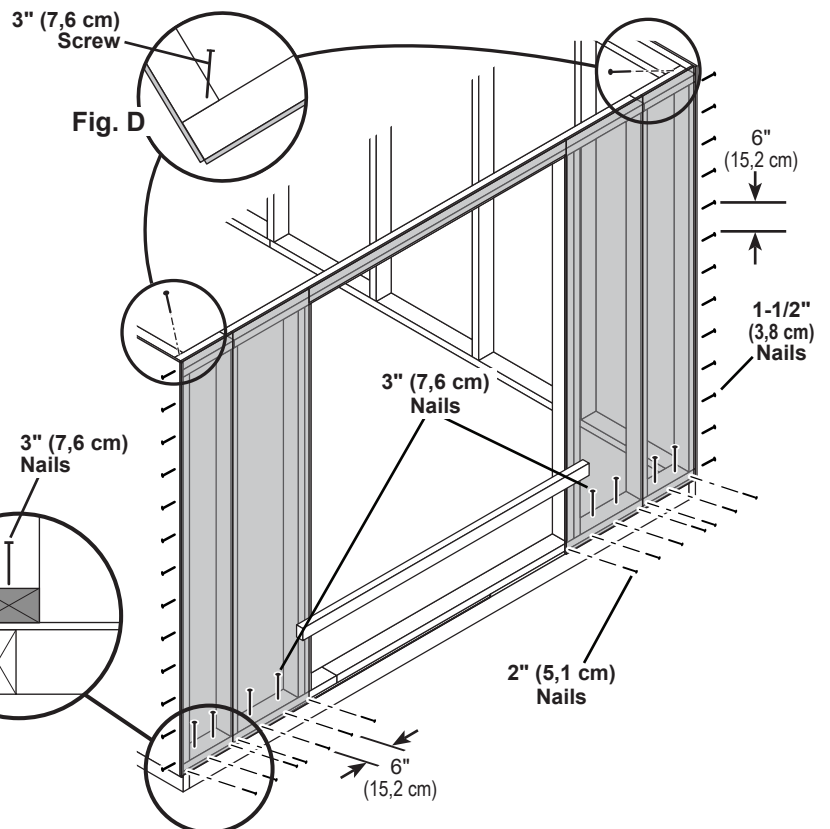
⚠ ENSURE PANEL CORNERS ARE FLUSH. ⚠



**2** Nail lower edge of panels to floor with 2" nails spaced 6" apart. Angle nails into floor frame (Fig. C).

Nail panels to 10' wall studs with 1-1/2" nails spaced 6" apart.

**3** Secure wall top plates with 3" screws at each corner at an angle (Fig. D).



FINISH

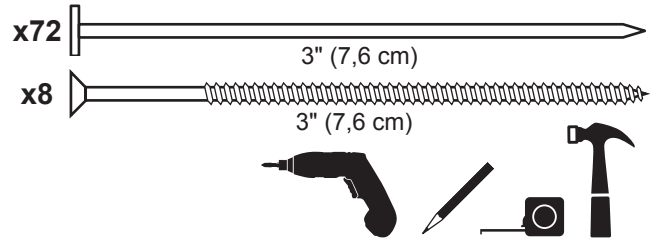
Your walls are now installed.

CUT OUT AND REMOVE BOTTOM PLATE  
AT DOOR OPENING.  
REMOVE TEMPORARY BRACING.

# 10' x 16' WALL DOUBLERS INSTALLATION

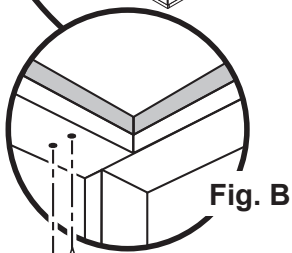
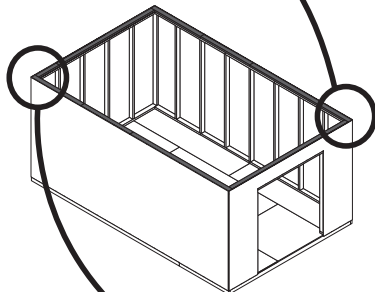
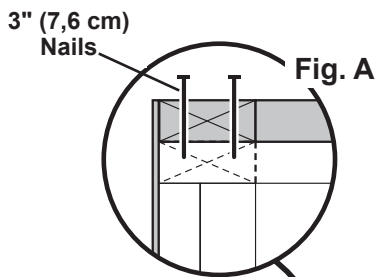
## PARTS REQUIRED:

- x4 **SP**  
2 x 4 x 48" (5,1 x 10,2 x 121,9 cm)
- x2 **JBD**  
2 x 4 x 20-3/8" (5,1 x 10,2 x 51,8 cm)
- x2 **TJ**  
2 x 4 x 92-5/8" (5,1 x 10,2 x 235,3 cm)
- x2 **TP**  
2 x 4 x 96" (5,1 x 10,2 x 243,8 cm)



### BEGIN

- 1 Orient parts on top of wall frames. Measure and mark from end of boards. Secure from top with (2) 3" nails spaced every 24" (Fig. A).
- 2 Secure from bottom with (2) 3" screws at each corner (Fig. B).
- 3 Secure from bottom with (2) 3" screws at each corner (Fig. B).

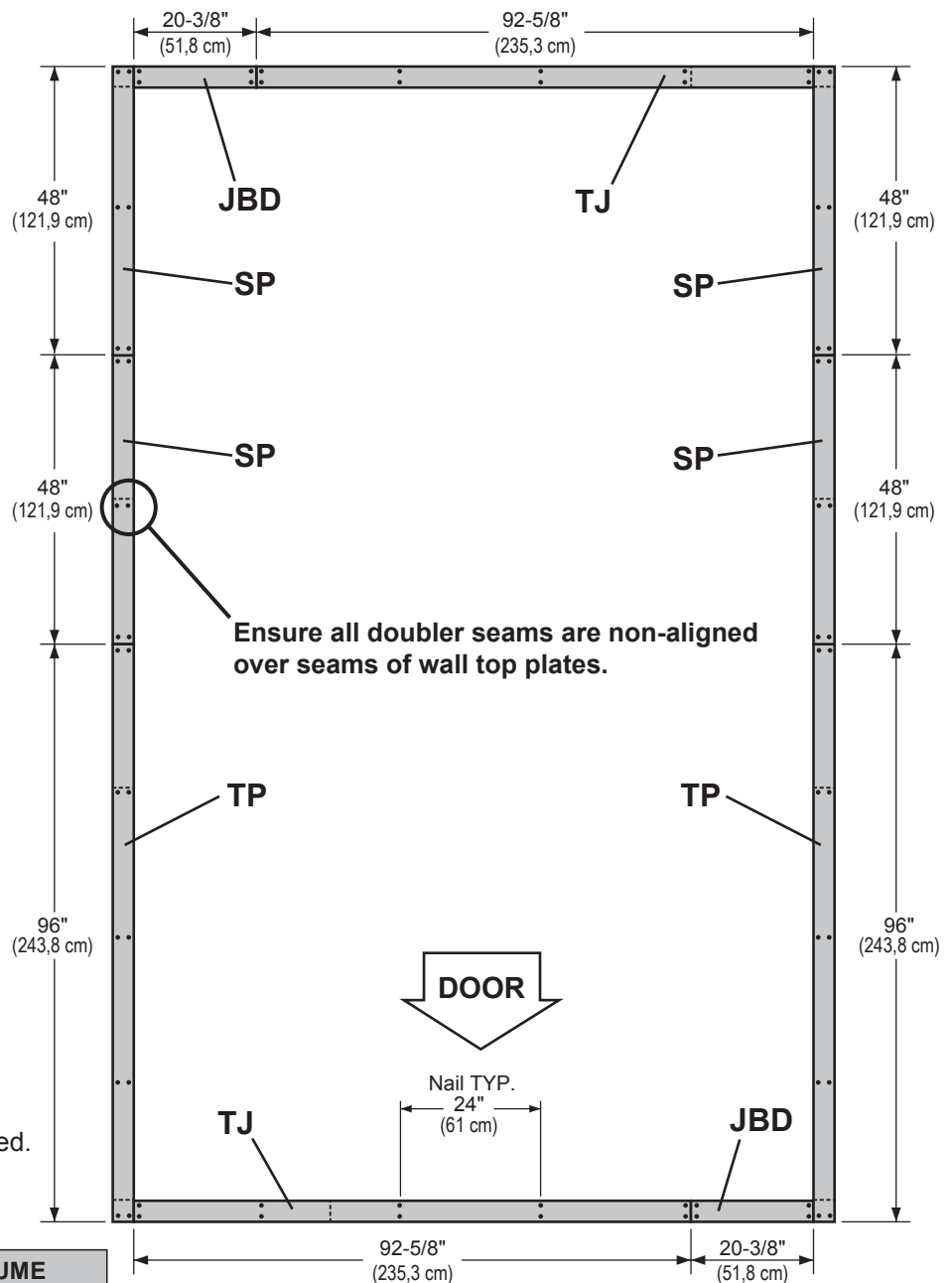


3" (7,6 cm) Screws



FINISH

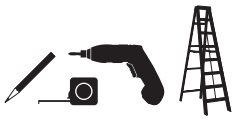
Your wall doublers are now installed.



CONTINUE TO NEXT PAGE TO RESUME CONSTRUCTION OF 10' X 16' SHED.

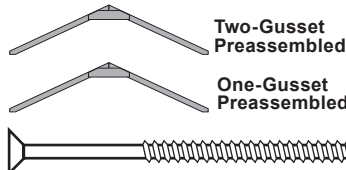
# 10x12' 10x16' **RAFTER INSTALLATION**

## PARTS REQUIRED:



**10x12'**  
**x5**  
**x2**  
**x28**

**10x16'**  
**x7**  
**x2**  
**x36**

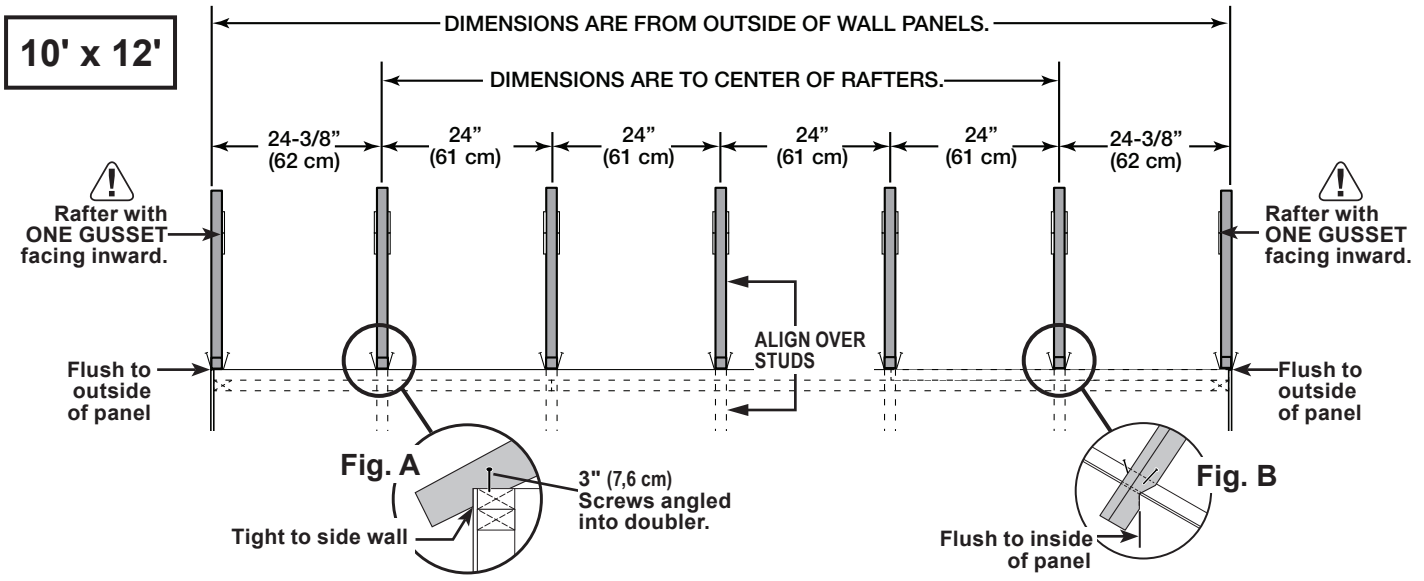


### ✓ BEGIN

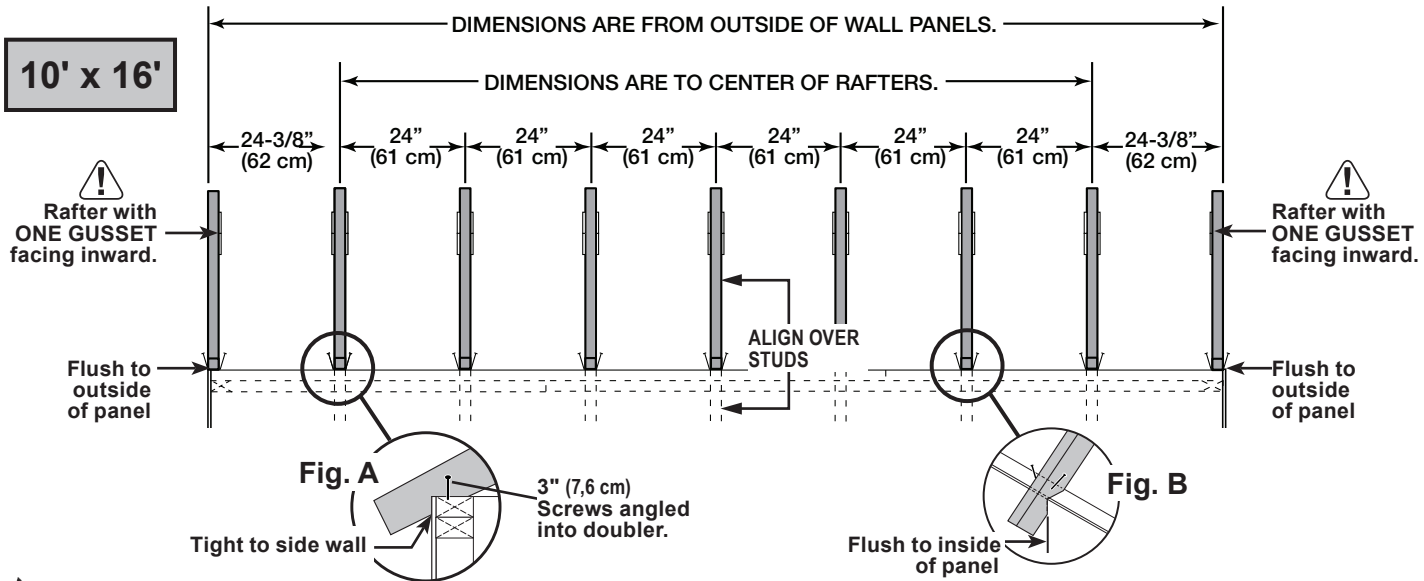
**1** Align rafters over the wall studs.

- Check that you have the measurements shown.
- Secure rafters with (2) 3" screws angled at each end (**Fig. A, Fig. B**).
- Secure rafters on opposite side.

**!** *Maintain the measurements between rafters.*




**!** *Maintain the measurements between rafters.*

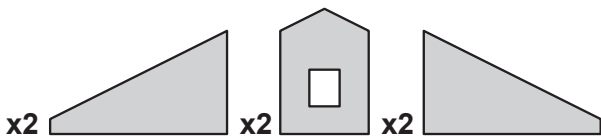


Your rafters are now installed.

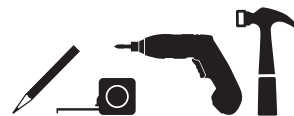
## GABLE UNITS

### PARTS REQUIRED:

x40  1-1/2" (3,8 cm)



x4 **UV**  
2 x 4 x 23-1/4" (5,1 x 10,2 x 59,1 cm)



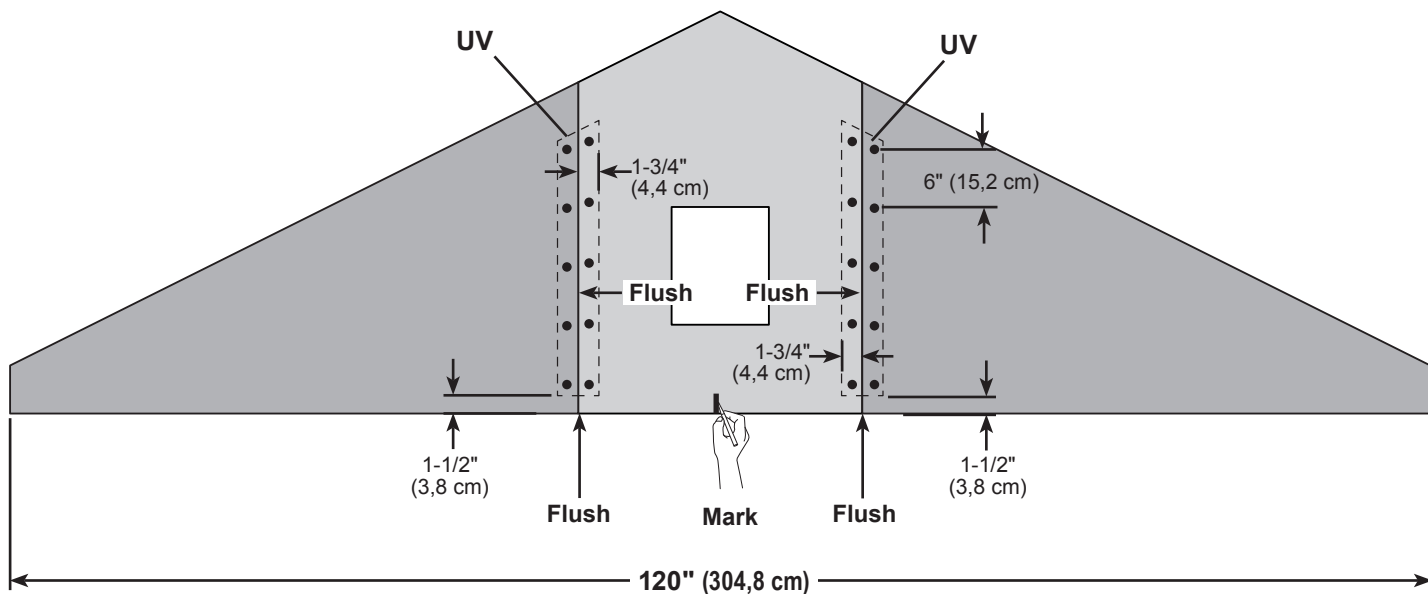
*Install gable panels with the primed side facing up.*

### ✓ BEGIN

**1** Place middle panel on (2) **UV**. Arrange parts to measurements shown.  
Secure panel with 1-1/2" nails spaced 6" apart along edge.  
Check measurements as you build the gable unit.

**2** Place left and right panels on **UV**, flush to middle panel.  
Secure panel with 1-1/2" nails spaced 6" apart along edge.

Mark the center of the middle gable panel.



Repeat steps to assemble the 2nd gable unit.




Your (2) gable units are now assembled.

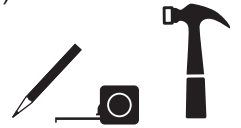
# GABLE UNITS

## PARTS REQUIRED:

x12 **CLA**  
2 x 4 x 4-7/8" (5,1 x 10,2 x 12,4 cm)

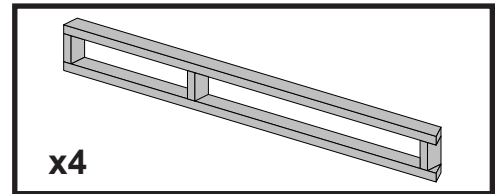
x8 **ECA**  
2 x 3 x 75-1/4" (5,1 x 7,6 x 191,1 cm)

x56  3" (7,6 cm)

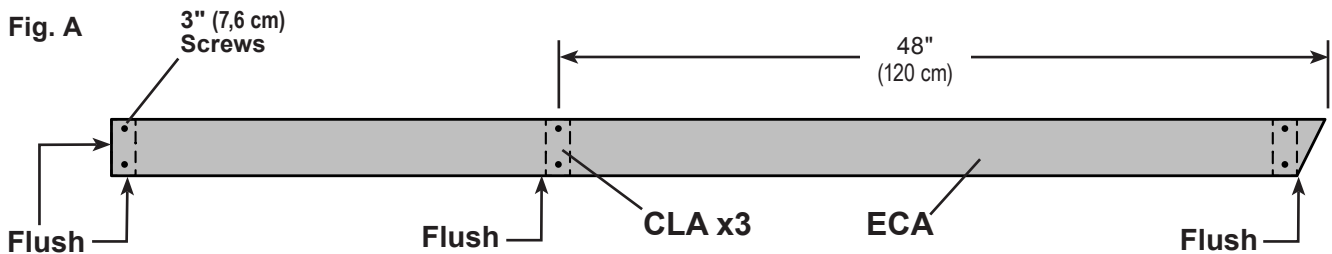


### ✓ BEGIN

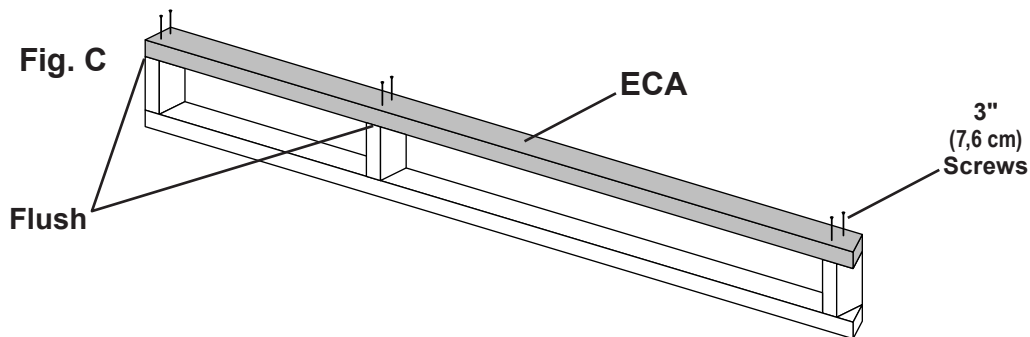
- 1 Arrange parts as shown (**Fig. A**). You will build (4) assemblies (**Fig. B**).
- 2 Arrange, measure and mark locations of (3) **CLA** as shown place **ECA** on top. Secure with 3" screws as shown (**Fig. A**). Ensure parts are flush along edges.



**Fig. B**

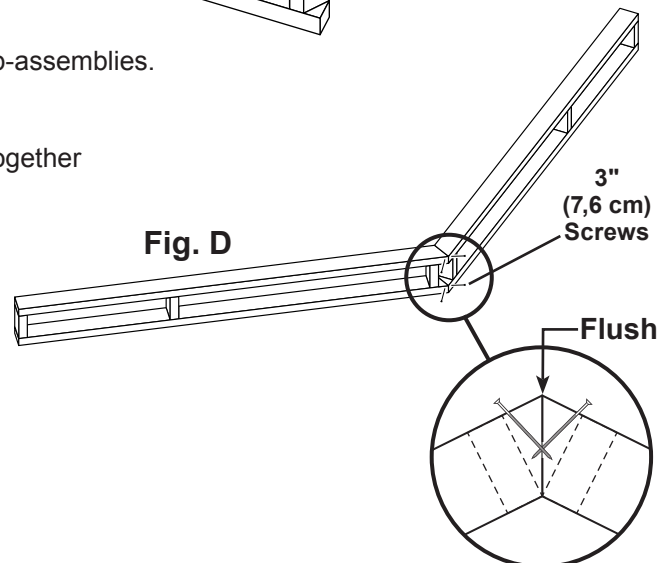


- 3 Flip over the gable ladder sub-assembly and secure **ECA** to the (3) **CLA** with 3" screws (**Fig. C**).



- 4 Repeat steps 2-3 to build (3) additional gable ladder sub-assemblies.

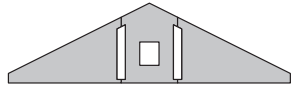
- 5 To complete gable ladder, secure two sub-assemblies together with (2) 3" screws, as shown (**Fig. D**).



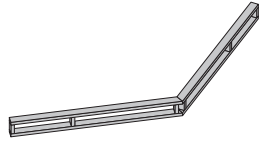
- 6 Repeat steps 1-5 to build the 2nd gable ladder frame.

## GABLE UNITS

### PARTS REQUIRED:

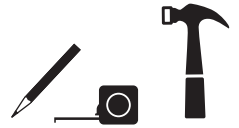


x2 Gable Assemblies



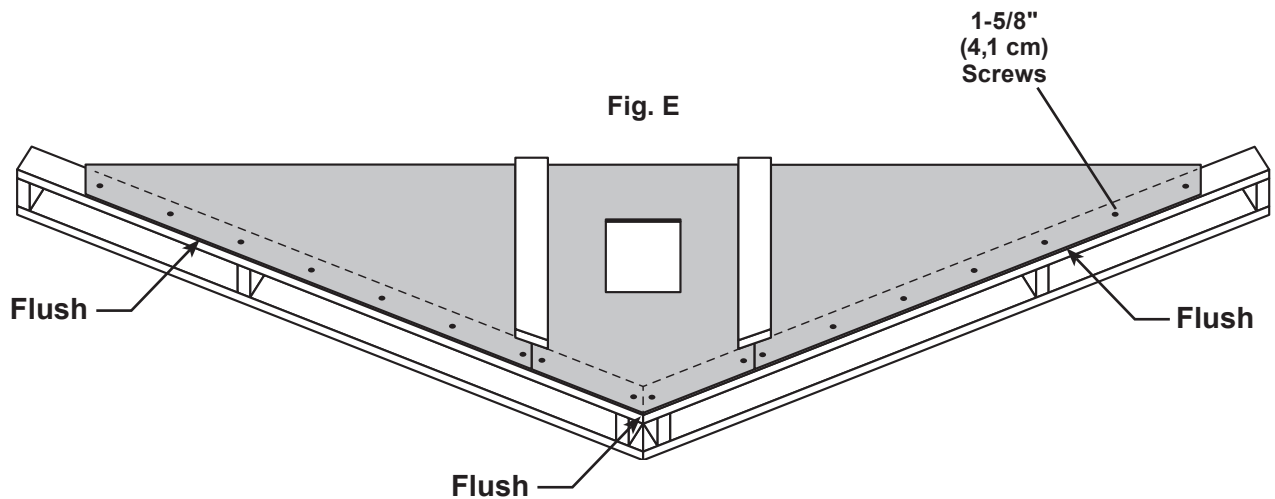
x2 Ladder Assemblies

x36 1-5/8" (4,1 cm)



**7** Arrange gable and ladder assemblies as shown (**Fig. E**). You will build (2) complete assemblies.

**8** Ensure gable panels are flush at peak of ladder and flush along top edge of ladder assembly. Secure with 1-5/8" screws as shown (**Fig. E**).



Repeat steps 7 and 8 to build the 2nd gable unit.

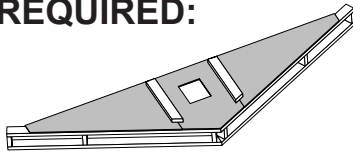


**FINISH**

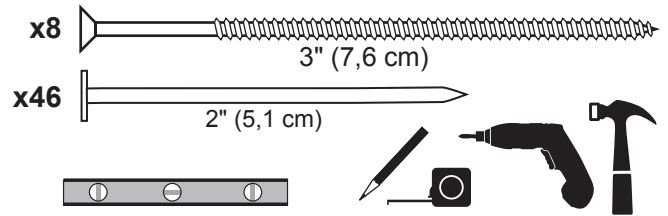
You have finished building (2) gable units.

## GABLE UNITS

### PARTS REQUIRED:



x2 Gable Units



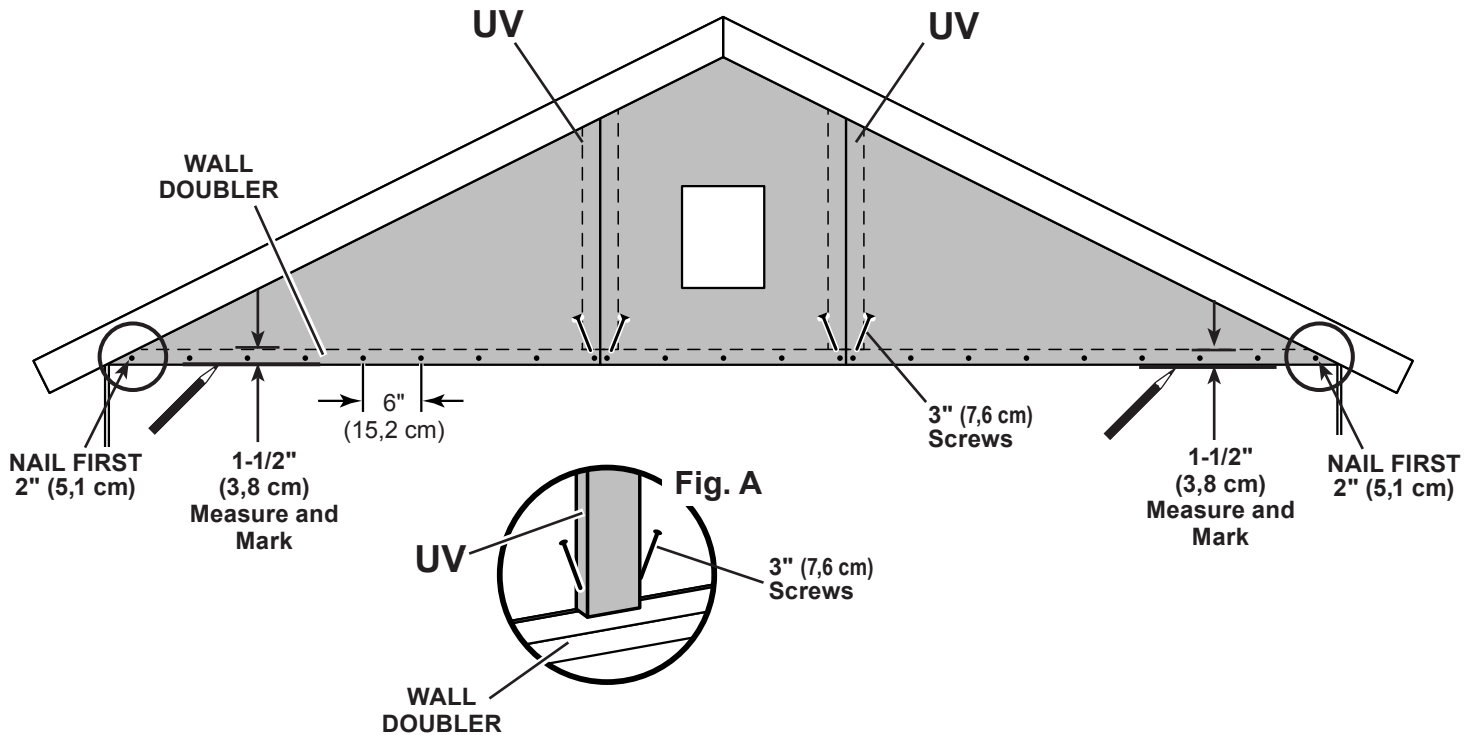
### ✓ BEGIN

- 1 Measure 1-1/2" down from wall doubler and mark at each side as shown. Set gable unit on top plate. Fasten with (1) 2" nail on each side.

**⚠ BE SURE GABLE IS CENTERED ON WALL BEFORE NAILING. ⚠** 

- 2 Continue nailing lower edge of panels to wall doubler with 2" nails spaced 6" apart.


- 3 Working inside, secure gable unit with (2) 3" screws angled into each AF at an angle (**Fig. A**).

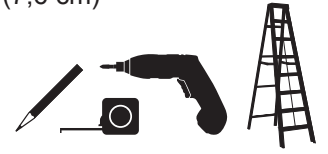


- 4 Continue securing panels to rafter with 2" nails spaced 6" apart.

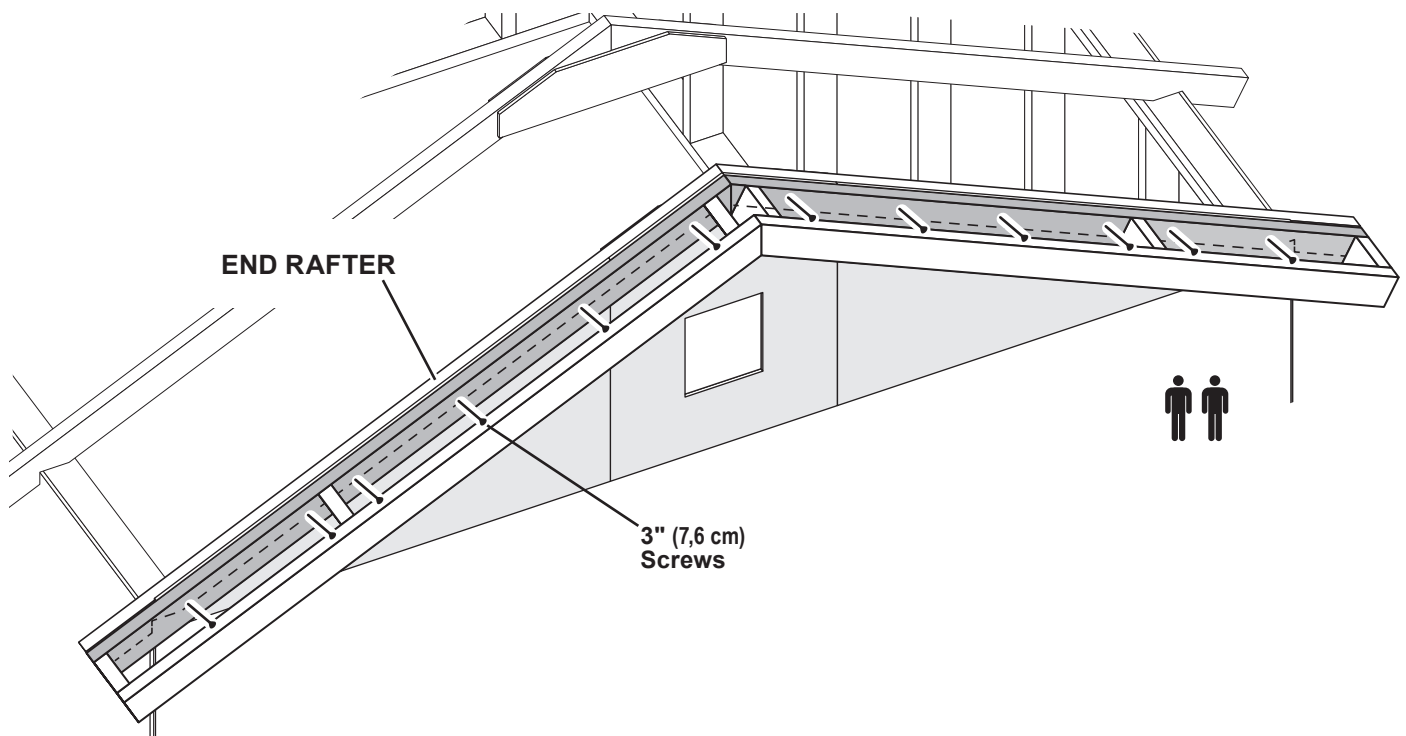
## GABLE UNITS

### PARTS REQUIRED:

x24  3" (7,6 cm)



- 5 Secure gable unit frame to end rafter with 3" screws, evenly spaced.  
Angle screws if necessary



Repeat all steps to install the 2nd gable unit.



Your (2) gable units are now installed

# 10' x 12' ROOF PANELS

## PARTS REQUIRED:

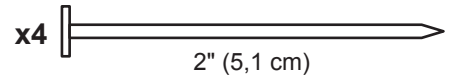


x1

7/16 x 48 x 96"  
(1,1 x 121,9 x 243,8 cm)



3/4" GAUGE  
BLOCK



x4

2" (5,1 cm)



**Install all roof panels with the rough side (painted grid lines) facing up.**

**!** Roof panels may cause serious injury until securely fastened.

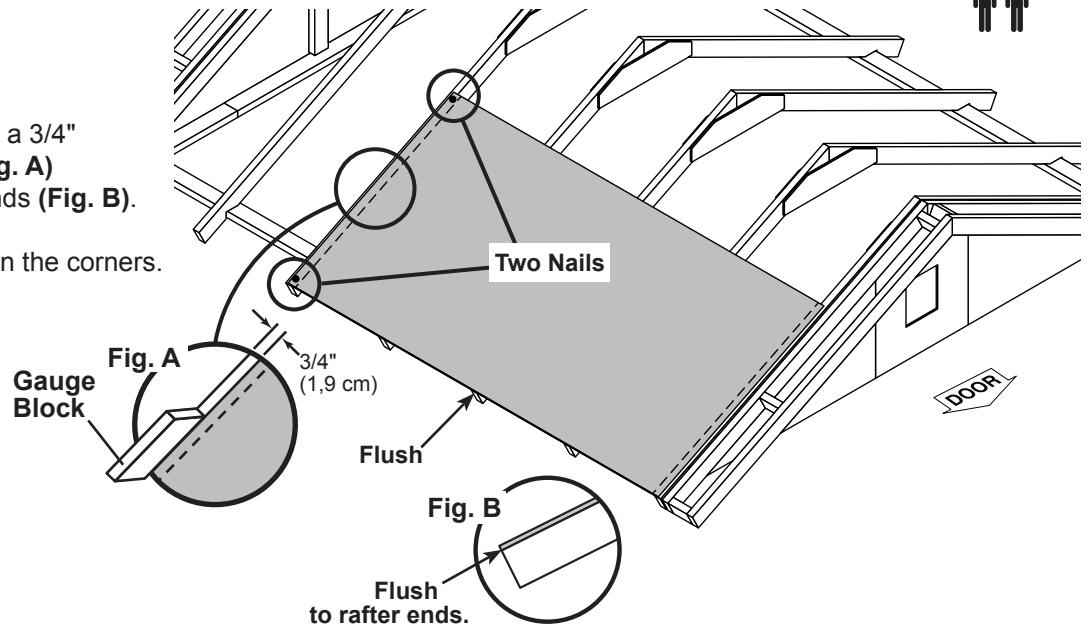


✓ BEGIN

1

Install (1) 48" x 96" panel with a 3/4" measurement on the rafter (Fig. A) and the panel flush to rafter ends (Fig. B).

Secure panel with (2) 2" nails in the corners.



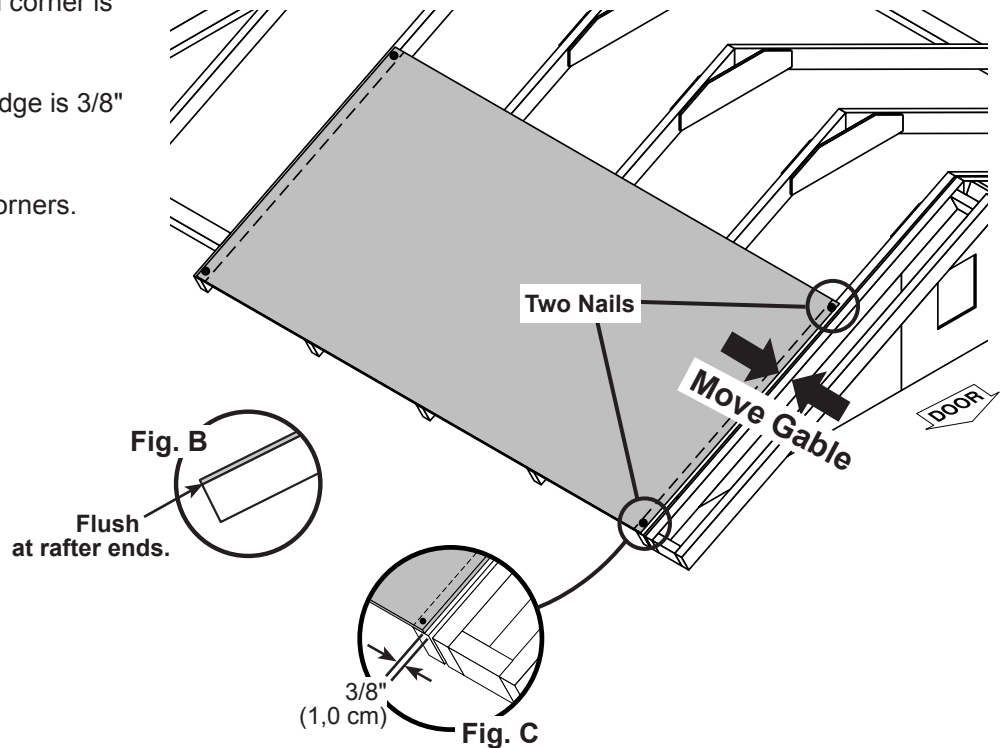
2

Move to the opposite end.

Using the long edge of the panel as a lever, move the panel side-to-side until the bottom corner is flush to rafter end (Fig. B).

Move the gable until the end rafter's edge is 3/8" from the edge of the panel (Fig. C).

Secure panel with (2) 2" nails in the corners.



# 10' x 12' ROOF PANELS

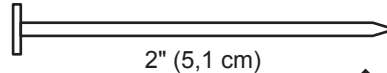
## PARTS REQUIRED:

x1

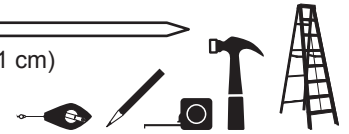


7/16 x 27-1/4 x 48"  
(1,1 x 69,2,9 x 121,9 cm)

x8



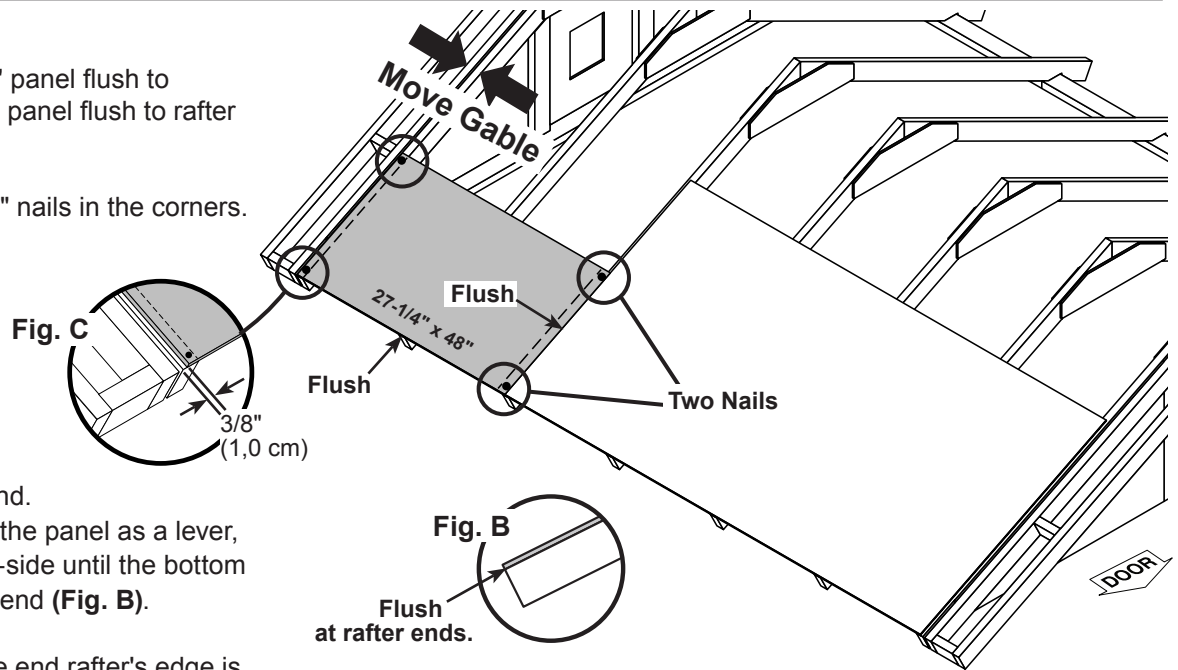
2" (5,1 cm)



3

Install (1) 27-1/4" x 48" panel flush to installed panel, and the panel flush to rafter ends (Fig. B).

Secure panel with (2) 2" nails in the corners.



4

Move to the opposite end.

Using the long edge of the panel as a lever, move the panel side-to-side until the bottom corner is flush to rafter end (Fig. B).

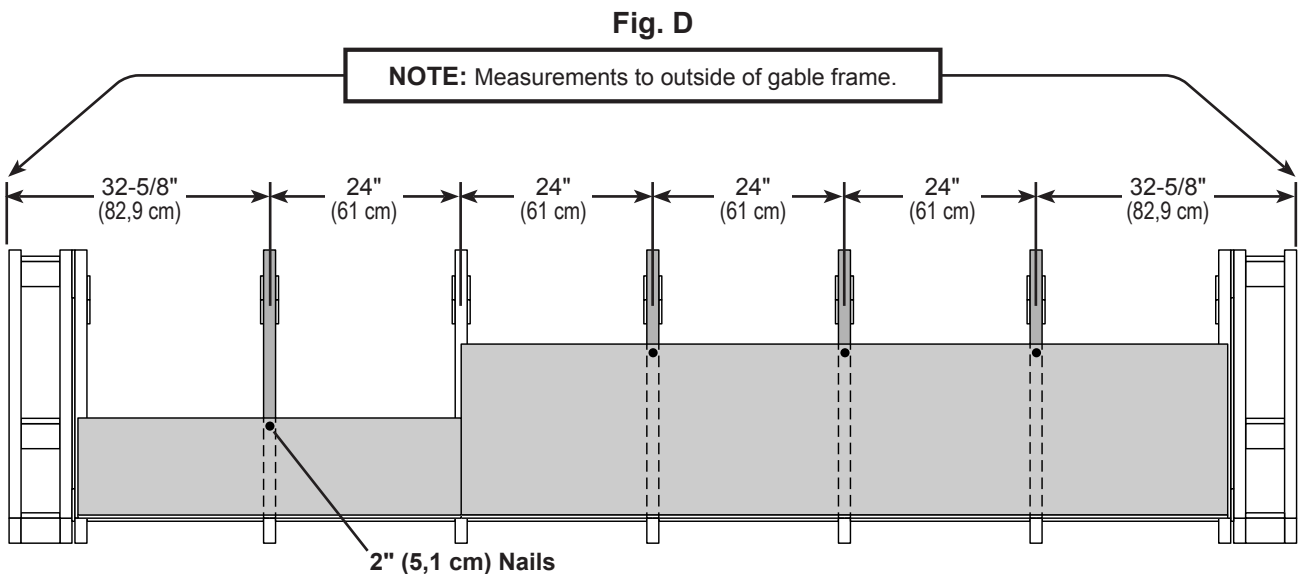
Move the gable until the end rafter's edge is 3/8" from the edge panel (Fig. C).

Secure panel with (2) 2" nails in the corners.

5

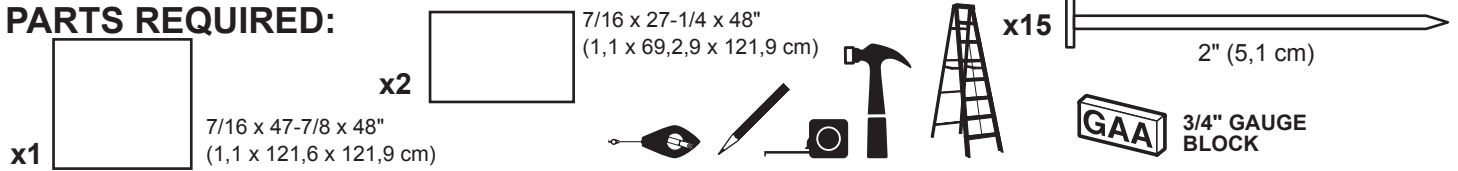
Maintain spacing between the centers of the rafters and to the outside of the gable frame (Fig. D).

Secure panels with (1) 2" nail in each rafter.



# 10' x 12' ROOF PANELS

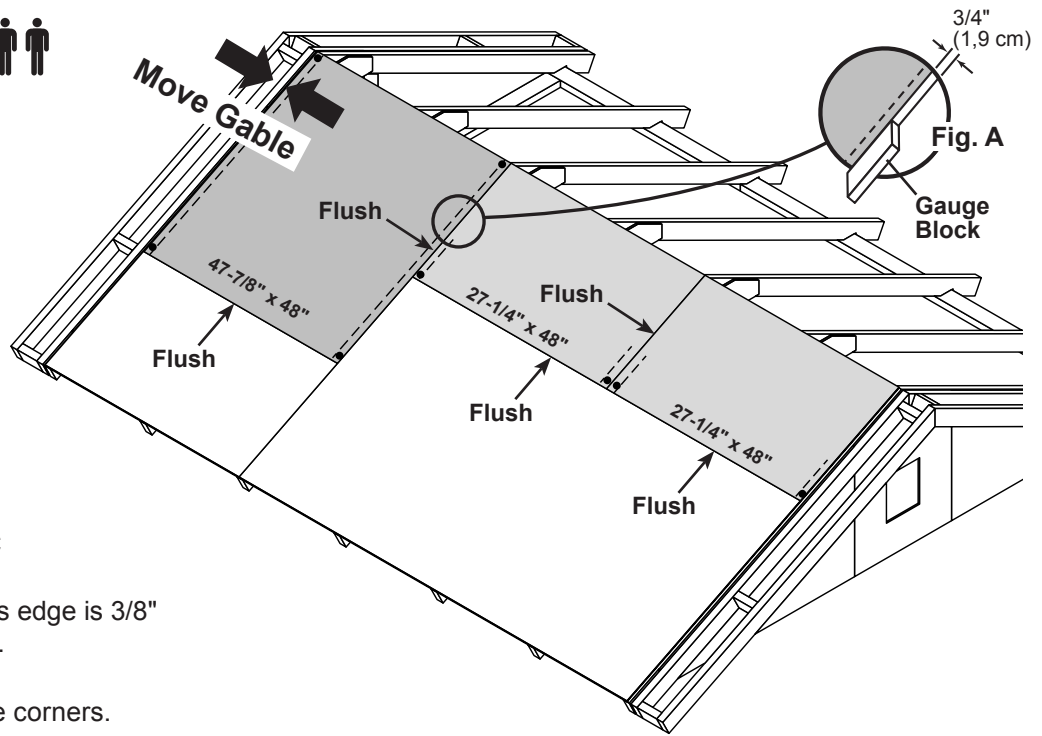
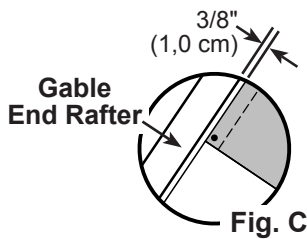
## PARTS REQUIRED:



**5**  
Install (1) 47-7/8" x 48" roof panel flush to installed panels.

Ensure 3/4" measurement at top of the (inner) rafter (Fig. A).

Secure the panel to the rafter with (1) 2" nail in each corner.

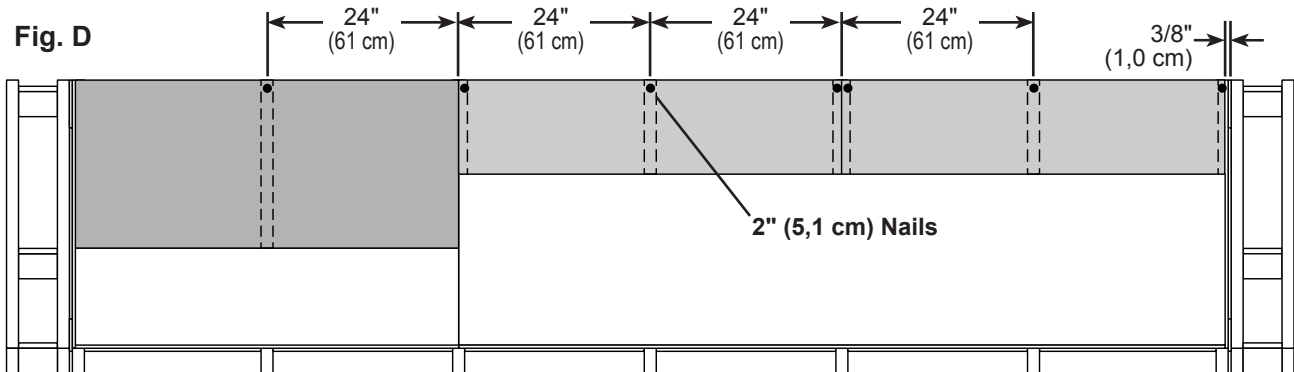


At the opposite (gable) end, move the gable until the end rafter's edge is 3/8" from the edge of the panel (Fig. C).

Secure panel with (2) 2" nails in the corners.


**6**  
Install (2) 27-1/4" x 48" roof panels flush to installed panels.  
Secure the panels with (1) 2" nail in each bottom corner.


**7**  
Maintain spacing between the centers of the rafters (Fig. D).  
If necessary, move the gable until the end rafter's edge is 3/8" from the edge of the panel (Fig. C).  
Secure panels with (1) 2" nail in each corner and rafter, as shown.

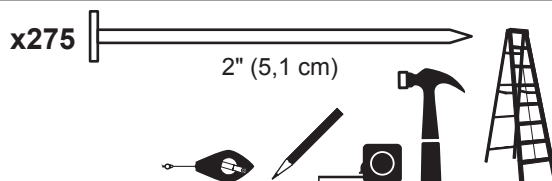


# 10' x 12' ROOF PANELS

## PARTS REQUIRED:

x2   
 7/16 x 8-5/8 x 48"  
 (1,1 x 21,9 x 121,9 cm)

x2   
 7/16 x 8-5/8 x 27-1/4"  
 (1,1 x 21,9 x 69,2 cm)



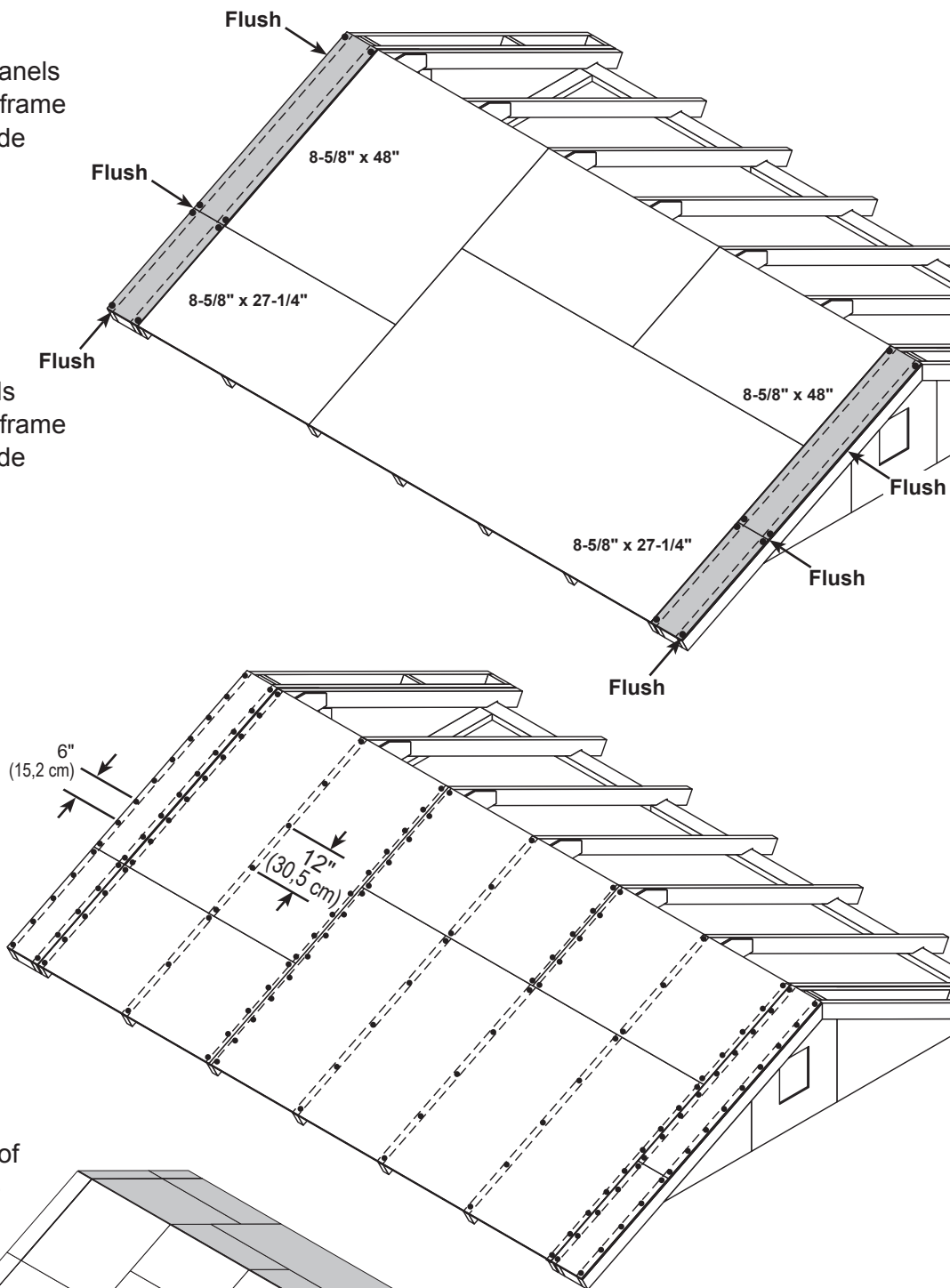
**8**  
 Install (2) 8-5/8" x 27-1/4" panels flush to lower ends of gable frame and rafter, and flush to outside edge of gable frame.

Secure with (1) 2" nail in each corner.

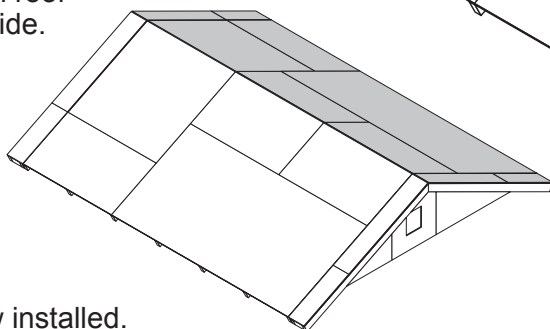
**9**  
 Install (2) 8-5/8" x 48" panels flush to lower ends of gable frame and rafter, and flush to outside edge of gable frame.

Secure with (1) 2" nail in each corner.

**10**  
 Secure all panels with 2" nails spaced 6" apart along panel edges and 12" apart inside panel.



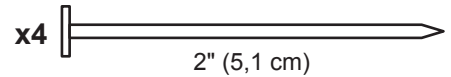
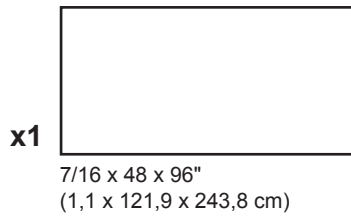
Repeat all steps to install roof panels on the opposite side.



Your roof panels are now installed.

# 10' x 16' ROOF PANELS

## PARTS REQUIRED:



**Install all roof panels with the rough side (painted grid lines) facing up.**

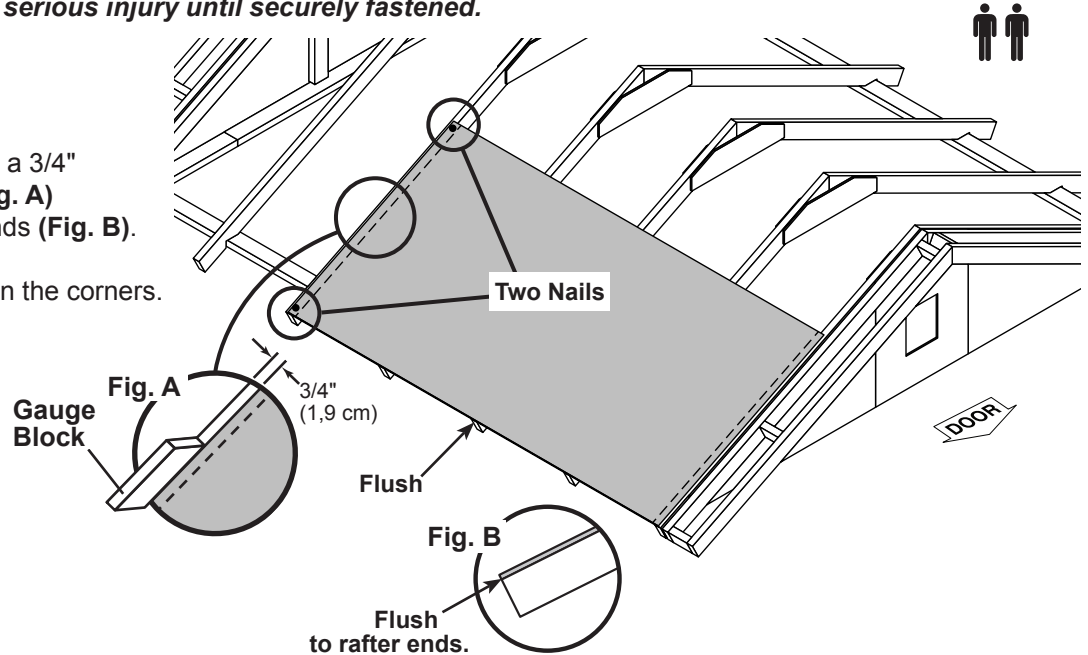
**!** Roof panels may cause serious injury until securely fastened.

✓ **BEGIN**

**1**

Install (1) 48" x 96" panel with a 3/4" measurement on the rafter (Fig. A) and the panel flush to rafter ends (Fig. B).

Secure panel with (2) 2" nails in the corners.

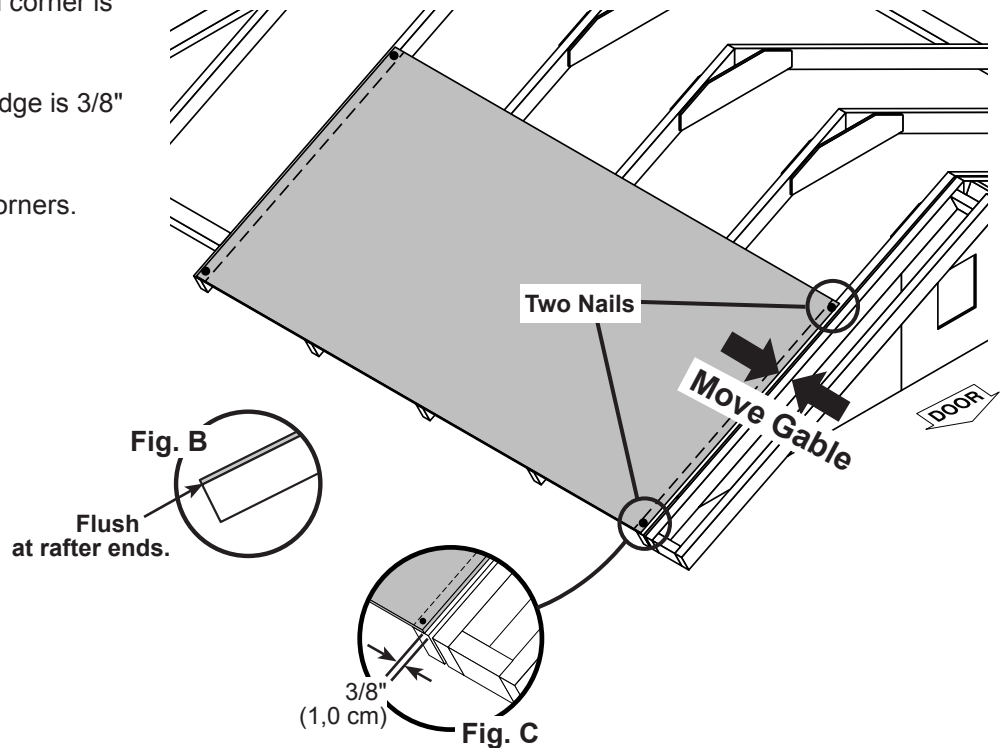


**2**

Move to the opposite end. Using the long edge of the panel as a lever, move the panel side-to-side until the bottom corner is flush to rafter end (Fig. B).


Move the gable until the end rafter's edge is 3/8" from the edge of the panel (Fig. C).


Secure panel with (2) 2" nails in the corners.

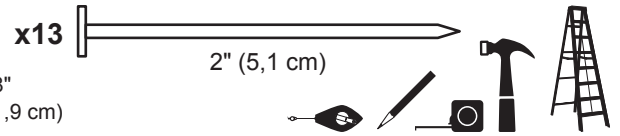


# 10' x 16' ROOF PANELS

## PARTS REQUIRED:

x1  7/16 x 27-1/4 x 48"  
(1,1 x 69,2,9 x 121,9 cm)

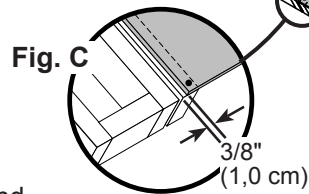
x1  7/16 x 47-7/8 x 48"  
(1,1 x 121,6 x 121,9 cm)



**3**

Install (1) 27-1/4" x 48" panel flush to installed panel, and the panel flush to rafter ends (**Fig. B**).

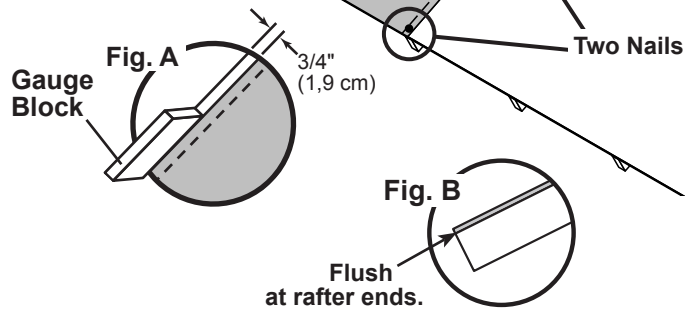
Secure panel with (2) 2" nails in the corners.



**4**

Move to the opposite end.  
Move the panel side-to-side until the bottom corner is flush to rafter end (**Fig. B**).  
Secure panel with (1) 2" nail in the corner.

Move the rafter until the panel's edge measures 3/4" on the rafter (**Fig. A**).  
Secure panel with (1) 2" nail in the upper corner.

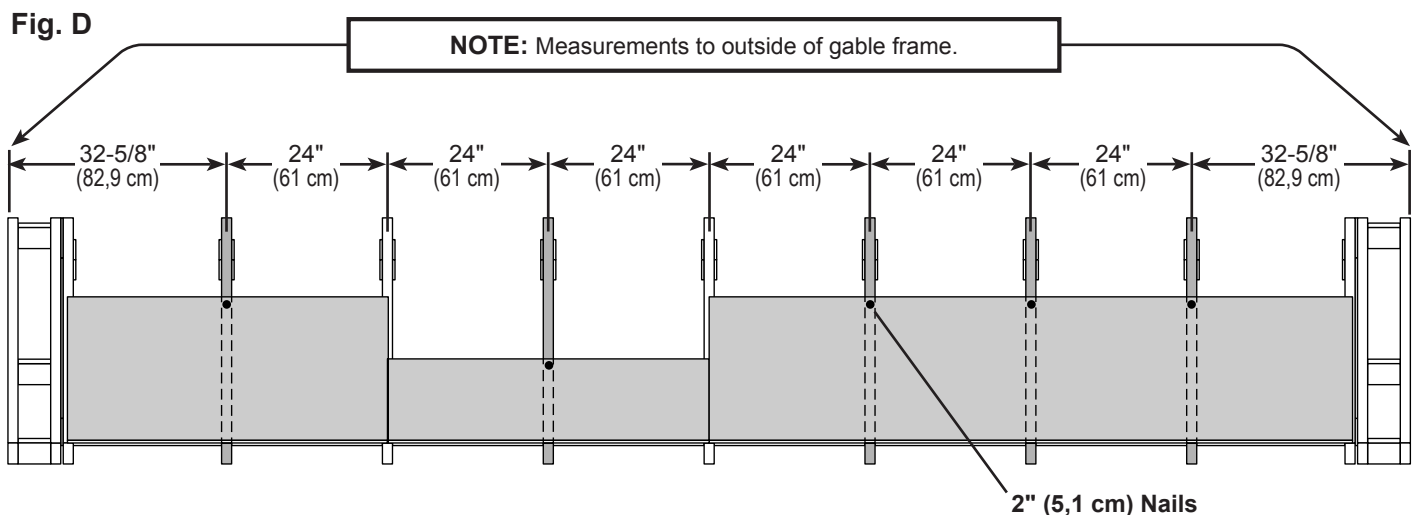


**5**

Install (1) 47-7/8" x 48" panel flush to installed panel, and flush to rafter ends (**Fig. B**).  
Secure panel to the rafter with (2) 2" nails in the corners.  
At the opposite end of panel, move the gable until the end-rafter's edge is 3/8" from the edge of panel (**Fig. C**).  
Secure panel with (2) 2" nails in the corners.

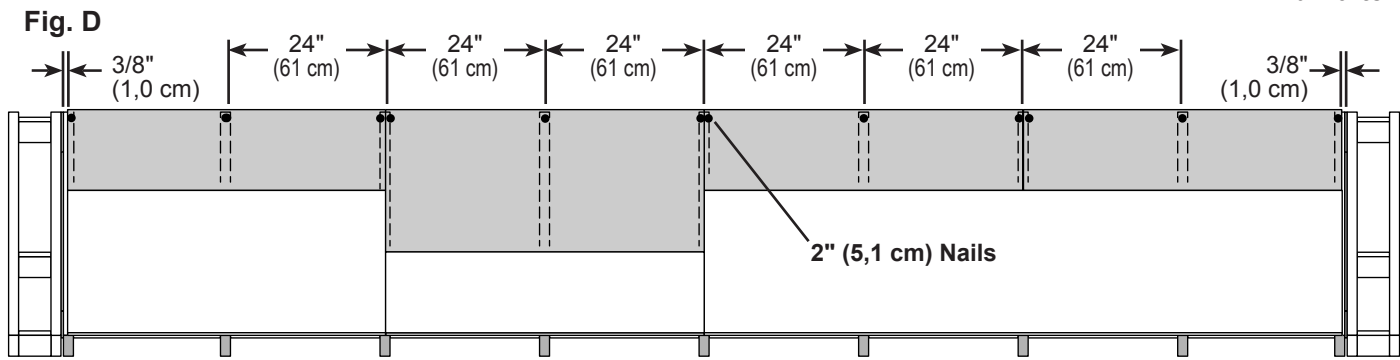
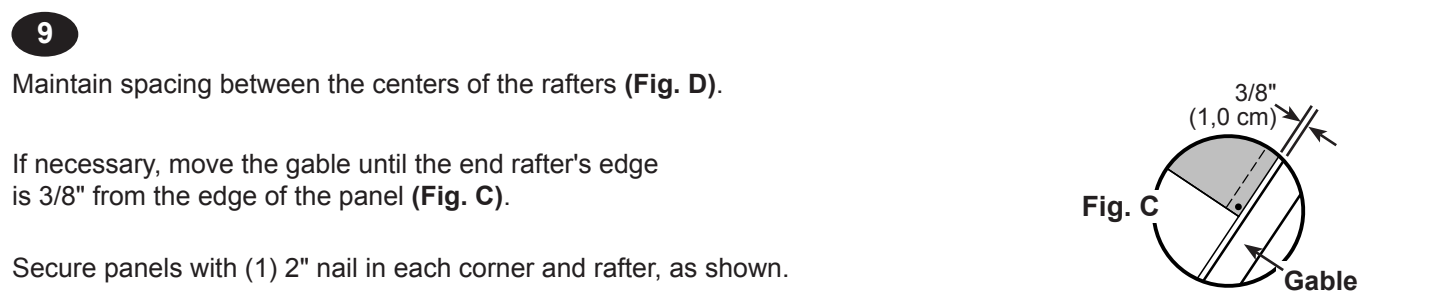
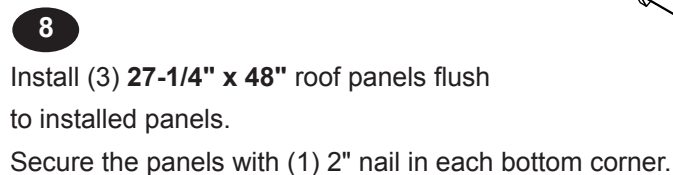
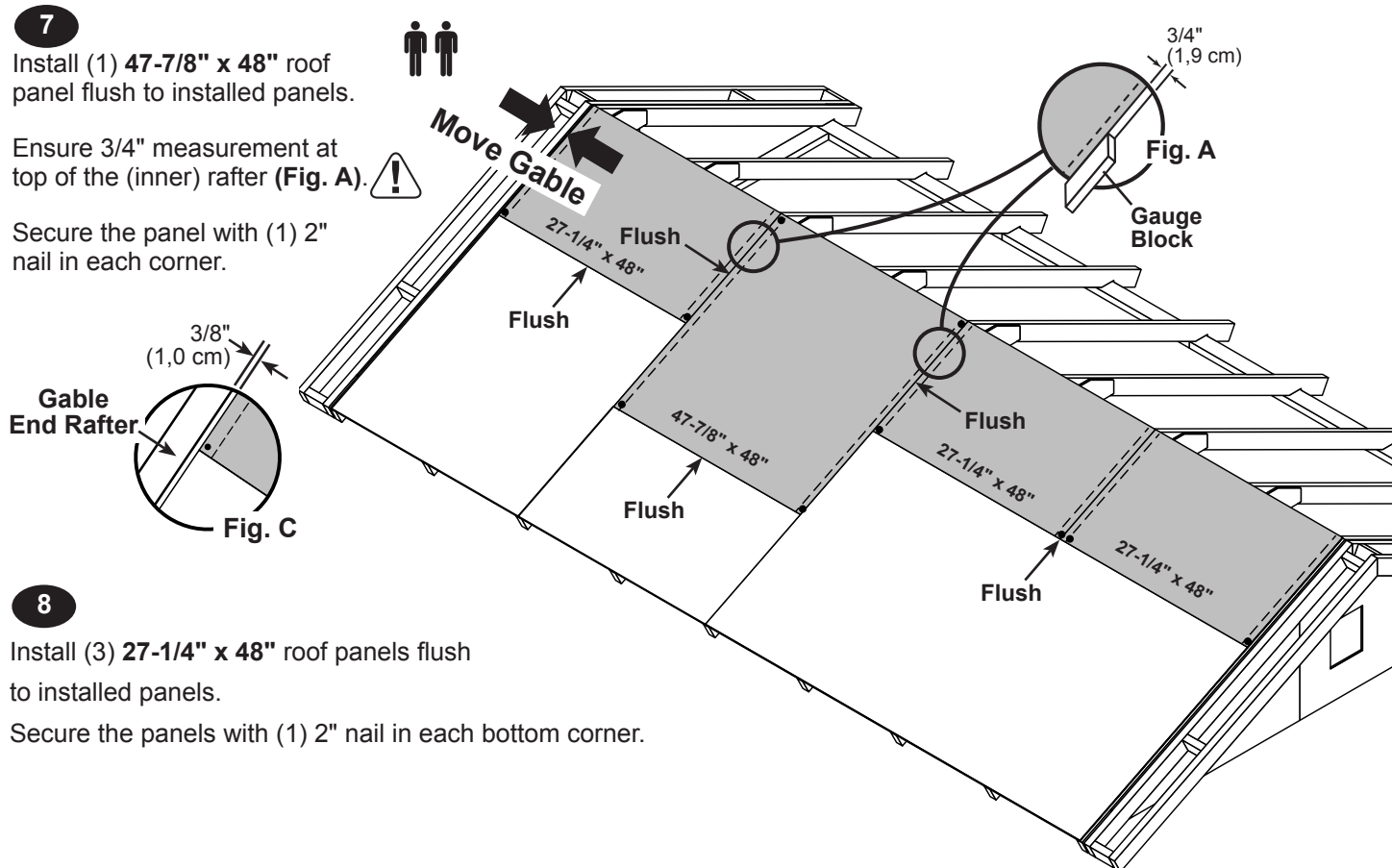
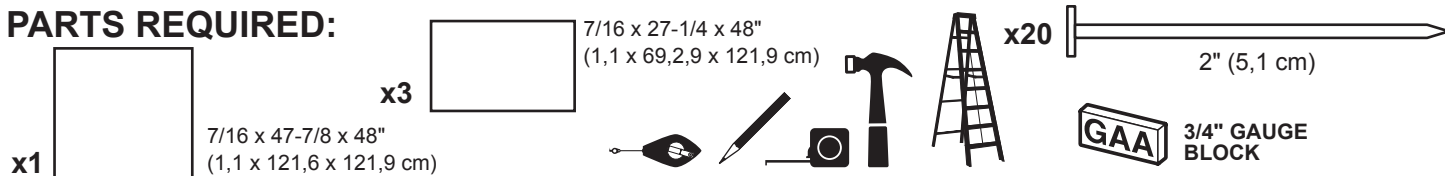
**6**

Maintain spacing between the centers of the rafters and to the outside of the gable frame (**Fig. D**).  
Secure panels with (1) 2" nail in each rafter.





# 10' x 16' ROOF PANELS

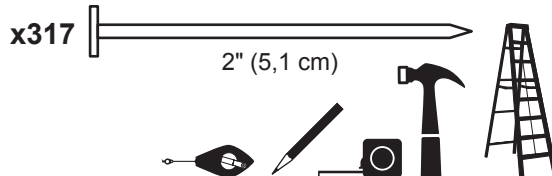
## PARTS REQUIRED:



# 10' x 16' ROOF PANELS

## PARTS REQUIRED:

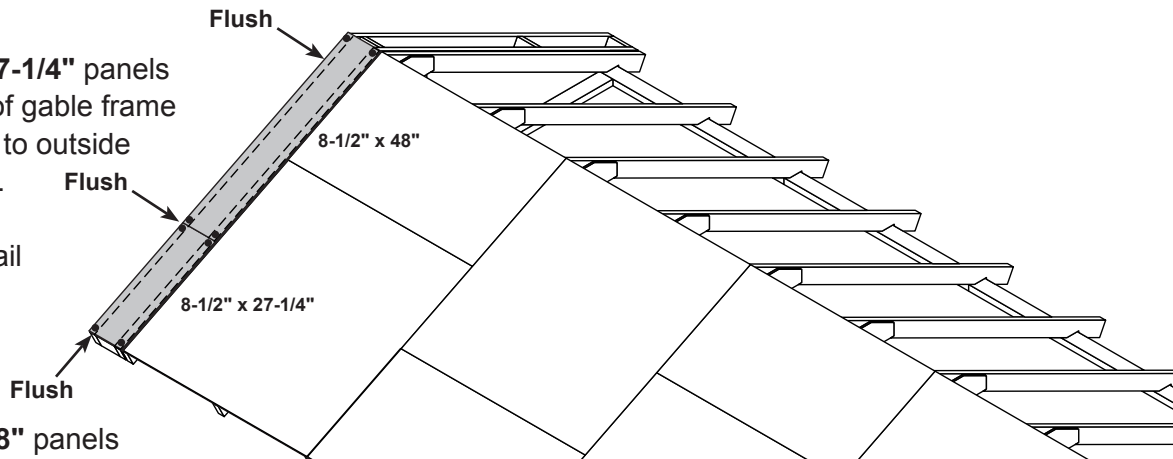
- x2  7/16 x 8-1/2 x 27-1/4"  
(1,1 x 21,6 x 121,9 cm)
- x2  7/16 x 8-1/2 x 27-1/4"  
(1,1 x 21,6 x 69,2 cm)



**10**

Install (2) 8-1/2" x 27-1/4" panels flush to lower ends of gable frame and rafter, and flush to outside edge of gable frame.

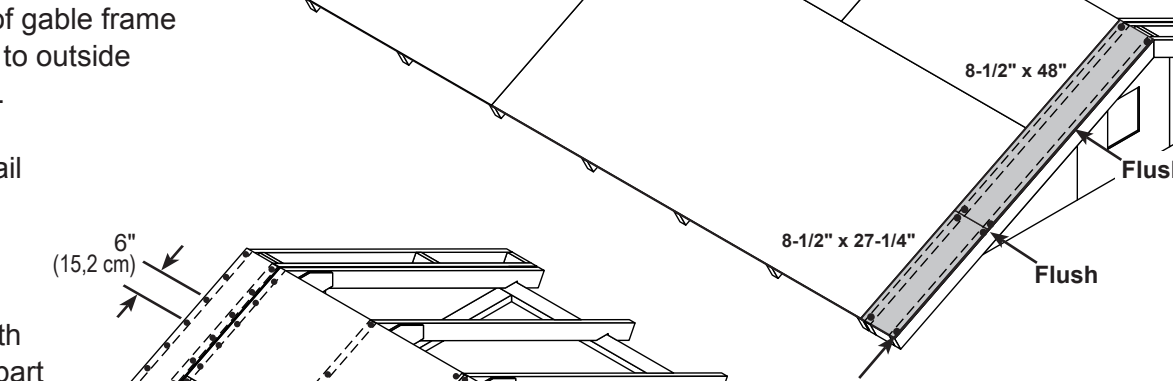
Secure with (1) 2" nail in each corner.



**11**

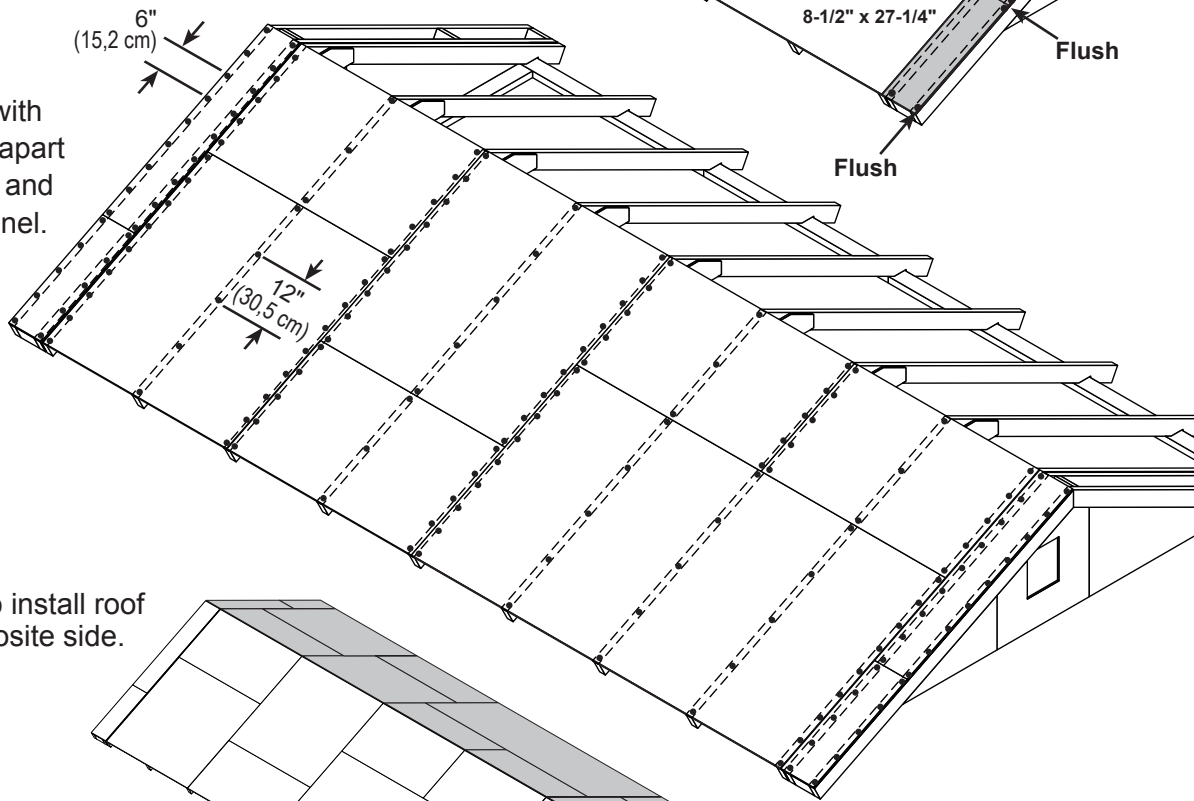
Install (2) 8-1/2" x 48" panels flush to lower ends of gable frame and rafter, and flush to outside edge of gable frame.

Secure with (1) 2" nail in each corner.

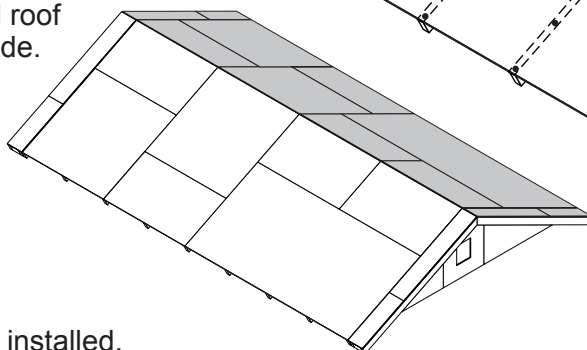


**12**

Secure all panels with 2" nails spaced 6" apart along panel edges and 12" apart inside panel.




Repeat all steps to install roof panels on the opposite side.

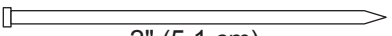


Your roof panels are now installed.

## GABLE SOFFIT PANELS

### PARTS REQUIRED:

x4   
3/8 x 7-7/8 x 73-5/16" (1 x 20 x 186,2 cm)

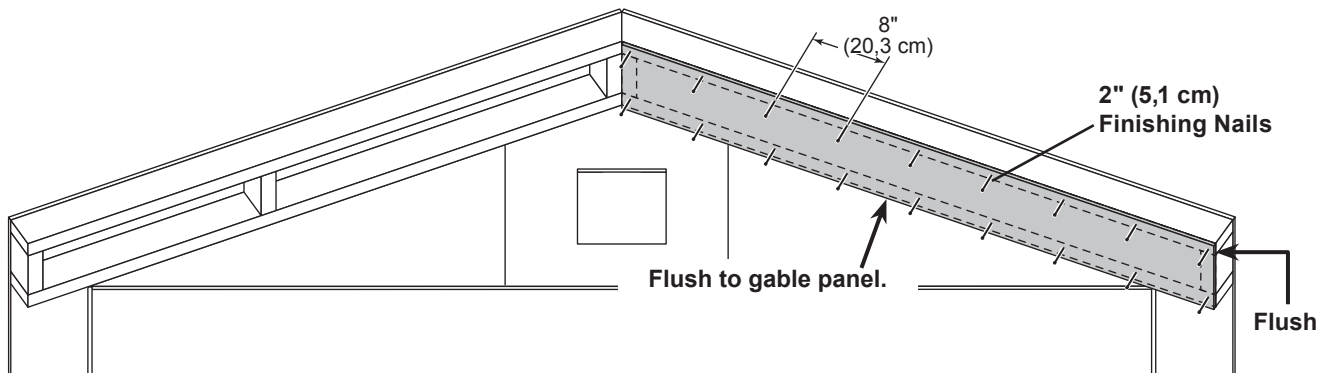
x72   
2" (5,1 cm)



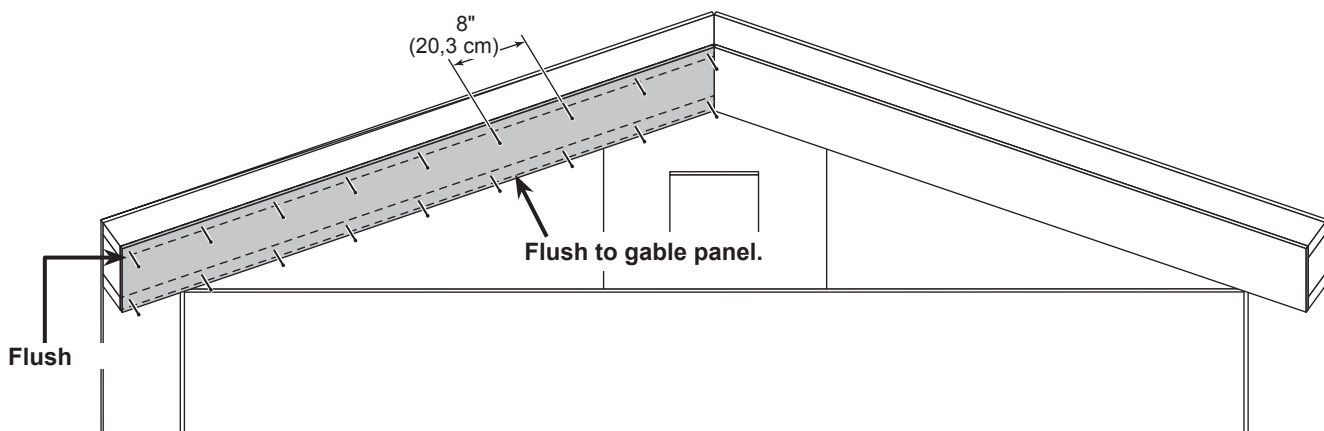
*Install all soffit panels with the primed side facing out.*

### ✓ BEGIN

- 1 Position right **73-5/16"** soffit panel flush to gable panel and flush to gable end.  
Secure with 2" finishing nails spaced evenly.



- 2 Position left **73-5/16"** soffit panel flush to gable panel and flush to gable end.  
Secure with 2" finishing nails spaced evenly.




*Repeat steps to install soffit boards on opposite side.*




You have finished installing your soffit panels.

## EAVE SOFFIT PANELS 10'x12'

### PARTS REQUIRED:

x4   
3/8 x 5-7/8 x 73" (1 x 14,9 x 185,4 cm)

x32   
2" (5,1 cm)



*Install all soffit panels with the primed side facing out.*

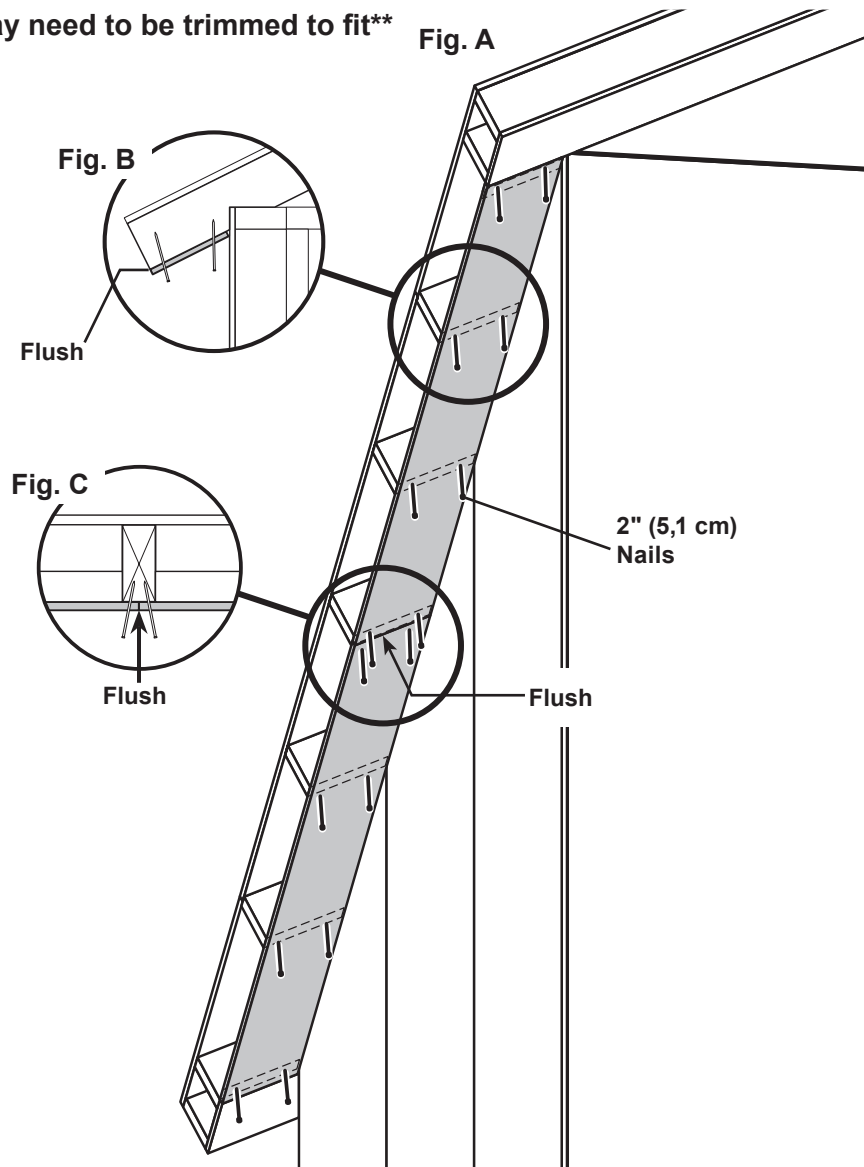
### ✓ BEGIN

**1** Install (2) 73" soffit panels flush at seamm (Fig A).

Secure with 2" finishing nails, (2) in each rafter and (4) at seam.

Angle nails at seam (Fig. C).

**\*\*Soffit panels may need to be trimmed to fit\*\***




*Repeat steps to install eave soffit panels on opposite side.*




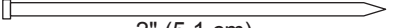
You have finished installing your eave soffit panels.

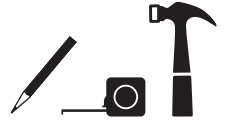
# EAVE SOFFIT PANELS 10'x16'

## PARTS REQUIRED:

x4   
3/8 x 5-7/8 x 73" (1 x 14,9 x 185,4 cm)

x2   
3/8 x 5-7/8 x 48" (1 x 14,9 x 121,9 cm)

x44  2" (5,1 cm)



*Install all soffit panels with the primed side facing out.*

✓ **BEGIN**

**1**

Install (1) 48" soffit panel centered between 4th and 6th rafters (**Fig A**).

Secure with 2" finishing nails, (2) in each rafter (**Fig B**).

Angle nails at seams (**Fig C**).

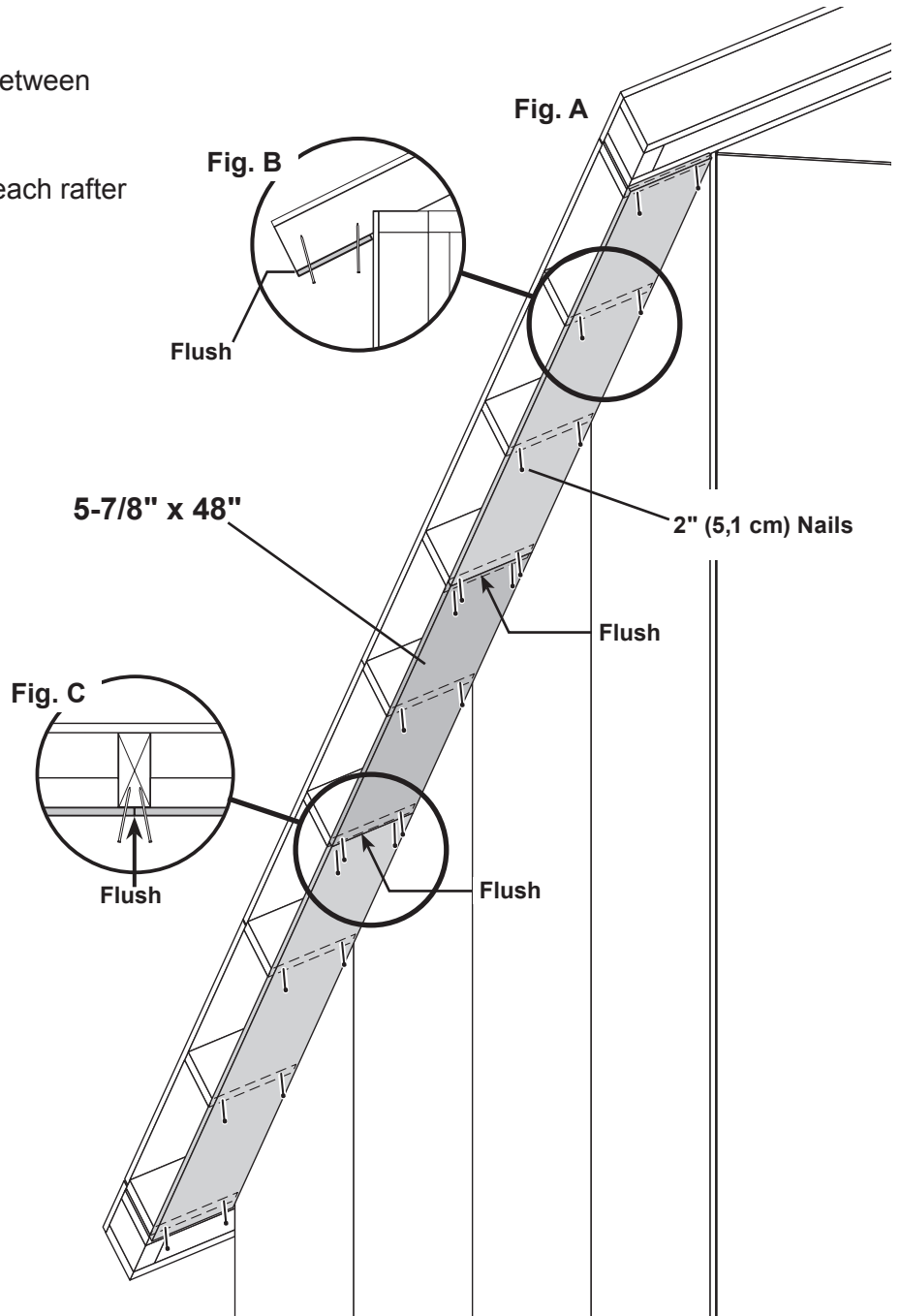
**2**

Install (2) 73" soffit panels flush to installed panel (**Fig A**).

Secure with 2" finishing nails, (2) in each rafter (**Fig B**).

Angle nails at seams (**Fig C**).

**\*\*Soffit panels may need to be trimmed to fit\*\***




*Repeat to install eave soffit panels on opposite side.*





You have finished installing your eave soffit panels.

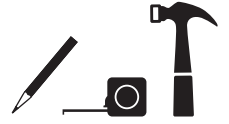
# GABLE FASCIA

## PARTS REQUIRED:

x2  Painted Red  
3/8 x 4-3/4 x 75-7/8" (1 x 12,1 x 192,7 cm)

x2  Painted Green  
3/8 x 4-3/4 x 75-7/8" (1 x 12,1 x 192,7 cm)

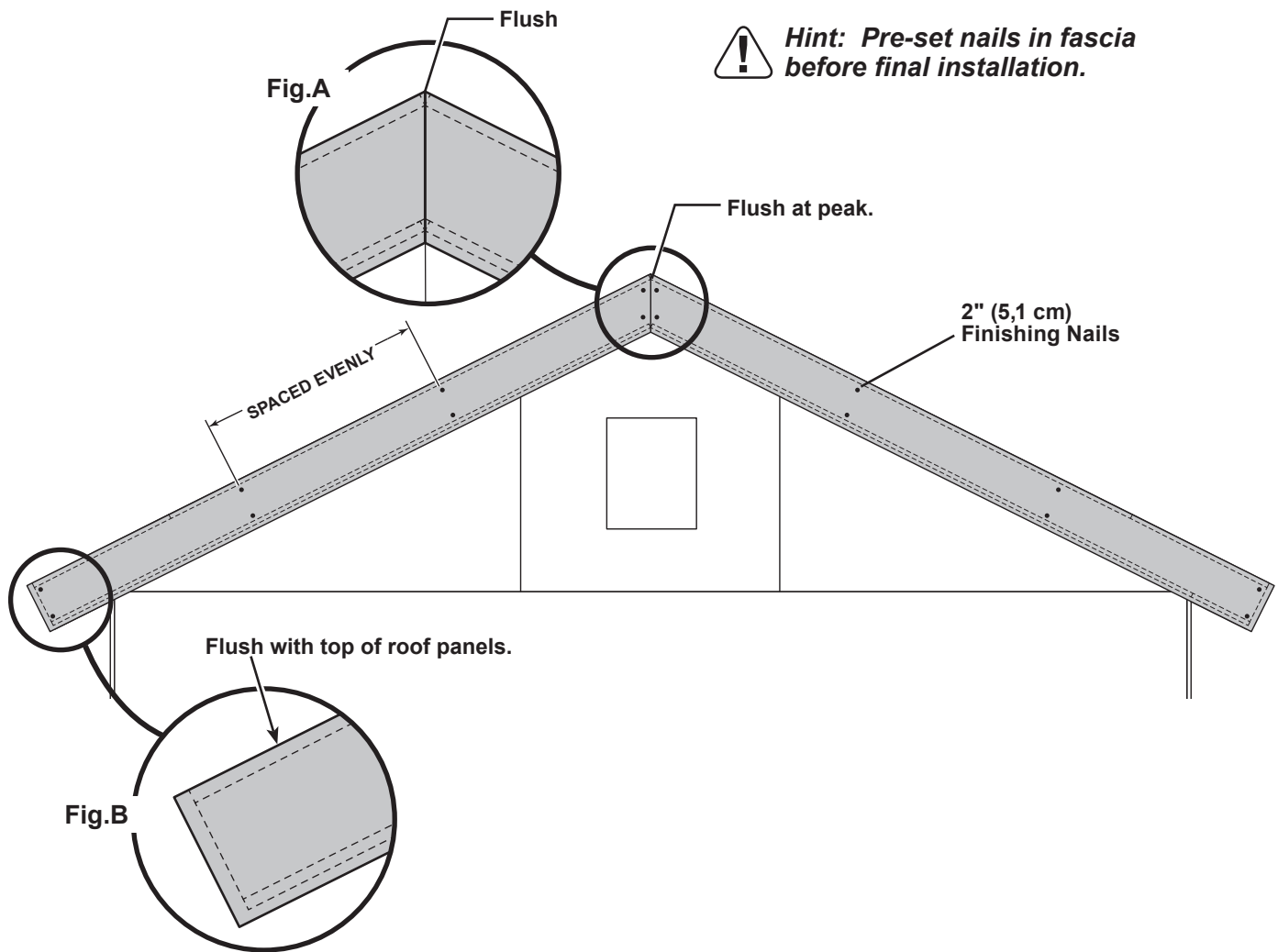
x32  2" (5,1 cm)



*Install all trim with the primed side facing out.*

### ✓ BEGIN

- 1 Position fascia with **primed side out** and flush to peak and roof panels as shown (Fig. A, Fig B). Secure with 2" finishing nails spaced evenly as shown.




*Repeat to install fascia on opposite side.*




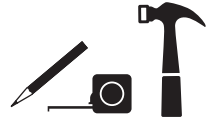
Your gable fascia boards are now installed.

## EAVE SIDE FASCIA 10'x12'

### PARTS REQUIRED:

x4   
3/8 x 4-3/4 x 80-7/8" (1 x 12,1 x 205,4 cm)

x52   
2" (5,1 cm)



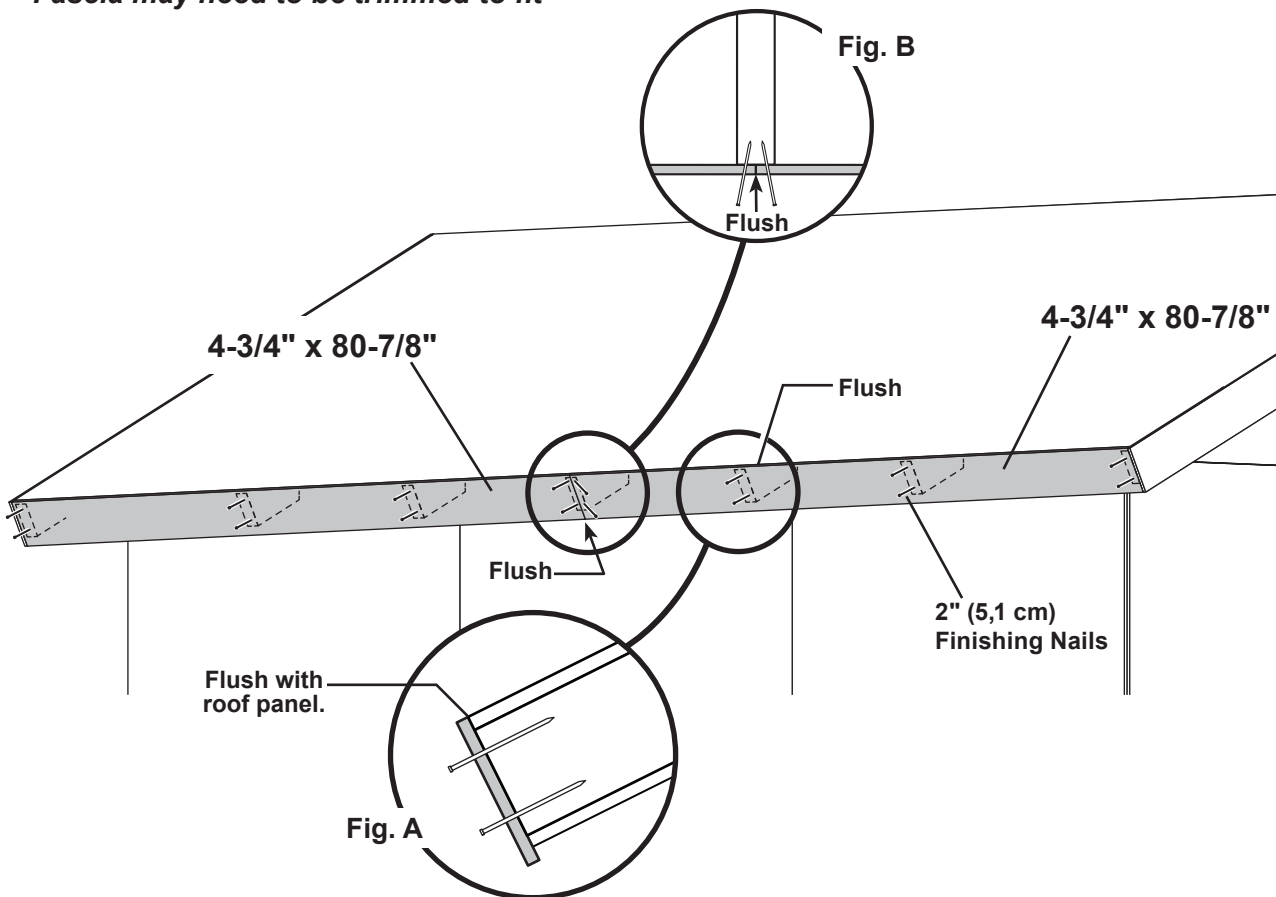
*Install all trim with the primed side facing out.*

### ✓ BEGIN

- 1 Install (2) 4-3/4" x 80-7/8" fascia boards flush with roof panels (**Fig. A**).  
Flush fascia at seam (**Fig. B**).

Secure with 2" finishing nails, (2) in each rafter and (4) nails at seam (**Fig B**). Angle nails at seam.

**\*\*Fascia may need to be trimmed to fit\*\***




*Repeat steps to install fascia on opposite eave.*





Your eave side fascia boards are now installed.

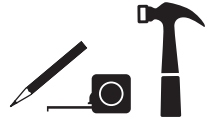
## EAVE SIDE FASCIA 10'x16'

### PARTS REQUIRED:

x2   
3/8 x 4-3/4 x 48" (1 x 12,1 x 121,9 cm)

x4   
3/8 x 4-3/4 x 80-7/8" (1 x 12,1 x 205,4 cm)

x64   
2" (5,1 cm)

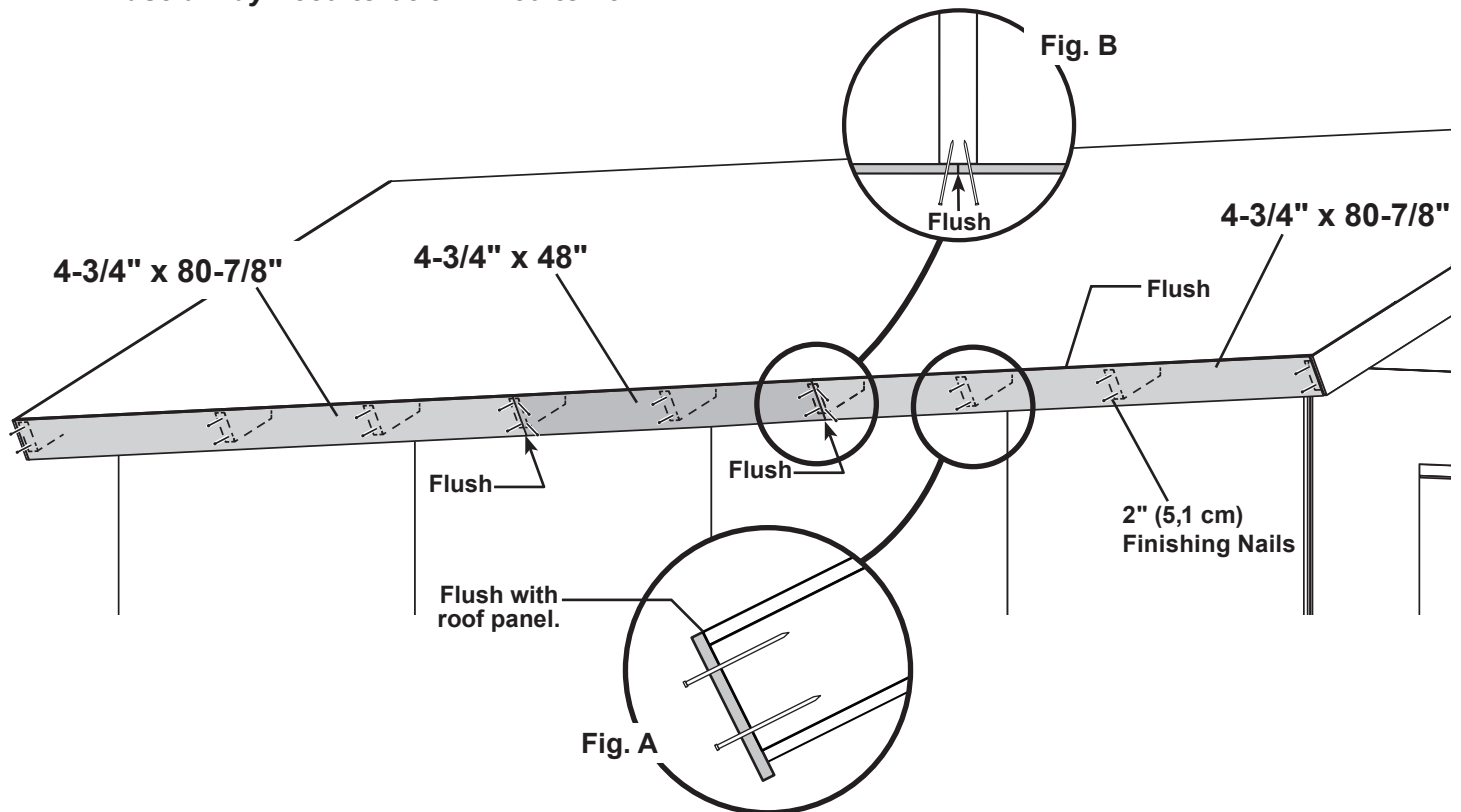


*Install all trim with the primed side facing out.*

### ✓ BEGIN

- 1 Install (1) 4-3/4" x 48" and (2) 4-3/4" x 80-7/8" and fascia boards flush with roof panels (**Fig. A**). Install 4-3/4" x 48" first, centered between 4th and 6th rafters. Flush fascia at seams (**Fig. B**). Secure with 2" finishing nails, (2) in each rafter and (4) nails at seams (**Fig B**). Angle nails at seam.

**\*\*Fascia may need to be trimmed to fit\*\***



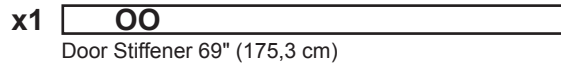
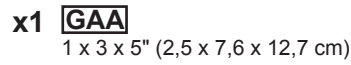
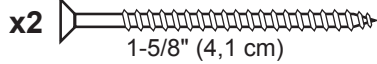
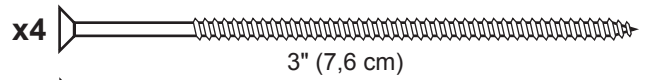
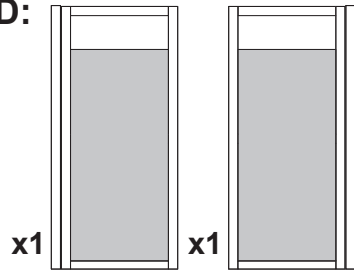
*Repeat steps to install fascia on opposite eave.*



Your eave side fascia boards are now installed.

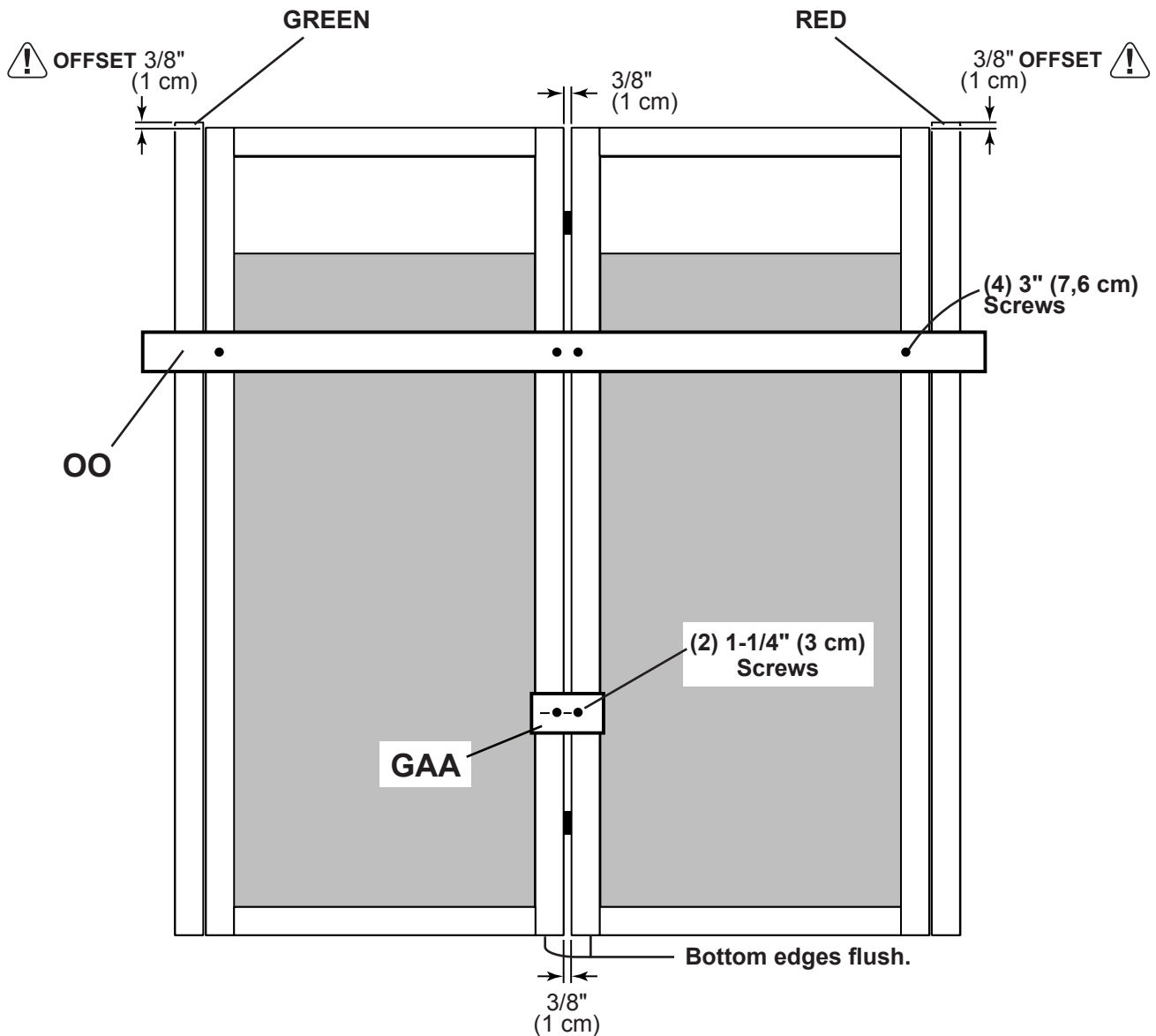
# DOORS

## PARTS REQUIRED:



### ✓ BEGIN


- 1 Arrange parts as shown on flat surface. **⚠ 3/8" offset is to top.**  
Look for red (right) and green (left) on hinge board.
- 2 Attach temporary support **OO** with 3" screws in middle and at ends, as shown.
- 3 Attach temporary support **GAA** with (2) 1-5/8" screws.



# DOORS

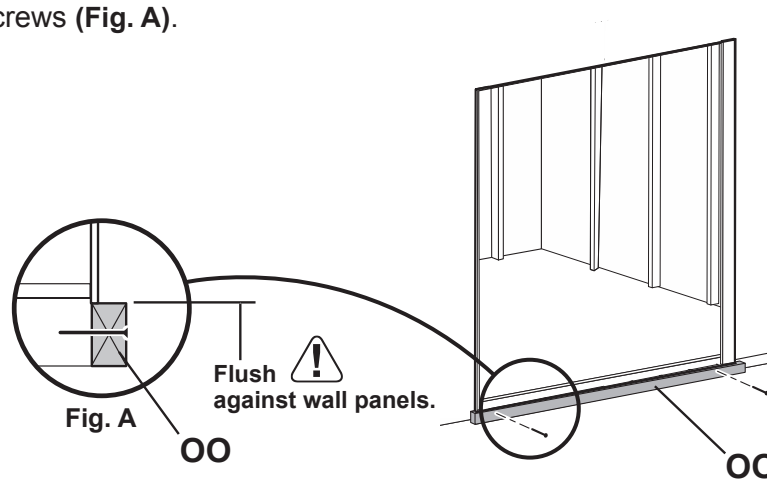
## PARTS REQUIRED:


x1 **OO**  
69" Door Stiffener (175,3 cm)


x12   
3" (7,6 cm)

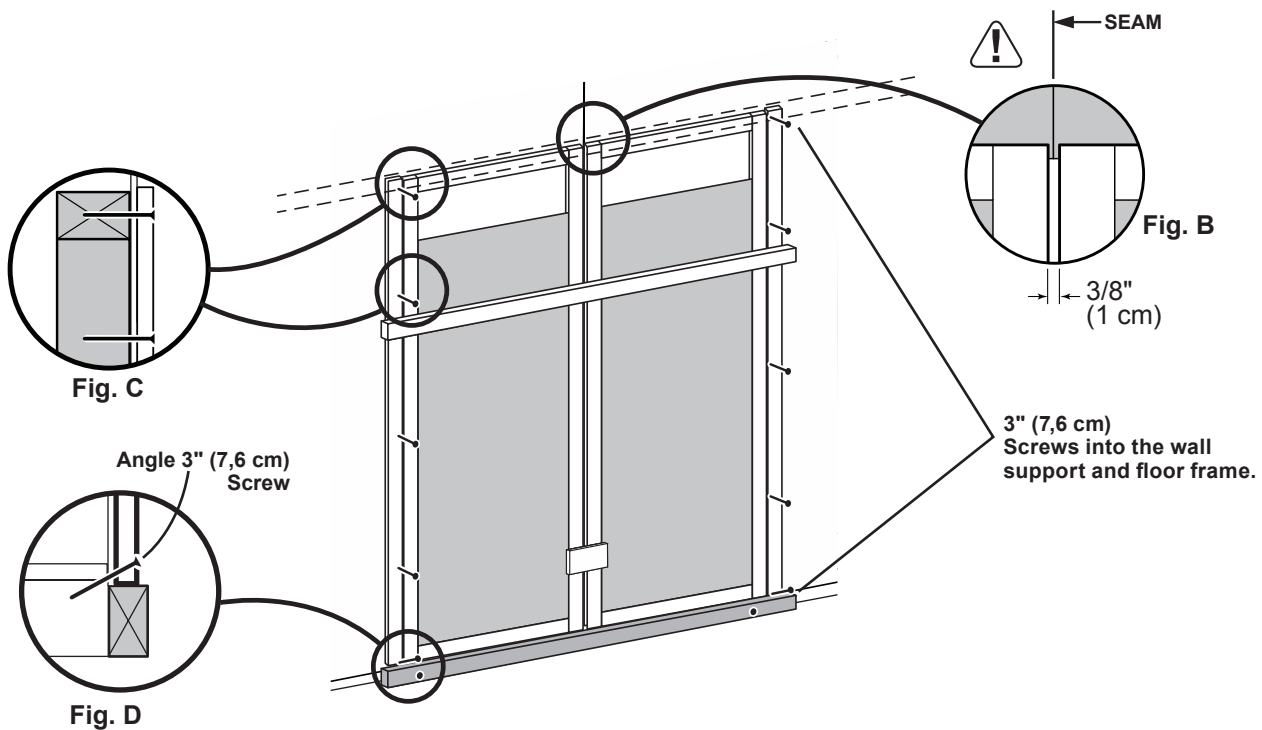


- 4 Install temporary support **OO** as a ledger board flush under wall panels for doors to rest on. Secure with (2) 3" screws (**Fig. A**).



- 5 Center doors on panel seam, as shown (**Fig. B**). 

- 6 Screw hinge boards into wall supports and floor with (10) 3" screws, as shown.  **Make sure screws go into framing and floor (Fig. C, D).**



You have finished installing your doors.


Remove temporary support and ensure that the doors open properly.


# DOOR TRIM

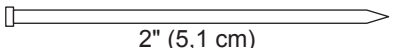
## PARTS REQUIRED:

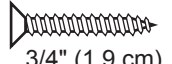
x4 **AH**  
19/32 x 3 x 26-5/8" (1,5 x 7,6 x 67,6 cm)

x1 **ZJ**  
19/32 x 3 x 72" (1,5 x 7,6 x 183 cm)

 3/4" (1,9 cm) x11  
Bagged seperately / special coating

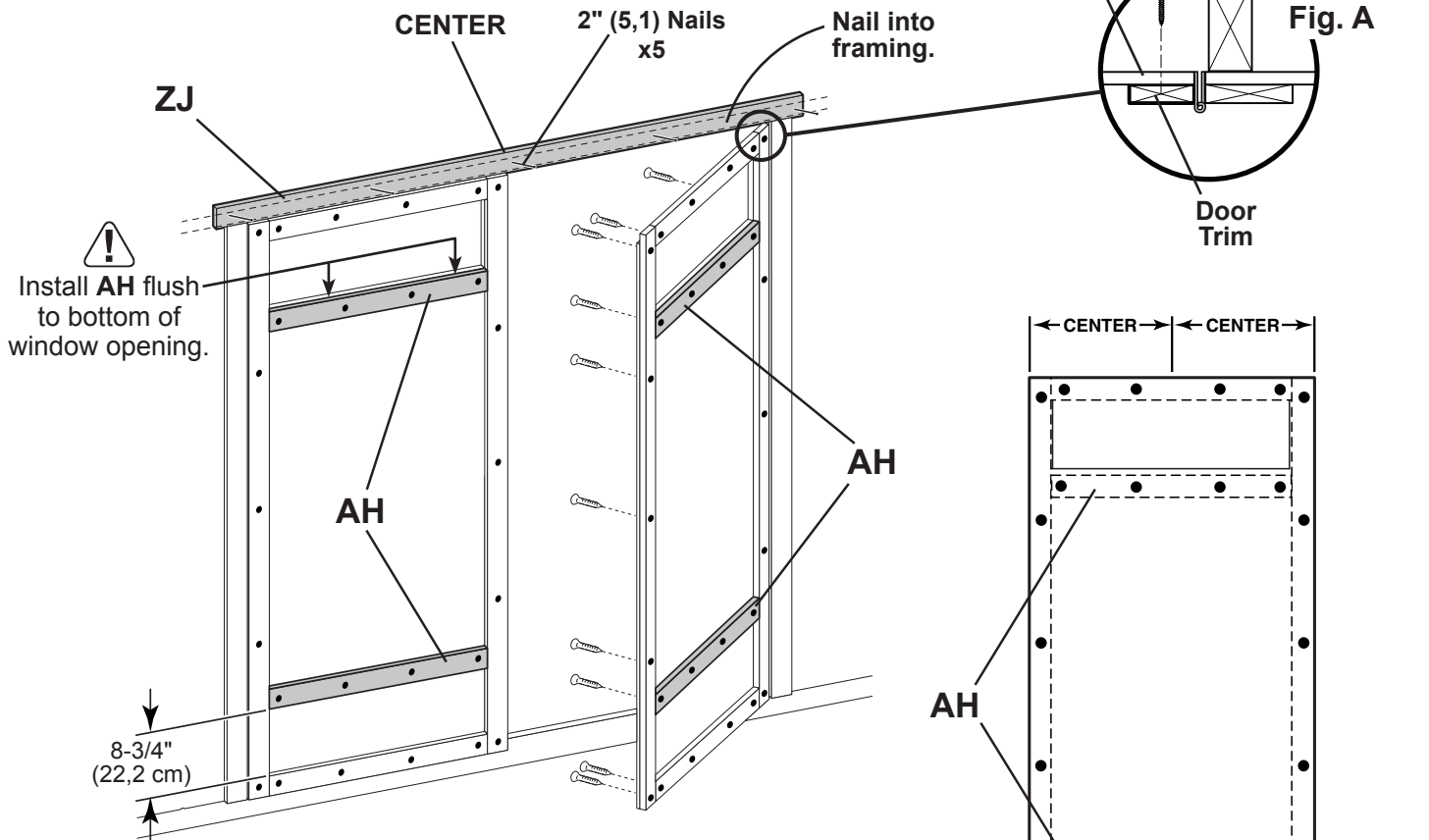
x1  64" Metal Threshold

x5  2" (5,1 cm)

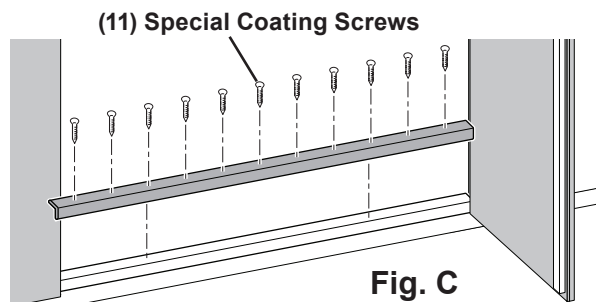
x56  3/4" (1,9 cm)

### ✓ BEGIN

- 1 Secure door trim from inside using 3/4" screws (Fig. A).
- 2 Secure two horizontal door rails AH with (4) 3/4" screws from behind to center of doors.
- 3 Reinforce the door trim with 3/4" screws through door panel into trim (Fig. A). Locate screws as shown (Fig. B).
- 4 Center trim ZJ over doors and secure using five 2" finish nails into wall framing.



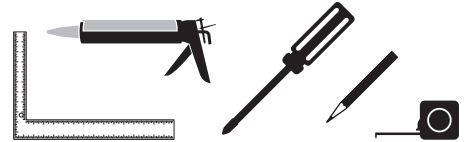
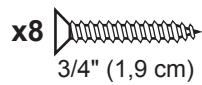
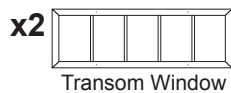
- 5 Center metal threshold between doors. secure using eleven 3/4" special coating screws (Fig. C).



Your door and trim are now secured

## DOOR TRANSOM WINDOWS

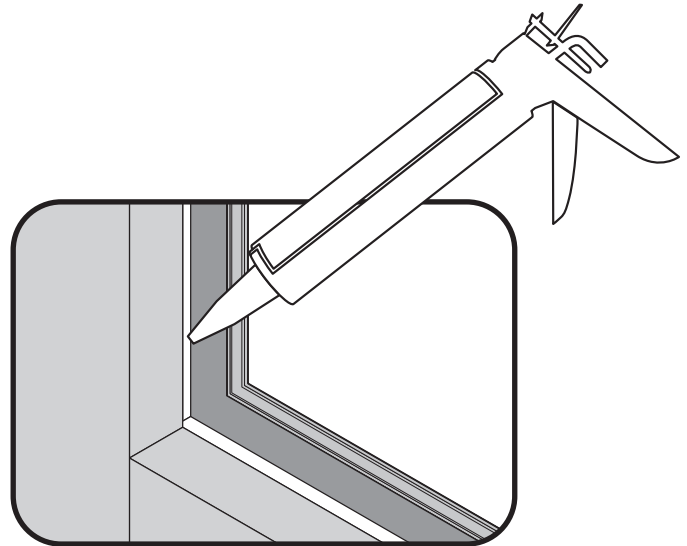
### PARTS REQUIRED:



### ✓ BEGIN

- 1 Apply high quality exterior-grade caulk behind frame near edge before installing to seal window.

You must caulk completely around window frame and all exposed door panel edges and trim to validate your warranty. Use a paintable exterior rated caulk.

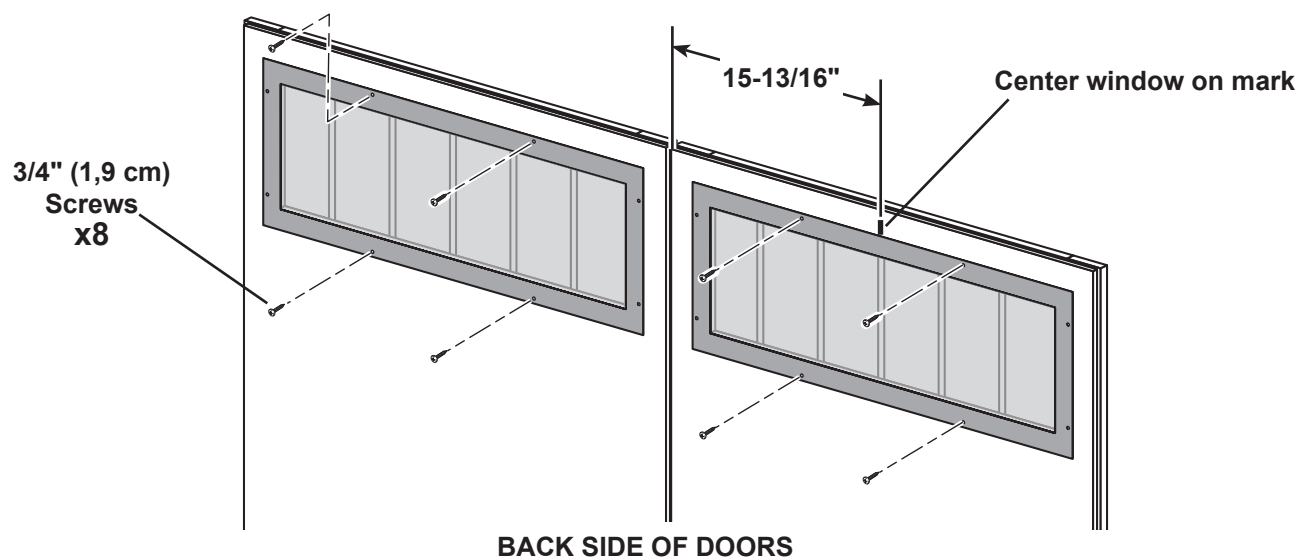


FRONT SIDE VIEW

- 2 From back side of door, measure 15-13/16" from inside edge of door. Mark center of window opening on door.

Position window in opening flush to bottom of window opening. Center window on mark.

Secure with (4) screws to secure each window.



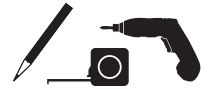
Your transom windows are installed.

# DOOR STIFFENERS

## PARTS REQUIRED:

x2 69" Door Stiffener (175,3 cm)

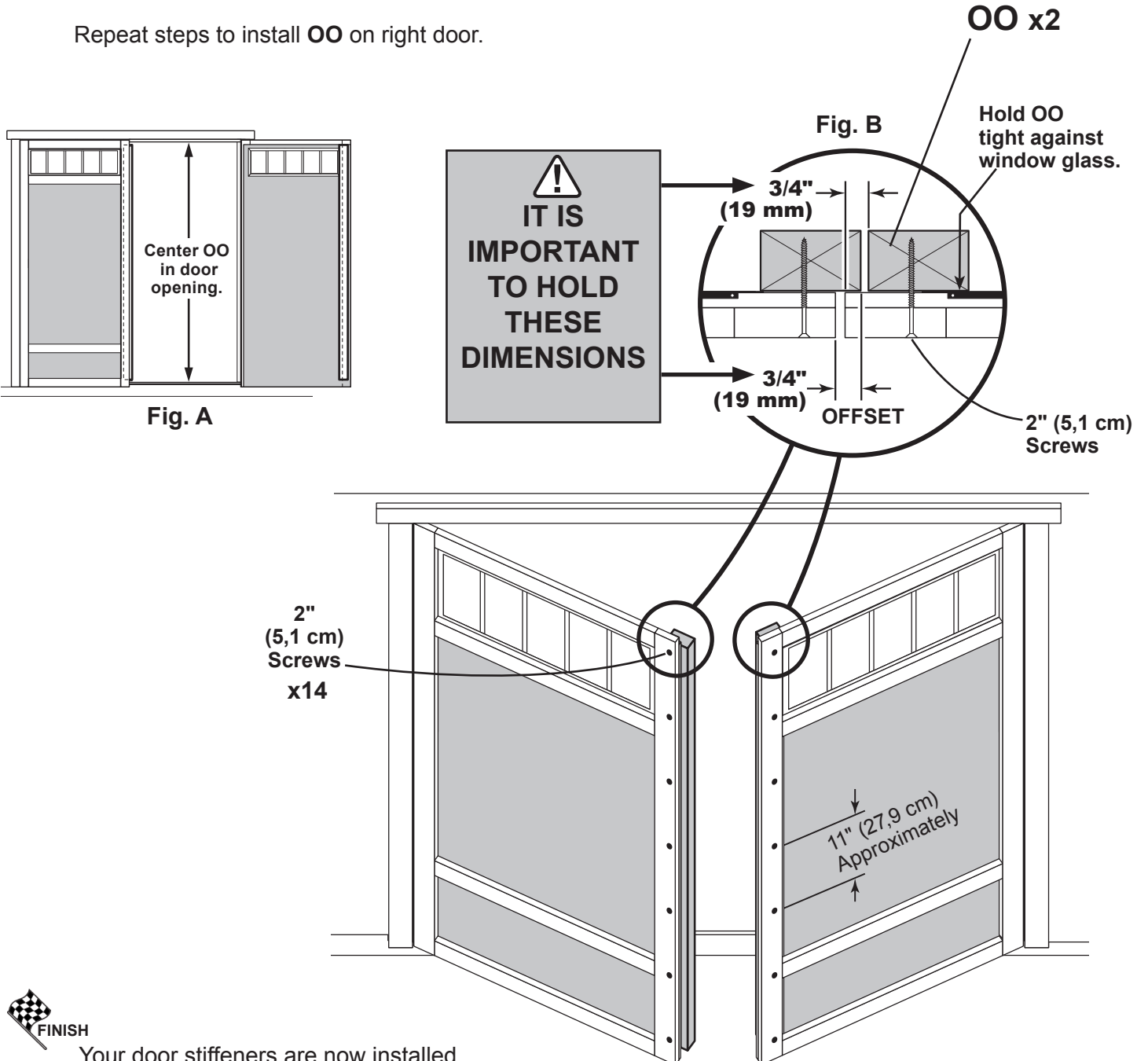
x14 2" (5,1 cm)



### ✓ BEGIN

- 1 Center **OO** vertically on the left door in the door opening flush with the edge of door (Fig. A).
- 2 Secure with (7) 2" screws through outside trim into **OO** (Fig. B)


Repeat steps to install **OO** on right door.



Your door stiffeners are now installed.

## DOOR HARDWARE

**PARTS REQUIRED:** x4 

x12   
1" (2,5 cm)

1/2" (13 mm) Drill Bit


1/4" (6 mm) Drill Bit

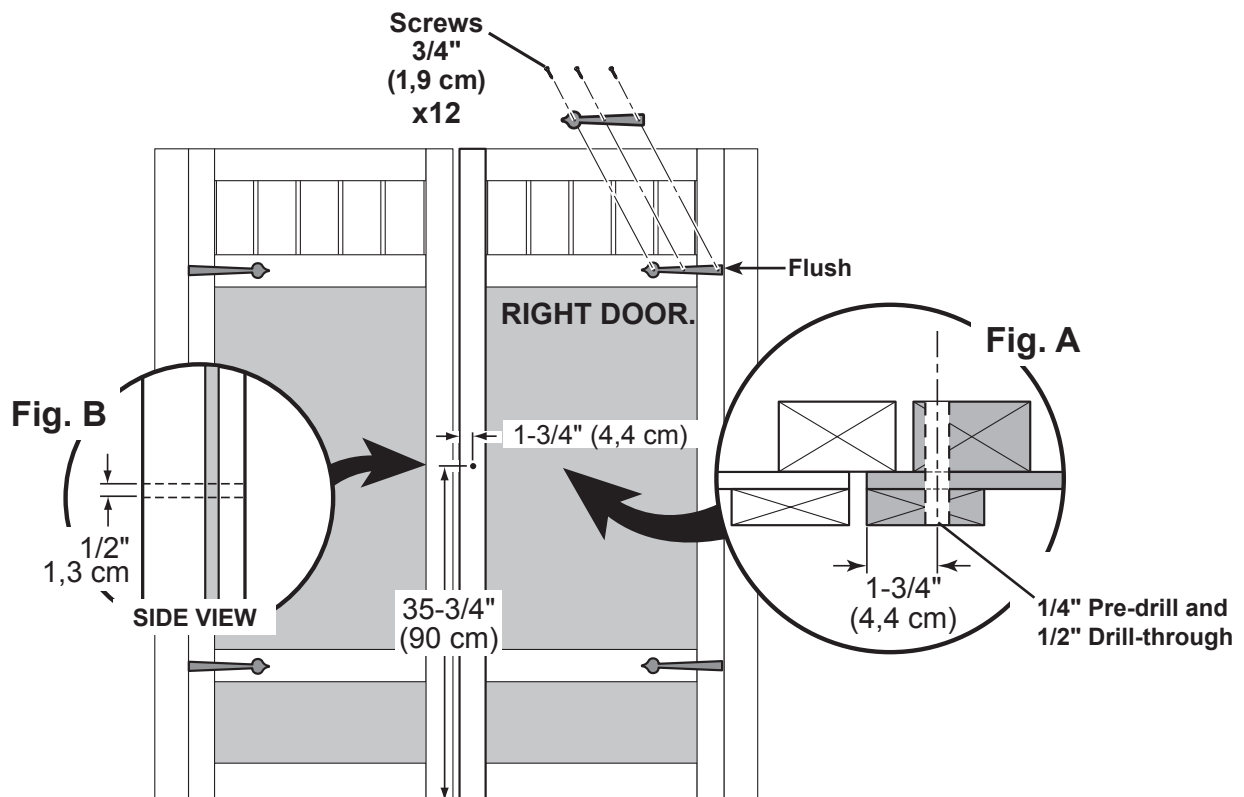


### ✓ BEGIN

**1** Measure and mark location of hole on outside of right door as shown (Fig. A).  
Pre-drill hole with 1/4" drill.

**2** Re-drill hole with 1/2" drill (Fig. B).

 Keep drilled hole square to trim to avoid breaking edge of door stiffener **OO**.



**3** Install decorative hinges on horizontal trim and flush against hinge, as shown.

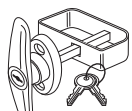


Your door is now prepared for handle installation.

# DOOR HARDWARE

## PARTS REQUIRED:

Handle (locking)  
with Screws



1-1/4" x2



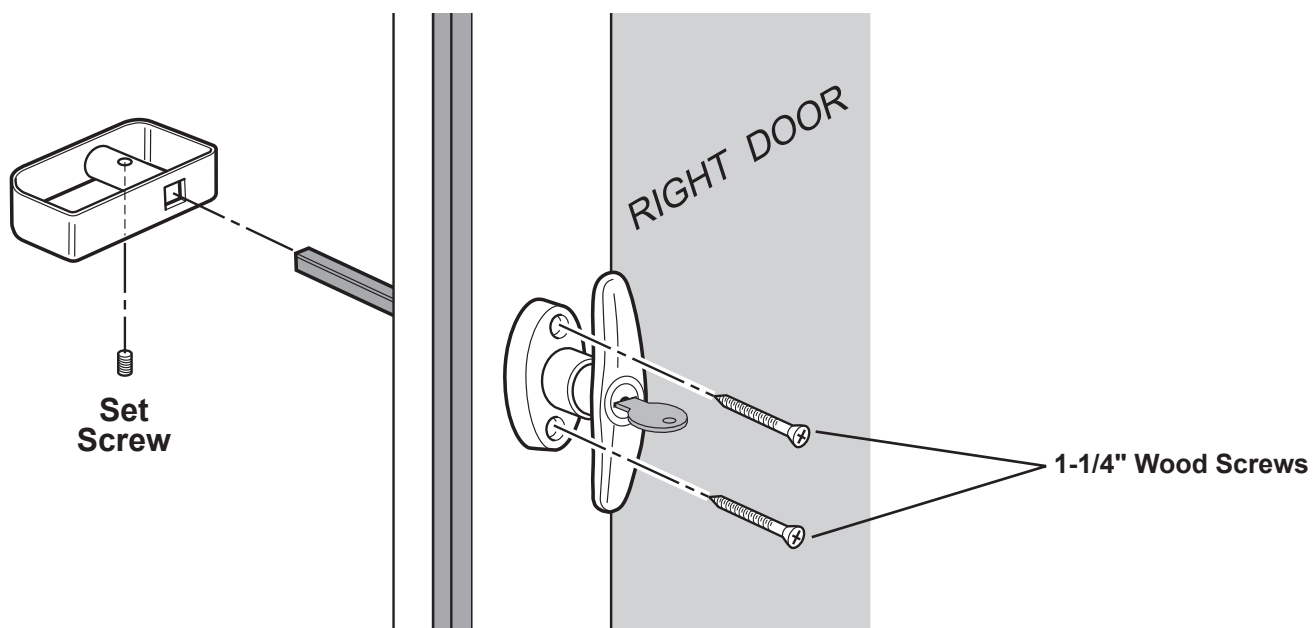
□ x1



1/2" (13 mm) Drill Bit

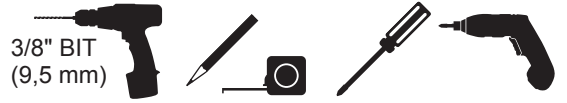
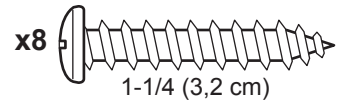
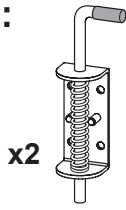
1/4" (6 mm) Drill Bit

Secure handle with 1-1/4" screws, as shown.



# DOUBLE DOOR HARDWARE

## PARTS REQUIRED:



### ✓ BEGIN

**1** Flush and center top spring bolt at the top of **OO** (Fig. A). Secure with (4) 1-1/4" screws.  
Mark spring bolt pin location on over door frame. Drill a 1-1/2" deep hole using a 3/8" drill bit.

**2** Flush and center bottom spring bolt to bottom of **OO** (Fig. B). Secure with (4) 1-1/4" screws.  
Mark spring bolt pin location on floor. Drill a 1-1/2" deep hole using a 3/8" drill bit.

Fig. A

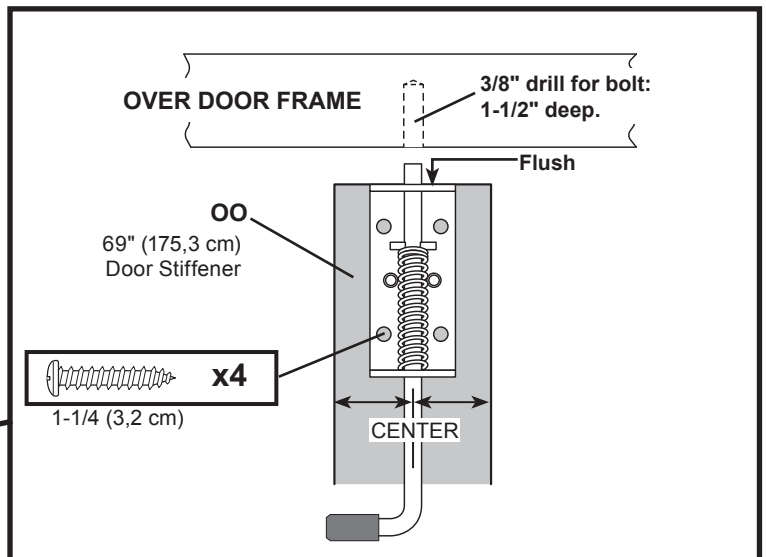
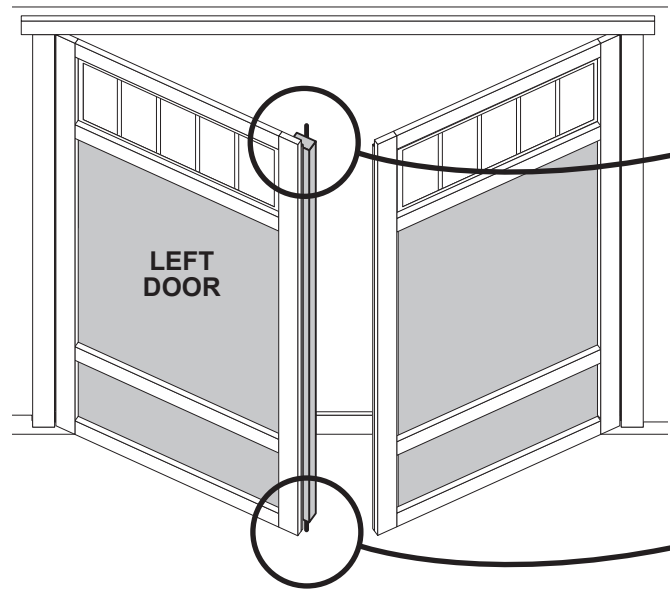
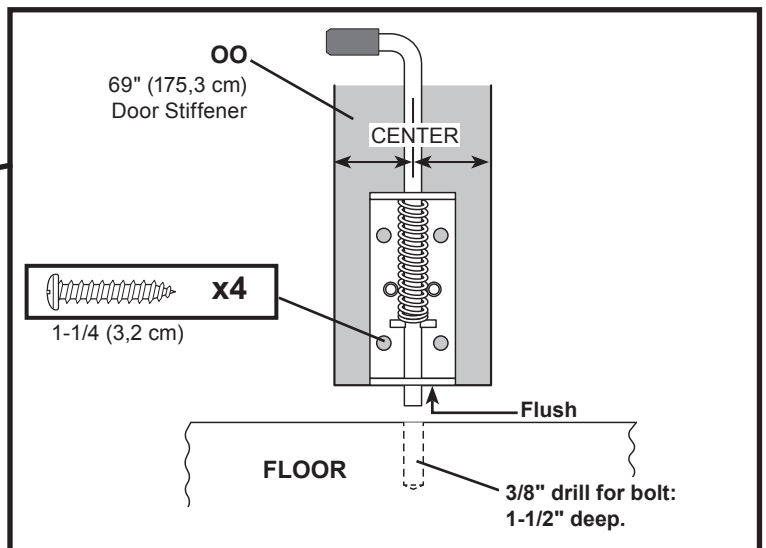




Fig. B



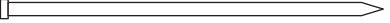
Your spring bolts are now installed.

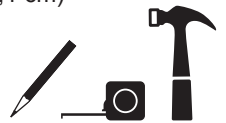
# CORNER TRIM

## PARTS REQUIRED:

- x4**  3/8 x 1-3/4 x 82-1/2" (1 x 4,4 x 209,6 cm)
- x4**  3/8 x 1-3/4 x 81-7/8" (1 x 4,4 x 208 cm)



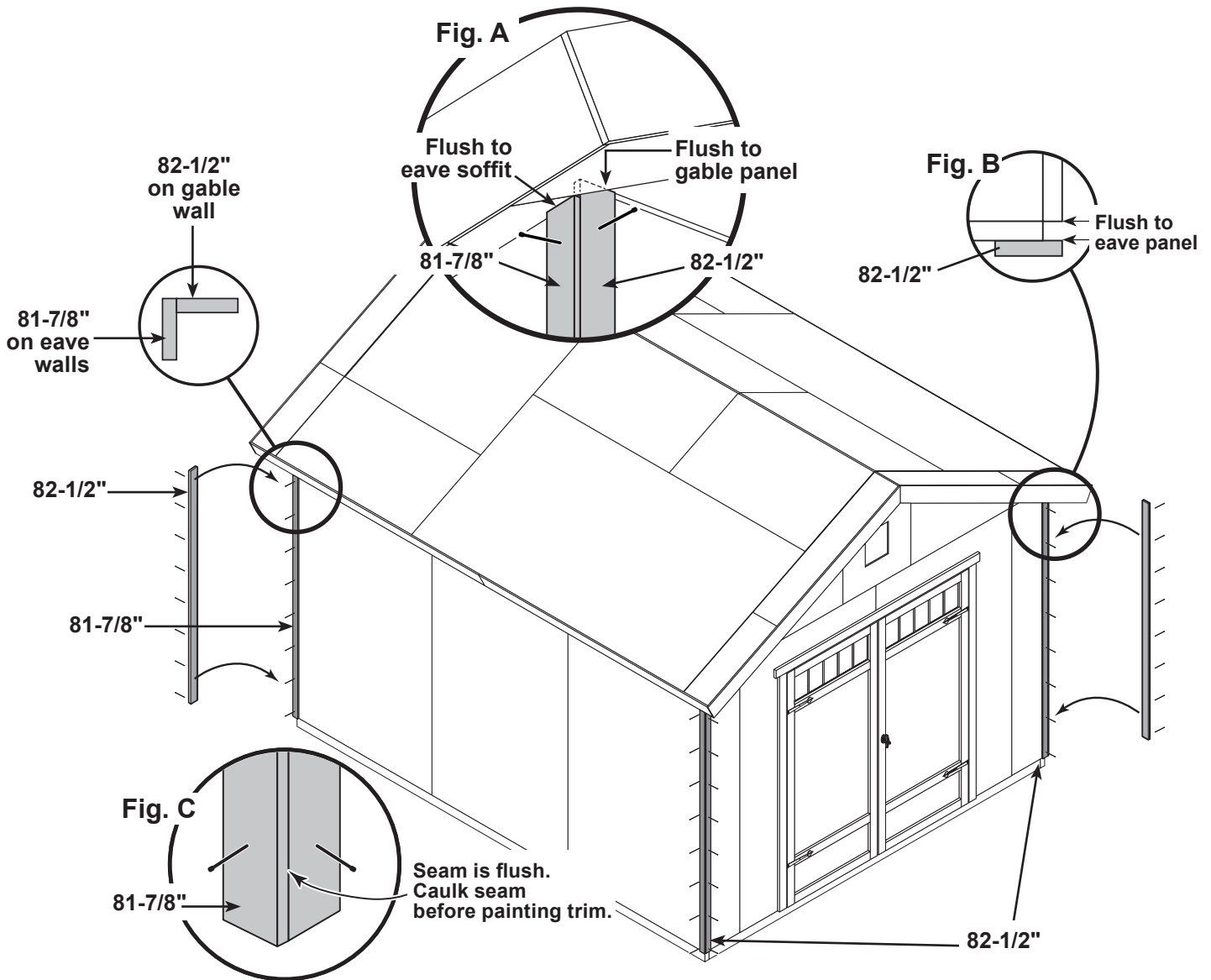
**x64**  2" (5,1 cm)



**BEGIN**

- 1** Install gable end **82-1/2"** corner trim flush to gable panel (**Fig. A**) and flush with eave wall panel (**Fig. B**). Secure with 2" finishing nails spaced evenly.
- 2** Install eave side **81-7/8"** corner trim flush to eave soffit and flush along seam of installed corner trim (**Fig. C**). Secure with 2" finishing nails spaced evenly.

Repeat steps to install trim to all four corners.



Your corner trim is now installed.

NOTE: 10' x 12' Model Shown.

# COLLAR TIE INSTALLATION

## PARTS REQUIRED:



**HJ**  
1 x 3 x 72" (5,1 x 10,3 x 183 cm)

2" (5,1 cm)

10x12' 10x16'

x2 x3

x12 x18

### ✓ BEGIN

- 1 Install collar tie to the rafter with (3) 3" nails at each end (Fig. A).

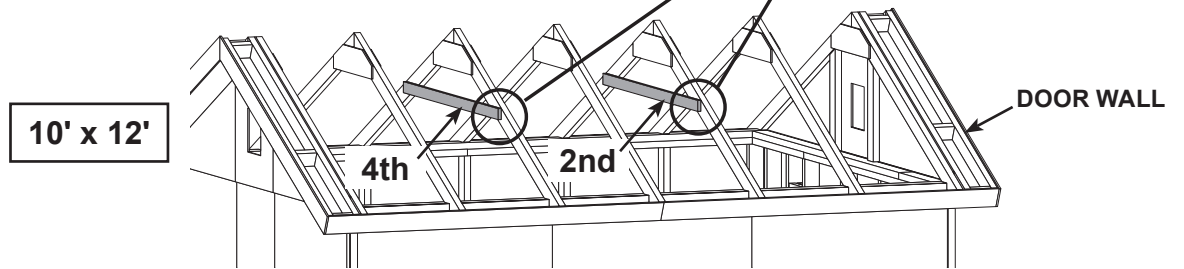
Starting at the wall with the door, install first collar tie on the 2nd rafter from the door wall and then on **every other** rafter, as shown.



Fig. A

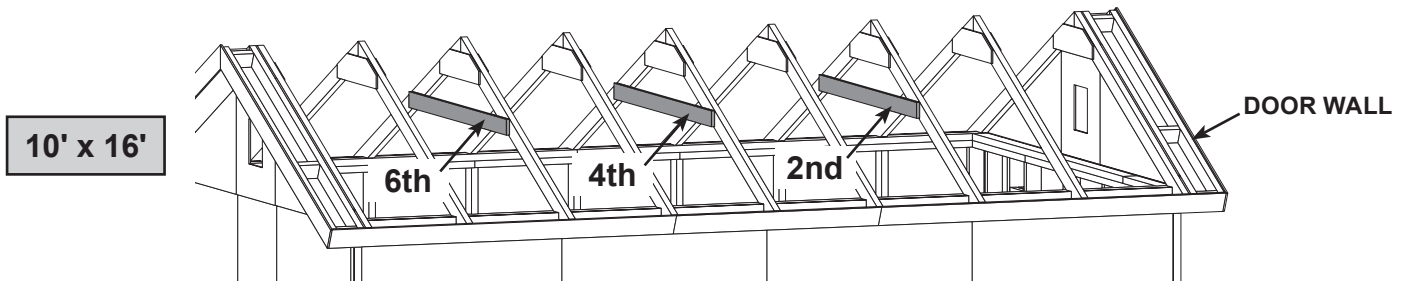
2" (5,1 cm) Nails

Flush to roof panel



### HINT:

For best appearance, install collar ties on back side of rafter.

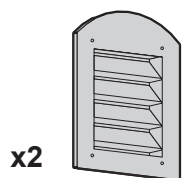


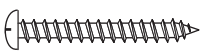
### FINISH

Your collar ties are now installed.

## GABLE VENTS

### PARTS REQUIRED:



x8   
#8 x 1" (2,5 cm)  
Pan Head Screws

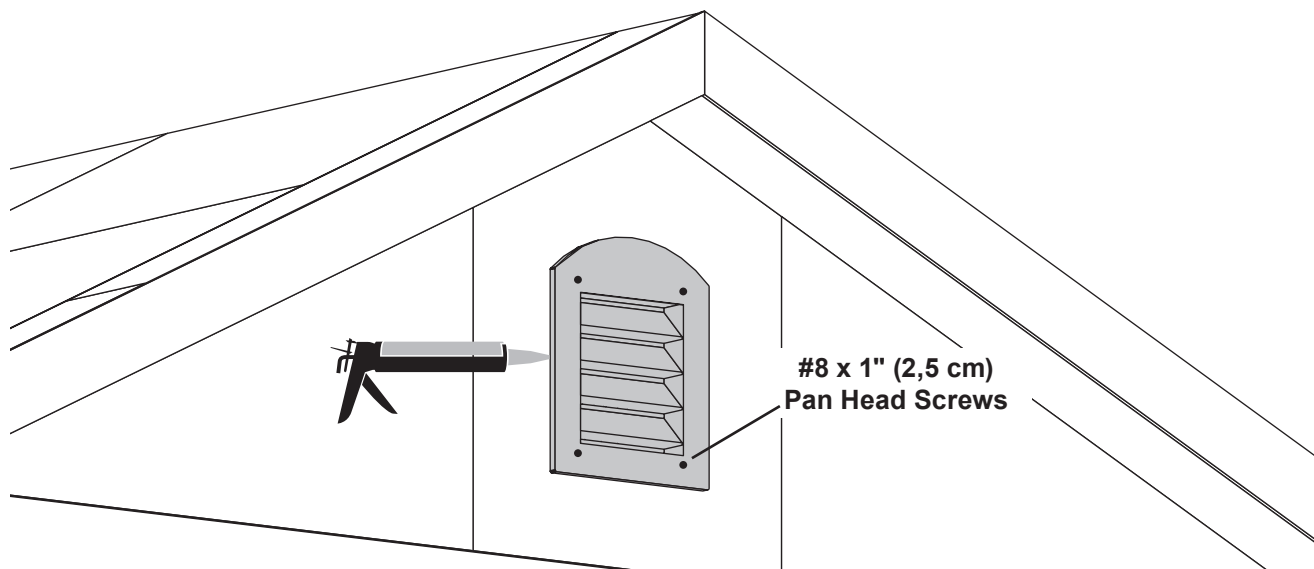


 **BEGIN**

- 1** Locate vent in the gable wall, as shown.  
Seal vent from behind with exterior grade caulk before installing.

Secure vent with 1" screws.

Repeat to install 2nd vent in the opposite gable.



 **FINISH**

Your vents are now installed.

## PAINT & CAULK - NOT INCLUDED -



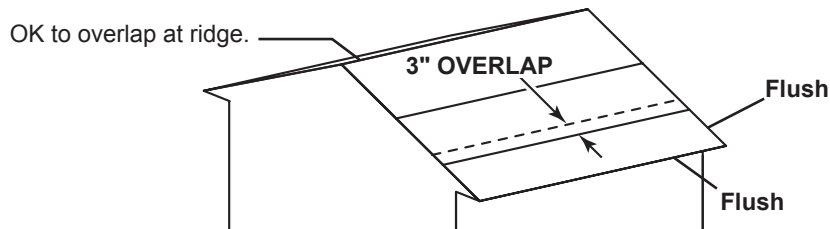
- Use acrylic latex caulk that is paintable. Caulk at all horizontal and vertical seams, between the trim and walls, and all around the door trim.
- Use a high quality exterior acrylic latex paint. When painting your building, there are a few key areas that can be easily overlooked that must be painted:
  - Bottom edge of all siding and trim
  - Inside of doors and all 4 edges

### Note:

Prime all un-primed exterior wood before painting.  
(Follow directions provided by manufacturer.)

## ROOF FELT - NOT INCLUDED -

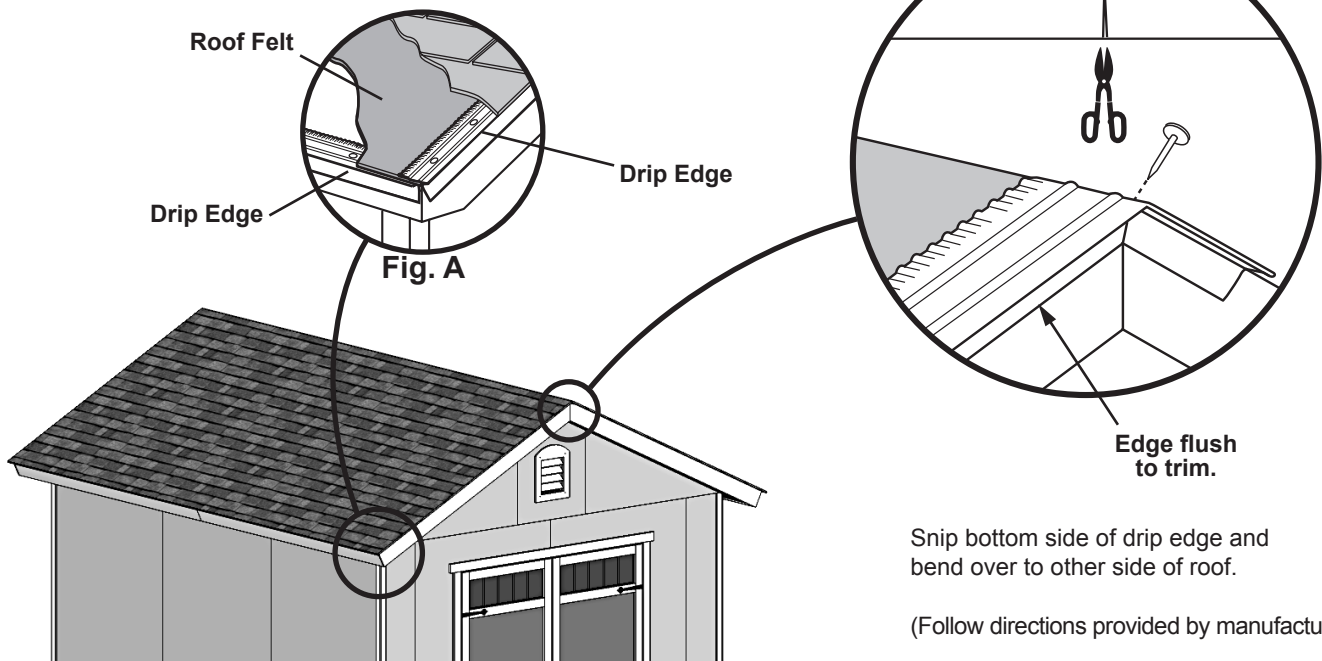
- Install felt flush to all roof edges overlapping 3". Use minimal amount of roofing nails to hold in place.



## DRIP EDGE - NOT INCLUDED -

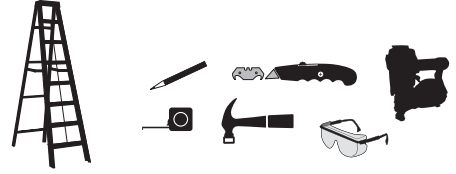


- Install drip edge over roof felt on gable side and under roof felt on eave side (**Fig. A**).
- Do not use nails on side of drip edge that hangs over side of building.
- Only nail top of drip edge as shown.

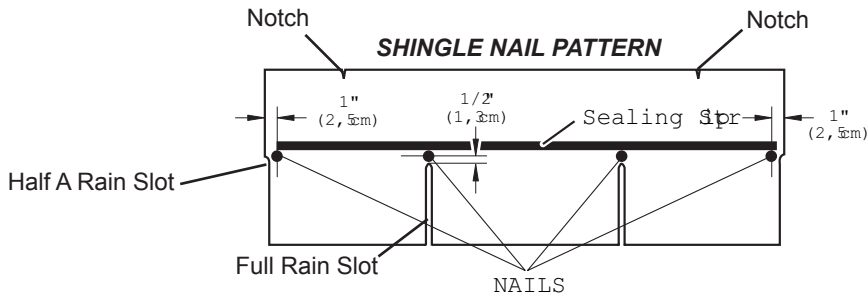


# SHINGLES - NOT INCLUDED -

• Follow directions provided by manufacturer and these instructions.



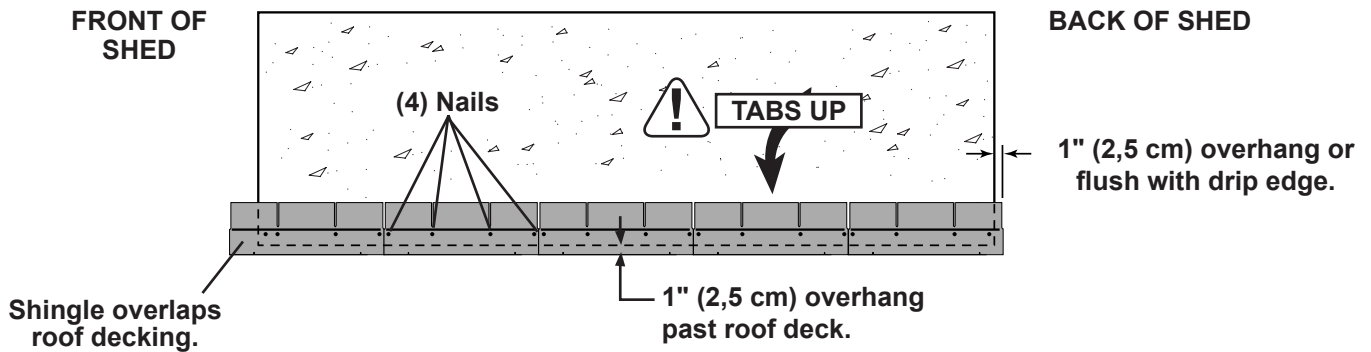
**!** Familiarize yourself with a 3-Tab Shingle.



**!** NEVER DRIVE FASTENERS INTO OR ABOVE SEALING STRIPS.

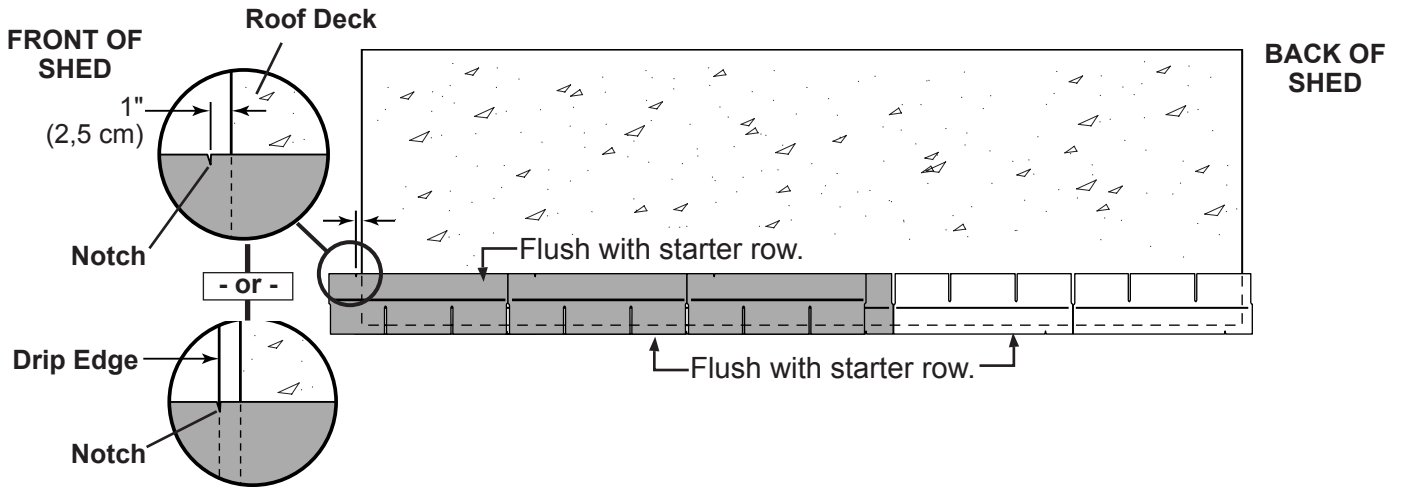
**✓** BEGIN

- 1** Install first starter row upside down and color up with a 1" overhang at back and bottom of roof panel. Use (4) nails per shingle. **Starter row must be straight and level all the way across with lower edge of roof deck.**  
NOTE: If you have installed drip edge install shingles flush to drip edge.

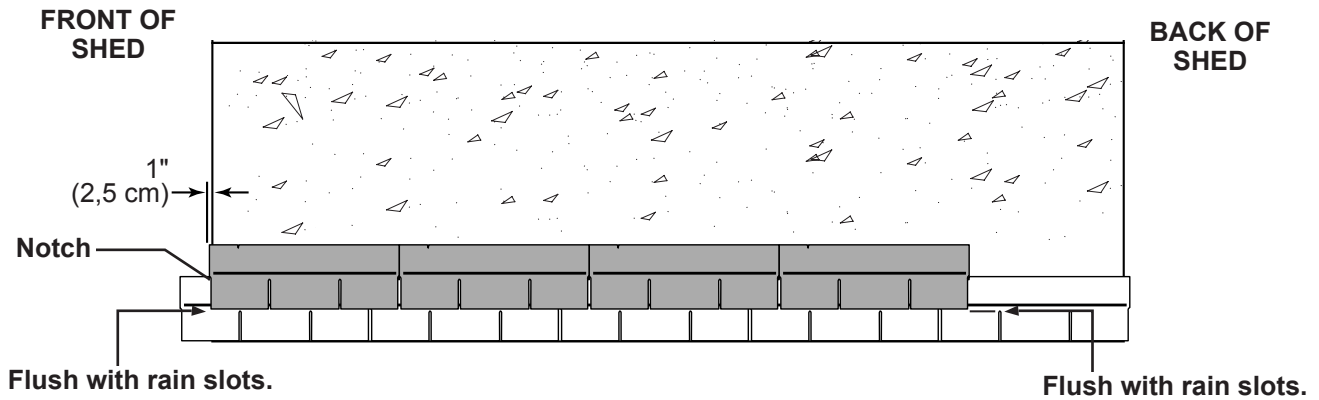


# SHINGLES continued...

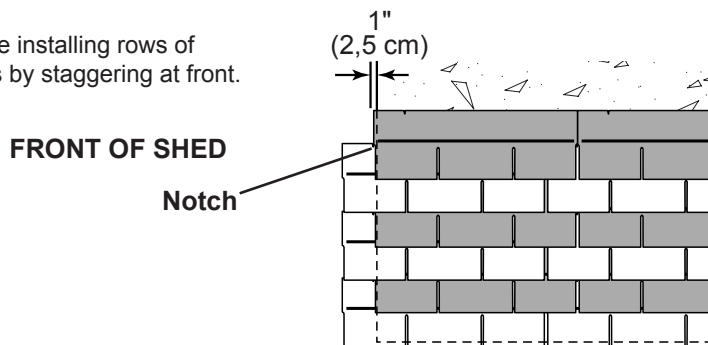
- 2 Beginning at front of shed, install first row of shingles with notch at 1" past roof edge or flush with drip edge.



- 3 Install second row of shingles flush at top of first row's rain slots. Ensure 1" overhang or flush to drip edge at front, stagger each row.



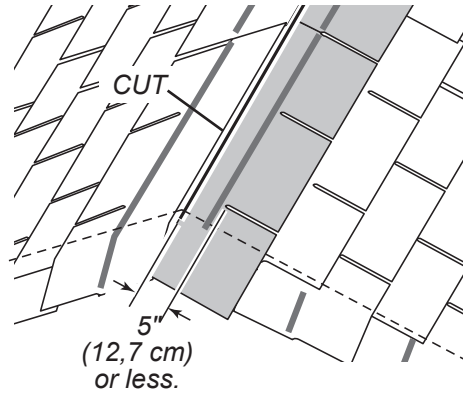
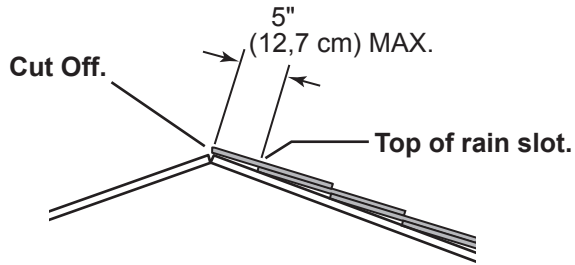
- 4 Continue installing rows of shingles by staggering at front.



# SHINGLES

continued...

- 5** Continue installing rows of shingles to the peak. At the peak make sure there is a maximum of 5" or less to the rain slot, as shown below. If shingles overlap at ridge cut to peak with a utility knife.

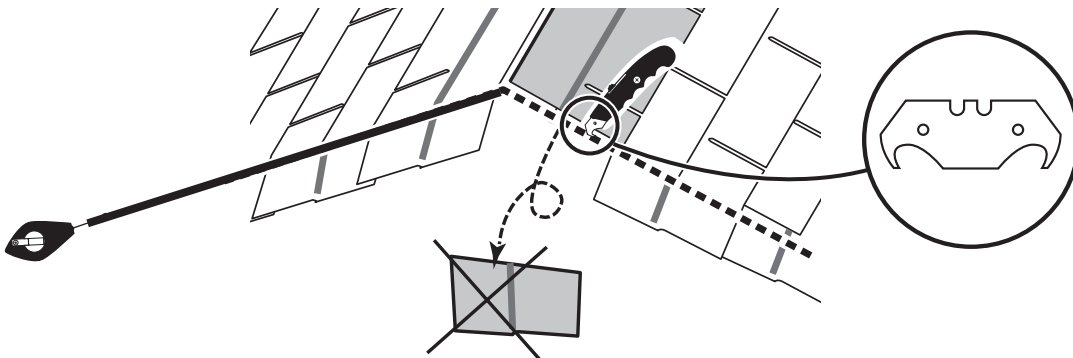


- !** • If more than 5" to rain slot you must install another row of shingles.

- 6** Repeat steps 1 - 5 to shingle the opposite side of your roof. Trim shingles at ridge.

- 7** Once both sides are shingled you need to trim ends. Strike a chalk line 1" from edge.

- 8** Using your shingle hooked blade carefully cut shingles along chalk line.

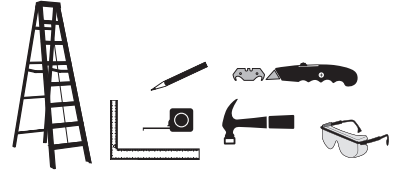


You have finished shingling your roof. Proceed to capping the ridge.

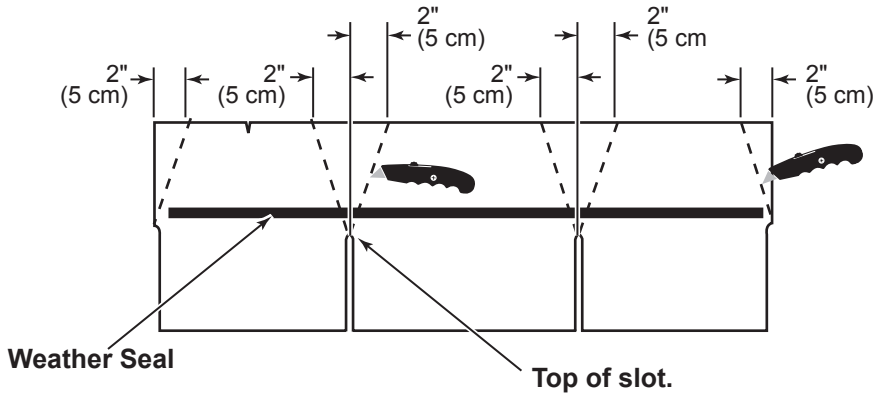
# SHINGLES - RIDGE CAP

• You will finish off the top of the roof with a ridge cap made from shingles.

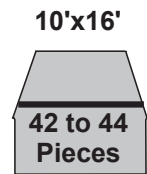
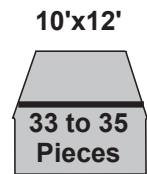
✓ **BEGIN**



**1** Cut shingles into THREE pieces. **Hint:** Use cut-off pieces first.

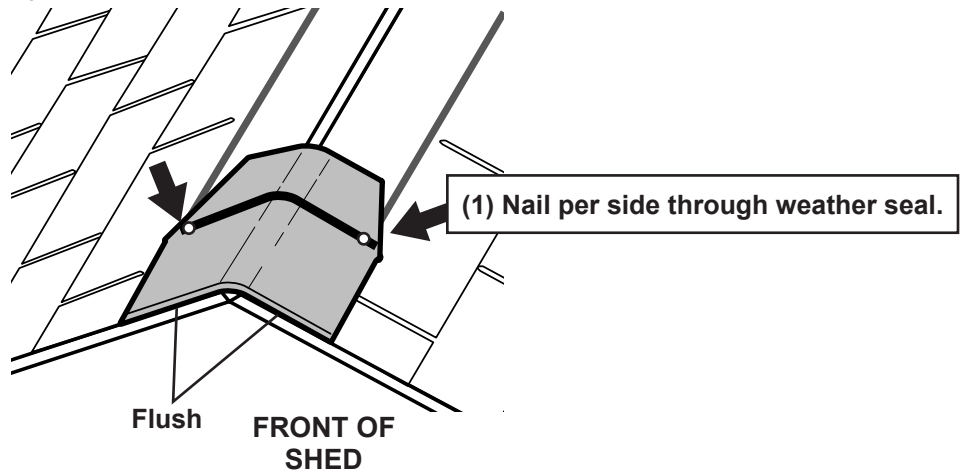


Score shingle, then snap-off angled cut.

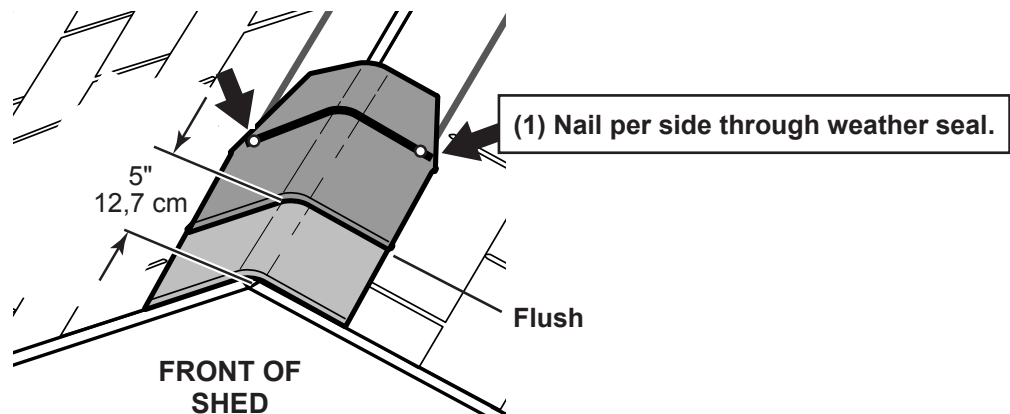


**Note:** • You will need about 33 - 44 cut pieces.

**2** Install first ridge cap flush to shingles at front, as shown.

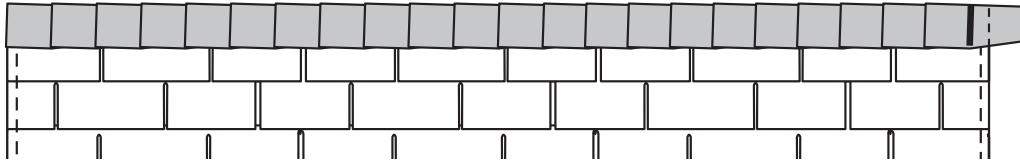


**3** Install second ridge cap 5" back, as shown.

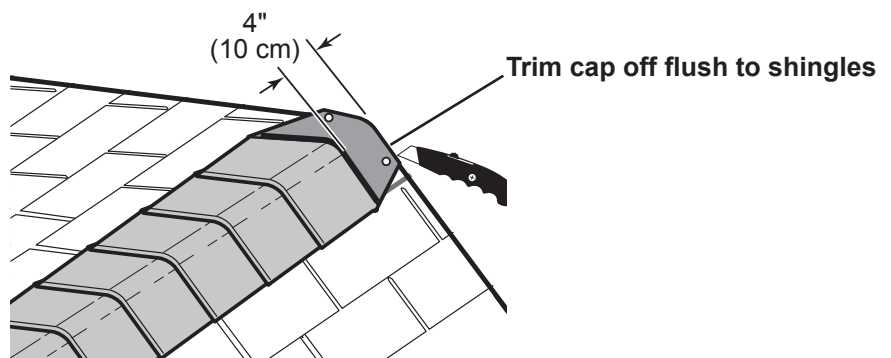


## SHINGLES - RIDGE CAP continued...

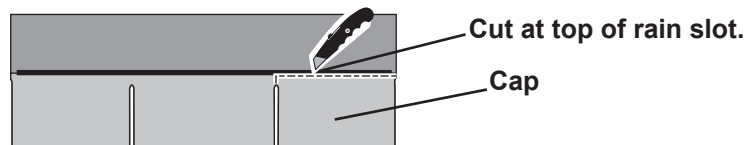
- 4 Continue installing ridge cap to back of roof.



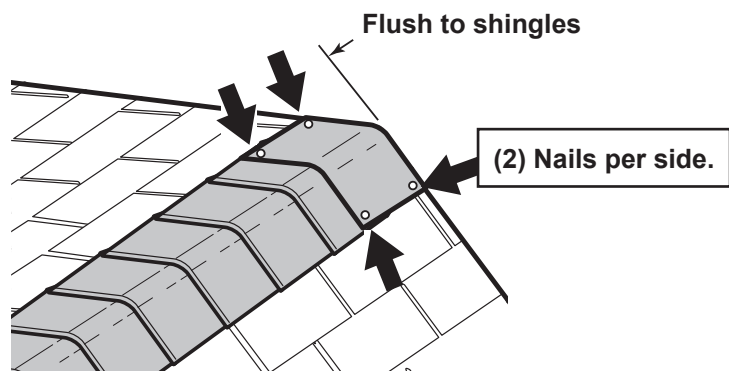
- 5 Make sure there is 4" between the shingle-color and edge of shingles.



- 6 When you have 4" minimum of shingle color cut one piece to cap your roof.



- 7 Install flush to shingles.



You have finished your ridge cap.

## 16835-W 10' x12' Order Form

CATEGORY	PART DESCRIPTION	PART SIZE	PART ITEM #	BUILDING QTY.	PART ID
<b>2 X 3</b>	Window Crippler	2 X 3 X 8" SOFFIT FILLER	Q 0800000000	1	RGF
<b>2 X 4</b>	Overhang Blocking & Gable Framing	2 X 4 X 4-7/8" OVERHANG BLOCK	O 0414000000	12	CLA
	Sidewall Top & Bottom Plate "A"	LUM SPF 2X4X92-5/8 #2&BTR	12305	4	TJ
	Sidewall Top & Bottom Plate "B"	2 X 4 X 44 3/8" PLATE	O 4406000000	2	HVC
	Front / Back Wall Plate "B"	2 X 4 X 20 3/8" DOUBLER	O 2006000000	2	JBD
	Rake Framing	2 X 4 X 75-1/4" 26.5" O/E	O 75042605000	8	ECA
	Rafters	2 X 4 X 75-1/4" 26.5" O/E	O 7504260500N	14	ECN
	Wall Studs	2 X 4 X 78 1/2"	O 7808000000	23	AI
	Door Studs / Sidewall Top Plate	2 X 4 X 68-1/2"	O 6808000000	6	YFA
	Front / Back Wall Doubler "B"	2 X 4 X 24" DOUBLER / PLATE	O 2400000000	2	RL
	Gable Panel Filler / Over Door Crippler	2 X 4 X 6 1/2" OVER DOOR	O 0608000000	3	UY
	Front/Back Wall Plates / Doubler "A"	LUM SPF 2X4X96 #2&BTR	12306	4	TP
	Sidewall Doubler "B"	2X4X48" DOUBLER/ PLATE/ CRATE	O 4800000000	2	SP
	Front Wall Top Plate "A"	LUM SPF 2X4X84 #2&BTR	12307	2	TO
	Front Wall Top Plate "B"	2 X 4 X 36"	O 3600000000	2	SL
Door Header	2 X 4 X 67"	O 6700000000	2	AM	
Gable Connector	2 X 4 X 23-1/4" @ 26.5" GABLE	O 23042605000	4	UV	
<b>1 X 3 PINE</b>	Gauge Block	1 X 3 X 5" PINE FILLER	U 0500000000	1	GAA
	Collar Tie	LUM SPF 1X3 X 72" PART & PRE-	U 7200000000	2	HJ
<b>7/16 OSB</b>	Roof Panel "A"	OSB 7/16" x 4' x 8'	11110	2	---
	Roof Panel "B"	* 7/16" X 27-1/4" X 48" OSB PANEL	C 4800270400S	6	---
	Roof Panel "C"	7/16" OSB 47 7/8" X 48" ROOF	C 48004714000	2	---
	Gable Roof Panel "A"	7/16" X 8-5/8" X 48" ROOF PANEL	C 48000810000	4	---
	Gable Roof Panel "B"	5/8" X 8-5/8" X 27-1/4" ROOF PANEL	C 27040810000	4	---
	Door Header Filler	7/16" OSB 3 1/4" X 66 3/4" HEADER	C 66120304000	1	---
<b>GUSSETS</b>	Gusset	EZ 8" 6" X 24" GUSSET 28"-	J 24000600280	12	---
<b>NO GROOVE SIDING</b>	Wall panel at Door -RIGHT	3/8"NG RT PANEL@DOOR (33445,	K 84004800510	1	---
	Wall panel at Door -LEFT	3/8"NG LT PANEL@DOOR (33445,	K 84004800520	1	---
	Front Sidewall Panel	NG 11-7/8" X 84" WALL PANEL	K 84001114000	2	---
	Backwall & Sidewall Panel	SIDING NGSE 3/8X4'X7'	11507	8	---
	Sidewall Panel "B"	NG 23 7/8" X 84" WALL PANEL	K 84002314000	1	---
	Center Gable Panel w/ Hole	3/8" NG 23-7/8" X 34" CENTER	K 34002314000	2	---
	Gable Panels - RIGHT	3/8"NGx 28"x 48"RT GABLE	K 48002800110	2	---
	Gable Panels - LEFT	3/8"NGx 28"x 48"LT GABLE	K 48002800210	2	---
	Gable Soffit	3/8" NG 7-7/8" X 73-5/16"	K 73050714000	4	---
	Eave Soffit	3/8" NGx5-7/8" X 73"	K 73000514000	4	---
	Eave Fascia	3/8" NGx4-3/4" X 80-7/8"	K 80140412000	4	---
	Gable Trim-RIGHT	3/8" NG 4-3/4" X 75-7/8" 26.5	K 75140412100	2	---
	Gable Trim-LEFT	3/8" NG 4-3/4" X 75-7/8" 26.5	K 75140412200	2	---
Corner Trim Eave Side	3/8"NGx1-3/4"x 81-7/8" TRIM	K 81140112000	4	---	
Corner Trim Gable Side	3/8"NGx1-3/4"x 82-1/2" TRIM	K 82080112000	4	---	
<b>19/32 X 3 SMART TRIM</b>	Horizontal Door Rails	19/32 TST 2 1/2" X 26 5/8"	UT26100208000	4	AH
	Door Trim Hinge/Over Door	19/32 TST 2 1/2" X 72" TRIM	UT72000208000	1	ZJ
<b>PURCHASED COMPONENTS</b>	Door Stiffener	LSL 1-1/4 X 2-1/4 X 69 PET	12715	2	OO
	Vents- Exterior White	VENT 8X10, APL# CV12X18W-PE, A	15021	2	---
	Threshold	THRESHOLD 7/8" X 1-1/2" X 63-7/8	15420	1	---
	Black "T" & "D" Handle w/ Faux Hinges	HANDLE - T & "D" HANDLES, FAUX	15220	1	---
	Transoms For Doors	WINDOW 9 X 27 TRANSOM (SINGLE	15235	2	---
	Hardware Kit	H/K (33026) GABLE 10X12	15783	1	---
	Spring Bolt	SPRING BOLT, 1.63 TRAVEL, W/SCREWS	15129	2	---
<b>PACKAGING</b>	Instructions		16835-W	1	---

<b>Right Door Assembly</b>	<b>33095-R</b>				
	Door Panel	3/8" NGx31-3/8" x 71-1/2"	K 7108310600R	1	---
	Right Hinge Assembly	HINGE RIGHT (RED) 19/32x3 THIN TRIM	30121-TT	1	---
	Vertical Door Stiles	19/32 TST 2 1/2" X 71 5/8"	UT71100208000	2	GY
Horizontal Door Rails	19/32 TST 2 1/2" X 26 5/8"	UT26100208000	2	AH	
<b>Left Door Assembly</b>	<b>33095-L</b>				
	Door Panel	3/8" NGx31-3/8" x 71-1/2"	K 7108310600R	1	---
	Left Hinge Assembly	HINGE LEFT (GREEN) 19/32x3 THIN TRIM	30131-TT	1	---
	Vertical Door Stiles	19/32 TST 2 1/2" X 71 5/8"	UT71100208000	2	GY
Horizontal Door Rails	19/32 TST 2 1/2" X 26 5/8"	UT26100208000	2	AH	

## 16835-W 4' Extender Order Form

CATEGORY	PART DESCRIPTION	PART SIZE	PART ITEM #	BUILDING QTY.	PART ID
<b>2 x 4</b>	Rafters	2 X 4 X 75-1/4" 26.5" O/E	O 7504260500N	4	ECN
	Wall Studs	2 X 4 X 78 1/2"	O 78080000000	4	AI
	Sidewall Doubler "B"	2X4X48" DOUBLER/ PLATE/ CRATE	O 48000000000	6	SP
<b>1 x 3 PINE</b>	Collar Tie	LUM SPF 1X3 X 72" PART & PRE-	U 72000000000	2	HJ
<b>7/16 OSB</b>	Roof Panel "B"	* 7/16" X 27-1/4" X 48" OSB PANEL	C 4800270400S	2	---
	Roof Panel "C"	7/16" OSB 47 7/8" X 48" ROOF	C 48004714000	2	---
<b>GUSSETS</b>	Gusset	EZ 8" 6" X 24" GUSSET 28"-	J 24000600280	4	---
<b>NO GROOVE SIDING</b>	Backwall & Sidewall Panel	SIDING NGSE 3/8X4'X7'	11507	2	---
	Eave Soffit	3/8" NG 5-7/8" X 48" SOFFIT	K 48000514004	2	---
	Eave Fascia	3/8" NG 4-3/4" X 48" FASCIA	K 48000412004	2	---
<b>PURCHASED COMPONENTS</b>	Hardware Kit	H/K (33707) 10x16 Bellingham	15734	1	---

## LIMITED CONDITIONAL WARRANTY\*

Backyard Storage Solutions, LLC warrants the following:

1. Every product is warranted from defects in workmanship and manufacturing for 1 year.
2. All accessories, hardware and metal components are warranted for 2 years.
3. All Oriented Strand Board (OSB) is warranted for 2 years
4. Siding and Trim is warranted for 10 years.
5. Solar Shed windows are warranted for 1 year.
6. Cedar lumber is warranted for 15 years.
7. Preserved Pine is warranted for 10 years.
8. Redwood is warranted for 10 years.

Backyard Storage Solutions, LLC will repair, replace or pay for the affected part. In no event shall Backyard Storage Solutions, LLC pay the cost of labor or installation or any other costs related thereto. All warranties are from date of purchase. If a cash refund is paid on an affected part, it will be prorated from the date of purchase.

## CONDITIONS

The warranty is effective only when:

1. The unit has been erected in accordance with the assembly instructions.
2. The unit has been properly shingled and painted or stained and reasonably and regularly maintained thereafter.
3. The failure occurs when the unit is owned by the original purchaser.
4. Backyard Storage Solutions, LLC has received the warranty registration card within thirty (30) days of purchase and notification of the failure in writing within the warranty period specified above.
5. Backyard Storage Solutions, LLC has had reasonable opportunity during the sixty (60) days following receipt of notification to inspect and verify the failure prior to commencement of any repair work.

## REQUIREMENTS

### Storage Buildings

To validate your warranty, it is necessary to properly maintain your Backyard Storage Solutions, LLC unit; shingle the roof and paint or solid-colored stain the siding using quality, 100% acrylic latex exterior product with a minimum of two (2) coats within thirty (30) days of assembly; caulk above all doors and all horizontal and vertical trim boards; paint and seal all exposed edges, sides and faces of siding/trim and OSB siding to include all exterior walls and all sides and all edges of doors.

### Gazebos & Pergolas

To validate your warranty, it is necessary to properly maintain your Backyard Storage Solutions, LLC unit. This includes treating all of the exposed cedar and pine surfaces on your gazebo or pergola structure with an exterior grade wood preservative, an exterior oil-based semi-transparent stain, an acrylic latex exterior paint or an acrylic latex solid color exterior stain within 30 days of assembly and as needed thereafter to maintain your warranty.

Keep vegetation trimmed away from building and make sure siding panels and trim do not come in contact with masonry or cement. The minimum ground clearance for siding must be one half inch (½ inch) from concrete slab or two and one half inches (2 ½") from the ground when building is erected or constructed on a treated wood floor kit. Water from sprinklers must be kept off unit. In no event will Backyard Storage Solutions, LLC be responsible for any indirect, incidental, consequential or special damages nor for failure(s) that are caused by events, acts or omissions beyond our control including, but not limited to, misuse or improper assembly, improper maintenance (which eventually leads to rot or decay) and acts of God. Backyard Storage Solutions, LLC will not be held responsible for any labor costs incurred to construct your unit.

This warranty gives you certain specific rights that vary from state to state.

## CLAIM PROCEDURE

To make a claim under this warranty, you can either call 1-888-827-9056 or email: [customerservice@backyardproducts.com](mailto:customerservice@backyardproducts.com).

Please have ready the information below when you call or include the information in your email:

1. The model and size of the product.
2. A list of the part(s) for which the claim is made.
3. Proof of purchase of the Backyard Storage Solutions, LLC item, as shown on the original invoice or receipt.
4. Run code: found on exterior product label or assembly instructions enclosed in the product package.

All other inquiries can be mailed to:

Backyard Storage Solutions, LLC  
Attn: Customer Service  
1000 Ternes  
Monroe, MI 48162

**\*WARRANTY TERMS MAY VARY OUTSIDE THE U.S.A.**

**IMPORTANT: This is your warranty certificate.**

10Y MV LDR: 3/20/2019