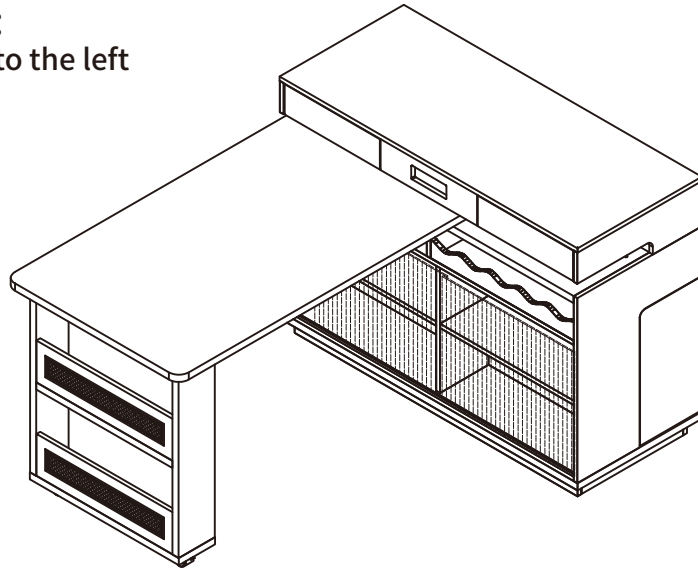


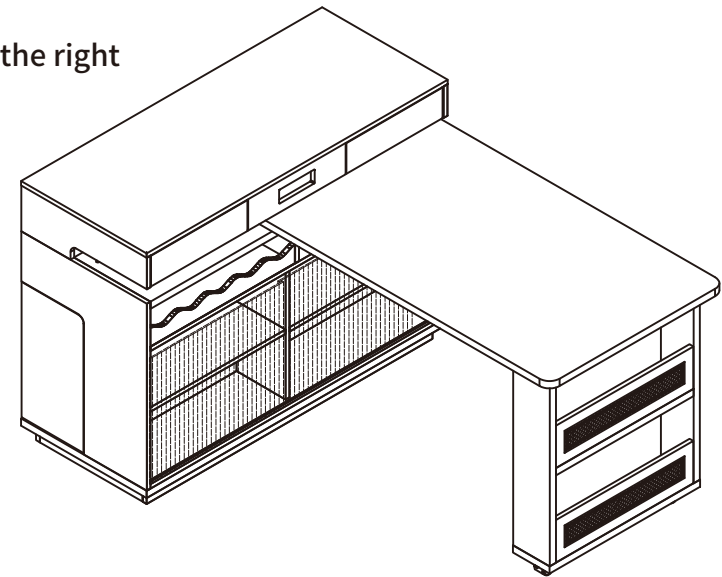
# PRODUCT INSTALLATION INSTRUCTIONS

This product can be mounted on the left or right side as required.

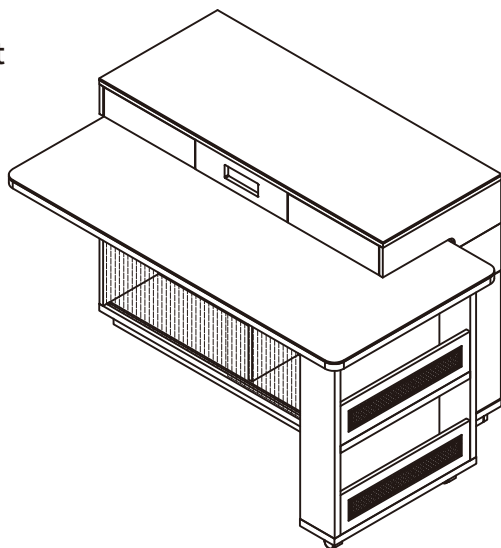
**Expand:**  
Mounting to the left



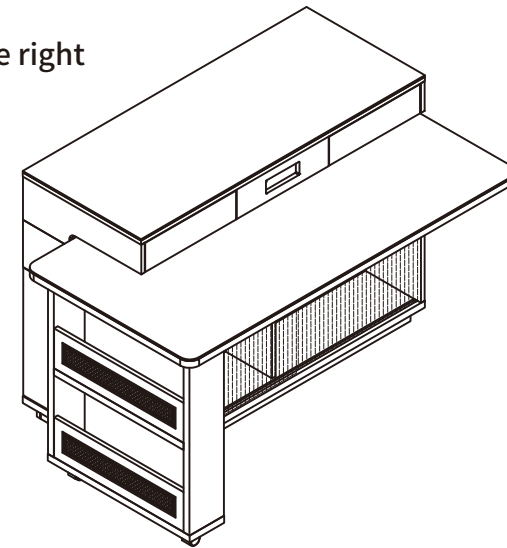
**Expand:**  
Mounting to the right



**Close:**  
Mounting to the left

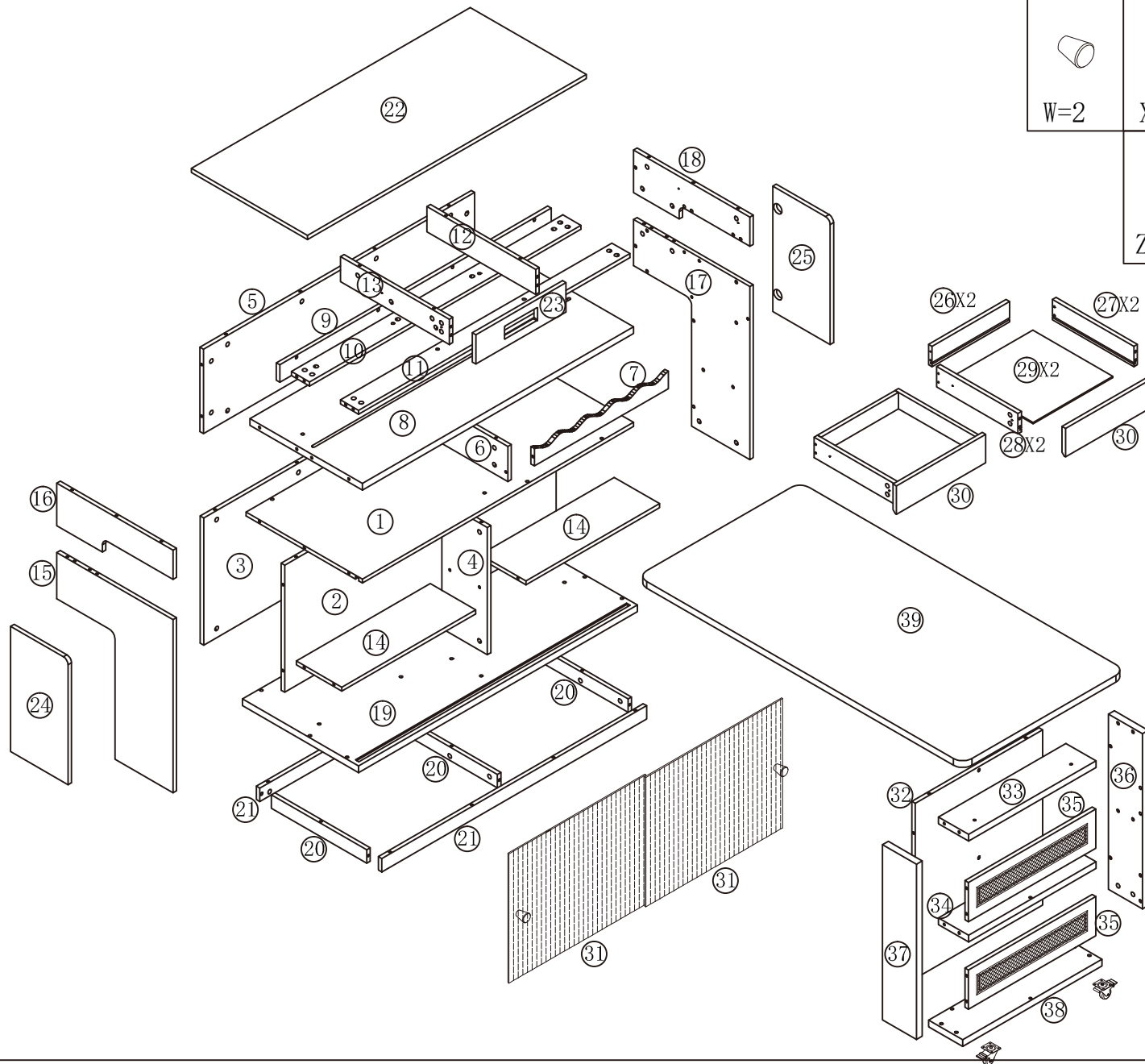








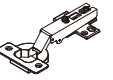


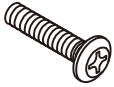





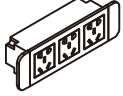




**Close:**  
Mounting to the right



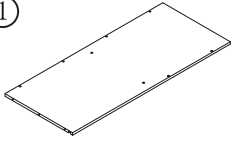
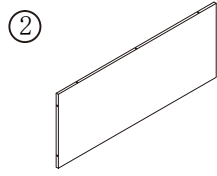
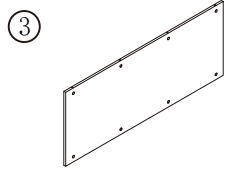
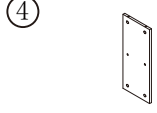
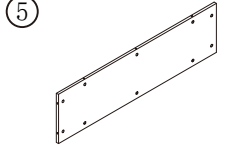


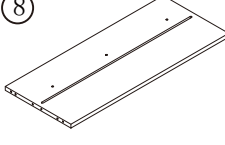
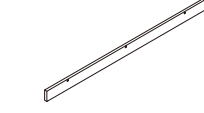
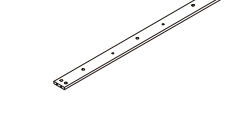
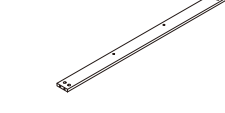


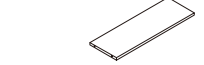
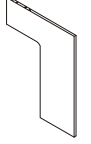
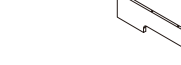
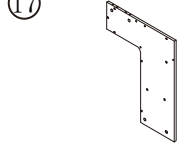

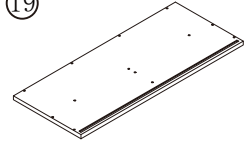

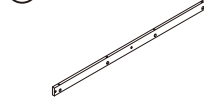
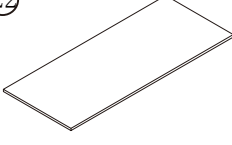


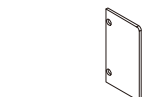

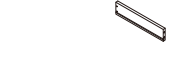



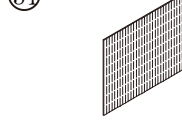
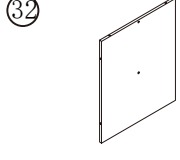

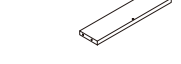


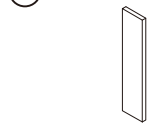
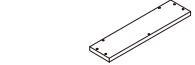
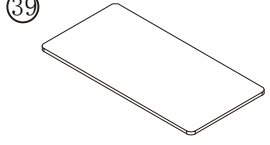
# Accessory list

# Parts list



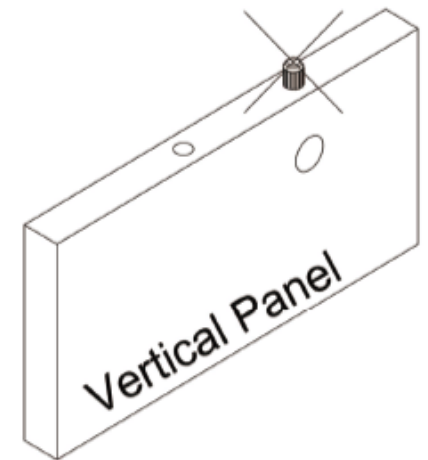
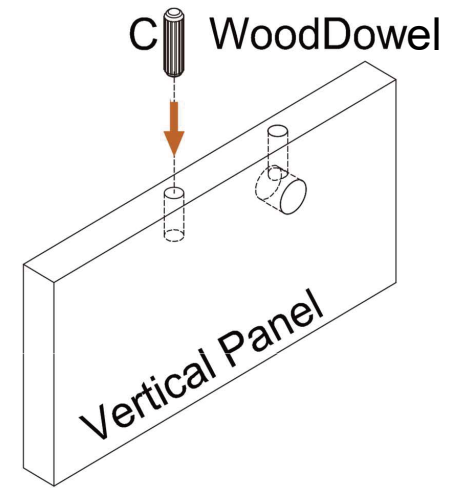
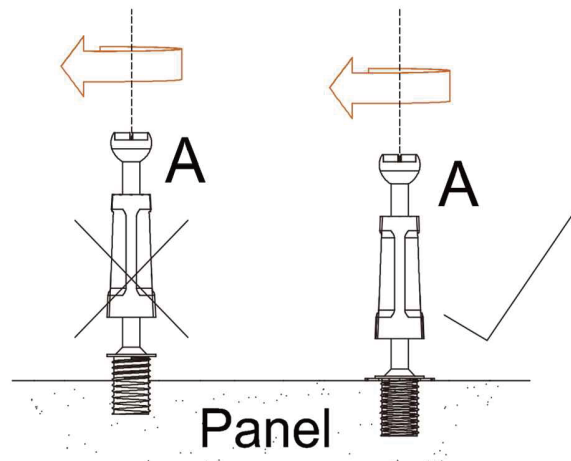
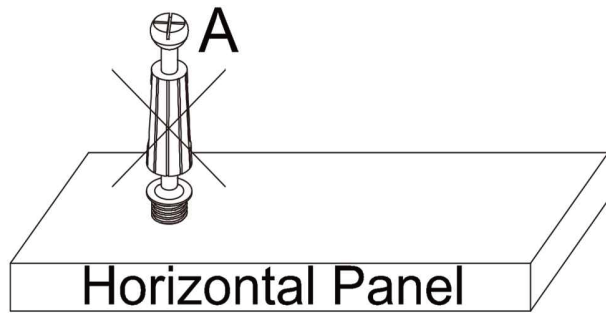
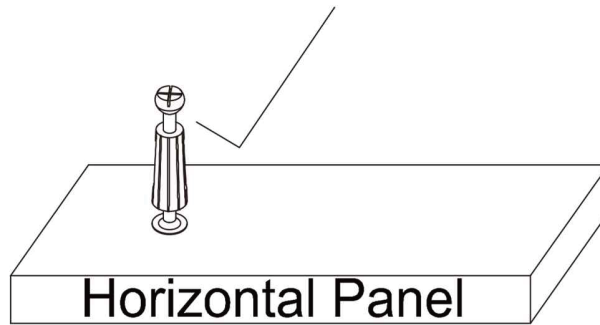
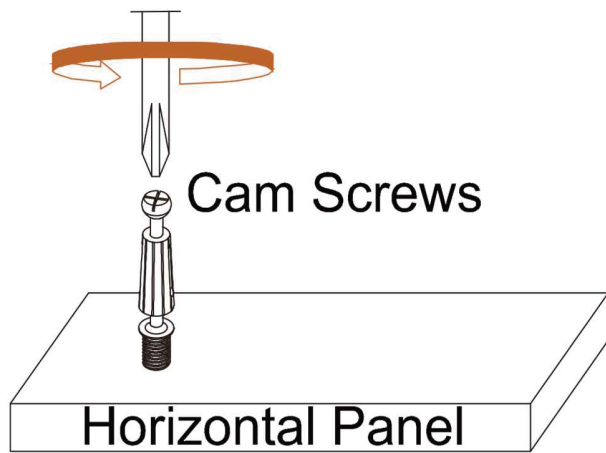
 W=2	 X=2	 A=143	 B=151
	 Z=2	 C=16 (φ8*40)	 D=4
		 E=2 (φ7*45)	 F=2 (φ6*35)
		 G=1 (φ8*45)	 H=4 (φ6*64)
		 I=2	 J=9
		 K=8 (M3.5*35)	 L=64 (M3.5*14)
		 M=1	 N1=4 N2=4 N=4
	 U1	 U2	 V=2 (M3.5*14)

# Plank details (Unit: inch)

 <p>① 38.1L*19.7W*0.6T=1PCS</p>	 <p>② 18.7L*38.1W*0.6T=1PCS</p>	 <p>③ 18.7L*38.1W*0.6T=1PCS</p>	 <p>④ 18.7L*7.7W*0.6T=1PCS</p>	 <p>⑤ 12.4L*38.1W*0.6T=1PCS</p>	 <p>⑥ 19.1L*5.2W*0.6T=1PCS</p>	 <p>⑦ 18.8L*2.6W*0.6T=1PCS</p>
 <p>⑧ 38.1L*19.1W*0.6T=1PCS</p>	 <p>⑨ 38.1L*1.4W*0.6T=1PCS</p>	 <p>⑩ 38.1L*3.1W*0.6T=1PCS</p>	 <p>⑪ 38.1L*3.1W*0.6T=1PCS</p>	 <p>⑫ 18.4L*3.7W*0.6T=1PCS</p>	 <p>⑬ 18.4L*3.7W*0.6T=1PCS</p>	 <p>⑭ 18.7L*7.7W*0.6T=2PCS</p>
 <p>⑮ 25.4L*19.7W*0.6T=1PCS</p>	 <p>⑯ 6.3L*19.7W*0.6T=1PCS</p>	 <p>⑰ 25.4L*19.7W*0.6T=1PCS</p>	 <p>⑱ 6.3L*19.7W*0.6T=1PCS</p>	 <p>⑲ 39.4L*19.7W*1T=1PCS</p>	 <p>⑳ 16.1L*1.9W*0.6T=3PCS</p>	 <p>㉑ 37L*1.9W*0.6T=2PCS</p>
 <p>㉒ 39.4L*19.7W*0.6T=1PCS</p>	 <p>㉓ 11.7L*4.3W*0.6T=1PCS</p>	 <p>㉔ 18.4L*9.7W*0.6T=1PCS</p>	 <p>㉕ 18.4L*9.7W*0.6T=1PCS</p>	 <p>㉖ 11L*3.1W*0.6T=2PCS</p>	 <p>㉗ 13.8L*3.1W*0.6T=2PCS</p>	 <p>㉘ 13.8L*3.1W*0.6T=2PCS</p>
 <p>㉙ 13.6L*11.4W*0.2T=2PCS</p>	 <p>㉚ 13L*4.2W*0.6T=2PCS</p>	 <p>㉛ 19L*19.3W*0.2T=2PCS</p>	 <p>㉜ 25.4L*21.6W*0.6T=1PCS</p>	 <p>㉝ 21.6L*5.1W*1T=1PCS</p>	 <p>㉞ 21.6L*5.1W*1T=1PCS</p>	 <p>㉟ 21.6L*5.7W*0.6T=2PCS</p>
 <p>㊱ 25.4L*5.7W*1T=1PCS</p>	 <p>㊲ 25.4L*5.7W*1T=1PCS</p>	 <p>㊳ 25.4L*5.7W*1T=1PCS</p>	 <p>㊴ 55.1L*27.6W*1T=1PCS</p>			

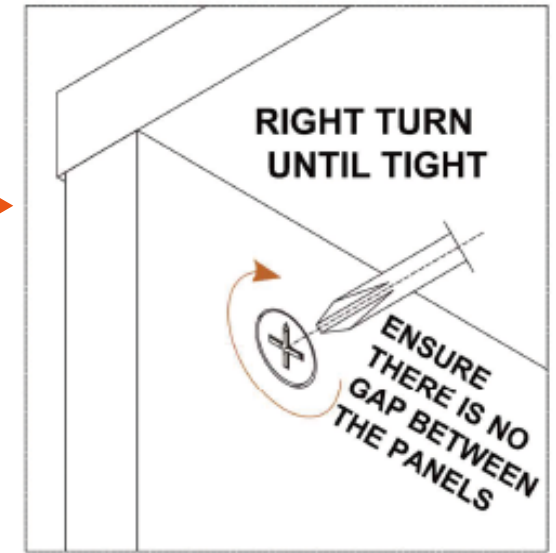
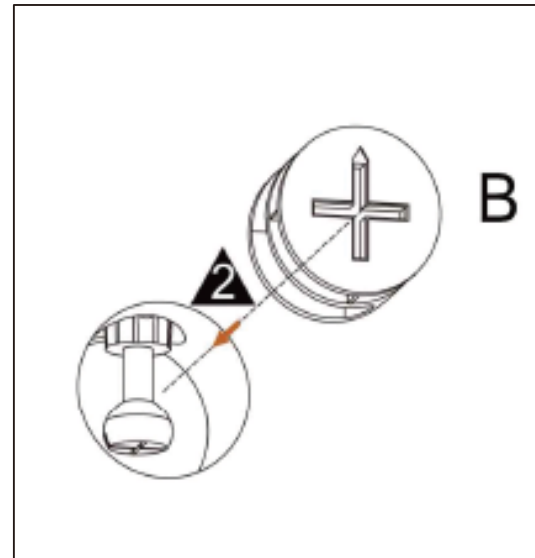
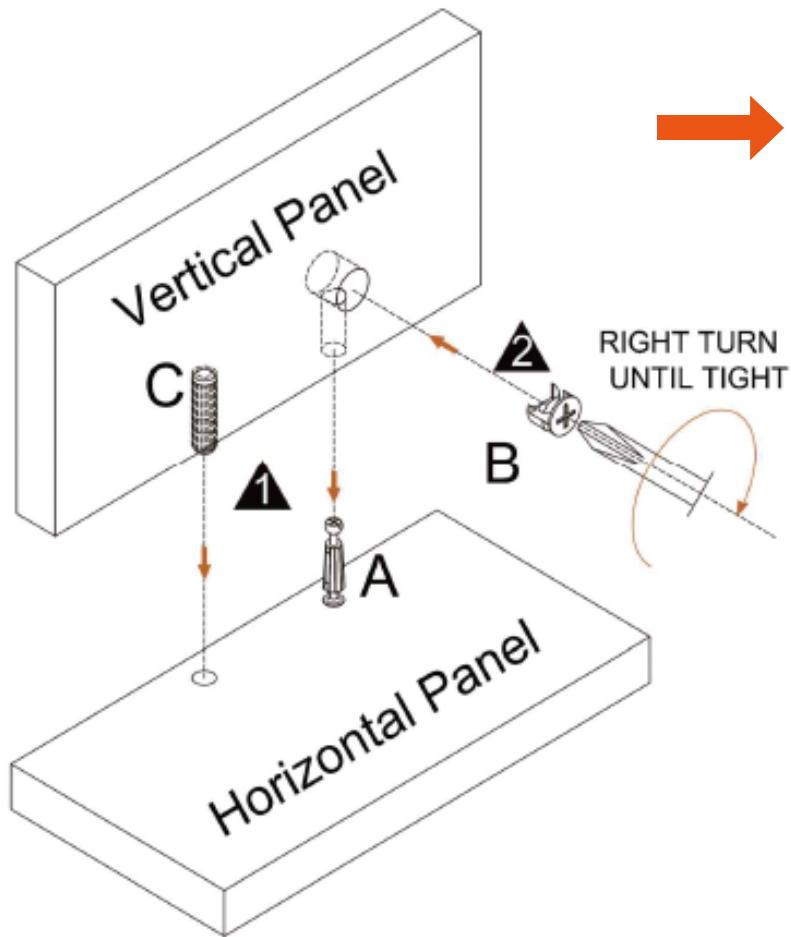
# IMPORTANT PRECAUTIONS

Use Cam Screws, Cam Lock Nuts,

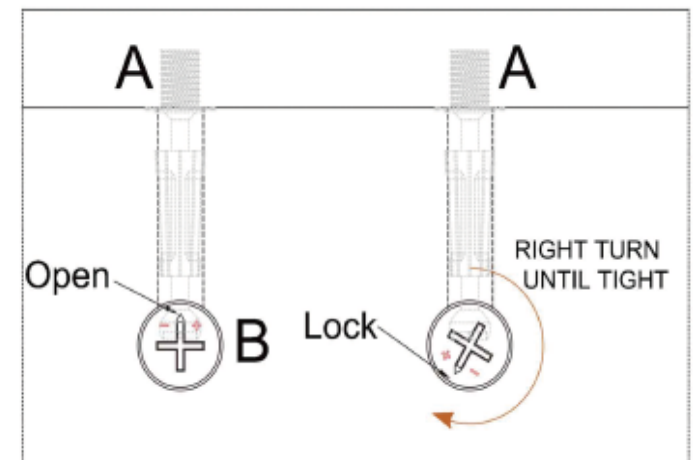


# IMPORTANT PRECAUTIONS

Use Cam Screws, Cam Lock Nuts, Dowel Kit(B)



ENSURE THERE IS NO GAP BETWEEN THE PANELS



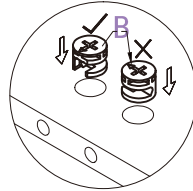
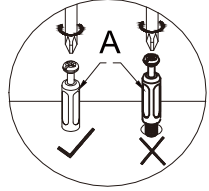


**A** 9 pcs



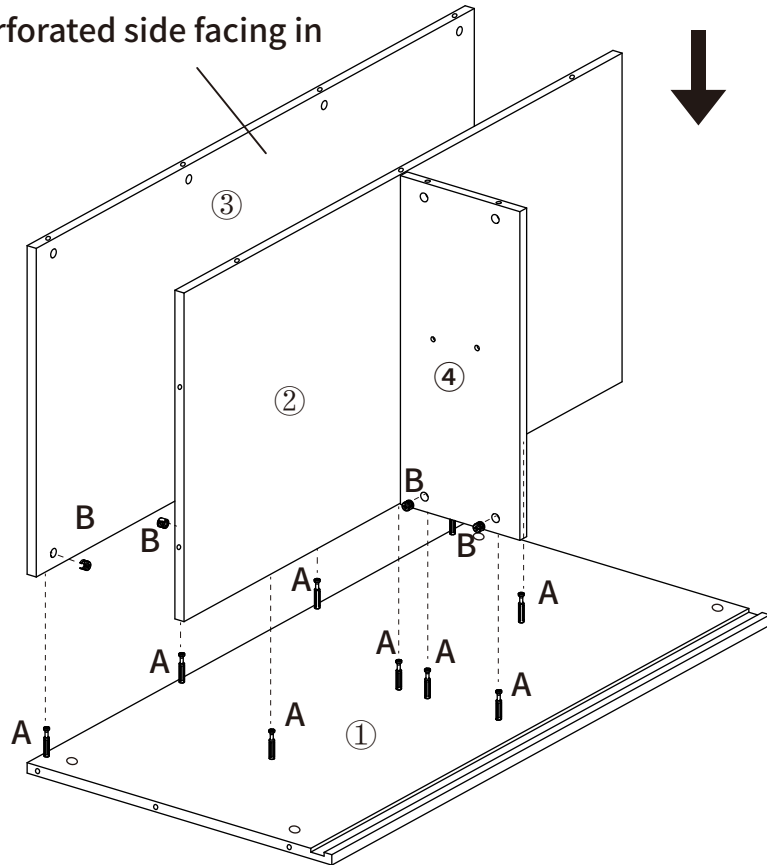
**B** 9 pcs

## Step 1



NOTE:

Perforated side facing in



**A** 7 pcs

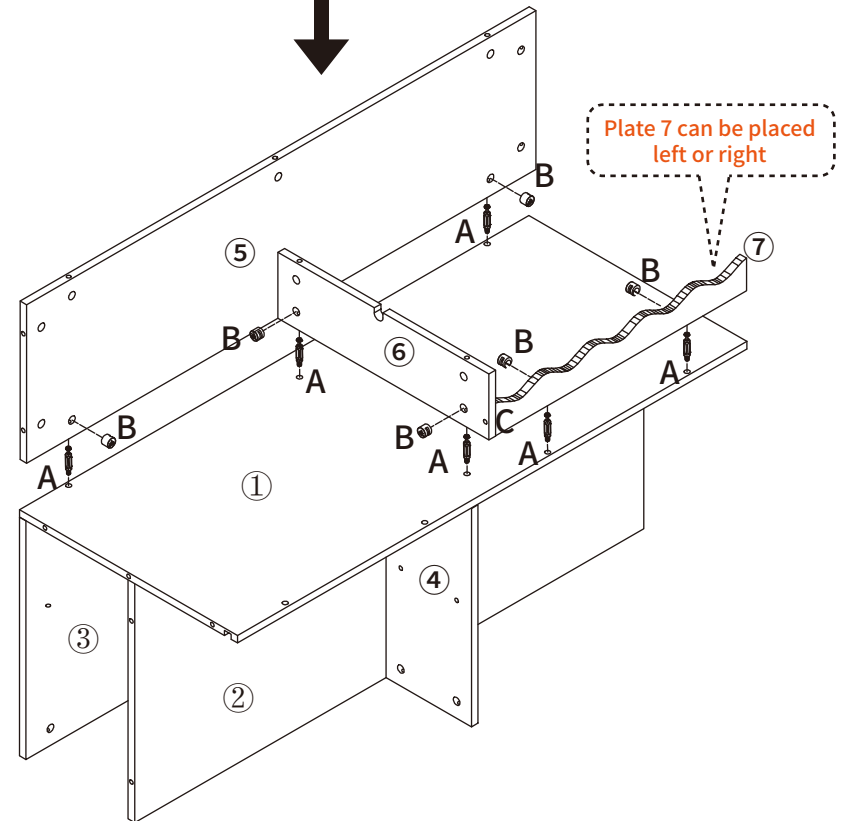
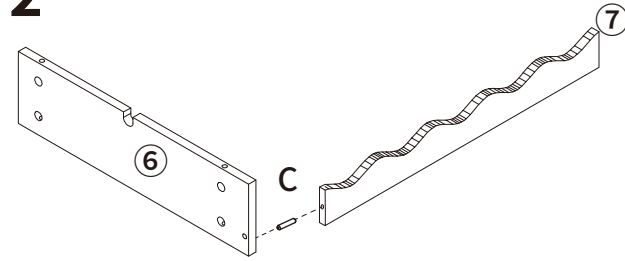


**B** 7 pcs



**C** 1 pcs

## Step 2



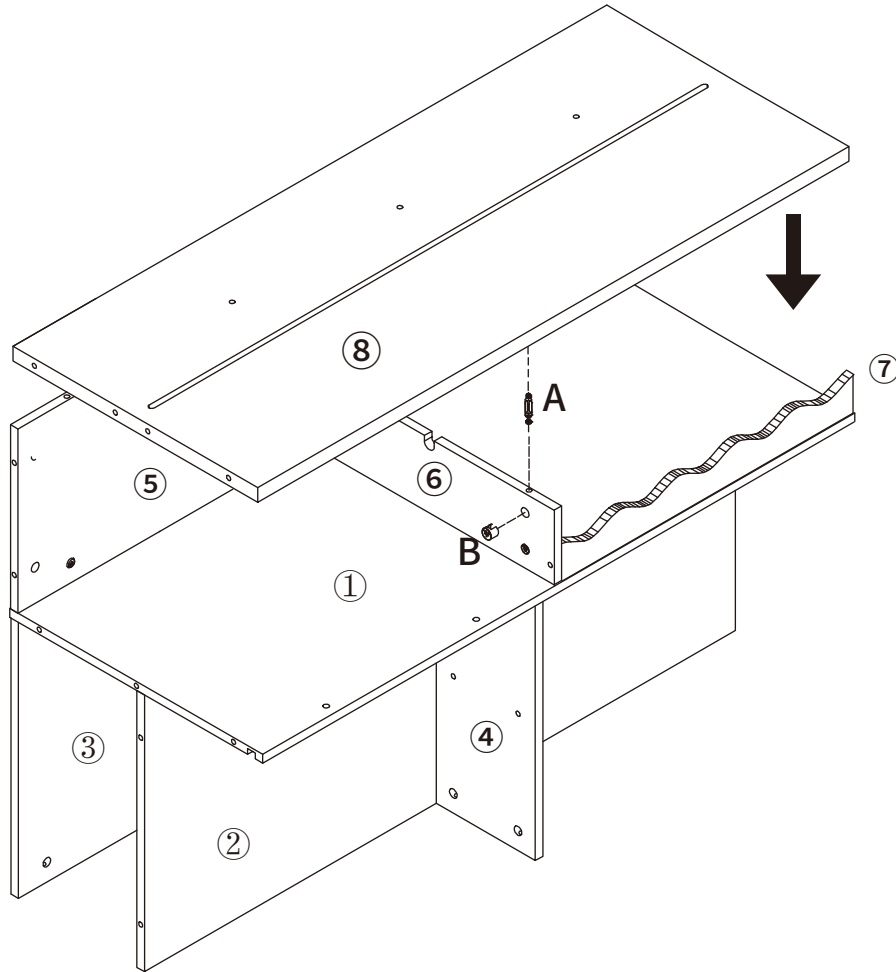


**A** 2 pcs



**B** 2 pcs

### Step 3

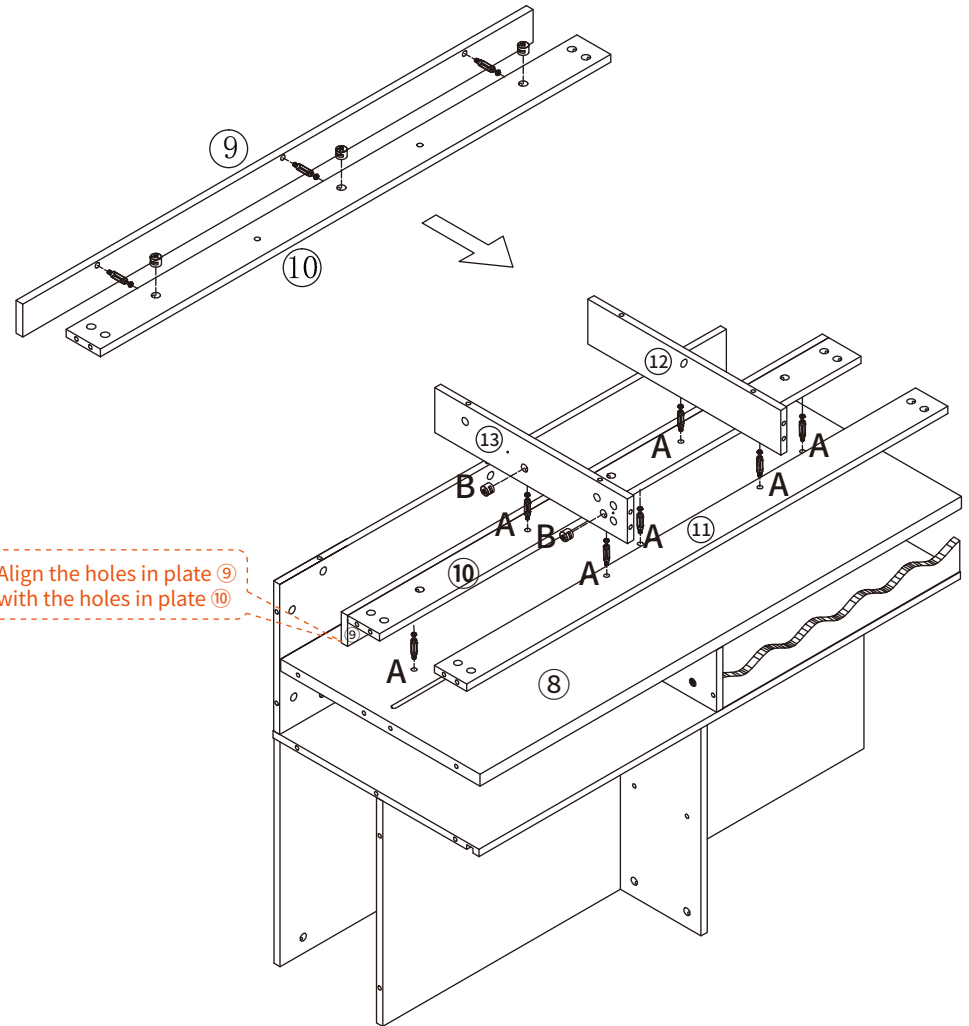


**A** 10 pcs



**B** 10 pcs

### Step 4





**A** 4 pcs



**B** 4 pcs



**B** 8 pcs

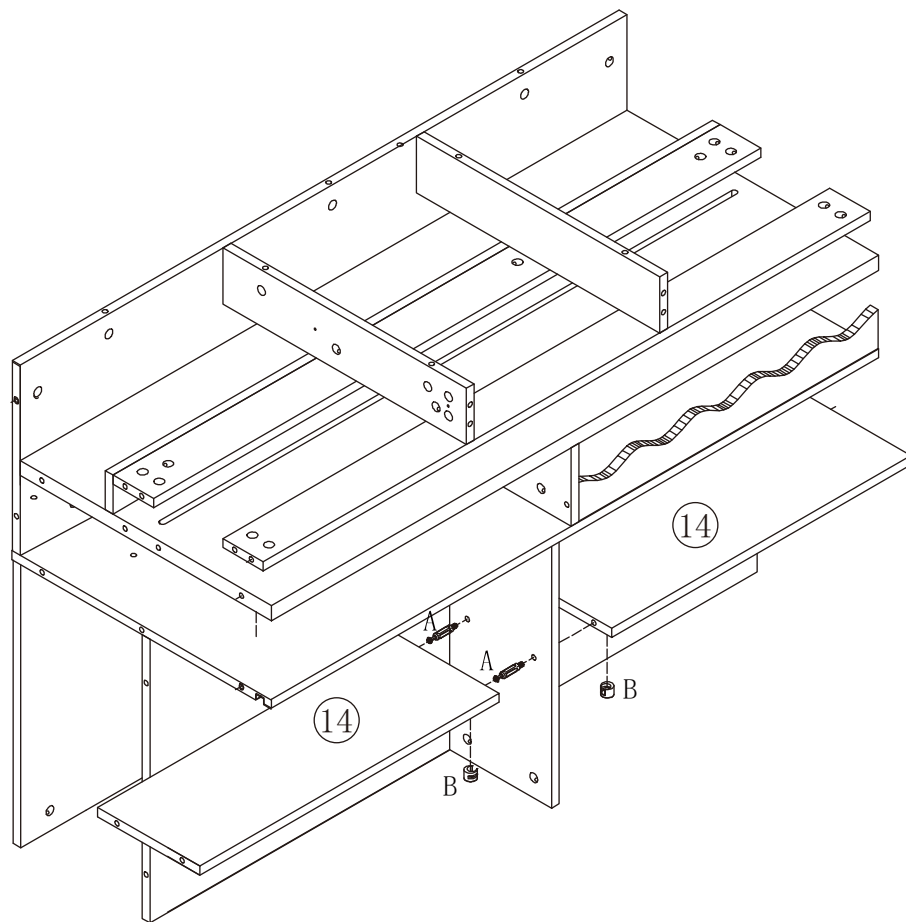


**H** 4 pcs

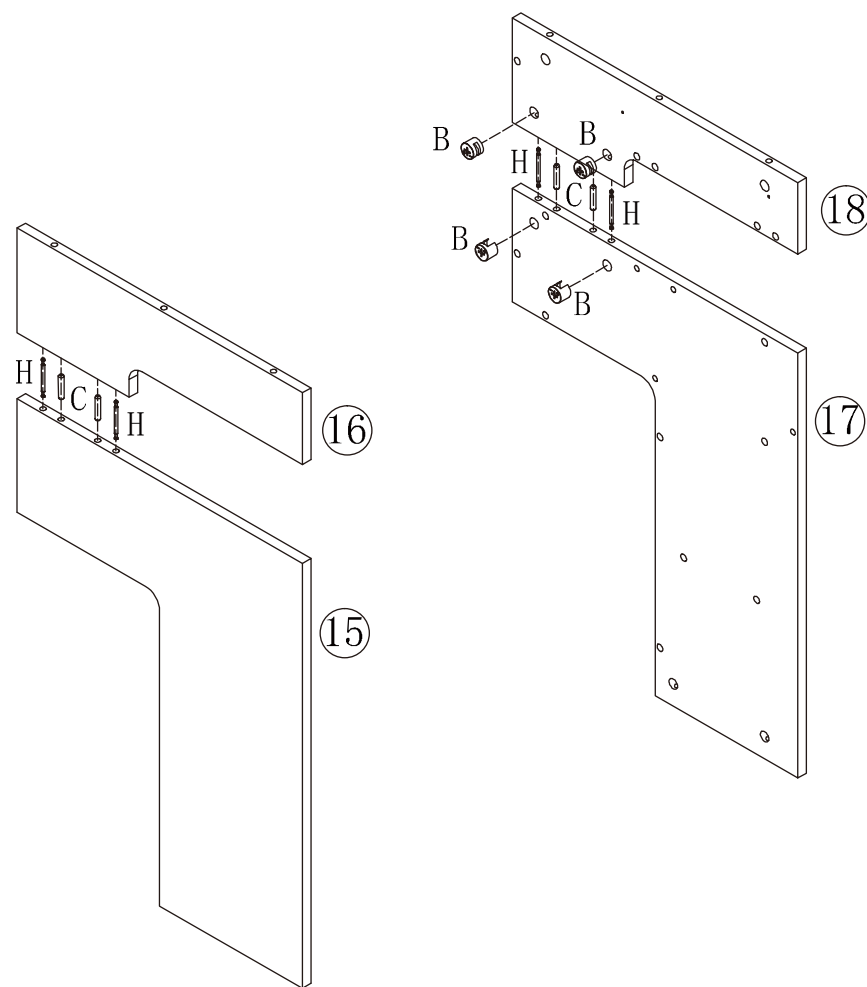


**C** 4 pcs

## Step 5



## Step 6





**A** 28 pcs



**B** 28 pcs



**C** 14 pcs



**A** 24 pcs

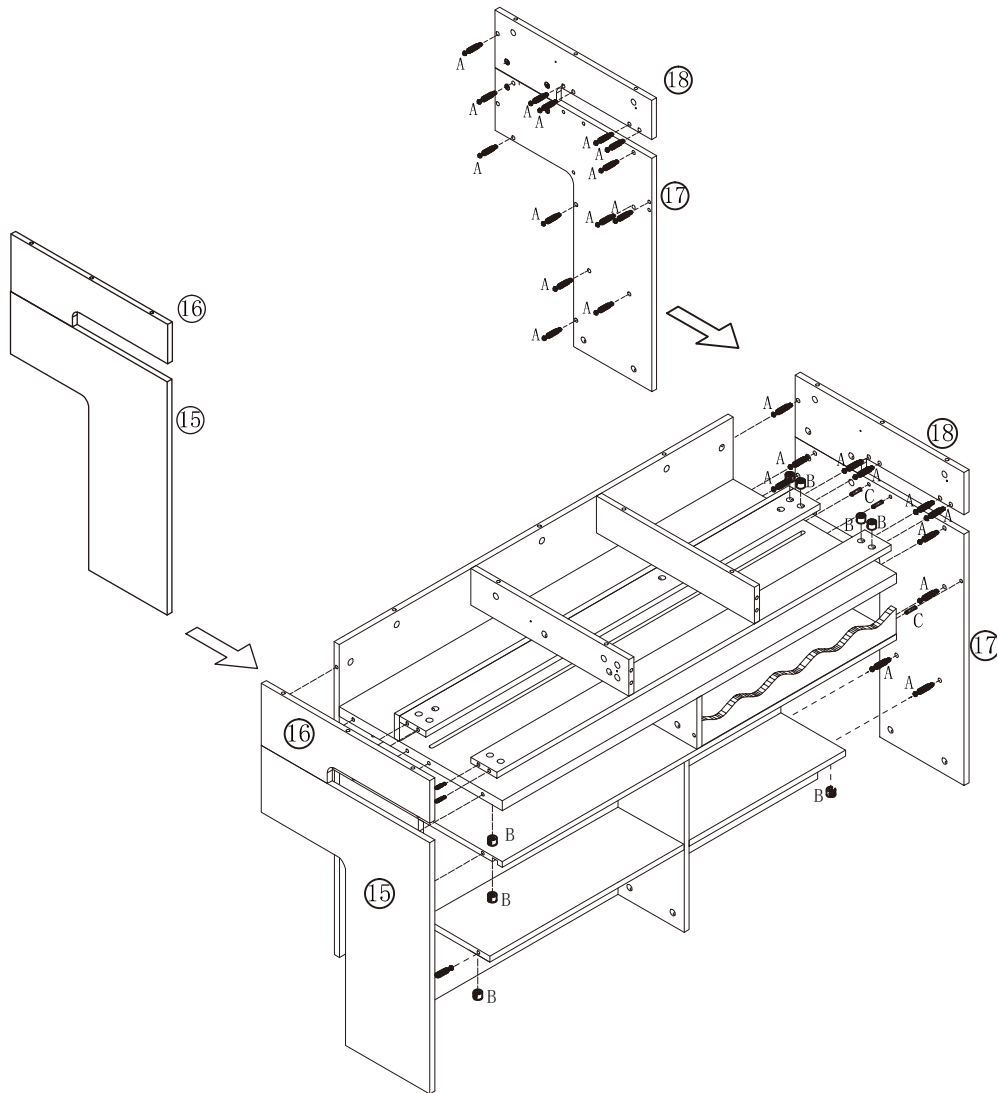


**B** 24 pcs

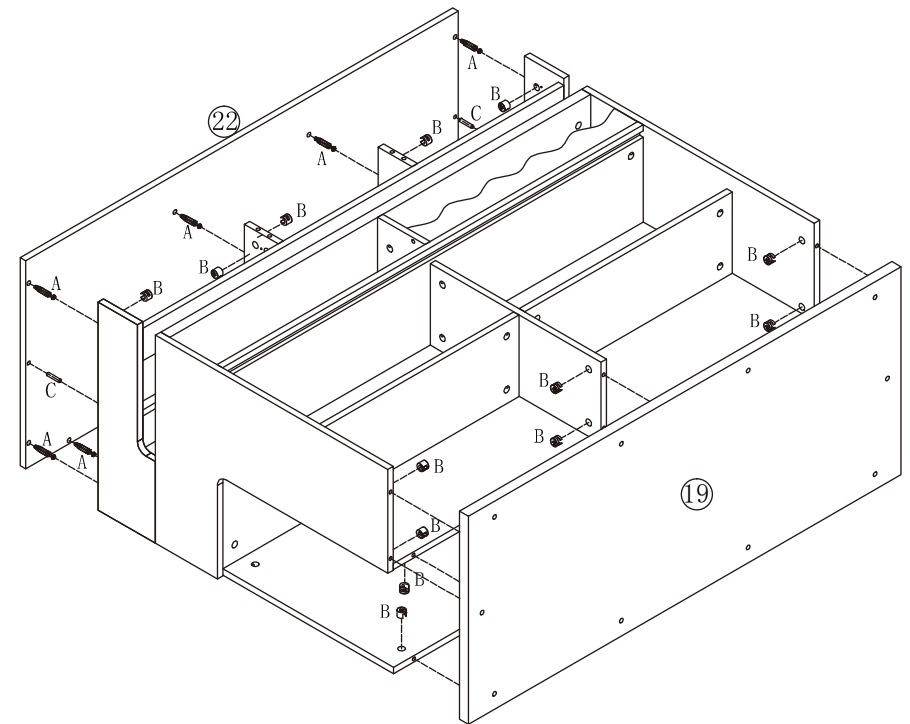
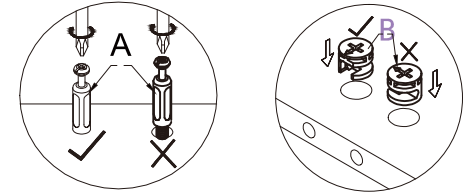


**C** 2 pcs

## Step 7



## Step 8





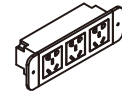
**A** 17 pcs



**B** 17 pcs



**J** 9 pcs

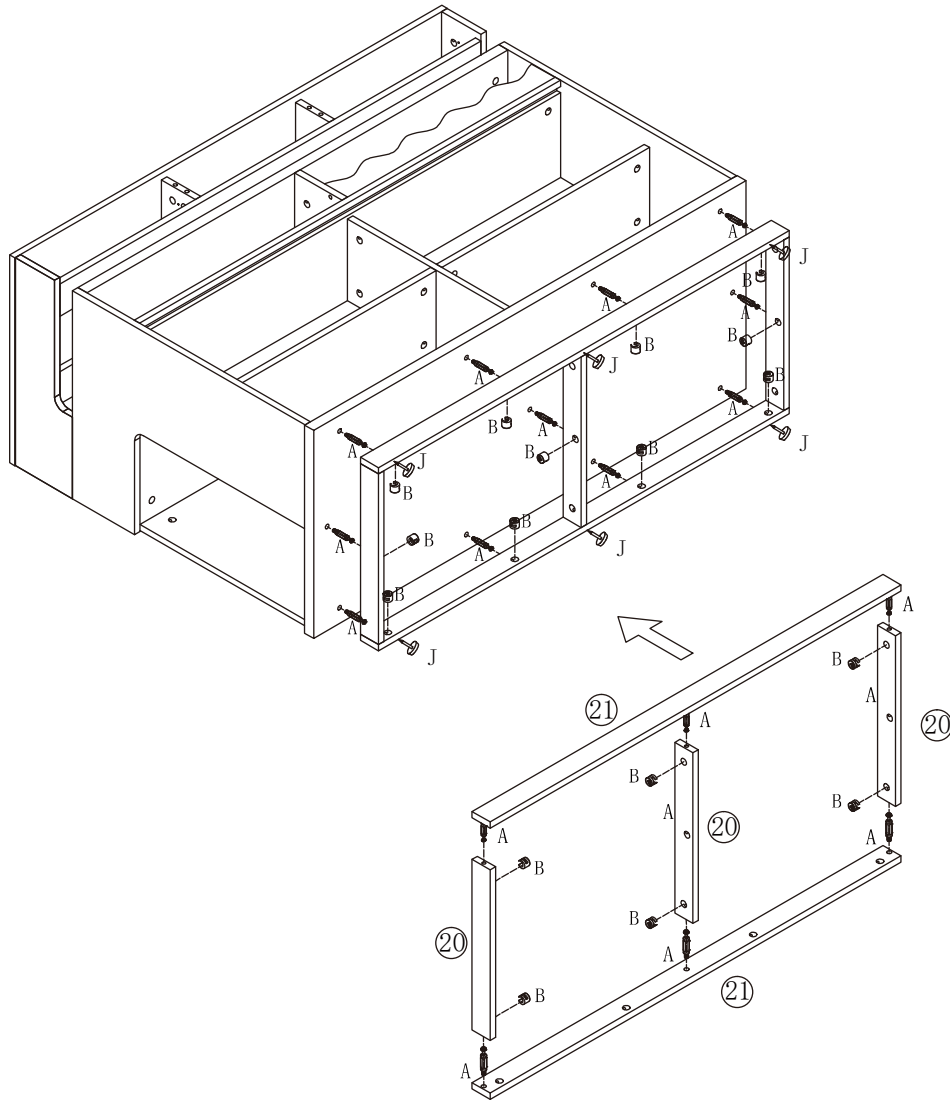


**M** 1 pcs

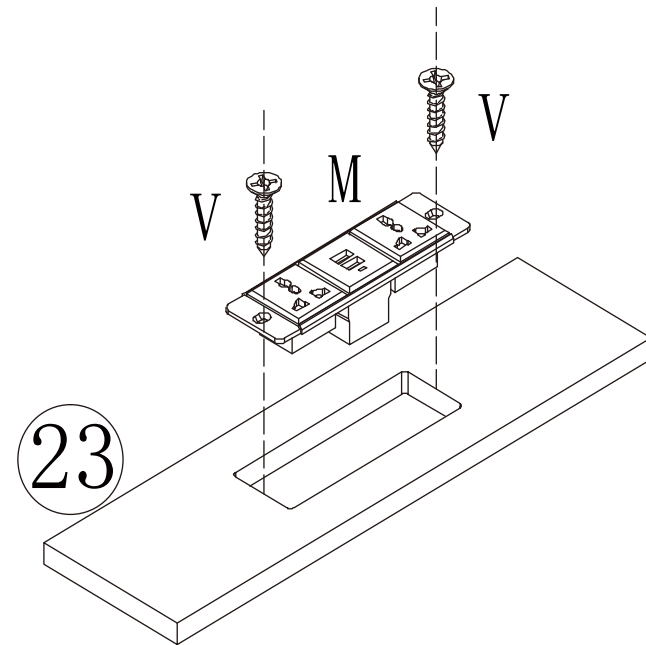


**V** 2 pcs

## Step 9

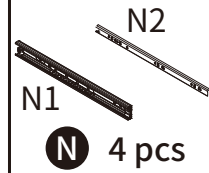
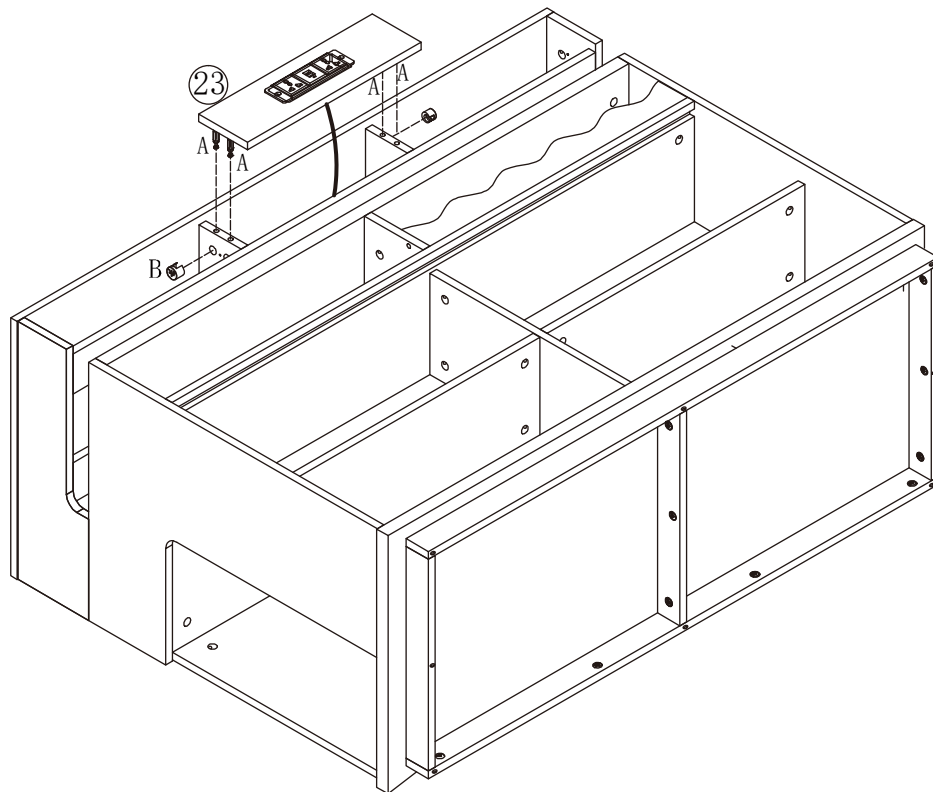


## Step 10

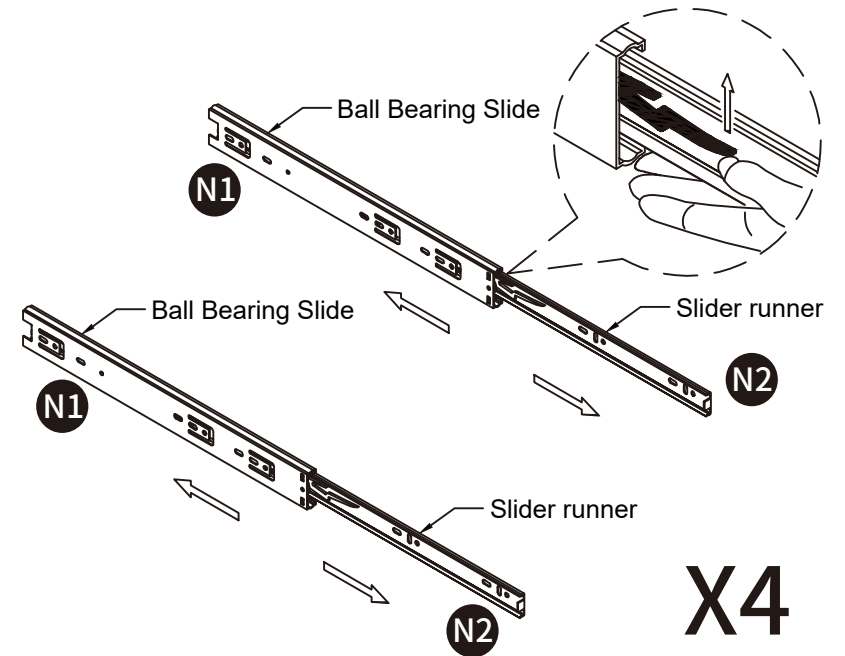




# Step 11



# Step 12



### Attention:

Disassemble the tracks before installing



**A** 4 pcs



**B** 4 pcs



**K** 8 pcs

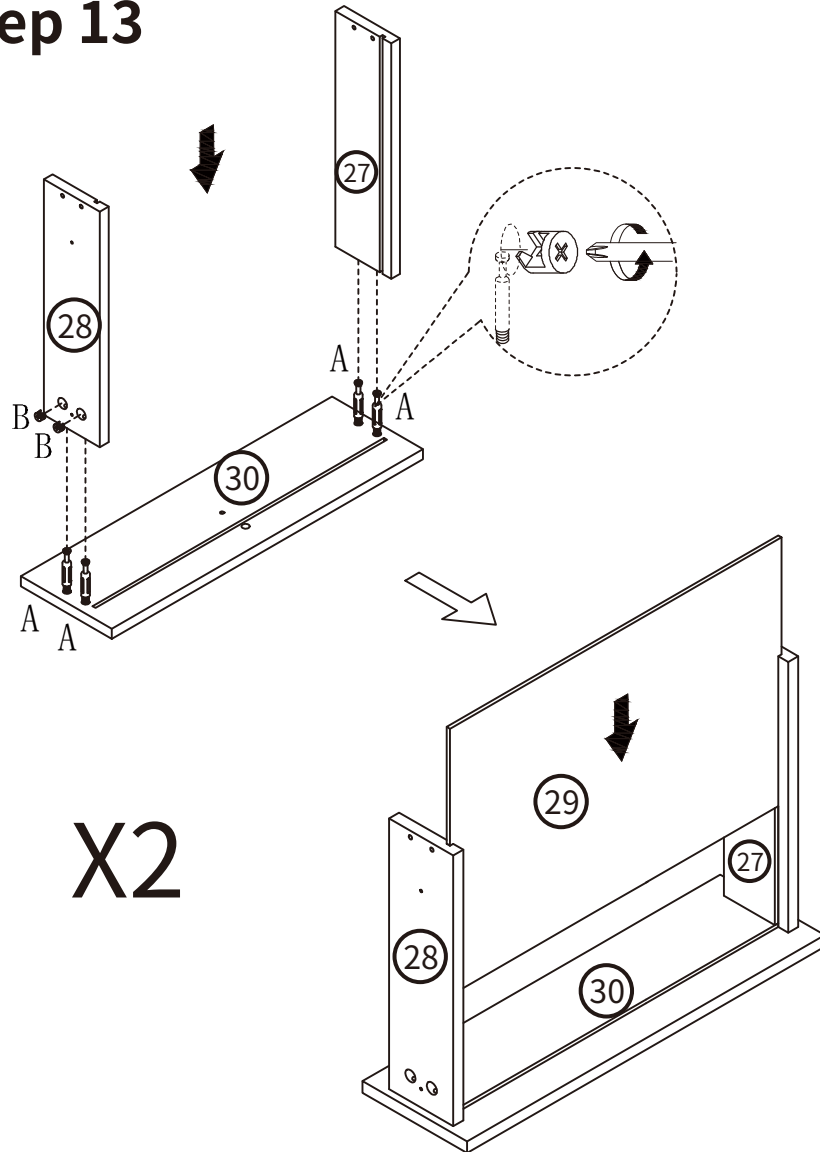


**L** 8 pcs



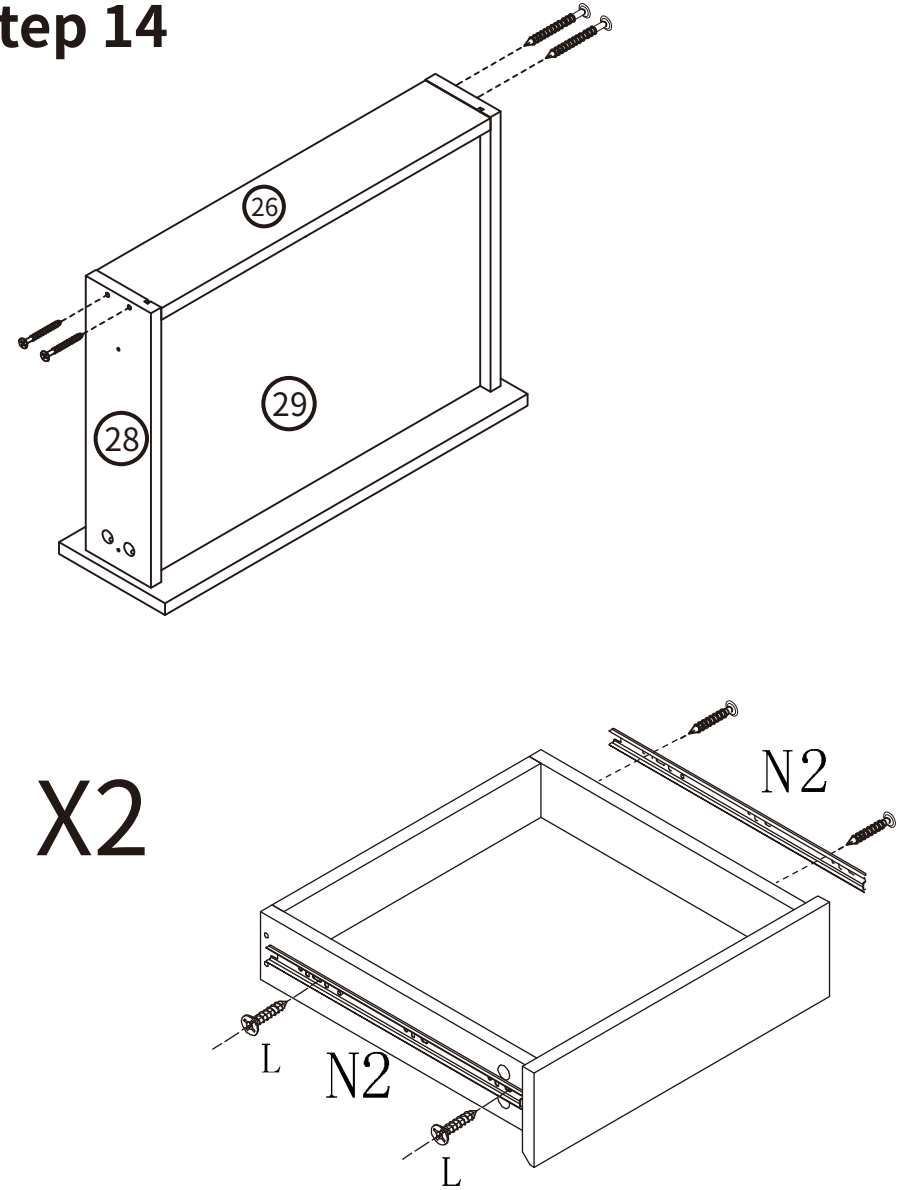
**N2** 4 pcs

### Step 13



**X2**

### Step 14



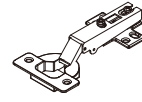
**X2**



**N1** 4 pcs



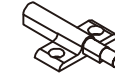
**L** 8 pcs



**D** 4 pcs

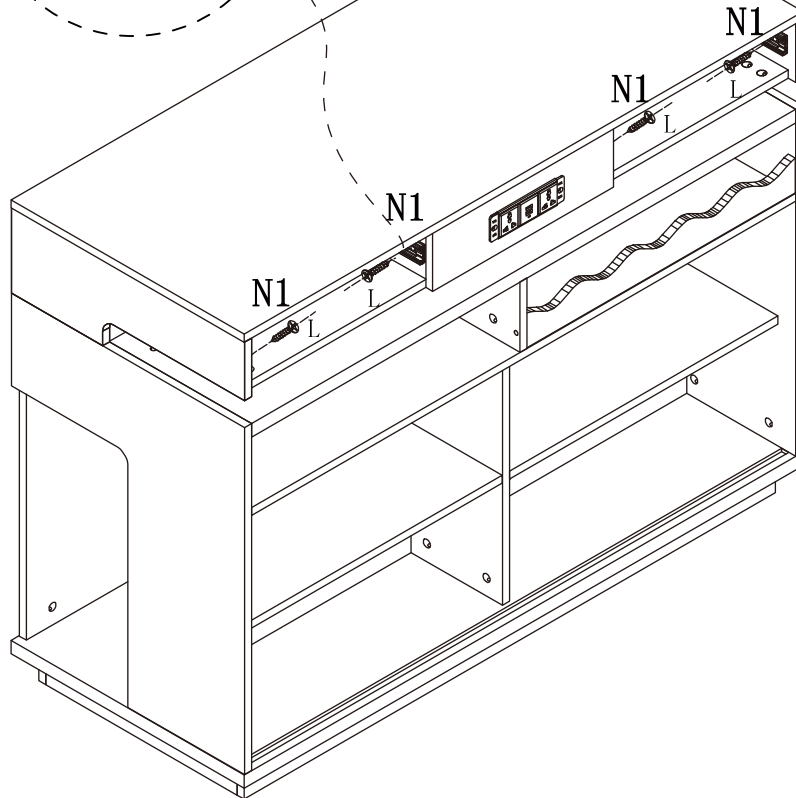
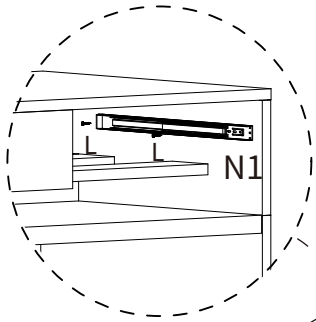


**L** 28 pcs

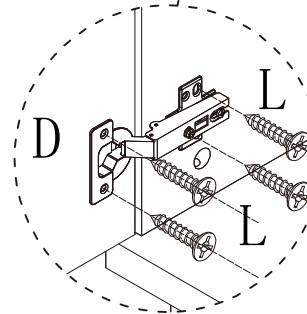
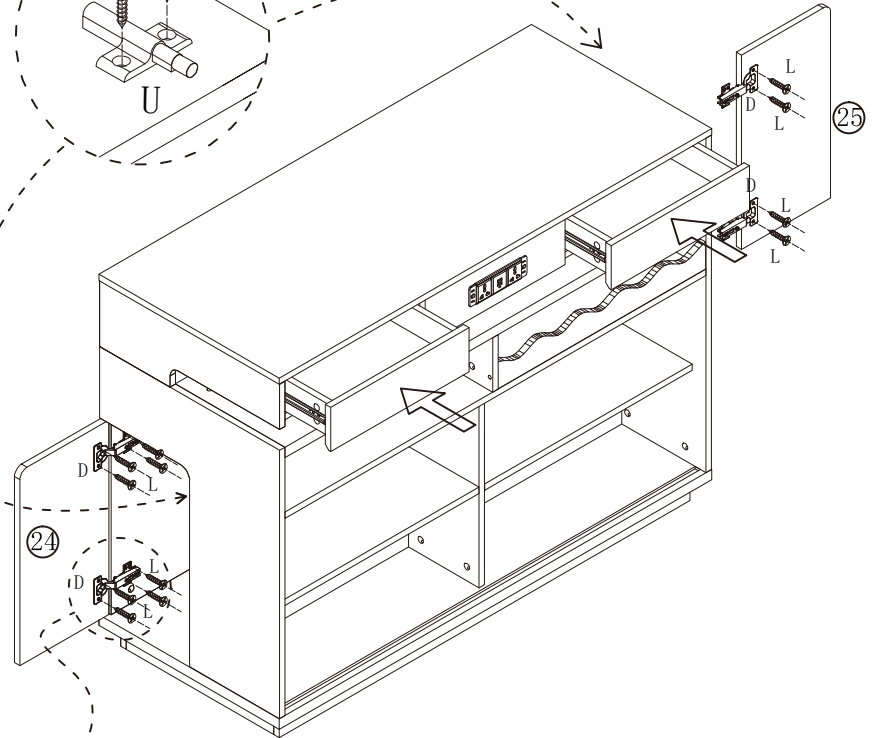
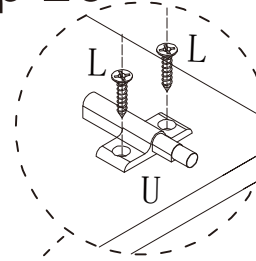


**U1** 2 pcs

## Step 15



## Step 16





U2 2 pcs



L 4 pcs



W 2 pcs



X 2 pcs



A 28 pcs



B 28 pcs



I 2 pcs



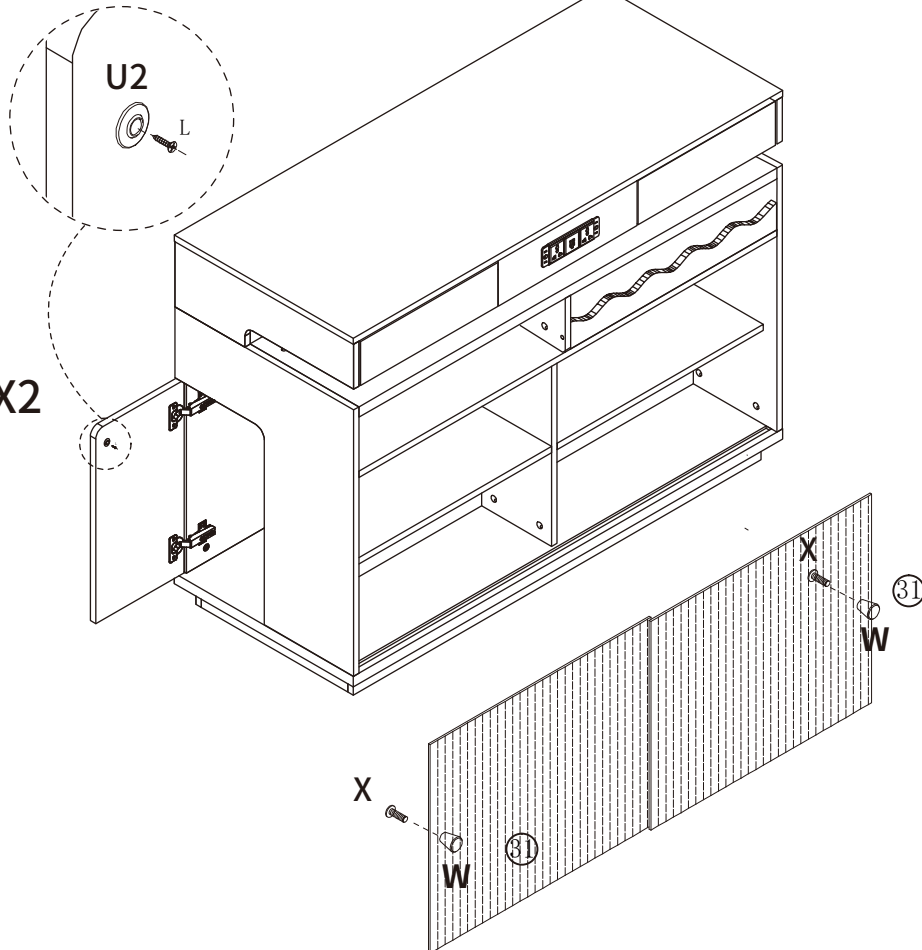
E 2 pcs



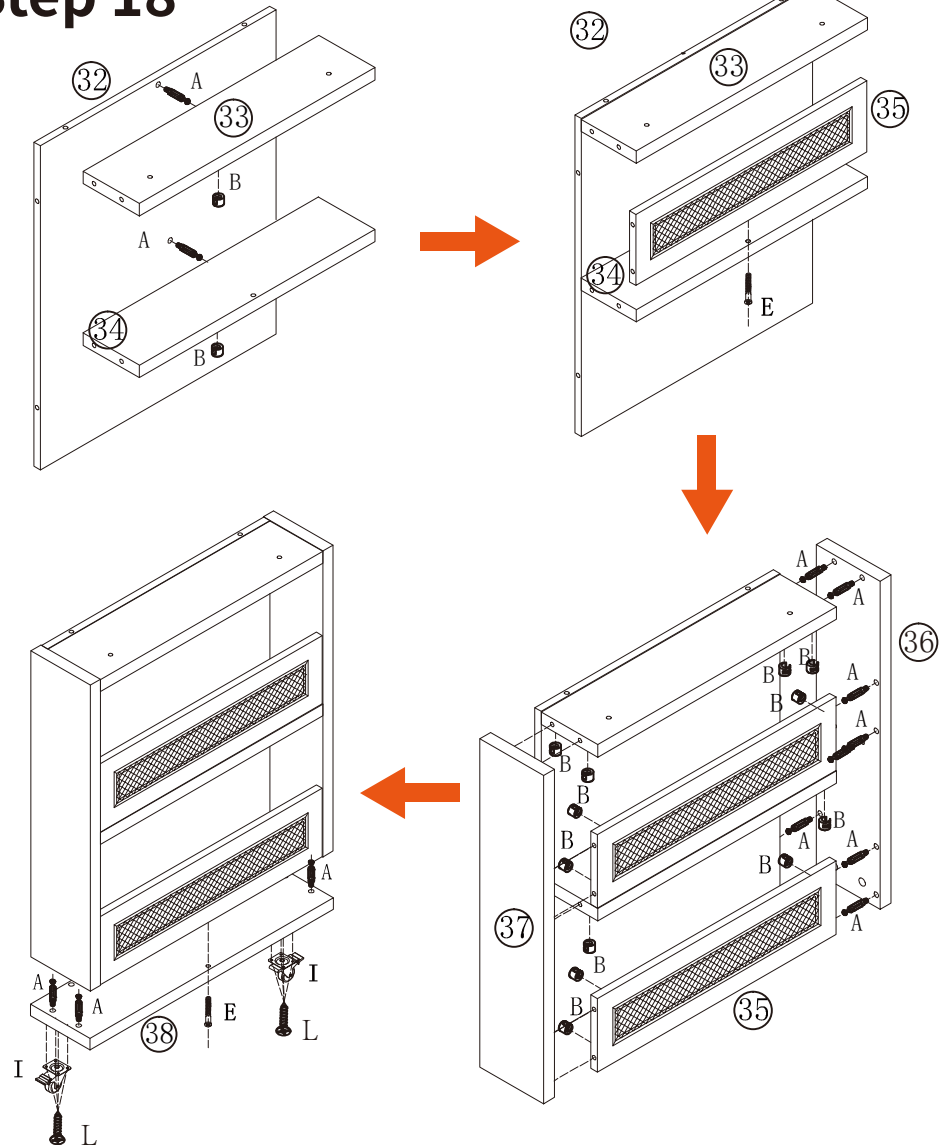
L 8 pcs

## Step 17

Needs to be mounted in alignment with part U1



## Step 18





**A** 2 pcs



**B** 2 pcs



**B** 2 pcs



**Z** 2 pcs

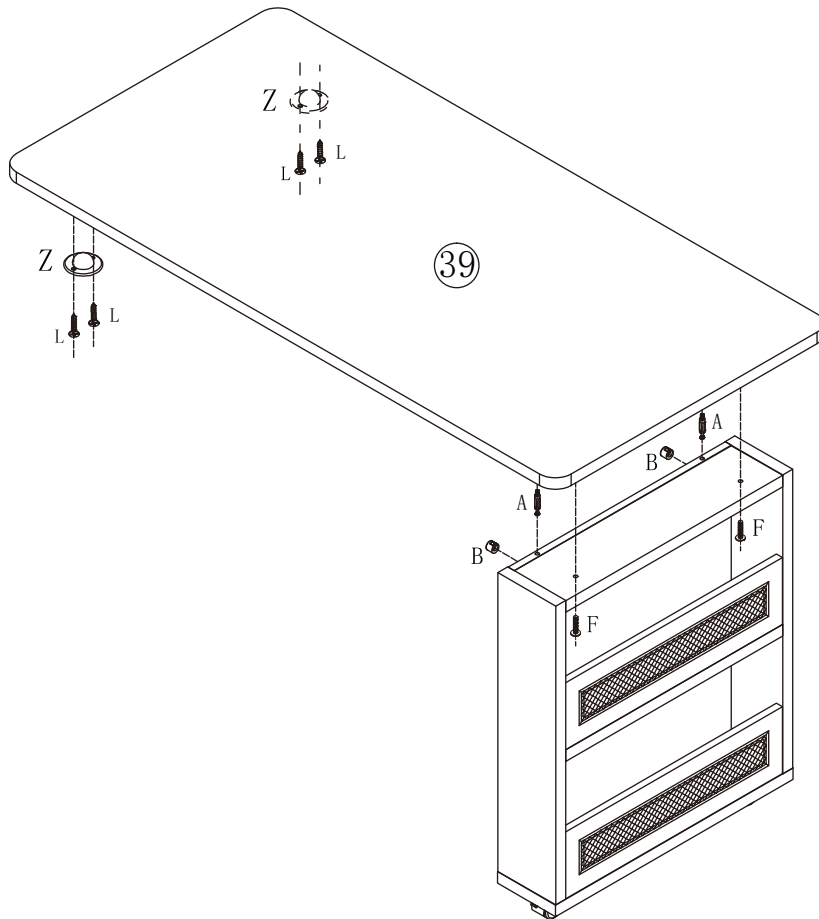


**L** 4 pcs



**G** 1 pcs

## Step 19



## Step 20



### Important Notes

Install the locating screws to prevent them from falling out

Interchangeable left and right mounting

