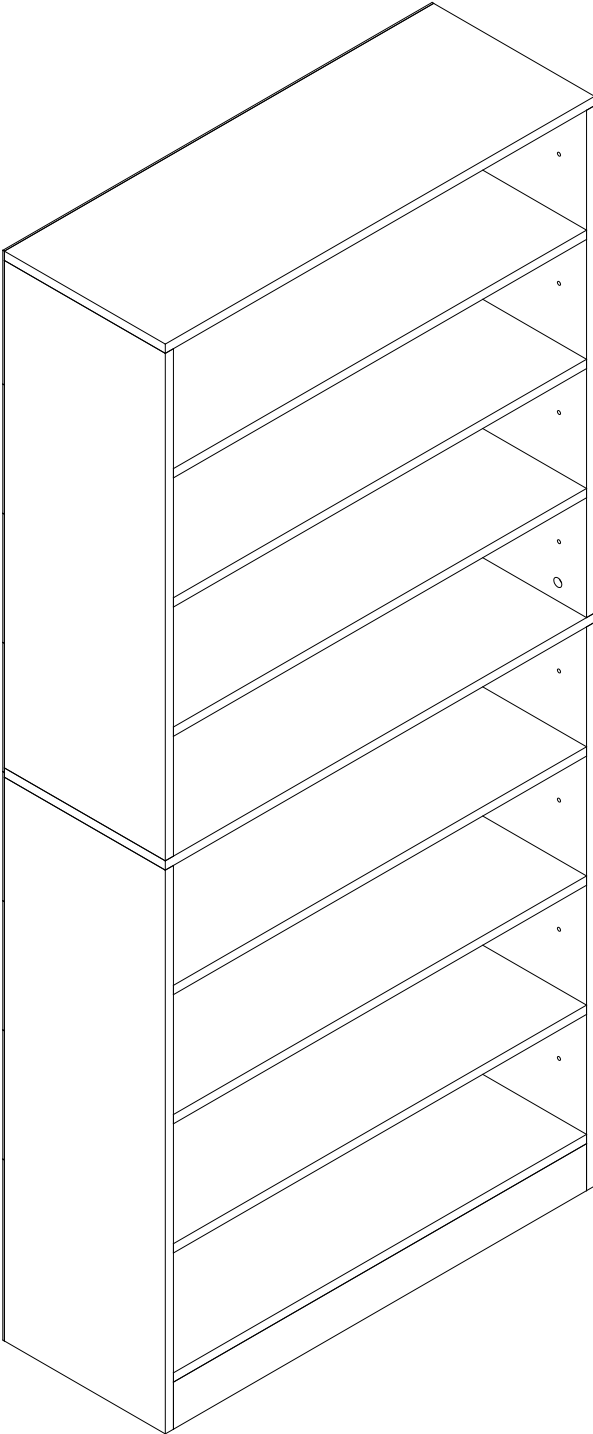


ASSEMBLY INSTRUCTION





Ax19



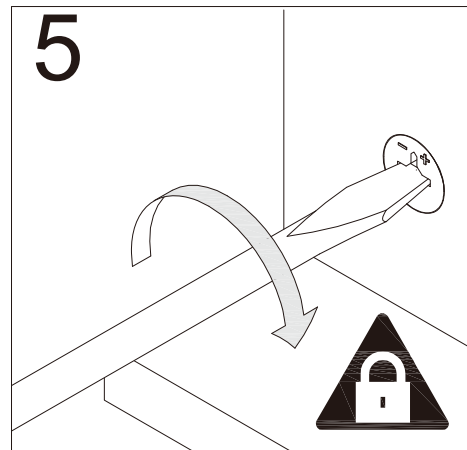
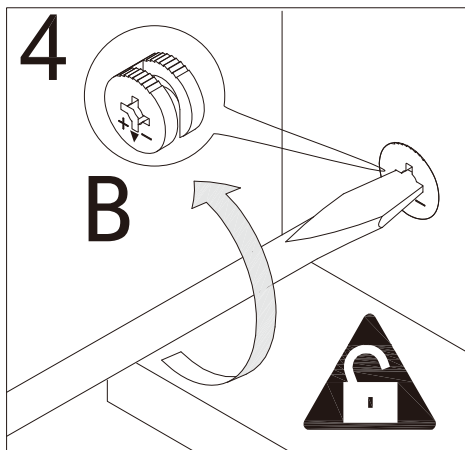
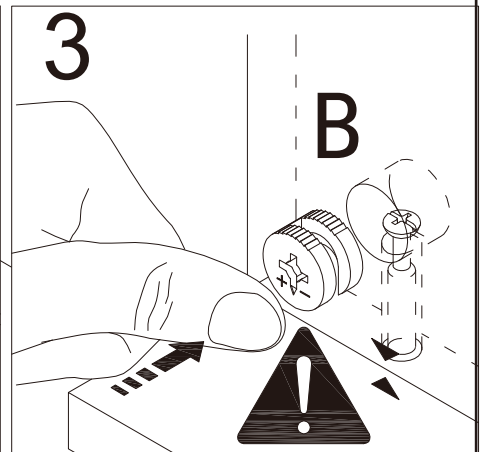
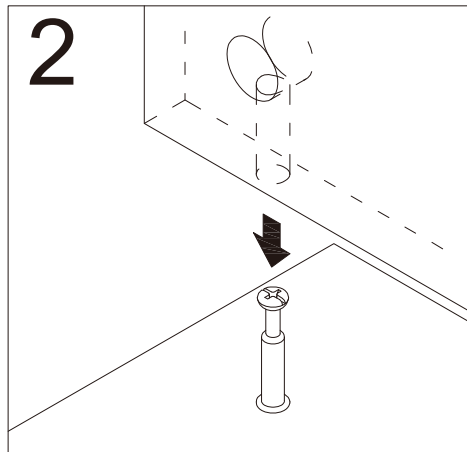
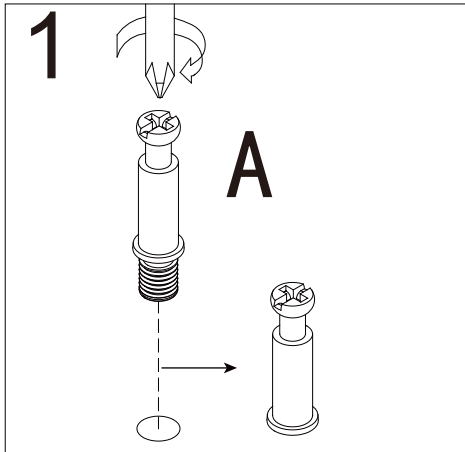
Bx19

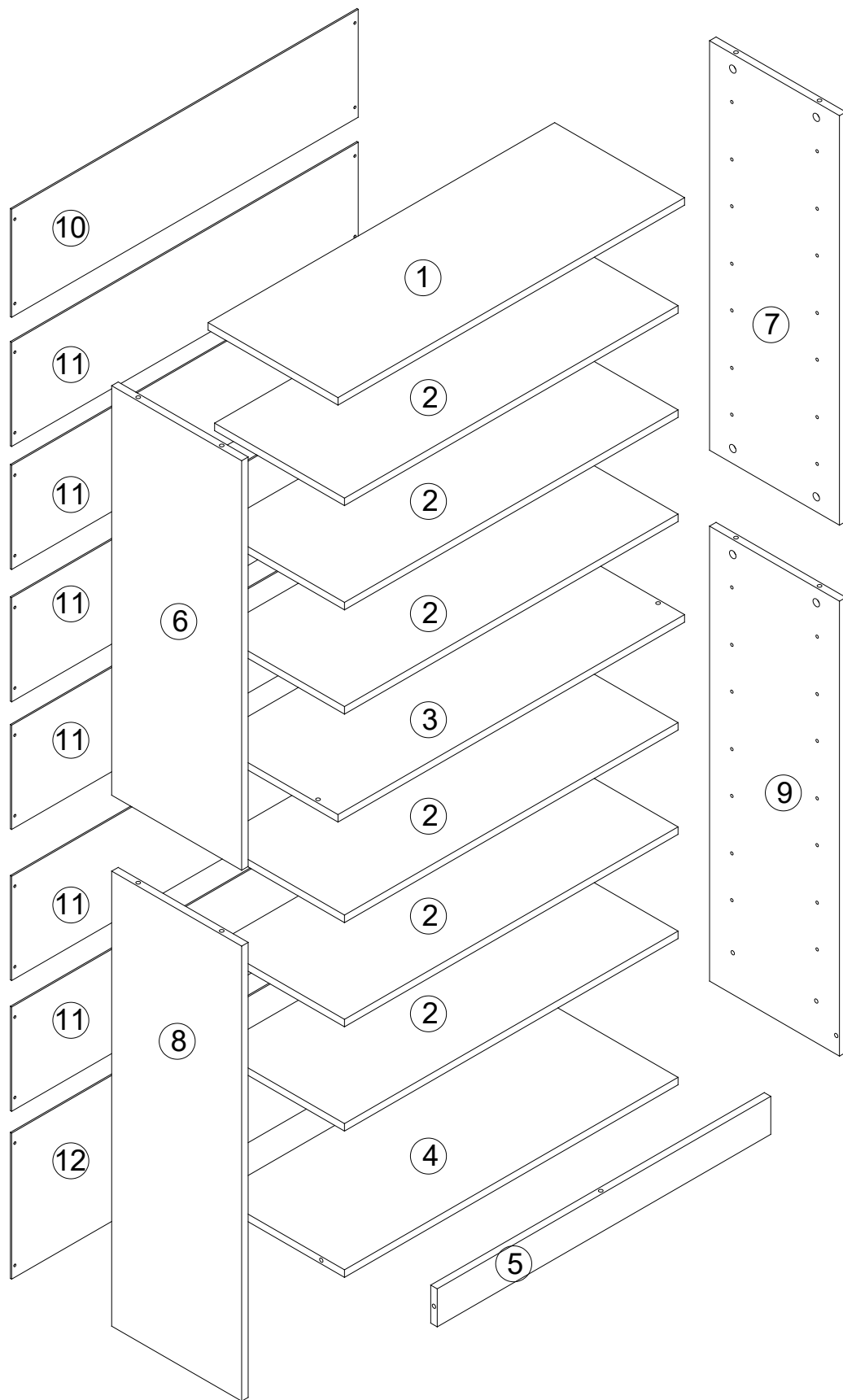


Cx32



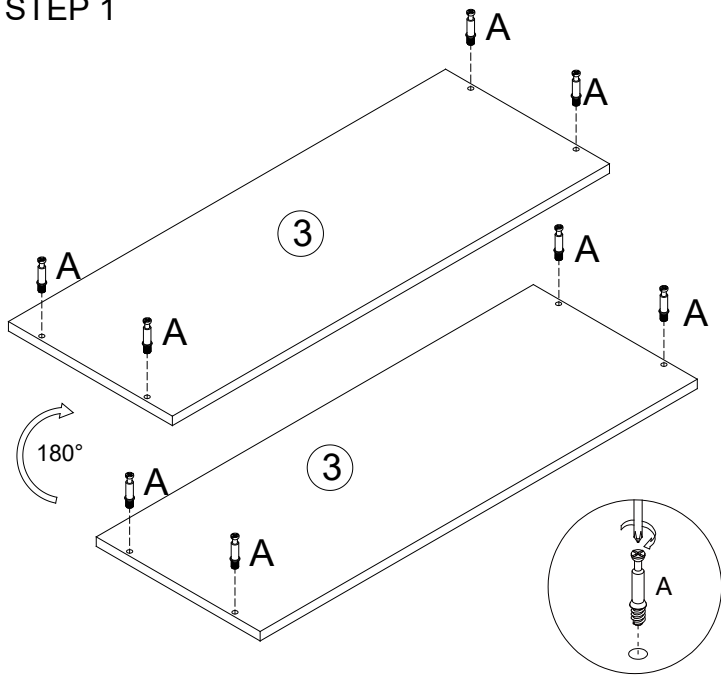
Dx24



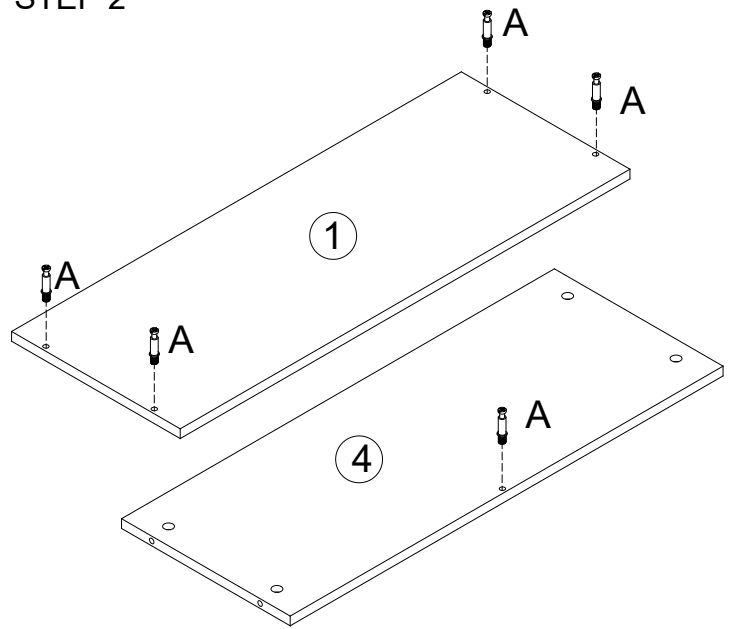


1 - x1	6 - x1	11 - x6
2 - x6	7 - x1	12 - x1
3 - x1	8 - x1	
4 - x1	9 - x1	
5 - x1	10 - x1	

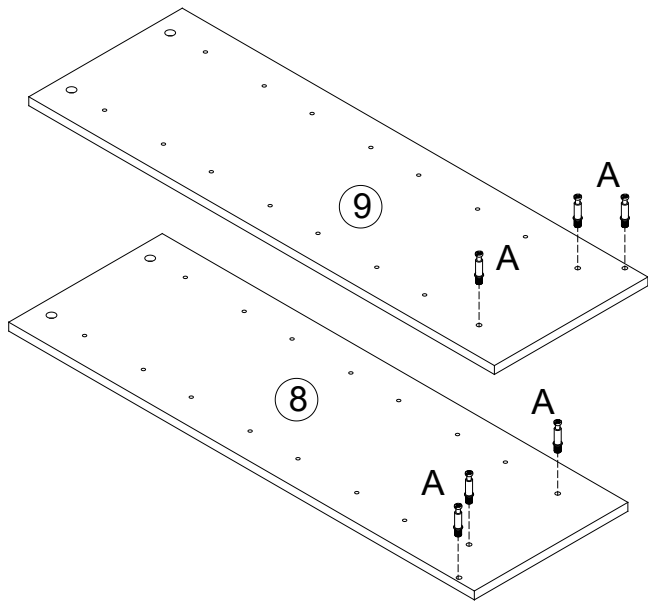
STEP 1



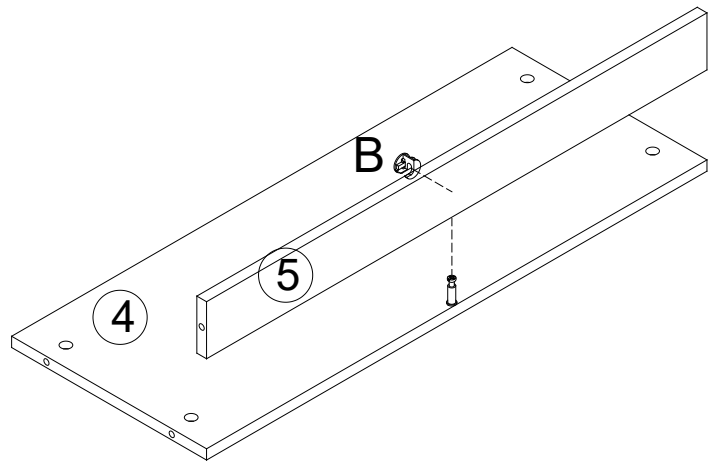
STEP 2



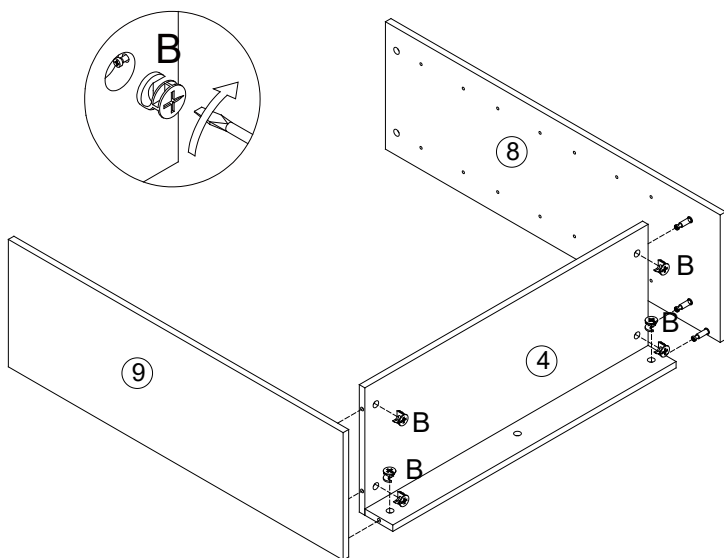
STEP 3



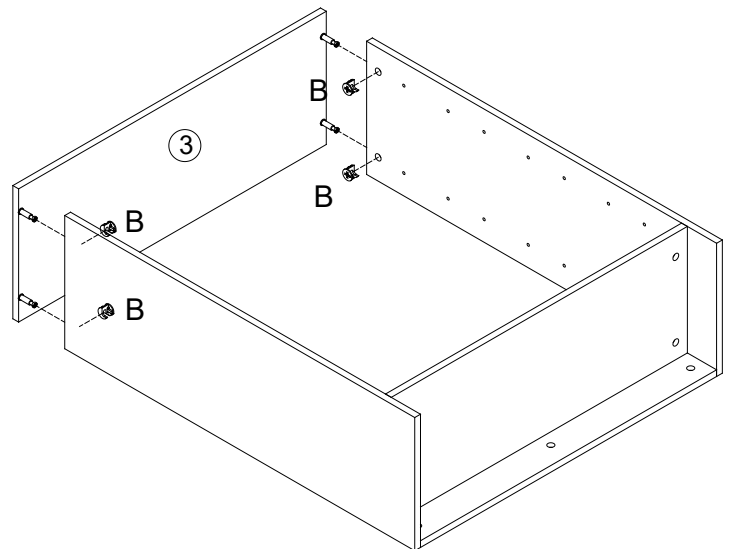
STEP 4



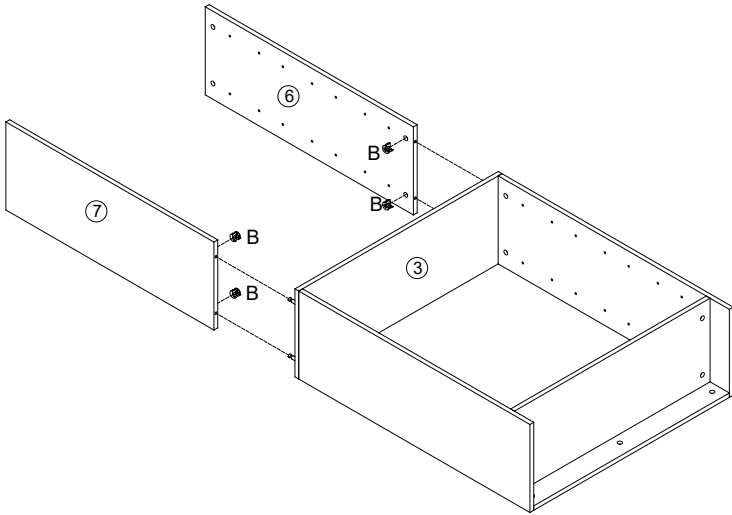
STEP 5



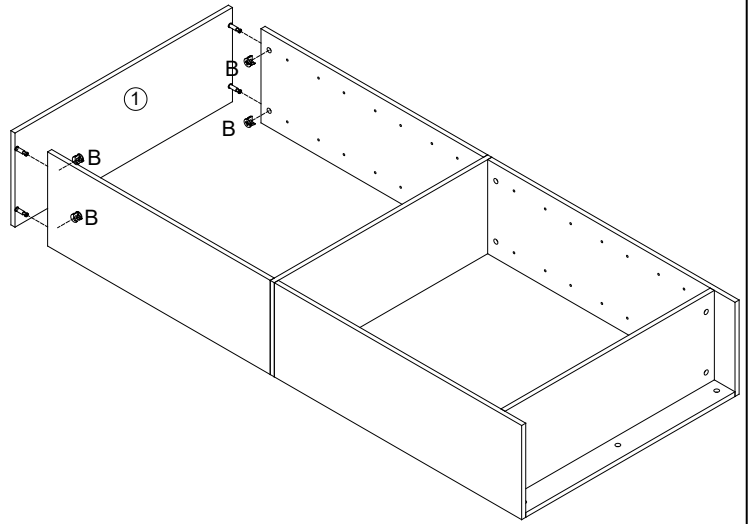
STEP 6



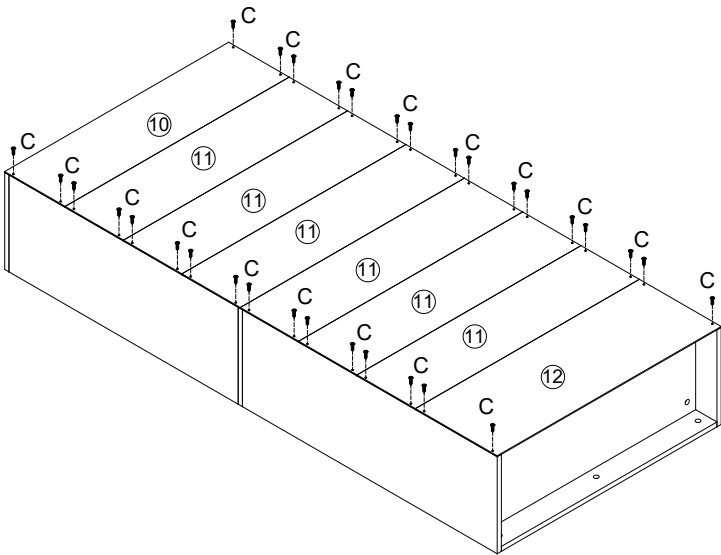
STEP 7



STEP 8



STEP 9



STEP 10

