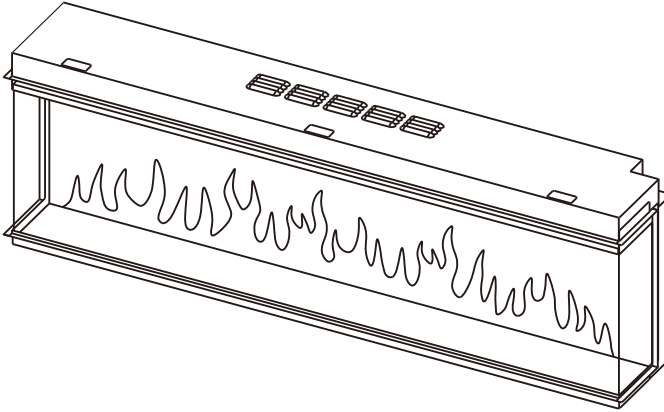






In Wall Recessed and Wall Mounted Electric Fireplace

EF419B EF420B EF421B EF422B EF423B
OWNER'S MANUAL



 WARNING	Read and understand this entire owner's manual, including all safety information, before plugging in or using this product. Failure to do so could result in fire, electric shock, or serious personal injury.
 CAUTION	Keep this owner's manual for future reference. If you sell or give this product away, make sure this manual accompanies this product.

DO NOT RETURN!

Contact our customer service team for help first.
service5@fireandfireplaceservice.com

Call: 949-385-6588

1. IMPORTANT SAFETY INFORMATION

WARNING

An instruction manual is provided with each unit, and shall also include at least the following general instructions, as appropriate.

1. Read all instructions before installing or using this heater.
2. This heater is hot when in use. To avoid burns, do not let bare skin touch hot surfaces. Keep combustible materials, such as furniture, pillows, bedding, papers, clothes, etc. and curtains at least 0.9 m from the front of the heater and keep them away from the sides and rear.
3. Extreme caution is necessary when any heater is used by or near children or invalids and whenever the heater is left operating and unattended.
4. Do not operate any heater after it malfunctions. Disconnect power at service panel and have heater inspected by a reputable electrician before reusing.
5. Do not use outdoors.
6. To disconnect heater, turn controls to off, and turn off power to heater circuit at main disconnect panel (or operate internal disconnect switch if provided).
7. Do not insert or allow foreign objects to enter any ventilation or exhaust opening as this may cause an electric shock or fire, or damage the heater.
8. To prevent a possible fire, do not block air intakes or exhaust in any manner.
9. A heater has hot and arcing or sparking parts inside. Do not use it

in areas where gasoline, paint, or flammable vapors or liquids are used or stored.

10. Use this heater only as described in this manual. Any other use not recommended by the manufacturer may cause fire, electric shock, or injury to persons.

This device complies with part 15 of the FCC Rules. Operation is subject to the following two conditions: (1) This device may not cause harmful interference, and (2) this device must accept any interference received, including interference that may cause undesired operation.

FCC warning:

Any Changes or modifications not expressly approved by the party responsible for compliance could void the user's authority to operate the equipment.

Note: This equipment has been tested and found to comply with the limits for a Class B digital device, pursuant to part 15 of the FCC Rules. These limits are designed to provide reasonable protection against harmful interference in a residential installation. This equipment generates uses and can radiate radio frequency energy and, if not installed and used in accordance with the instructions, may cause harmful interference to radio communications. However, there is no guarantee that interference will not occur in a particular installation. If this equipment does cause harmful interference to radio or television reception, which can be determined by turning the equipment off and on, the user is encouraged to try to correct the interference by one or more of the following measures:

- Reorient or relocate the receiving antenna.
- Increase the separation between the equipment and receiver.
- Connect the equipment into an outlet on a circuit different from that to which the receiver is connected.
- Consult the dealer or an experienced radio/TV technician for help.

This equipment complies with FCC radiation exposure limits set forth for an uncontrolled environment. This equipment should be installed and operated with minimum distance 20cm between the radiator & your body.

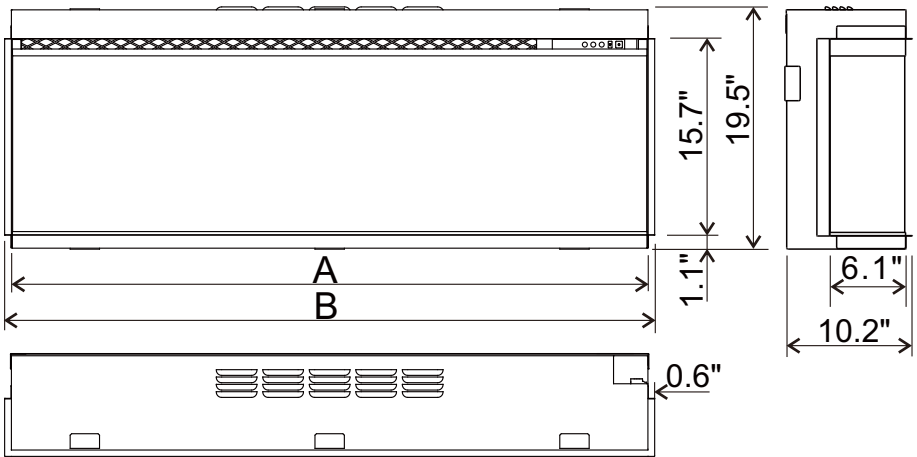
SAVE THESE INSTRUCTIONS

2. TECHNICAL SPECIFICATIONS

Electric Specifications

Model	Volt	Watt (min/max)	Hz	BTU(max)	Amp	Heating Area(max)
EF419 - 423B	120	750/1500	60	5100	12.5	400 square feet

Product Dimensions



Model	Unit	EF419B	EF420B	EF421B	EF422B	EF423B
A	inch	35.4	43.3	51.2	59.1	70.9
	mm	900	1100	1300	1500	1800
B	inch	36.5	44.4	52.3	60.2	72
	mm	928	1128	1328	1528	1828

3. BEFORE INSTALLATION

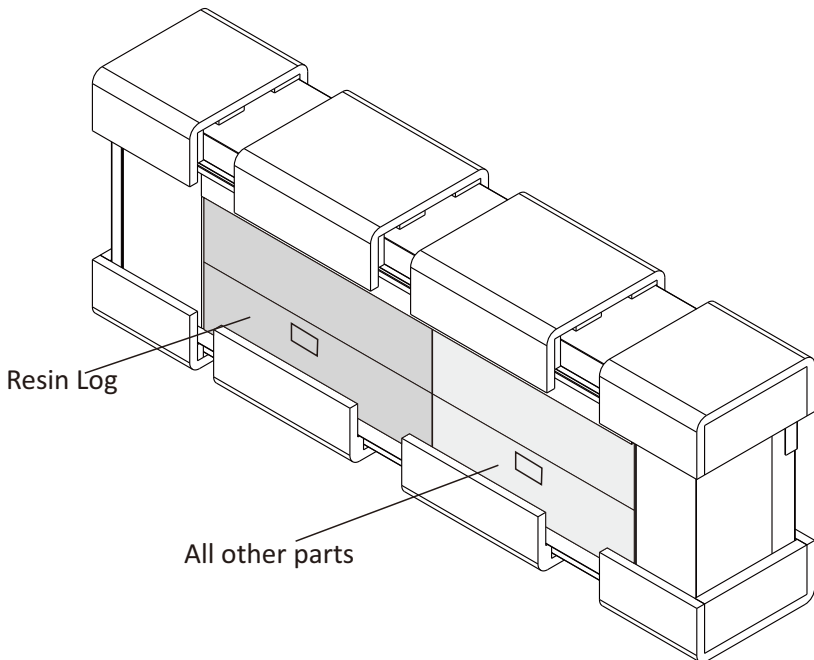
Note:

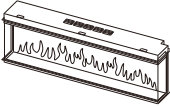


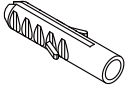
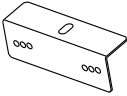

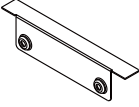
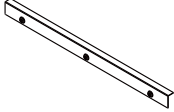
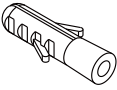
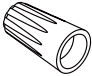
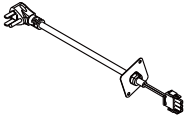
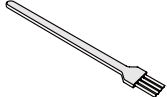



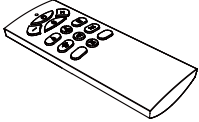
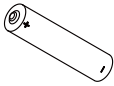


- Keep the packaging (carton, rapping bag, etc.) for future transportation and/or storage.
- If there is any problem or question, please contact the service team.
- If the unit needs to be returned, please make sure all the spare parts are packed inside, and packing as the same as the original packing.

Check Spare Parts

- Open the packaging carefully and remove the polystyrene.
- Check all the spare parts are fully received.
- Carefully check if any damages that may have for the spare parts.

NOTE: Contact service team for help if there is any part missing or damaged. Email to service5@fireandfireplaceservice.com or call 949-385-6588.



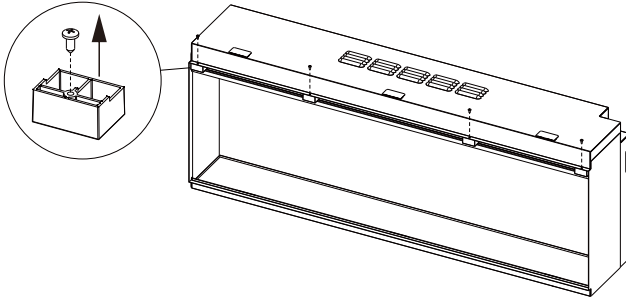
			
1x	4x	13/13/14/14/18x	13/13/14/14/18x
Firebox	Screw ST4*8	Screw ST5*40	Wall Plug Ø8*40
			
2x	4/4/6/6/6x	4x	2x
Bottom mounting Bracket	Screw ST4*12	Side Glass Trim(top/bottom)	Side Glass Trim(Side)
			
1x	3x	1x	1x
Wall Plug Ø4*20	Cable Cap	Power Cord	Brush
			
1 set x	1 set x	1 set x	1x
Resin Log	Vermiculate	Black Chips	Remote Handset
			
2x	1x	1x	
AAA Battery	Instruction Manual	Voice Control Manual	

Function Testing

Please refer to section 5a. Manual Control Panel and 5b. Remote Control to test the appliance first before installation. **Should any defects found, please contact service team for help. Call 949-385-6588 or Email service5@fireandfireplaceservice.com.**

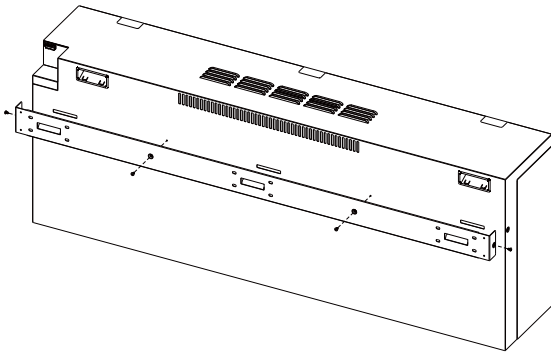
4. INSTALLATION INSTRUCTIONS

1.1 Remove the bracket used to protect the glass during transportation.



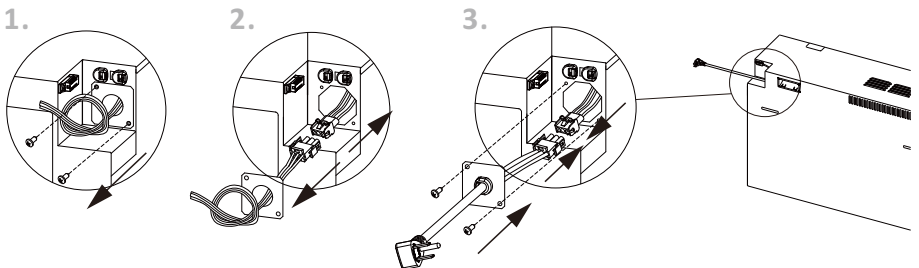
1.2 Remove the wall mounting bracket.

Note: Keep all the screws removed.



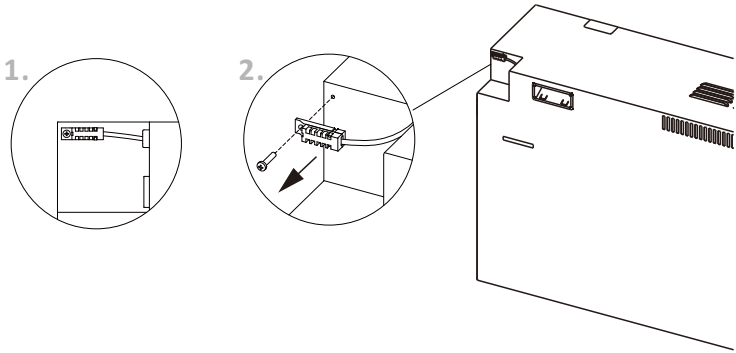
1.3 Connect the power cord, for hard wire, please refer to page 19.

Remove the cover of the junction box, unplug the connector and take the wire and cover out, plug the power cord on and fix the cover.

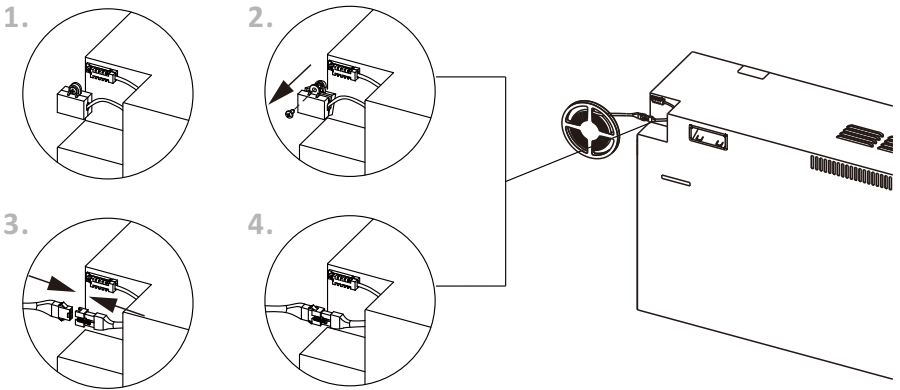


1.4 Remove the temperature sensor from the firebox (if needed).

You can fix it on the outer surface of the wall to measure the room temperature more accurately. The cable length is 37.4"(95cm).



1.5 Remove the protective cover of the plug for ambient light (if needed)



Note: Compatible ambient lights are available from Legend Flame LLC Group, and other makes may not be suitable and will void warranty.

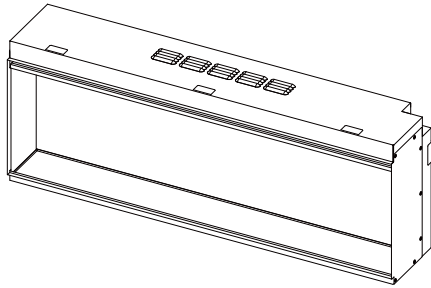
1.6 Choose aspect type

The appliance can be installed in three different aspects:

- Front (1 glass panel)
- Corner (2 glass panels)
- Panoramic (3 glass panels)

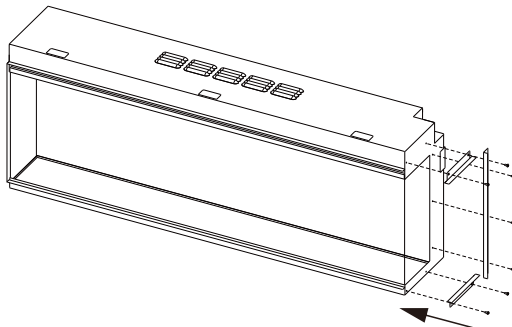
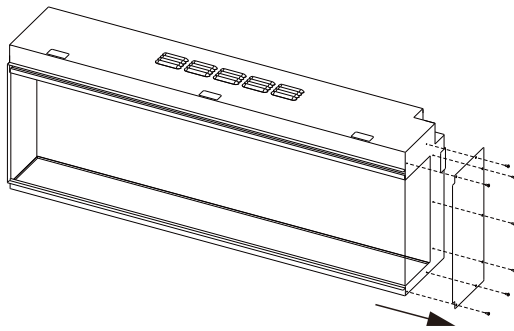
Front Aspect

Your appliance will arrive in a front aspect with metal side panels already fitted.



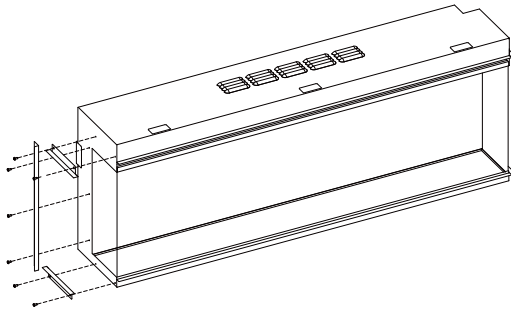
Corner Aspect

For a corner aspect, choose which side you want to feature a glass panel and remove the 7 screws that secure the metal side panel to the appliance. Carefully remove the panel and keep the screws in a safe place. Using the removed screws, take **2 top/bottom** side glass edge trims and **1 side** glass edge trim and screw them to the appliance as shown below.



Panoramic Aspect

For a panoramic aspect, repeat the corner aspect procedure on the opposite side of the appliance.



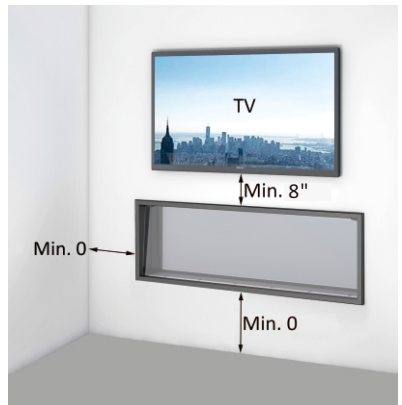
1.7 Locate the appliance

Your new electric fireplace may be installed virtually anywhere in your home. However, when choosing a location ensure that the general instructions are followed.

- For best results, install out of direct sunlight.
- The appliance should be connected to an earthed electrical outlet and it must be easily accessible to allow disconnection.

MINIMUM CLEARANCE TO COMBUSTIBLE

Sides.....	0
Floor.....	0
Back.....	0
Top (Mantel or TV)	8" Minimum
Front.....	36" Minimum



1.8 Prepare power supply

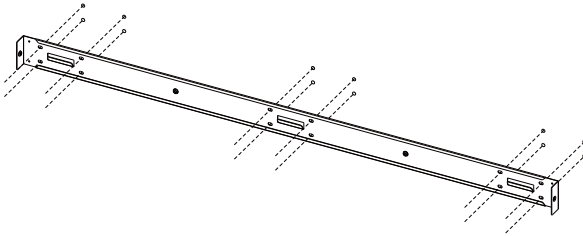
1.9 Installation

The following installation types are only given as a general guide. Various materials can be used for the framework and cladding. But consideration should be made to soften the internal surface of any cladding to minimise the amplification of noise.

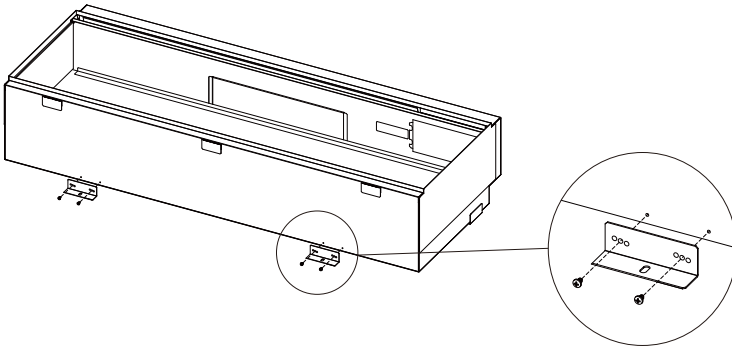
WALL MOUNTED

- **Fix the wall mount bracket on the wall**

Put the mounting bracket on the wall where you would like to install the appliance, mark the holes for screws, drill holes on the marks, insert the wall plugs $\Phi 8*40$ into the holes and fix the bracket by screw ST 5*40.

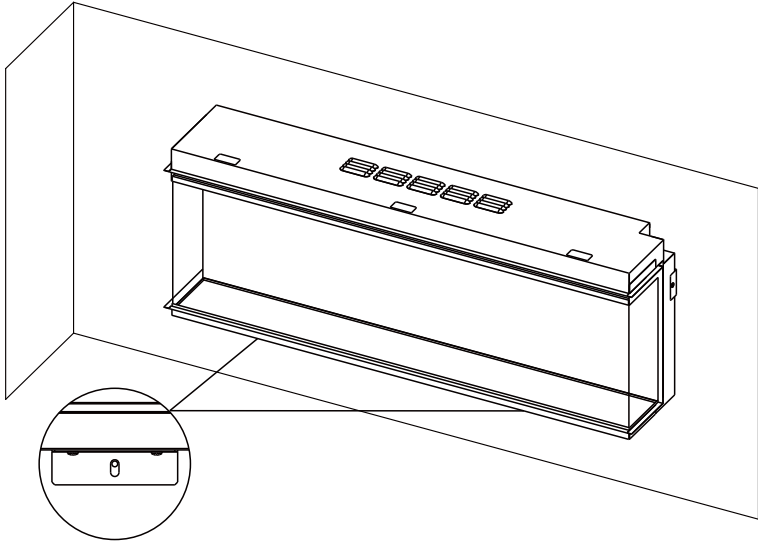


- **Fix two bottom mounting brackets by four ST 4*8 screws.**



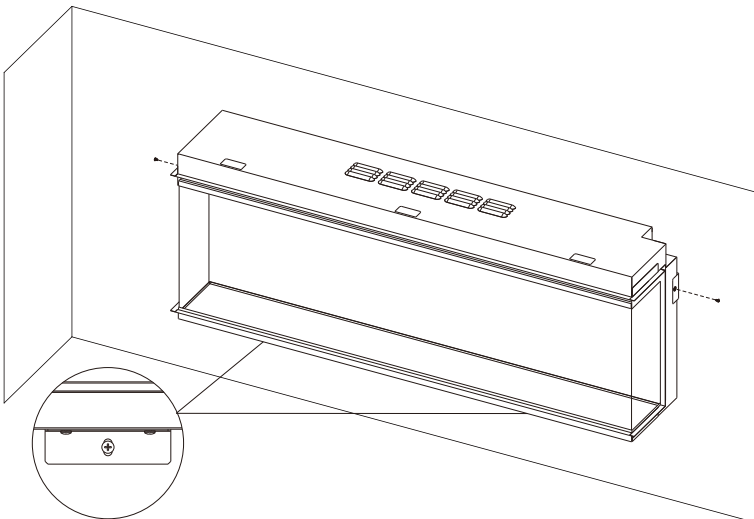
- **Mark the positions for bottom mounting brackets**

Lift the appliance up and attach to the mounting bracket, mark the hole position of fixing bracket and take the appliance down. Drill holes on the marks and insert wall plug $\Phi 8*40$ (for masonry wall only).



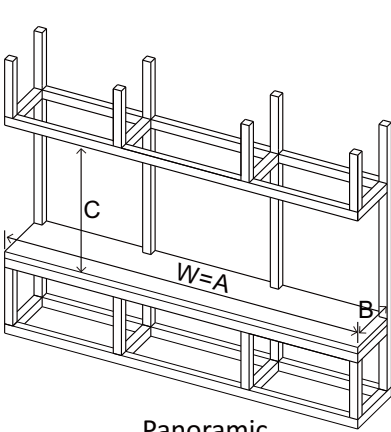
- **Attach the appliance to the wall mount bracket**

Secure the appliance to the wall bracket (Use the screws previously removed) and secure the bottom mounting brackets by two ST5x40 screws.

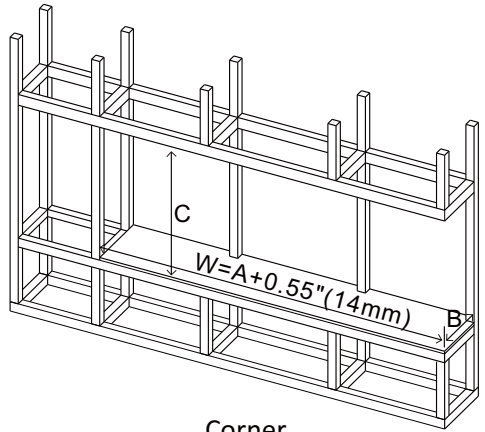


BUILD IN

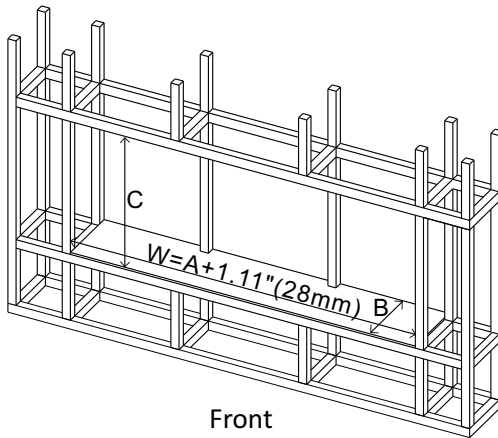
- Build a frame



Panoramic



Corner

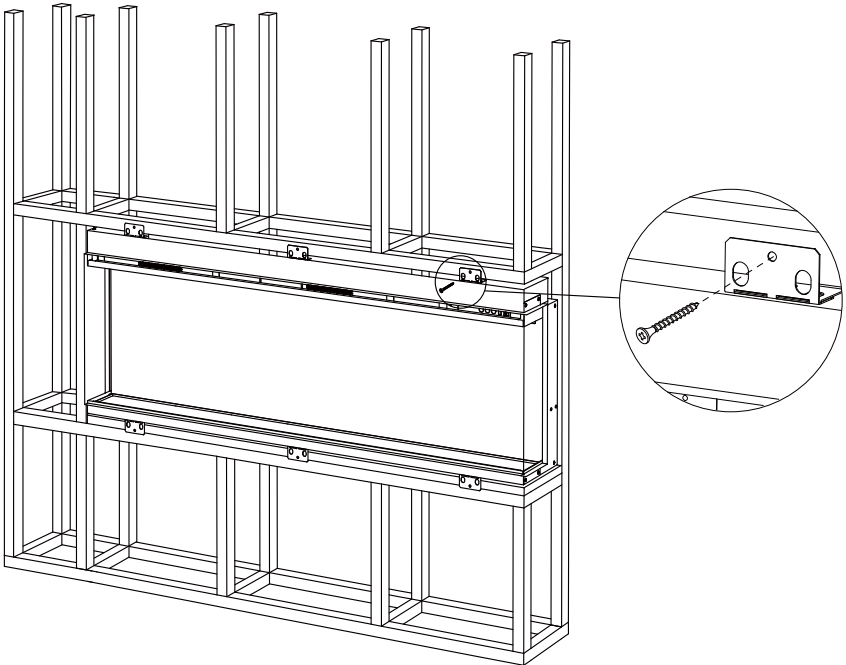
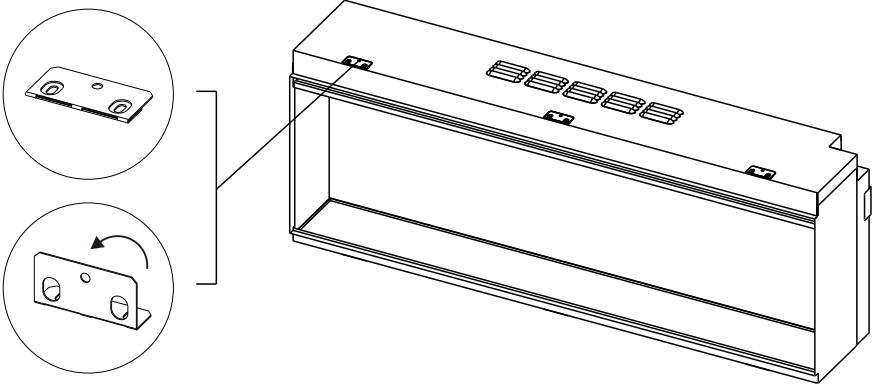


Front

Model	Unit	EF419B	EF420B	EF421B	EF422B	EF423B
A	inch	35.4	43.3	51.2	59.1	70.9
	mm	900	1100	1300	1500	1800
B	inch	11.2	11.2	11.2	11.2	11.2
	mm	285	285	285	285	285
C	inch	19.9	19.9	19.9	19.9	19.9
	mm	505	505	505	505	505

• **Push the appliance into the frame and secure.**

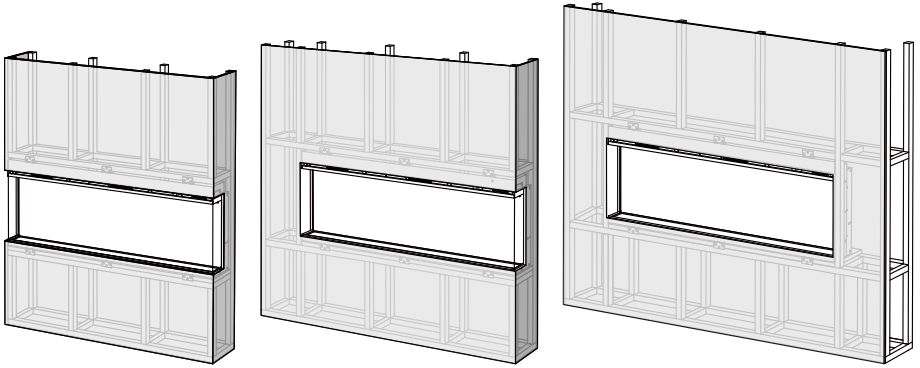
The brackets on top panels can be forced upright by fingers, open the brackets, push the appliance into the frame and fix it to the frame by ST4*12 screws.



- **Plug it in and test the function again.**

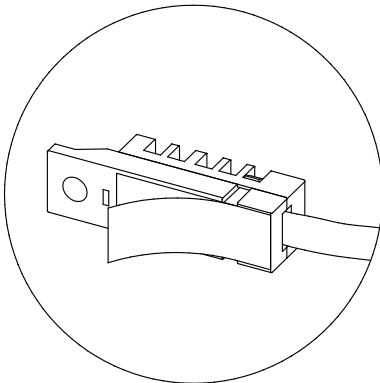
- **Finish the wall**

Note: leave the sensor out of the finished wall.

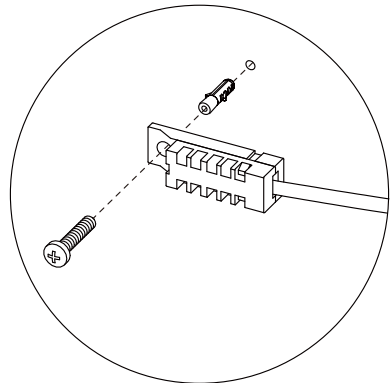


- **Temperature sensor arrangement**

In order to improve the accuracy of the temperature sensor, you can remove it from the appliance and fix it on the wall where the hot air from the heater has less effect. If needed, a wall plug $\Phi 4*20$ could be used when fix on the wall.

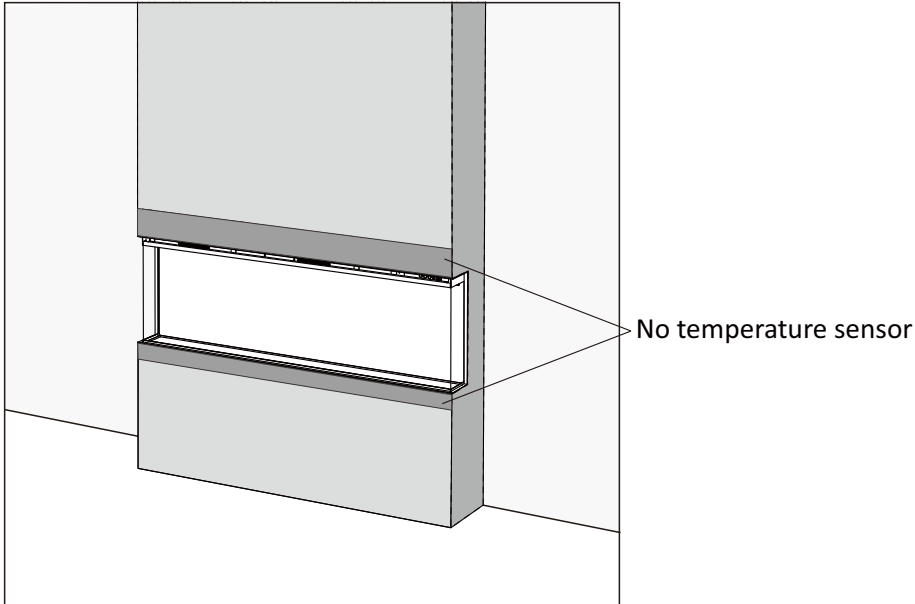


Stick on the wall



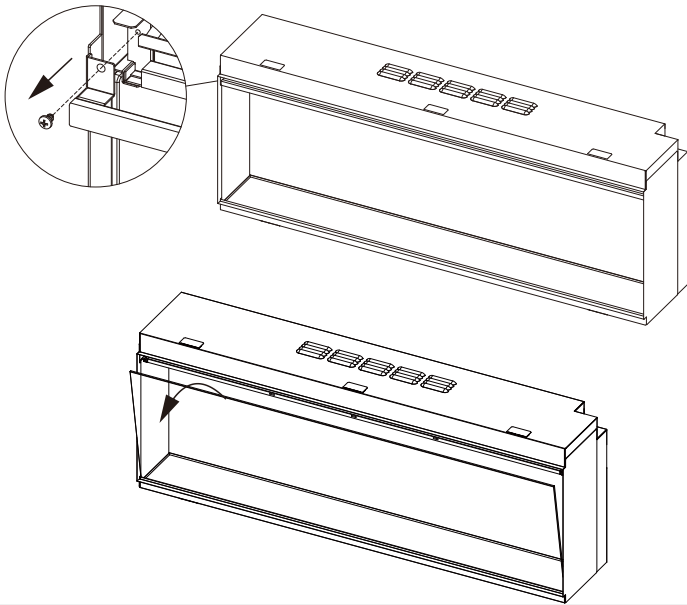
Fix on the wall

Note: For a lesser effect by hot air from the heater, do not fix the sensor in the below area.



1.10 Fuel bed arrangement

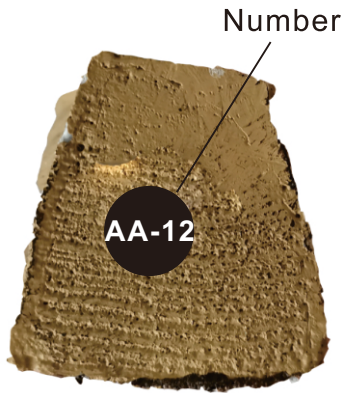
- **Remove the front glass**

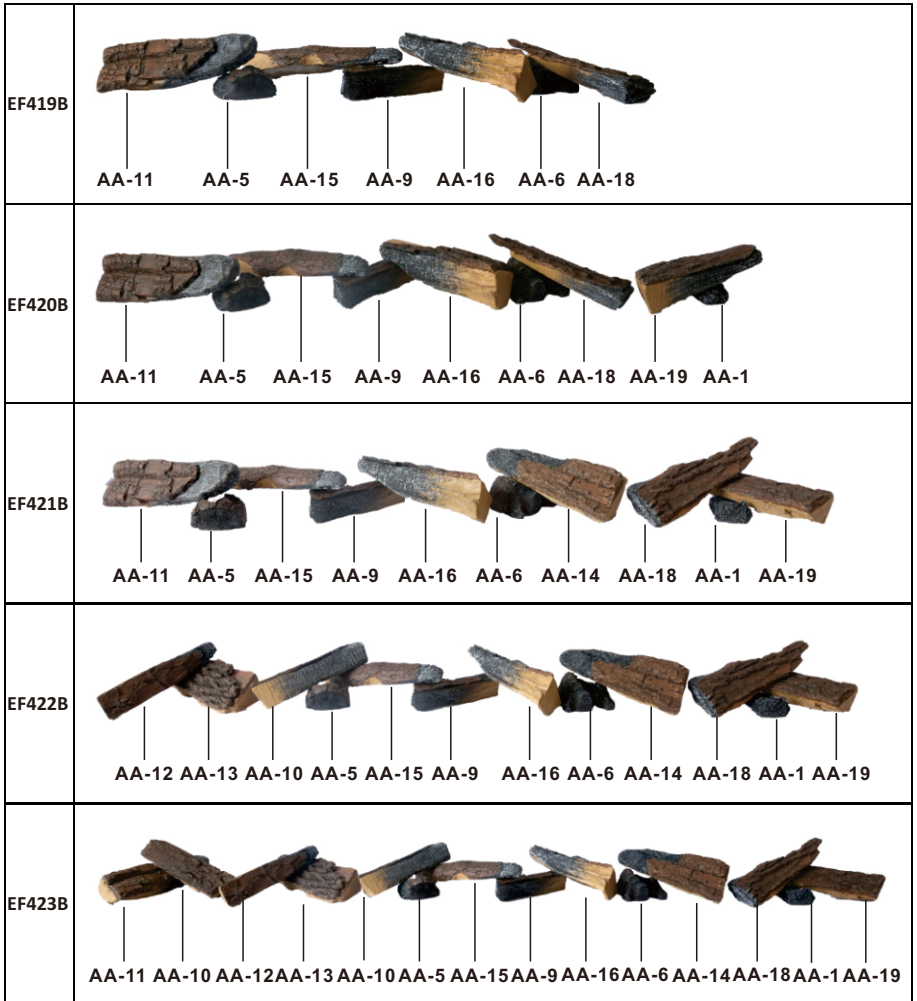


- Set the fuel bed according to the following instructions to give the more realistic log flame effect:

Step 1: Every log has a number on its back to be identified. Place the logs on the fuel bed according to the layout printed on the fuel bed panel.

	AA-1	AA-5	AA-6	AA-7	AA-9	AA-10	AA-11	AA-12	AA-13	AA-14
Log										
	AA-15	AA-16	AA-17	AA-18	AA-19					
Log										





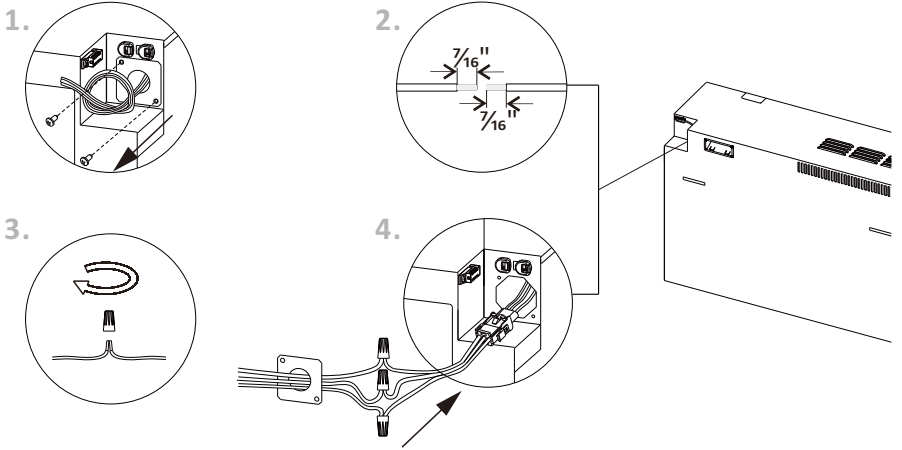
Step 2: Place the black glass chips on the fuel bed.

Step 3: Place the vermiculate at the edge of the fuel bed.

Step 4: Use the brush provided to clean the vermiculate in the slot and then install the front glass back.

Hard Wire

Remove the cover of the junction box, strip the wires for $\frac{7}{16}$ " (11mm), put the wires from the house into the hole of the cover, connect wires by caps provided, fix the cover back.



5. OPERATING INSTRUCTIONS

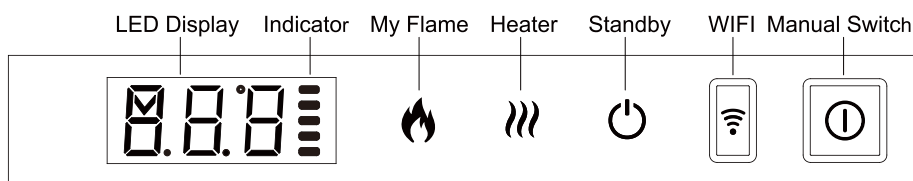


Read and understand this entire owner's manual, including all safety information, before plugging in or using this product. Failure to do so could result in electric shock, fire, serious injury, or death.



WARNING! Do not operate the unit if it is damaged or has malfunctioned. If you suspect the unit is damaged, call a qualified service technician to inspect and replace any part of the electrical system if necessary.

5a. Manual Control Panel



Note: Press Manual Switch before operating either manual control, remote or APP. A long beep sound is heard to indicate the appliance is ready for use.

Note: The manual buttons control only basic functions, not a full range of controls. Use in conjunction with the remote handset or the APP to carry out

MAIN SWITCH: Press to turn on or turn off power to the appliance.

Note: The controls on appliance will lose the memory for all function settings when the switch is set to the Off Position.

STANDBY: Turn on the appliance with the last used settings without any heat. Place the appliance into standby mode with all features turned off.

MY FLAME: Press to cycle through 9 flame colors and off setting.

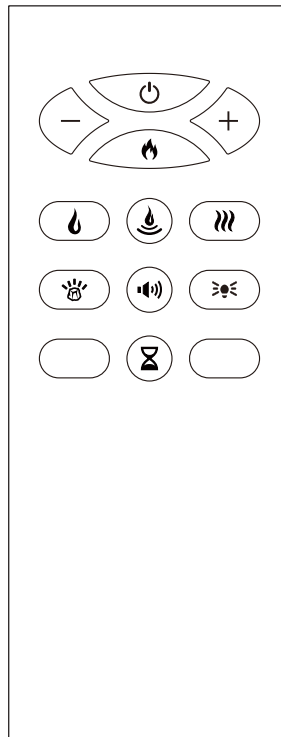
HEATER: Press to cycle through the heat output options: Low-High-Off

Note: In order to prevent the product becoming too hot, there is a 10s delay when turning on the heater and a 10s delay when turning off the heater fan.











WiFi: Press to turn WiFi on or off. An illumination LED indicates that the WiFi is turned on. Hold the button for 3 seconds to enter device pairing mode.

Note: Each time a button is pressed on the appliance or on the remote control, an audible beep is emitted. To turn off this feature, keep pressing button MY FLAME for 3 seconds.

5b. REMOTE CONTROL



IMPORTANT: The remote control handset must be left in the same room as the appliance as it houses the thermostat that regulates heat output.

BUTTON	TITLE	FUNCTION
	STANDBY	Turns on the appliance with the last used settings without any heat. Place the appliance into standby mode with all features turned off.
	MY FLAME	Press to cycle through 9 default flames and off.
	MAIN FLAME	Press to turn on/off the main flame .
	SECOND FLAME	Press to cycle through second flame 1, 2, ..., 9 and off.
	FUEL BED	Press to cycle through fuel bed 1, 2, ... 9 and off.
	Minus & Plus	Press to adjust the brightness, volume, and time after pressing the MAIN FLAME/ SECOND FLAME/FUEL BED/ AMBIENT LIGHT /CRACKLE CHOICE/TIMER button once; Press directly to set the temperature; Press + for 3s to change the temperature unit between °C and °F.
	HEATER	Press to cycle through Low-High-Off Note: if the thermostat is on and room temperature is higher than setting value, the heater will not work.
	TIMER	Press to cycle through 0.5H, 1H, 2H, 3H, 4H, 5H, 6H, 7H, 8H, 9H and off.
	AMBIENT LIGHT	Press to cycle through ambient light 1, 2, ... 14, off.
	CRACKLE CHOICE	Press to turn on or turn off crackling sound effect.

IMPORTANT SAFETY INFORMATION FOR BATTERY

1. Two AAA batteries are required for the remote control;
2. Use the thumb press and push the bar figure on the back cover down simultaneously, then take out the cover and remove the battery or insert the battery, after this place the cover back on the rear of the remote;
3. This AAA battery (non-recharged) is not to be recharged;
4. Different types of batteries or new and used batteries are not to be mixed;
5. Battery is to be inserted with the correct polarity;
6. Exhausted batteries are to be removed from the appliance and safely disposed of;
7. If the remote control is to be stored unused for a long period, the battery should be removed;
8. The supply terminals are not to be short-circuited.

5c. APP CONTROL

Visit your APP store (IOS or Android) to download the TUYA SMART APP. Follow the onscreen instructions to create an account. Once installed, follow the procedure below to pair the device with your appliance.

- Start the APP and click “Add Device” on screen. Select “Small Home Appliance” from the list, then select “Electric Fireplace (Wi-Fi)”.
- Ensure the appliance is powered on, then press and hold the Wi-Fi button on the appliance until you hear 3 beeps at EZ mode. At the same time the Wi-Fi button and the fuel bed will blink. If failed at EZ mode, try AP mode. Please press the Wi-Fi button, you will hear 3 beeps, then keep pressing until you hear other 5 beeps enter AP mode.
- Follow the instructions on the APP to input your home network details. Note, your device must also be connected to the same home network what you wish to connect the appliance to.
- Complete setup and link the fireplace to your account.

We have created a very detailed APP Operation Instruction and a video to guide you through the process how to load down the TUYA Smart APP, create an account, pair your appliance to your smart phone and operate the appliance. Scan the QR code to be taken to the Operation Instruction or the video.



APP Video



APP Instruction

5d. VOICE CONTROL

Note: Before using voice control, ensure that the appliance is connected to the TUYA APP and that Amazon Alexa or Google Assistant APP is installed .

Voice control via Amazon Alexa & Google Assistant. See 《Amazon Alexa & Google Assistant Commands》

RESETTING THE THERMAL CUT OUT

The appliance is fitted with an Electronic Safety Control (E.S.). This is a safety device, which switches off the fire if, for any reason, the appliance overheats, e.g. when covered. If the heater stops operating while the flame effect continues working normally, this indicates that the E.S. Control is in operation. The E.S. Control can only be re-set after the appliance has cooled down, and the appliance has been reset. Resetting of the E.S. Control proceeds is as follows:

1. Switch off the appliance (Manual switch) and leave it off for approximately 10-15 minutes.
2. Remove any obstruction to the fan heater outlet or fan blades etc. Make sure that the power supply is disconnected with the plug socket outlet while doing this.

3. Switch on the appliance and the E.S. Control will be reset.
4. Ensure that the appliance is functioning correctly. If the E.S. Control operates again, the appliance should be checked by a competent electrician.

WINDOW OPEN DETECTION

When the sensor detects a rapid drop in room temperature, it will be identified as a window open, the warning icon 'OPn' will be displayed and the heating will be turned off automatically.

After the indoor temperature has risen or a manual override of the warning (by operating touch control panel or remote control or heat button on APP) has been done, the fire will return to normal working state.

6. CARE AND MAINTENANCE



ALWAYS turn the heater OFF and unplug the power cord from the outlet before cleaning, performing maintenance, or moving this fireplace. Failure to do so could result in electric shock, fire, or personal injury.

Cleaning



NEVER immerse in water or spray with water. Doing so could result in electric shock, fire, or personal injury.

Metal:

- Buff using a soft cloth, slightly dampened with a citrus oil-based product.
- **DO NOT** use brass polish or household cleaners as these products will damage the metal trim.

Glass:

- Use a good quality glass cleaner and dry thoroughly with a paper towel or lint-free cloth.
- **NEVER** use abrasive cleansers, liquid sprays, or any cleaner that could scratch the surface.



Plastic:

- Wipe gently with a slightly damp cloth and a mild solution of dish soap and warm water.
- **NEVER** use abrasive cleansers, liquid sprays, or any cleaner that could scratch the surface.

Vents:

- Use a vacuum or duster to remove dust and dirt from the heater and vent areas.
- Clean the exterior of the fireplace with a slightly damp cloth or duster.

Maintenance

	Risk of electric shock! DO NOT OPEN! No user-serviceable parts inside!
	ALWAYS turn the heater OFF and unplug the power cord from the outlet before cleaning, performing maintenance, or moving this fireplace. Failure to do so could result in electric shock, fire, or personal injury.

Electrical and Moving Parts:

- The fan motors are lubricated at the factory and will not require lubrication.
- Electrical components are integrated in the fireplace and are not serviceable by the consumer.

Storage:

- Store heater in a clean dry place when not in use.

Replacement parts:

- Use only replacement parts supplied by the manufacturer. Use of any other parts, or modifying the fireplace in any way, will void all warranties.
- No internal parts are replaceable or serviceable.

7. LIMITED WARRANTY

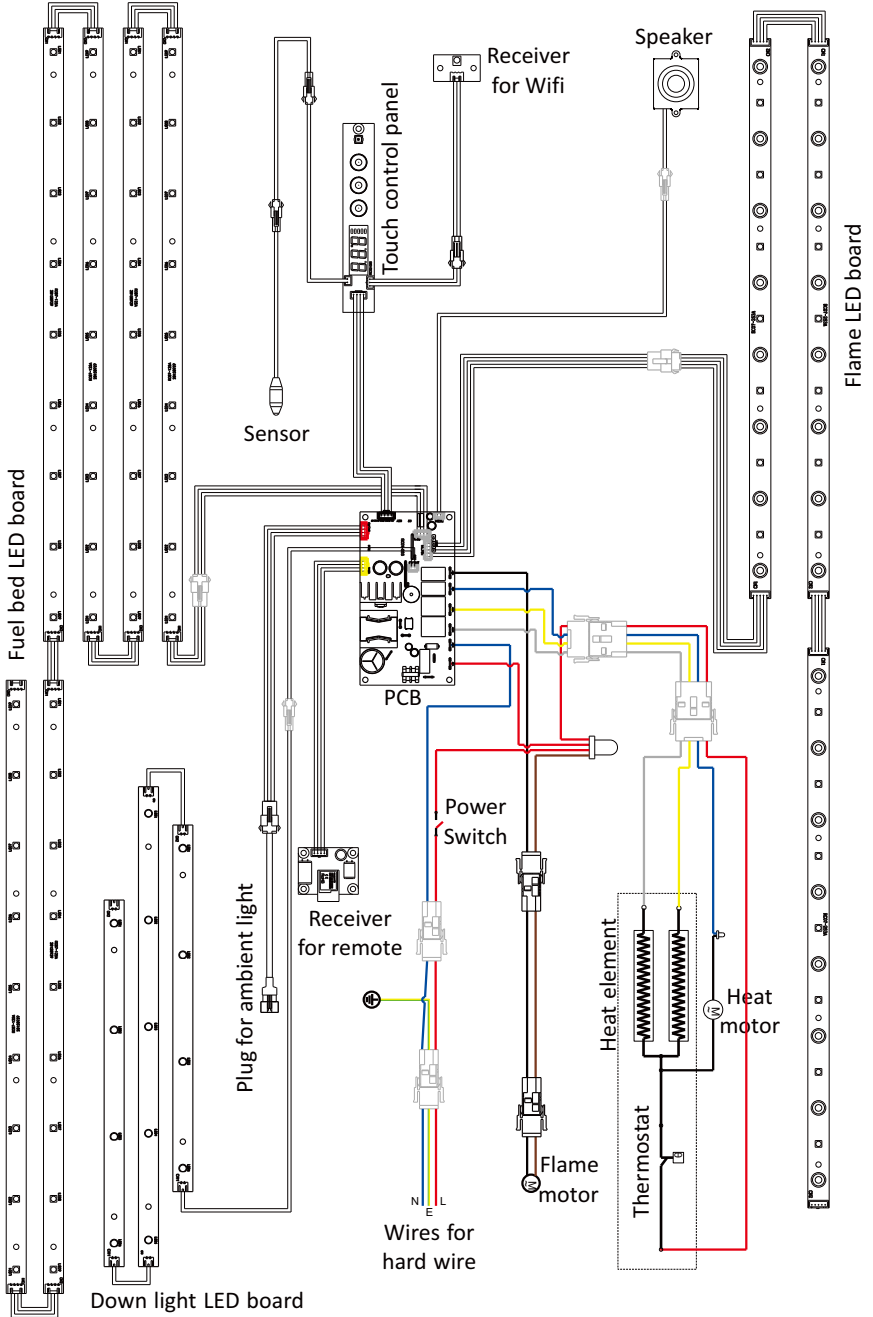
This warrants to the original purchaser that this product is free from defects in material and workmanship as of the date of purchase and that it will, under normal use and proper care, remain so for one year from the date of purchase. Missing or initially defective parts will be replaced free of charge during the period of this limited warranty. If parts are unavailable, comparable replacement or refund will be given. **The original dated sales receipt is required for all warranty claims.** This warranty does not cover damage which has occurred during transport from the point of purchase to the consumer's home. This warranty does not cover glass, light bulbs, batteries, transportation, labor, or other issues not associated with the manufacture of the product.

This product is for residential use only. Any and all commercial use of this product voids all warranties, and frees the manufacturer from all liability.

Read and understand all assembly and operating instructions, and all safety information and warnings, before use. The following will void this warranty: Damage caused from tampering with, modifying, or altering the fireplace insert in any manner; Damage due to incorrect assembly, improper care, misuse, or abuse; Damage from being used with the wrong power source; Water damage; Damage caused from this insert being used outdoors; Damage caused from this insert being used for excessive periods of time; Damage caused by the insert being used in a commercial application; Damage from use as a primary heat source; Other misuse or abuse not specifically listed herein.

This product is not intended to be used as a primary heat source. It is for supplemental heating purposes only.

8. SCHEMATIC DIAGRAM



Legend Flame Group LLC

Address: 92 Corporate Park, Ste. C655 Irvine, CA 92606, United States