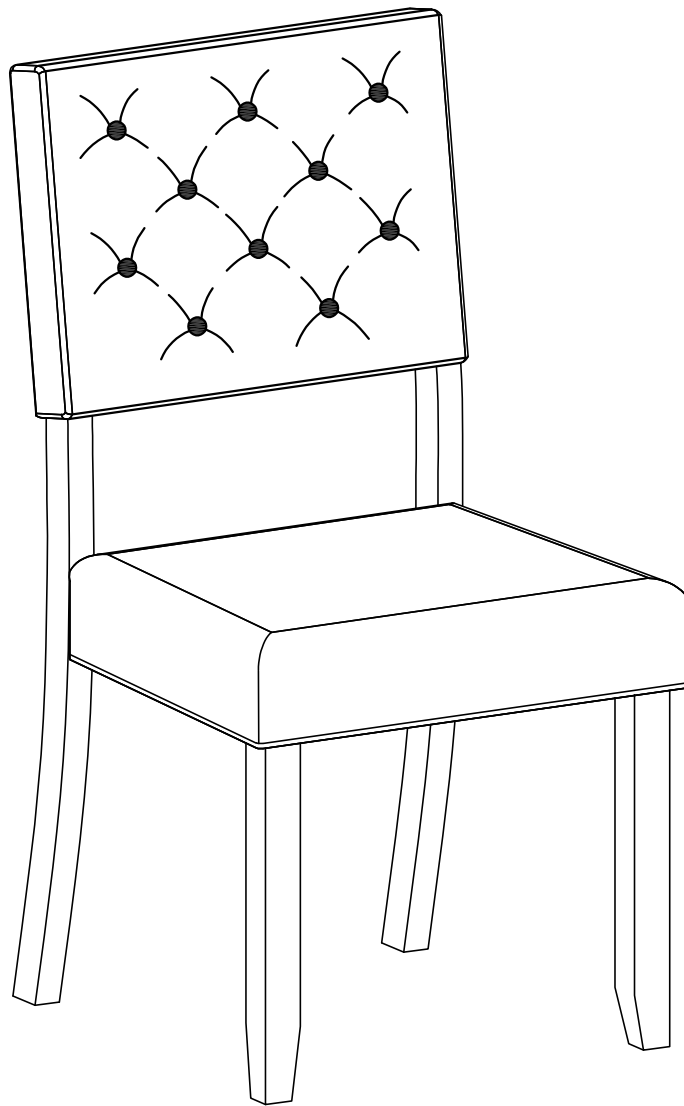


ASSEMBLY INSTRUCTION

ITEM NO.N715P387013

Dining Chair



ASSEMBLY INSTRUCTION

ITEM NO.N715P387013

Please read these instructions fully before starting assembly:

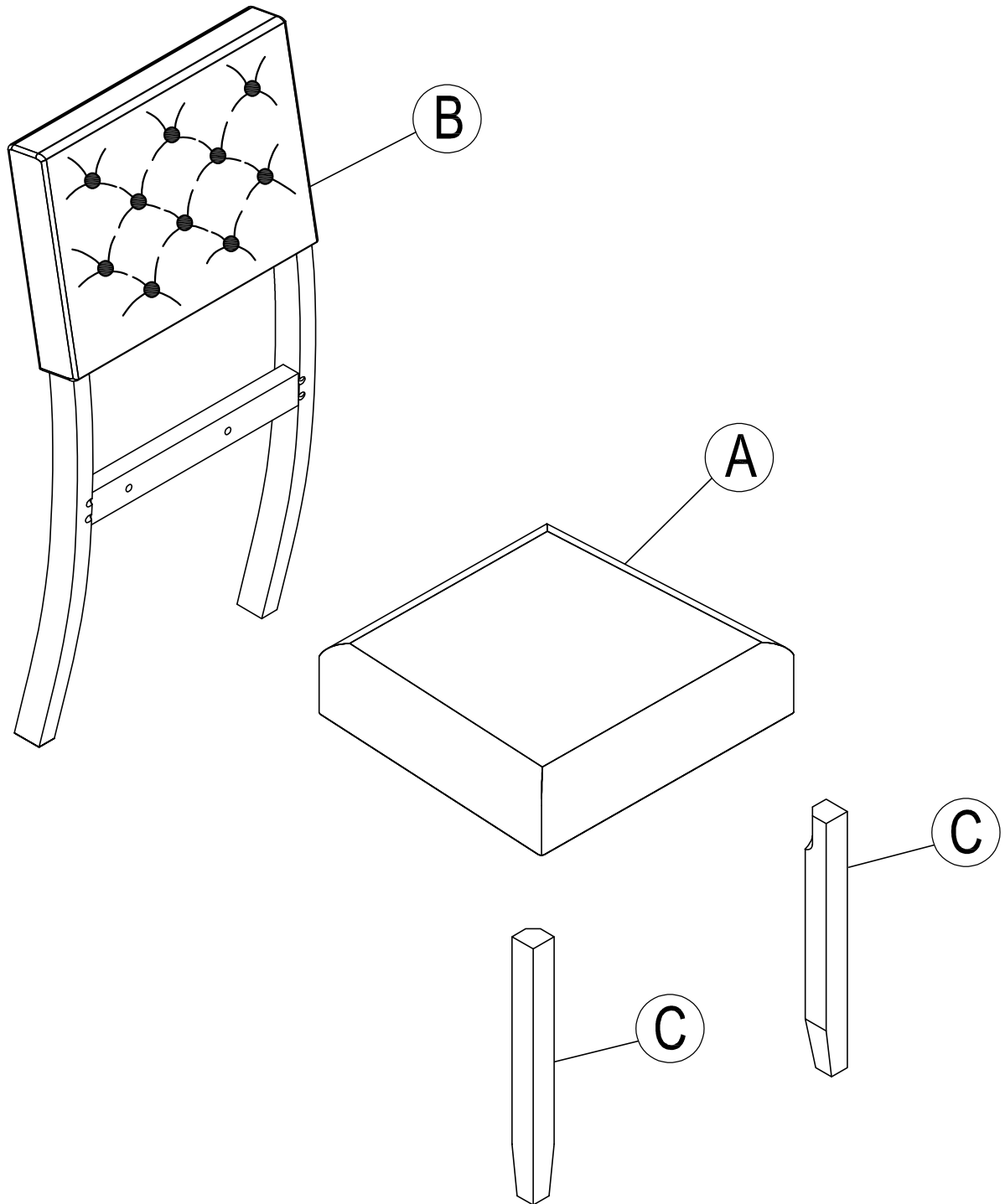
1. Place all wooden parts on a clean and smooth surface such as a rug or carpet to avoid scratching the parts.
2. Kindly follow the assembly instructions step by step.
3. Do not tighten all screws and bolts until the table is fully assembled.
4. Unscrew the protective plastique supports from the metal insert of the table legs before assembly.
5. Parts of the assembly will be easier with 2 people.

Care and maintenance:

Only clean using a damp cloth and mild detergent, do not use bleach or abrasive cleaners.

ASSEMBLY INSTRUCTION

ITEM NO.N715P387013

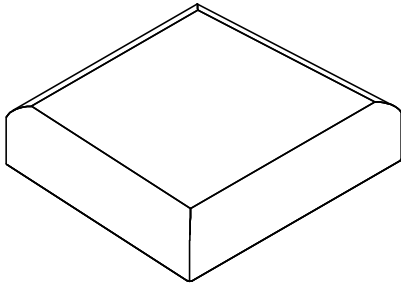


ASSEMBLY INSTRUCTION

ITEM NO.N715P387013

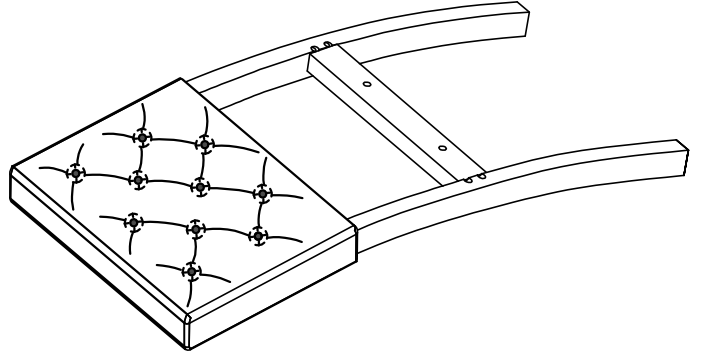
Part List For 2

Ⓐ



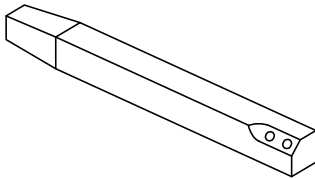
SEAT CHAIR (2 pcs)

Ⓑ



BACK CHAIR (2 pcs)

Ⓒ



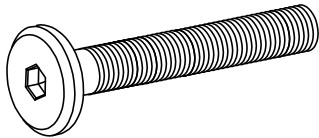
LEG FRONT (4 pcs)

ASSEMBLY INSTRUCTION

ITEM NO.N715P387013

Hardware List For 2

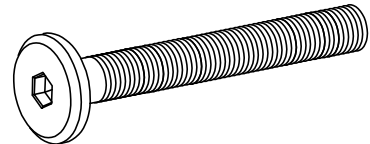
①



Ø 1/4" x 40mm

BOLT (4pcs)

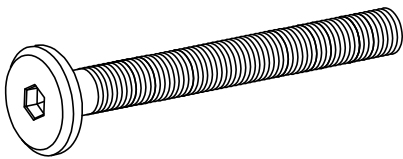
②



Ø 1/4" x 55mm

BOLT (8 pcs)

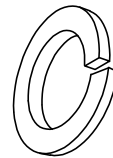
③



Ø 1/4" x 75mm

BOLT (8 pcs)

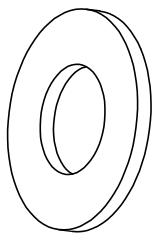
④



Ø5/16" x 13mm

LOCK WASHER (20 pcs)

⑤



Ø5/16" x 19 x 2mm

FLAT WASHER (20 pcs)

⑥



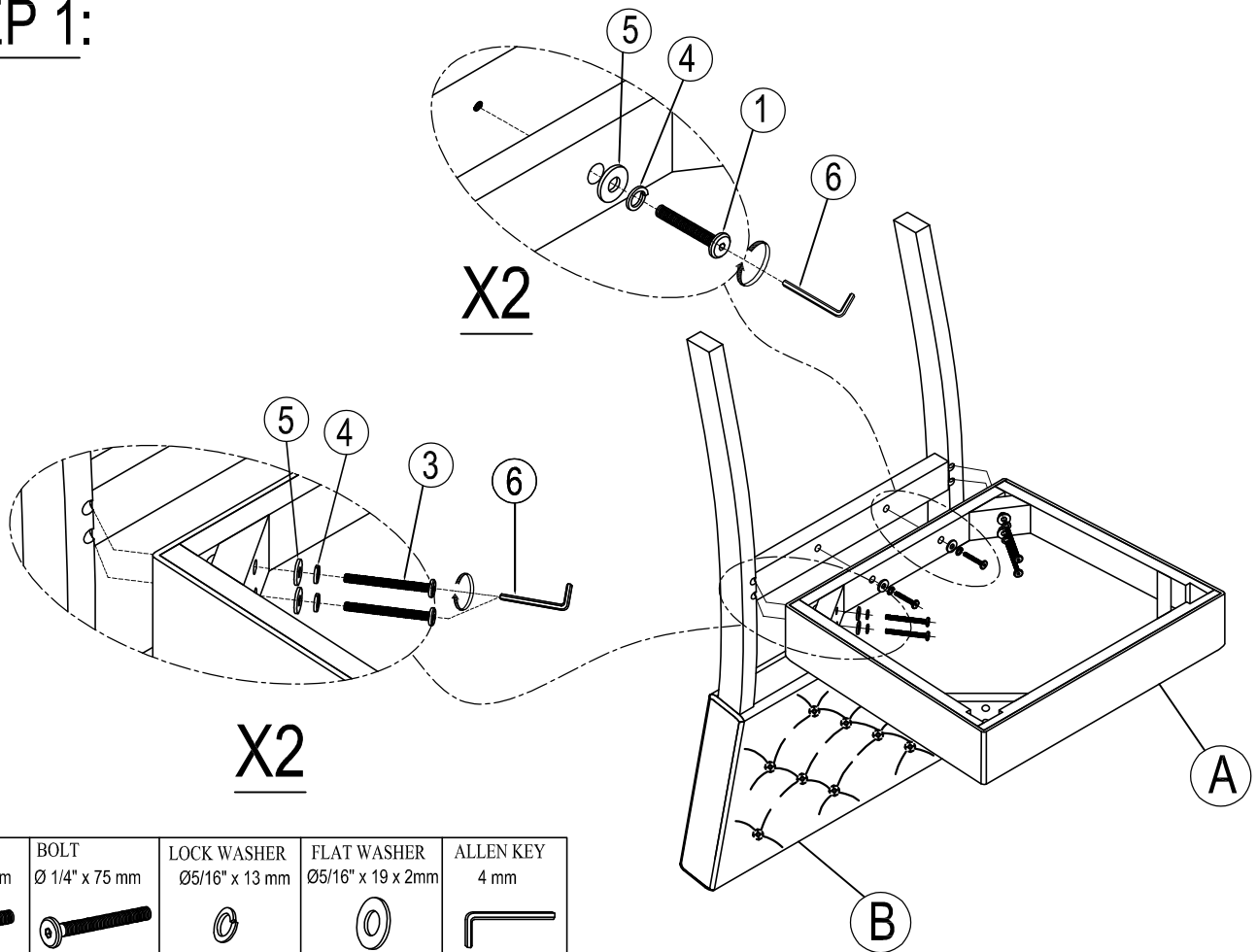
4mm






ALLEN KEY (1pc)

ASSEMBLY INSTRUCTION

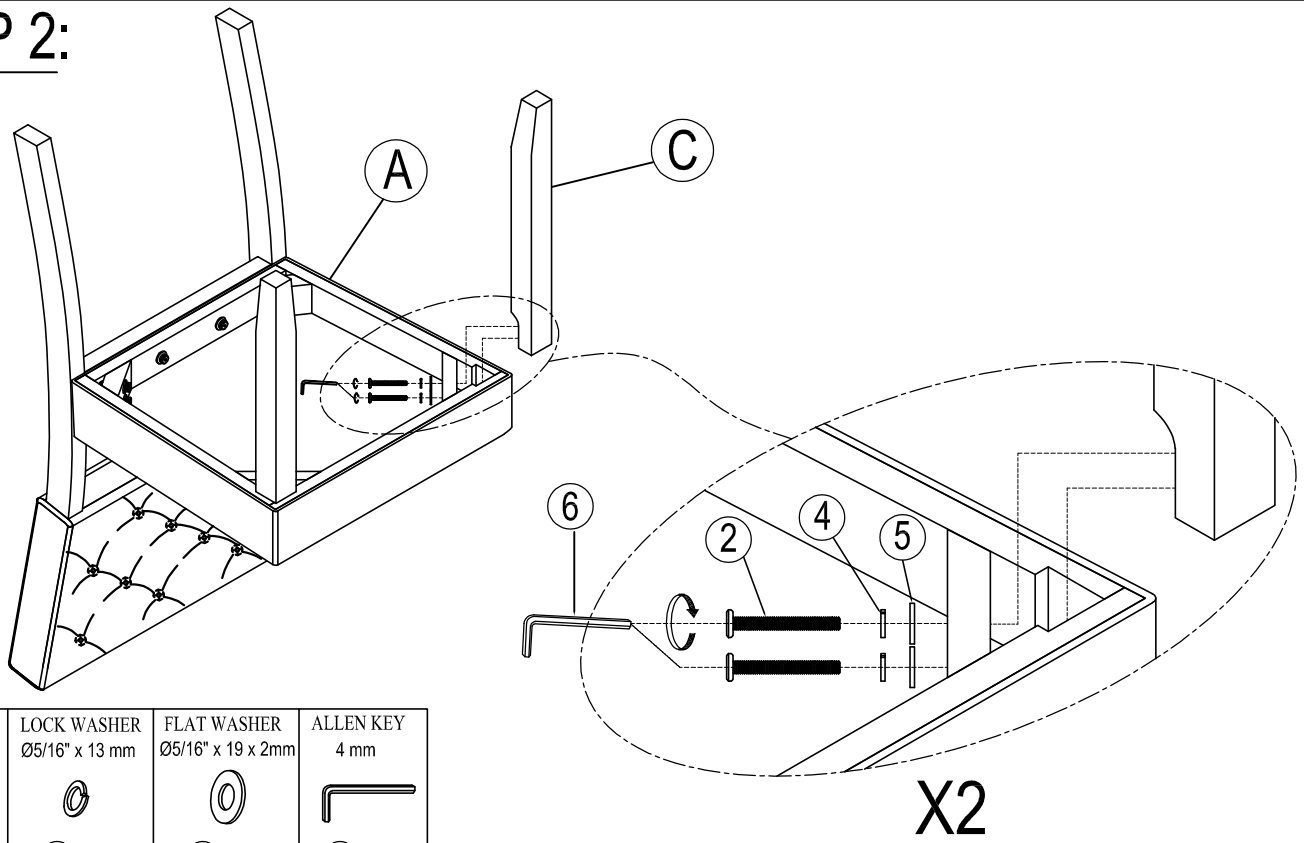
ITEM NO.N715P387013





STEP 1:



BOLT Ø 1/4" x 40 mm  ① x 4	BOLT Ø 1/4" x 75 mm  ③ x 8	LOCK WASHER Ø5/16" x 13 mm  ④ x 12	FLAT WASHER Ø5/16" x 19 x 2mm  ⑤ x 12	ALLEN KEY 4 mm  ⑥ x 1
---	--	--	---	---

STEP 2:

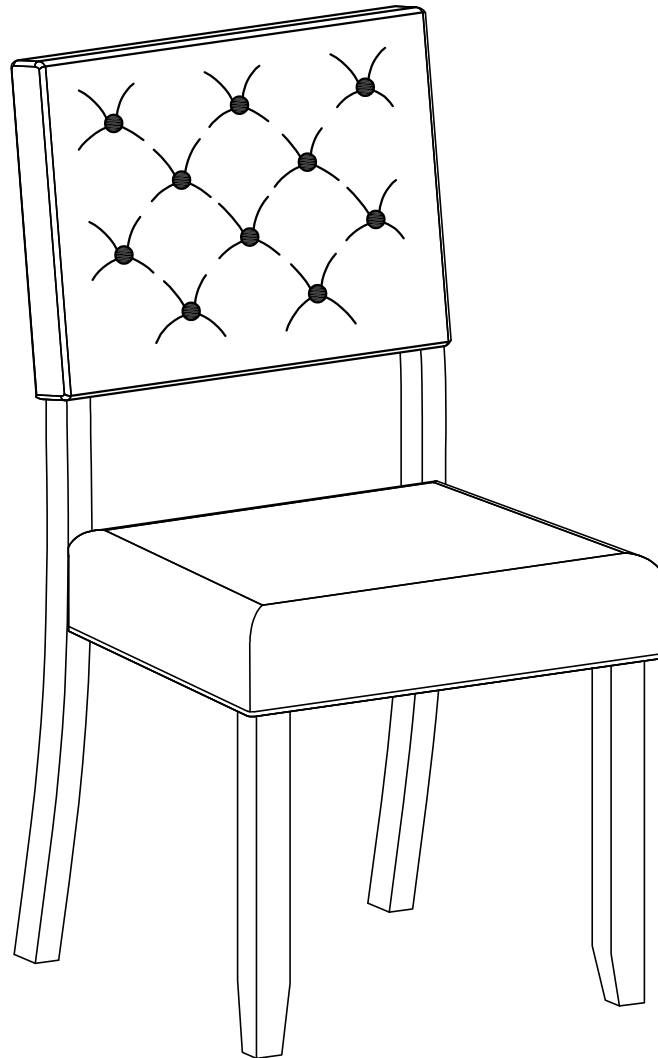


BOLT Ø 1/4" x 55 mm  ② x 8	LOCK WASHER Ø5/16" x 13 mm  ④ x 8	FLAT WASHER Ø5/16" x 19 x 2mm  ⑤ x 8	ALLEN KEY 4 mm  ⑥ x 1
---	---	--	---

ASSEMBLY INSTRUCTION

ITEM NO.N715P387013

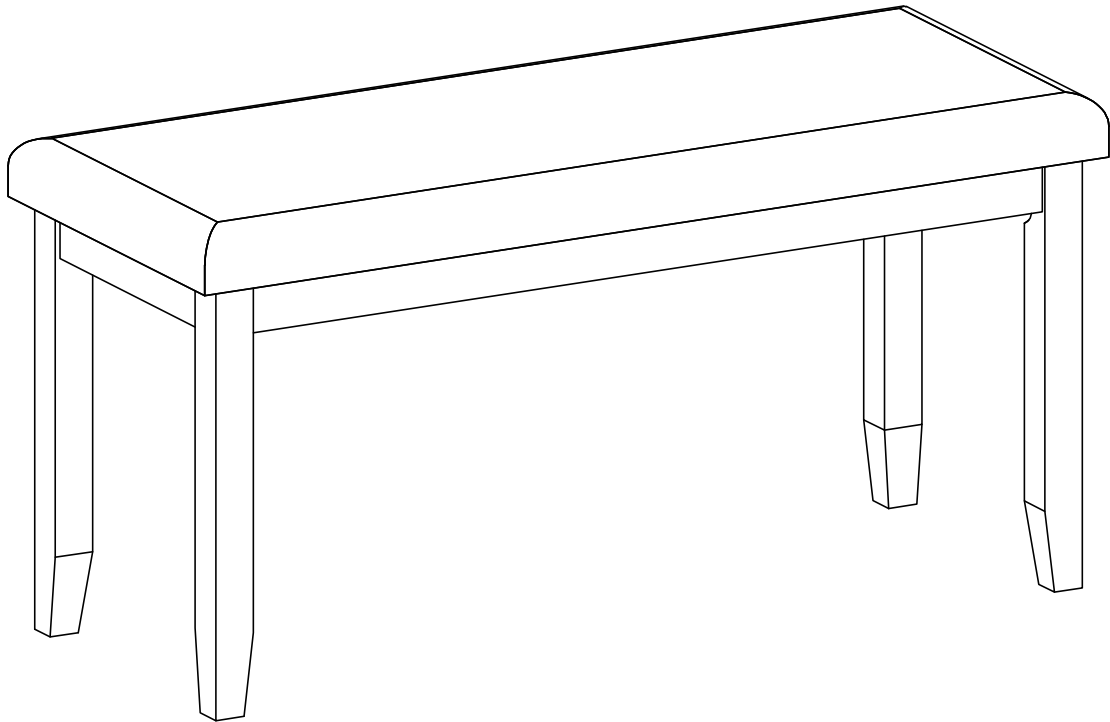
COMPLETE



ASSEMBLY INSTRUCTION

ITEM NO.N715P387013

Dining Bench



ASSEMBLY INSTRUCTION

ITEM NO.N715P387013

Please read these instructions fully before starting assembly:

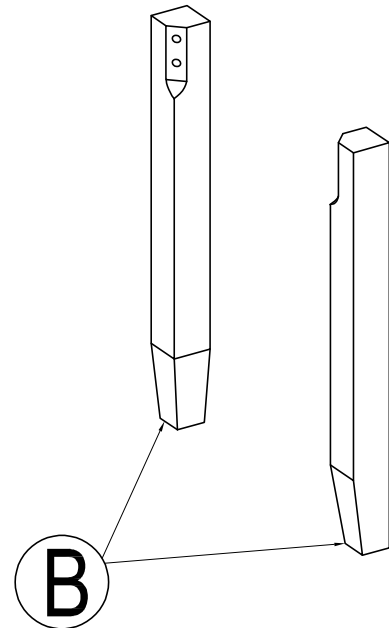
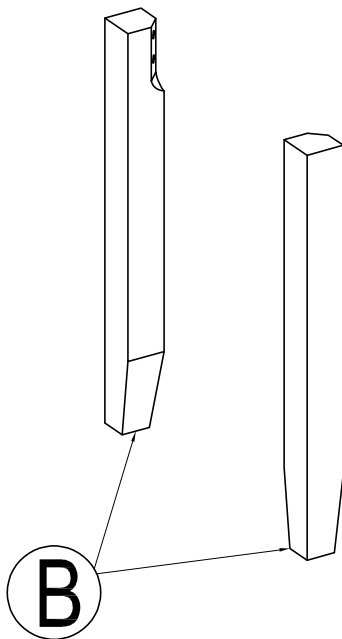
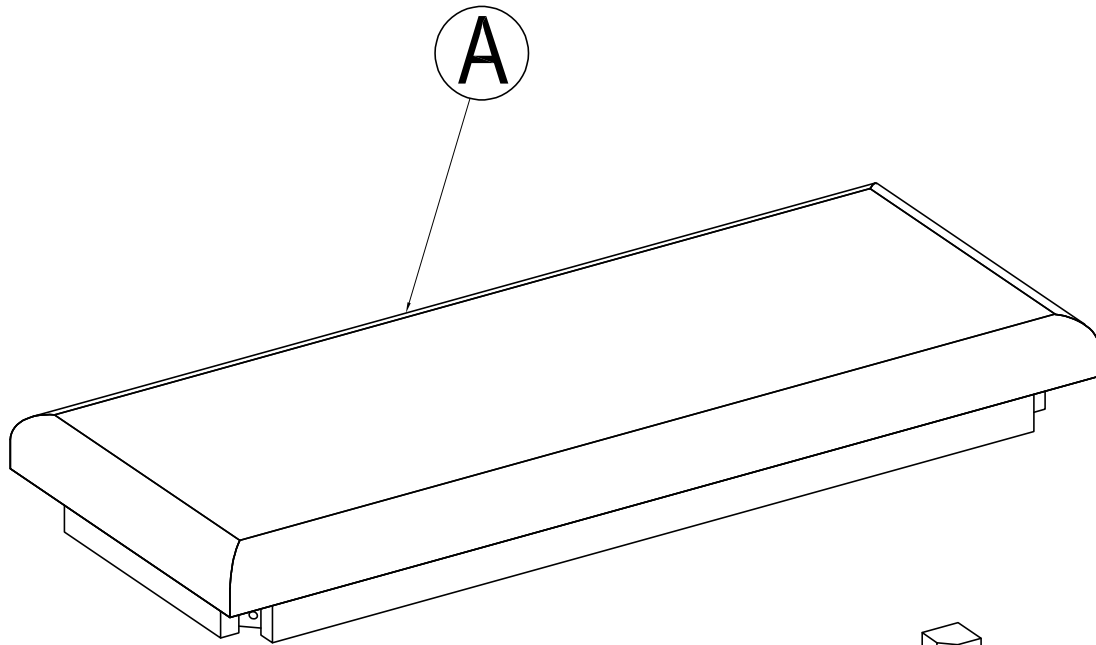
1. Place all wooden parts on a clean and smooth surface such as a rug or carpet to avoid scratching the parts.
2. Kindly follow the assembly instructions step by step.
3. Do not tighten all screws and bolts until the table is fully assembled.
4. Unscrew the protective plastique supports from the metal insert of the table legs before assembly.
5. Parts of the assembly will be easier with 2 people.

Care and maintenance:

Only clean using a damp cloth and mild detergent, do not use bleach or abrasive cleaners.

ASSEMBLY INSTRUCTION

ITEM NO.N715P387013

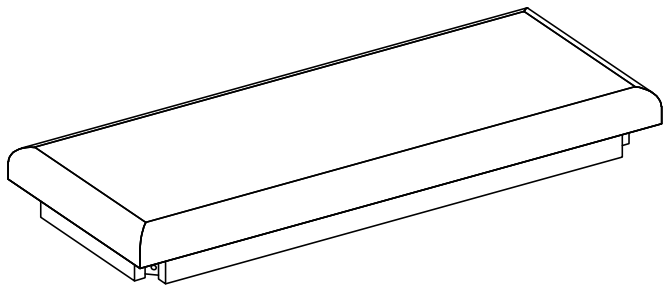


ASSEMBLY INSTRUCTION

ITEM NO.N715P387013

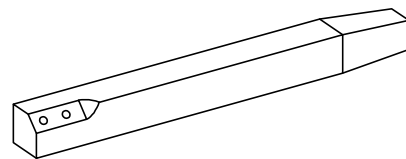
Part List For 1

Ⓐ



BENCH CUSHION SEAT (1 pc)

Ⓑ



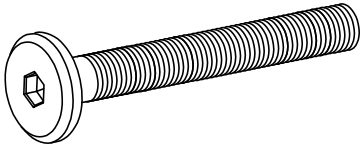
BENCH LEG (4 pcs)

ASSEMBLY INSTRUCTION

ITEM NO.N715P387013

Hardware List For 1

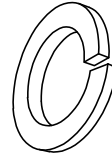
①



Ø 1/4" x 50mm

BOLT (8pcs)

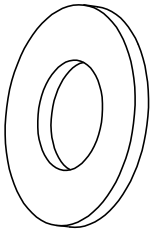
②



Ø5/16" x 13mm

LOCK WASHER (8 pcs)

③



Ø5/16" x 19 x 2mm

FLAT WASHER (8 pcs)

④



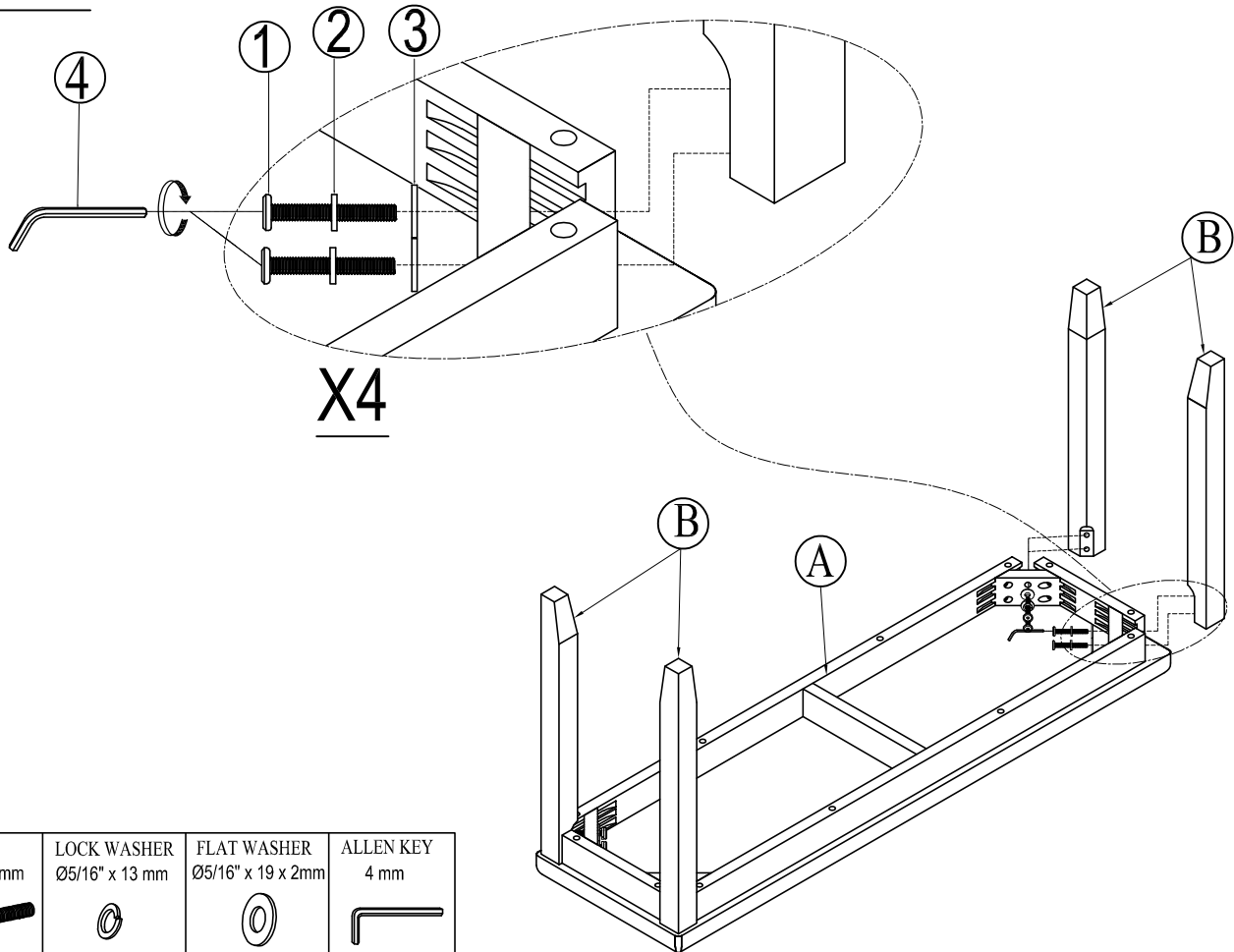
4mm





ALLEN KEY (1pc)

ASSEMBLY INSTRUCTION

ITEM NO.N715P387013

STEP 1:



BOLT Ø 1/4" x 50 mm	LOCK WASHER Ø5/16" x 13 mm	FLAT WASHER Ø5/16" x 19 x 2mm	ALLEN KEY 4 mm
			
① x 8	② x 8	③ x 8	④ x 1

COMPLETE

