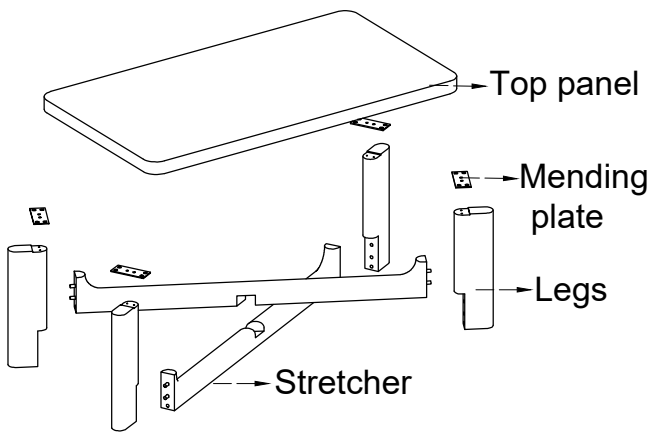
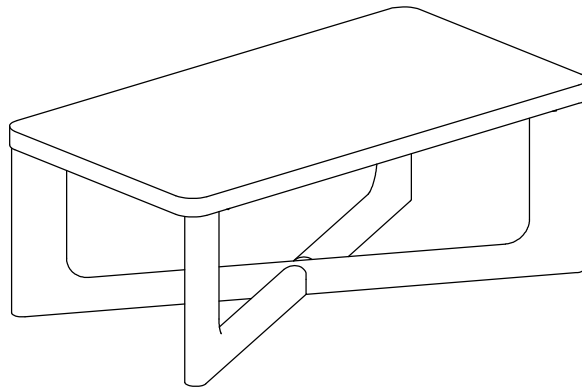
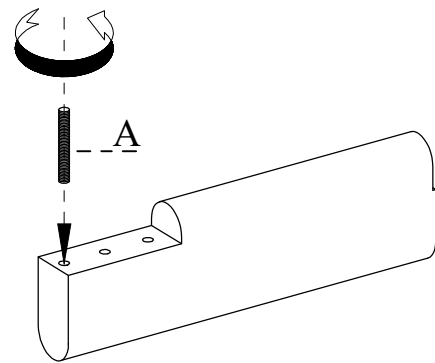


ASSEMBLY INSTRUCTIONS



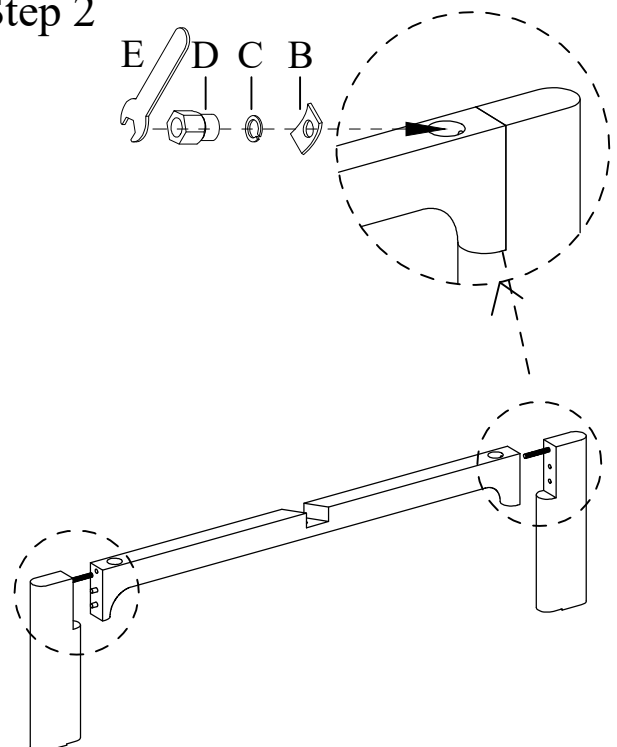
Step 1



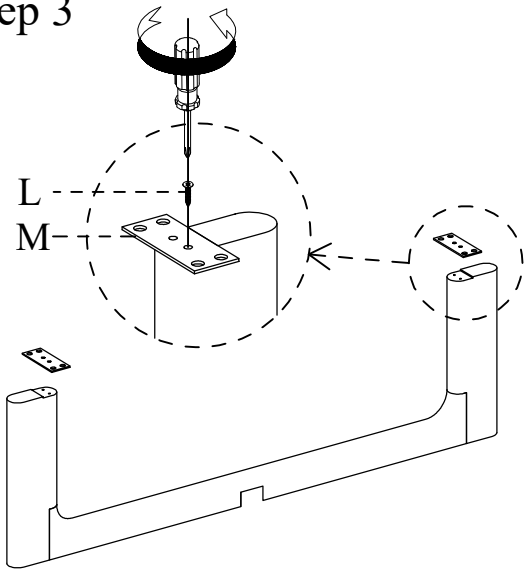
HARDWARE LIST

A		Threaded rod Ø5/16"x3-1/2"	4pcs
B		Half moon washer Ø5/16"	4pcs
C		Spring Washer Ø5/16"	21pcs
D		Nut Ø5/16"*M12	4pcs
E		Wrench M12	1pc
F		Bolt Ø5/16"*1-1/4"	1pc
G		Bolt Ø5/16"*3/4"	16pcs
H		Flat Washer Ø5/16"*Ø5/8"	17pcs
K		Allen Wrench (5mm)	1pc
L		Screw	8pcs
M		Mending plate	4pcs

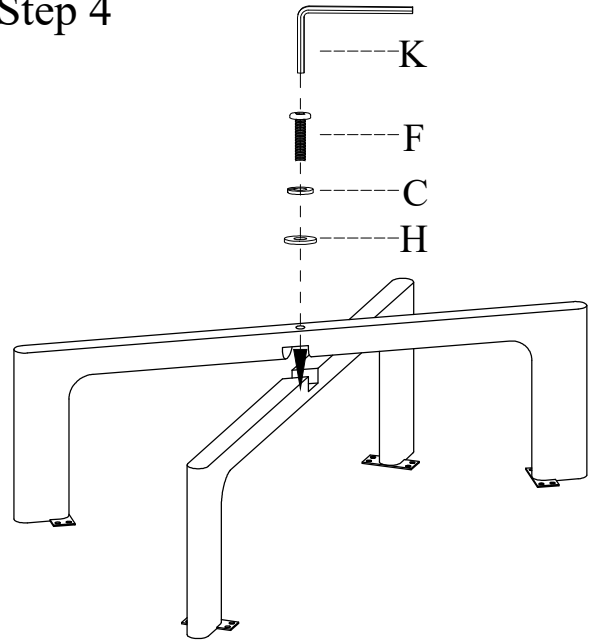
Step 2



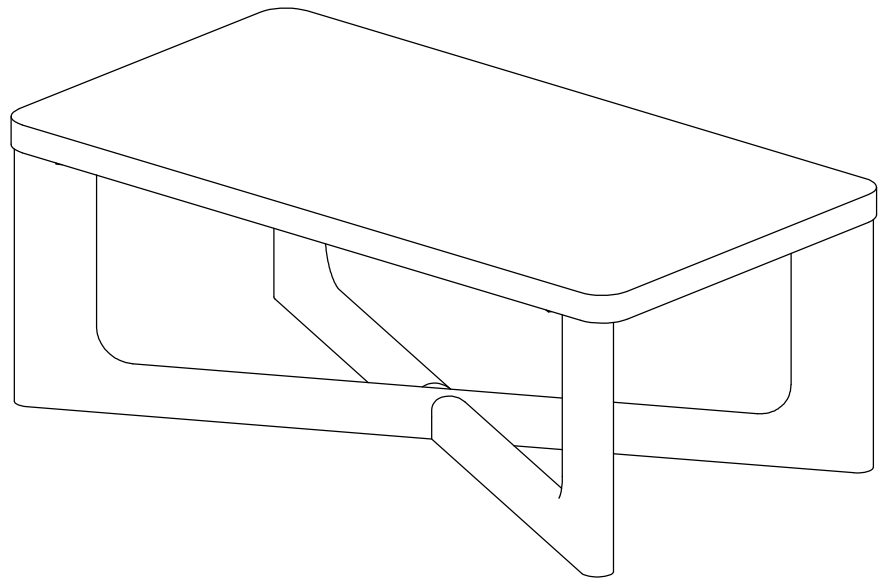
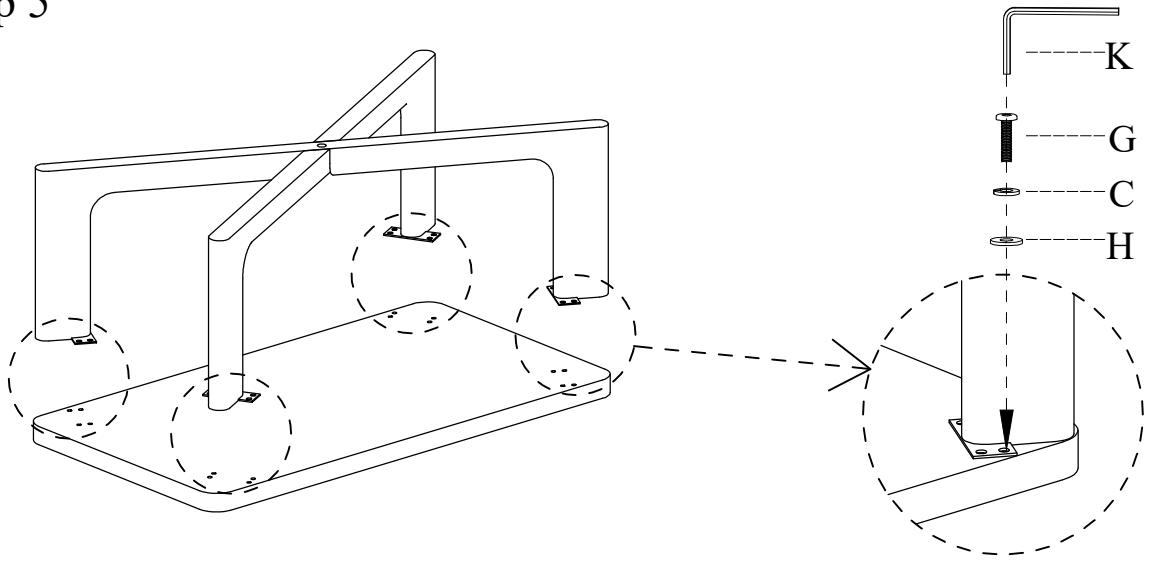
Step 3



Step 4



Step 5



OK