

CAT WASHROOM BENCH

Please check contents before assembly. If any items are missing or damaged, Do not take unit back to store. Call customer service and we will save you the time by correcting the problems directly.

COMPONENTS

NO.	DESCRIPTION		QTY	NO.	DESCRIPTION		QTY
A1	Top Panel		1	C2	Side Panel		1
A2	Bottom Board		1	C3	Divider		1
B	Back Panel		1	D1	Left Door		1
C1	Side Panel		1	D2	Right Door		1

HARDWARE

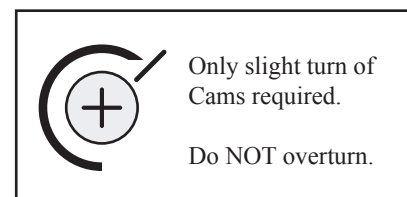
i	Cam		18	L	Cover		18
J	Locking Bolt		18	M	Screw		8
K	Wooden Dowel		16				

NOTE:

- * Read all instructions before starting
- * Assemble on rug or cardboard to prevent scratches to the floor and product.
- * To ensure proper assembly we have included the following guides:



Reference this guide when assembling all Locking Bolts .

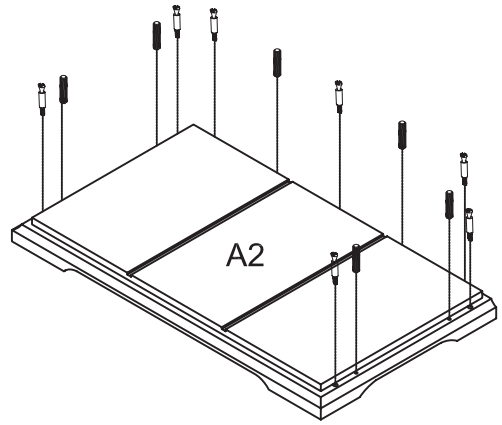


Reference this guide when assembling all Cam Locks

STEP 1



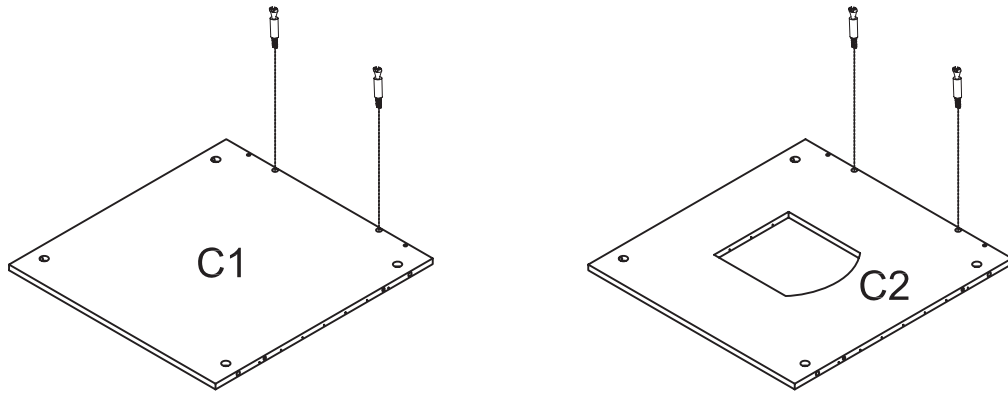
Insert 7 Locking bolt (J) and 6 Wooden Dowels (K) into Bottom Board (A2)



K - Wooden Dowel (x6)

STEP 2

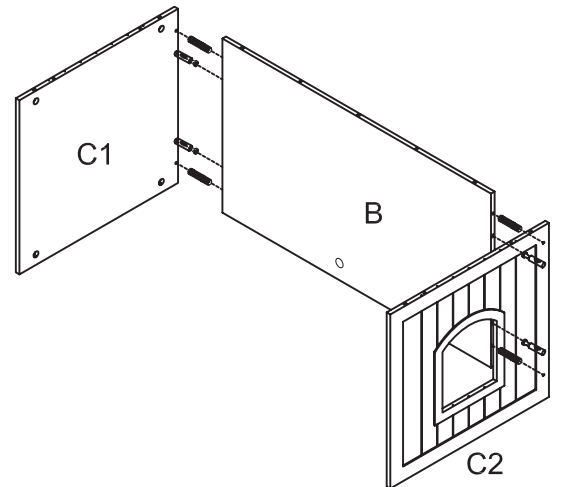
Insert 4 Locking Bolts (J) into side panels (C1, C2) as shown below. (2 on each panel)



J - Locking bolt (x4)

STEP 3

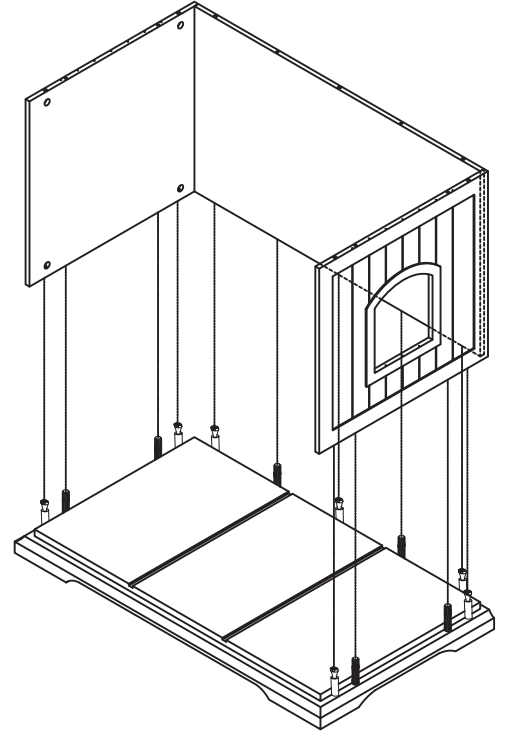
Insert 4 Wooden Dowels (K) to connect Back Panel (B) to Side Panels C1, C2.



K - Wooden Dowel (x4)

STEP 4

With the help of another adult, carefully lower Back Panel B and sides C1 and C2 onto Bottom Board A2.



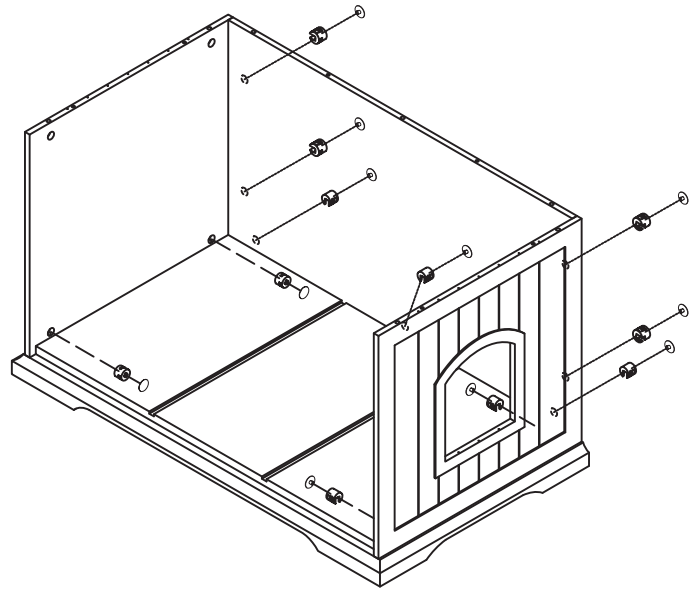
STEP 5

Insert and tighten 11 Cams (I) being careful not to overturn. Apply 11 Covers (L) to installed Cams

I - Cam (x11)



L - Cover (x11)



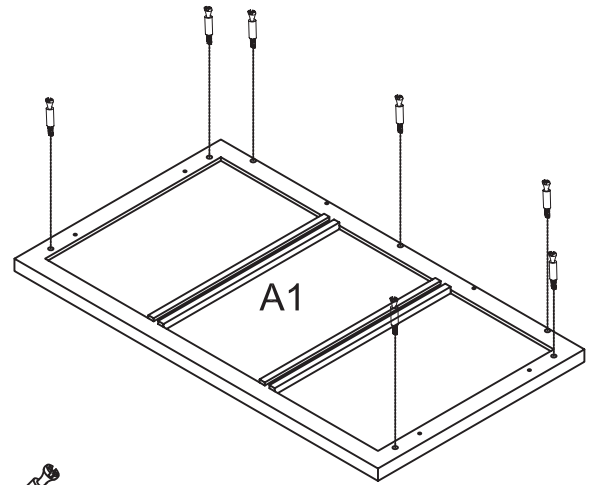
Only slight turn of
Cams required.

Do NOT overturn.

STEP 6



Insert 7 Locking Bolts (J) into Top Panel A1



J - Locking Bolt (x7)



STEP 7

Insert 6 Wooden Dowels (K) into Top Panel (A1) and carefully lower onto assembled bench base.

Insert 7 Cams (I) and tighten carefully.

Place Covers (L) over installed Cams

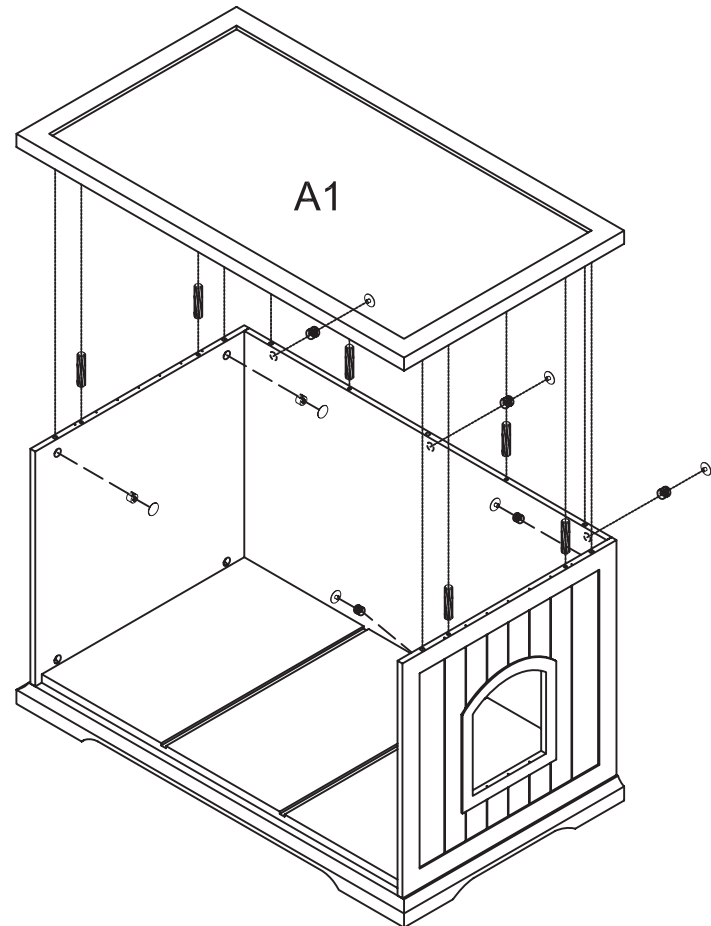
K - Wooden Dowel (x 6)



I - Cam (x7)



L - Cover (x7)

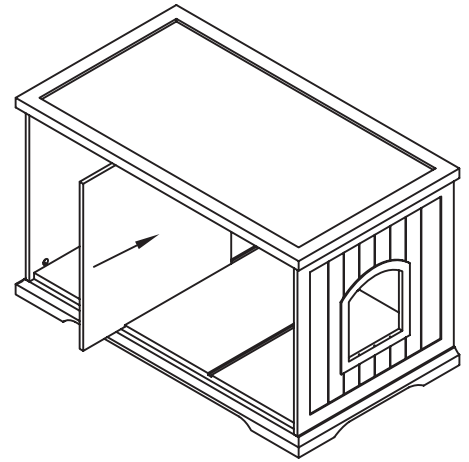


Only slight turn of Cams required.

Do NOT overturn.

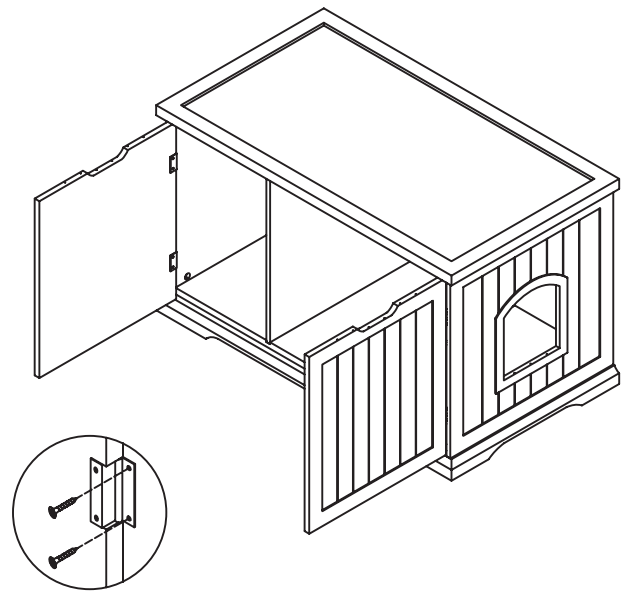
STEP 8

Slide Divider (C3) into desired location.



STEP 9

Attach Left Door (D1) and Right Door (D2) using 8 Screws (M) onto the pre drilled holes.



CARE INSTRUCTIONS

Thank you for choosing our PET HOUSES AND PET BEDS. With little care and maintenance, our PET HOUSES AND PET BEDS will provide your pet with comfort and enjoyment for many years to come!

- To clean panels, use clean water on a damp cloth.
- When assembling our PET HOUSES AND PET BEDS, please handle all panels and/or hardware with care to avoid any possibilities of damages and/or injuries.