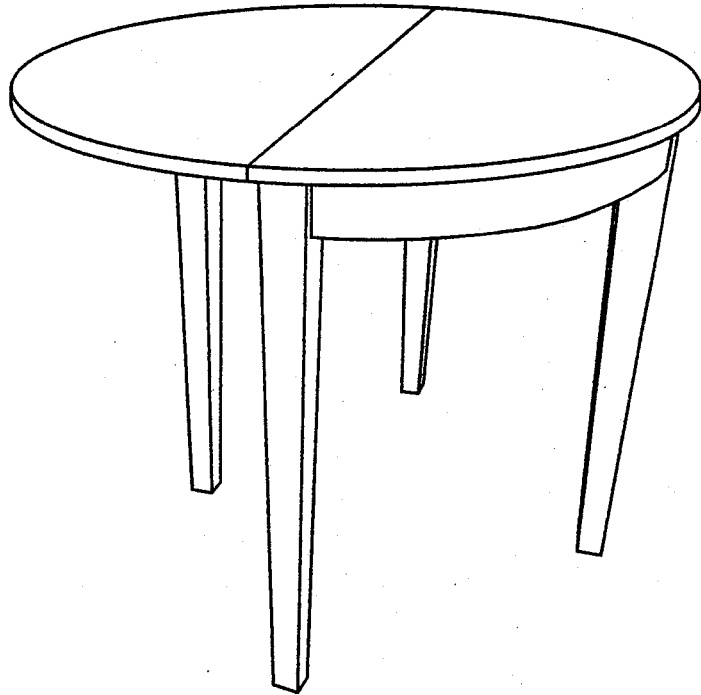


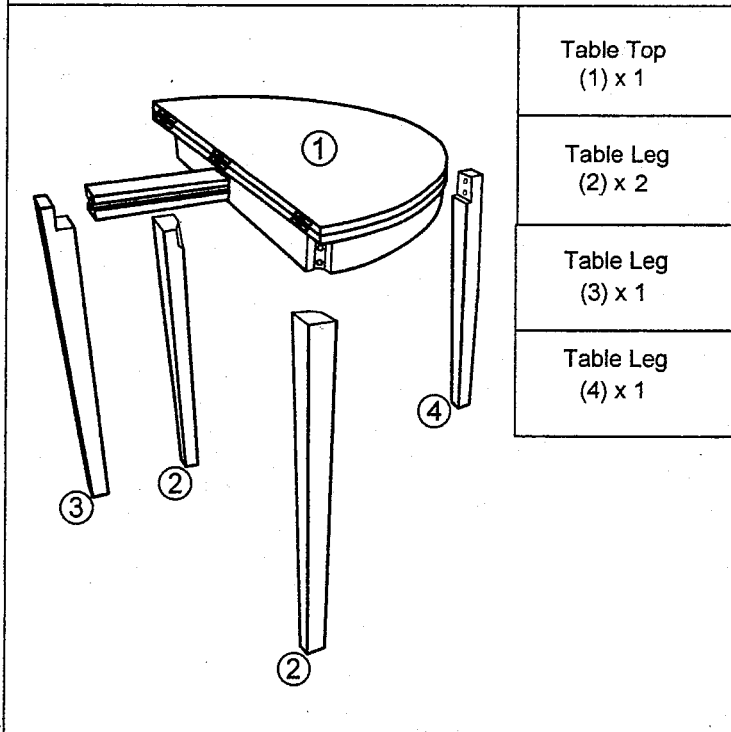
ASSEMBLY INSTRUCTIONS

**IMPORTANT – Please read these instructions fully before starting assembly
Please keep for future reference**



DO NOT USE

List of Parts



List of Hardware

JCBB(M8x60)(A) x 4 + 1 Extra	Spring Washer (B) x 6 + 1 Extra
Flat Washer (C) x 6 + 1 Extra	Allen Key (D) x1
JCBB(M8x50)(E) x 2 + 1 Extra	JCBB(M8x40)(F) x 2 + 1 Extra