

Single draw wardrobe

# THINGS TO NOTE



## TIPS:

1. After receiving the product, please check the product in the package to make sure you have received all the accessories. If the product is damaged, accessories are missing, or you have questions about the installation steps, please contact us immediately. We promise to get back to you within 24 hours and are dedicated to solving your problems. We value your feedback and are willing to provide the support needed to ensure your satisfaction and smooth use of the product.

---
2. Please be sure to follow the installation sequence in the instructions, otherwise the product installation may fail. We recommend that you read the instructions carefully and follow each step to ensure a smooth installation.

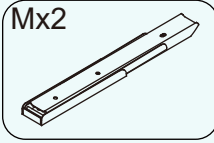
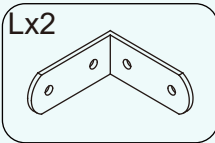
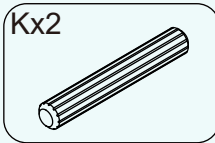
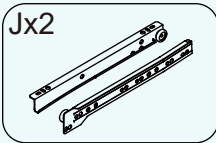
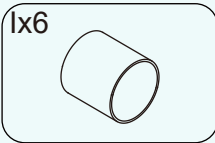
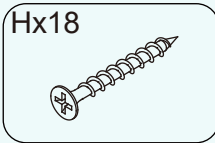
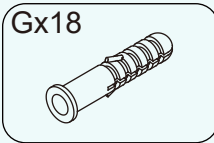
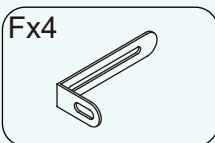
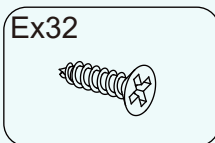
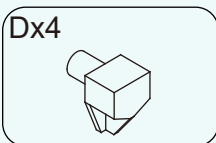
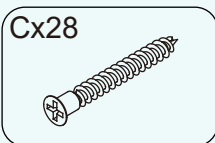
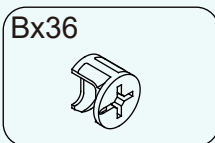
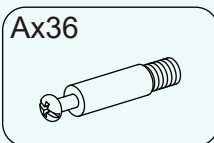
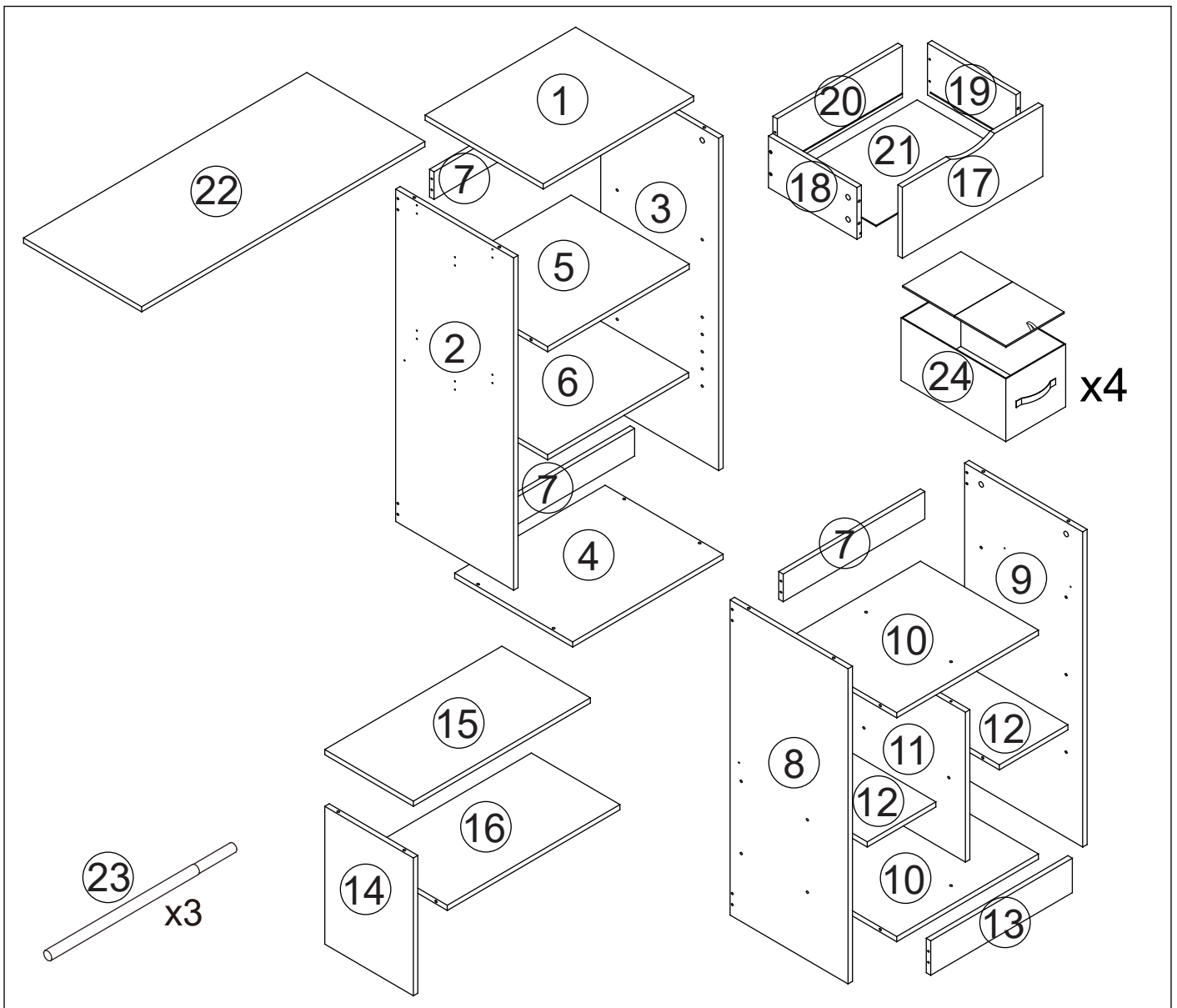
---
3. We strongly recommend that two people work together during the installation process to ensure safety and efficiency. Assembling a closet organizer system typically involves heavy components and intricate steps, and having two people collaborate can significantly reduce the risk of accidents and assembly errors.  
If you encounter any questions or difficulties during the installation of the closet organizer system, please do not hesitate to contact our customer service team immediately.

---
4. The closet organizer system is designed for indoor use only.

---
5. Assembly of the closet organizer system should be done by competent adults. Both the mounting of the hanging rod and the fastening of the closet require drilling holes in the wall.

---

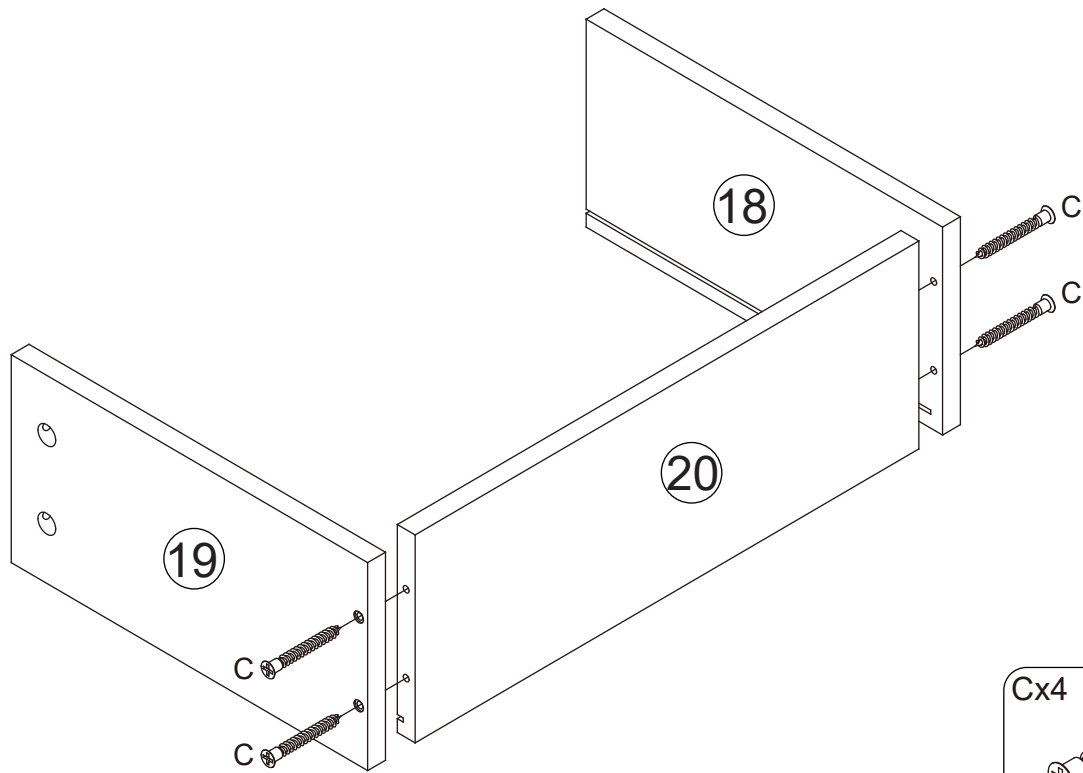
# PARTS LIST



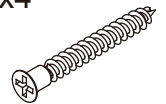
**Note:** Part I is on metal rod number 23!

# INSTALLATION STEPS

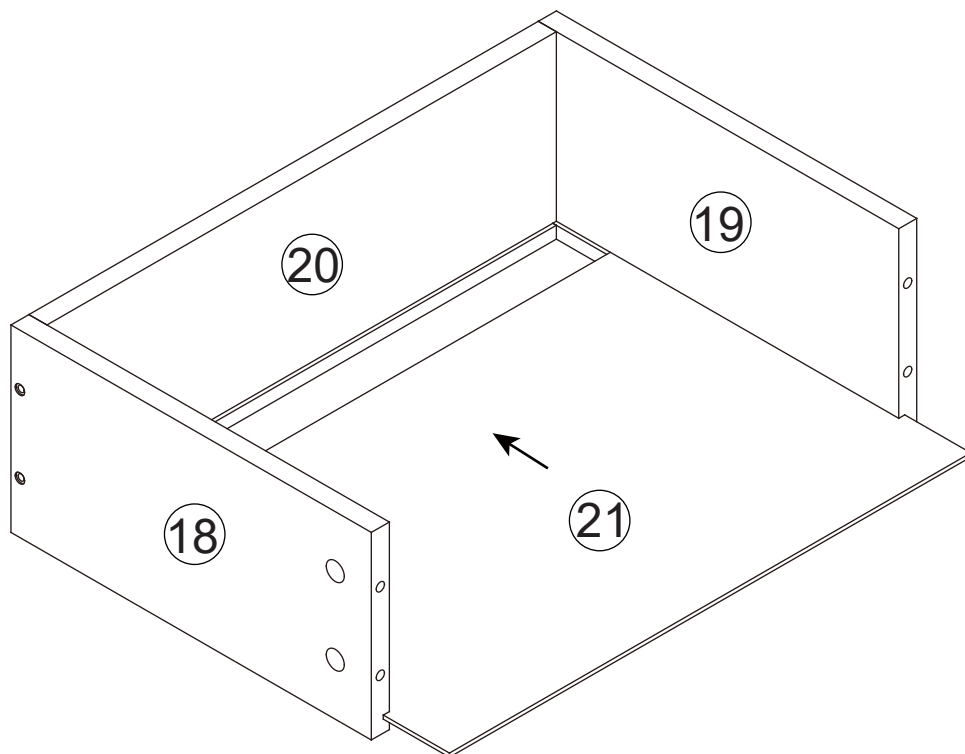
## STEP 1



Cx4

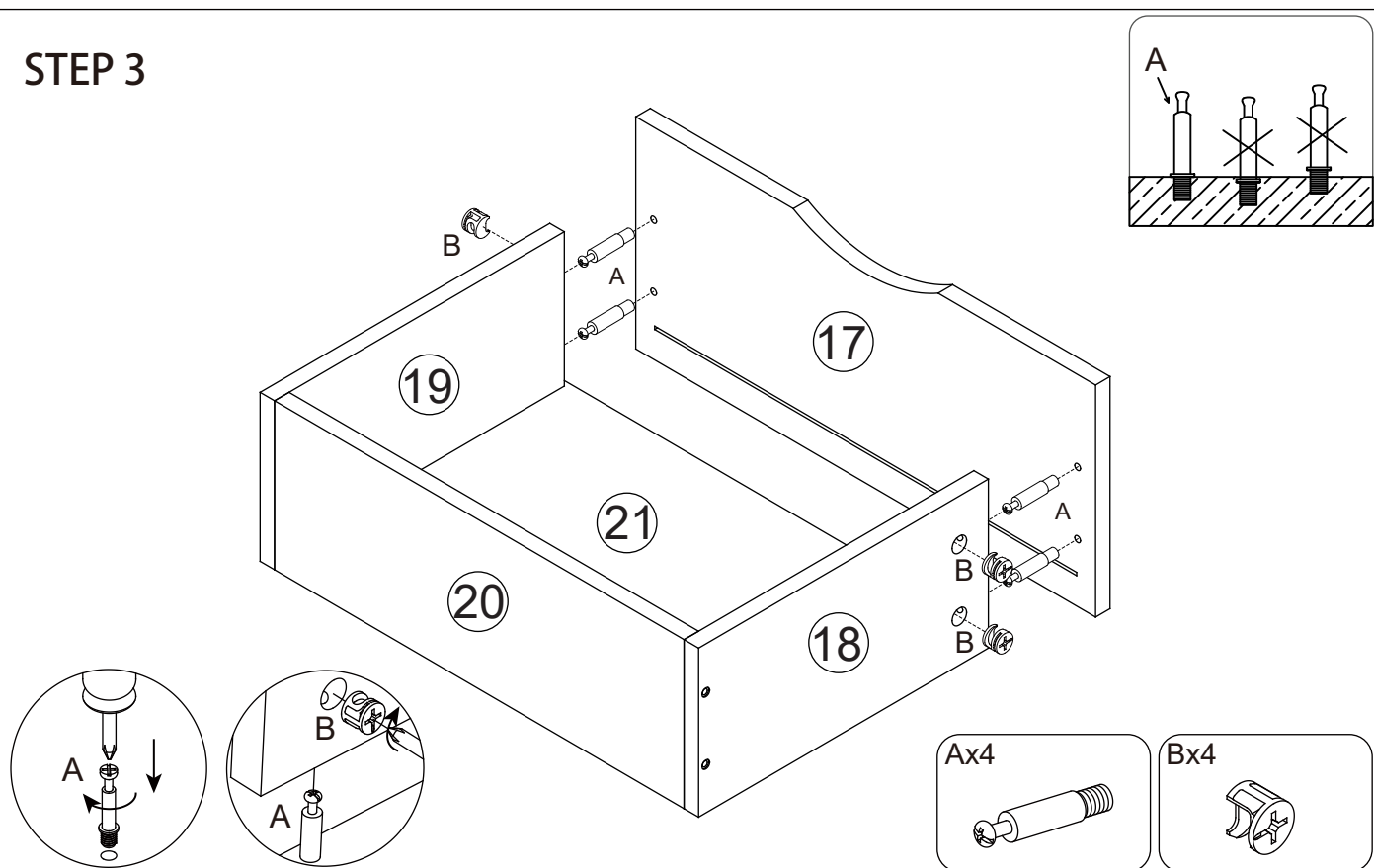


## STEP 2

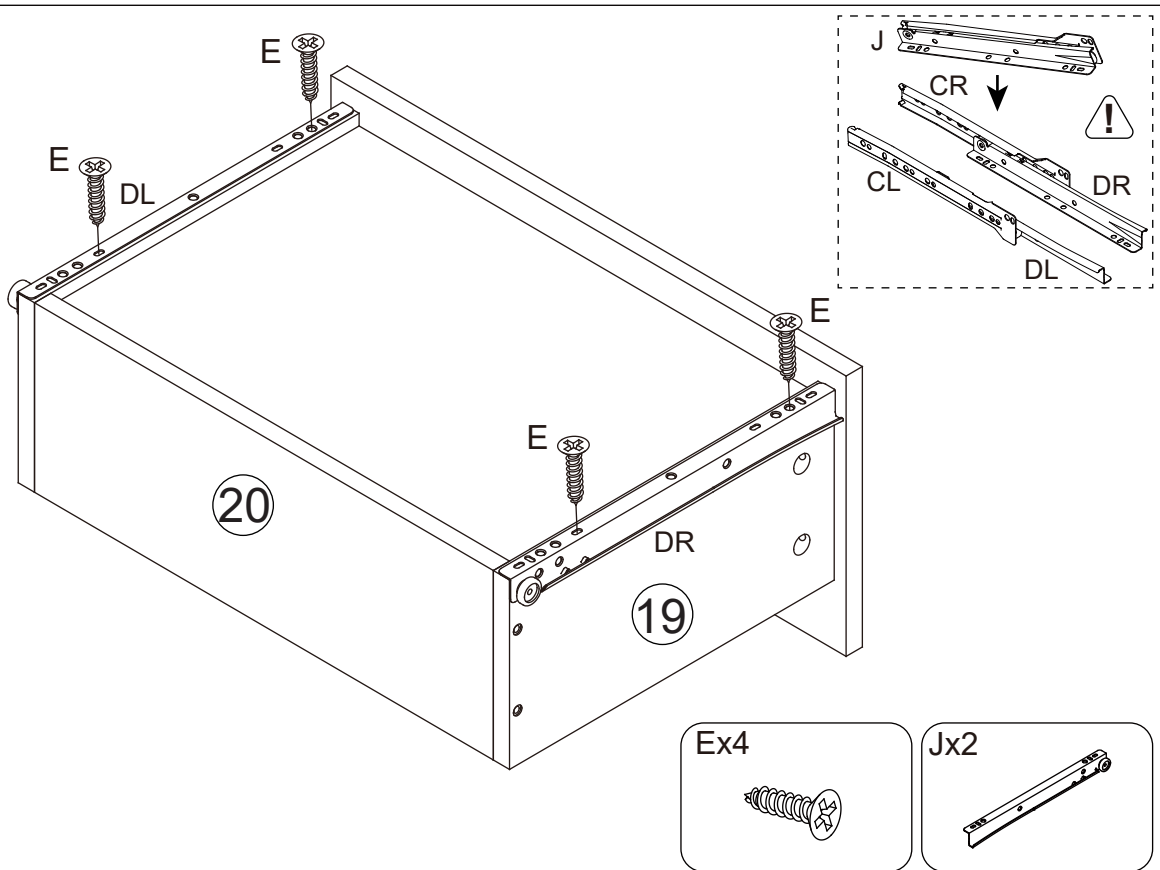


# INSTALLATION STEPS

## STEP 3

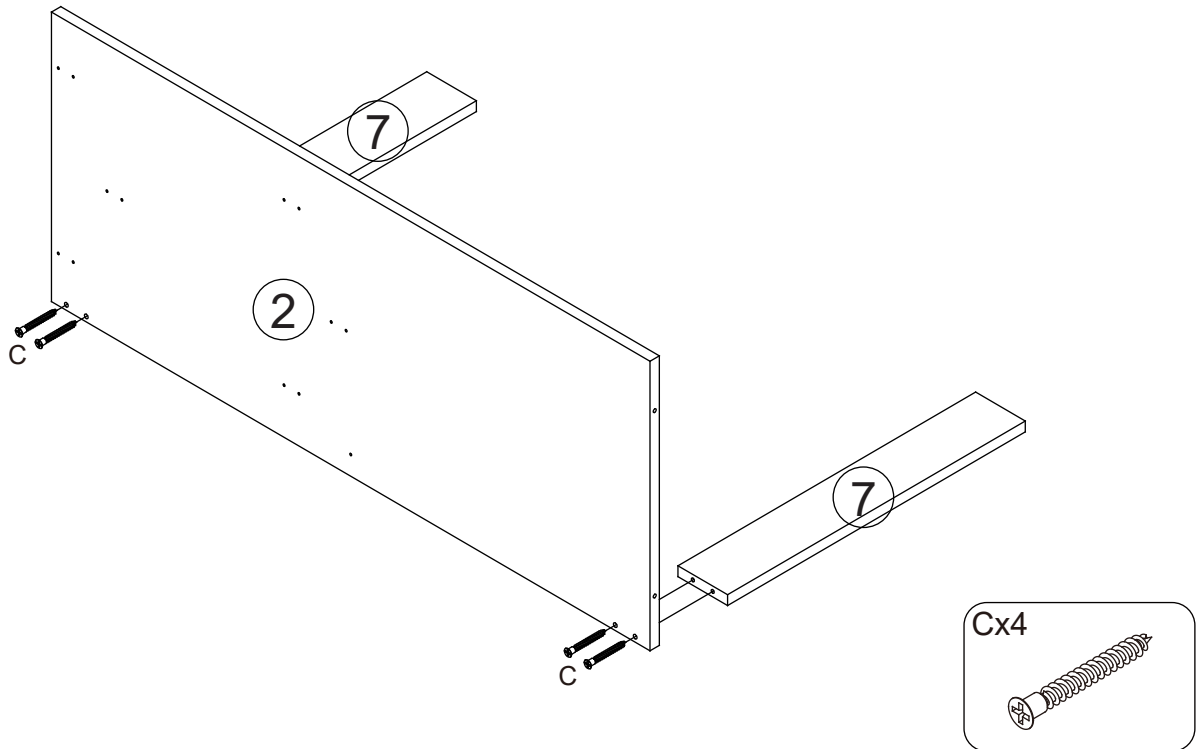


## STEP 4

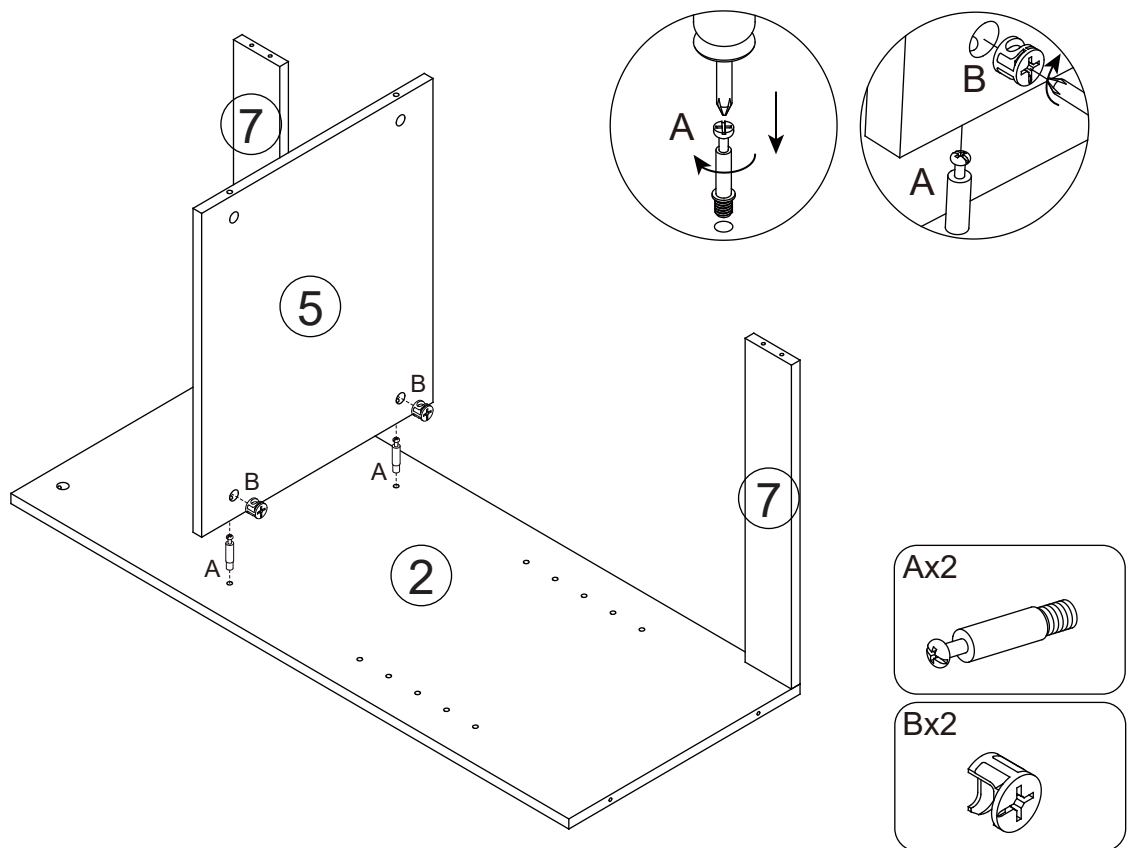


# INSTALLATION STEPS

## STEP 5

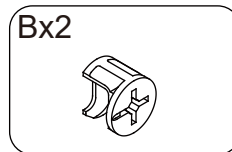
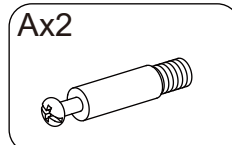
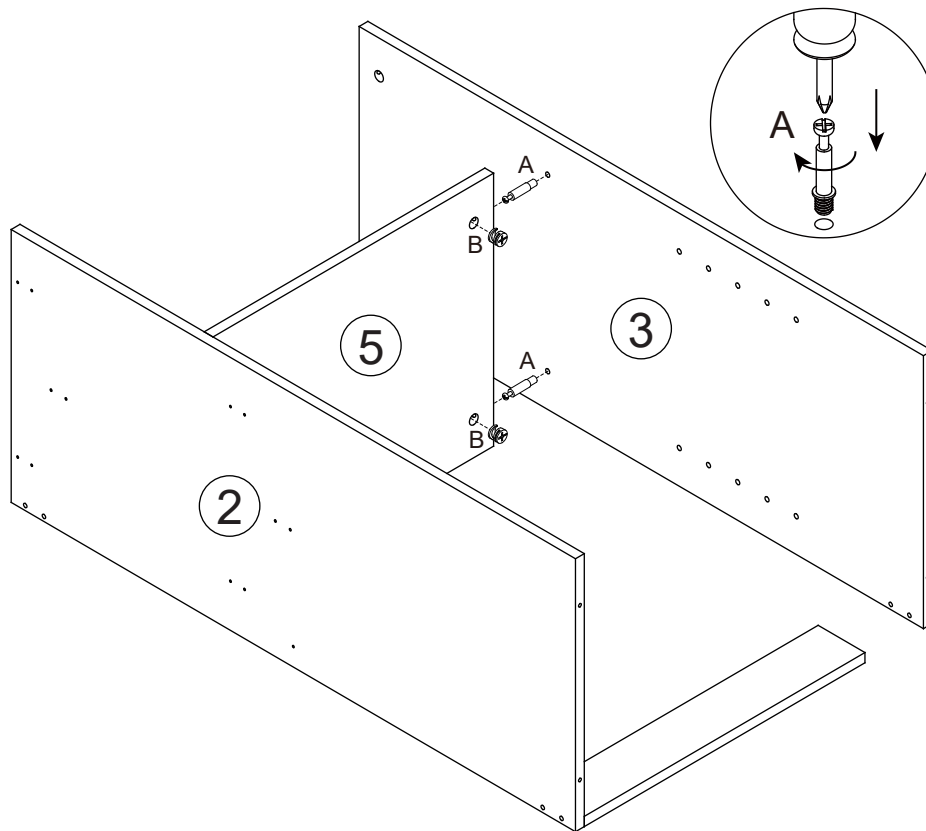


## STEP 6

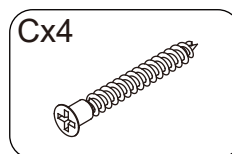
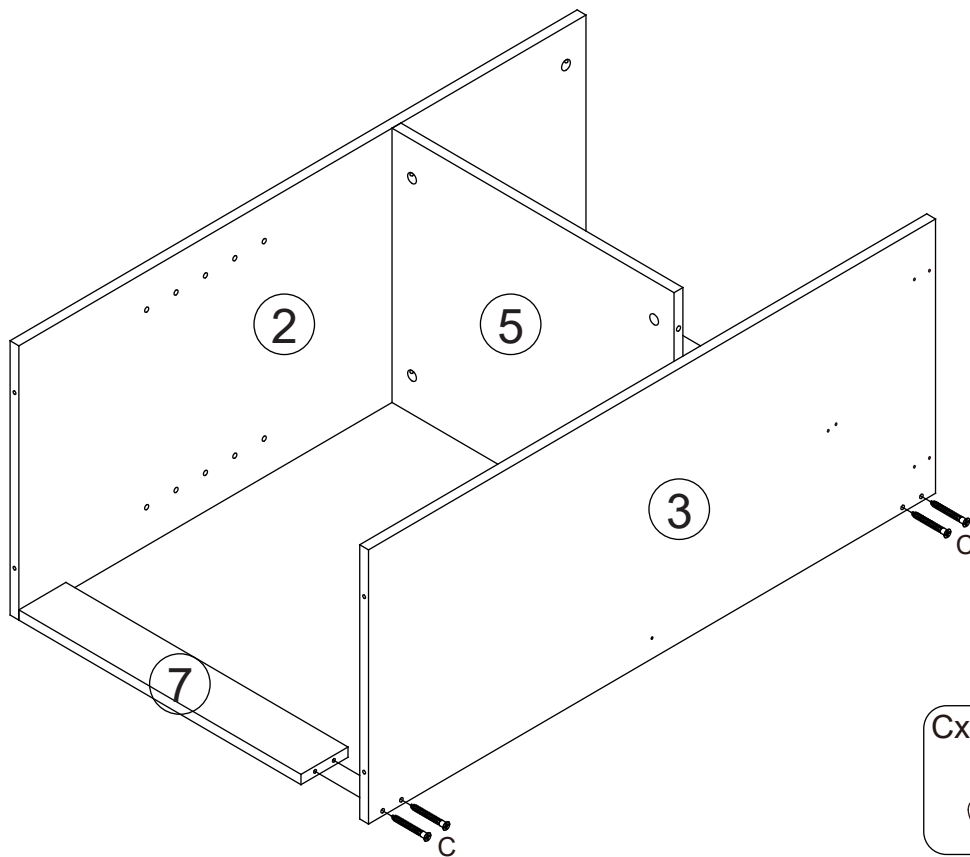


# INSTALLATION STEPS

## STEP 7

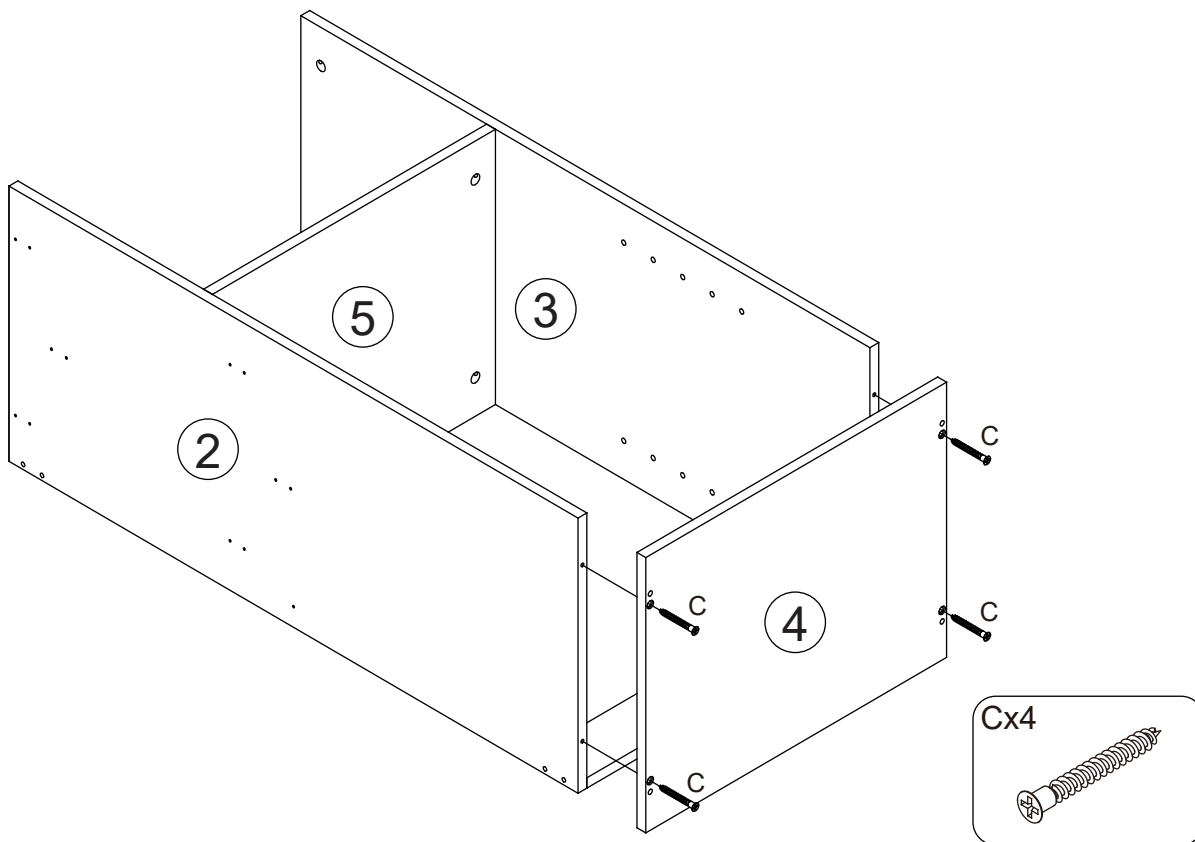


## STEP 8

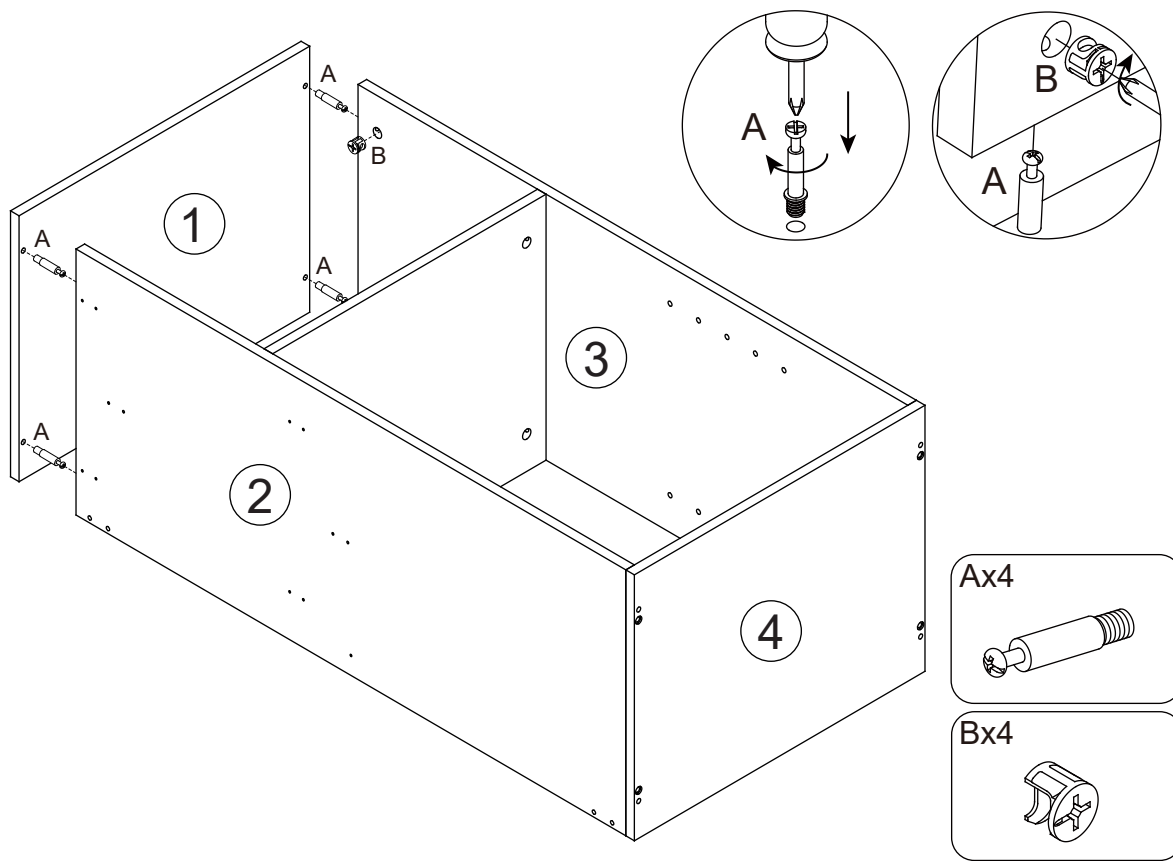


# INSTALLATION STEPS

## STEP 9

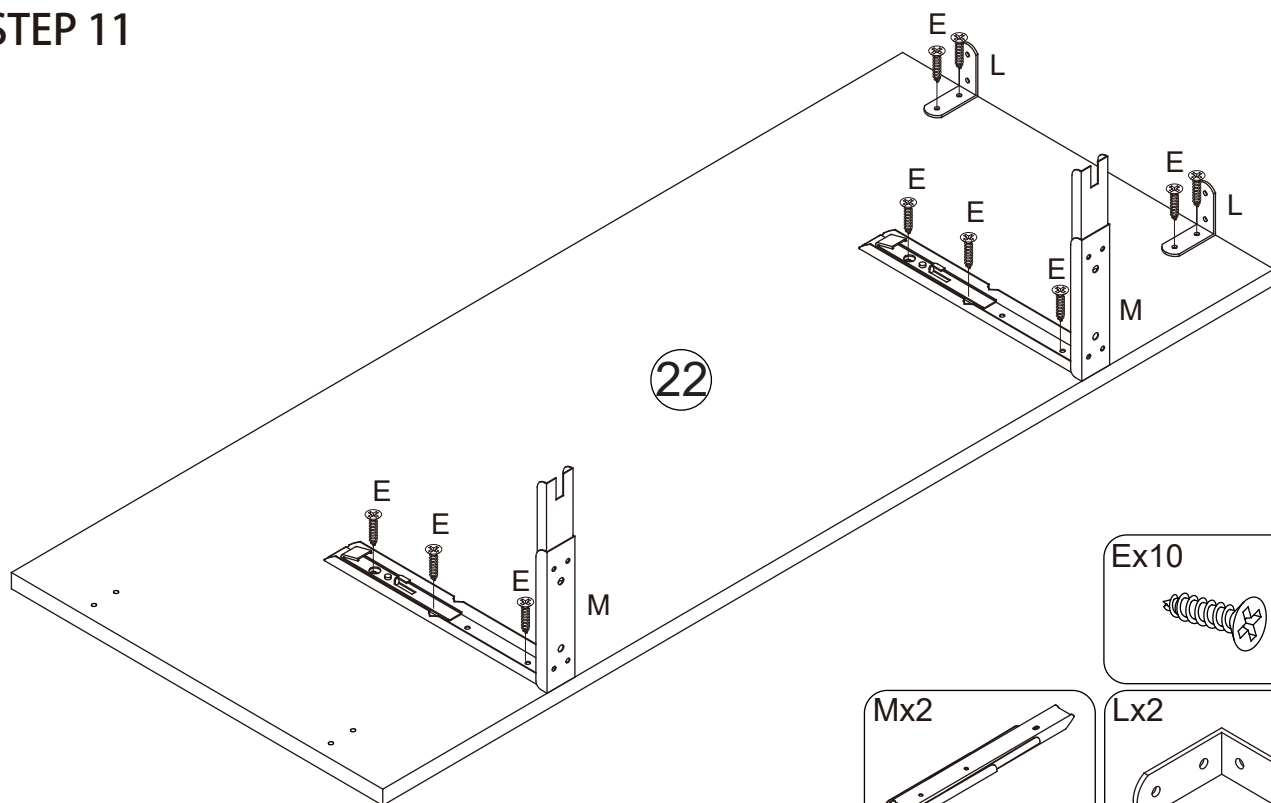


## STEP 10

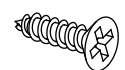


# INSTALLATION STEPS

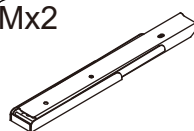
## STEP 11



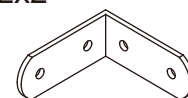
Ex10



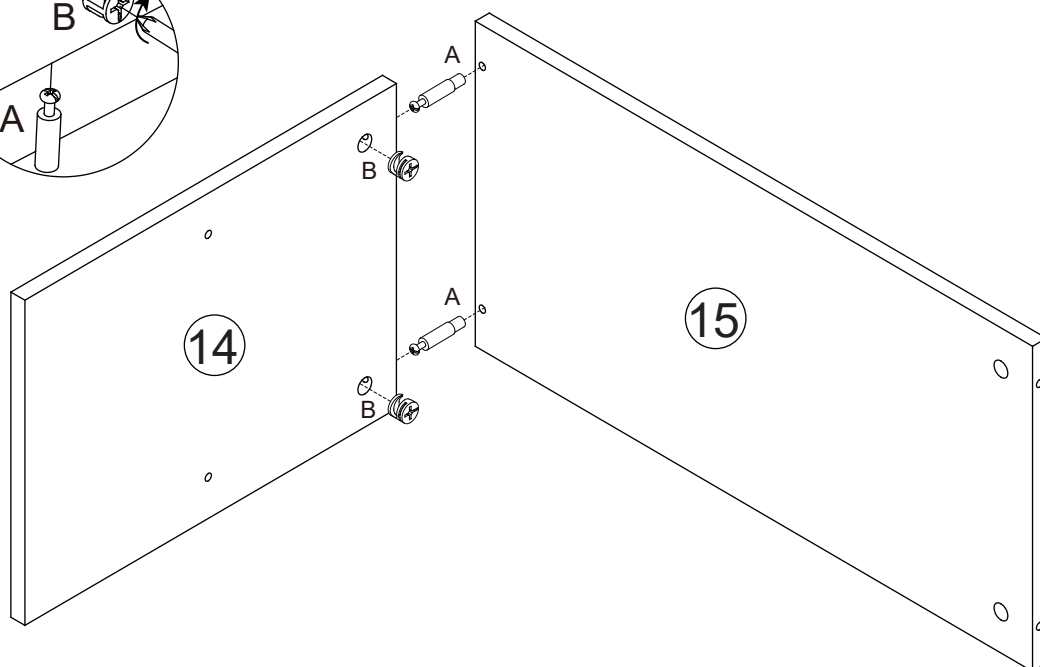
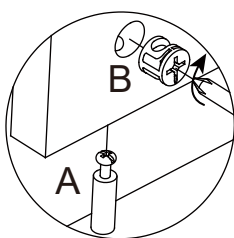
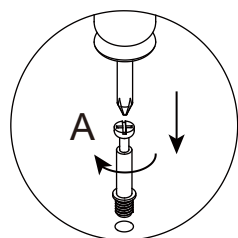
Mx2



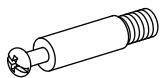
Lx2



## STEP 12



Ax2

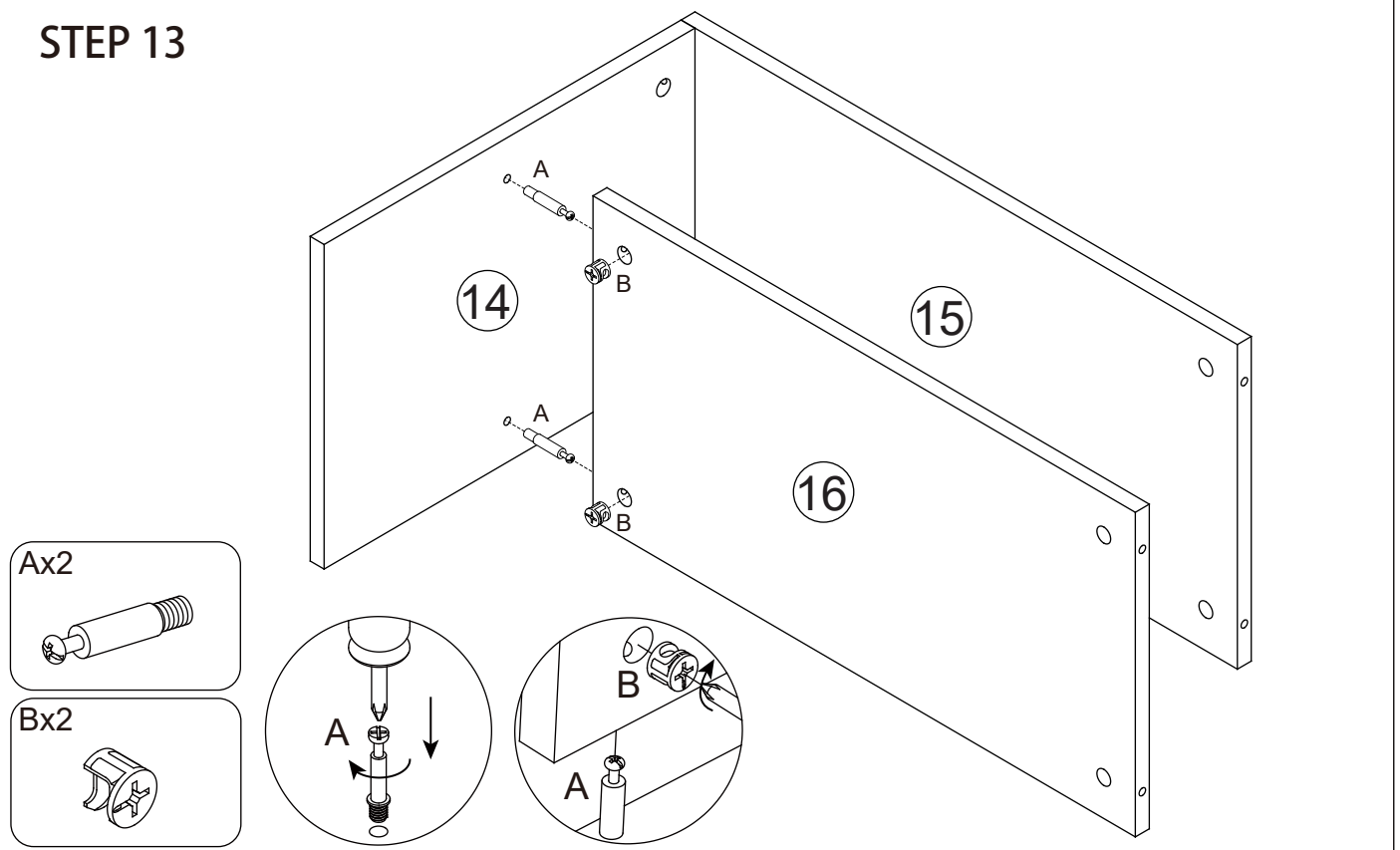


Bx2

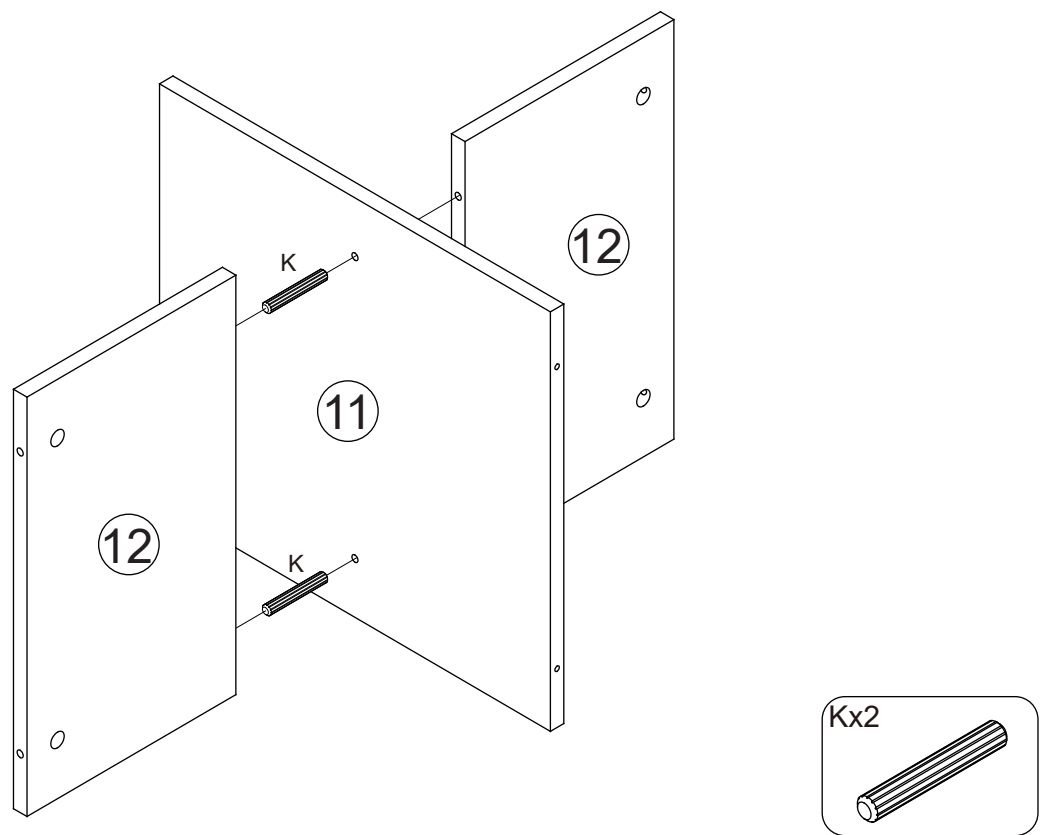


# INSTALLATION STEPS

## STEP 13

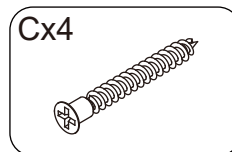
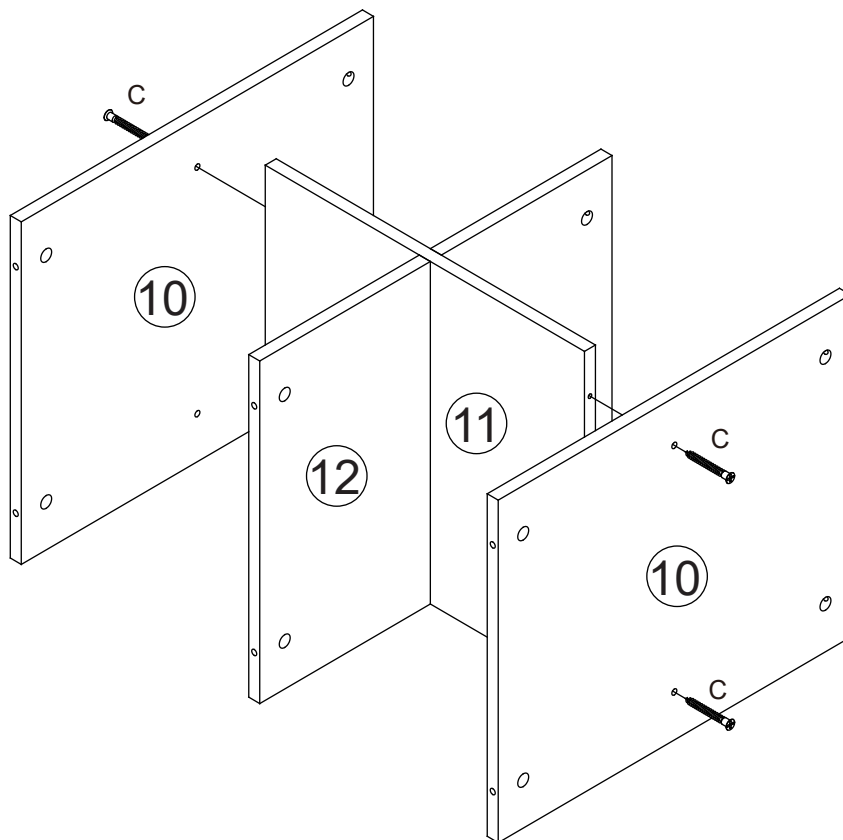


## STEP 14

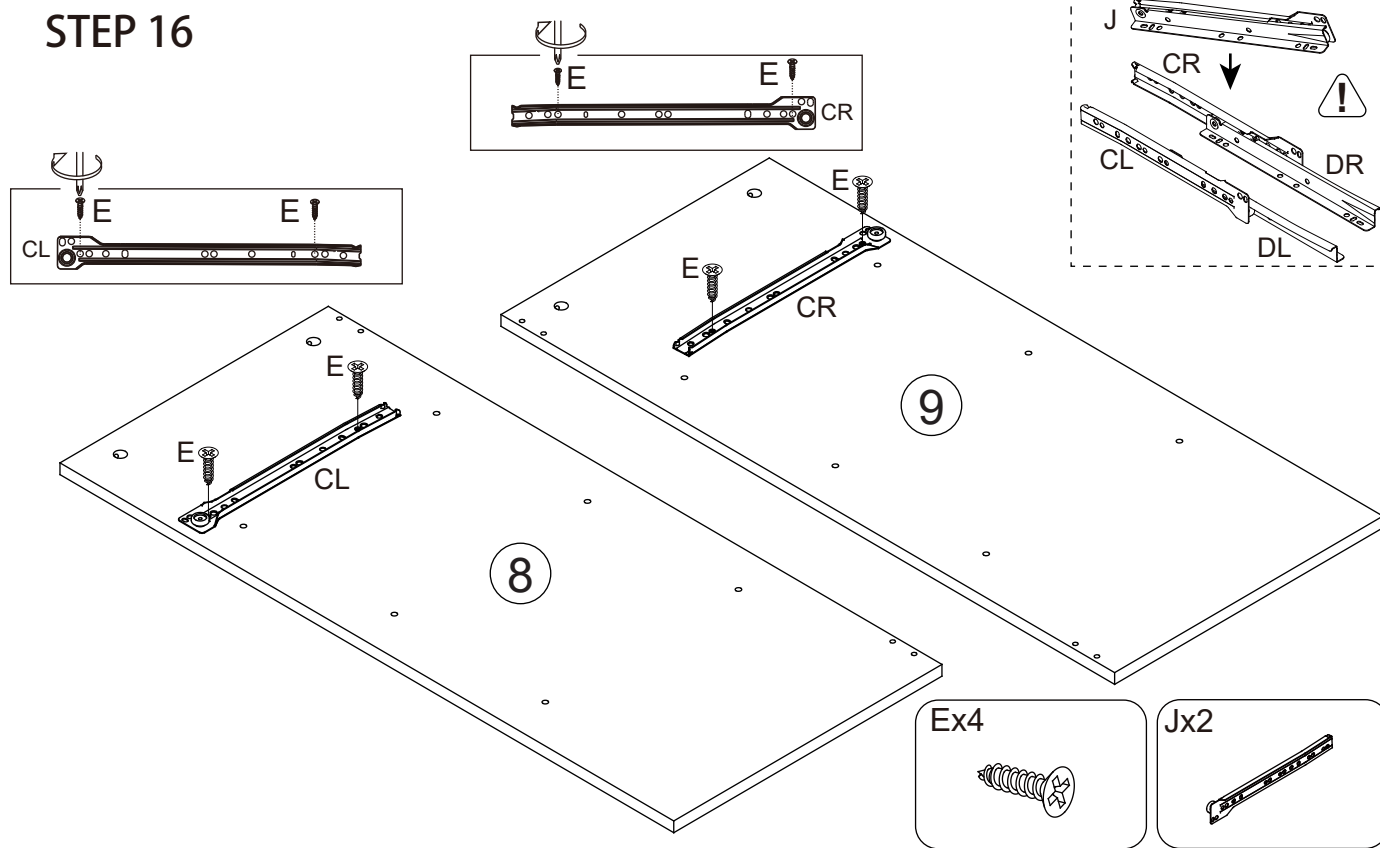


# INSTALLATION STEPS

## STEP 15

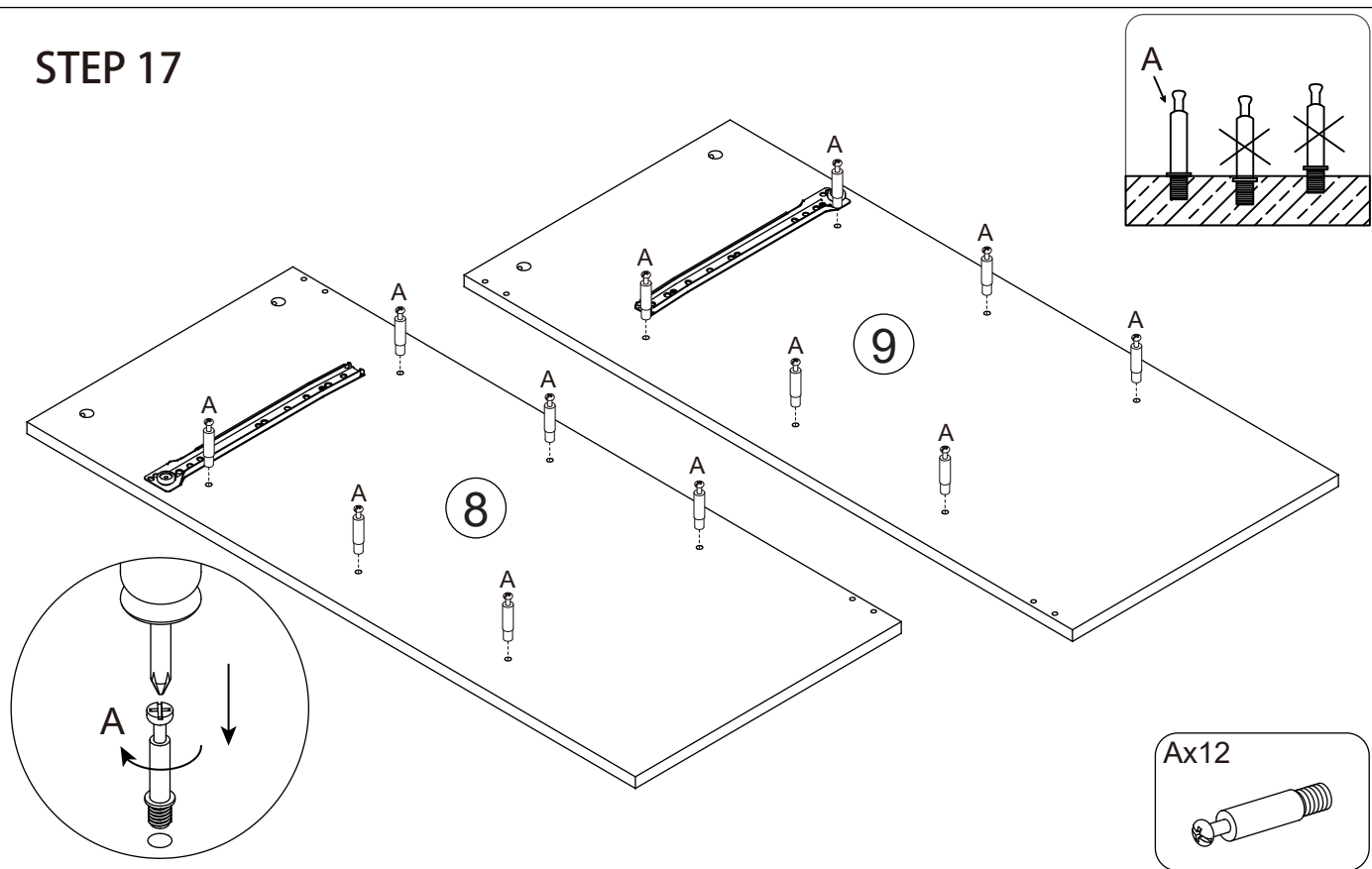


## STEP 16

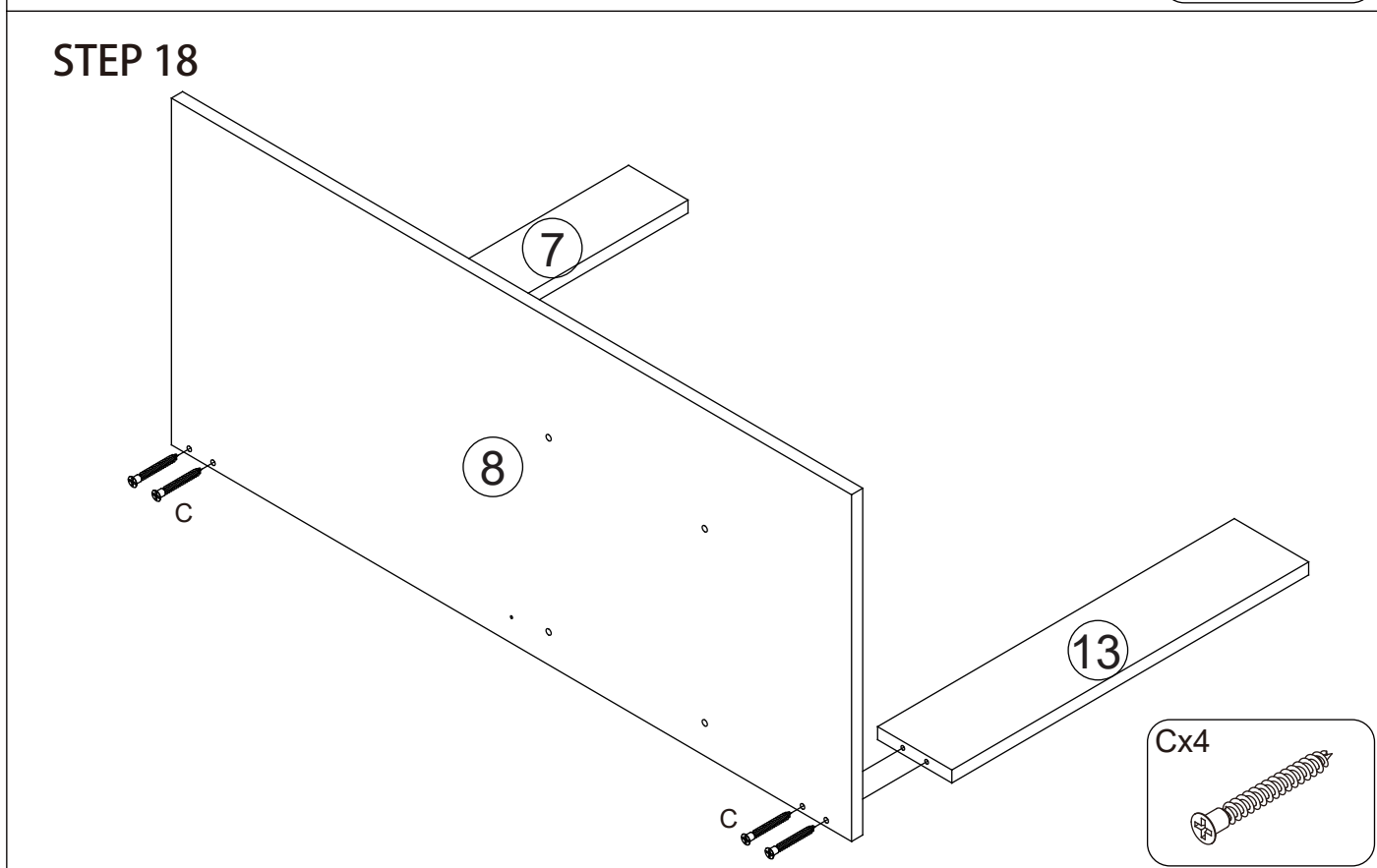


# INSTALLATION STEPS

## STEP 17

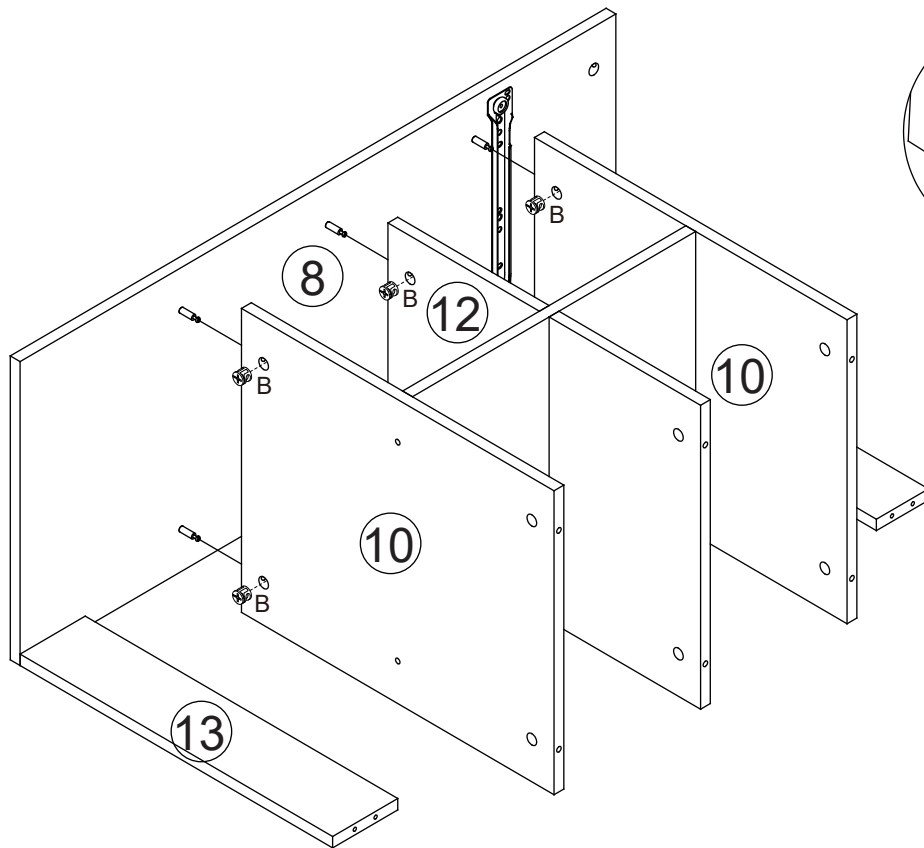


## STEP 18



# INSTALLATION STEPS

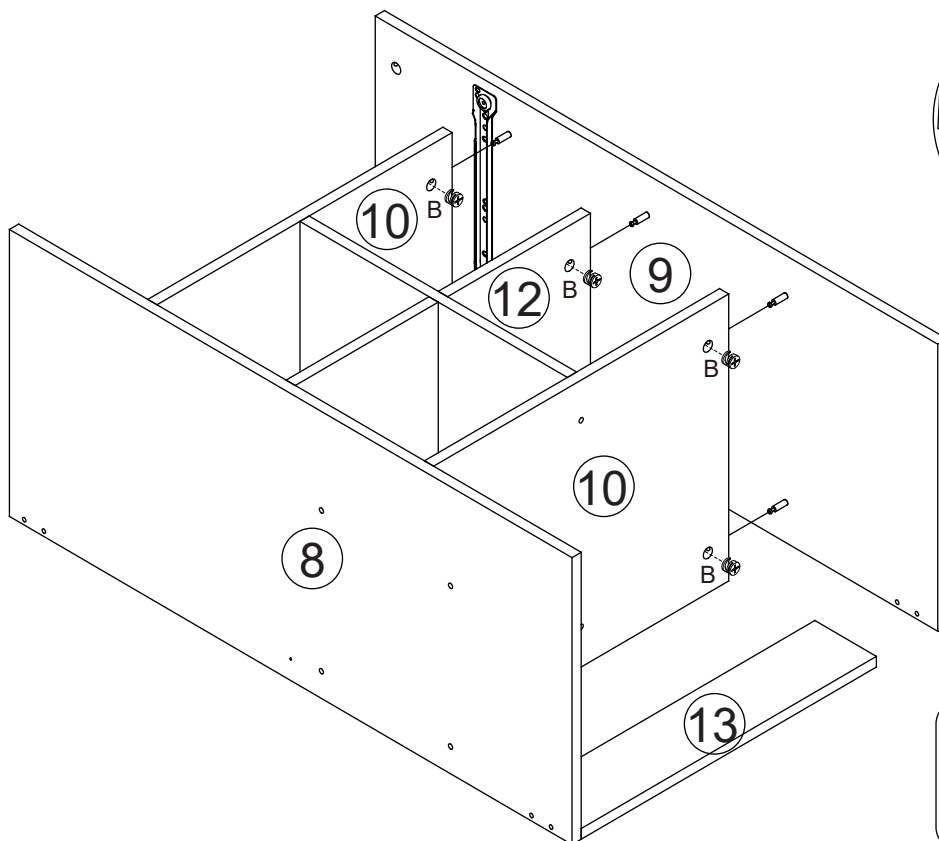
## STEP 19



Bx6



## STEP 20

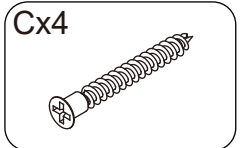
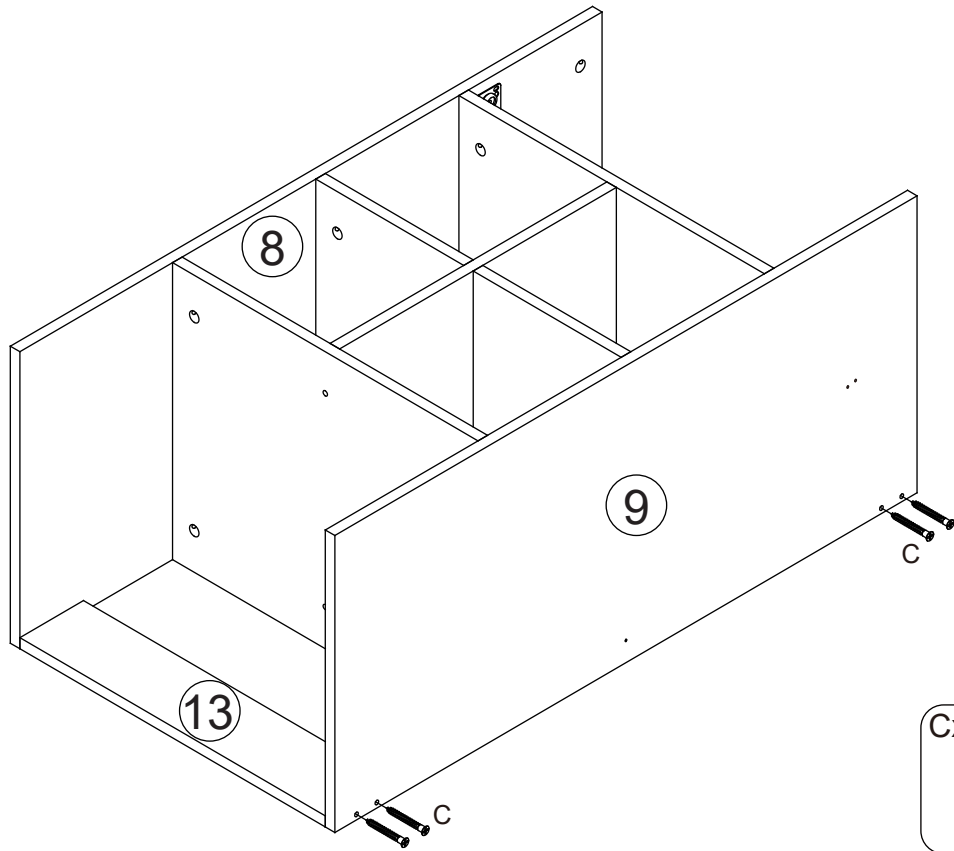


Bx6

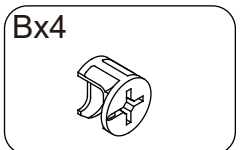
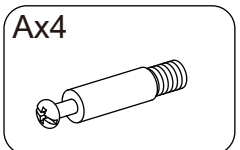
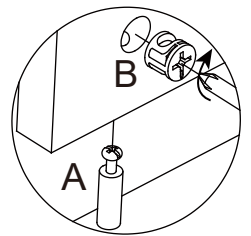
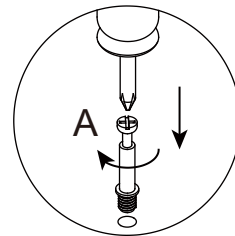
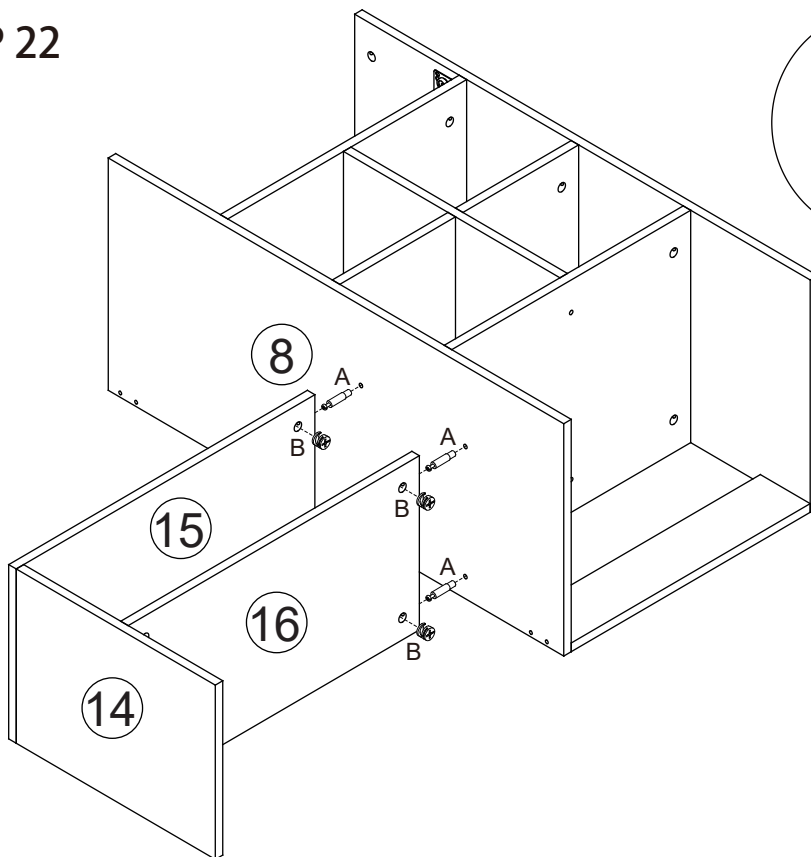


# INSTALLATION STEPS

## STEP 21

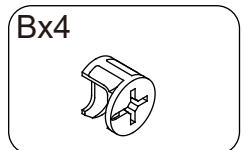
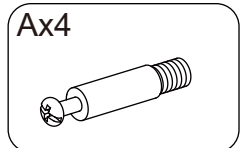
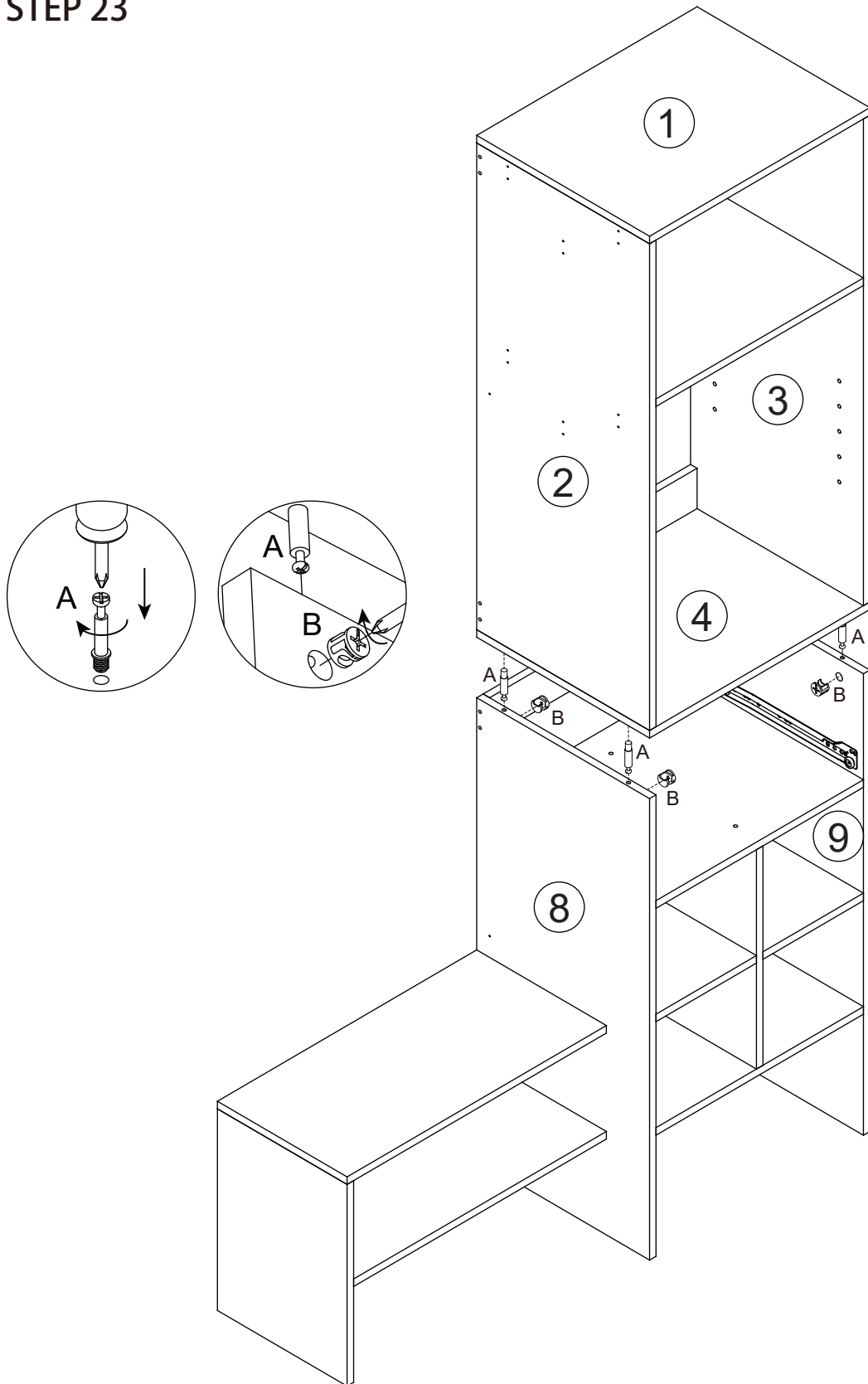


## STEP 22



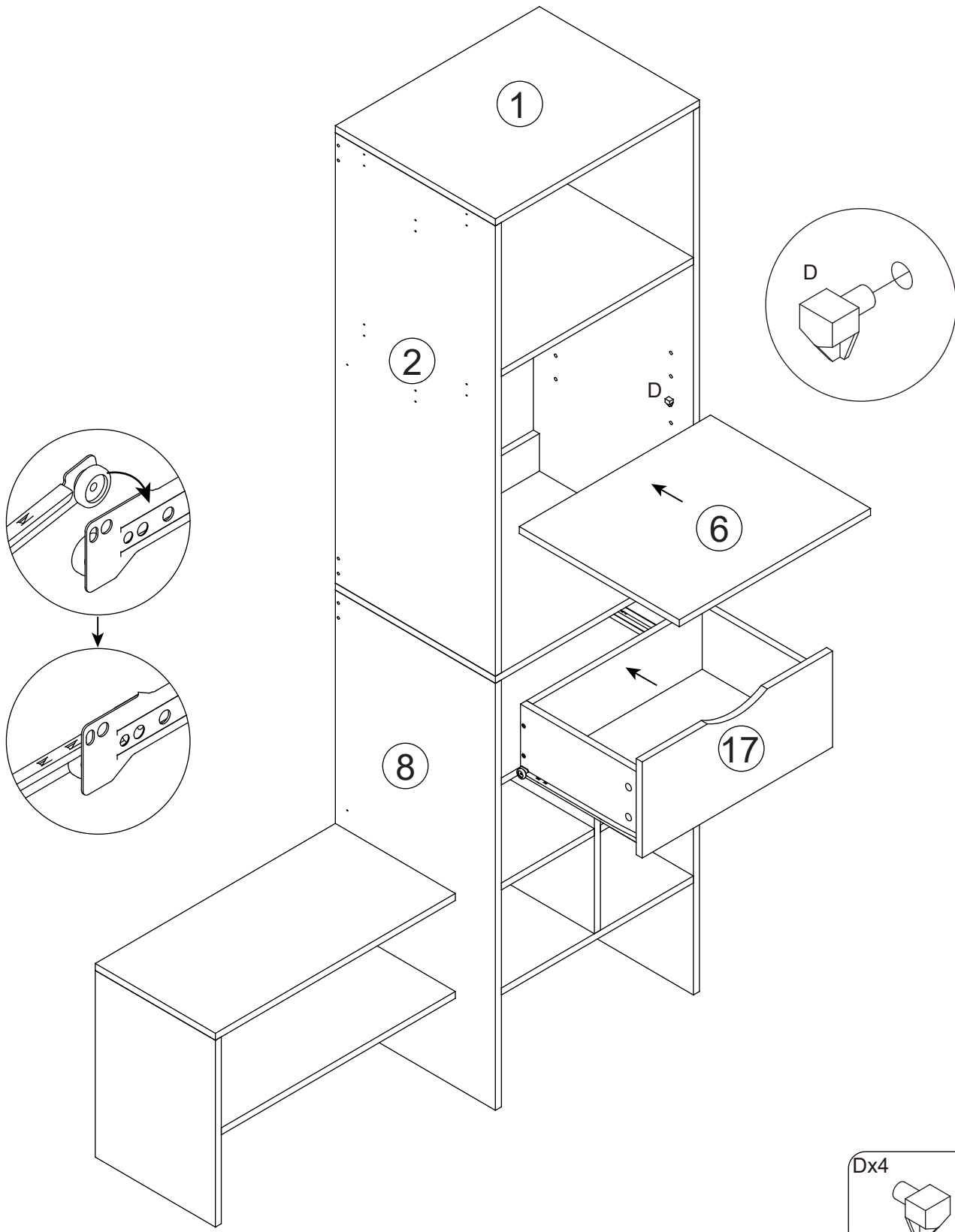
# INSTALLATION STEPS

## STEP 23



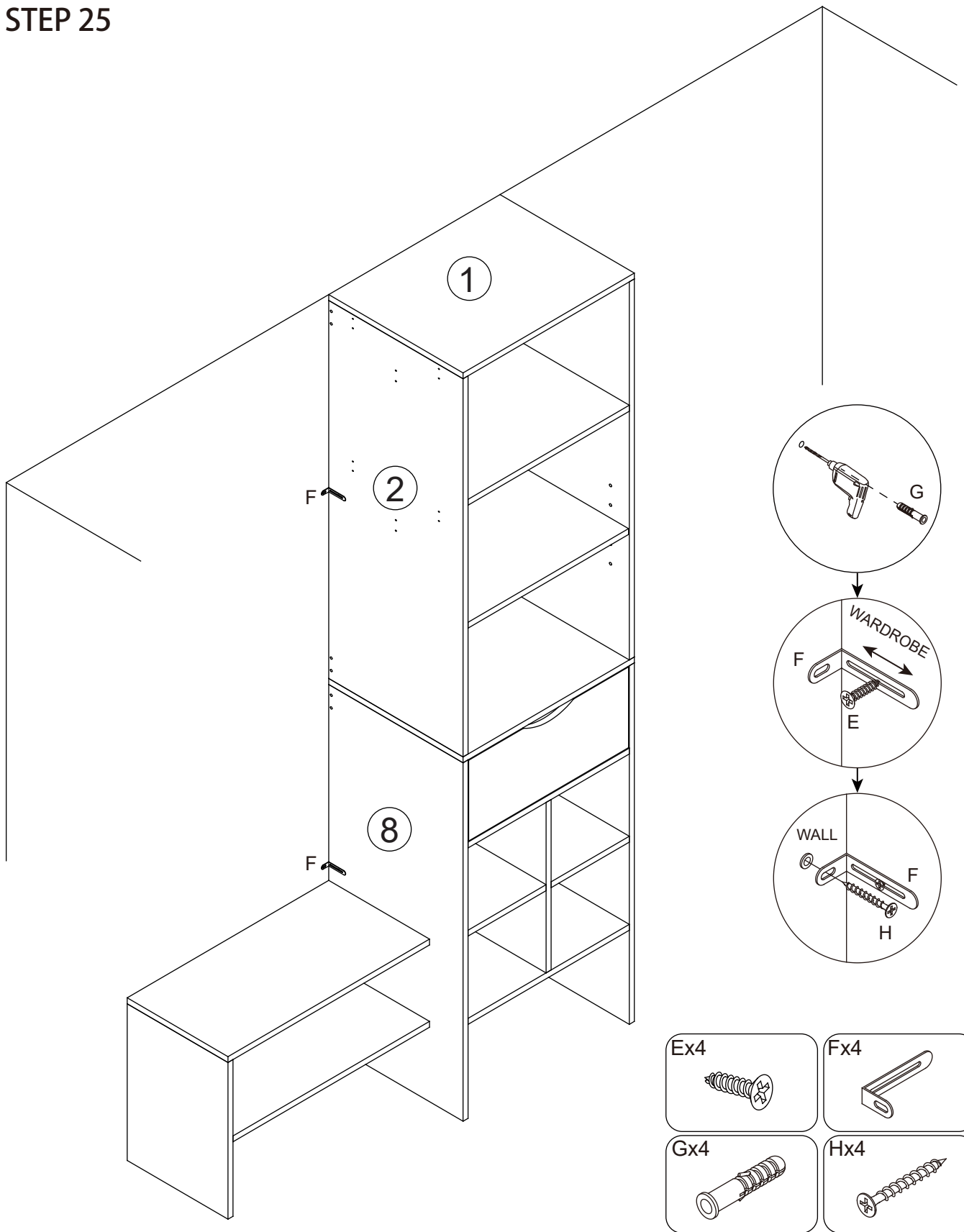
# INSTALLATION STEPS

## STEP 24



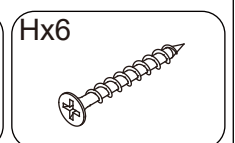
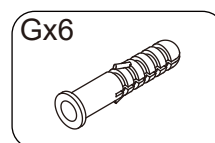
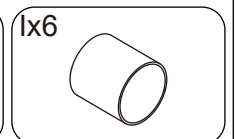
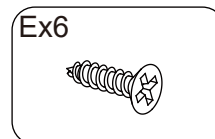
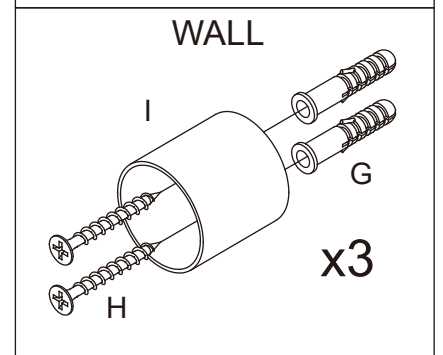
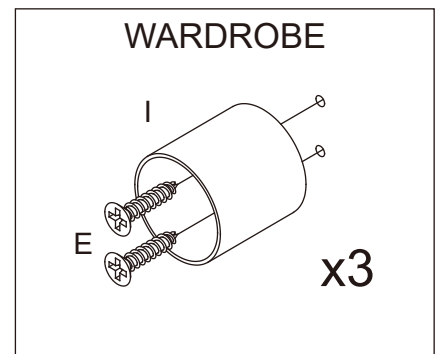
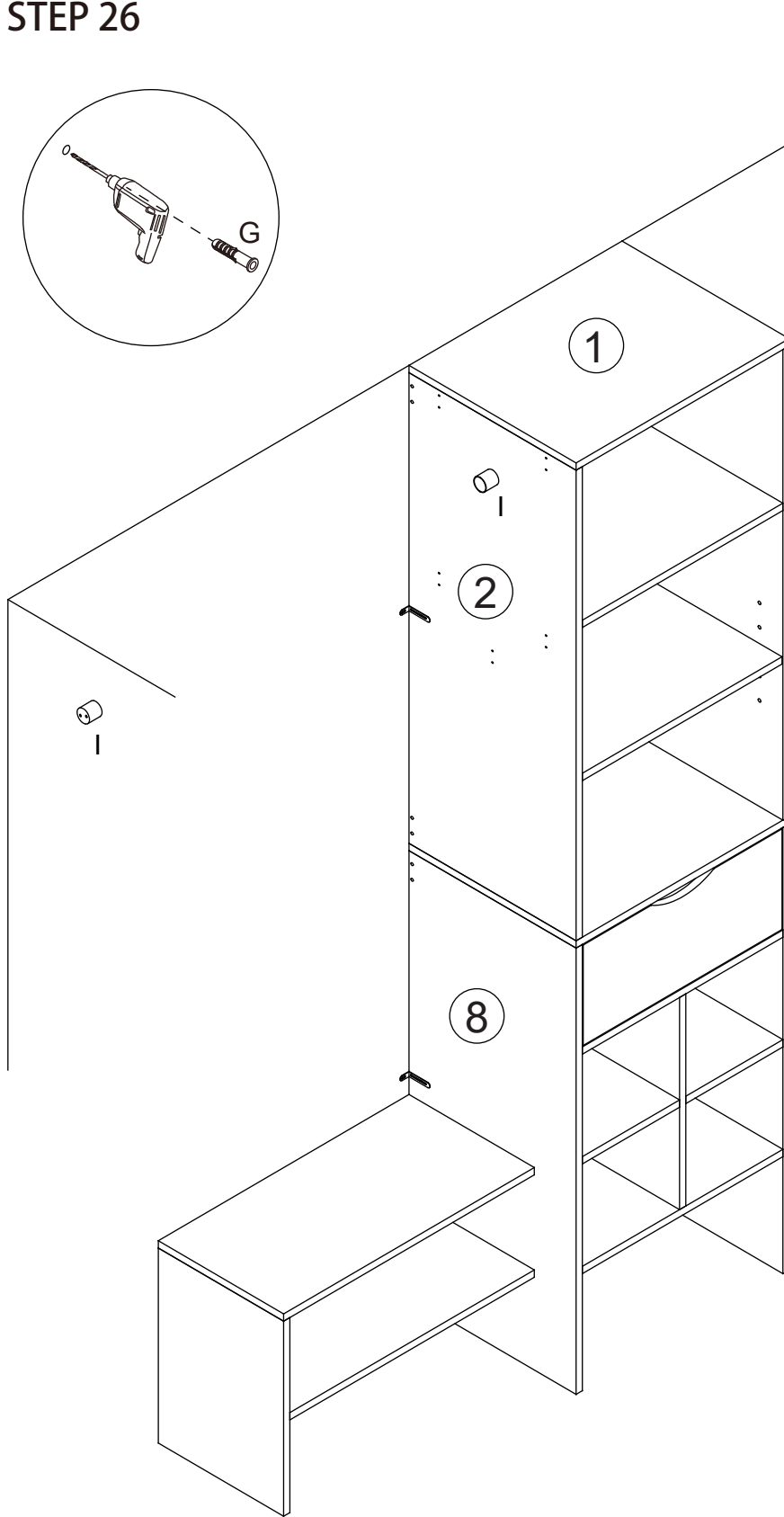
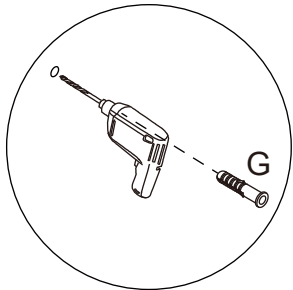
# INSTALLATION STEPS

## STEP 25



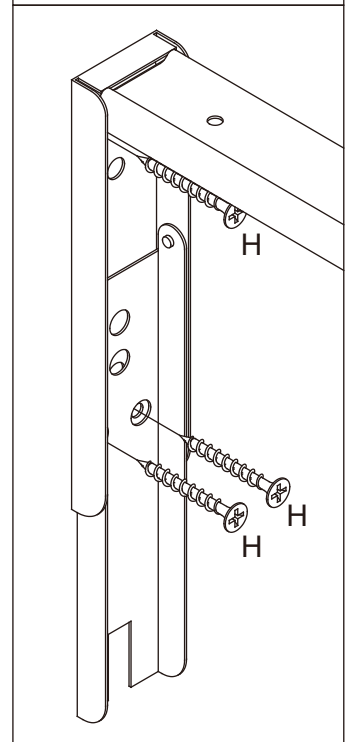
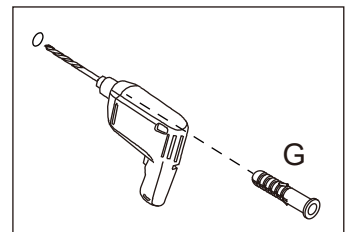
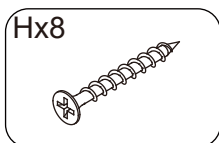
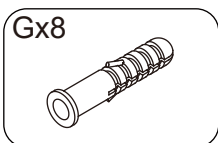
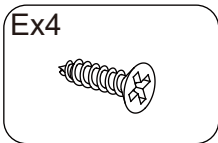
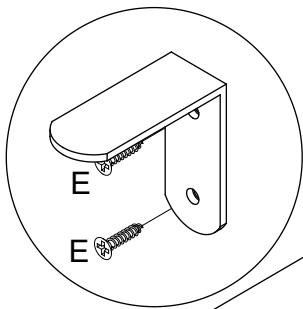
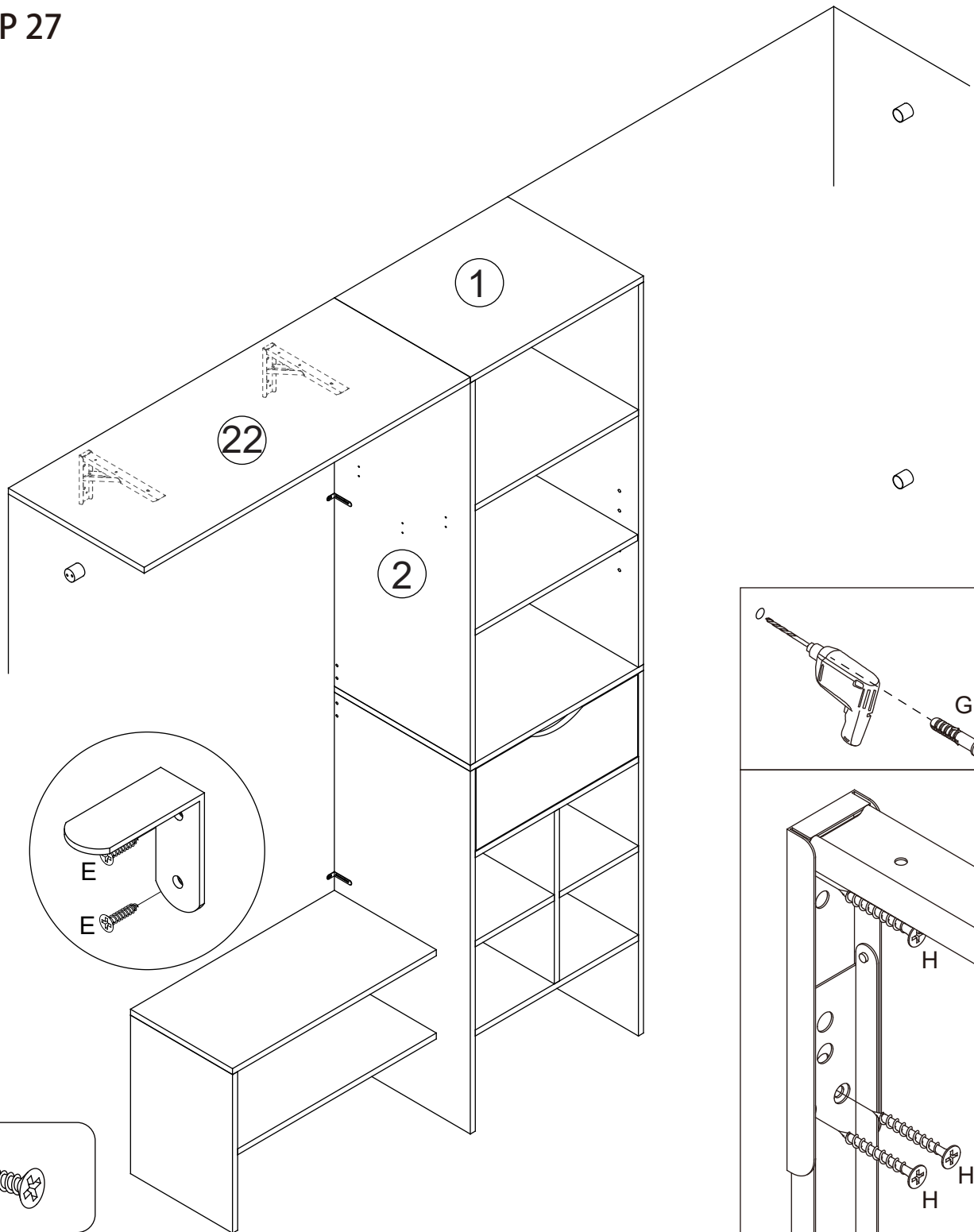
# INSTALLATION STEPS

## STEP 26



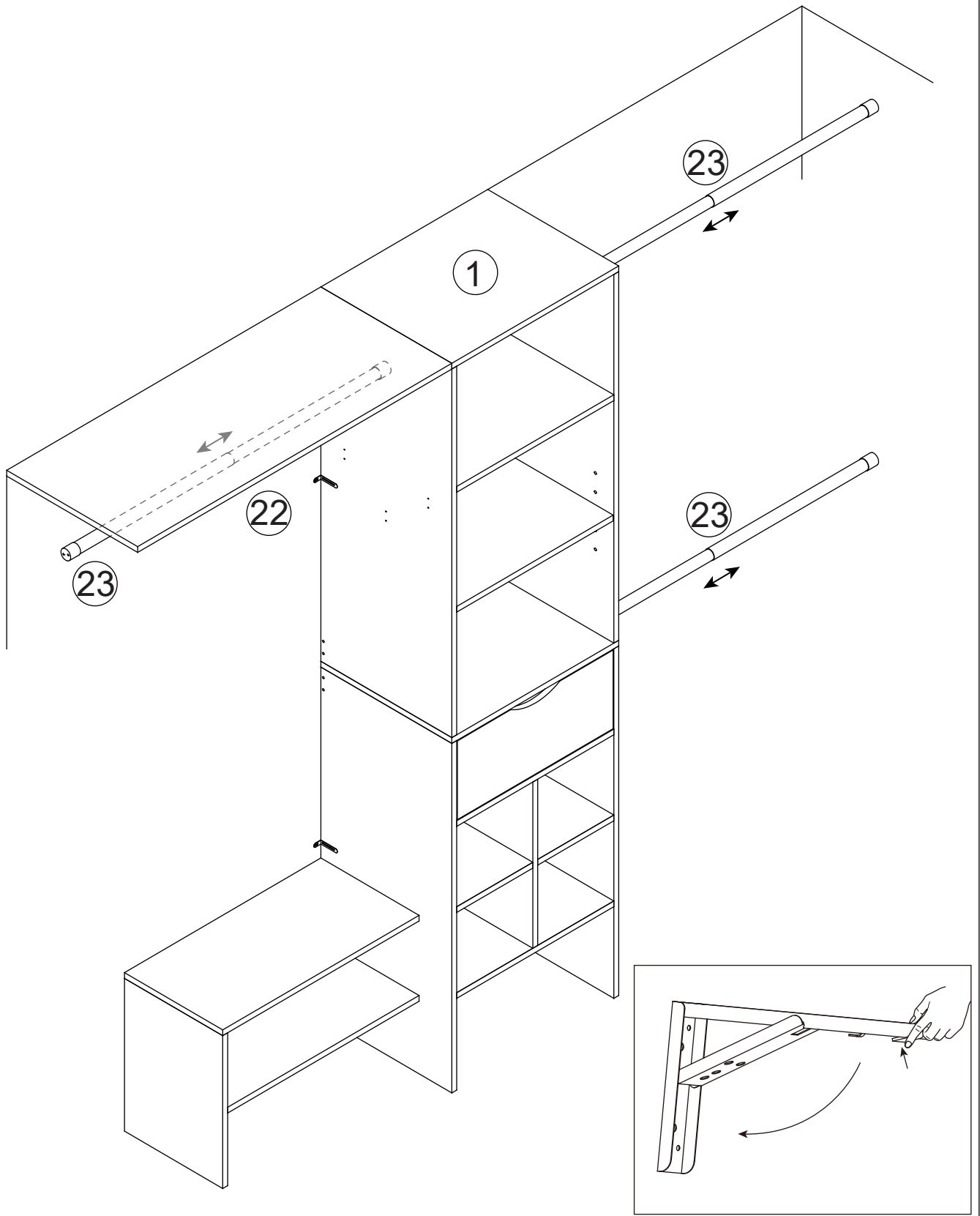
# INSTALLATION STEPS

## STEP 27



# INSTALLATION STEPS

## STEP 28



# INSTALLATION STEPS

## STEP 29

