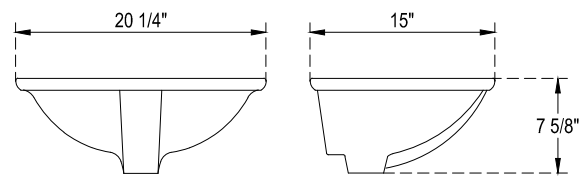
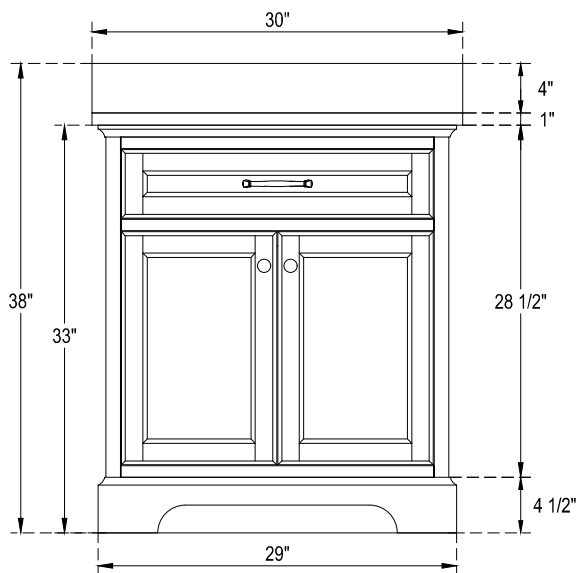
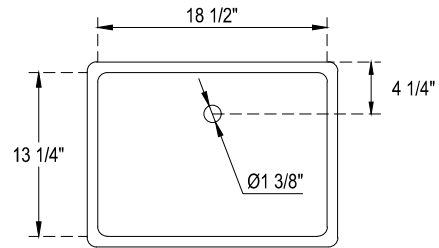
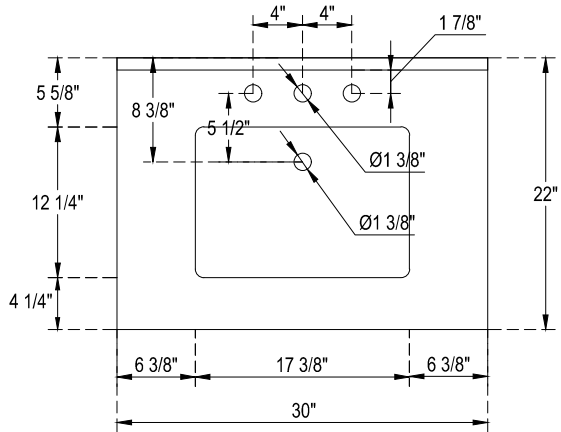


# SPECIFICATIONS



Handle:  
Overall length : 5 5/8"(144mm)  
center to center : 5"(128mm)

