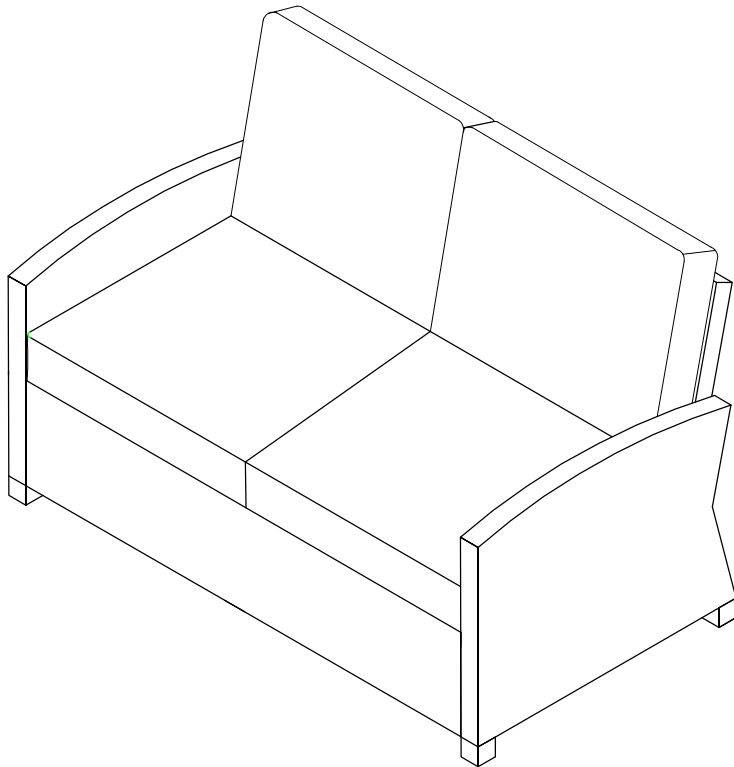


Outdoor Wicker Loveseat

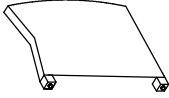
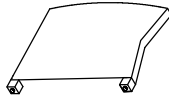


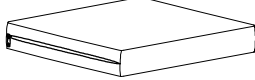





Congratulations! You have purchased a stylish piece
We strive to provide fine furniture products, built with quality materials and hand finished details. Please carefully follow the assembly instructions to ensure your furniture is assembled correctly to provide long lasting enjoyment.

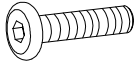
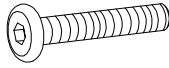
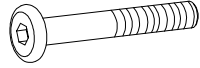
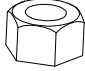

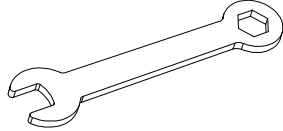
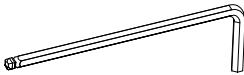
Should you experience any missing or damaged parts **do not return to the store.**Please visit our website or contact us directly

Care: Use a soft, clean cloth that will not scratch the surface when cleaning. The use of solvents is not necessary. Should you choose to use solvents, test in an inconspicuous area first to avoid damaging the finish. To clean, simply use a soft, clean cloth lightly dampened with water.

PART LIST

 Left Arm Panel		 Right Arm Panel		 Back Panel	
A	1PC	B	1PC	C	1PC
 Seat Panel		 Cover Of Seat Cushion		 Inner Of Seat Cushion	
D	1PC	E	2PCS	F	2PCS
 Cover Of Back Cushion		 Inner Of Back Cushion			
G	2PCS	H	2PCS		

HARDWARE LIST

 Short Bolt(M6*40mm)		 Medium Bolt(M6*55mm)		 Long Bolt(M6*65mm)	
I	2PCS	J	4PCS	K	7PCS
 Nut(M6mm)		 Washer(M6mm)		 Wrench(M6mm)	
L	7PCS	M	20PCS	N	1PC
 Allen Key(M6mm)					
O	1PC				

EXTRA HARDWARE LIST

 I X1PC

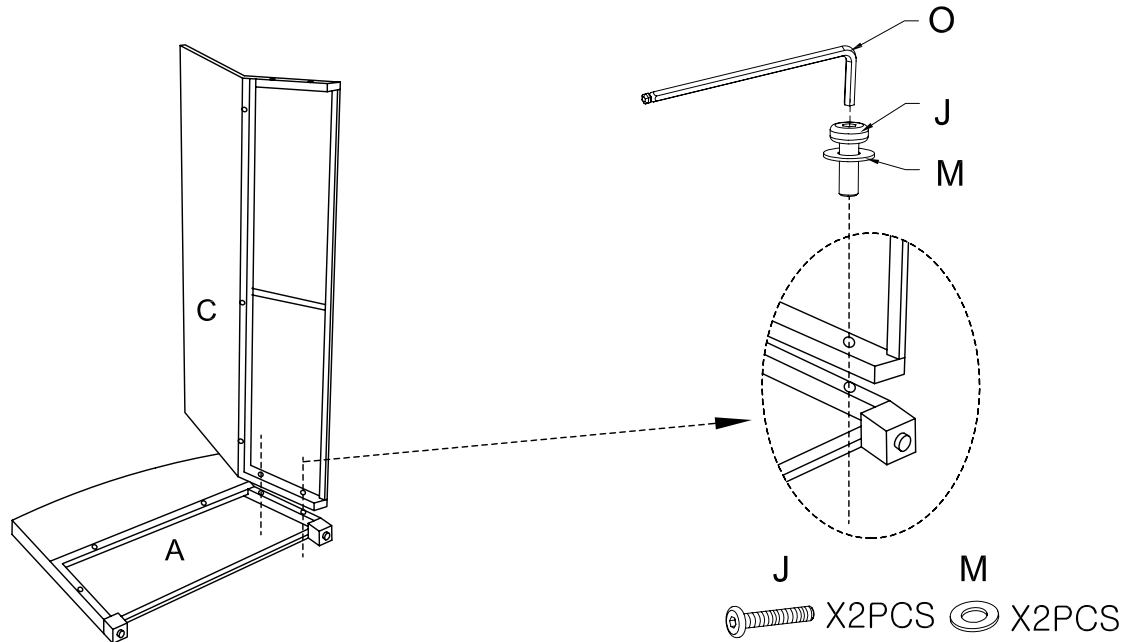
 J X1PC

 K X2PCS

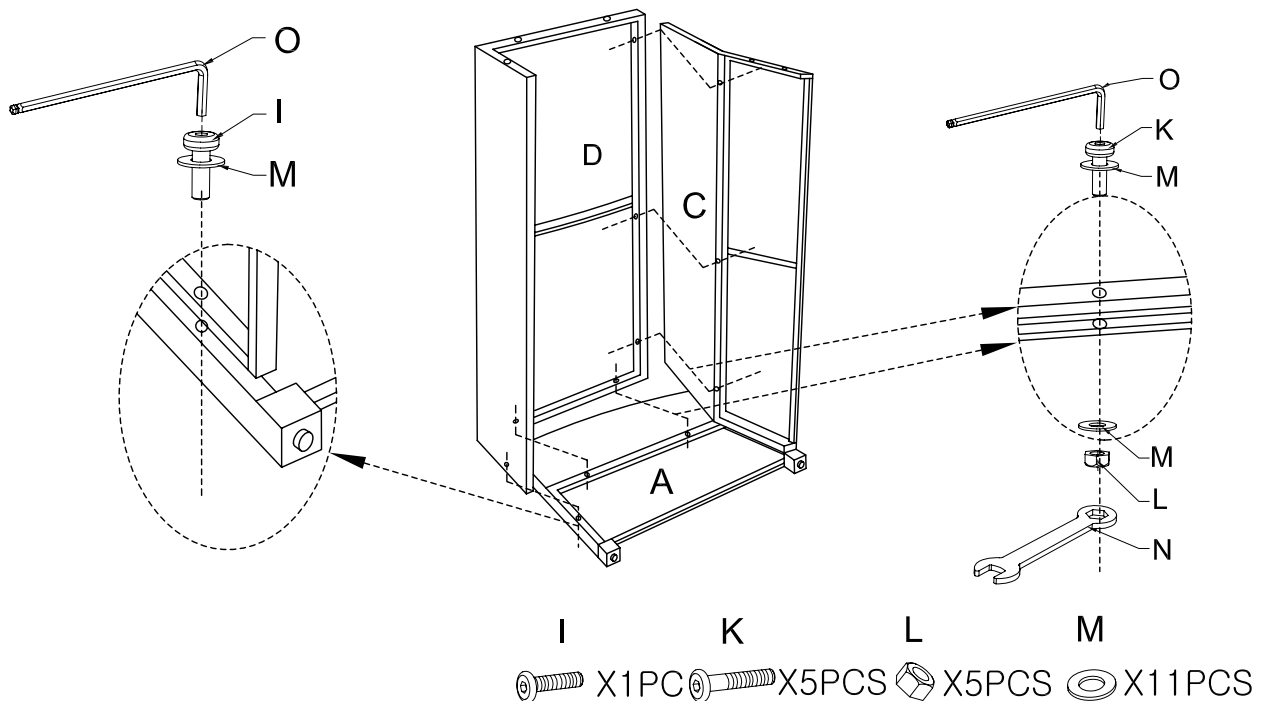
 L X2PCS

 MX3PCS

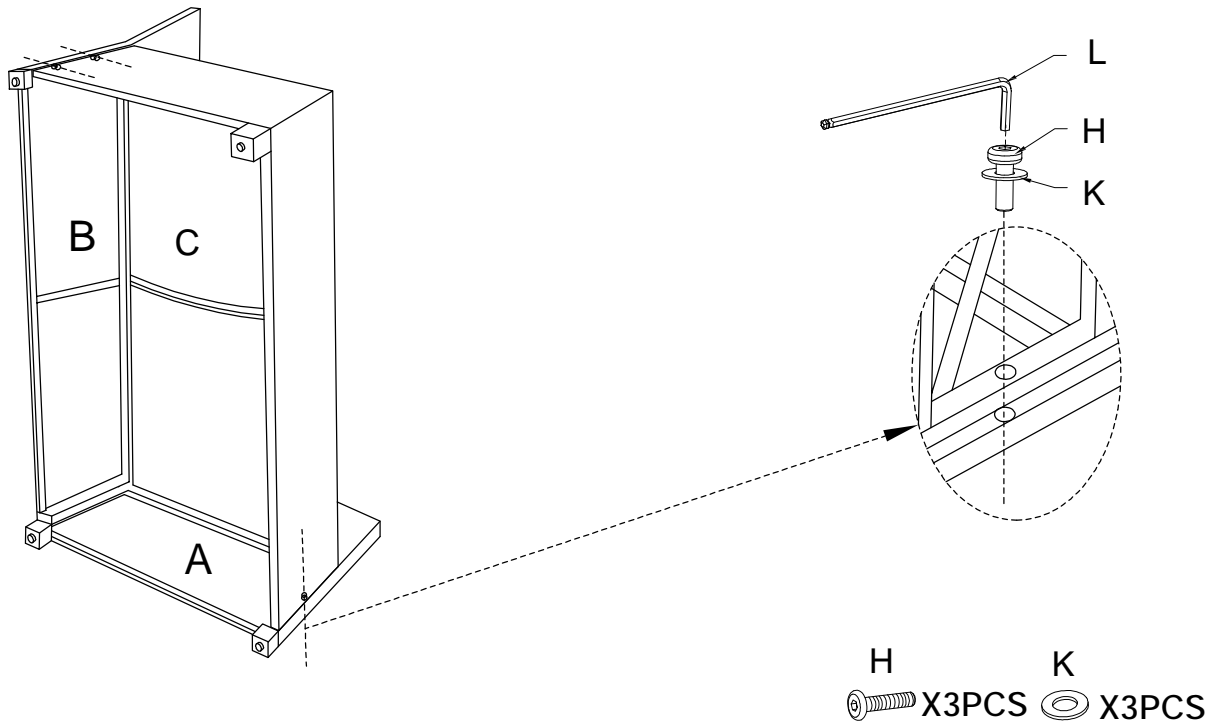
Step 1. Lay Left Arm Panel (A) down on a flat surface. Attach Back Panel(C) to Left Arm Panel(A) using the Medium Bolts(J), Washers(M) & Allen Key (O).
 NOTE: Please do not fully tighten bolts until unit is fully assembled.



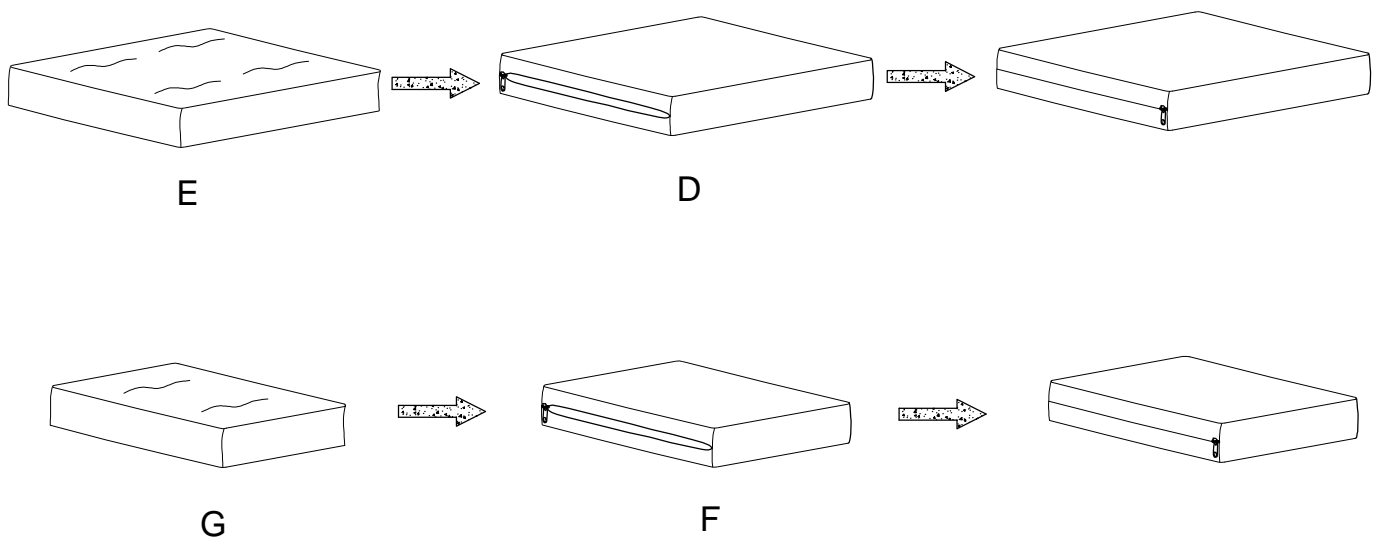
Step 2. Attach Seat Panel(D) to Left Arm Panel(A) and Back Panel (C) using the Short Bolts(I), Long Bolts(K), Washers(M), Nuts(L), Wrench (N) & Allen Key (O).



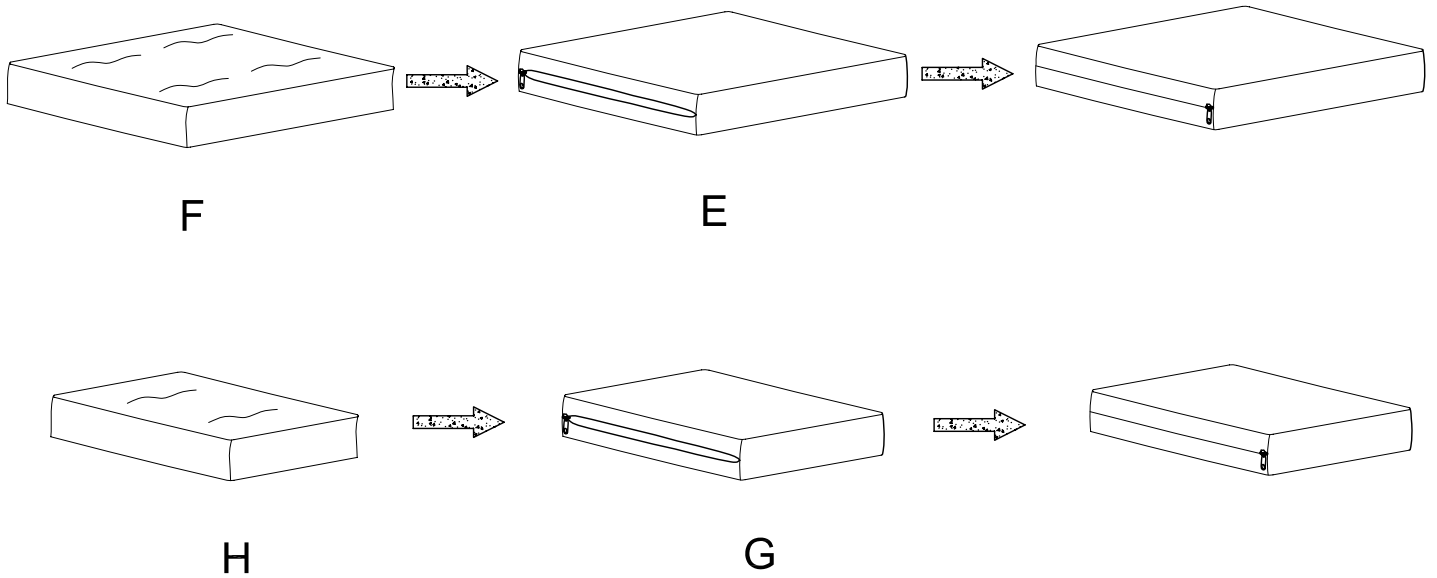
Step 3. Attach Seat Panel (C) to Arm Panel (A) and Back Panel (B) using the Short Bolts(H), Washers (K) & Allen Key (L).



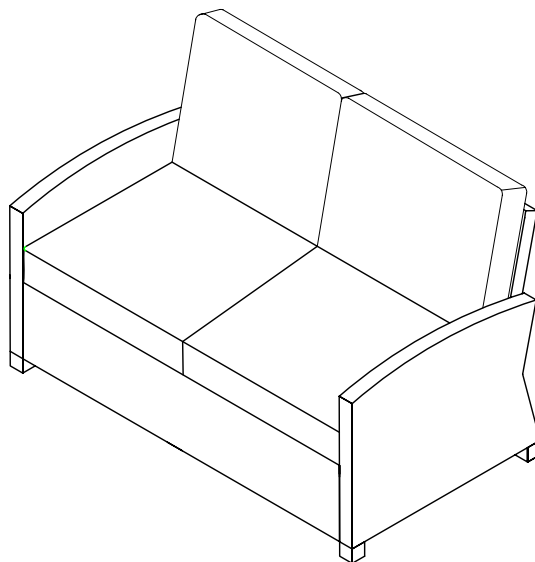
Step 4. Insert Inner Of Seat Cushion (E) into Cover Of Seat Cushion (D).
Insert Inner Of Back Cushion (G) into Cover Of Back Cushion (F).



Step 4. Insert Inner Of Seat Cushion (F) into Cover Of Seat Cushion (E).
Insert Inner Of Back Cushion (H) into Cover Of Back Cushion (G).



Step 5. Place Seat Cushion and Back Cushion on the loveseat.



Limited Manufacturers Warranty

Our Products are warranted against defects in material and workmanship for a period of 90 days beginning from the date of sale. Should any parts be missing or defective, we will replace or repair the parts for a period of 90 days from the date of purchase.

Should you experience any missing or damaged parts, do not return to the store. Please contact us directly

This warranty gives the purchaser specified legal rights in addition to any rights which may vary from state to state.

In accordance with the "Moss-Magnuson Warranty Act" of July 10, 1975, this is termed a "limited warranty" which in no way compromises our high standards of Quality and Workmanship.