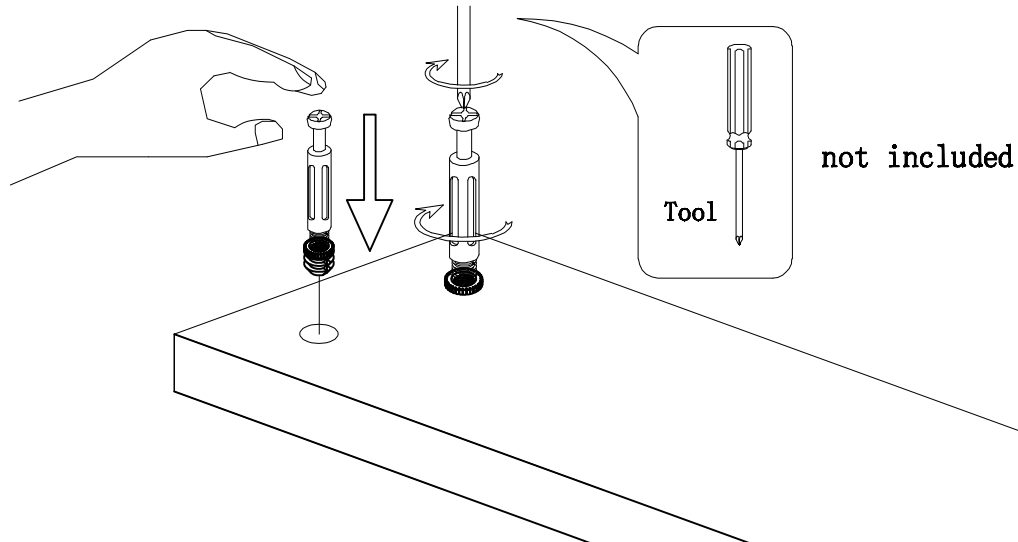




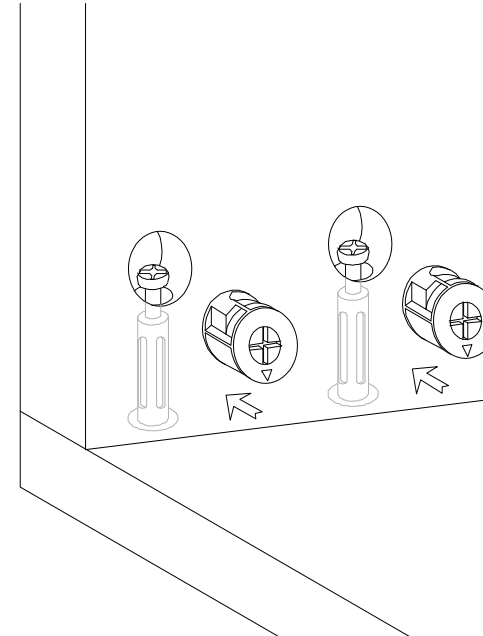
## Hardware installation demonstration

NOTE: Please make sure "A" hardware tightened and can't be pulled out!

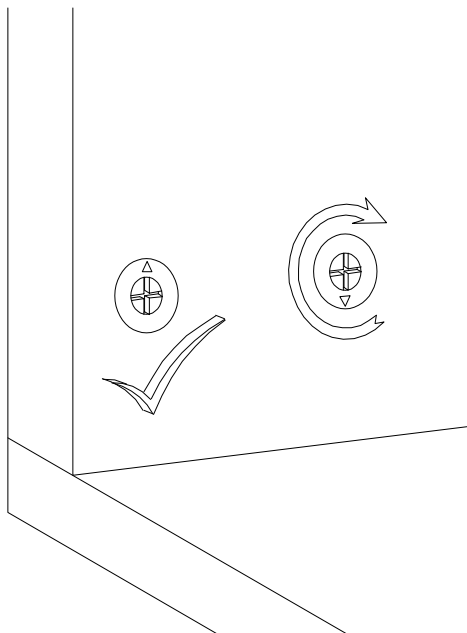
I



II



III

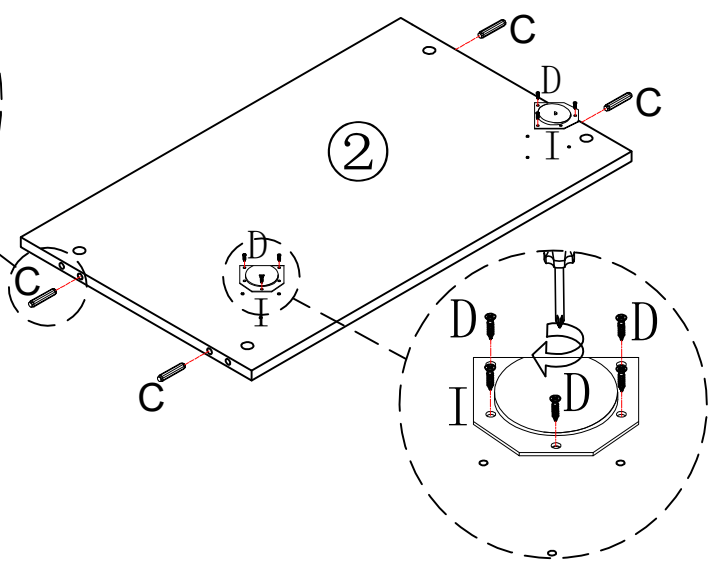
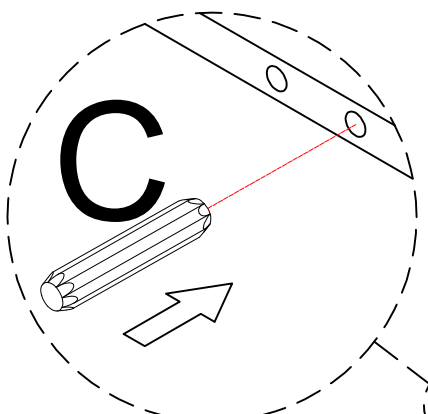
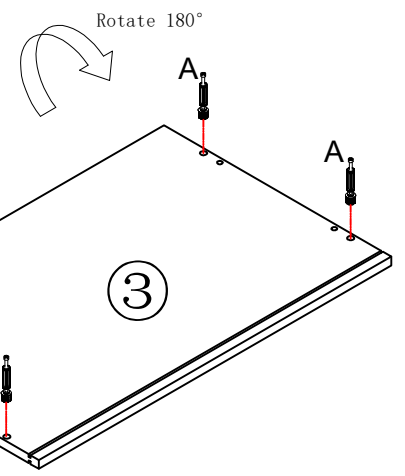
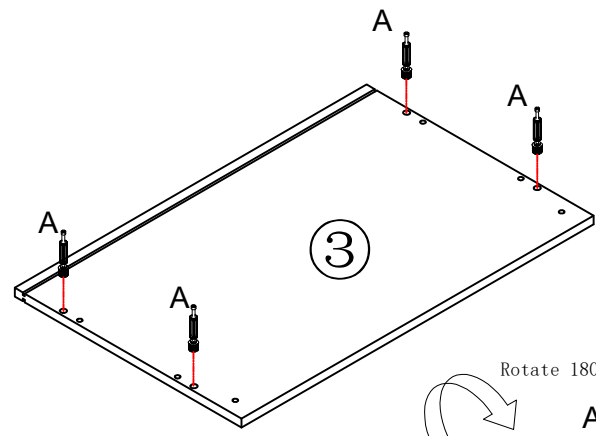
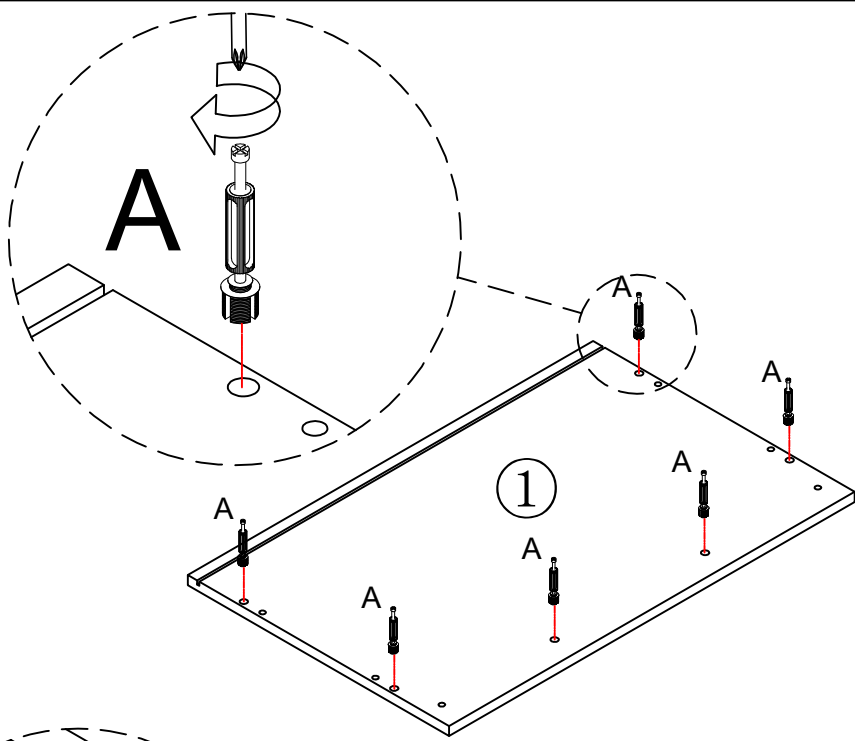



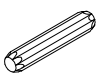

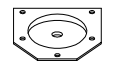
IV



Scan QR code for assembly video

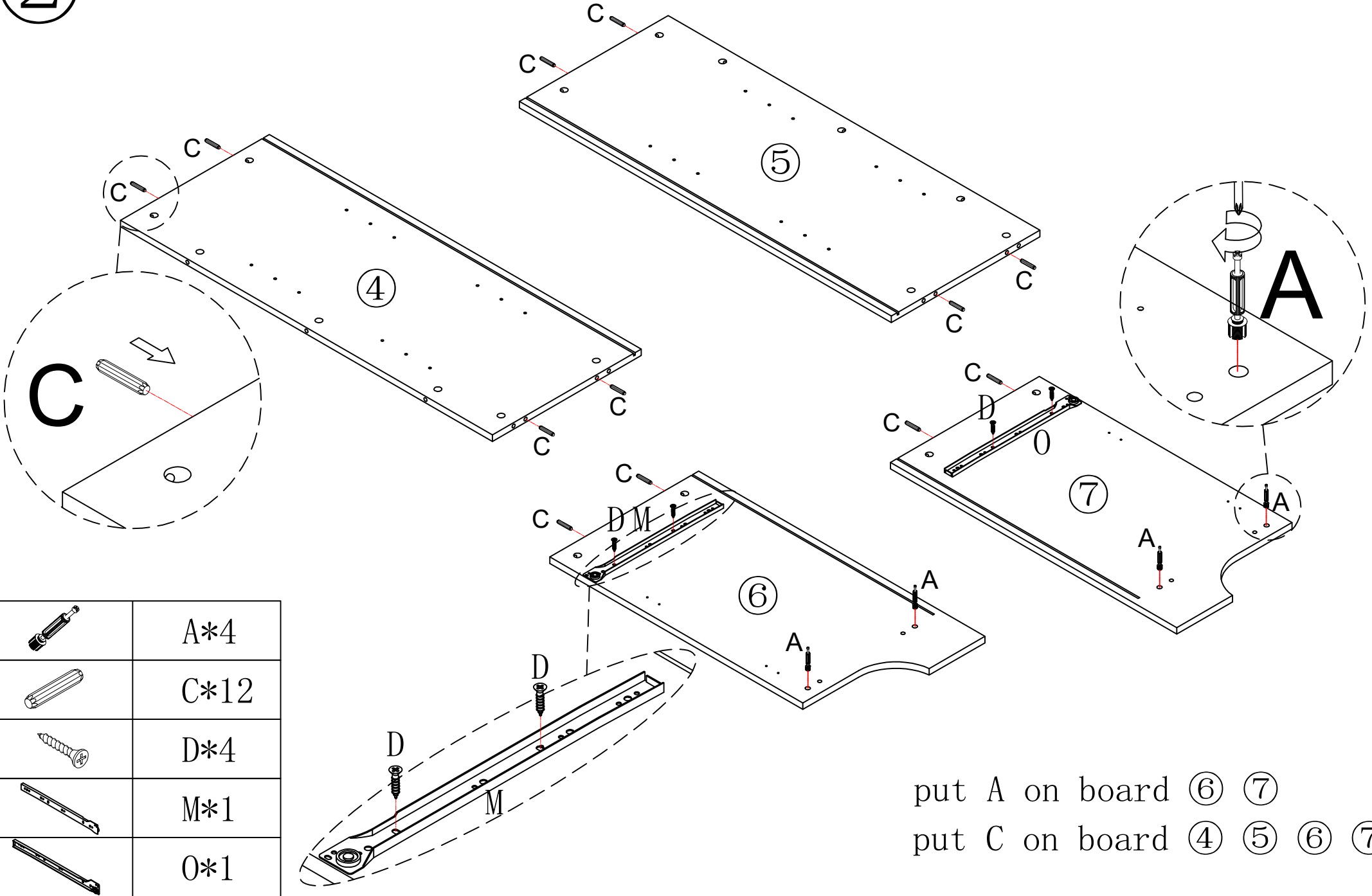
1


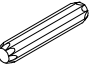

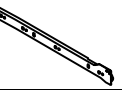



	A*14
	C*4
	D*10
	I*2

put A on board ① ② ③  
 put C on board ②

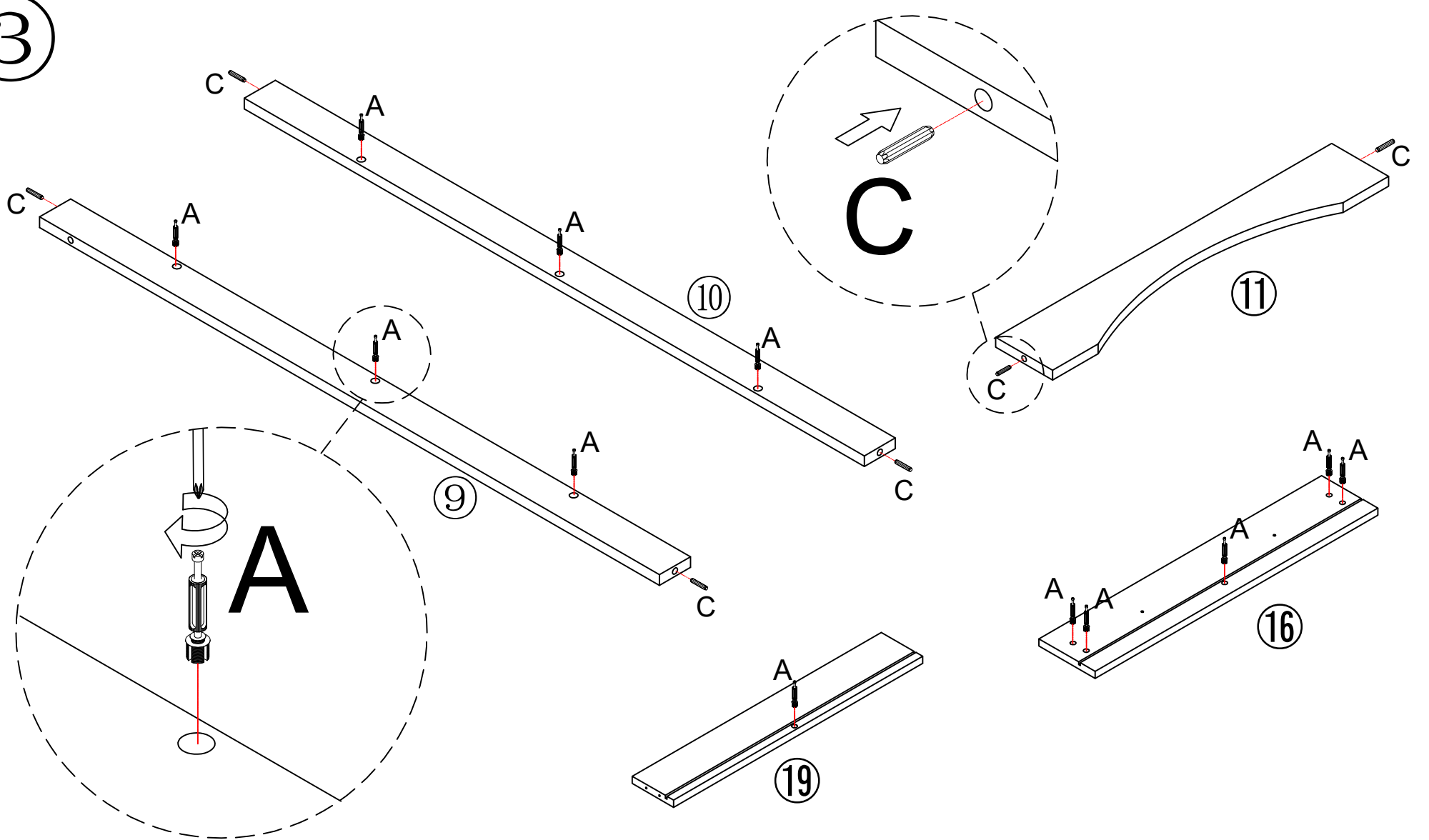
2


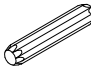


	A*4
	C*12
	D*4
	M*1
	O*1

put A on board ⑥ ⑦  
 put C on board ④ ⑤ ⑥ ⑦

3

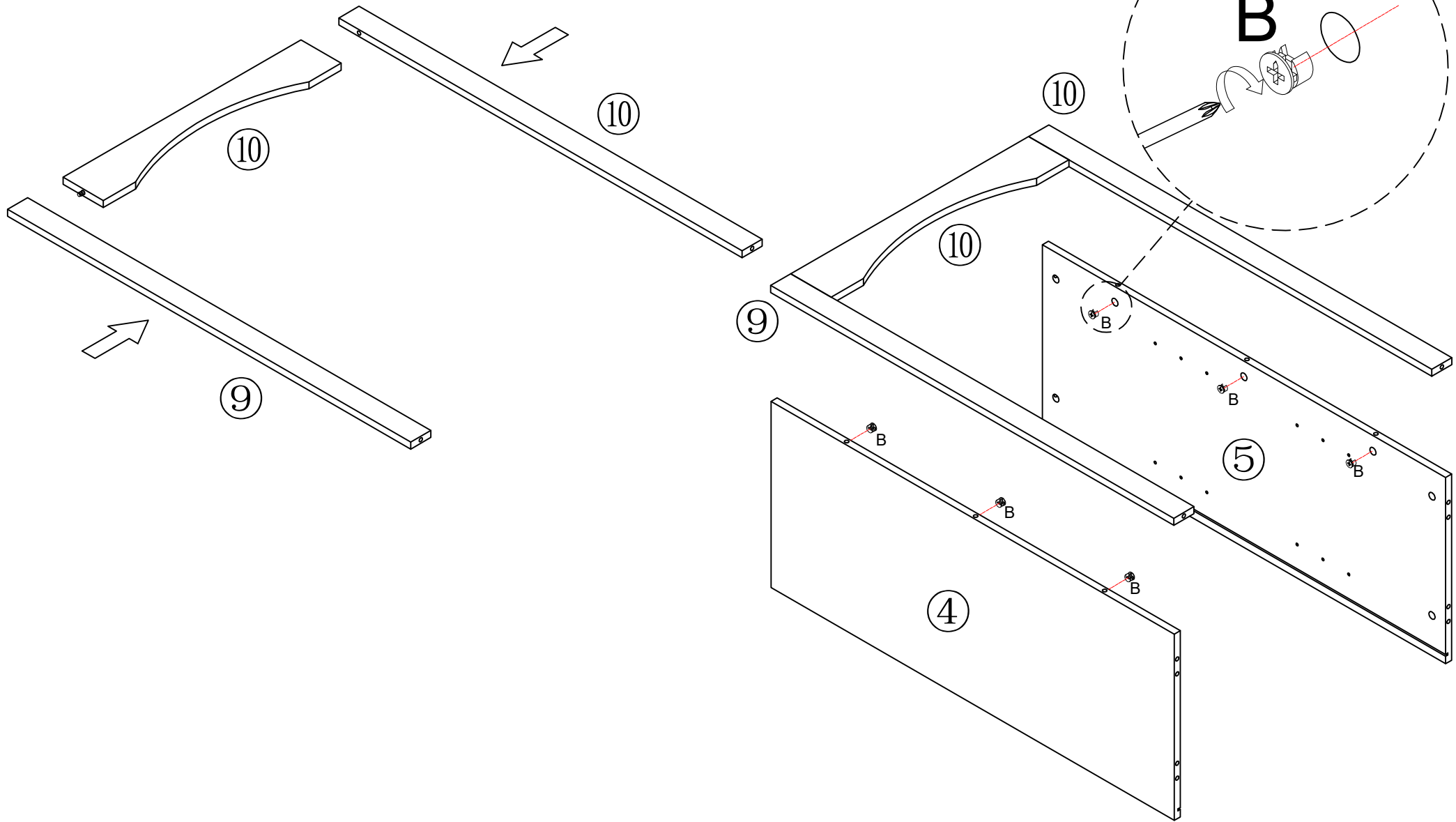


	A*12
	C*6

put A on board ⑨ ⑩ ⑯ ⑲  
 put C on board ⑨ ⑩ ⑪

4

Make sure the arrow on the screw align to the hole on the side.

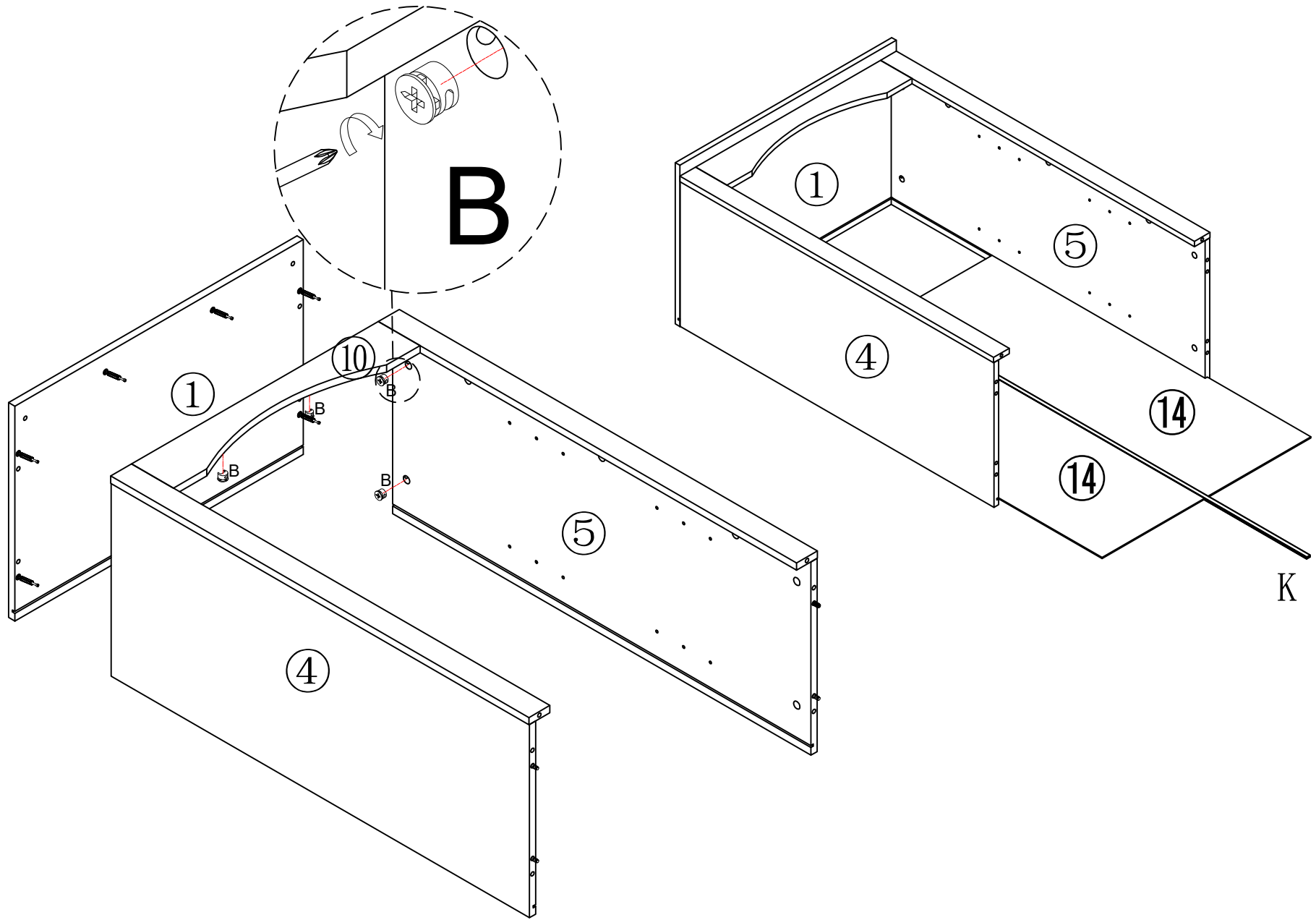




put B on board 4 5



B\*6

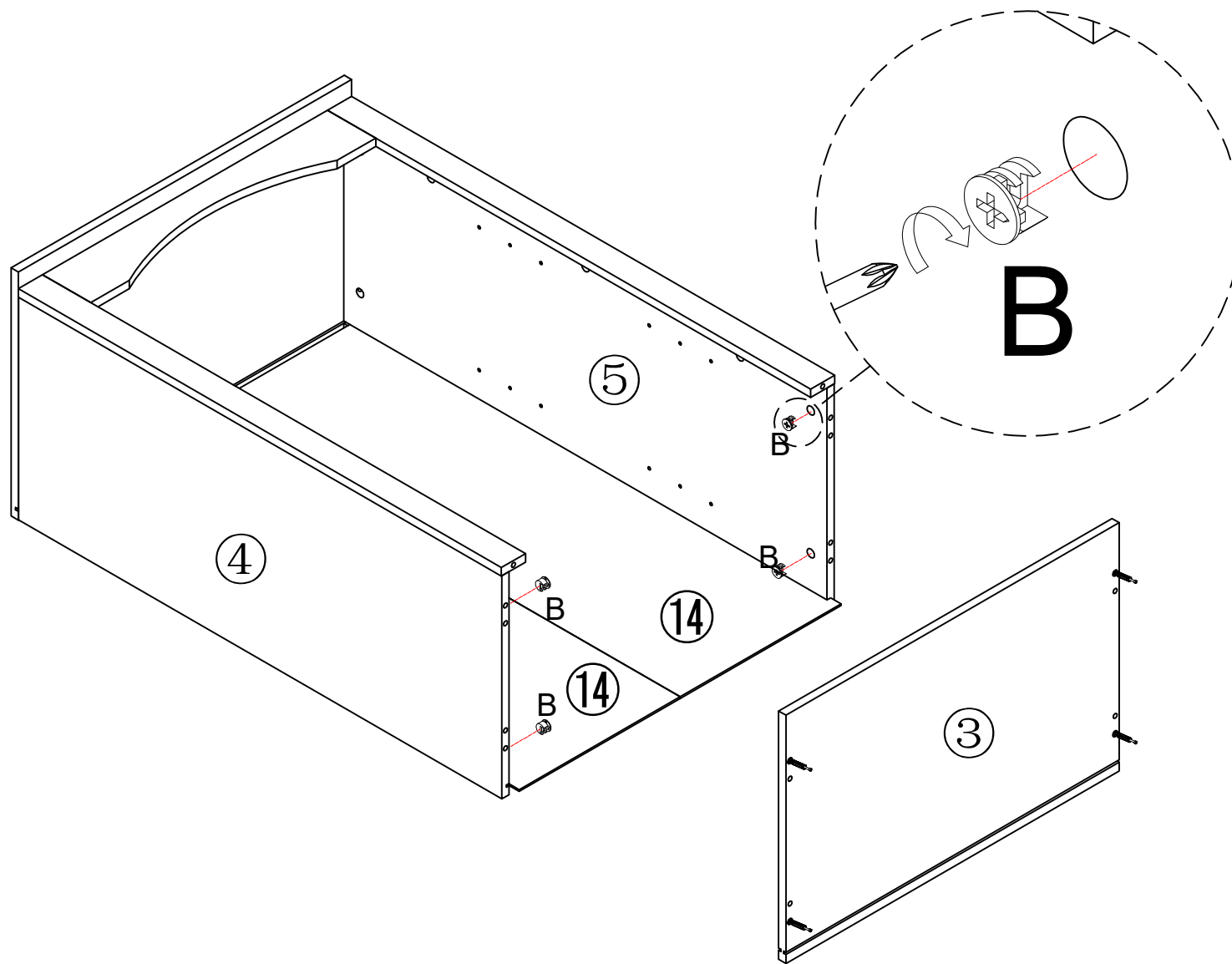
5



	B*6
	K*1

put B on board ④ ⑤ ⑩

6

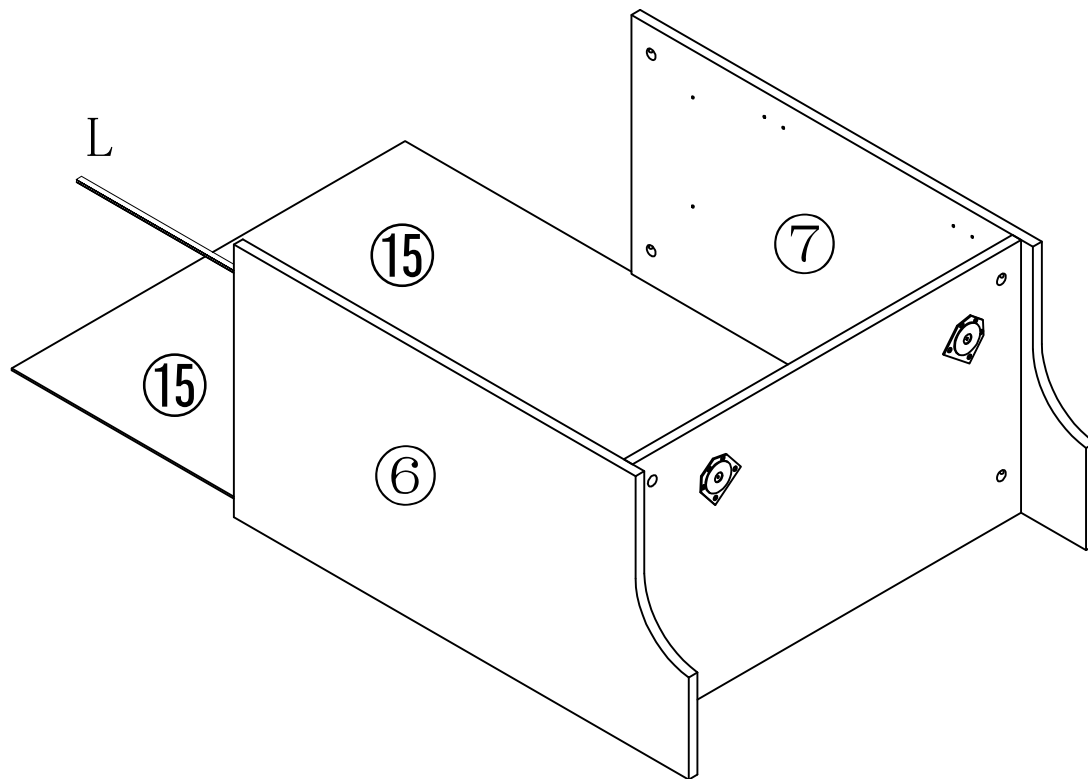
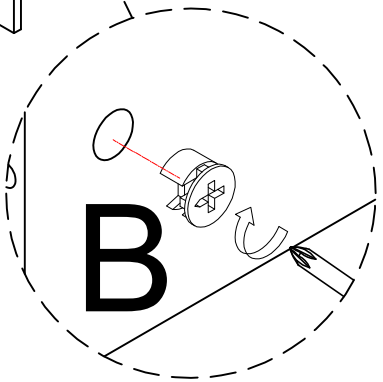
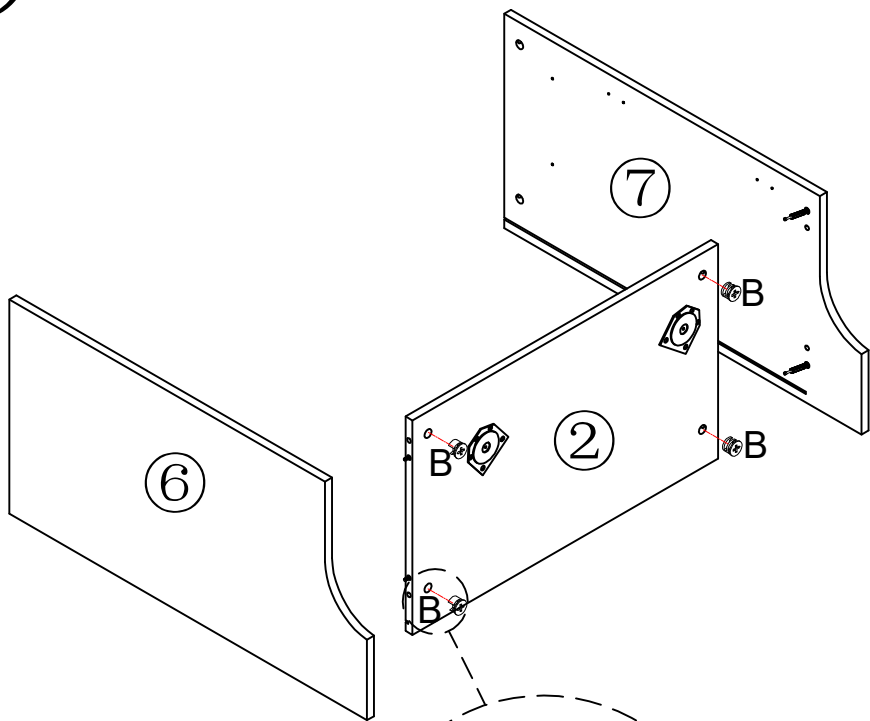




put B on board ④ ⑤



B\*4

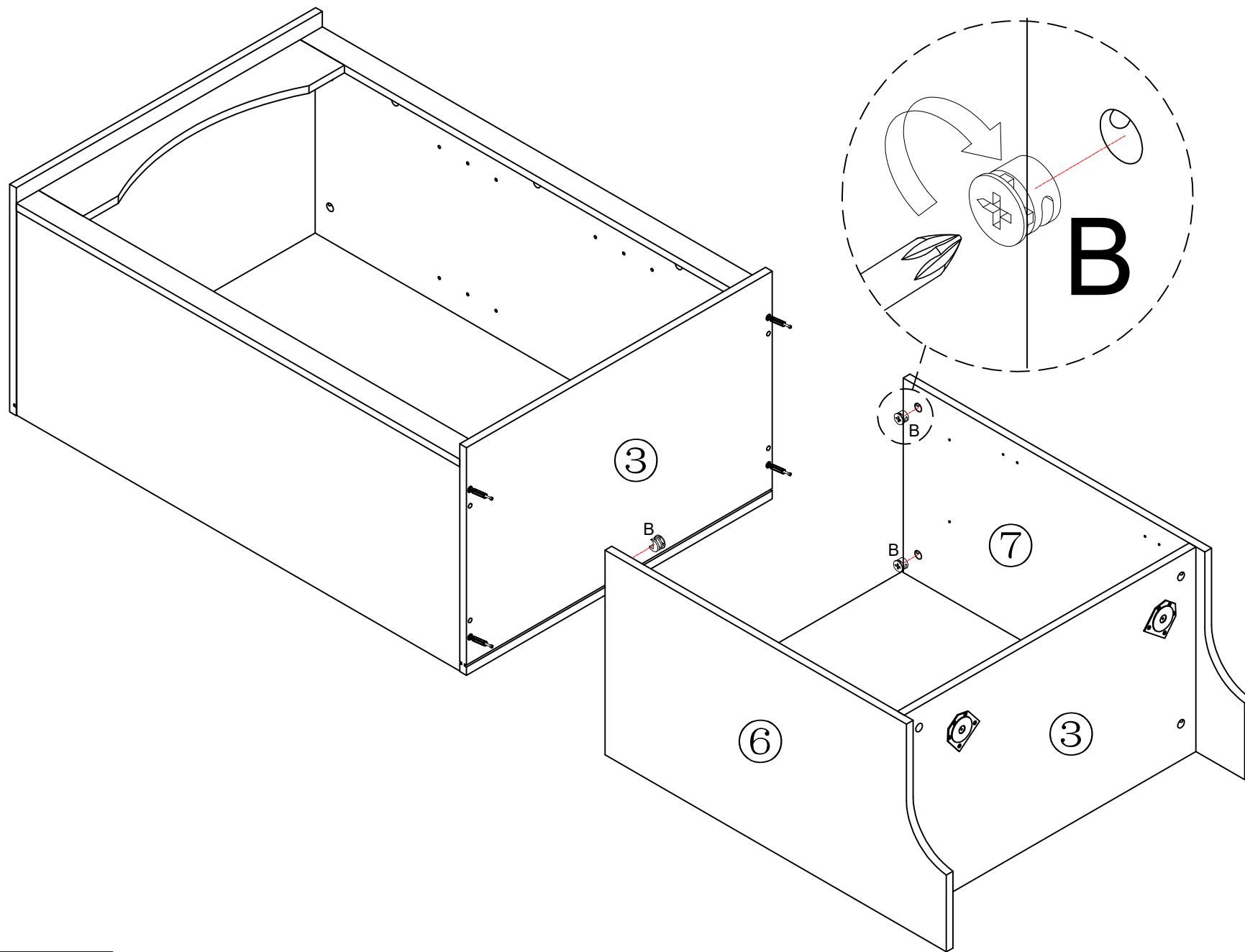
7



	B*6
	L*1

put B on board ②

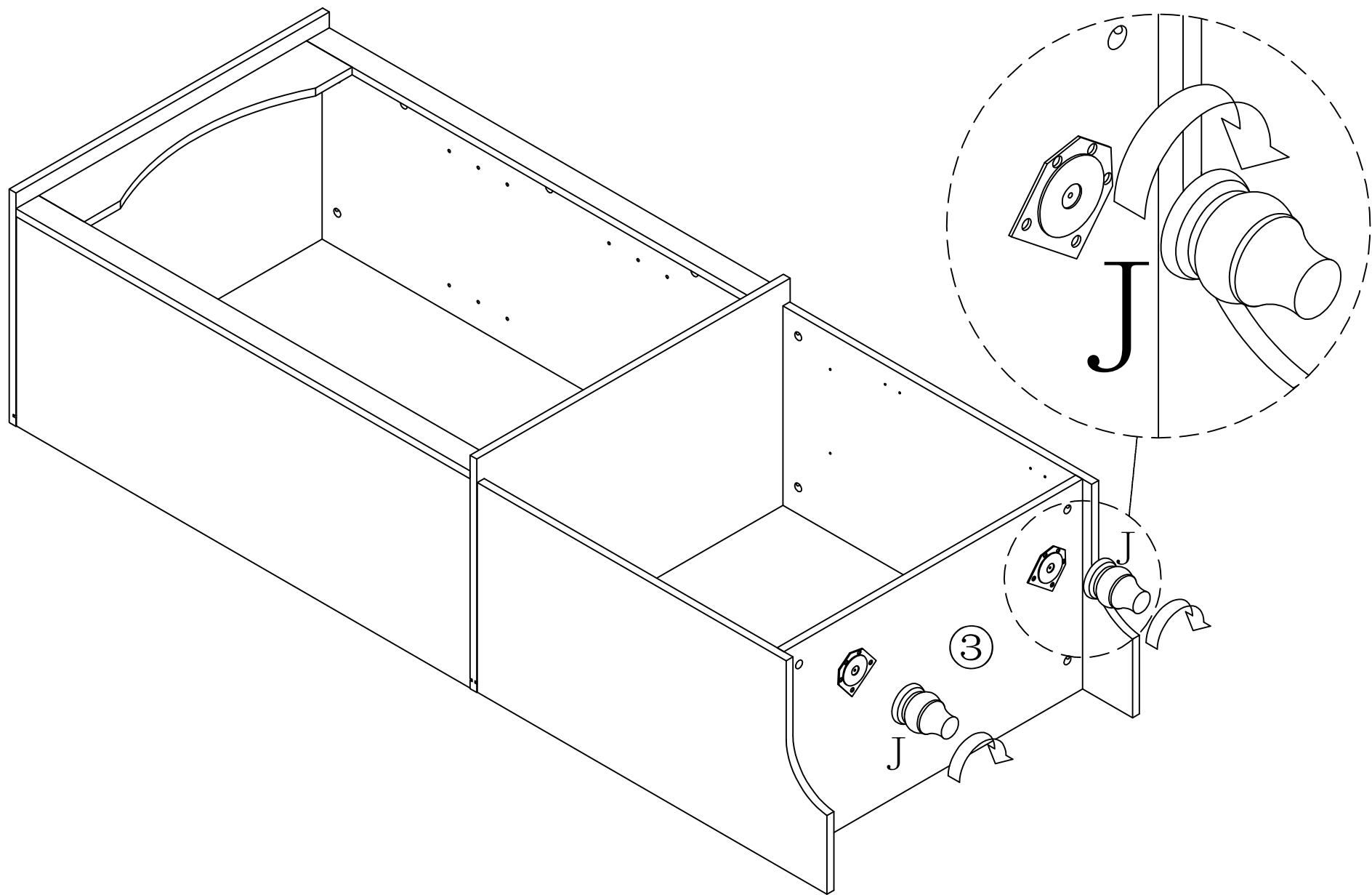
8



B\*4

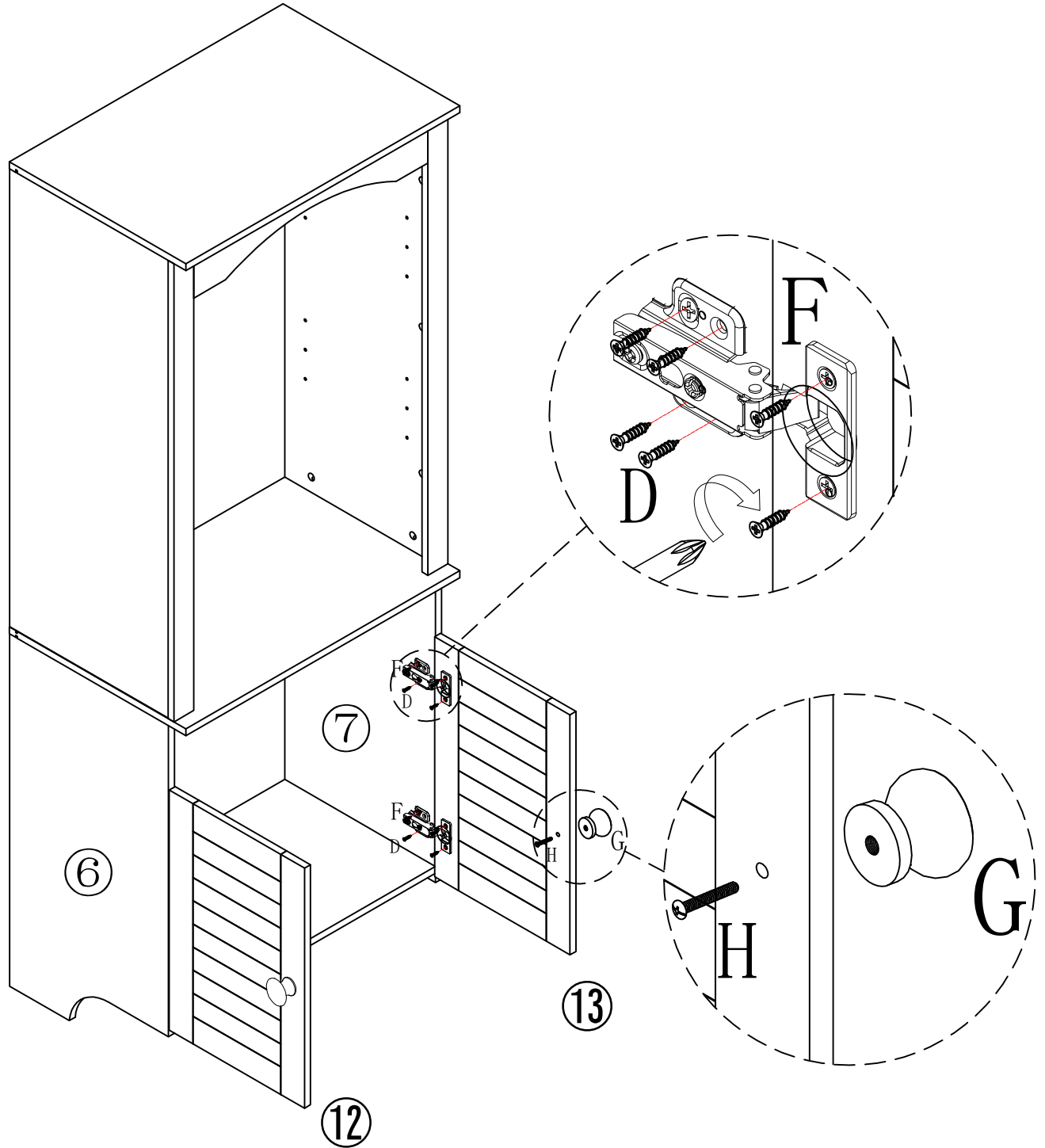
put B on board 6 7


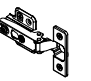


9



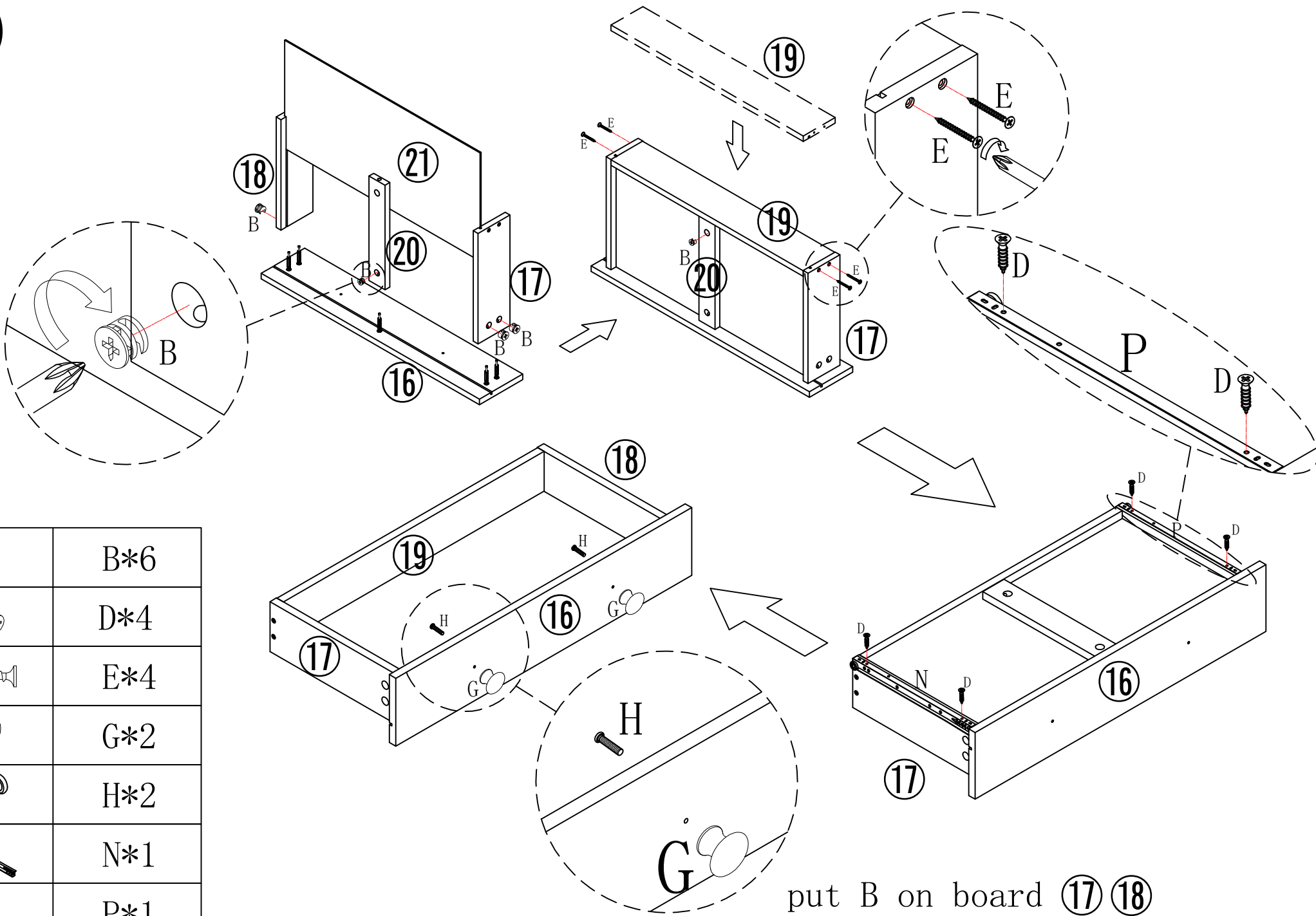
J\*2



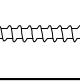




10



	D*24
	F*4
	G*2
	H*2

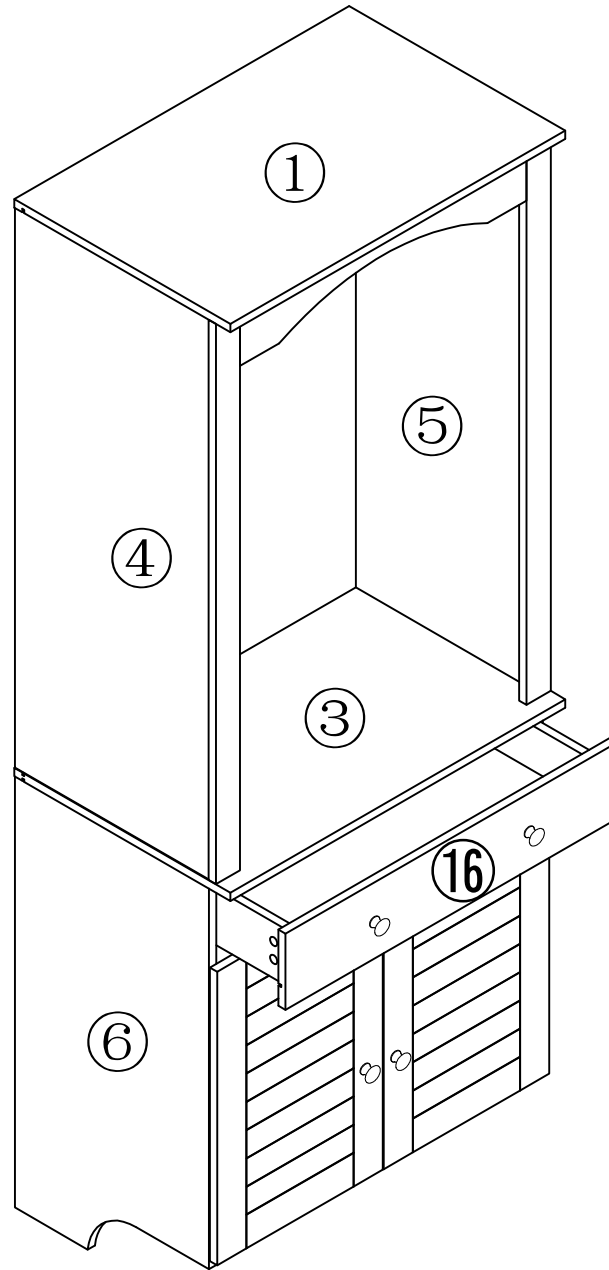
# 11



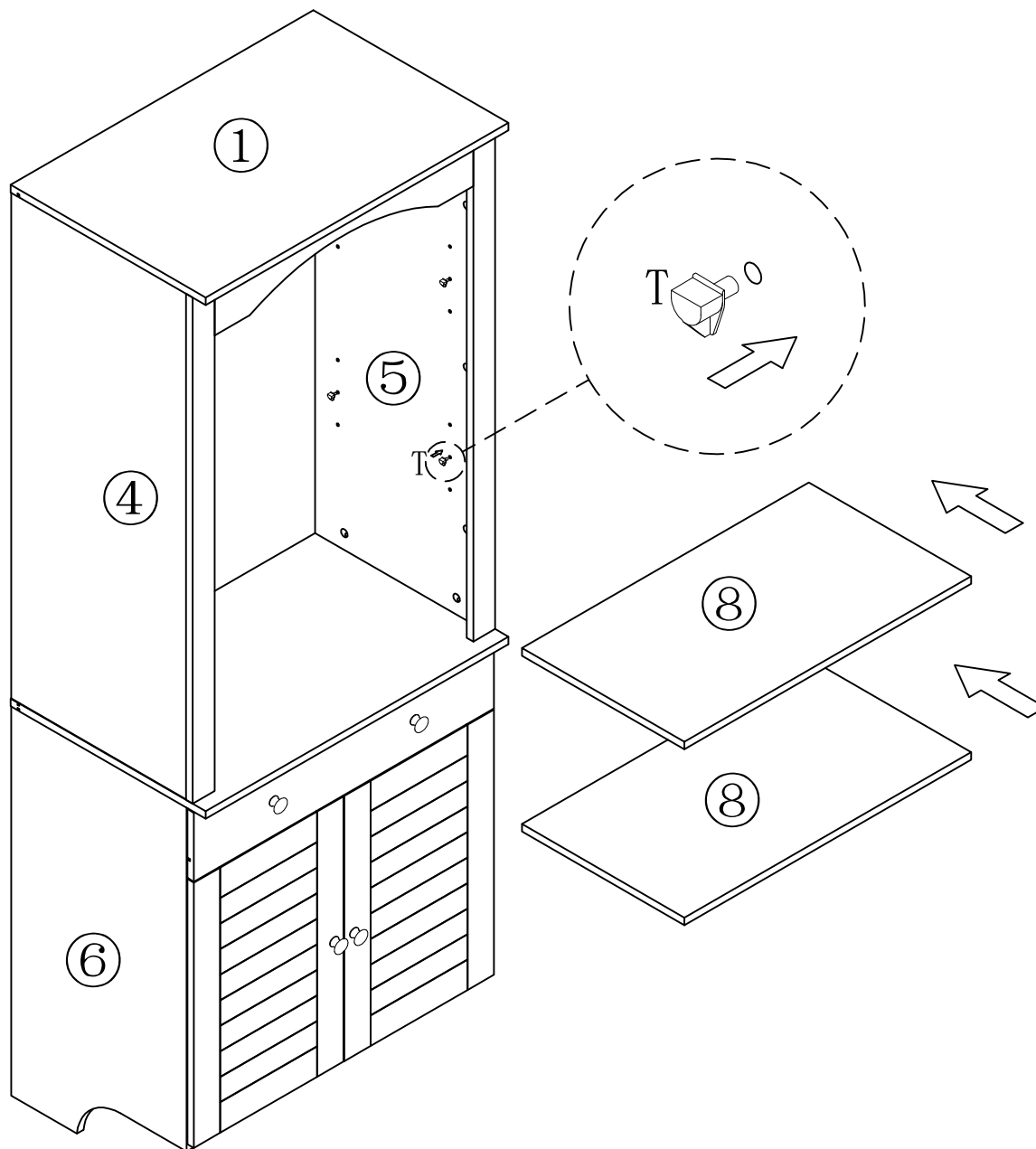
	B*6
	D*4
	E*4
	G*2
	H*2
	N*1
	P*1

put B on board 17 18

12

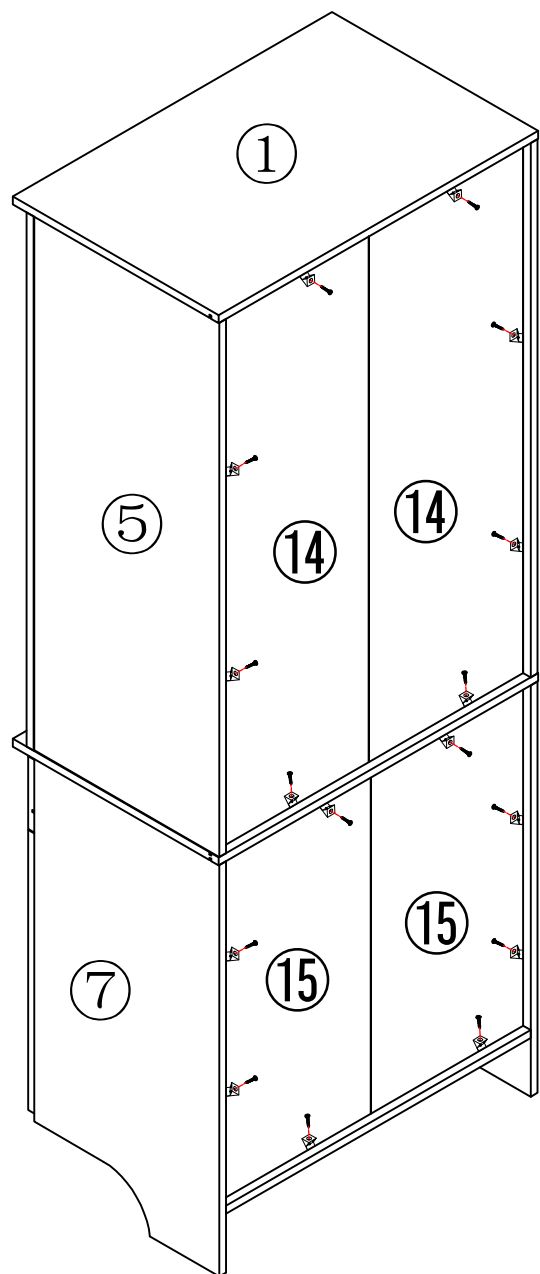


13



T\*8

14

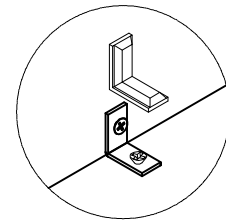
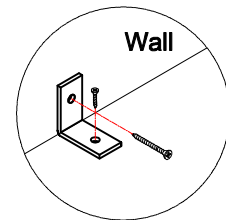
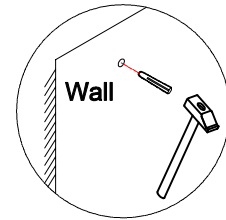
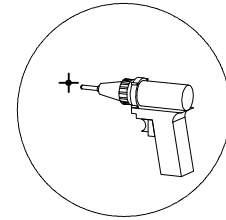
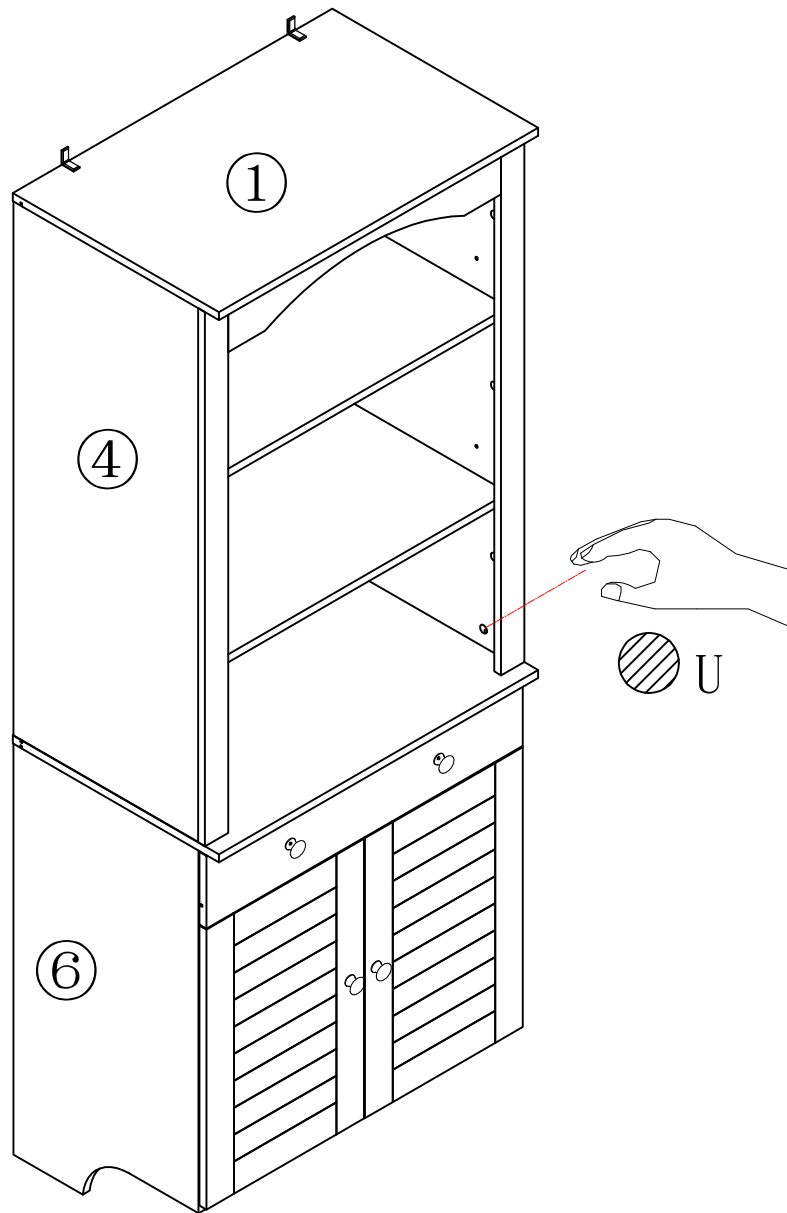


R\*16

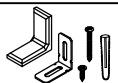


S\*16

15



Please install tip-proof fitting.

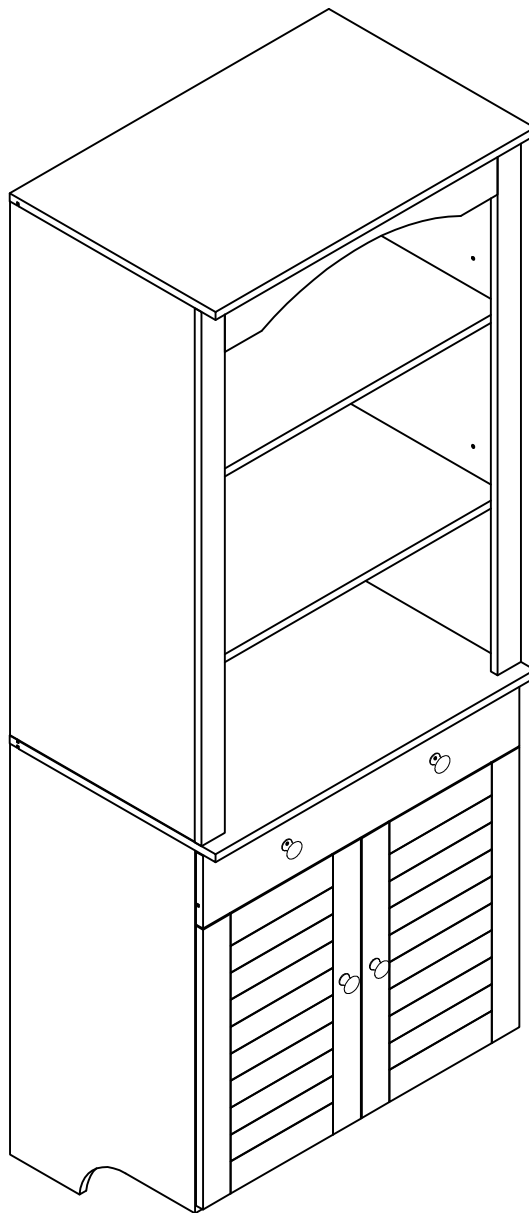


N\*2



U\*10

16



END