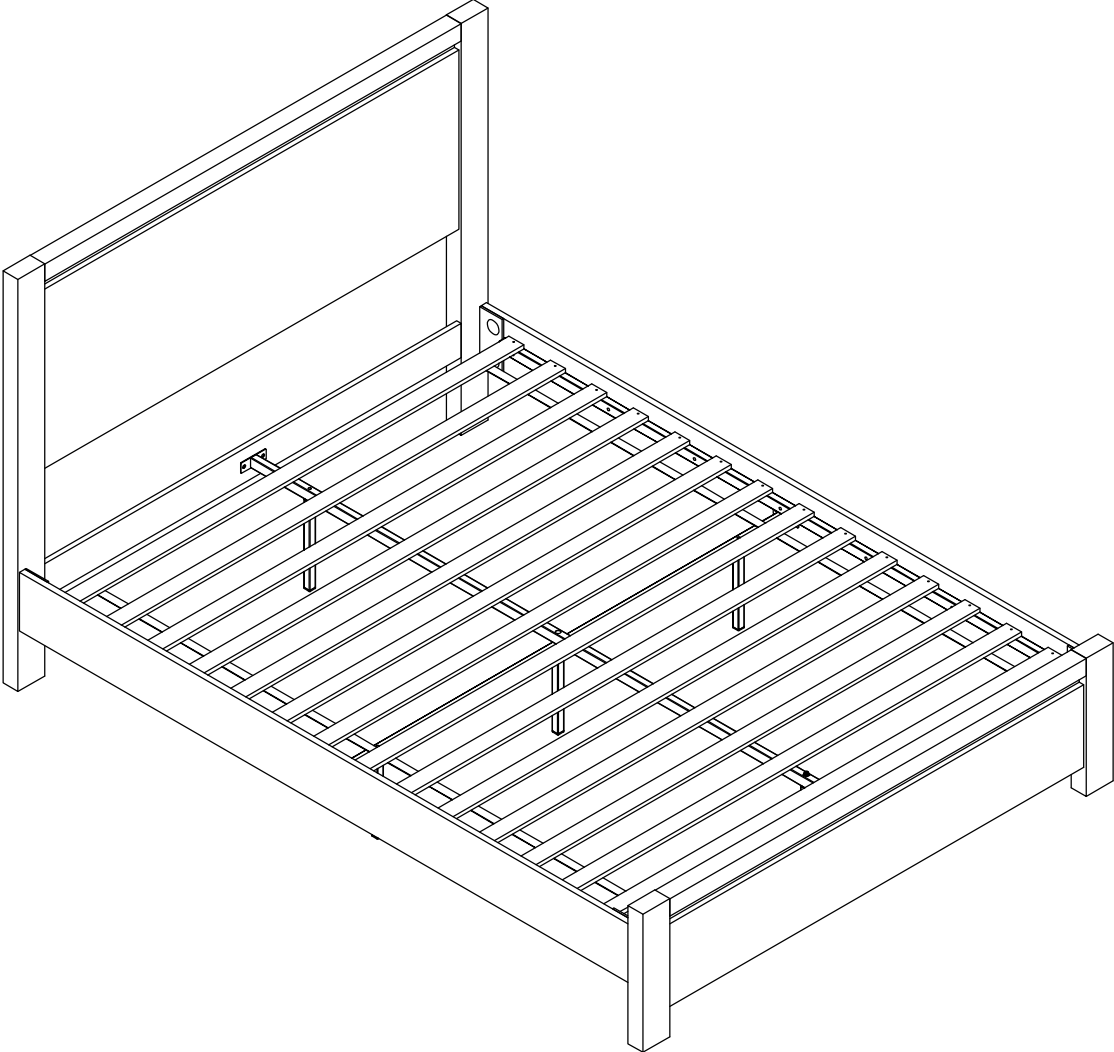
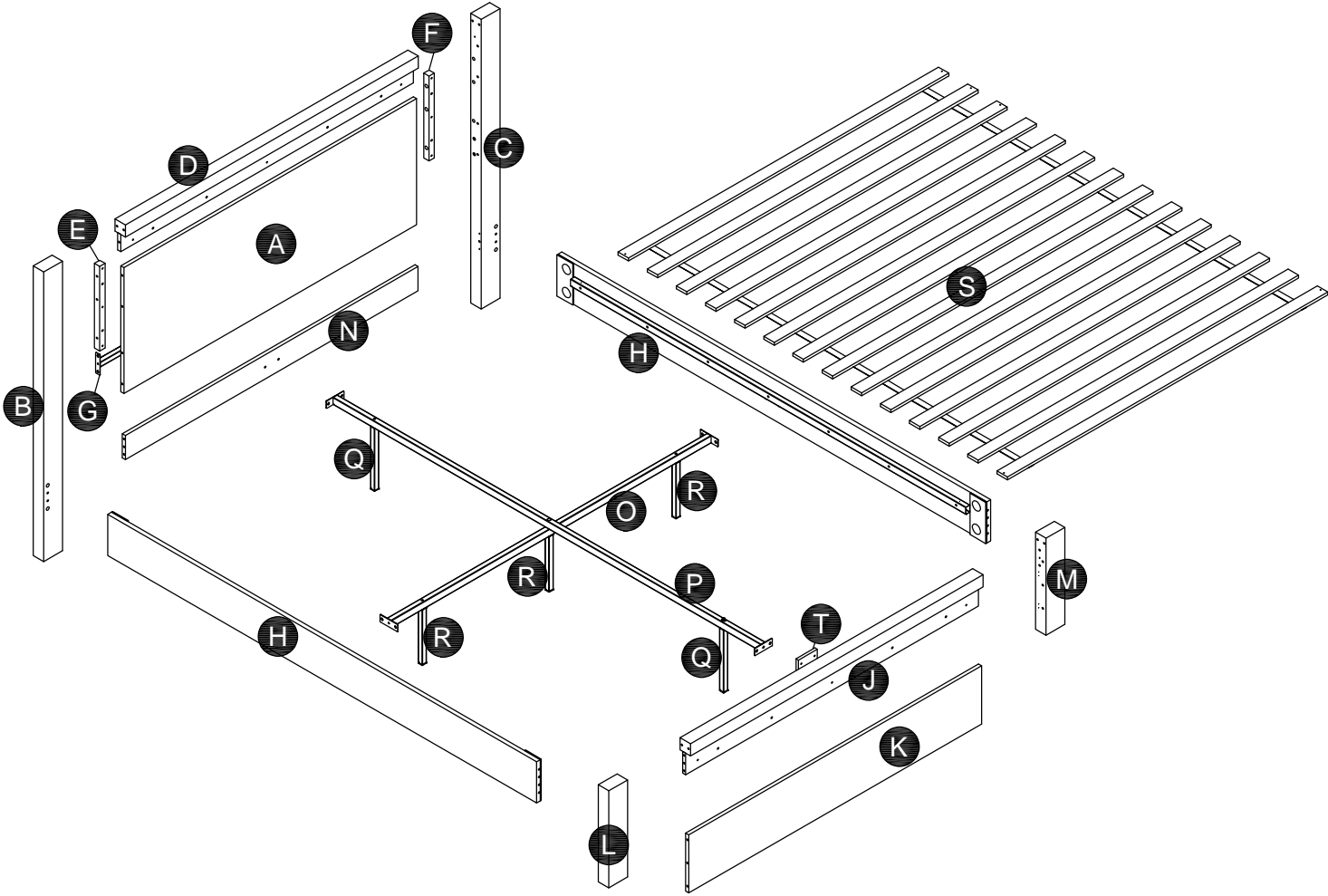


B2503N-Q1  
B2503W-Q1

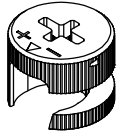


# Part Identification



# Hardware Identiflcation

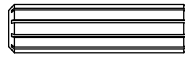
① HIDDEN CAM A -8



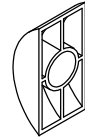
② CAM SCREW A -8



③ WOOD DOWEL Ø8x30mm - 4



④ HAIF MOON WASHERS - 8



⑤ NUTS -8



⑥ SPRING WASHERS -8



⑦ BIG BOTS 80MM -8



⑧ COVER- 8



⑨ WOOD DOWEL Ø8x40mm - 36



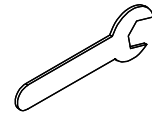
⑩ FIAT WASHERS - 26



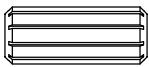
⑪ SPRING WASHERS -26



⑫ WRENCH - 1



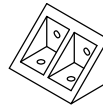
⑬ WOOD DOWEL Ø8x20mm - 9



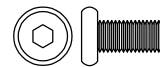
⑭ ALLEN KEY -1



⑮ PLASTIC CORNER CODE -4



⑯ BOLTS M6\*16MM -12



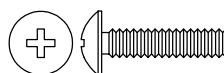
⑰ BOLTS M6\*35MM -9



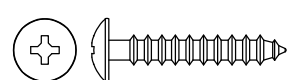
⑱ BOLTS M6\*55MM - 5



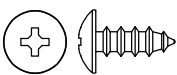
⑲ GRUB SCREW M4\*22MM -4



⑳ ROUND HEAD SCREW #8\*7/8" -16



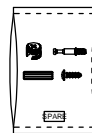
㉑ ROUND HEAD SCREW-16  
#8\*1/2"



㉒ FELT MAT- 4



㉓ SPARE-1

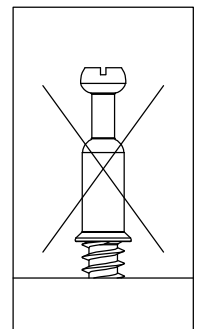
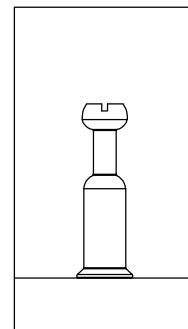
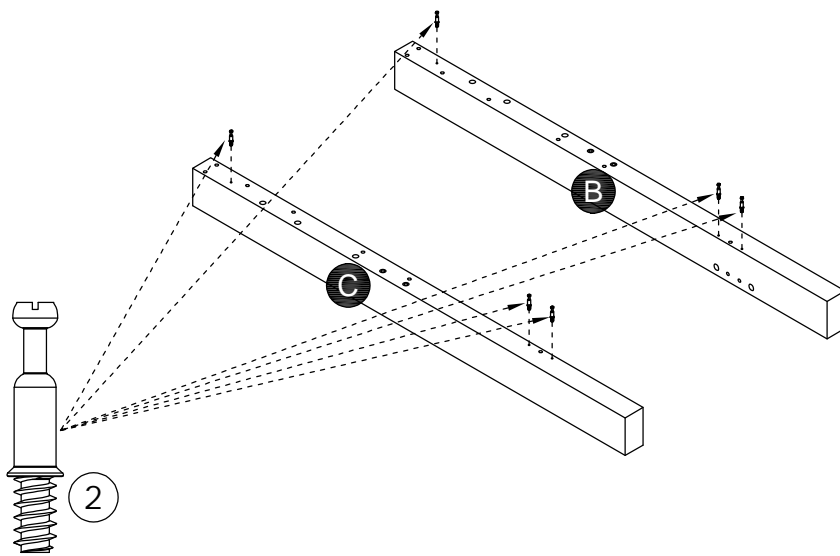
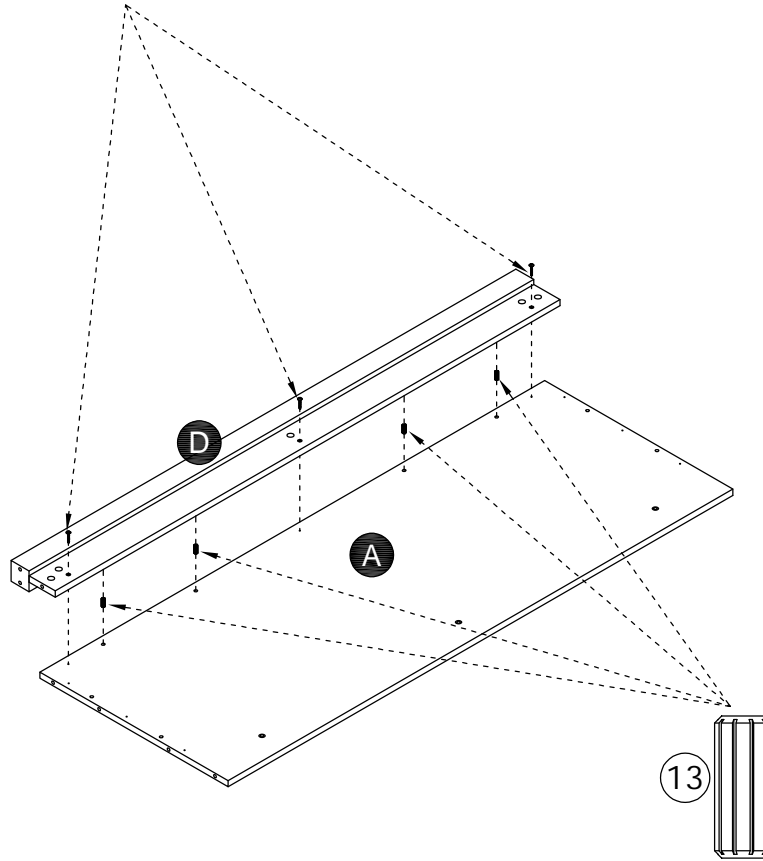
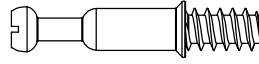
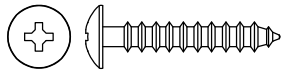
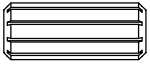


# STEP 1

13 WOOD  
DOWEL Ø8x20mm - 4

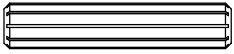
20 ROUND HEAD  
SCREW #8\*7/8" -3

2 CAM  
SCREW A -6

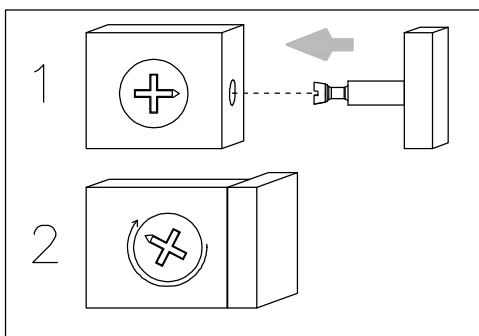
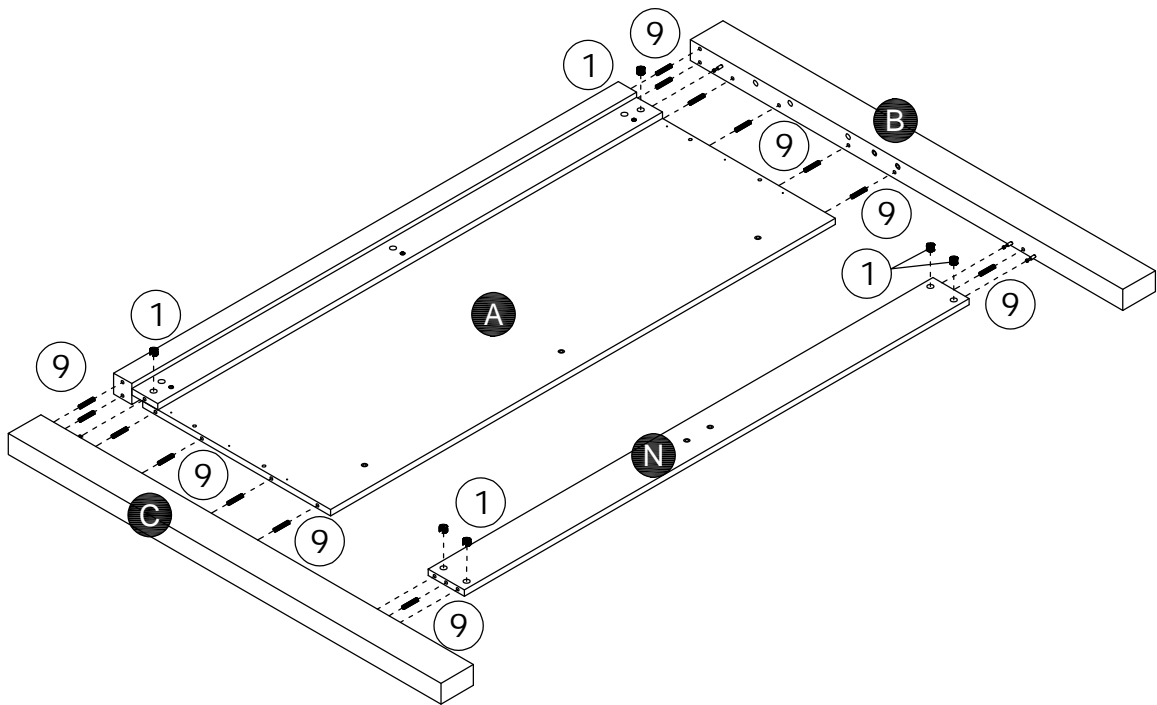


# STEP 2

9 WOOD  
DOWEL Ø8x40mm -14



1 HIDDEN  
CAM A -6

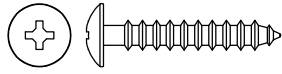


# STEP 3

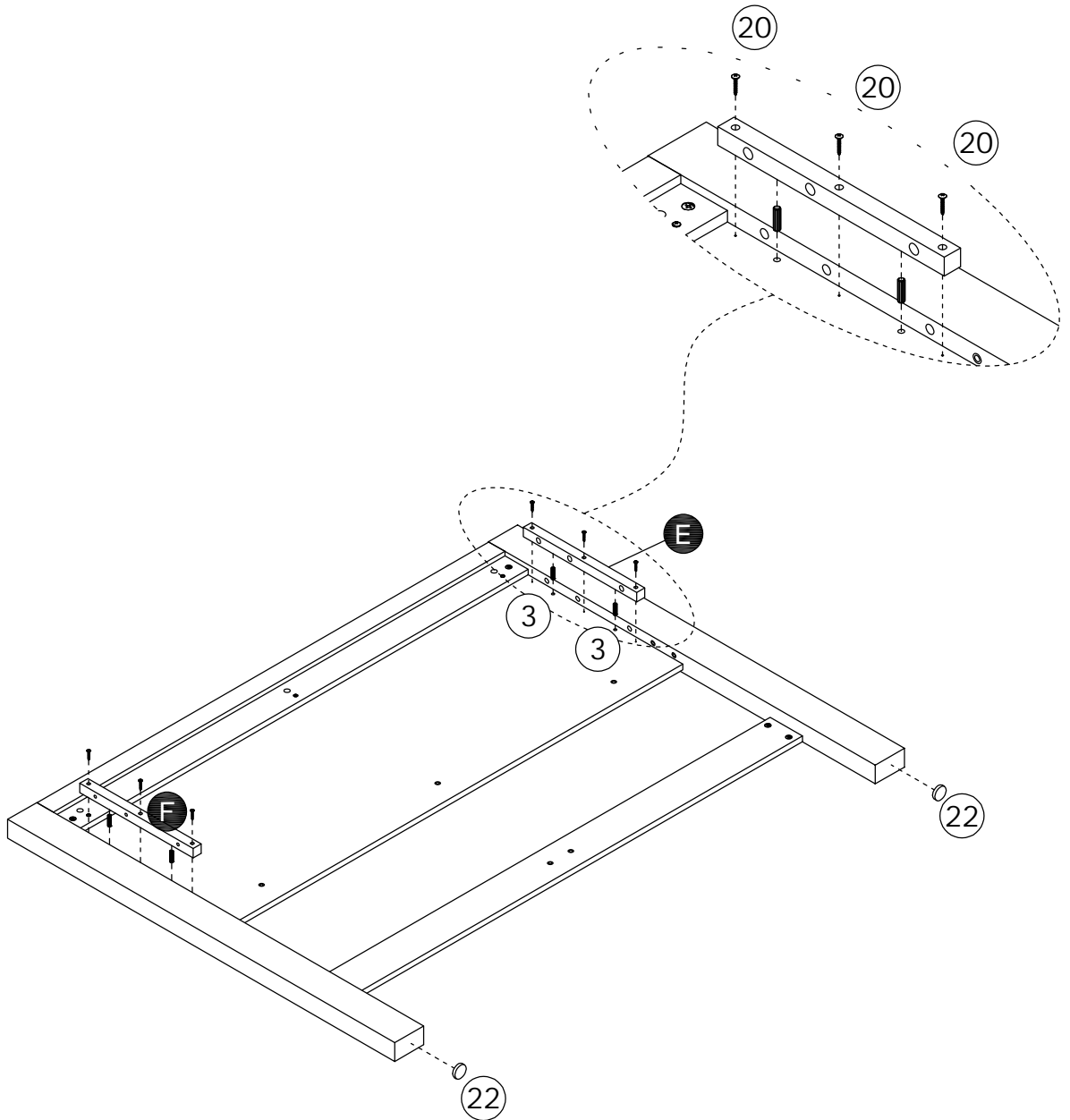
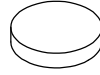
3 WOOD  
DOWEL Ø8x30mm -4



20 ROUND HEAD  
SCREW #8\*7/8" -6



22 FELT MAT - 2



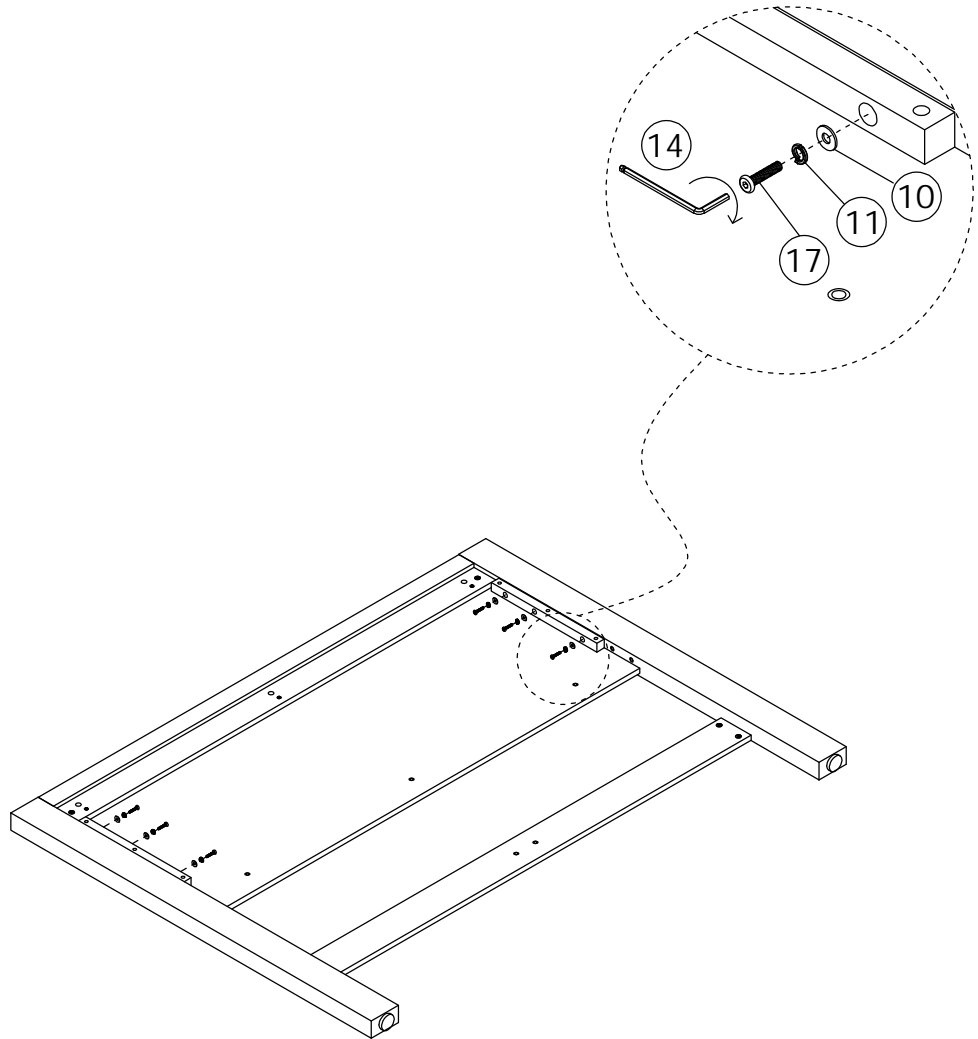
# STEP 4

17 BOLTS M6\*35MM -6

10 FIAT WASHERS -6

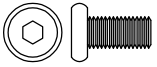
11 SPRING WASHERS -6

14 ALLEN KEY -1



# STEP 5

16 BOLTS M6\*16MM - 4



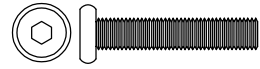
10 FIAT WASHERS - 7



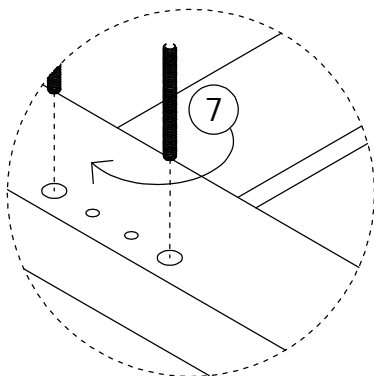
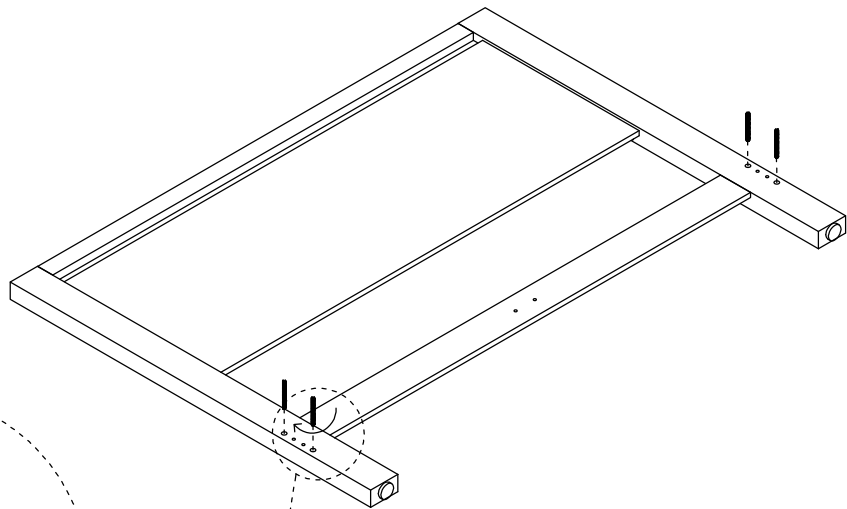
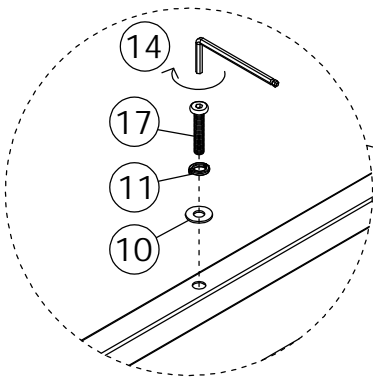
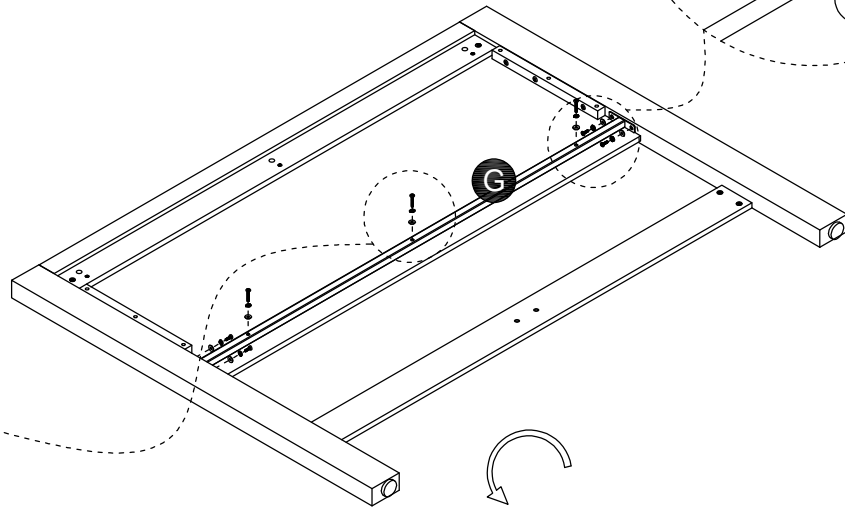
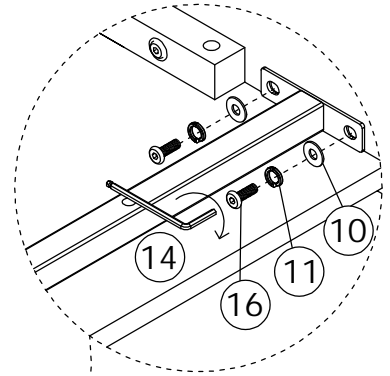
11 SPRING WASHERS - 7



17 BOLTS M6\*35MM - 3



7 BIG BOTS 80MM-4

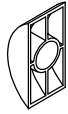


# STEP 6

9 WOOD  
DOWEL Ø8x40mm -4



4 HAIF MOON  
WASHERS - 4



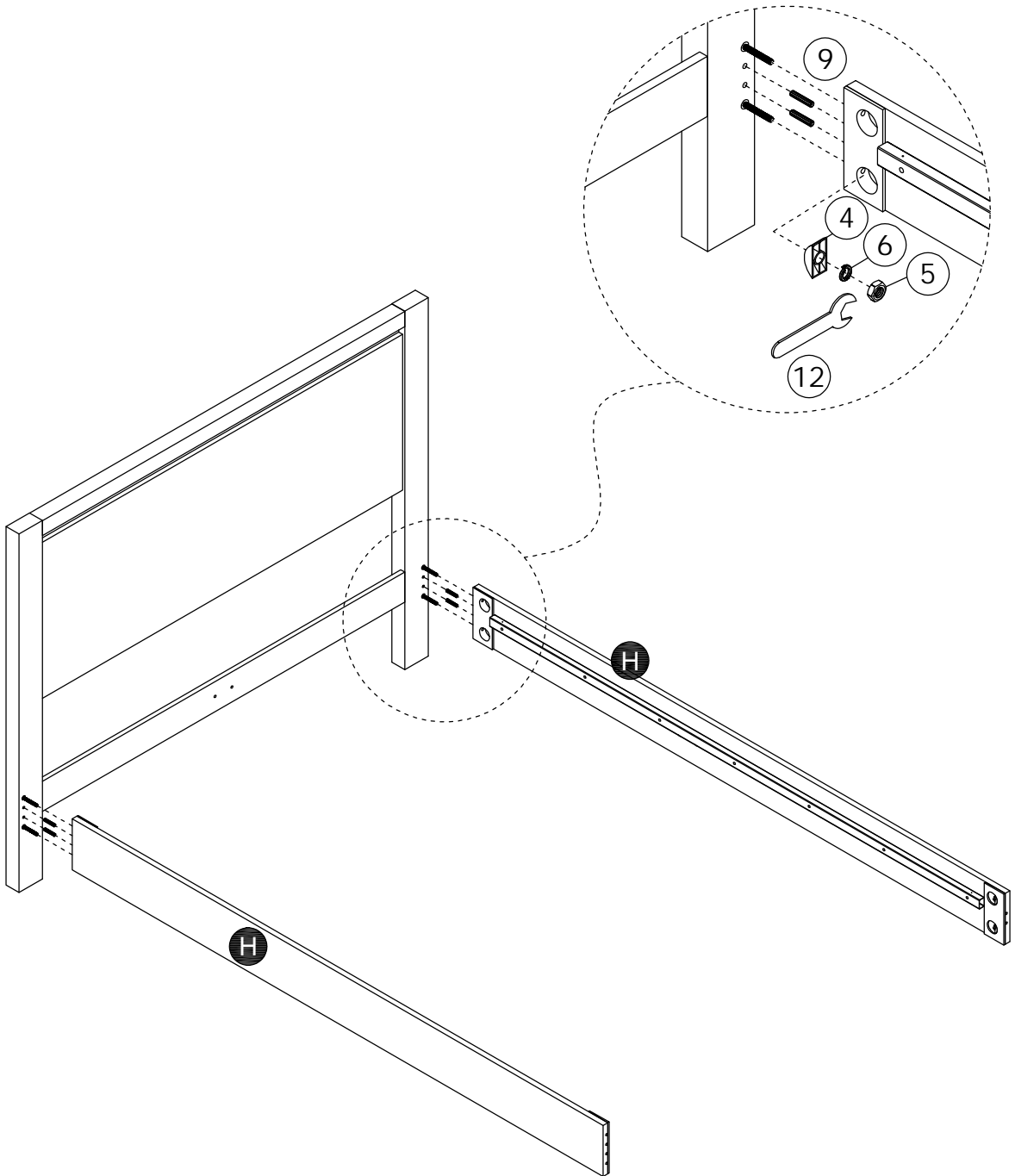
5 NUTS - 4



6 SPRING  
WASHERS - 4



12 WRENCH - 1

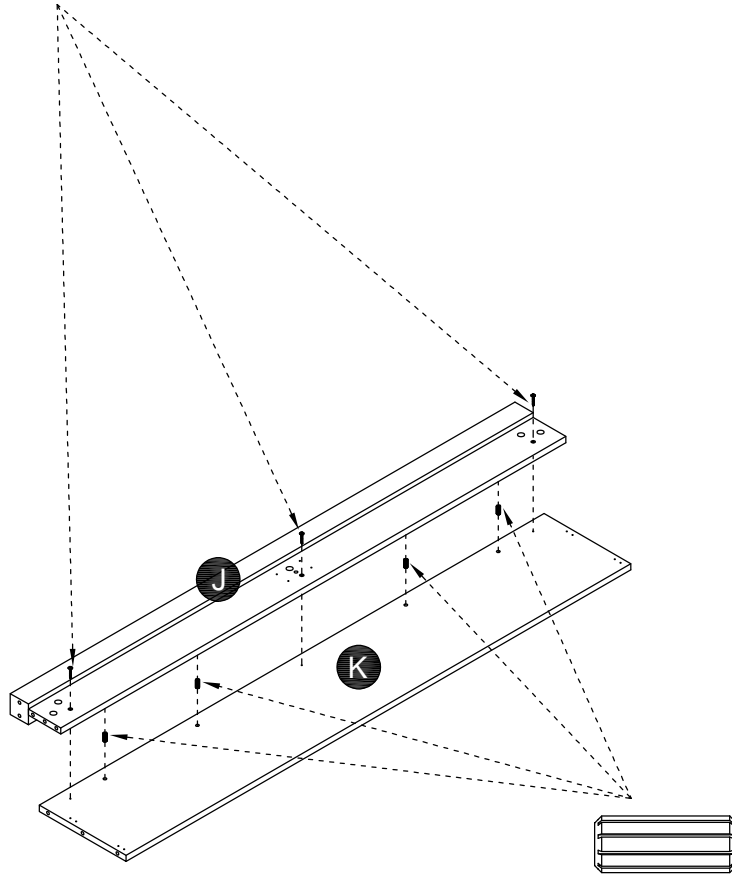
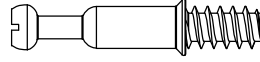
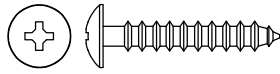
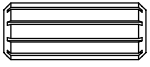


# STEP 7

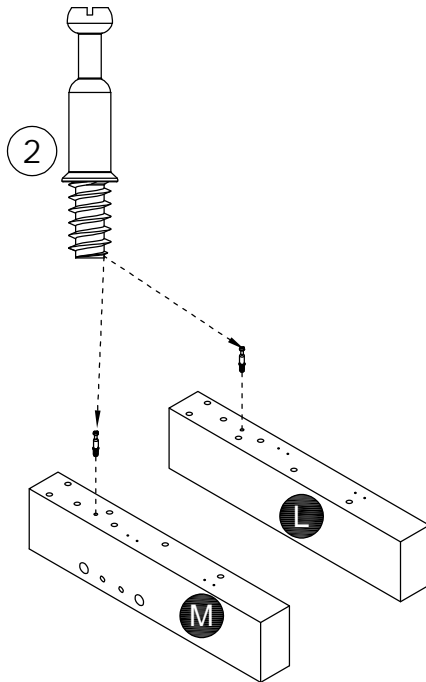
13 WOOD  
DOWEL Ø8x20mm - 4

20 ROUND HEAD  
SCREW #8\*7/8" -3

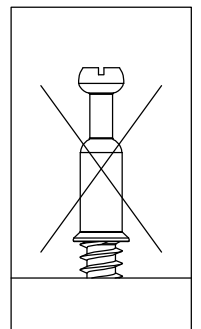
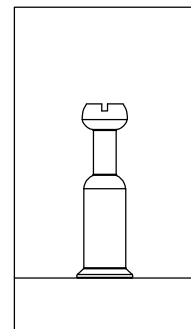
2 CAM  
SCREW A -2



13



2

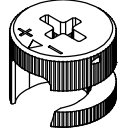


# STEP 8

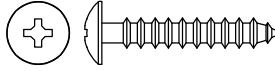
9 WOOD  
DOWEL Ø8x40mm -14



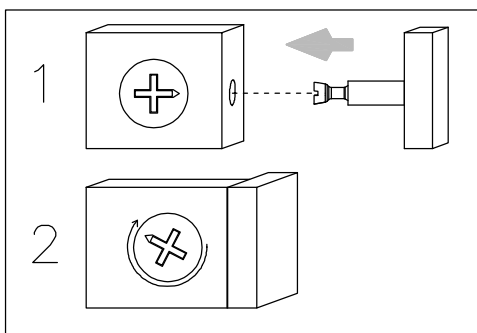
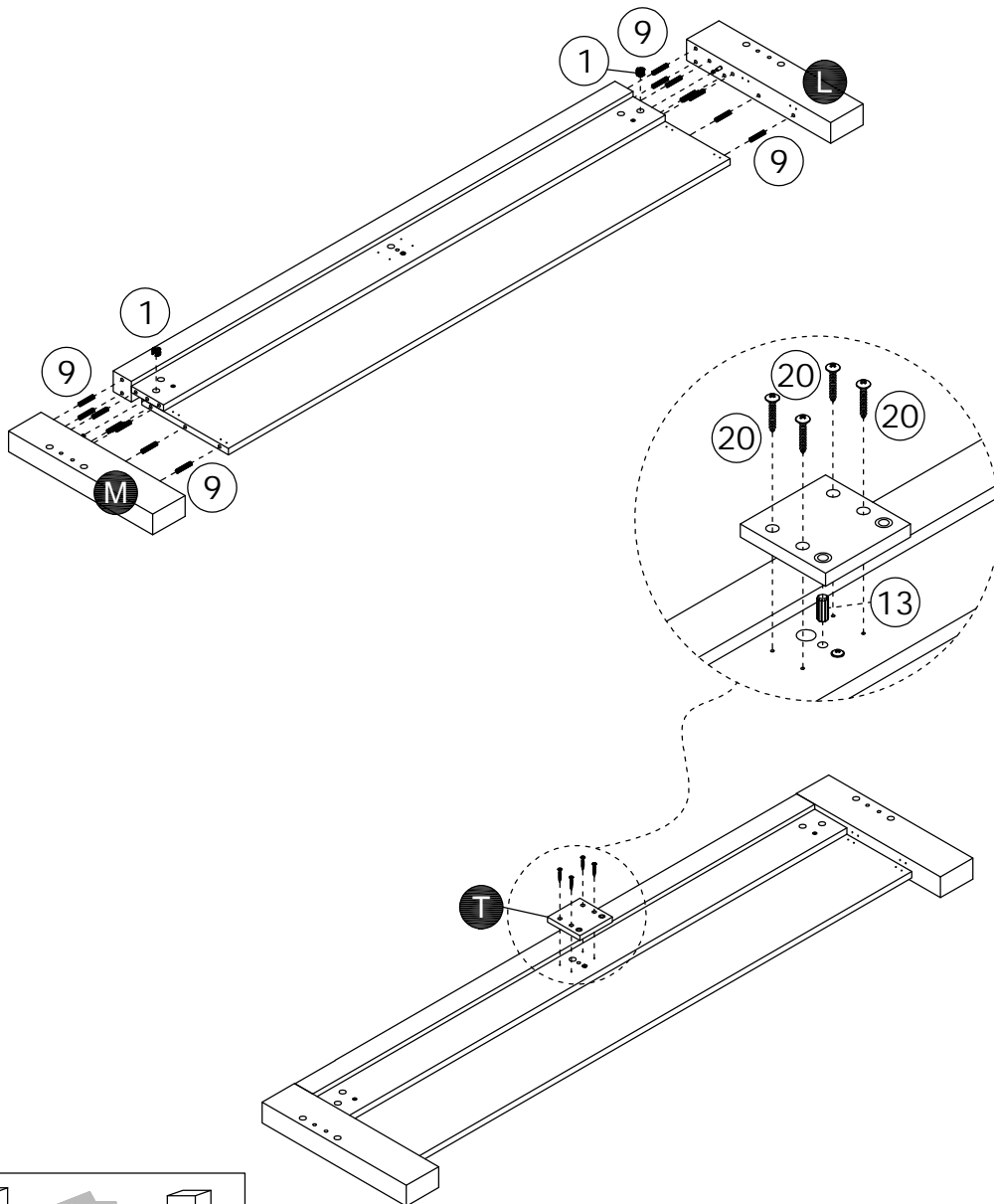
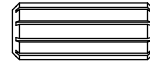
1 HIDDEN  
CAM A -2



20 ROUND HEAD  
SCREW #8\*7/8" -4

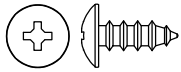


13 WOOD  
DOWEL Ø8x20mm - 1

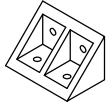


# STEP 9

21 ROUND HEAD SCREW-16  
#8\*1/2"



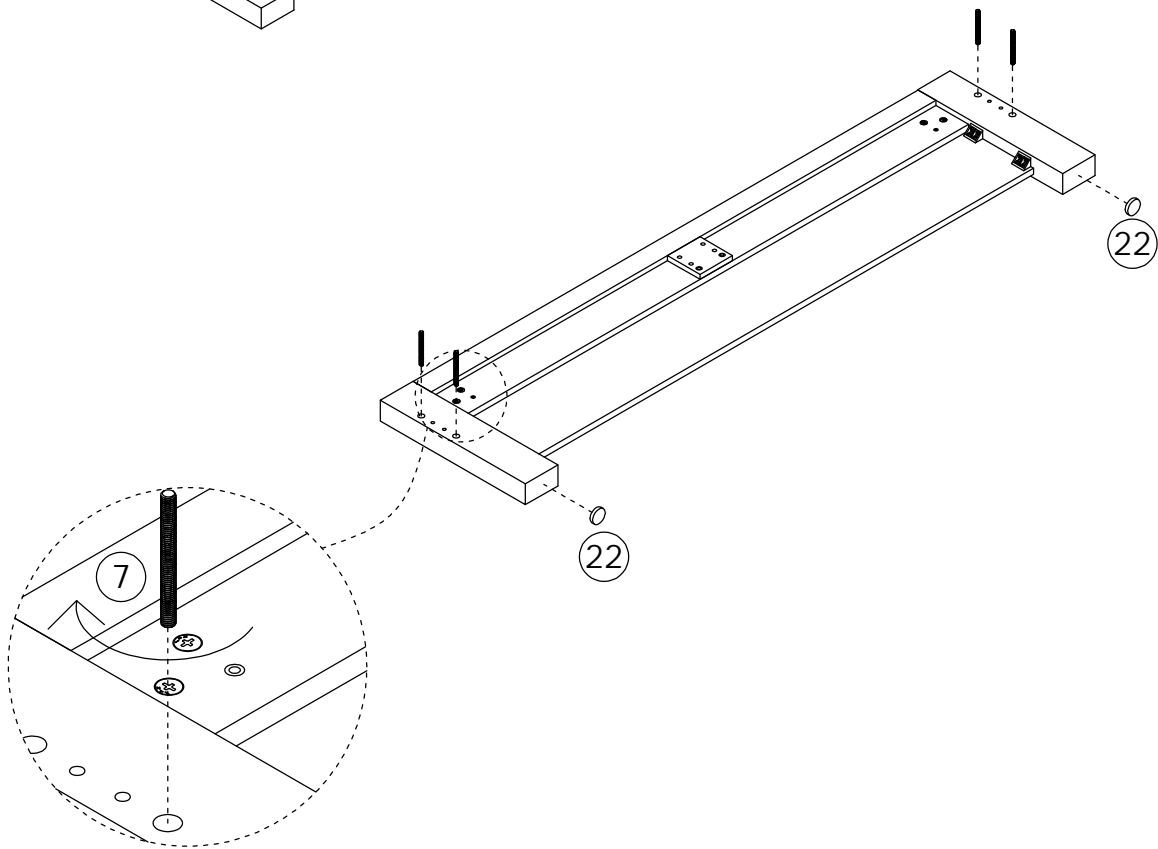
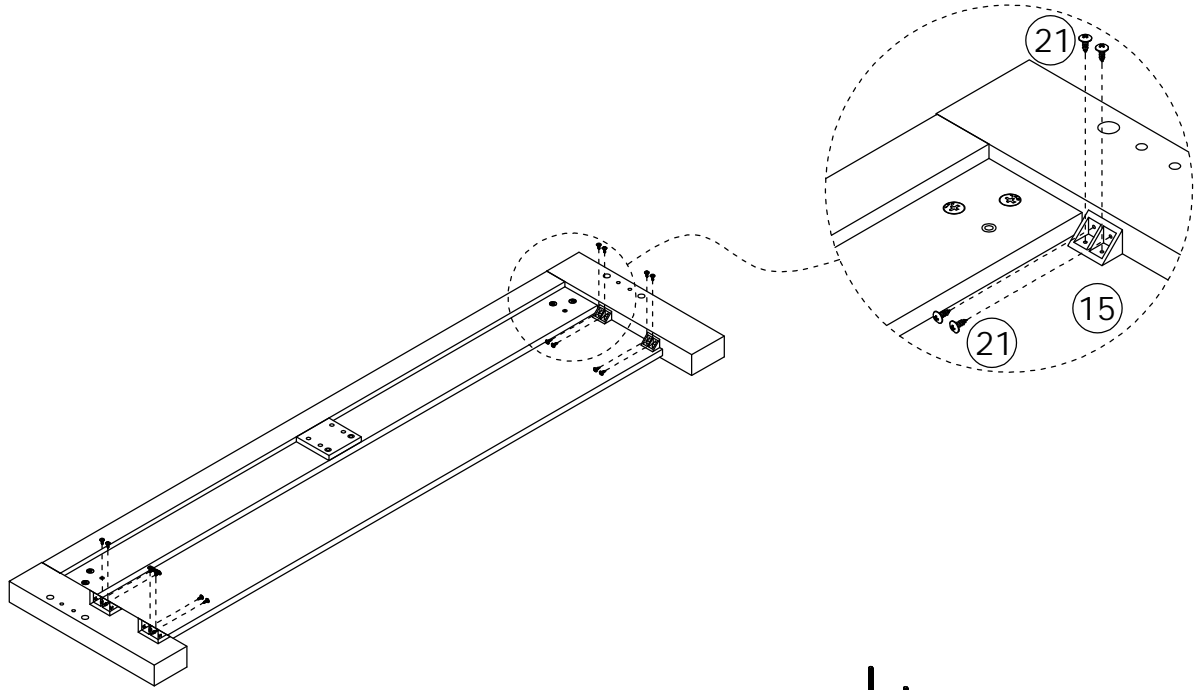
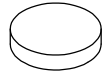
15 PLASTIC  
CORNER CODE -4



7 BIG BOTS 80MM -4



22 FELT MAT- 2



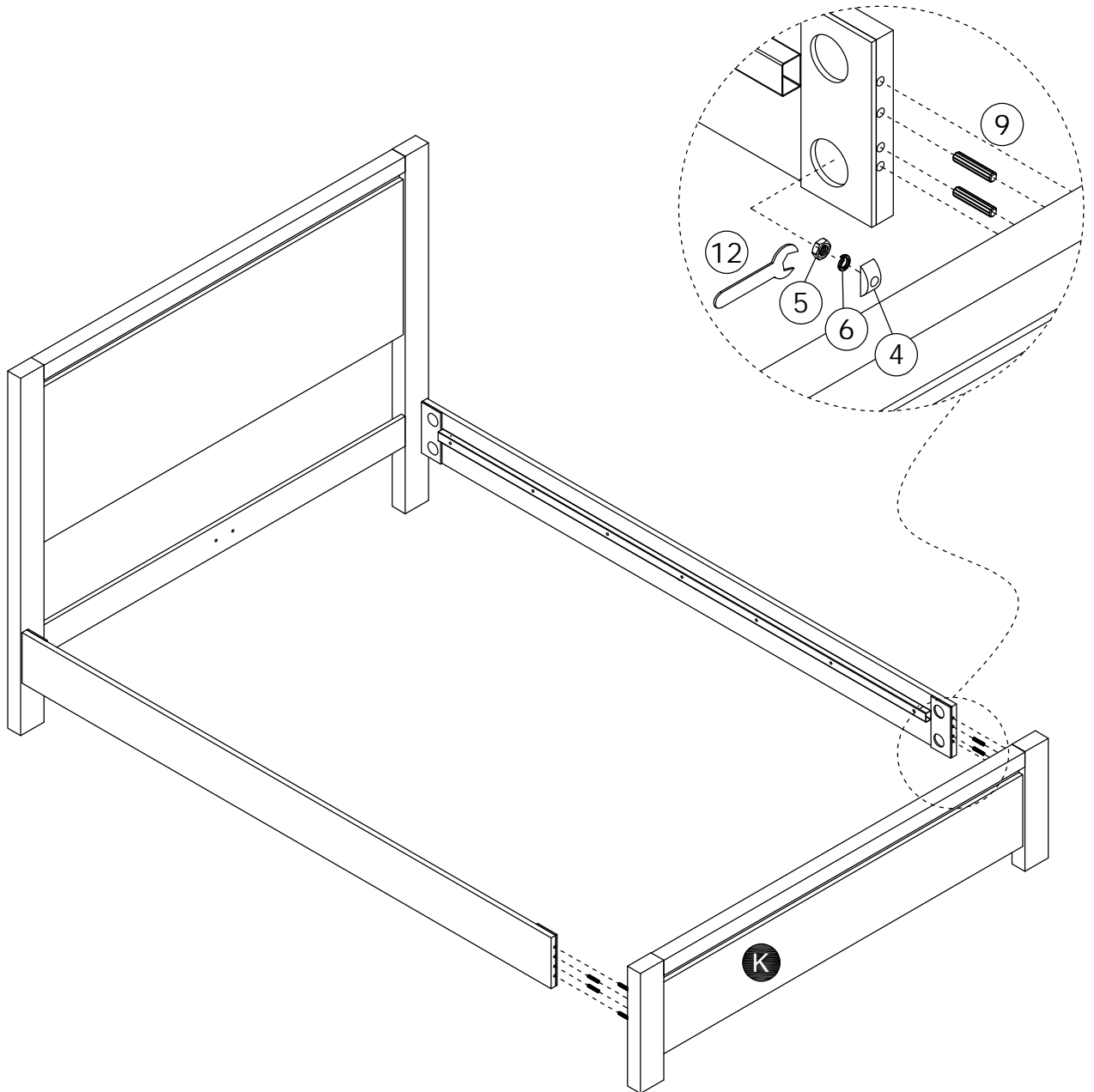
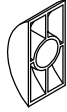
# STEP 10

9 WOOD  
DOWEL Ø8x40mm -4

4 HAIF MOON  
WASHERS - 4

5 NUTS - 4

6 SPRING  
WASHERS - 4

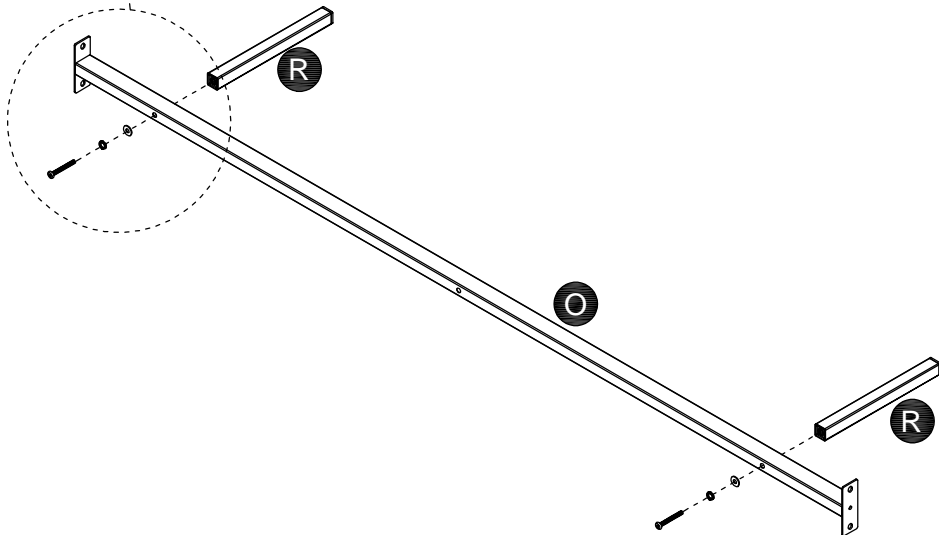
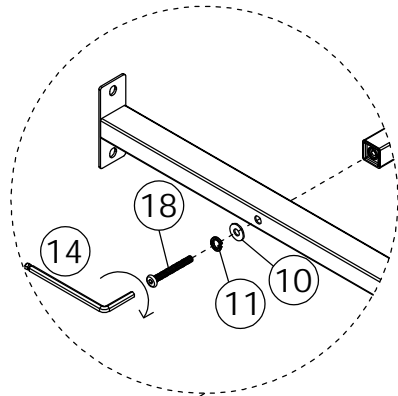
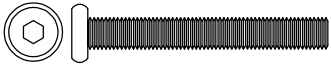


# STEP 11

18 BOLTS M6\*55MM -2

10 FIAT WASHERS -2

11 SPRING WASHERS -2

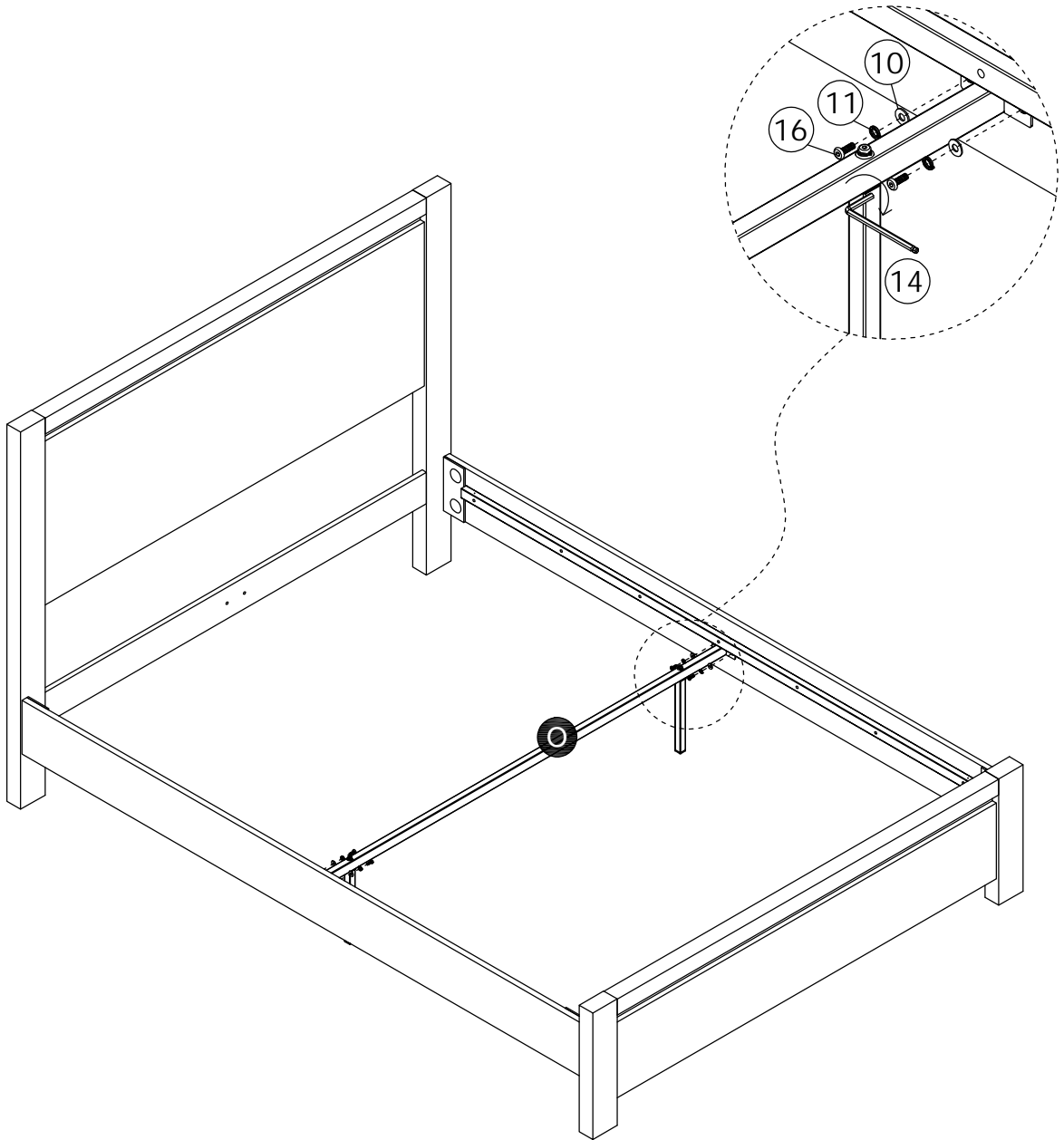
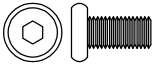


# STEP 12

16 BOLTS M6\*16MM - 4

10 FIAT WASHERS - 4

11 SPRING WASHERS - 4

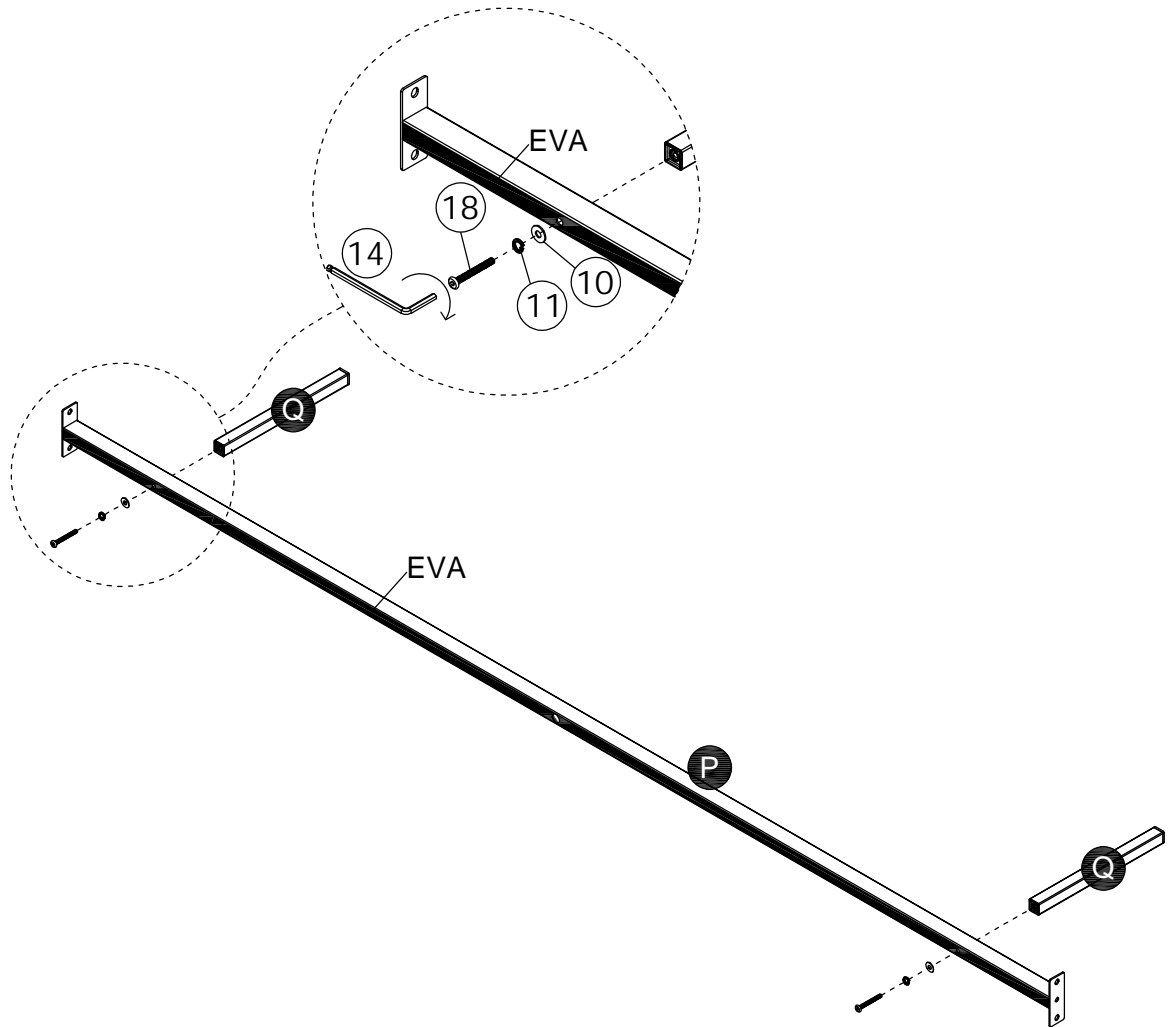


# STEP 13

18 BOLTS M6\*55MM -2

10 FIAT WASHERS -2

11 SPRING WASHERS -2

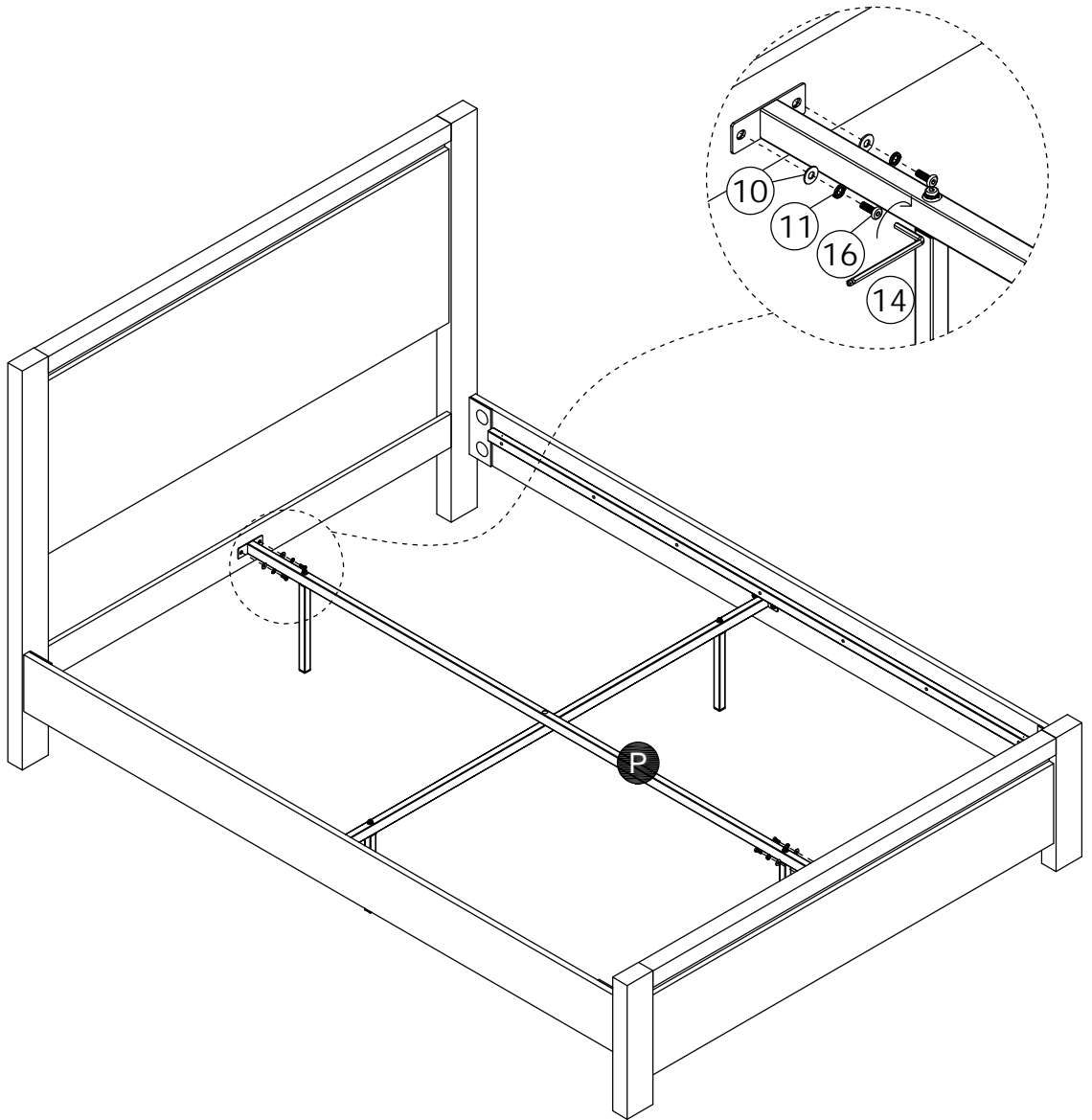
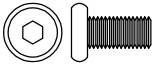


# STEP 14

16 BOLTS M6\*16MM - 4

10 FIAT WASHERS - 4

11 SPRING WASHERS - 4

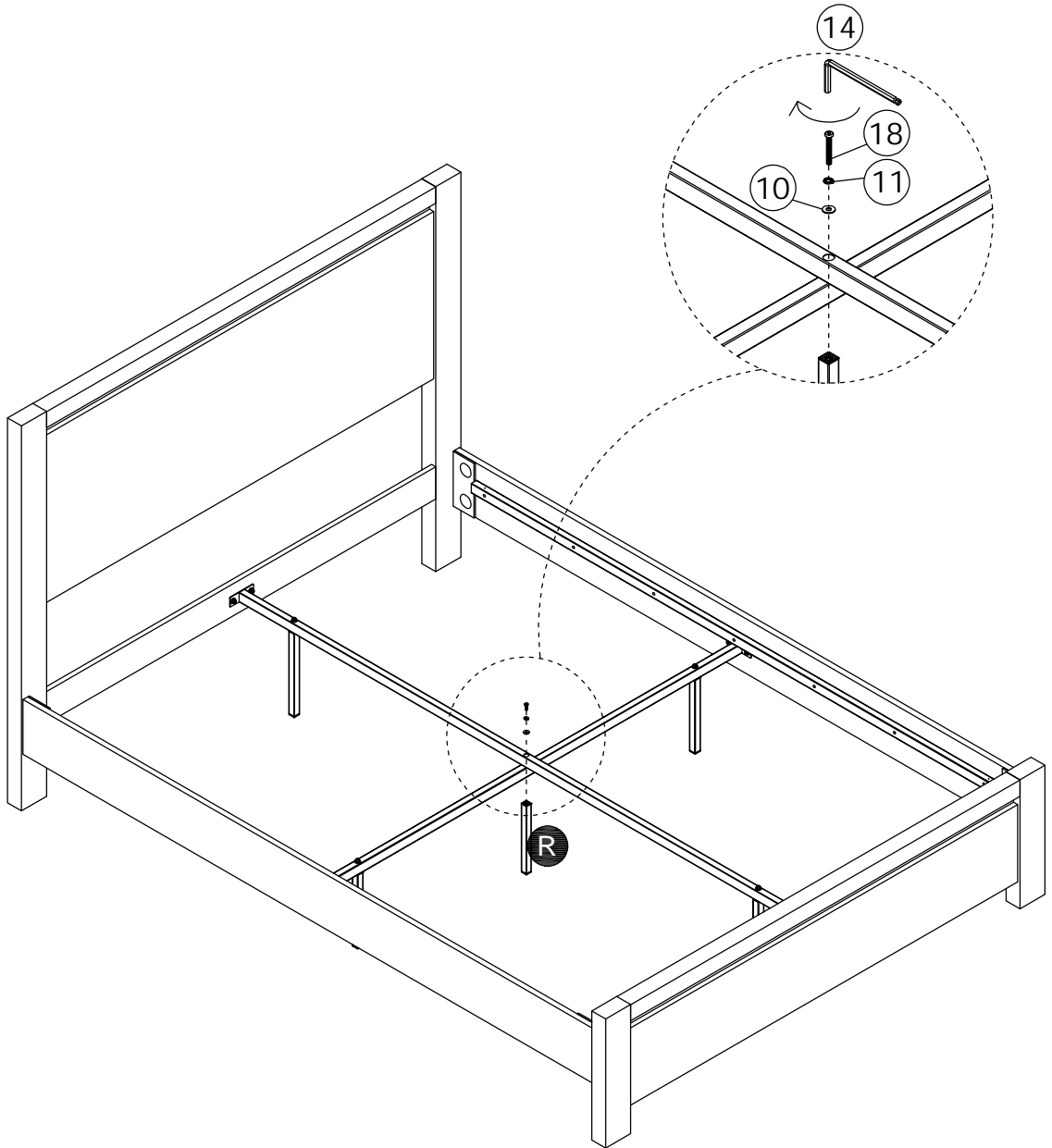


# STEP 15

18 BOLTS M6\*55MM - 1

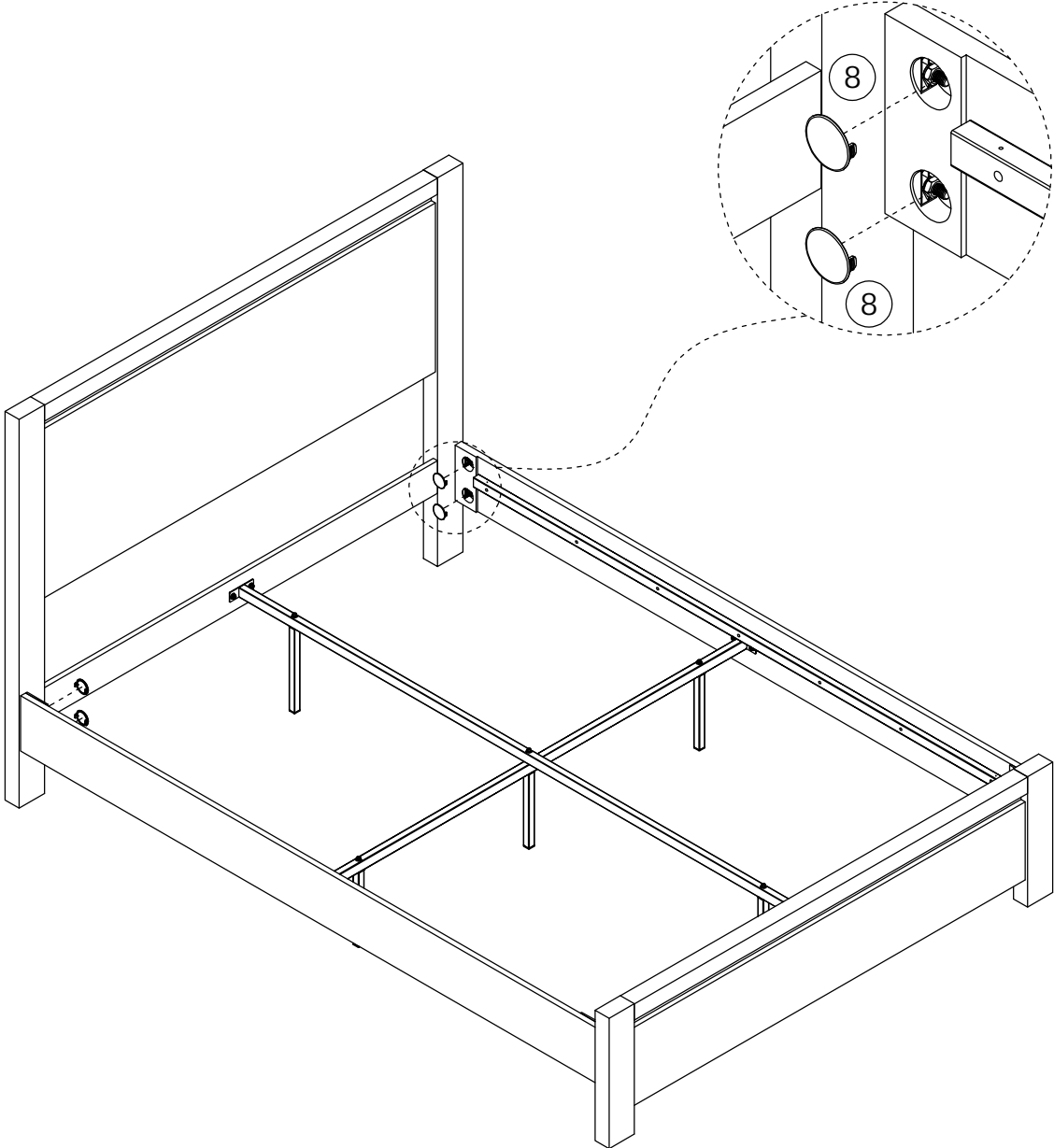
10 FIAT WASHERS -1

11 SPRING WASHERS -1



# STEP 16

8 COVER-8



# STEP 17

19 GRUB SCREW  
M4\*22MM -4

