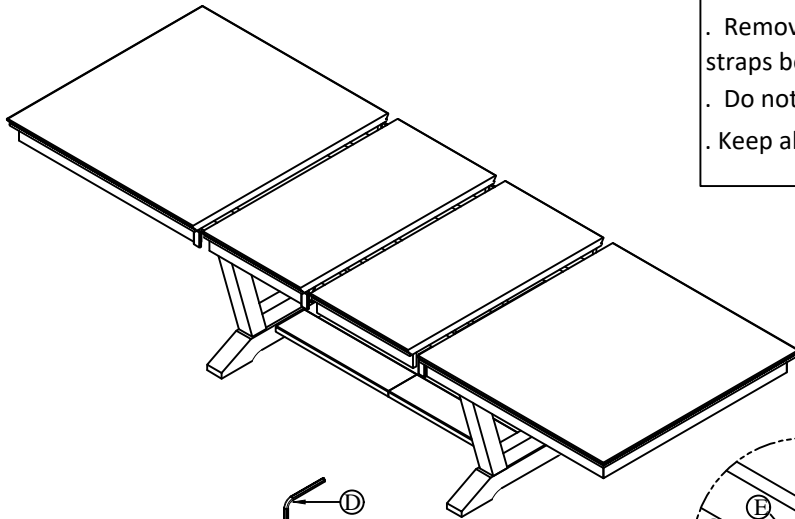


ASSEMBLY INSTRUCTION

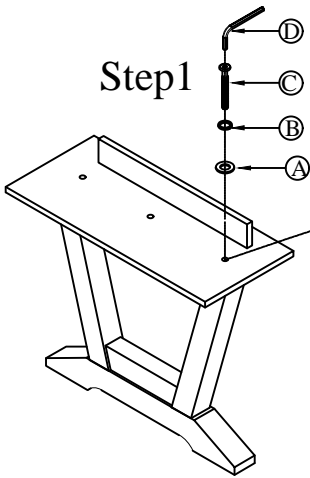
77-057 CAPRIS RECTANGULAR DINING TABLE

IMPORTANT NOTES :

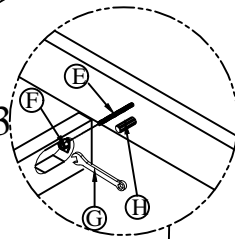
- . Place all wooden parts on a clean and smooth surface such as a rug or carpet to prevent the parts from being scratched.
- . Check to be sure that you have all parts and hardware.
- . Remove all wrapping materials, including staples and packing straps before you start to assemble.
- . Do not tighten all screws and bolts until completely assembled.
- . Keep all hardware out of the reach of children.



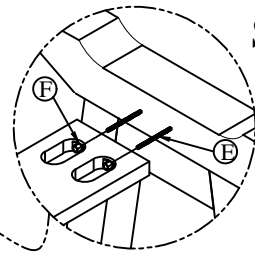
Step1



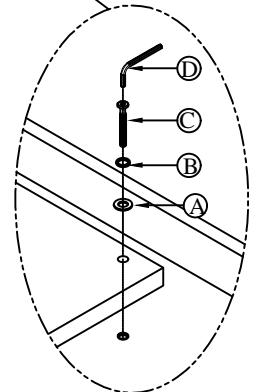
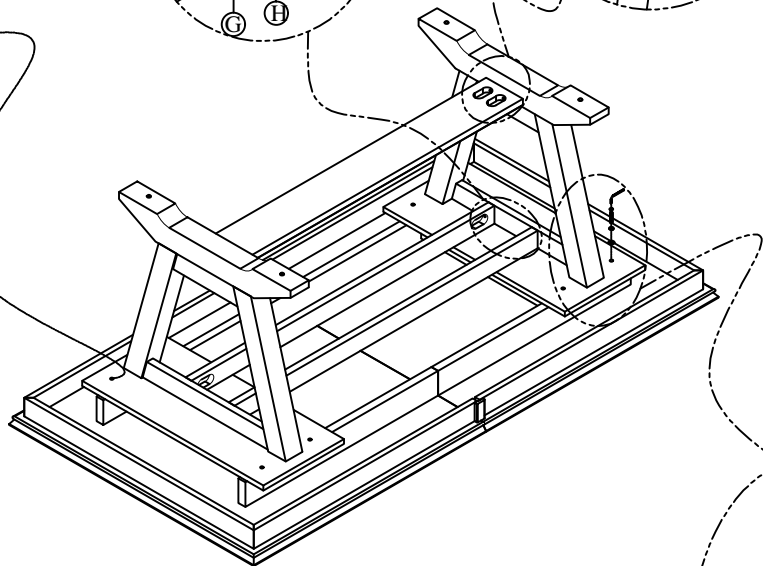
Step3



Step4



Step2



	Dimension	Shape	Quantity
A	Flat washer #5/16"*19		14pcs
B	Spring washer Ø5/16"		14pcs
C	Bolt 5/16*32mm		14pcs
D	Allen key 4mm		1pcs
E	Thread rod (5/16*88mm)		8pcs
F	Curved slotted washer (5/16")		8pcs
G	Wrench (12mm)		1pcs
H	dowel-Wood		4pcs