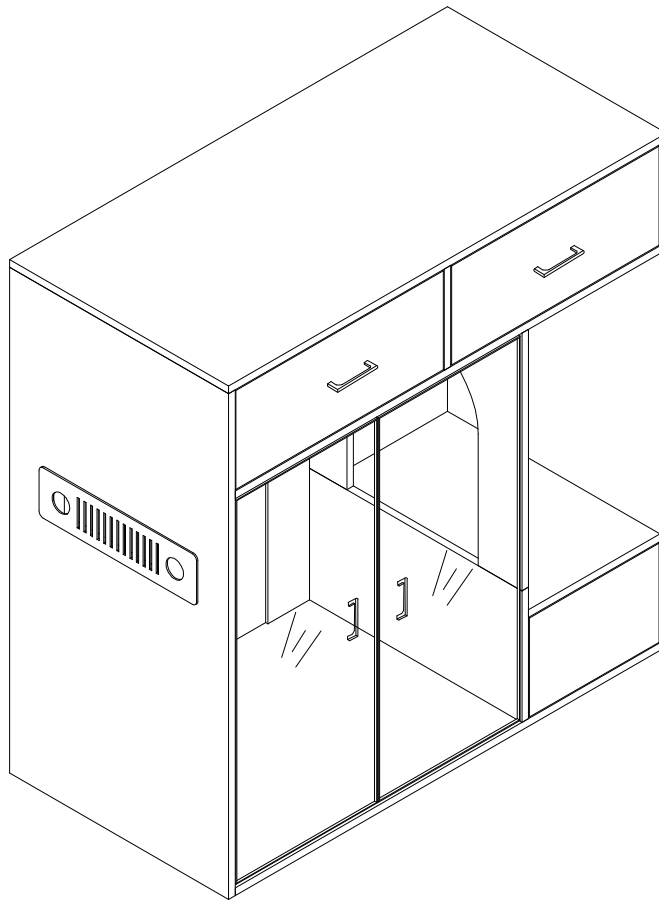
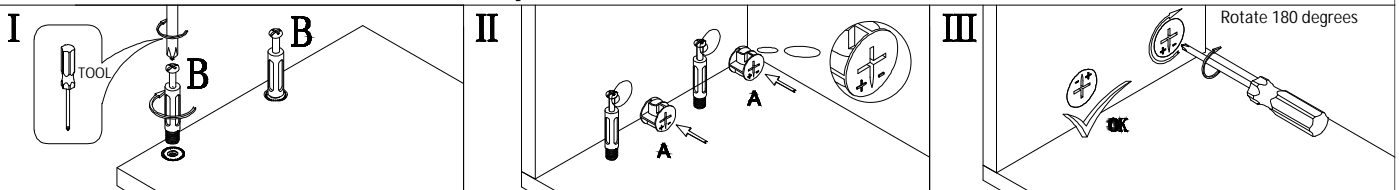


Cat Litter Box Enclosure



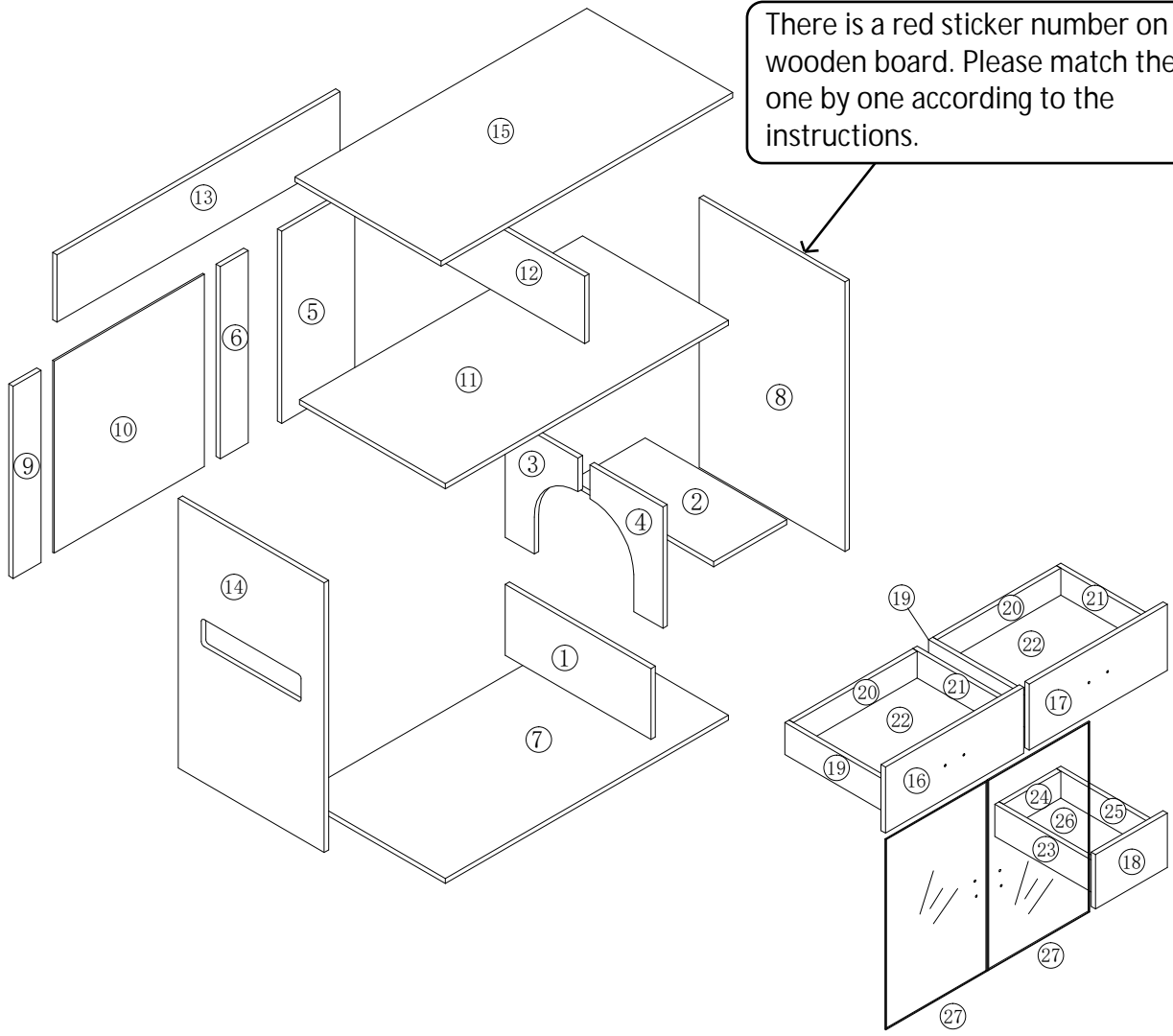
W510*D480*H750MM

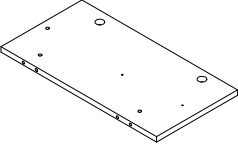
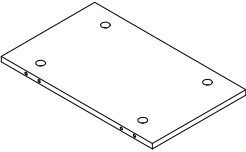
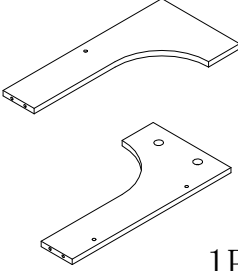
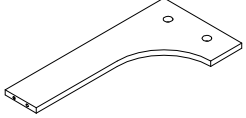
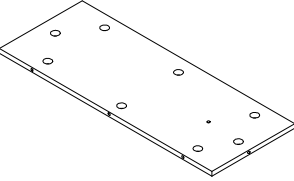
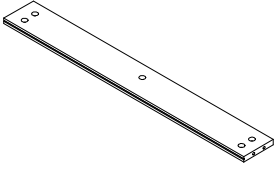
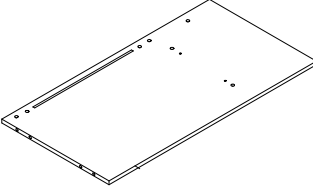
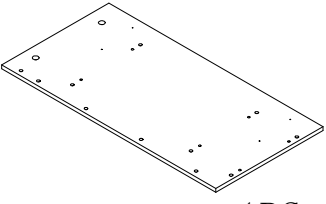
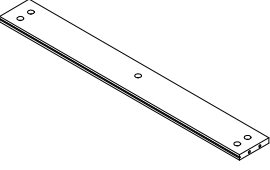
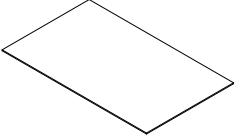
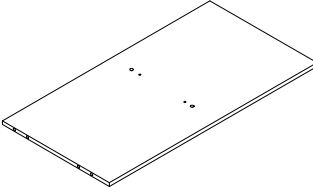
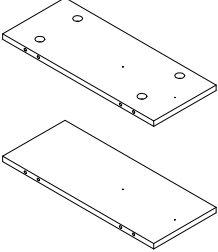
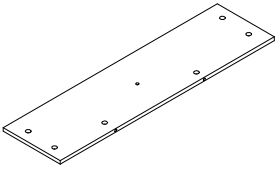
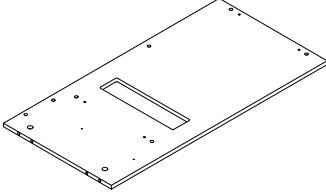
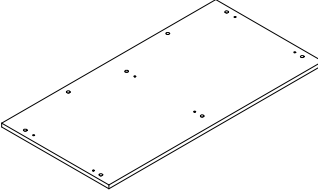
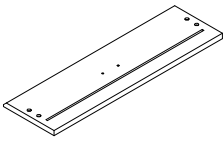
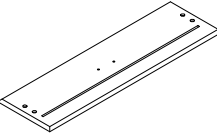
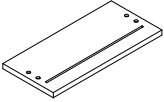
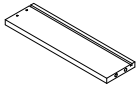
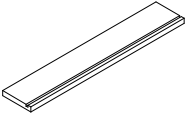
Disassembly and installation of accessories

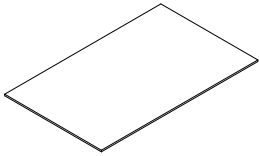
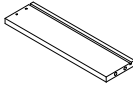
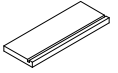
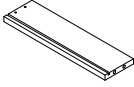
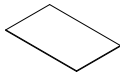
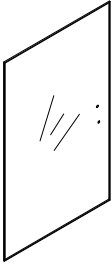


A	64PCS	B	64PCS	C	28PCS	D	2PC	E	1PC	F	4PCS	G	2PCS
Ø15*10mm		Ø6*28mm		Ø8*30mm		Ø7*38mm						10"	
H	1PC	I	4PCS	J	12PCS	K	36PCS	M	4PCS	N	4PCS		
10"				Ø3.5*35mm		Ø3.5*14mm		Ø4*18mm		Ø4*10mm			

There is a red sticker number on each wooden board. Please match them one by one according to the instructions.



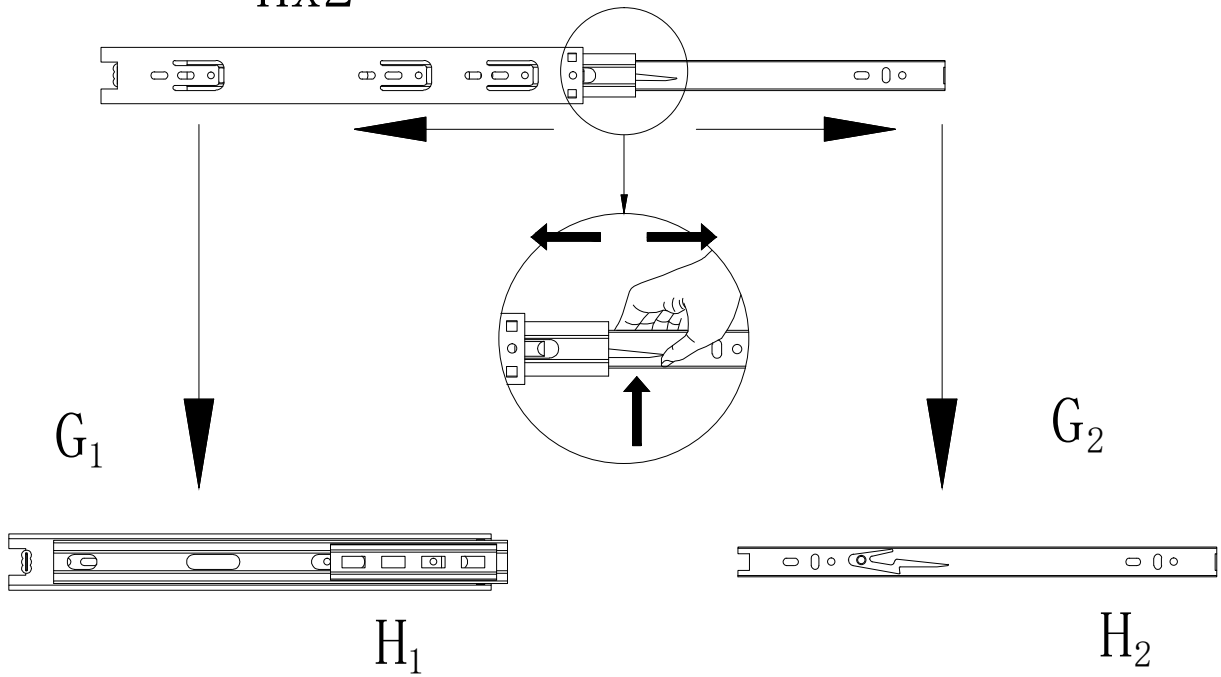
<p>1</p>  <p>1PC</p>	<p>2</p>  <p>1PC</p>	<p>3</p>  <p>1PC</p>	<p>4</p>  <p>1PC</p>
<p>5</p>  <p>1PC</p>	<p>6</p>  <p>1PC</p>	<p>7</p>  <p>1PC</p>	<p>8</p>  <p>1PC</p>
<p>9</p>  <p>1PC</p>	<p>10</p>  <p>1PC</p>	<p>11</p>  <p>1PC</p>	<p>12</p>  <p>1PC</p>
<p>13</p>  <p>1PC</p>	<p>14</p>  <p>1PC</p>	<p>15</p>  <p>1PC</p>	<p>16</p>  <p>1PC</p>
<p>17</p>  <p>1PC</p>	<p>18</p>  <p>1PC</p>	<p>19</p>  <p>2PCS</p>	<p>20</p>  <p>2PCS</p>



<p>21</p>  <p>2PCS</p>	<p>22</p>  <p>1PC</p>	<p>23</p>  <p>1PC</p>	<p>24</p>  <p>1PC</p>
<p>25</p>  <p>1PC</p>	<p>26</p>  <p>1PC</p>	<p>27</p>  <p>2PCS</p>	<p>28</p>

1

Gx4
Hx2

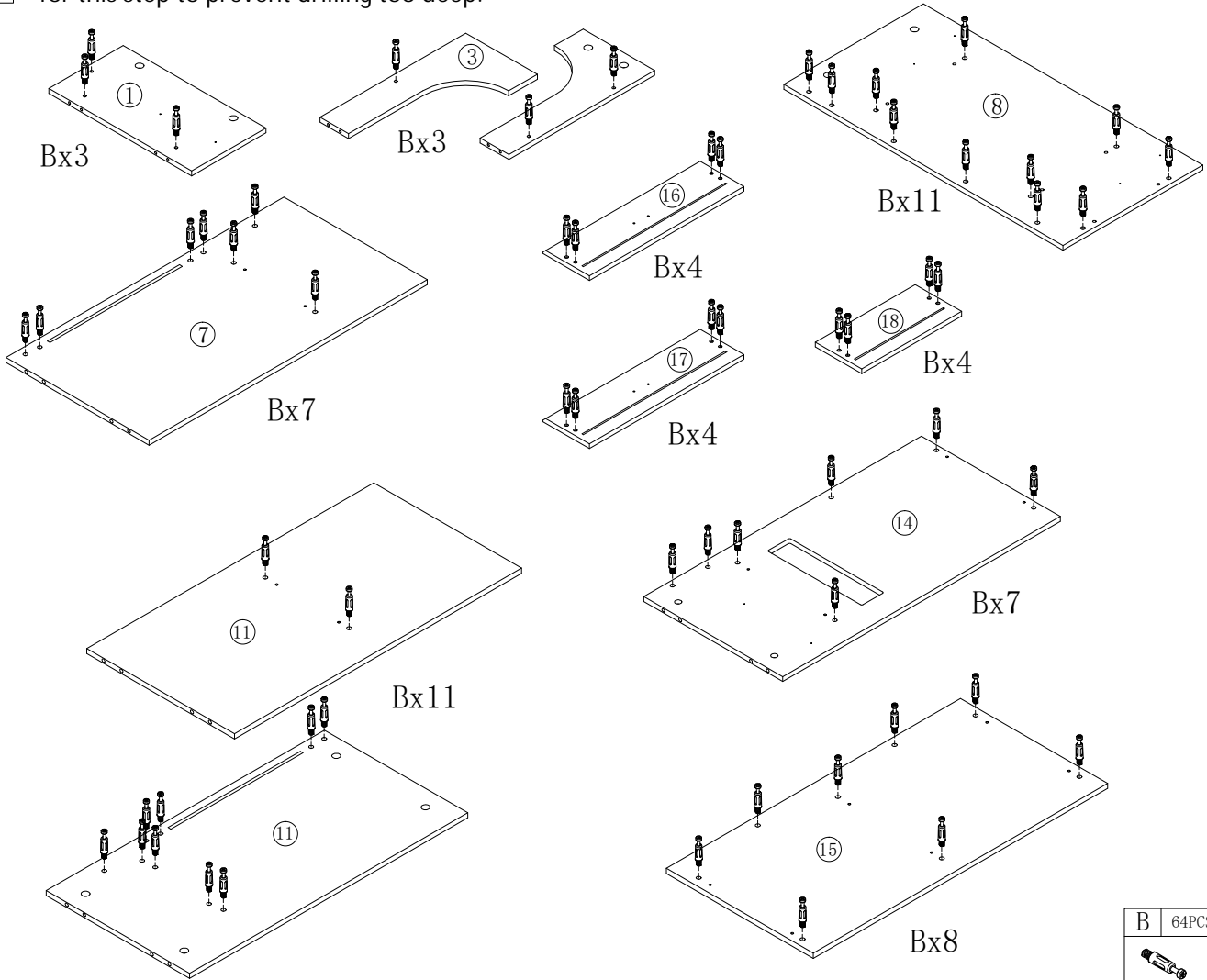
TIP: Bend the rubber strip to the side and pull out the metal strip at the same time to complete the rail separation.




G	4PCS		
	H	2PCS	

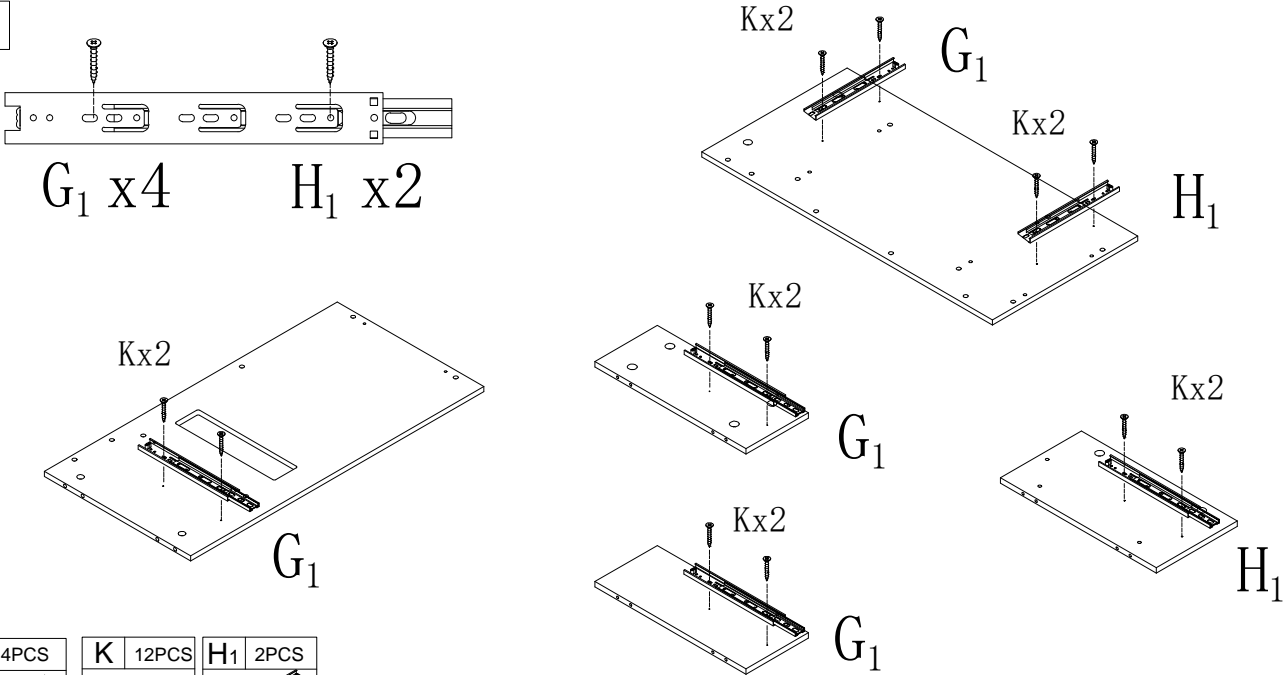
2


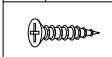

Tip: It is recommended to use a hand screwdriver for this step to prevent drilling too deep.



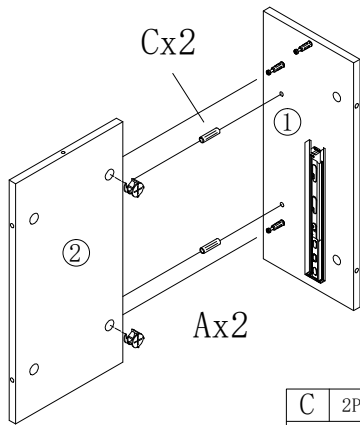
B	64PCS
	
$\phi 6 \times 28\text{mm}$	

3



G1 4PCS	K 12PCS	H1 2PCS
		
10"	$\phi 3.5 \times 14\text{mm}$	10"

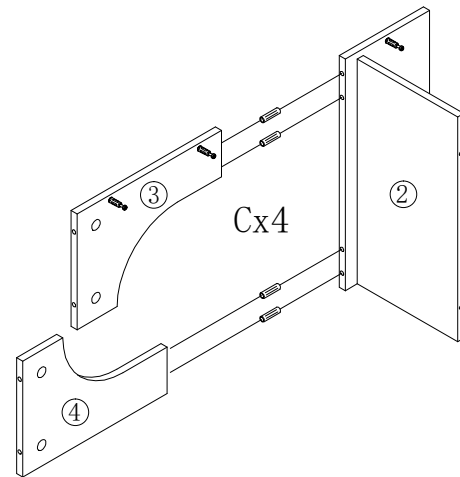
4



C	2PCS	A	2PCS
8*30mm		15*10mm	

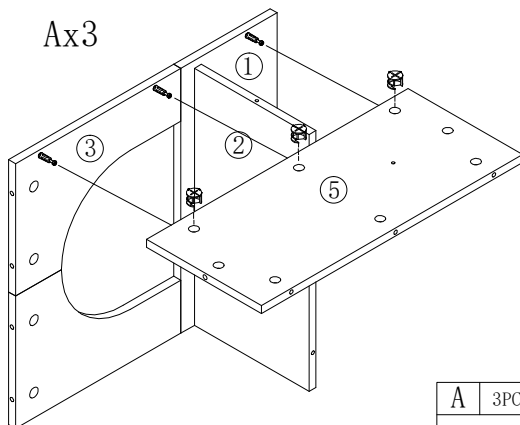
5

First put plate ③ and plate ④ together, and then connect them to plate ①.



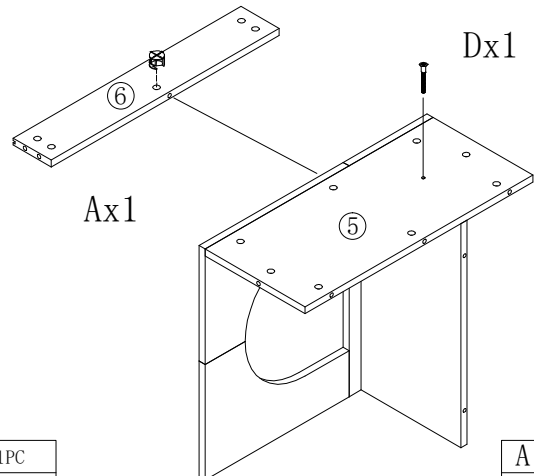
C	4PCS
8*30mm	

6



A	3PCS
15*10mm	

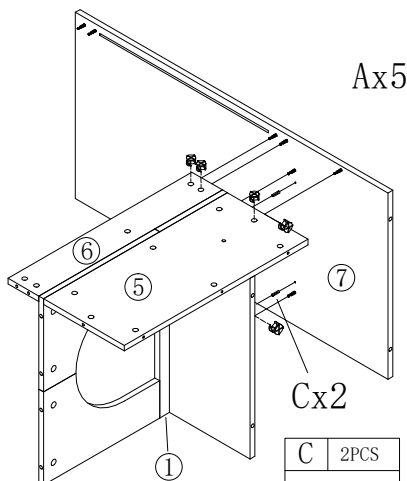
7



D	1PC
7*38mm	

A	1PCS
15*10mm	

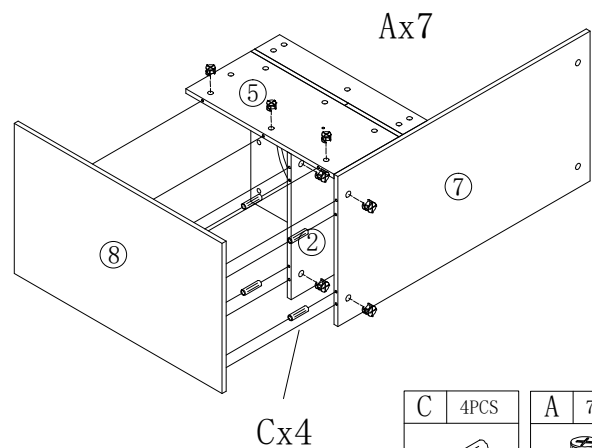
8



C	2PCS	A	5PCS
8*30mm		15*10mm	

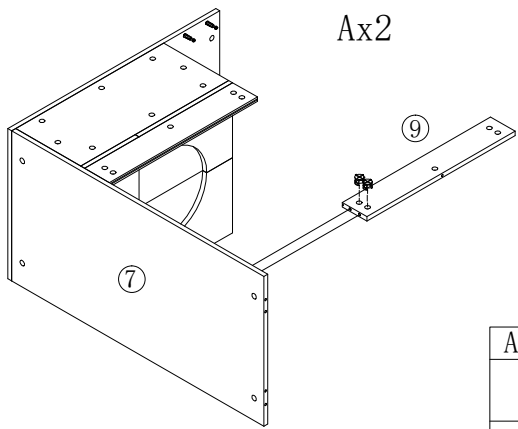
9

Do not tighten the screws of board ⑧ yet, just tighten them after completing step 12.



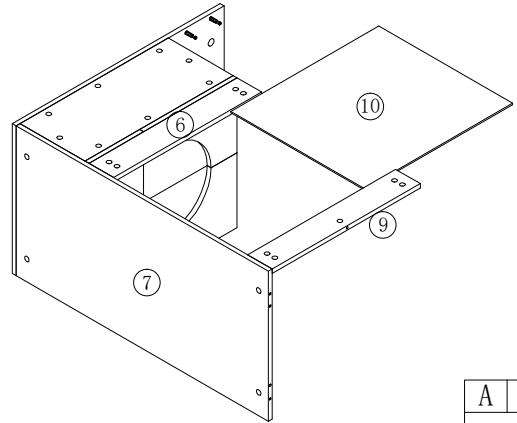
C	4PCS	A	7PCS
8*30mm		15*10mm	

10



A	4PCS
Φ15*10mm	

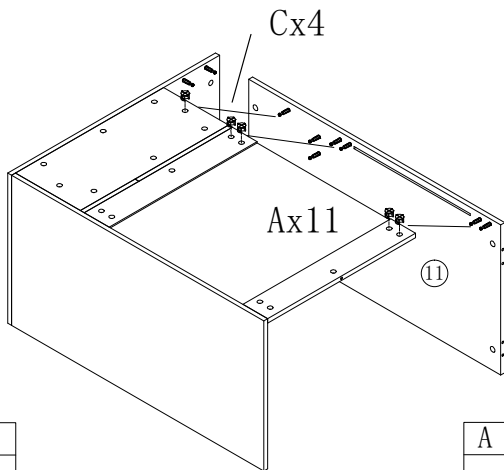
11



A	4PCS
Φ15*10mm	

12

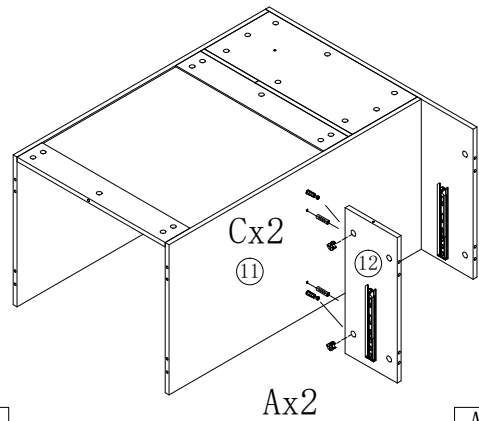
Please use a screwdriver to loosen plate (8) a little to facilitate the installation of plate (11).



C	4PCS
Φ8*30mm	

A	4PCS
Φ15*10mm	

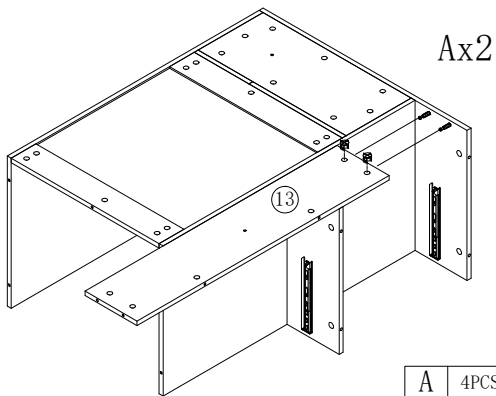
13



C	2PCS
Φ8*30mm	

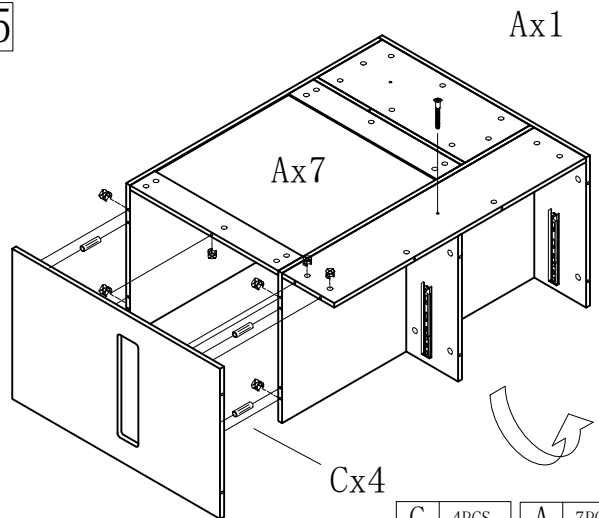
A	2PCS
Φ15*10mm	

14



A	4PCS
Φ15*10mm	

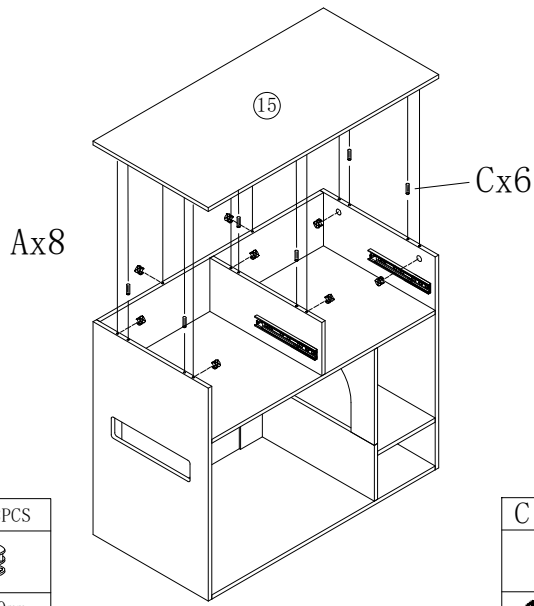
15



C	4PCS
Φ8*30mm	

A	7PCS
Φ15*10mm	

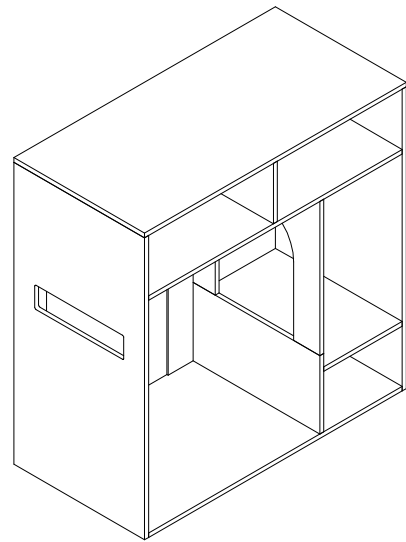
16



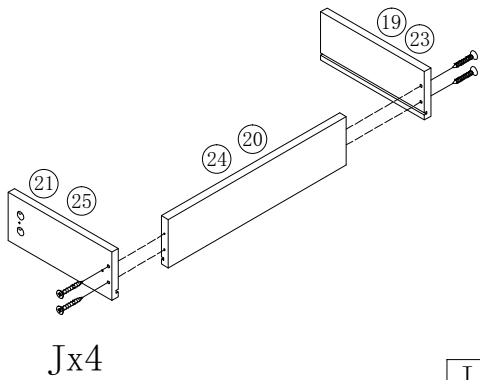
A	8PCS
Φ15*10mm	

C	6PCS
Φ8*30mm	

17



18

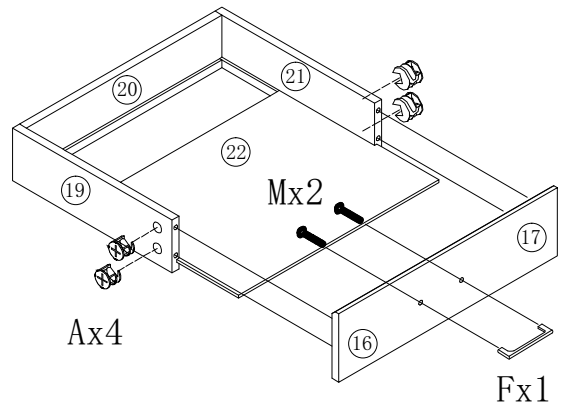


* 2

Jx4

J	12PCS
Φ3.5*35mm	

19



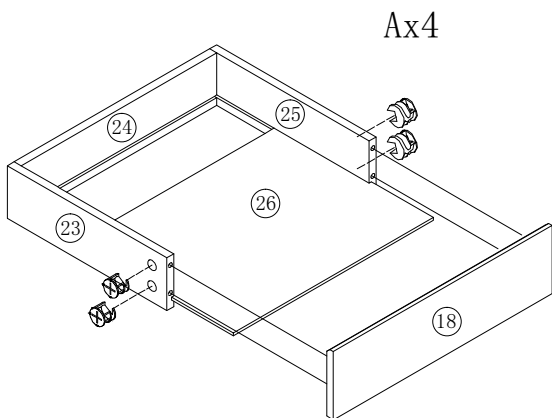
* 2

Ax4

Fx1

A	8PCS	F	2PCS	M	4PCS
Φ15*10mm				Φ4*18mm	

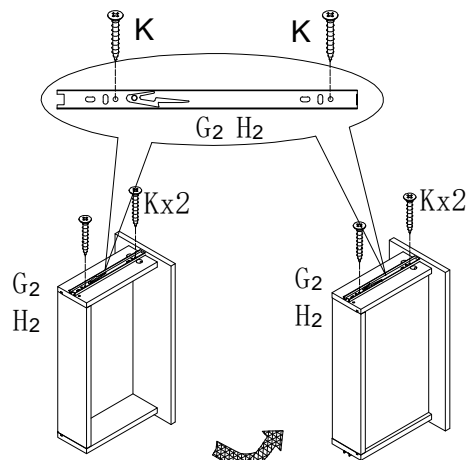
20



Ax4

A	4PCS
Φ15*10mm	

21



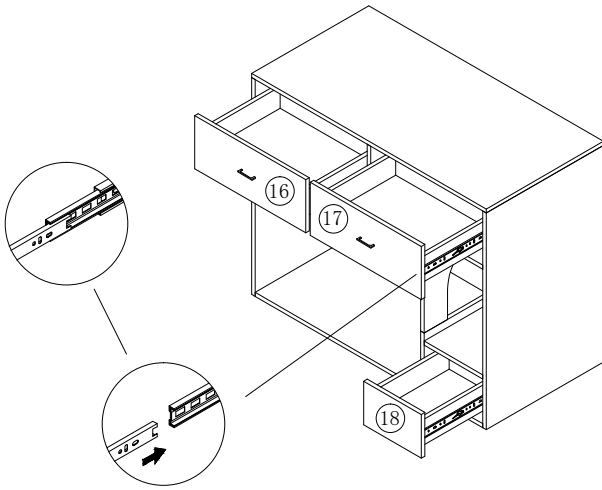
* 3

K	12PCS
Φ3.5*14mm	

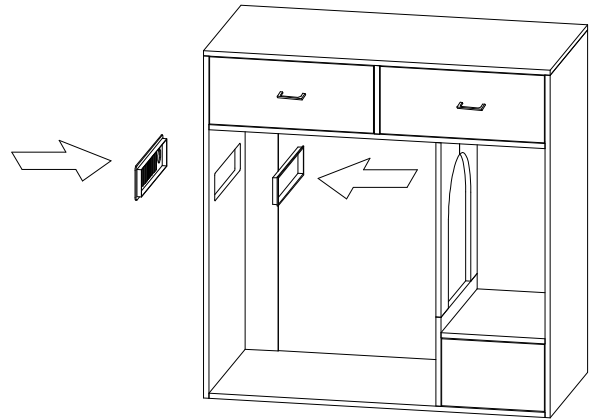
G2	4PCS

H2	2PCS

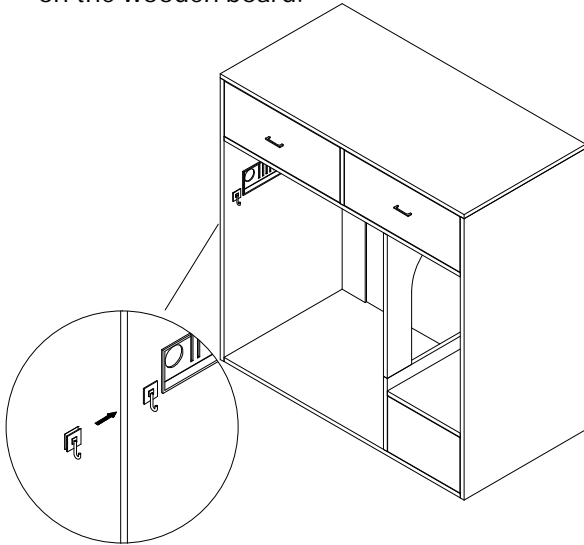
22



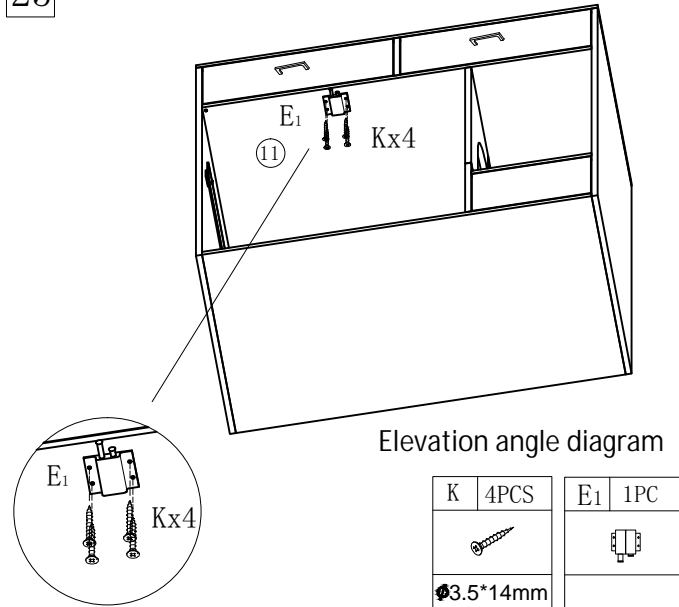
23



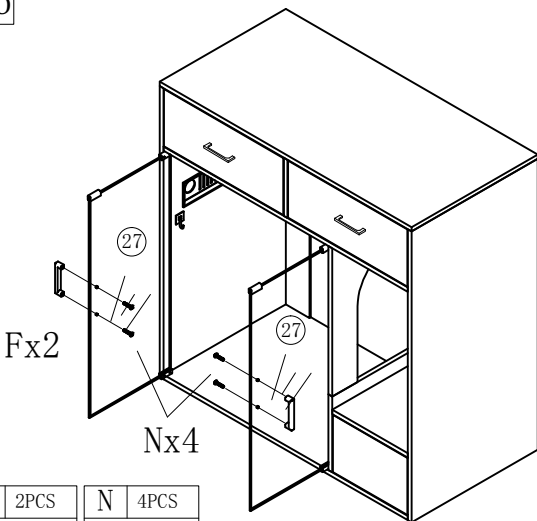
24 Tear off the protective film and stick the hook on the wooden board.

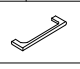



25



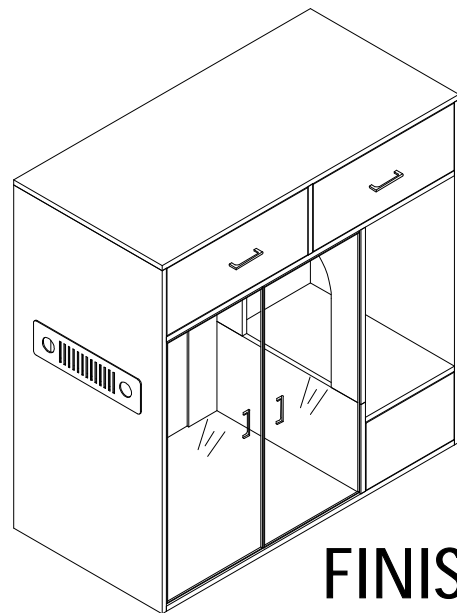
26



F	2PCS	N	4PCS
			
		$\varnothing 4 \times 10\text{mm}$	

Please skip to the next page for glass door installation instructions.

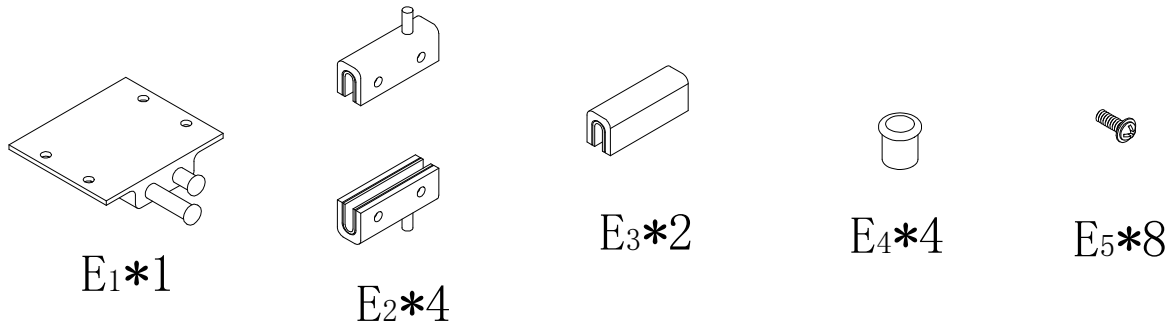
27



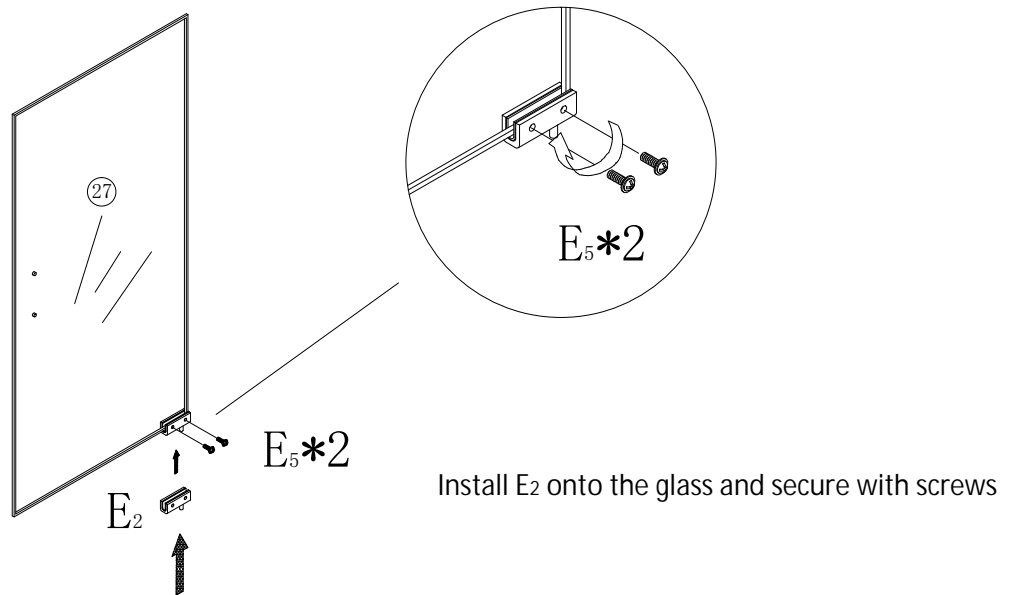
FINISH!

1

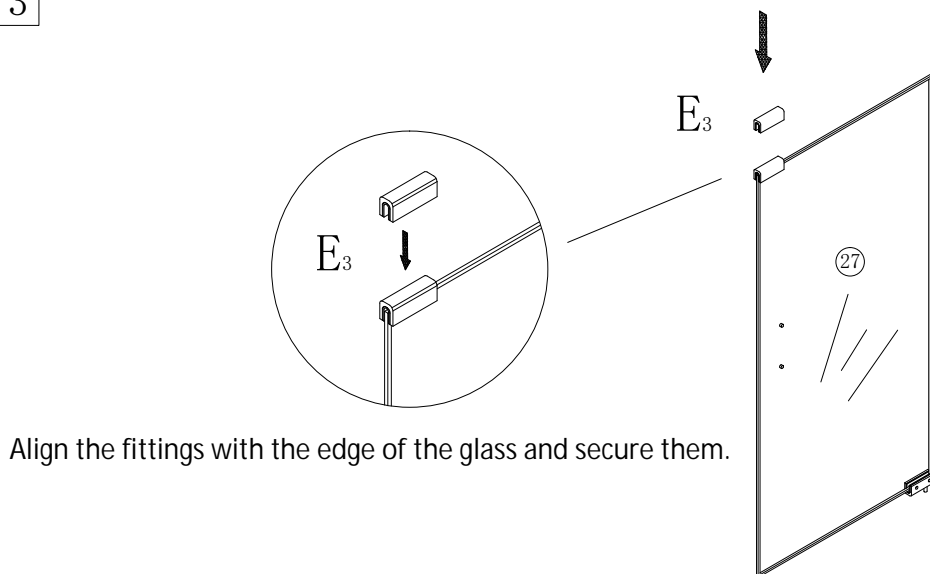
E - Accessory Installation Instructions



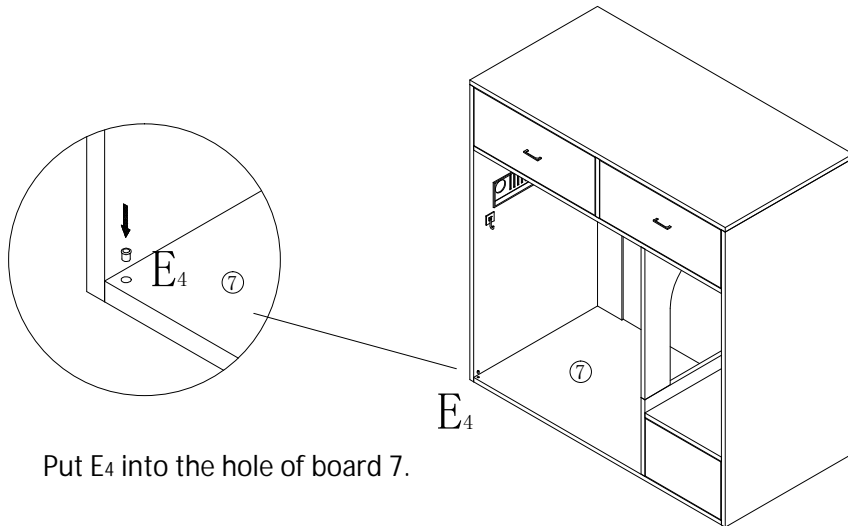
2



3

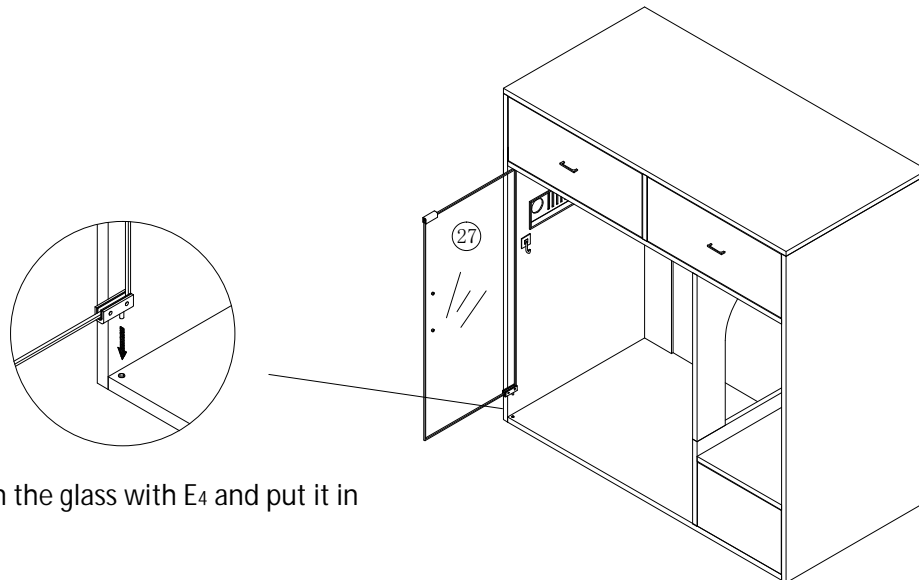


4



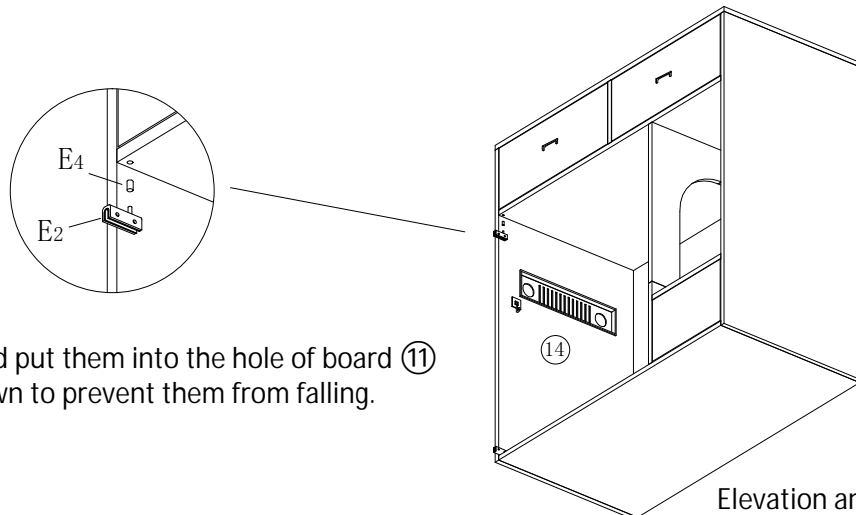
Put E4 into the hole of board 7.

5



Align E2 on the glass with E4 and put it in

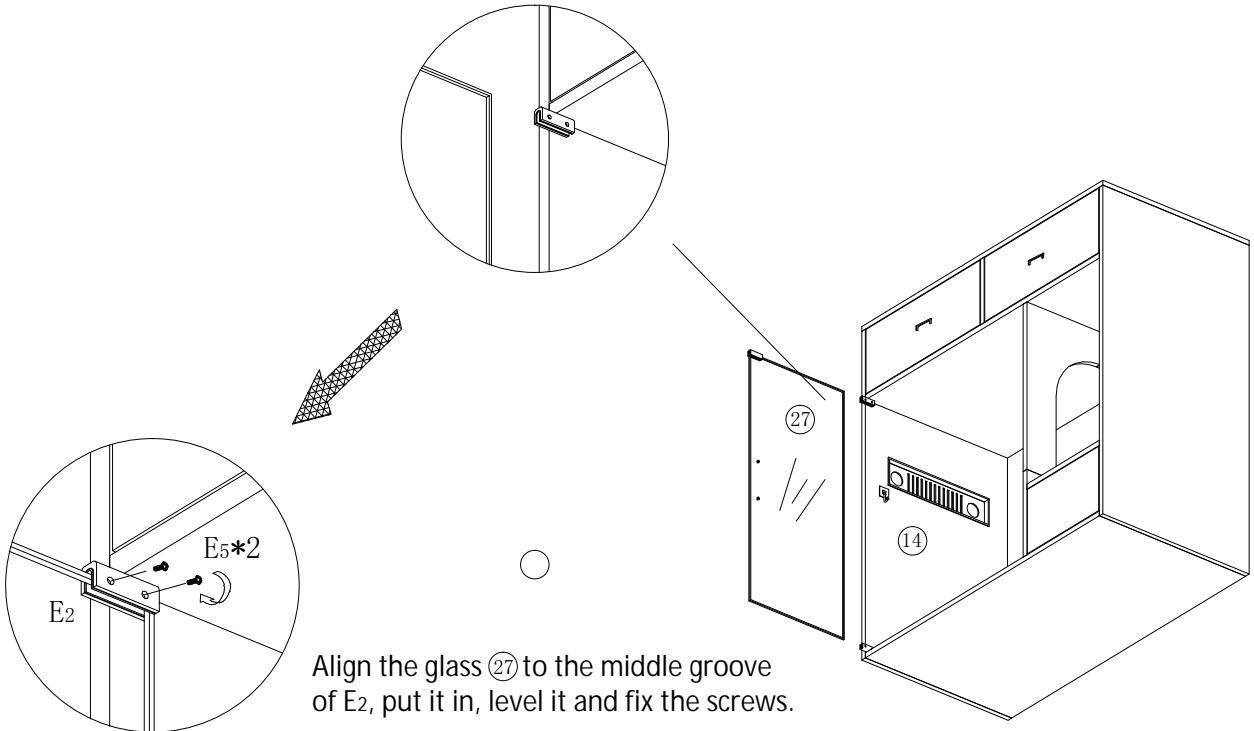
6



Align E2 with E4 and put them into the hole of board ⑪ and hold them down to prevent them from falling.

Elevation angle diagram

7



Align the glass 27 to the middle groove of E2, put it in, level it and fix the screws.

Elevation angle diagram

8

Repeat the previous steps for the door on the other side.

