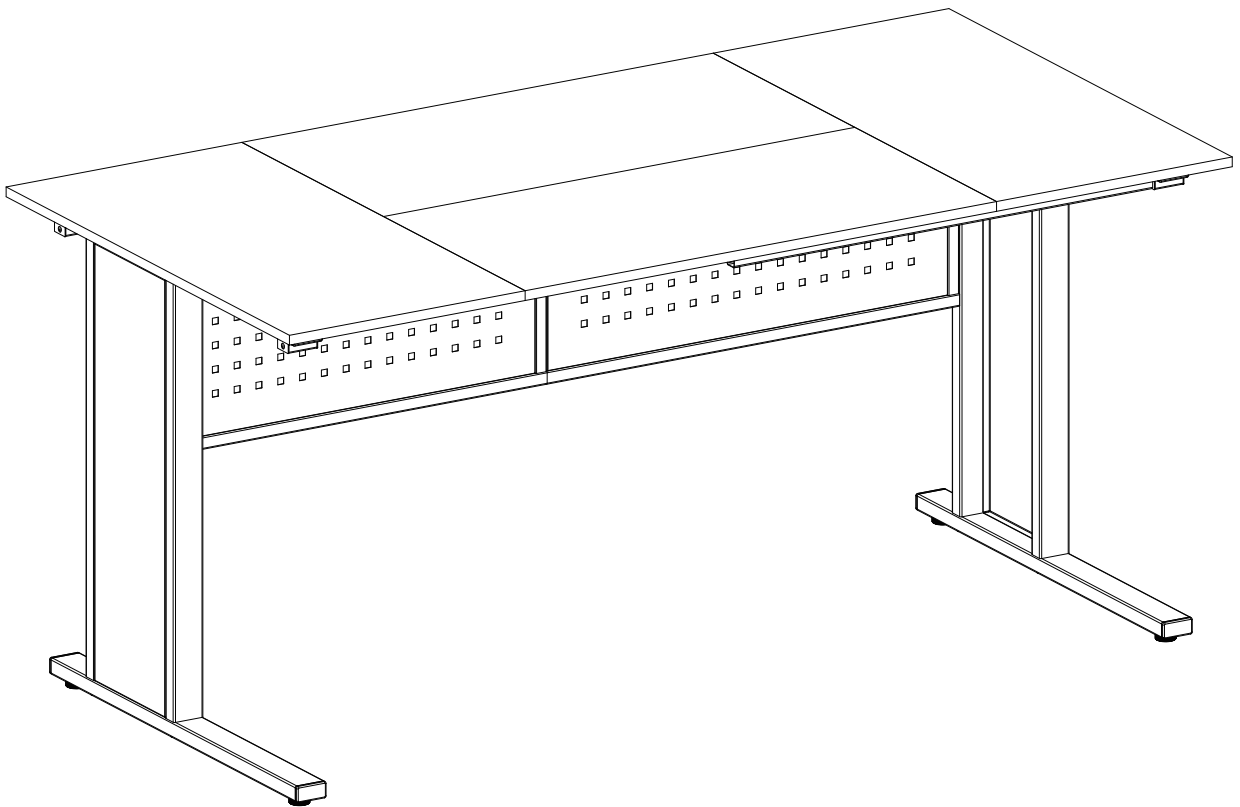


Assembly Instructions



Desk

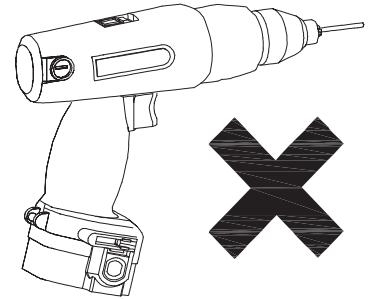
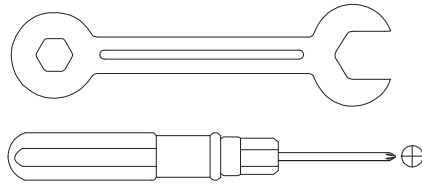
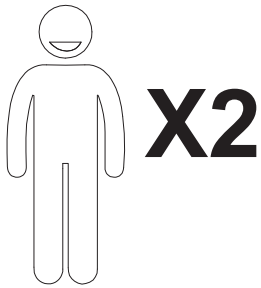
Contact Us

We're here to help you.

Your satisfaction is our top priority. If you encounter any issues with this product, such as missing or damaged parts, we're here to help. Please retain the original packaging and take photos of the packaging and the product, then contact us as soon as possible.

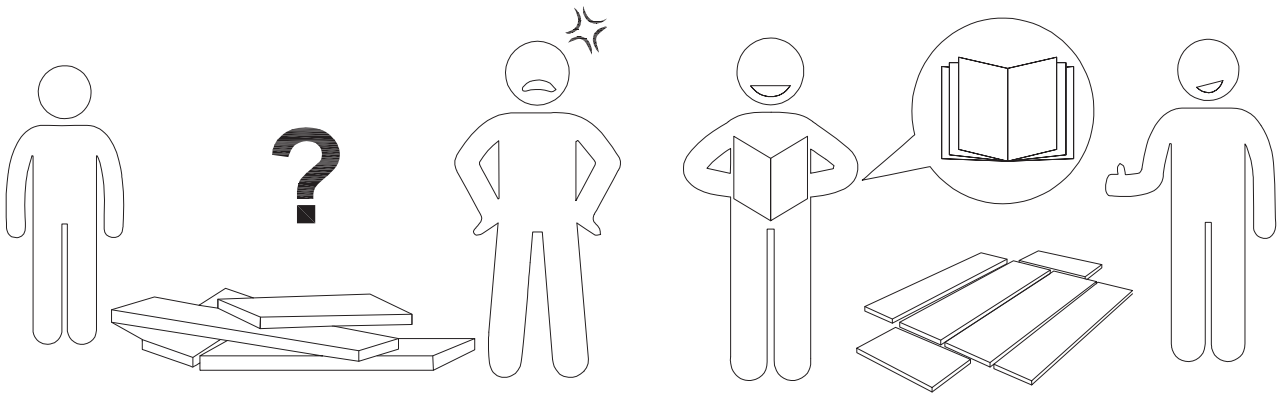
Warm Tips

1. Carefully read these instructions and keep them for future reference.
2. Check the parts list and confirm everything's there before starting assembly.
3. When assembling, put all parts on a soft, smooth surface like a carpet to avoid scratches.
4. Don't fully tighten screws until all parts are confirmed in place to avoid misalignment.



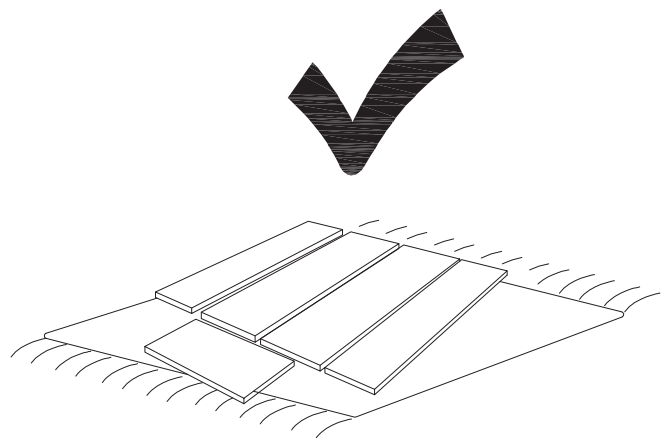
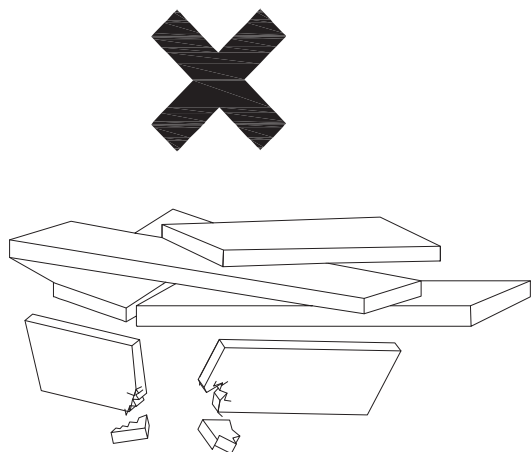
We recommend using hand tools for assembly.

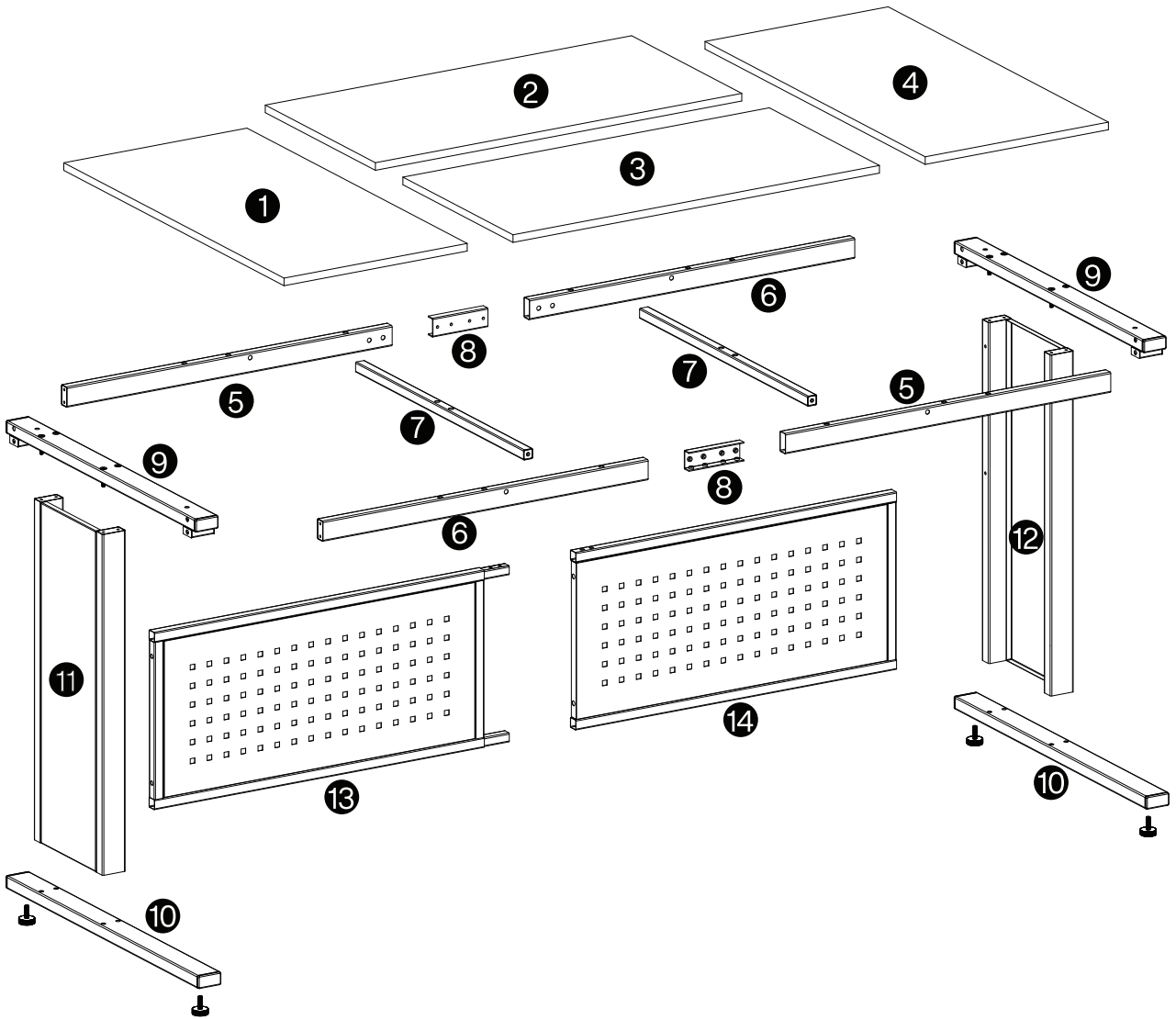
If an electric screwdriver is used, reduce power and torque to avoid damage to the product.



AVOID SCRATCHES

In order to avoid scratching, this furniture should be assembled on a soft surface, such as a rug.

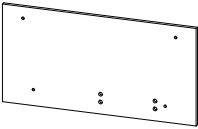
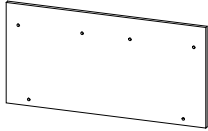
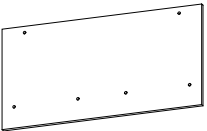
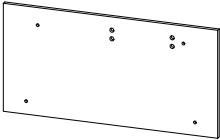
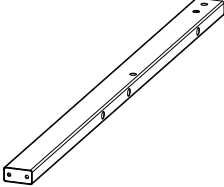
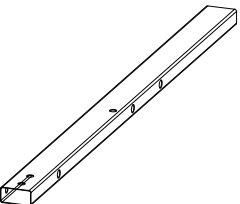
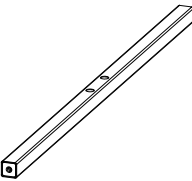
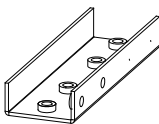
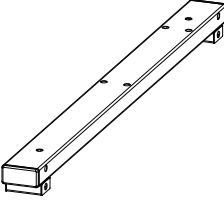
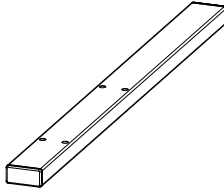
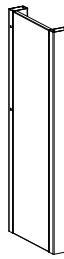
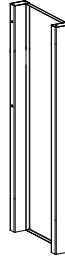
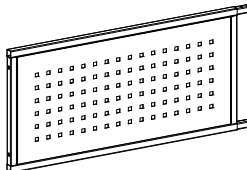
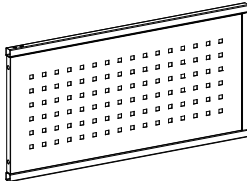




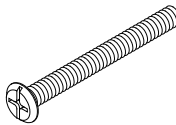
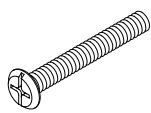
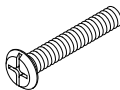
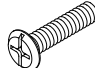
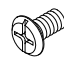

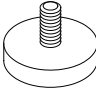
⚠ Caution

Make sure all parts are included. Most board parts are labeled or stamped on the raw edge. Contact us for a free replacement if you encounter any damaged or missing parts.

Parts List

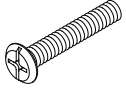
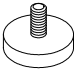
 <p>1 pc</p>	 <p>1 pc</p>	 <p>1 pc</p>	 <p>1 pc</p>	 <p>2 pcs</p>
 <p>2 pcs</p>	 <p>2 pcs</p>	 <p>2 pcs</p>	 <p>2 pcs</p>	 <p>2 pcs</p>
 <p>1 pc</p>	 <p>1 pc</p>	 <p>1 pc</p>	 <p>1 pc</p>	

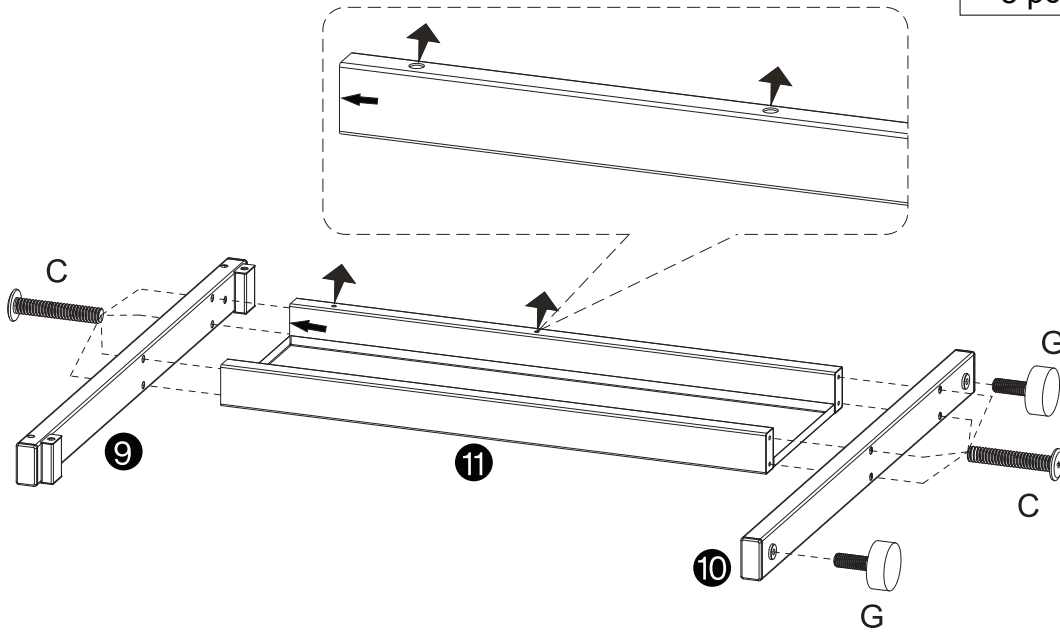
Hardware List

A	B	C	D	E	F	G
 <p>M6x60mm</p>	 <p>M6x50mm</p>	 <p>M6x35mm</p>	 <p>M6x30mm</p>	 <p>M6x10mm</p>	 <p>M6</p>	 <p>M8x12mm</p>
8 pcs	12 pcs	24 pcs	10 pcs	20 pcs	2 pcs	4 pcs

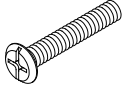
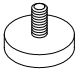
H	I					
 <p>10-14mm</p>						
1 pc	1 pc					

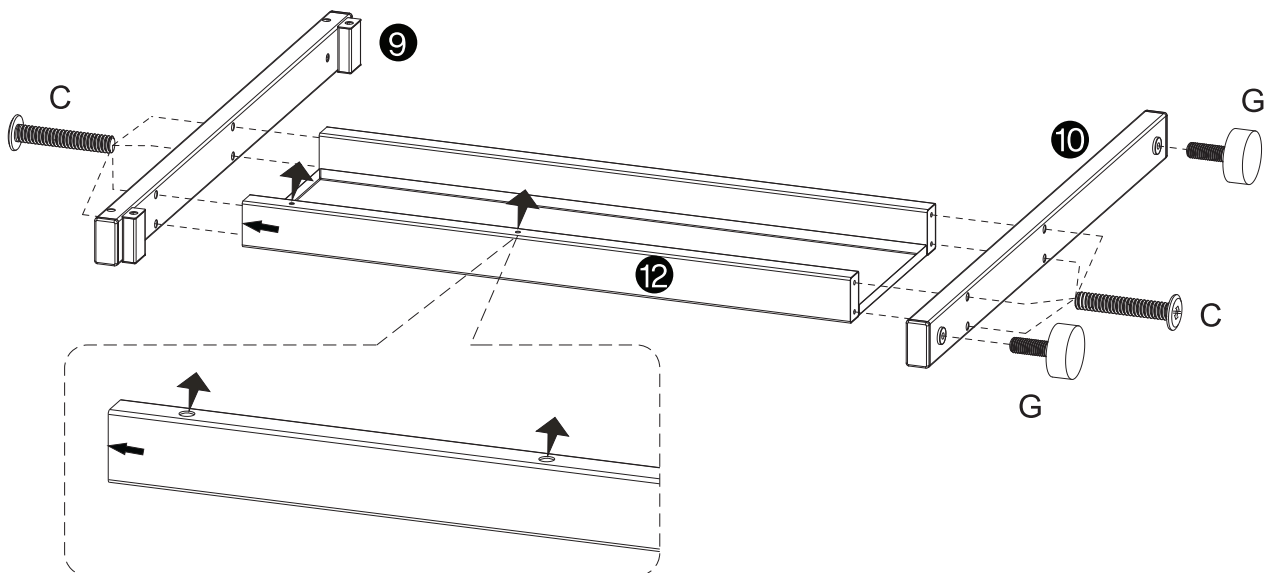
1

C	G
 M6x35mm	
8 pcs	2 pcs

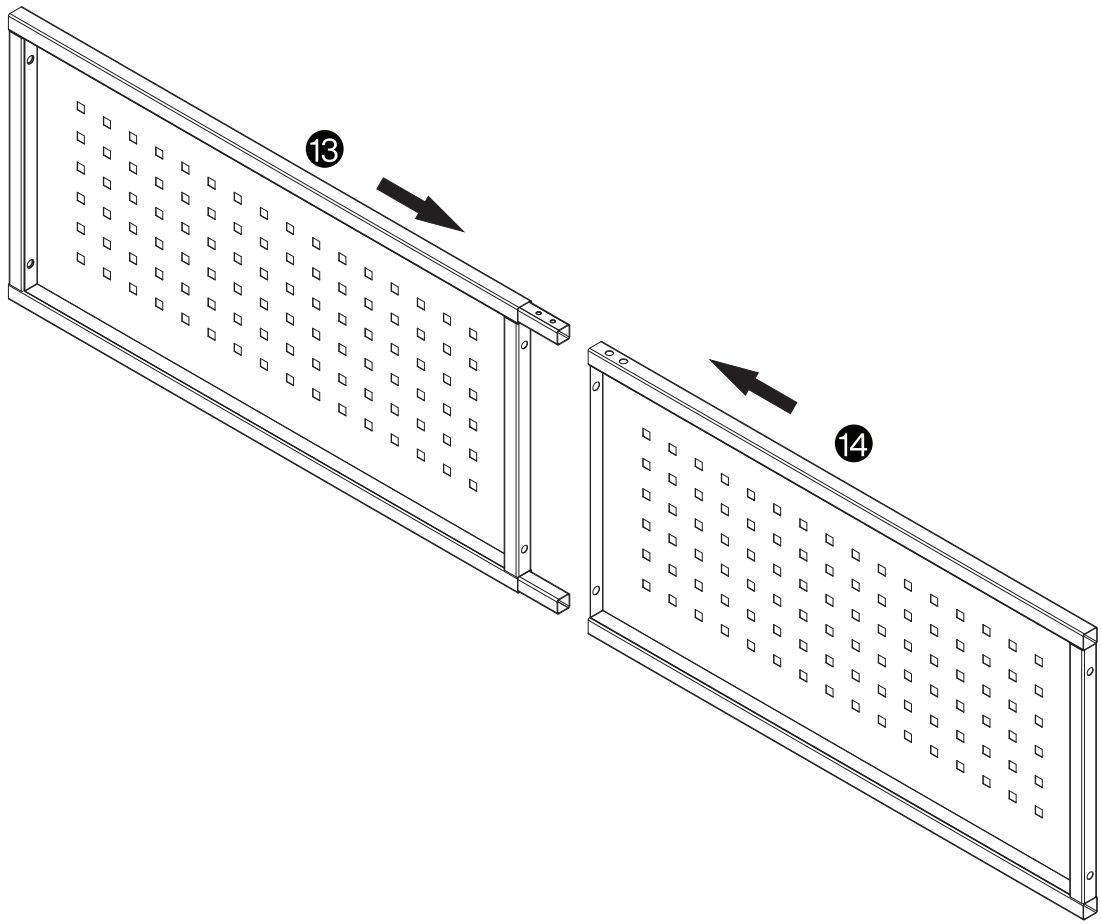


2

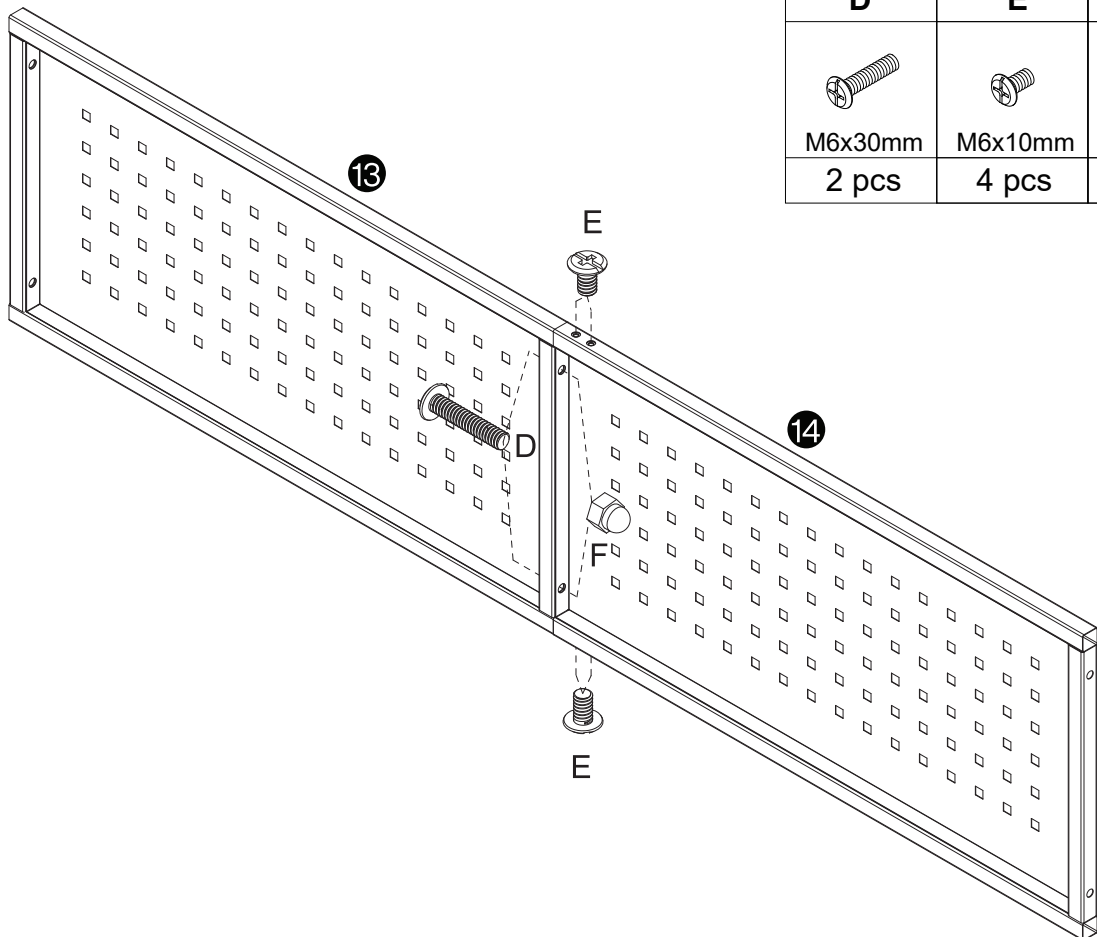
C	G
 M6x35mm	
8 pcs	2 pcs

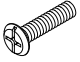




3




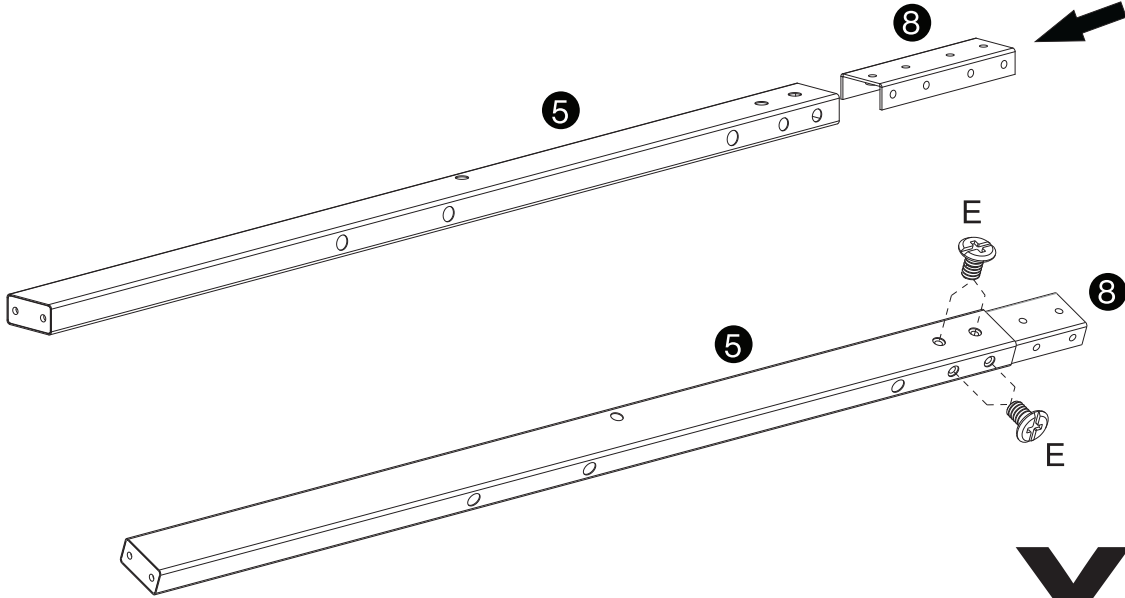
4



D	E	F
		
M6x30mm	M6x10mm	M6
2 pcs	4 pcs	2 pcs


5

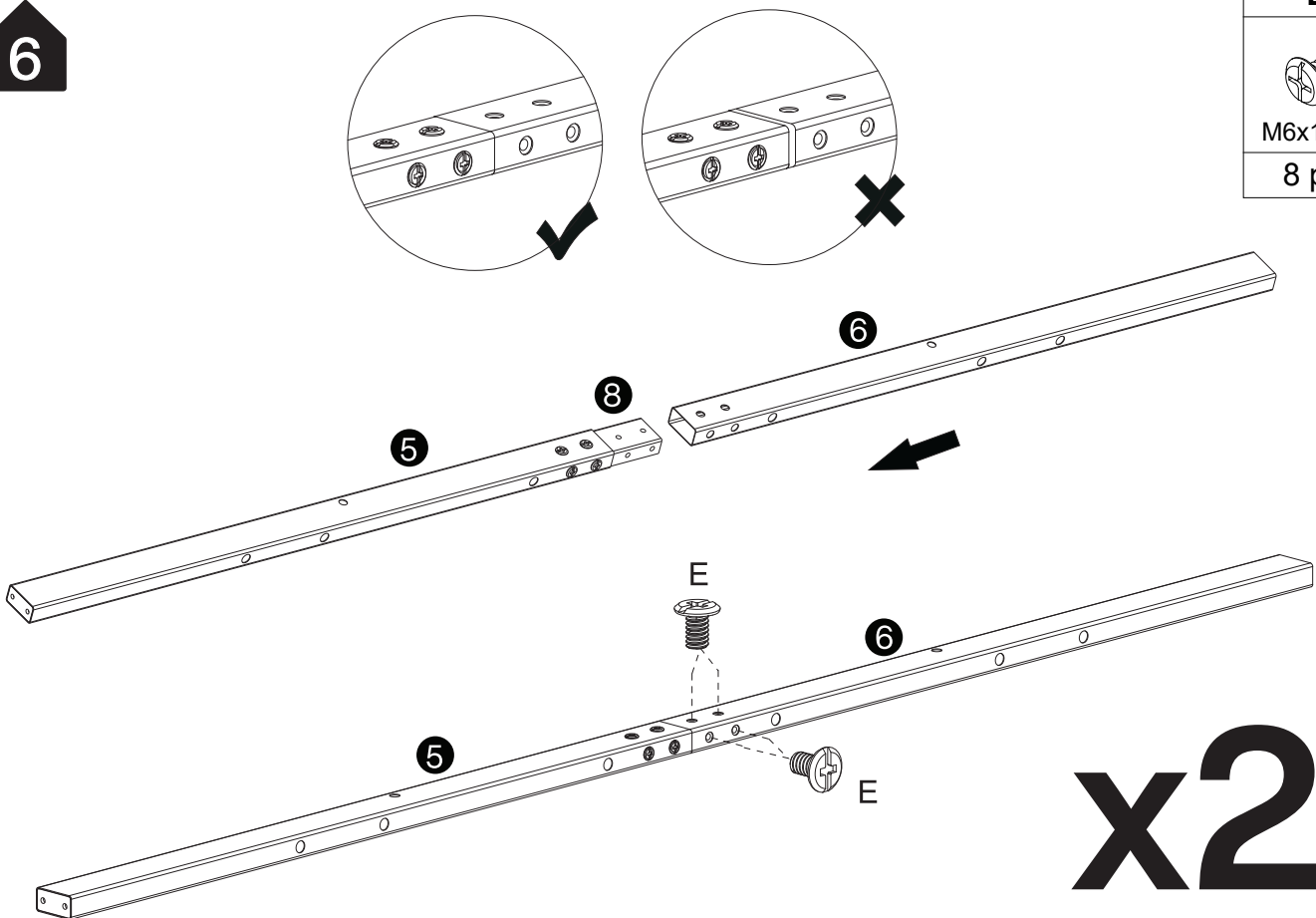
E

M6x10mm
8 pcs



x2

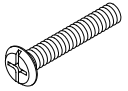
6

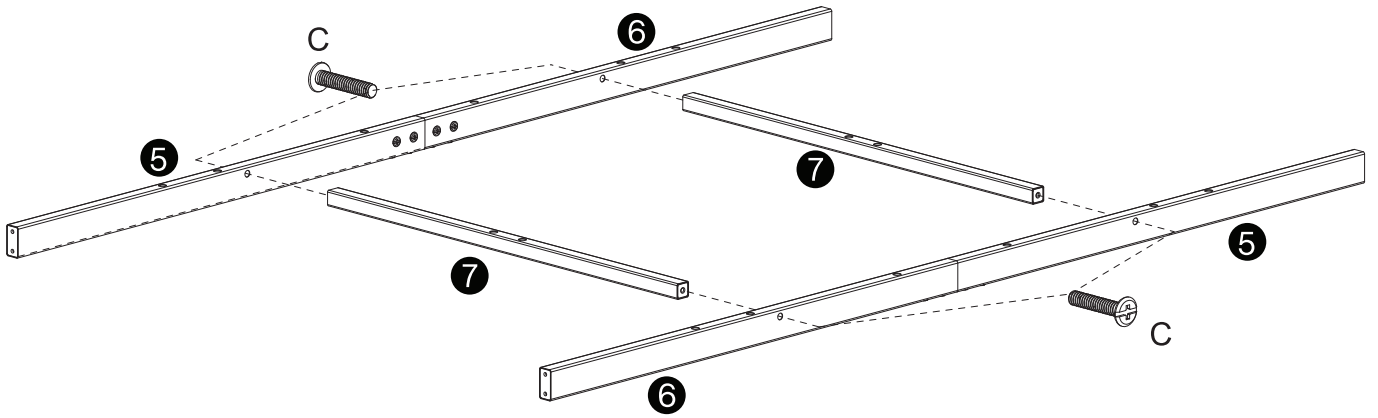
E

M6x10mm
8 pcs



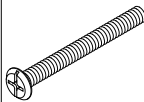
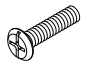
x2

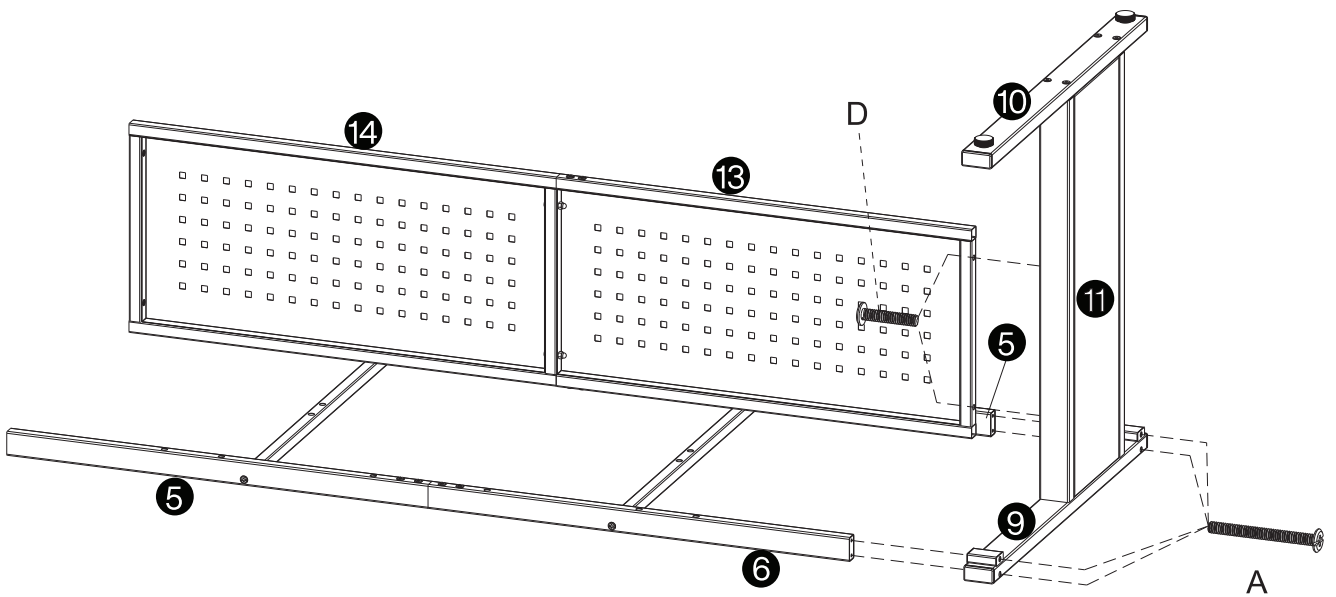
7

C

M6x35mm
4 pcs

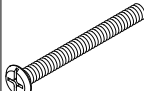



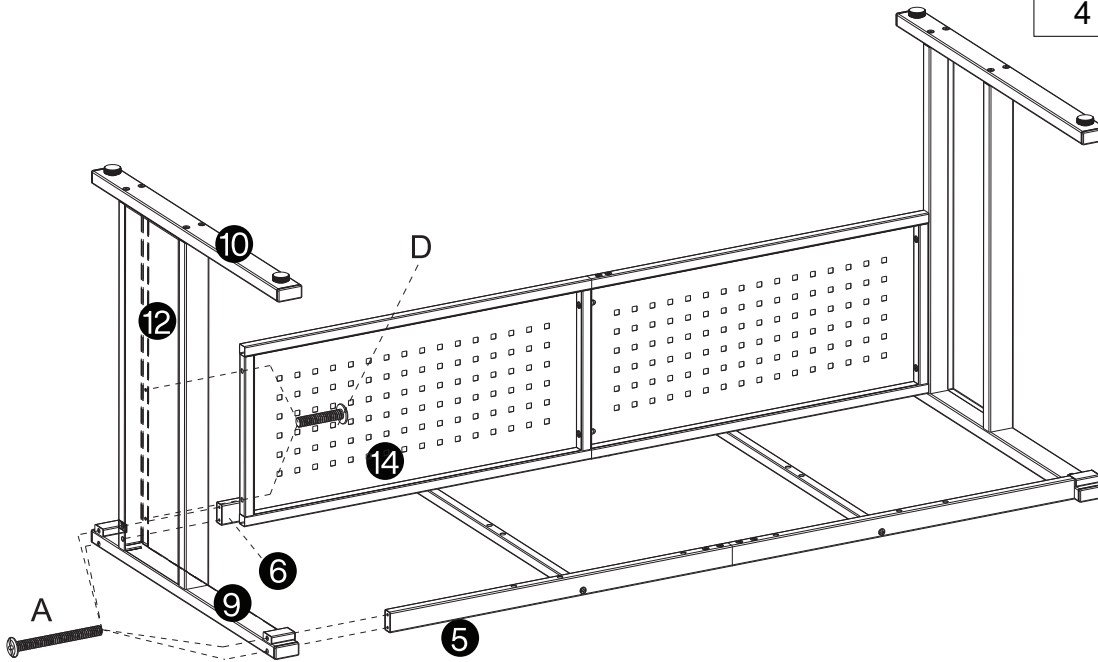
8

A	D
	
M6x60mm	M6x30mm
4 pcs	2 pcs

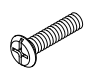


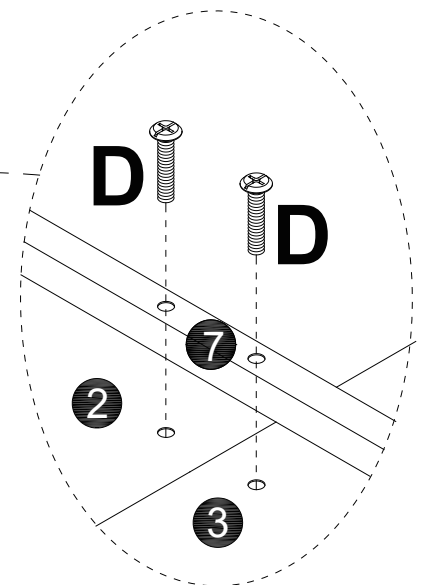
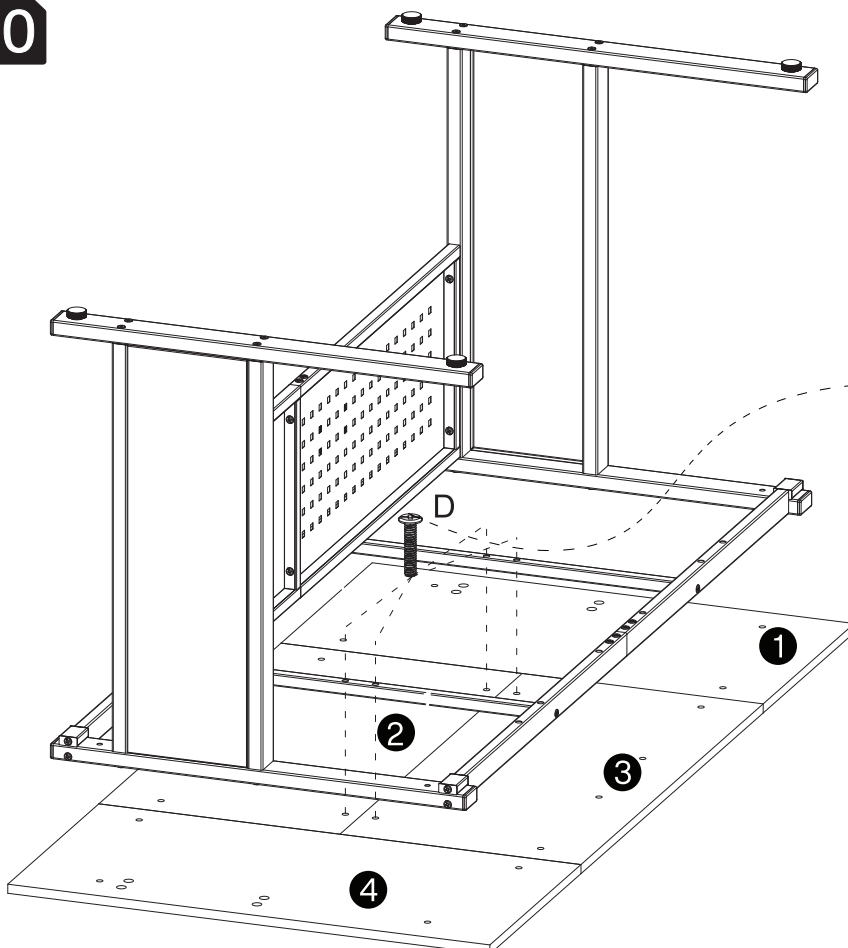
9

A	D
	
M6x60mm	M6x30mm
4 pcs	2 pcs



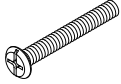
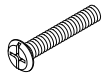
10

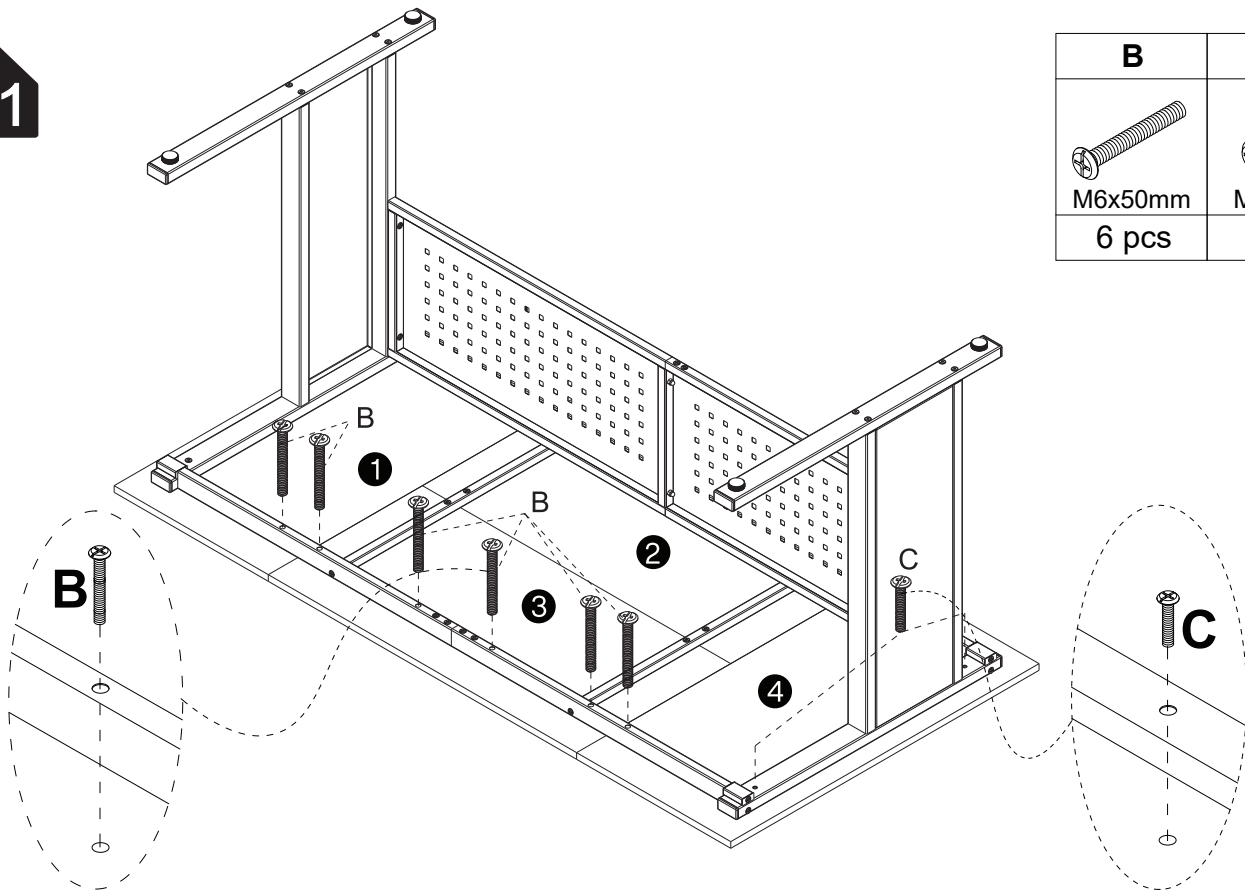
D

M6x30mm
4 pcs



▲ Screw M6X30mm

11

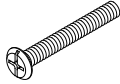
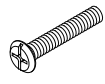
B	C
	
M6x50mm	M6x35mm
6 pcs	2 pcs

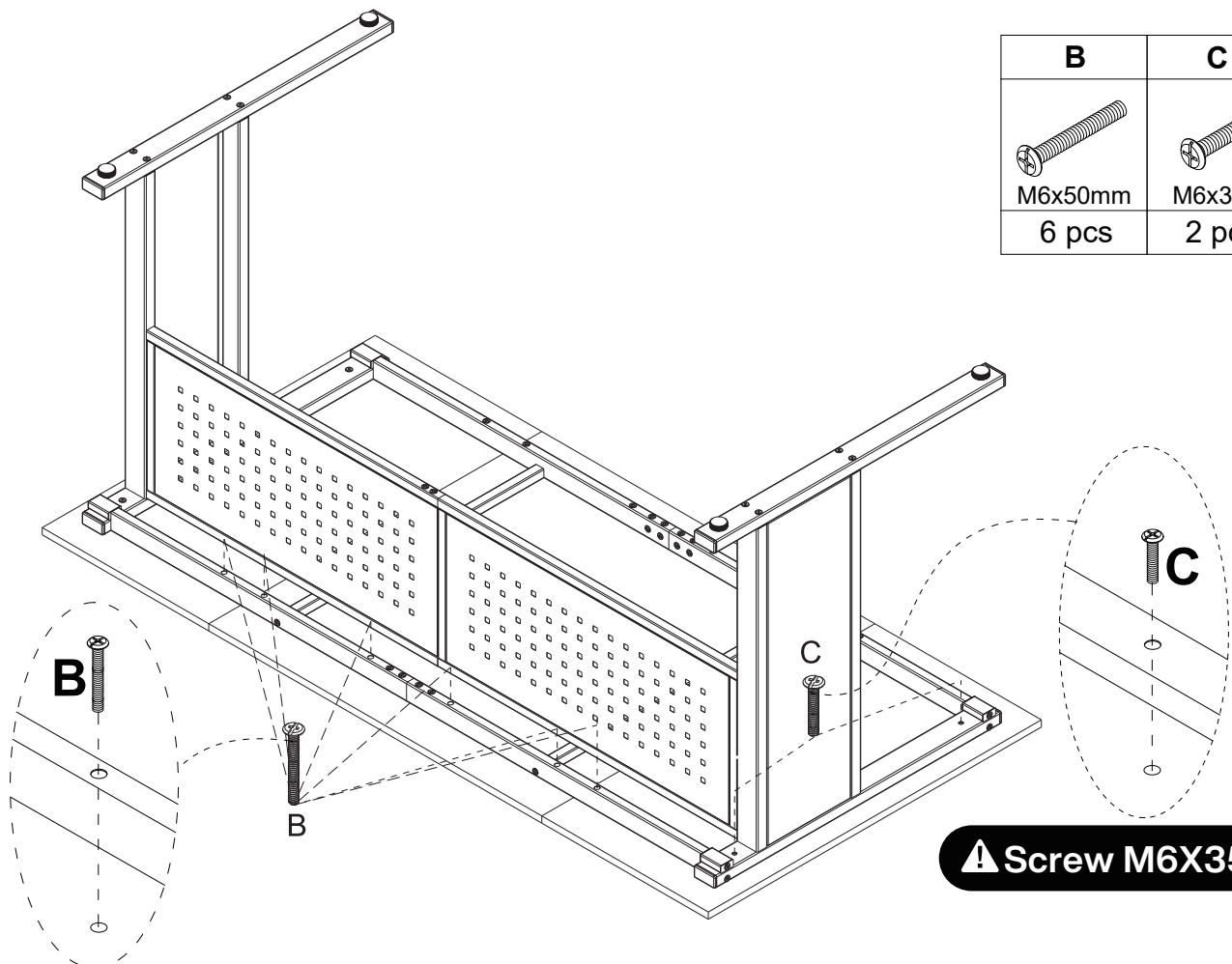


▲ Screw M6X50mm

▲ Screw M6X35mm

12

B	C
	
M6x50mm	M6x35mm
6 pcs	2 pcs



▲ Screw M6X50mm

▲ Screw M6X35mm

Thank you for your support!

