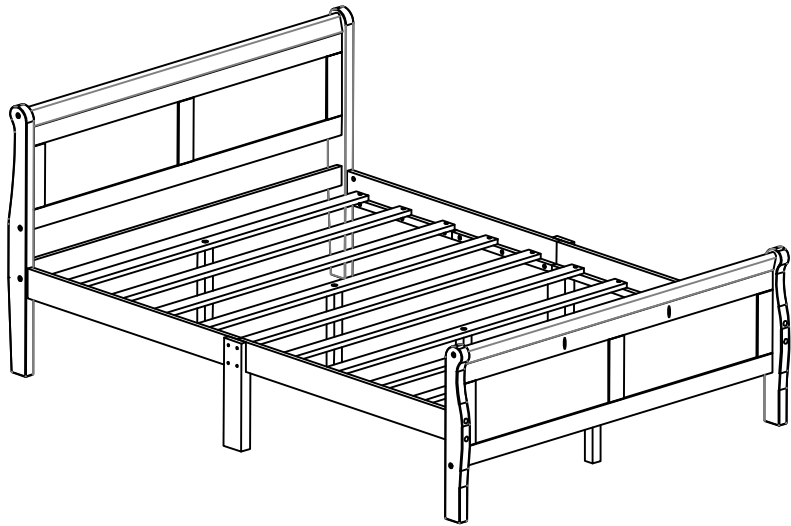


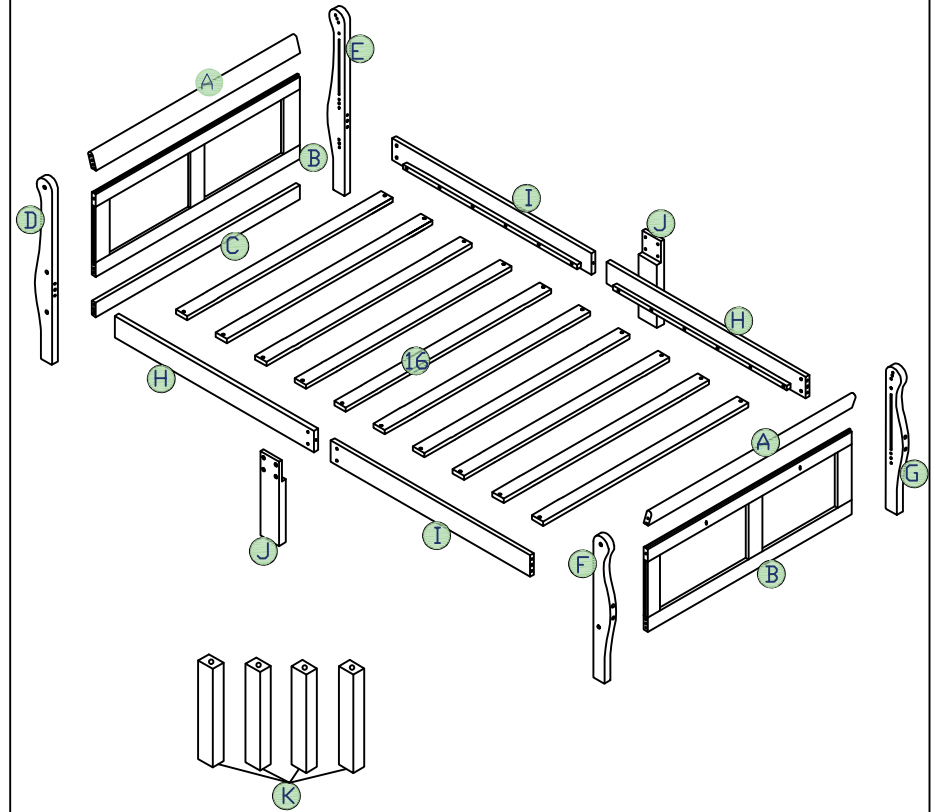
# ASSEMBLY INSTRUCTIONS

## Platform Full Bed



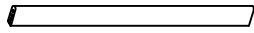
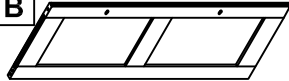
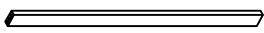
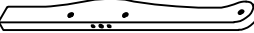
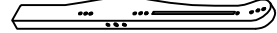

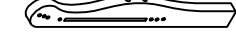
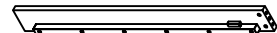
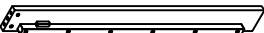

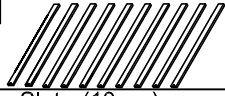
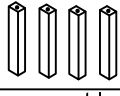
1

### Detail View

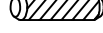








2

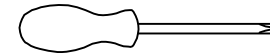
## Part List

<b>A</b> 	<b>B</b> 	<b>C</b> 
Cap for HB & FB - 2pcs	HB & FB - 2pcs	Horizontal bar - 1pc
<b>D</b> 	<b>E</b> 	<b>F</b> 
Leg headboard(Left) - 1pc	Leg headboard(Right) - 1pc	Leg footboard(Right) - 1pc
<b>G</b> 	<b>H</b> 	<b>I</b> 
Leg footboard(Left) - 1pc	Side rail left & right - 2pcs	Side rail left & right - 2pcs
<b>J</b> 	<b>16</b> 	<b>K</b> 
Side rail support - 2pcs	Slat - (10pcs)	Center support leg - 4pcs

## Hardware List

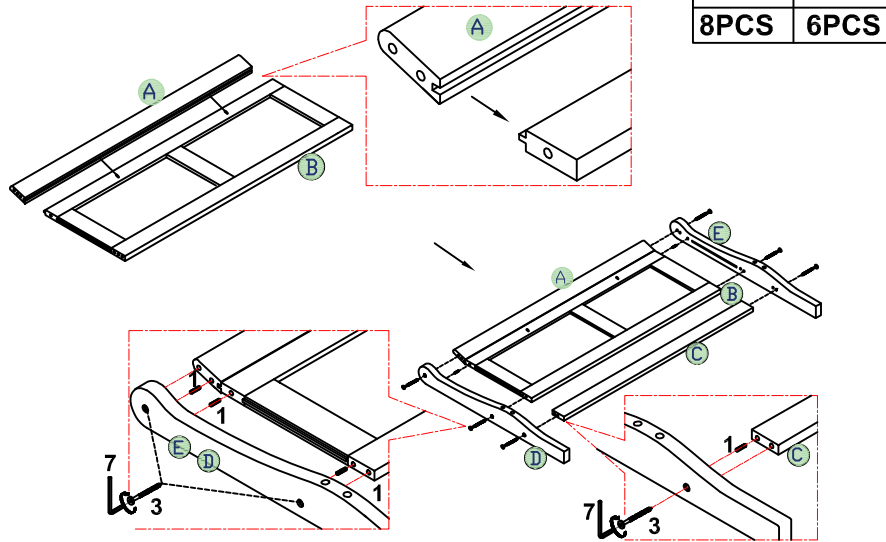
<b>1</b>  Ø10*30mm Wood dowel (20pcs)	<b>2</b>  (Ø15)1/4"*100mm Hex-Head bolts (8pcs)	<b>3</b>  Ø6"*80mm Hex-Head bolts (10pcs)
<b>4</b>  (Ø15)1/4"*30mm Hex-Head bolts (12pcs)	<b>5</b>  #4*30mm Wood screws (24pcs)	<b>6</b>  Ø1/4"*15 (9.5mm) Horizontal-Hole bolts(8pcs)
<b>7</b>  (1/4")4.5*58mm Allen key (1pc)		

ASSEMBLY TOOLS REQUIRED ( NOT INCLUDED )



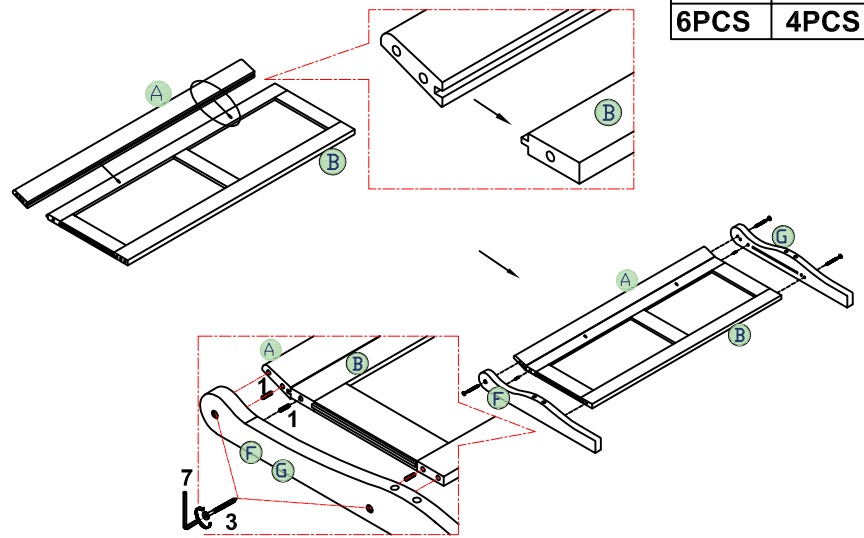
PLEASE BE CAREFUL DO NOT DAMAGE THE HOLE POSITION WHEN YOU USE POWER TOOLS !

STEP 1:



1		3	
8PCS		6PCS	

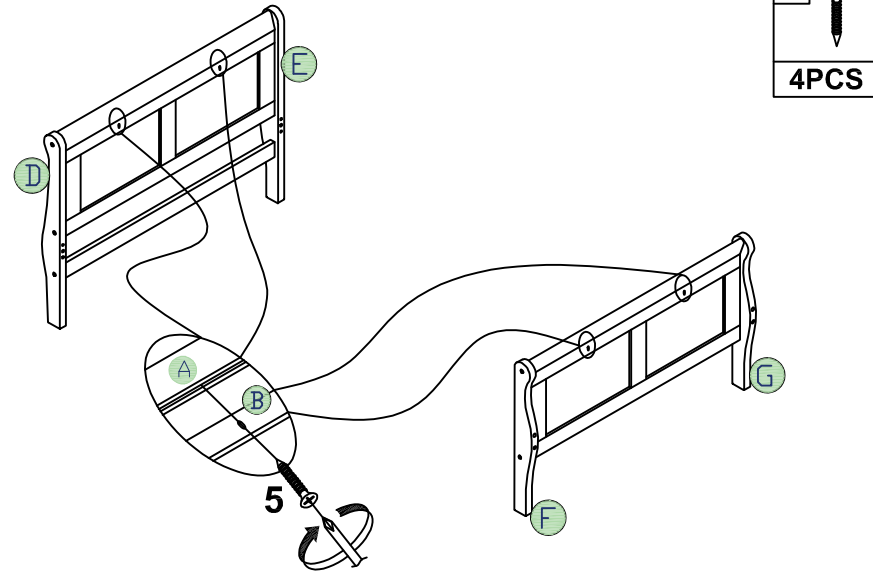
STEP 2:



1		3	
6PCS		4PCS	

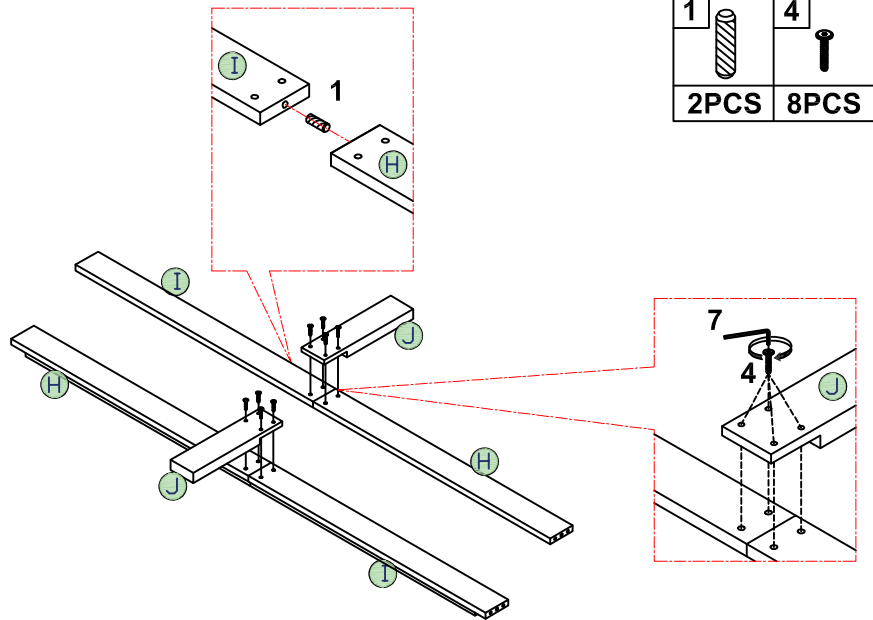
5

5



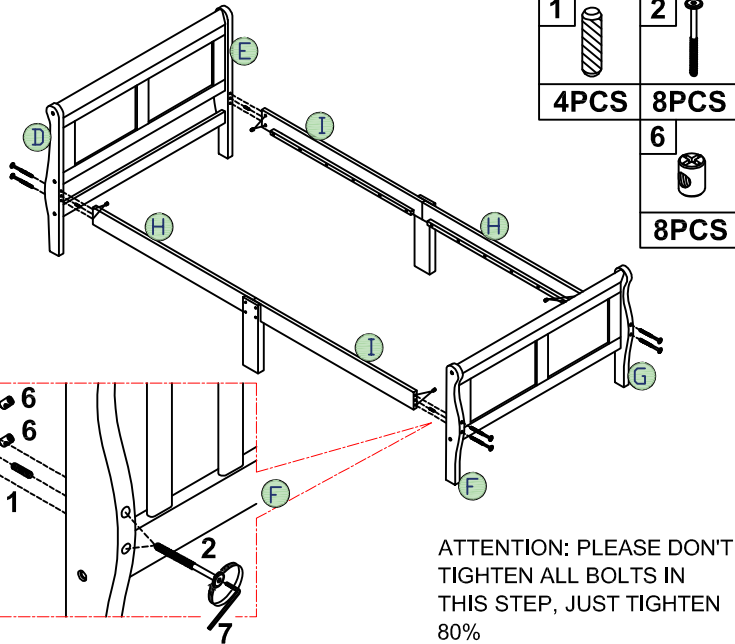
4PCS

1		4	
2PCS		8PCS	



6

**STEP 3:**

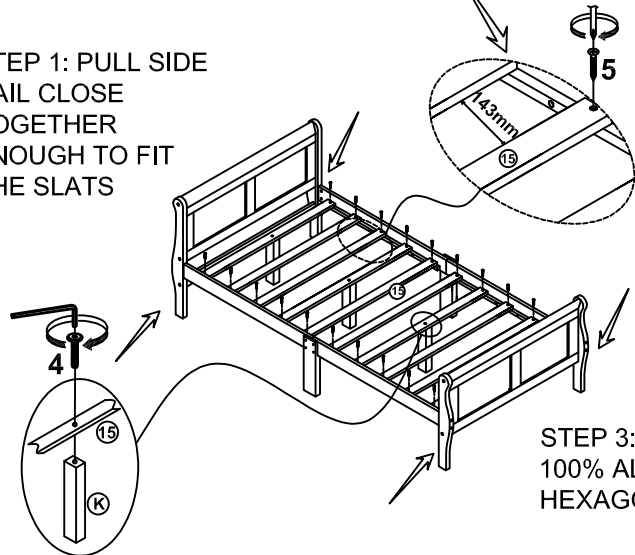


1		2	
4PCS		8PCS	
		6	
		8PCS	

**STEP 4:**

STEP 1: PULL SIDE RAIL CLOSE TOGETHER ENOUGH TO FIT THE SLATS

STEP 2: SCREW ALL SLATS



4		5	
4PCS		20PCS	

**COMPLETED**

