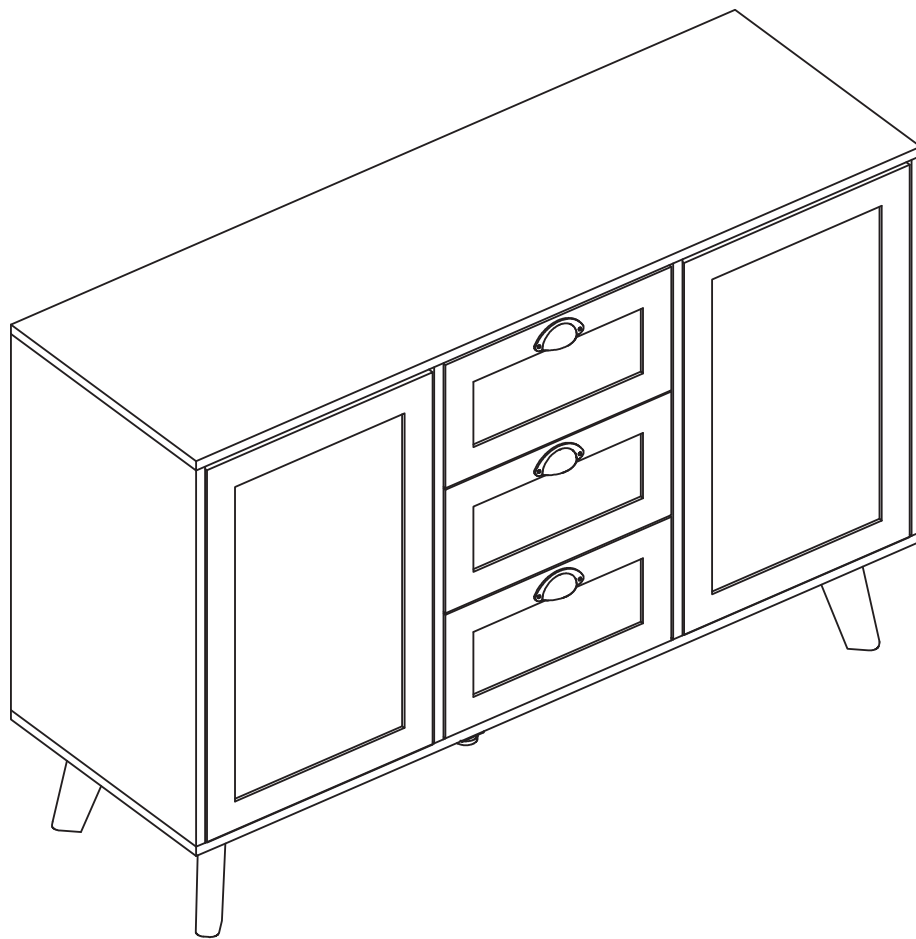


INSTRUCTION MANUAL

RATTAN CABINET WITH 3 DRAWERS AND 2 DOORS





Estimated Time for Assembly

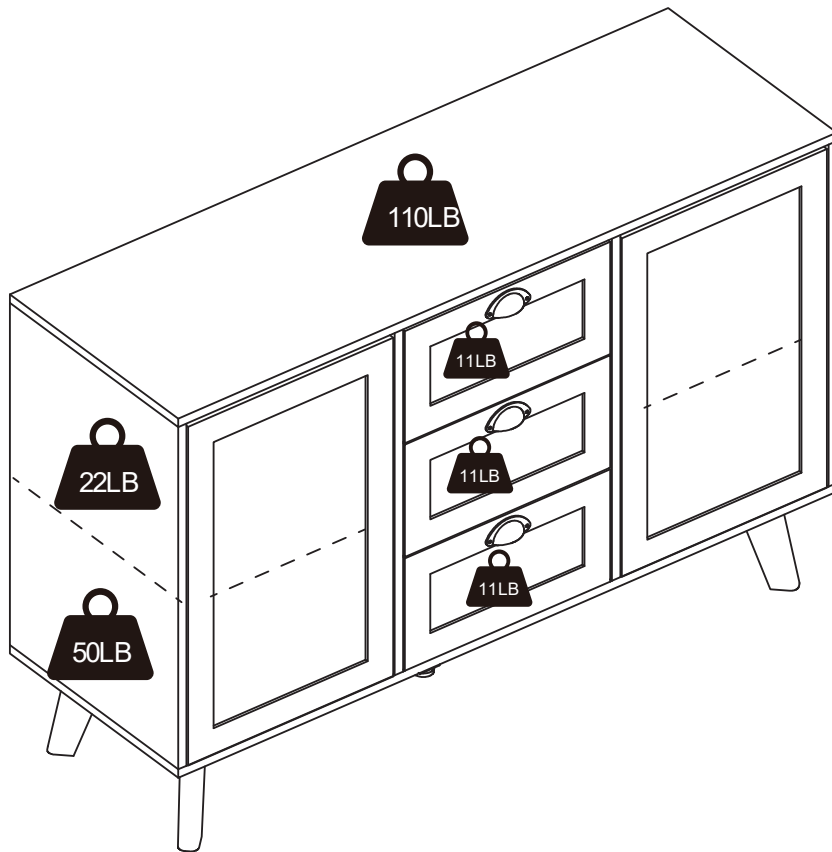
120 min



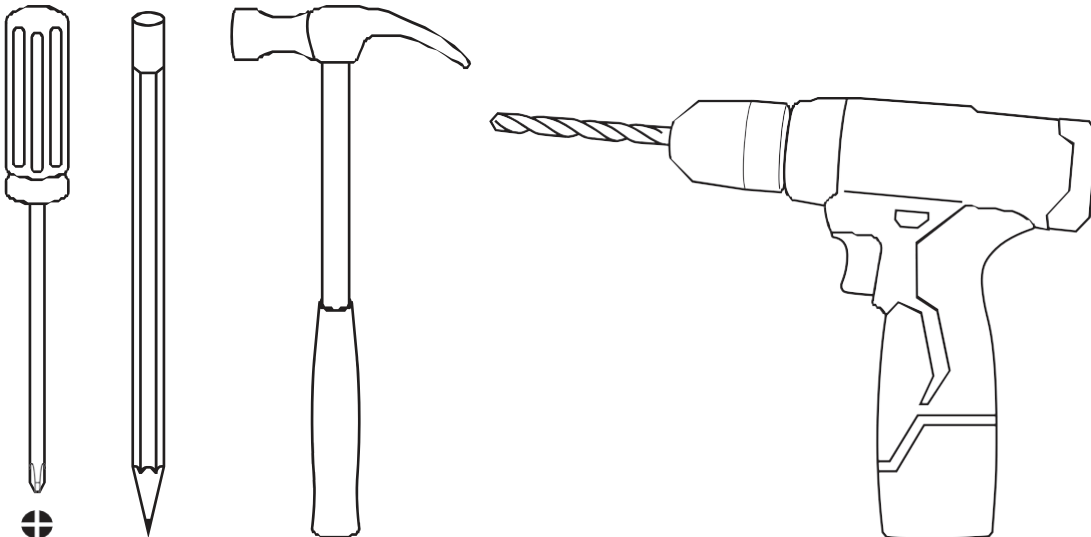
Weight Limitation (Evenly)

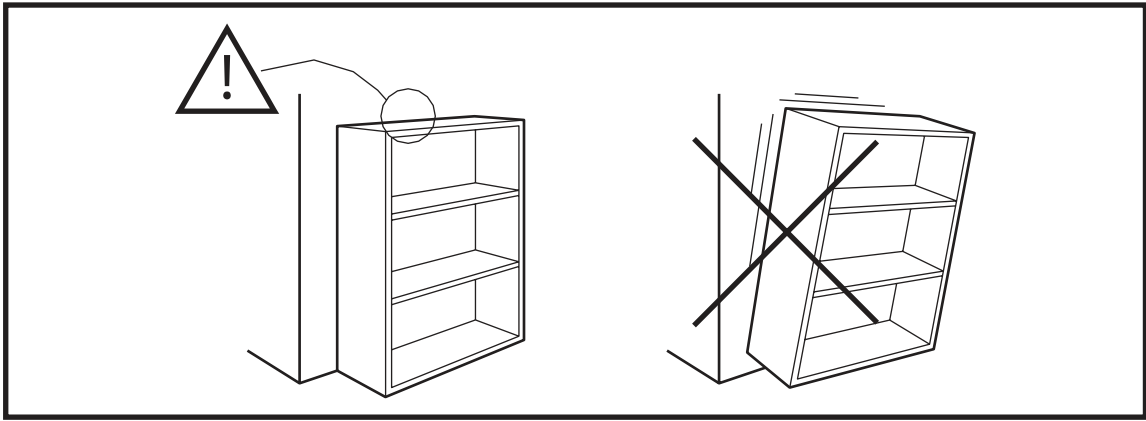
LB

287 lb overall



Tools Needed (Not included)

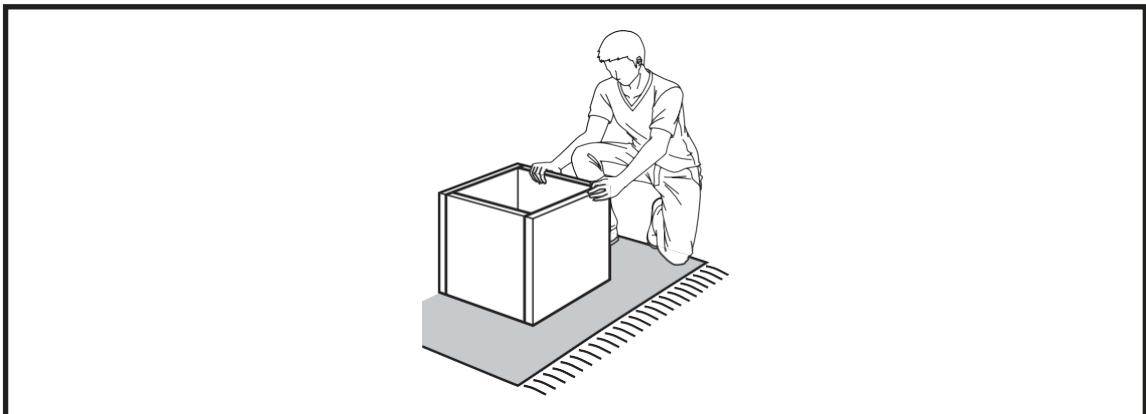




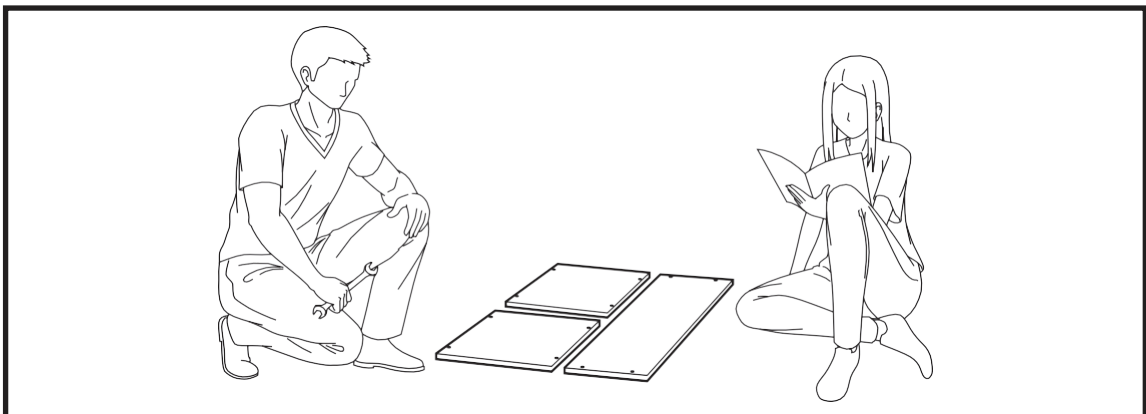
Warning

Serious or fatal crushing injuries may occur if the furniture tip-over. Furniture must be permanently fixed to the wall with included anti-tipping device to prevent the furniture from tipping over.

Different wall materials require different types of fixing device. Use suitable fixing device to secure the stability and load bearing capacity of the furniture. If you are uncertain about which type of fixing device to use, please contact your local hardware store.



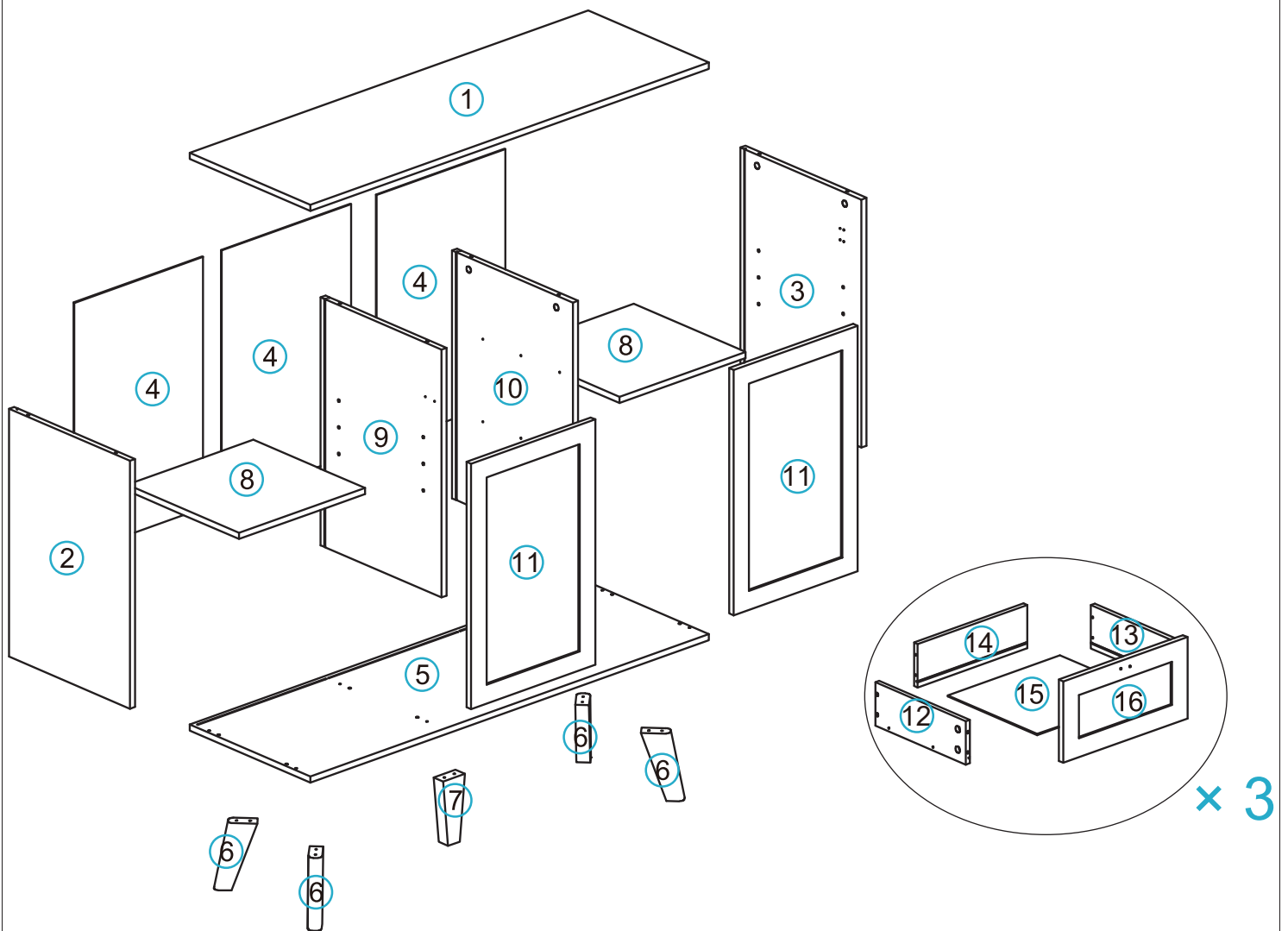
Assemble the furniture on empty carton, carpet, or rug to prevent scratches or damage.













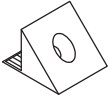






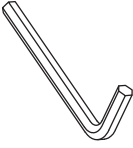

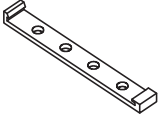
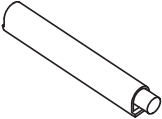
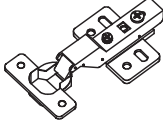

This furniture requires 2 people to assemble.

Make sure no parts are missing or damaged before assembly.

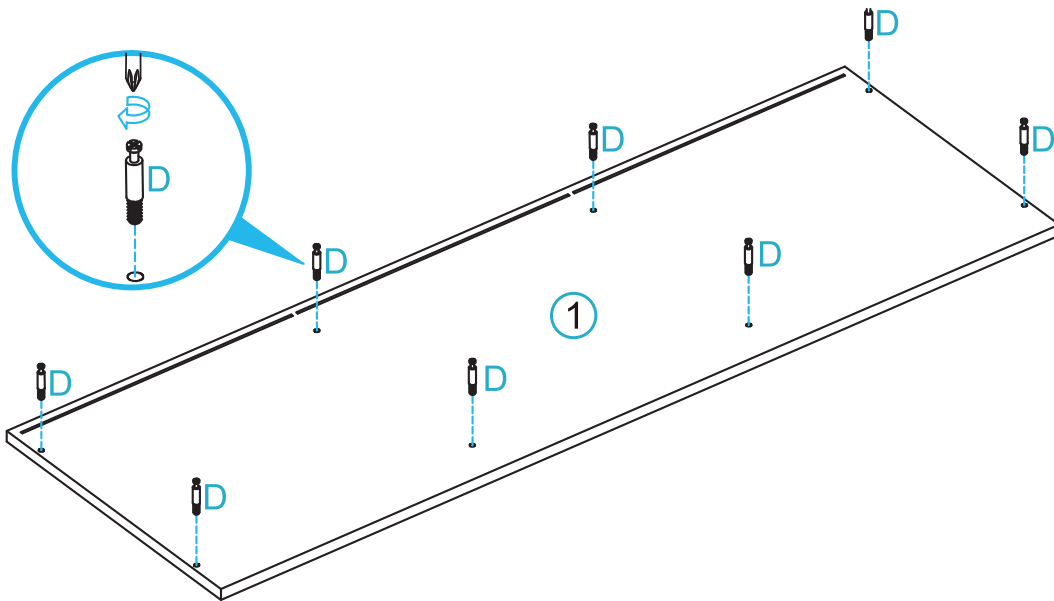
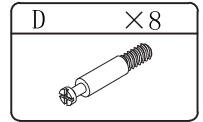
PART LIST



HARDWARE LIST

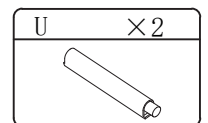
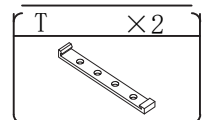
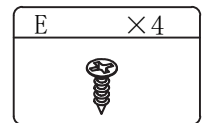
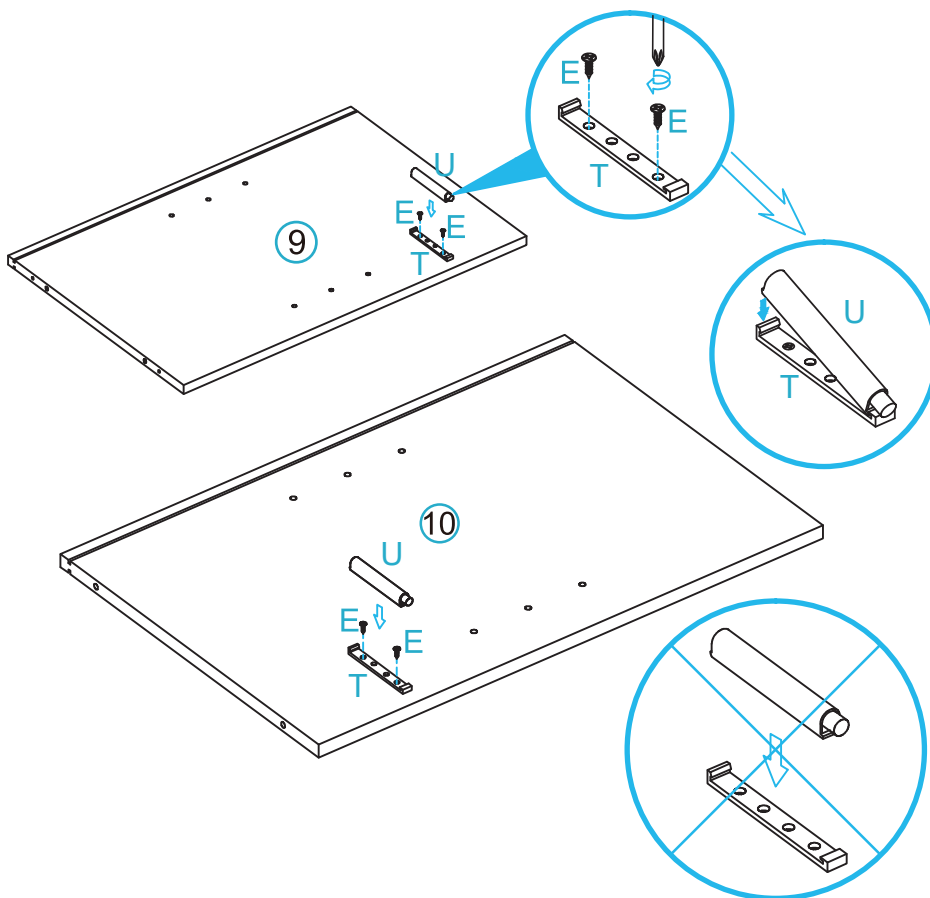
<p>A</p> 	<p>B</p> 	<p>C</p> 	<p>D</p> 	<p>E</p> 
<p>8PCS</p>	<p>4x35mm 22PCS</p>	<p>15x10mm 20PCS</p>	<p>6x35mm 20PCS</p>	<p>3x12mm 58PCS</p>
<p>F</p> 	<p>G</p> 	<p>H</p> 	<p>I</p> 	<p>J</p> 
<p>6x12mm 20PCS</p>	<p>5PCS</p>	<p>4PCS</p>	<p>2PCS</p>	<p>2PCS</p>
<p>K</p> 	<p>L</p> 	<p>M</p> 	<p>N</p> 	<p>O</p> 
<p>12PCS</p>	<p>3x14mm 14PCS</p>	<p>3PCS</p>	<p>3PCS</p>	<p>3PCS</p>
<p>P</p> 	<p>Q</p> 	<p>R</p> 	<p>S</p> 	<p>T</p> 
<p>3x12mm 6PCS</p>	<p>5x40mm 10PCS</p>	<p>1PC</p>	<p>1PC</p>	<p>2PCS</p>
<p>U</p> 	<p>Y</p> 	<p>W</p> 		
<p>2PCS</p>	<p>4PCS</p>	<p>8PCS</p>		

Step 1.



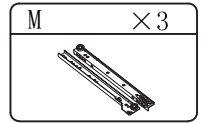
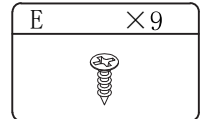
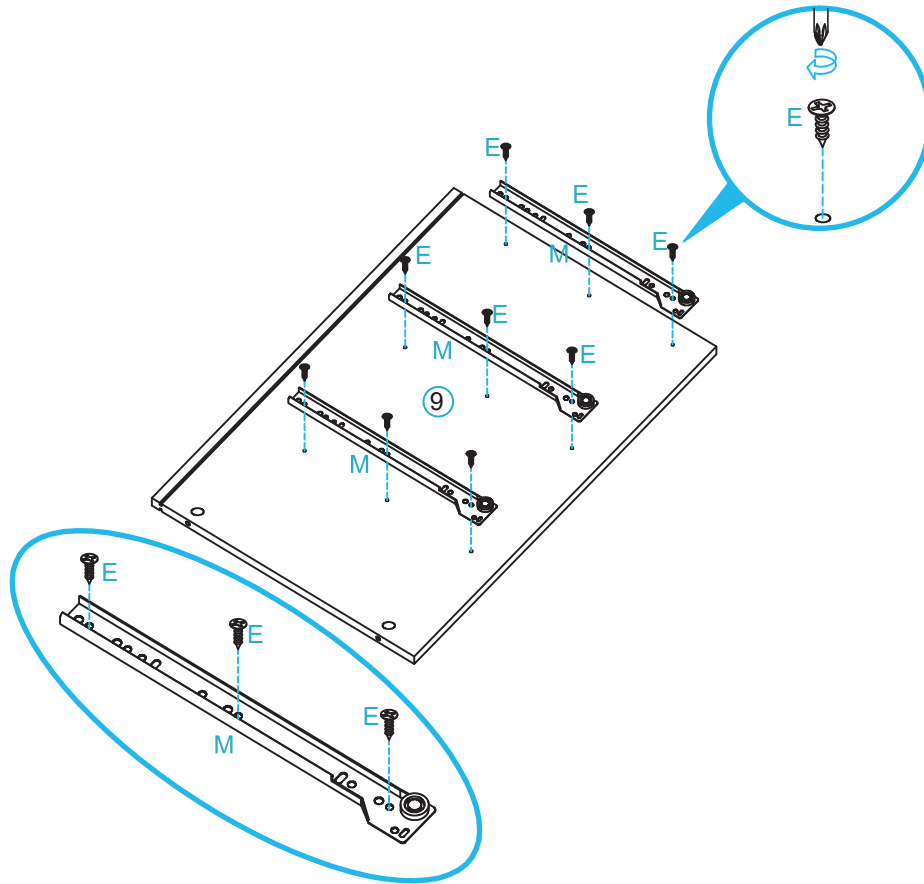
Attach 8 x bolts (D) to panel [1]. Tighten with a screwdriver.

Step 2.



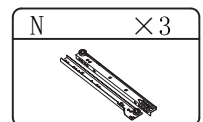
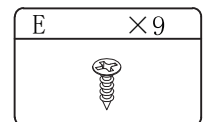
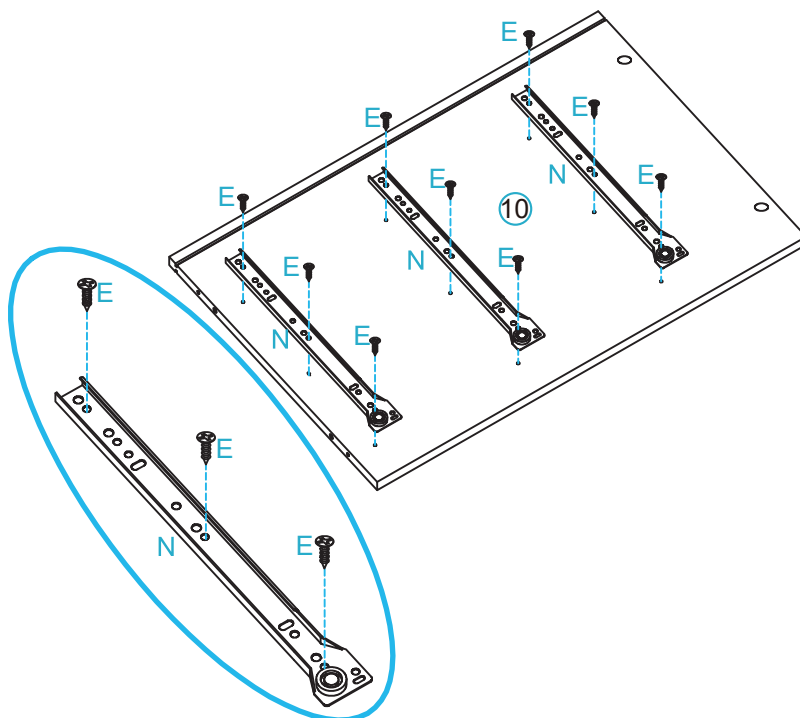
Attach 2 x supports (T) to panels [9] and [10] and secure with 4 x screws (E). Tighten with a screwdriver. Attach 2 x beams (U) to 2 x supports (T) as shown.

Step 3.



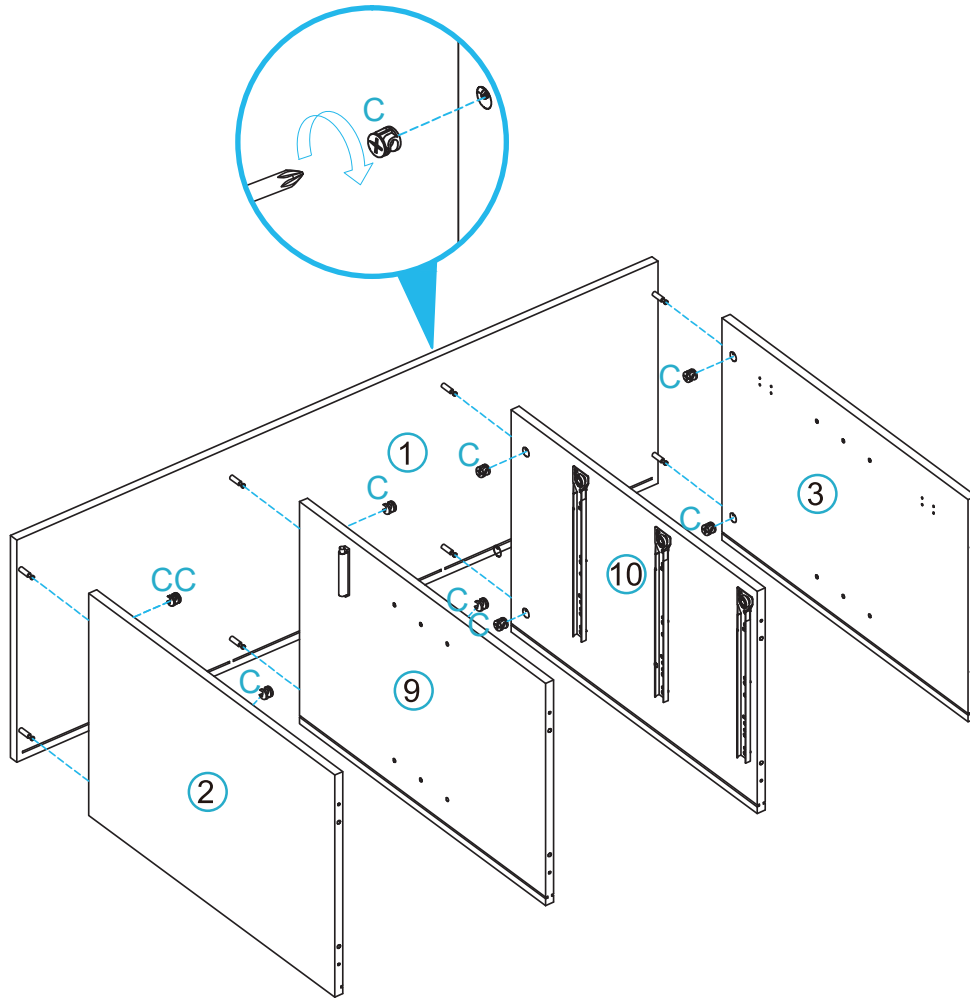
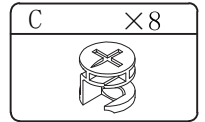
Attach 3 x rails (M) to panel [9] and secure with 9 x screws (E). Tighten with a screwdriver.

Step 4.



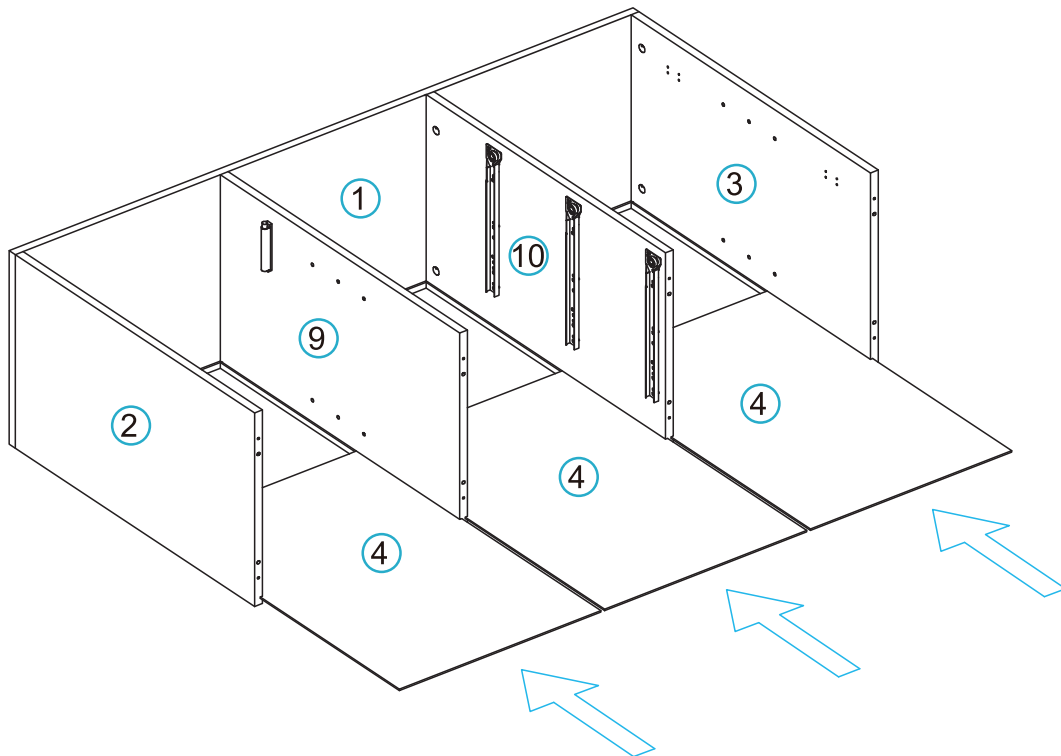
Attach 3 x rails (N) to panel [10] and secure with 9 x screws (E). Tighten with a screwdriver.

Step 5.



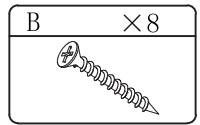
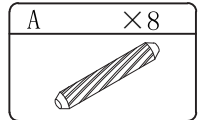
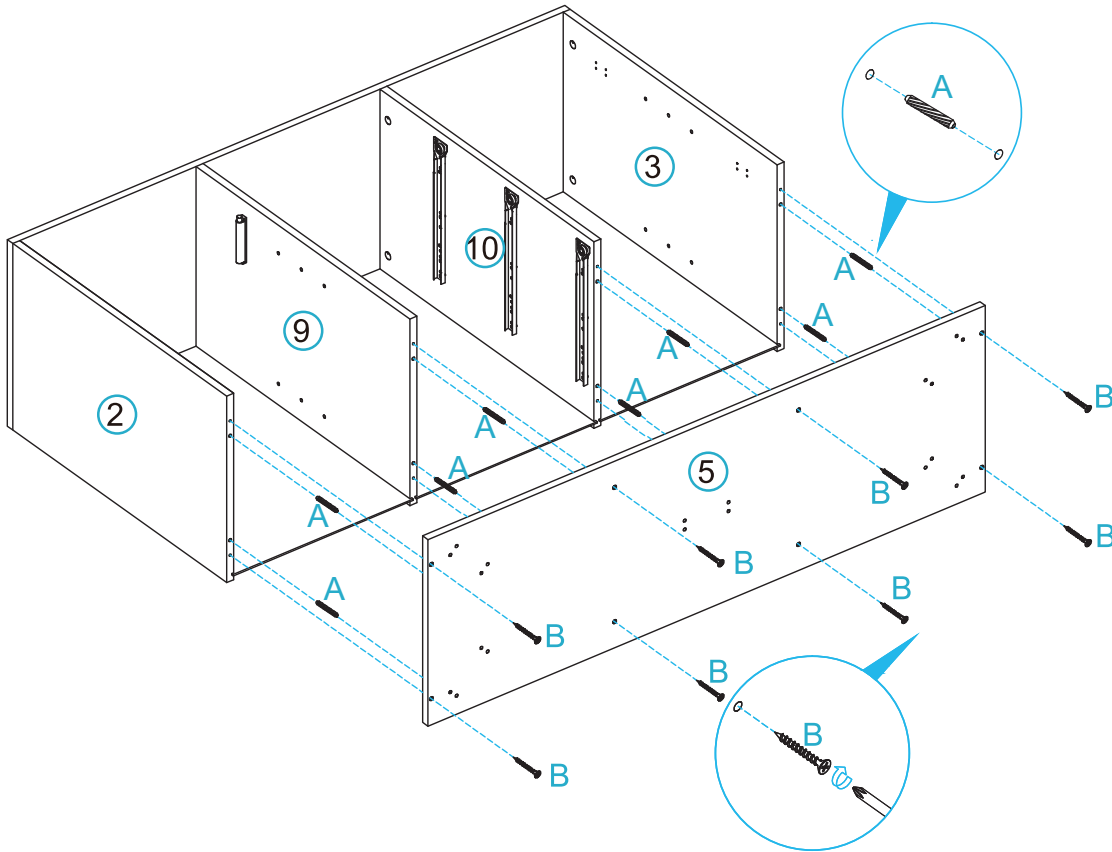
Attach panels [2], [9], [10] and [3] to panel [1] and secure with 8 x locking nuts (C). Tighten with a screwdriver.

Step 6.



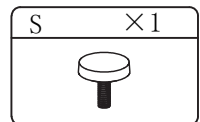
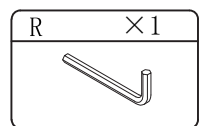
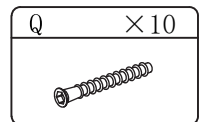
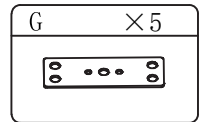
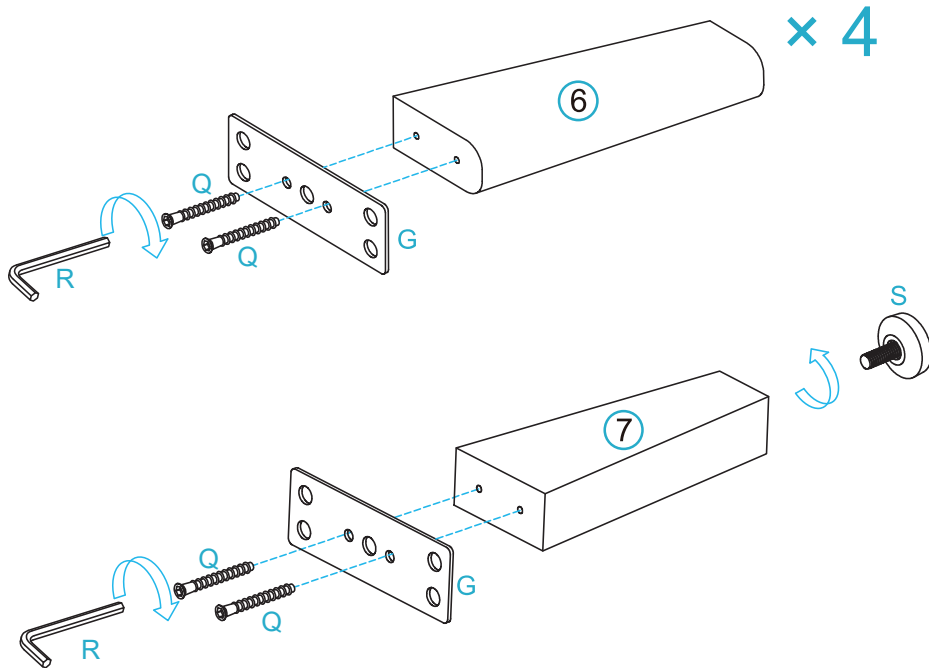
Slide 3 x panels [4] into the assembled frame as shown.

Step 7.



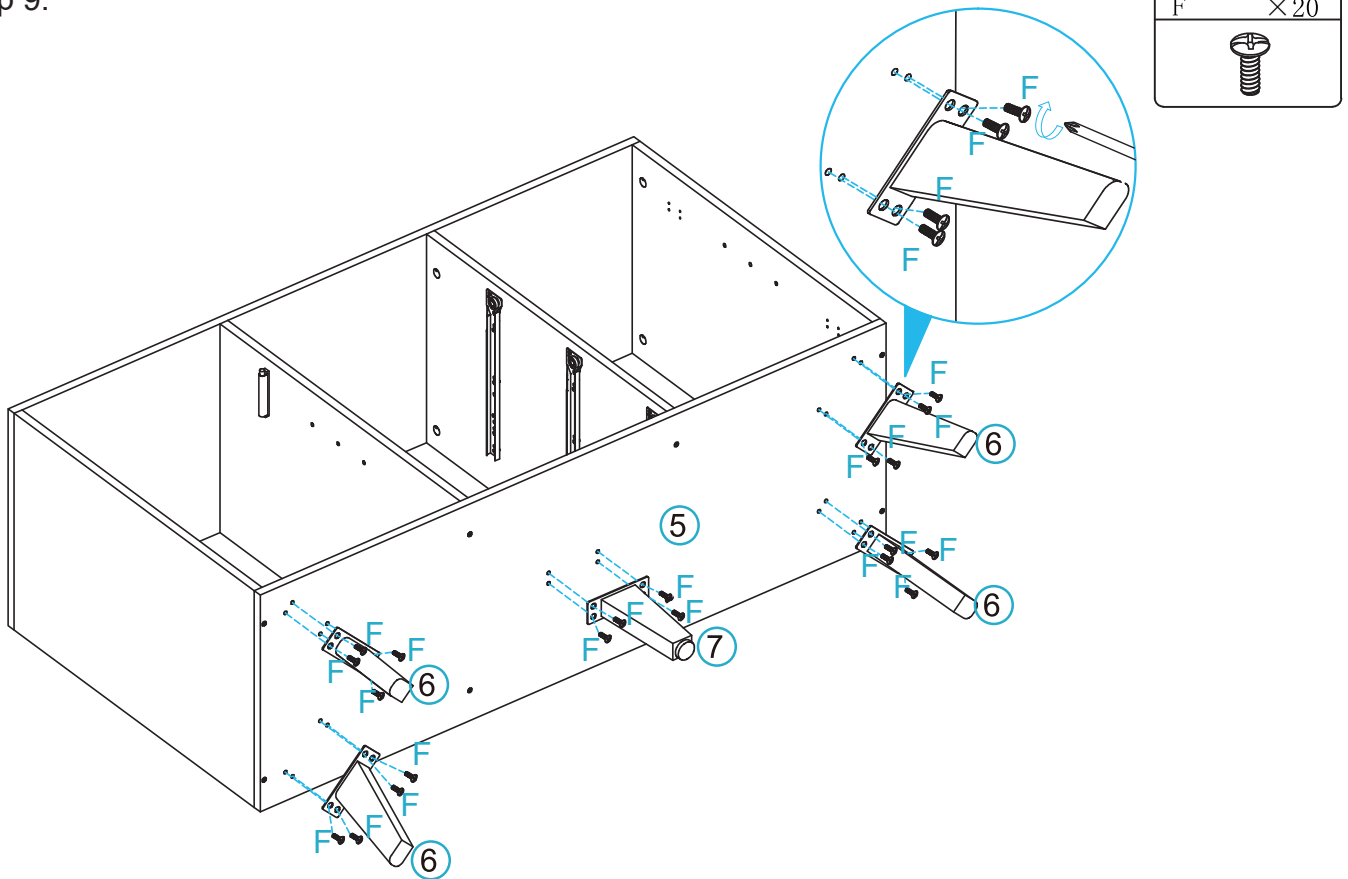
Insert 8 x dowels (A) into panels [2], [9], [10] and [3]. Attach panel [5] to panels [2], [9], [10] and [3] and secure with 8 x screws (B). Tighten with a screwdriver.

Step 8.



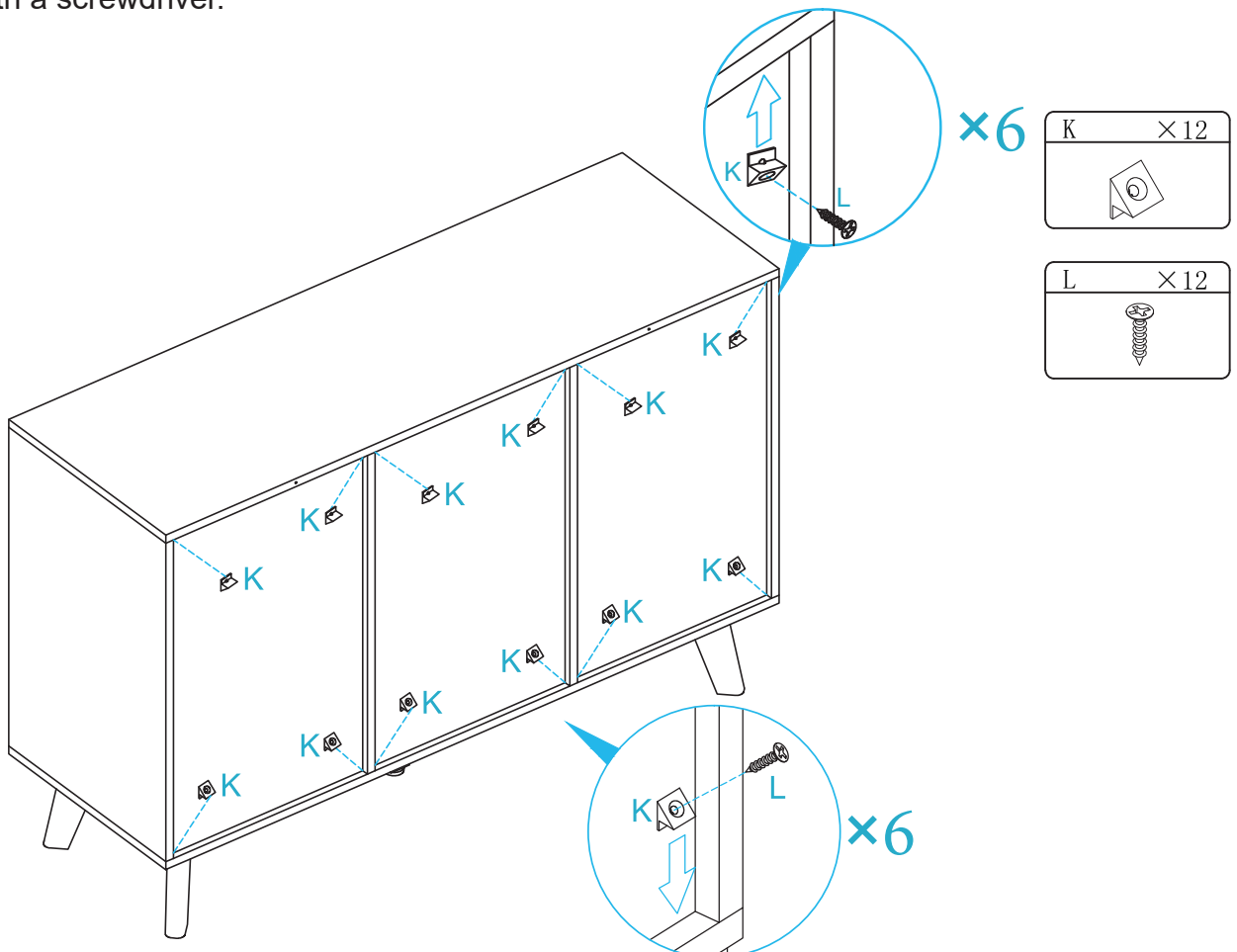
Attach 10 x screws (Q) and 5 x plates (G) to 4 x legs [6] and 1 x leg [7]. Tighten with an Allen Key (R). Attach 1 x foot (S) to panel [7].

Step 9.



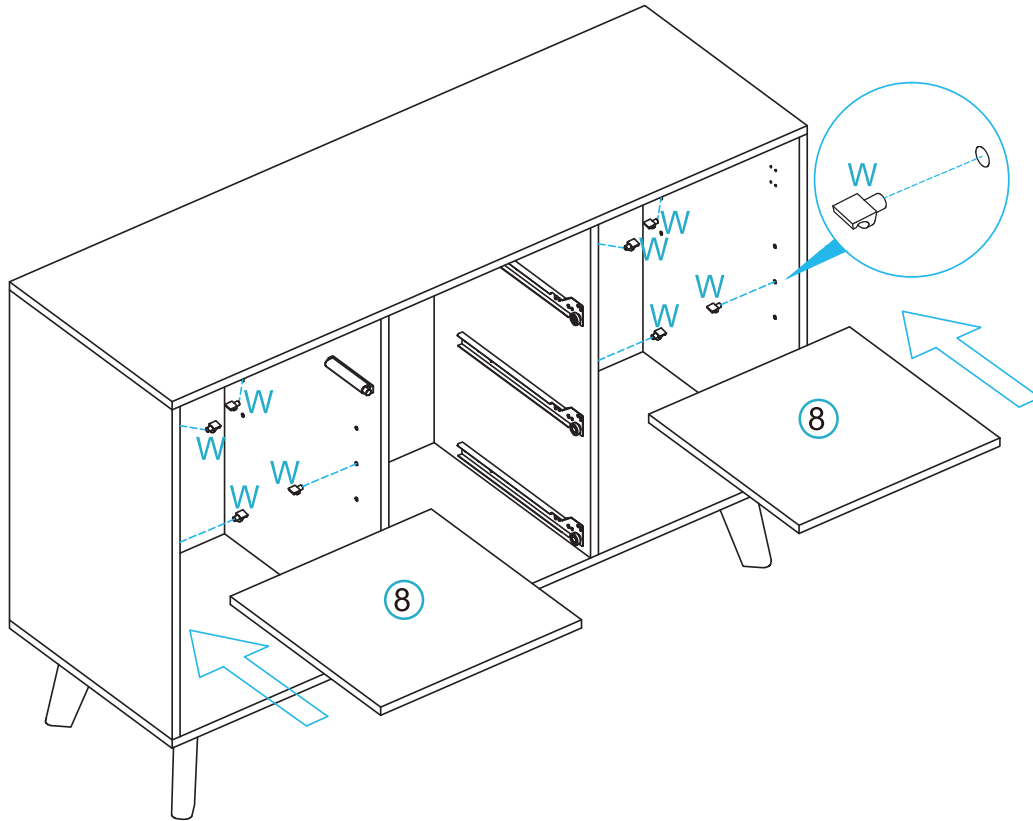
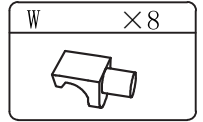
Attach 4 x legs [6] and 1 x leg [7] to panel [5] and secure with 20 x screws (F).
Tighten with a screwdriver.

Step 10.



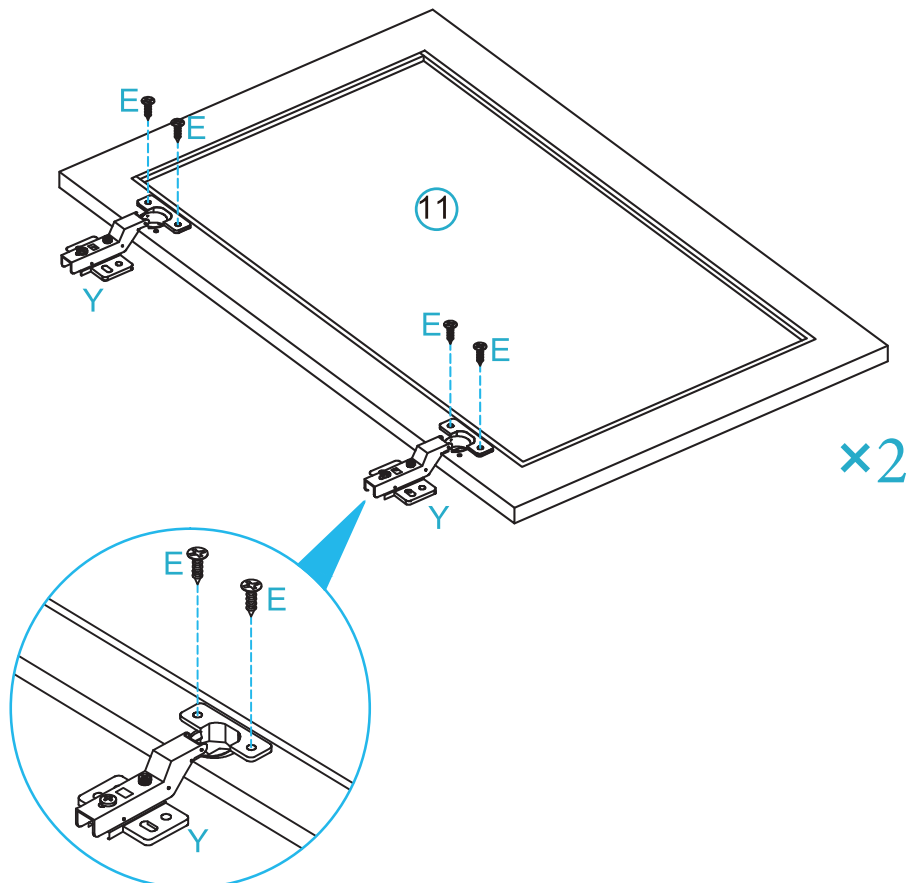
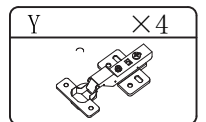
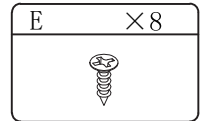
Attach 12 x braces (K) to back of assembled frame as shown and secure with 12 x screws (L).
Tighten with a screwdriver.

Step 11.



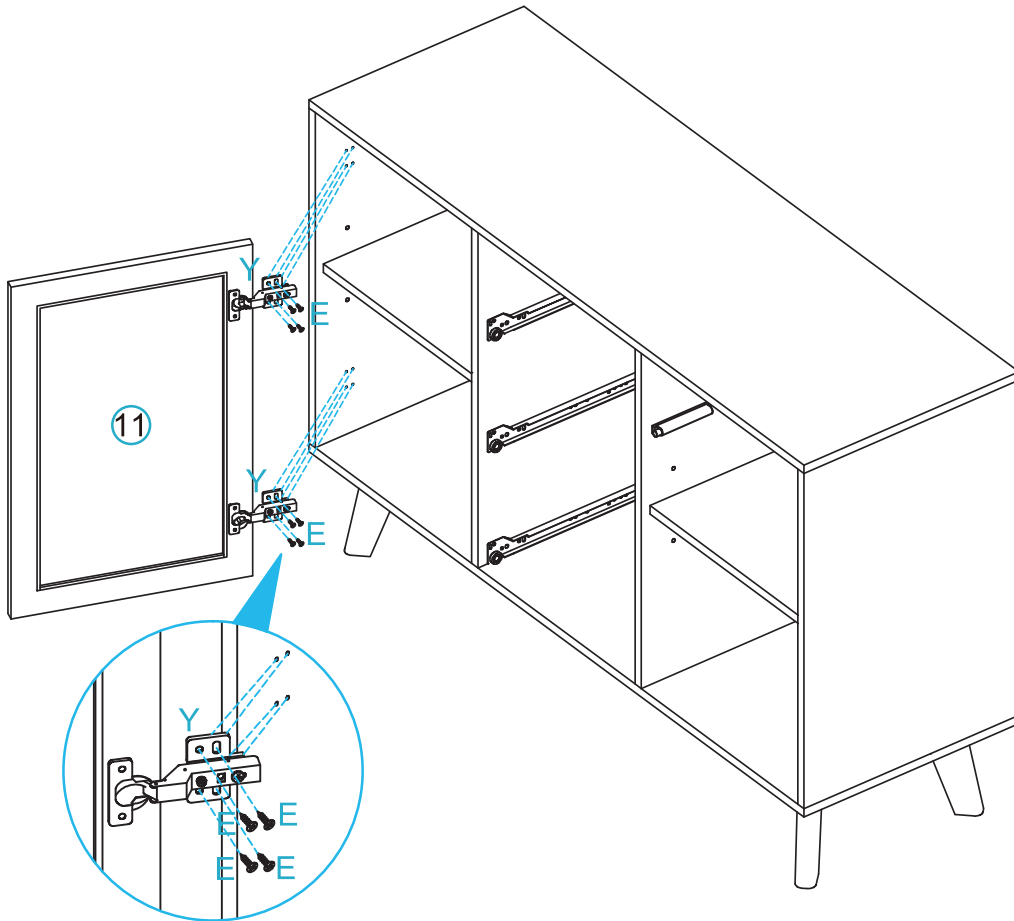
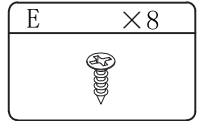
Insert 8 x guides (W) into assembled frame as shown. Slide 2 x panel [8] into position

Step 12.



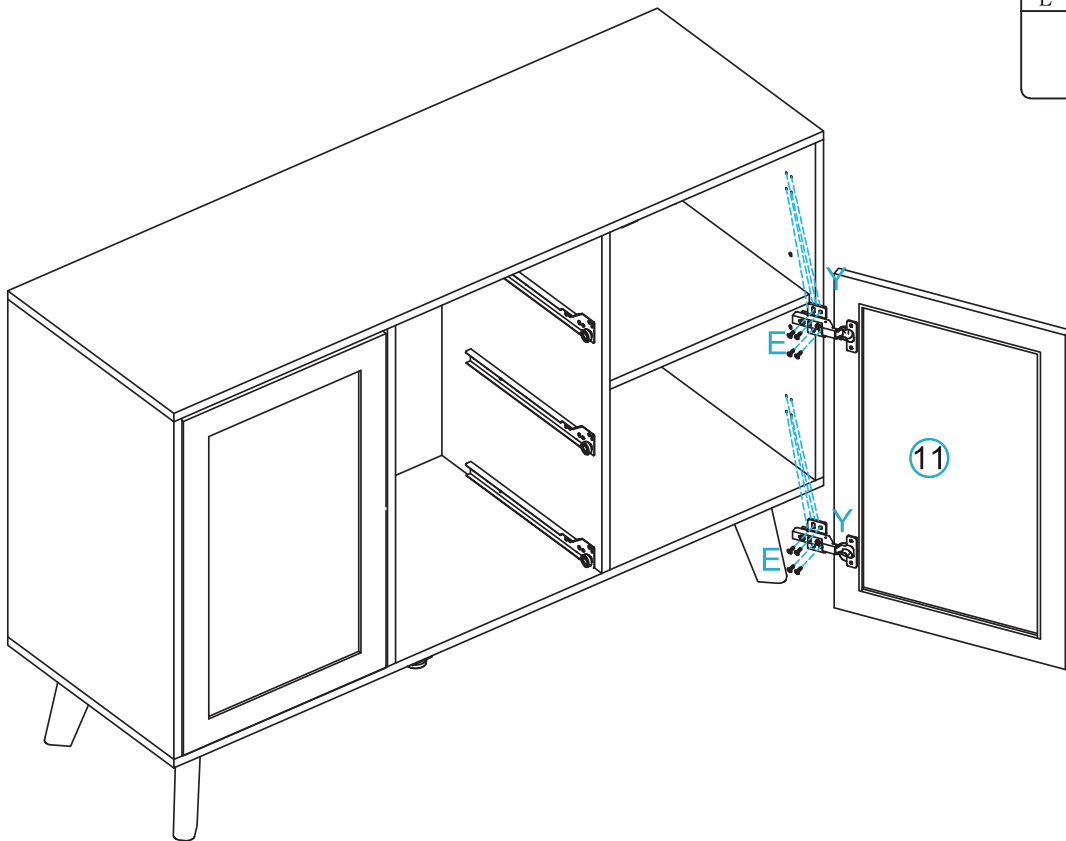
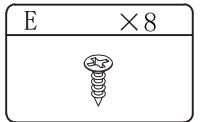
Attach 2 x hinges (Y) to panel [11] and secure with 4 x screws (E). Tighten with a screwdriver. 11

Step 13.



Attach panel [11] to assembled frame and secure with 8 x screws (E). Tighten with a screwdriver.

Step 14.



Attach panel [11] to assembled frame and secure with 8 x screws (E). Tighten with a screwdriver.

How to adjust hidden cabinet hinges

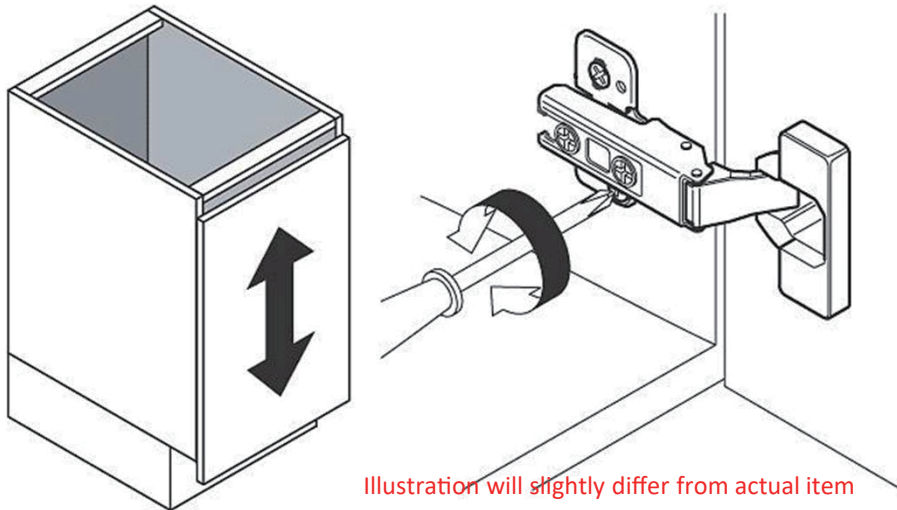
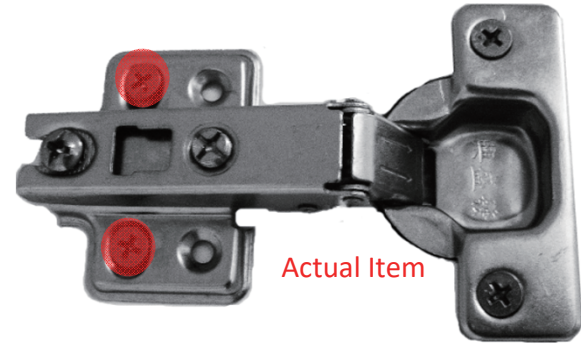


Illustration will slightly differ from actual item



Actual Item

Screws must be loosen by turning CCW and the door can be adjusted to desire position. The screw then must be tighten by turning clockwise to fix the position.

Height Adjustment – helps you to adjust doors so they align at the top and bottom. Note: Run your hand along the underside of the doors. You will easily feel which doors are sitting lower than the others.

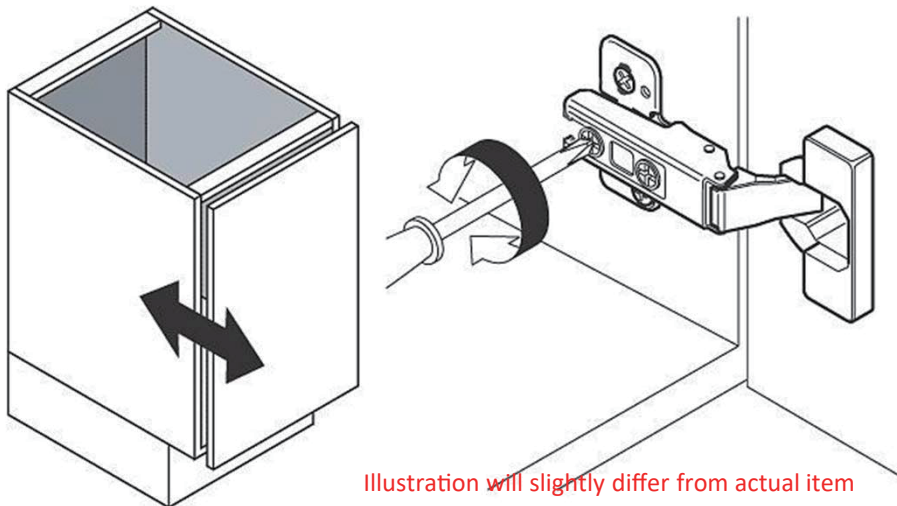
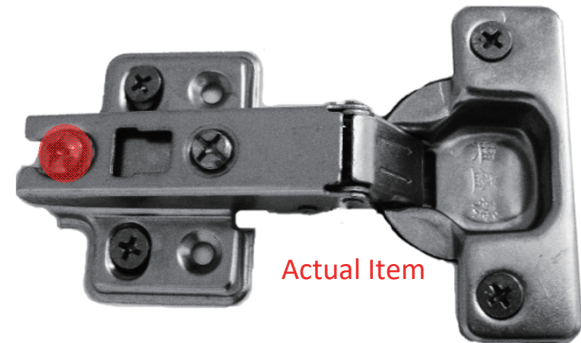


Illustration will slightly differ from actual item



Actual Item

Screw must be loosen by turning CCW and the door can be push inwards or pull outwards to desire position. The screw then must be tighten by turning clockwise to fix the position.

Depth Adjustment- Lets you bring a door into alignment with vertical surfaces such as drawers

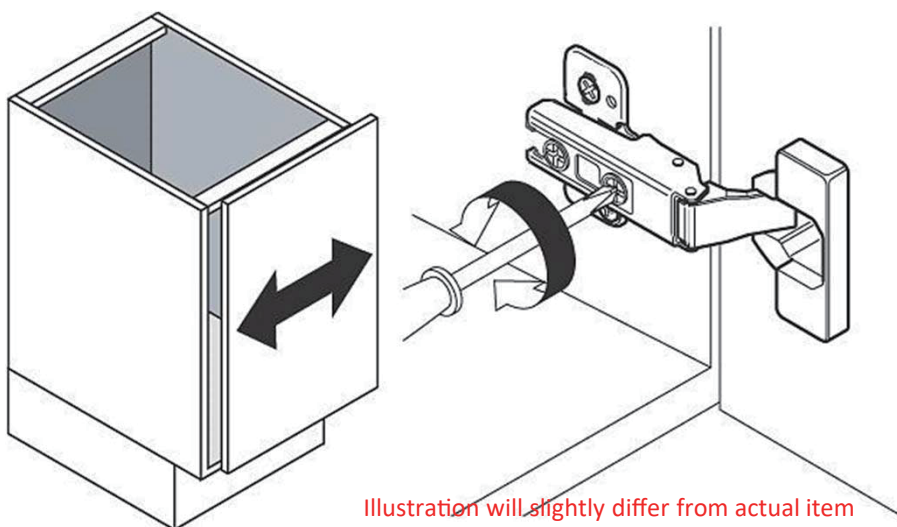
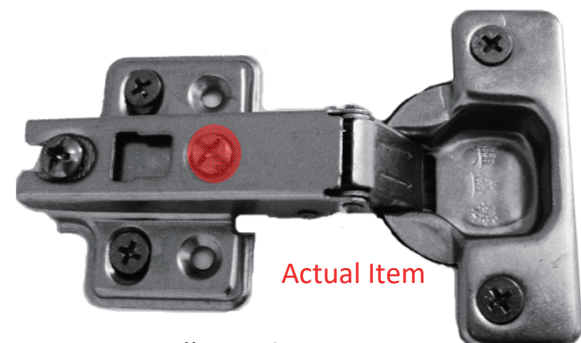


Illustration will slightly differ from actual item

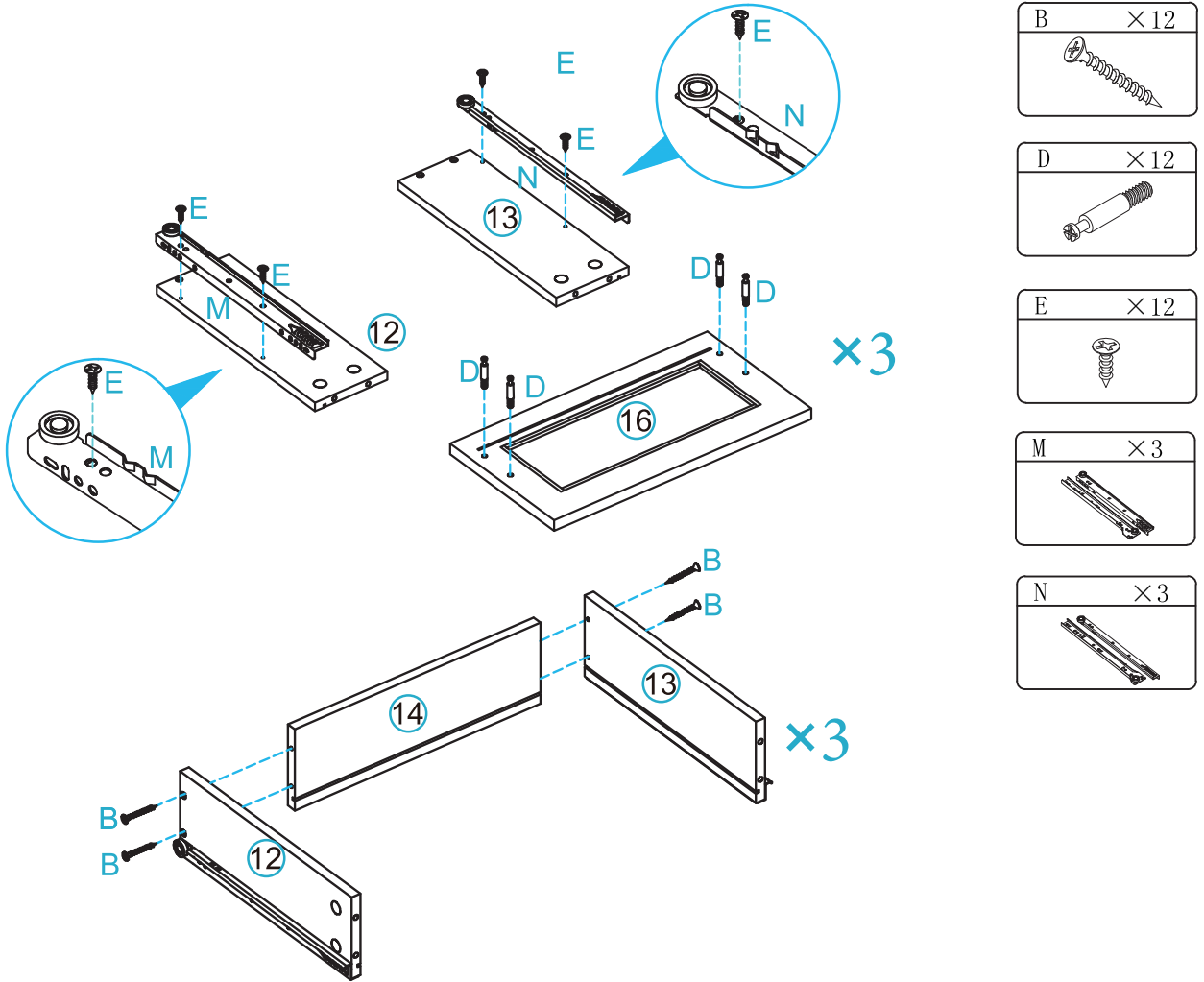


Actual Item

Same as illustration.

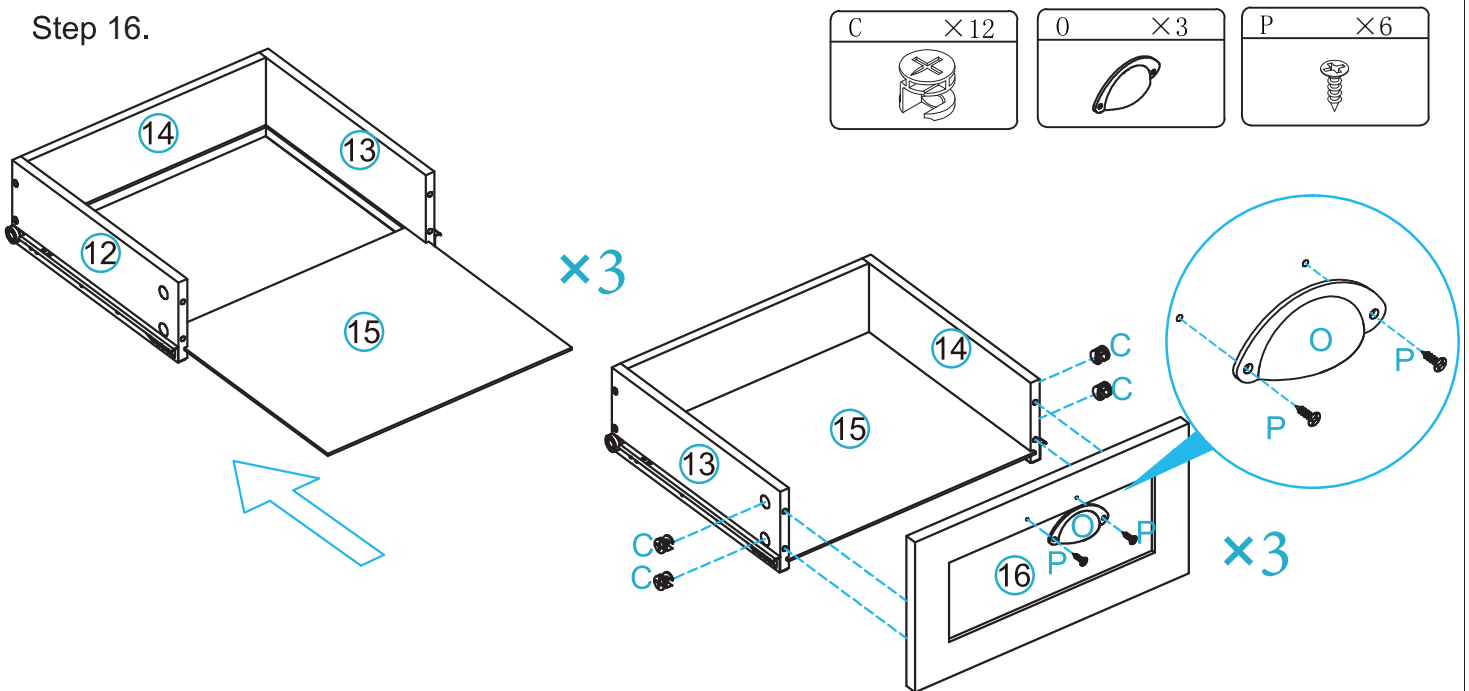
Side Adjustment- adjusts gaps between doors and alleviates rubbing doors.
Note: Right Side Hinge: Clockwise moves door to RIGHT, CCW moves door to LEFT
Left Side Hinge: Clockwise moves door to LEFT, CCW moves door to RIGHT

Step 15.



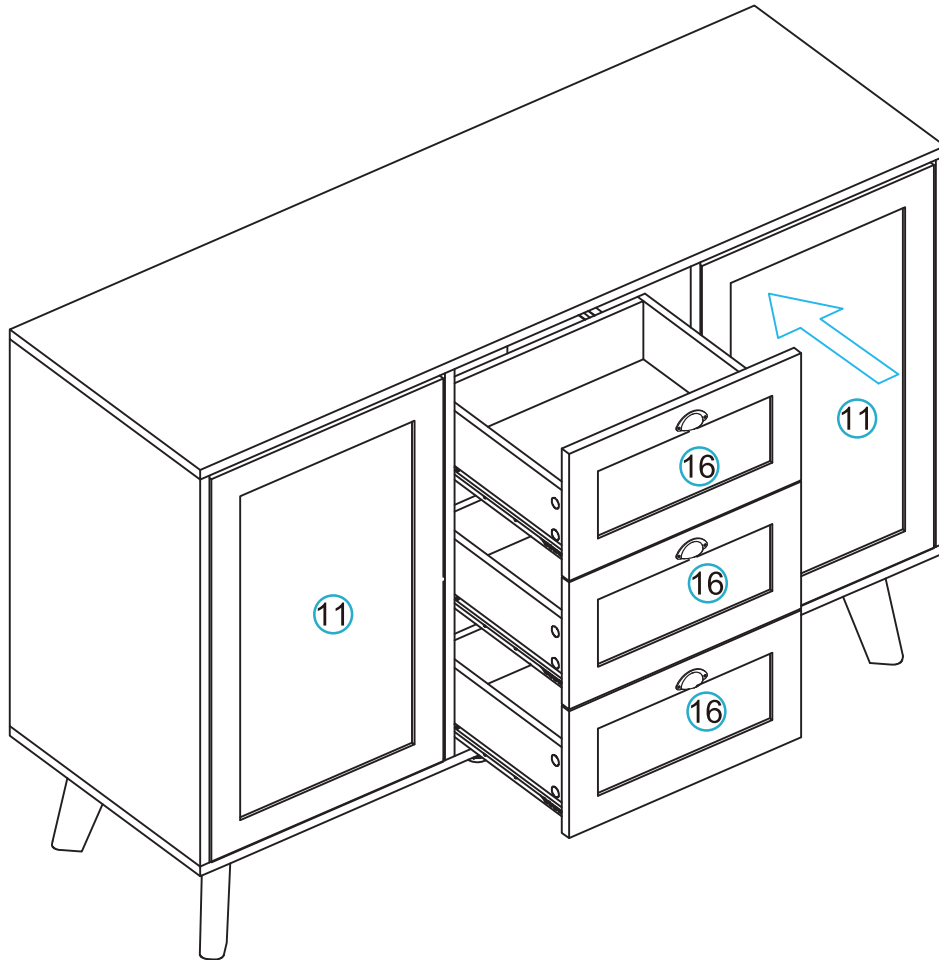
Attach 1 x rail (M) and 1 x rail (N) to panels [12] and [13] and secure with 4 x screws (E). Attach 4 x bolts (D) to panel [16]. Attach panels [12] and [13] to panel [14] and secure with 4 x screws (B). Tighten with a screwdriver.

Step 16.



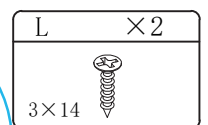
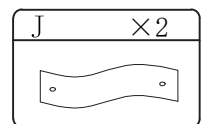
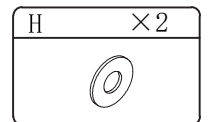
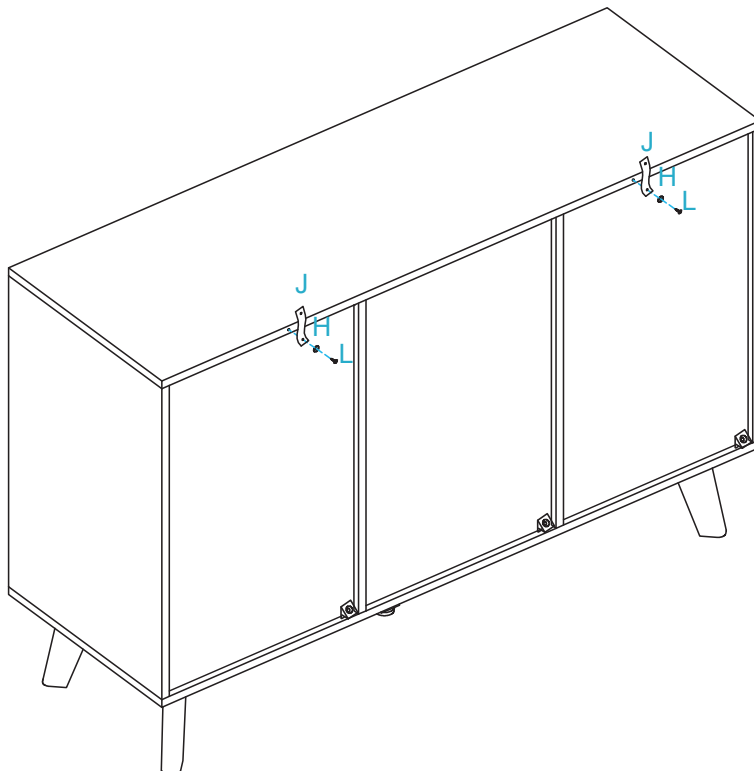
Slide panel [15] into position as shown. Attach 1 x handle (O) to panel [16] and secure with 2 x screws (P). Attach panel [16] to assembled frame and secure with 4 x locking nuts (C). Tighten with a screwdriver.

Step 17.



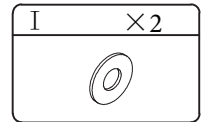
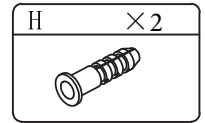
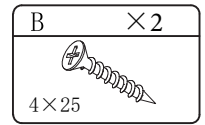
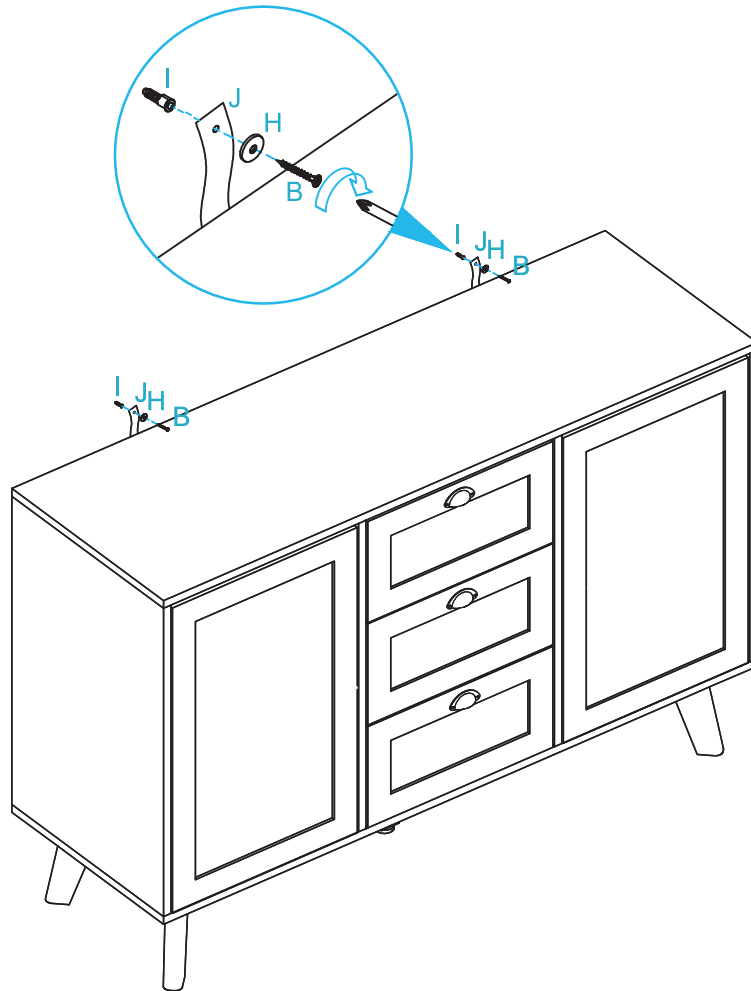
Slide assembled drawers into position as shown.

Step 18.



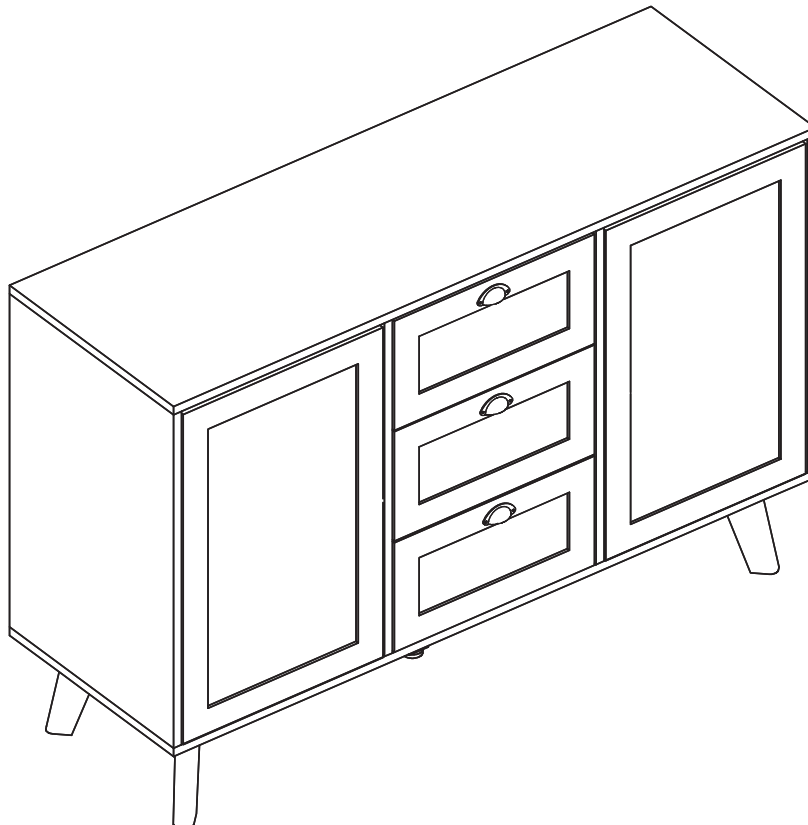
Attach 2 x wall straps (J) to back of assembled frame and secure with 2 x washers (H) and 2 x screws (L). Tighten with a screwdriver.

Step 19.



Once assembled lift furniture into place, do not drag. Use a drill to create a small hole lining up with the top of the safety strap (J). Fasten to the wall using 1x wall anchor (I), 1x screw (B) and 1 x washer (H). Ensure unit is balanced and steady before use.

Step 20.



FINISH!

USE & CARE INSTRUCTIONS

KEEPING YOUR FURNITURE BEAUTIFUL

Quality furniture is a significant investment expected to last for years on end. To maintain its beauty & help it last, furniture needs the right care, as no finish is totally indestructible. However, with regular care, the finish will last much longer, providing years of enjoyment to you.

TIPS TO PROTECT & CARE FOR YOUR FURNITURE

1. Avoid placing your furniture in direct sunlight, as sunlight causes fading.
2. Avoid extreme changes in temperature by arranging furniture away from radiators, heat & air vents & air conditioning units.
3. Avoid placing plastic or rubber materials (lamp bases, notebooks, placemats, etc.) on your furniture, as certain plastics contain ingredients that may damage the finish.
4. Periodically rotate accessories on furniture, do not sit in the same place all the time.
5. Use pads, cloth or felt to protect the furniture surface from plastic, rubber, hot dishes beverages, bookends, flowerpots & vases.
6. Clean up spills immediately, using a blotting rather than wiping action, as water left over a long time will cause white spots in the finish. Alcohol, perfume, after-shave & medications can cause severe finish damage.
7. Use a protective pad when writing on the furniture surface.
8. Lift & place objects rather than dragging them across the furniture surface.
9. Avoid placing furniture directly under windows.
10. Use cutting boards and trivets for food preparation in order to avoid damaging the top of the furniture

WOOD FURNITURE CARE

We recommend dusting frequently with a clean, soft, dry, lint-free cloth. Wipe spills immediately with a clean cloth. Clean the surface by rubbing follow the direction of the grain and wipe dry. We recommend polishing your furniture approximately every six months. We do not recommend use aerosol-powered cleaners, polishes that contain silicone, waxes, abrasives, or oil based.

LEATHER FURNITURE CARE

To prevent cracks and surface damage we recommend keeping away from high humidity and low temperature rooms. Do not place close to fire, stoves or heaters. Wipe spills immediately with clean non-abrasive cloth or sponge. For spots or stains, clean with mild detergent and warm water. Wring out excess water make cloth is damp before use. Rinse cloth in clear water and wring out, then wipe again to remove detergent residue. To prevent damage use a dry cloth to wipe excess moisture. Also, do not use chemical cleaners that contain bleach.

GRANITE CARE

Our granite is sealed. We recommend cleaning spills promptly. For daily cleaning, use warm water and a soft clean cloth. Granite cleaners also can used for deep cleaning. We do not recommend using abrasive cleaners, chemical solvents, strong detergents, cleaners with bleach or vinegar. Be sure to use trivets, coasters, placemats, or adhesive felt pads to help prevent scratches.

FAUX WOOD/MARBLE CARE

We recommend dusting frequently with a clean, soft, dry, lint-free cloth. Wipe spills immediately with a clean cloth. We do not recommend use aerosol-powered cleaners, polishes that contain silicone, waxes, abrasives, or oil-based. To avoid damaging the surface of the furniture, always use a cutting board when cutting food or other items on the surface. Do not place hot items directly on the surface; always use pads or trivets to prevent damage.

METAL FURNITURE CARE

Because most metals, except aluminum, are subject to rust, metal furniture is usually finished with layers of clear varnish, paint, or a durable powder coating. To clean, use a mild soap solution, scrub, rinse and dry. For outdoor furniture, make sure to drain any water that may accumulate inside the frames after rinsing. After cleaning, apply a coat of quality liquid or paste wax with a lint-free cloth. Use a silicone spray to lubricate swivels and glides on chairs. If metal outdoor furniture is caught during a sudden rainstorm, please make sure to drain any water that may have accumulated inside the frame and dry completely. **Please always cover the furniture when not use, and store properly during inclement weather and the winter/rainy seasons.** For indoor furniture, do not use abrasives products as this may lead to the accidental removal of antique finishes, also to staining or damage to surrounding areas of fabric.

FABRIC MATERIALS CARE

Prevent stains by removing crumbs, dust, dirt, and debris. To remove dirt and debris, vacuum with a dust-brush attachment. Clean spills immediately! For Linen – If the linen item is removable, place the item in a clean sink or tub with cool water and a mild detergent. Gently agitate the linen items, then remove from the soapy water. Rinse with cool water and hang dry. If not removable, then spot clean by dabbing with solution of cool water and a mild detergent on a soft nonabrasive cloth. For Microfiber - If the microfiber item is removable, use machine-wash them in cold water with mild detergent. No fabric softeners as they will clog the open spaces in the microfiber, making the fabric useless. Avoid washing the cotton items because the microfiber will grab on to the lint. If not removable, then spray the area lightly with a water-based solution; using a soft cloth and a blotting motion to remove the stain. Fully air dry.