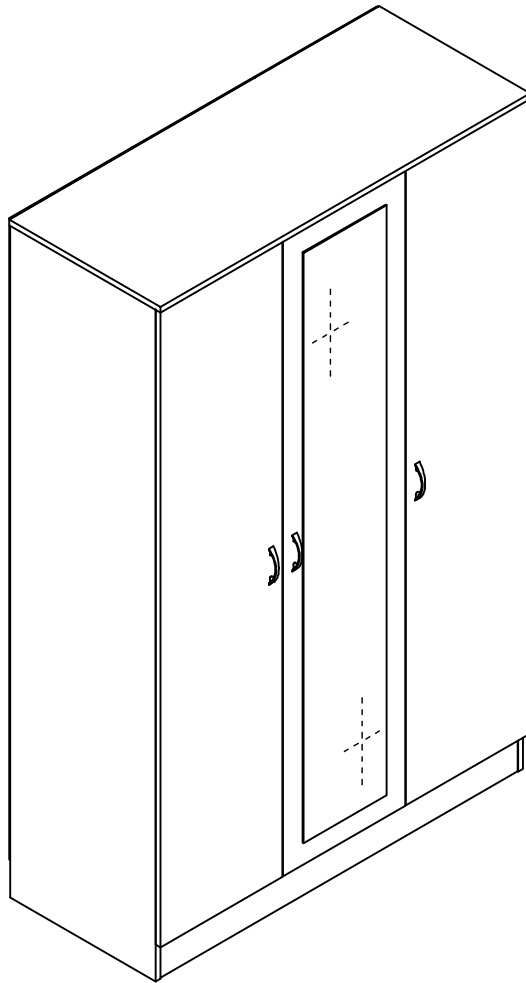


# High Gloss Bedroom Furniture 3Pcs Set

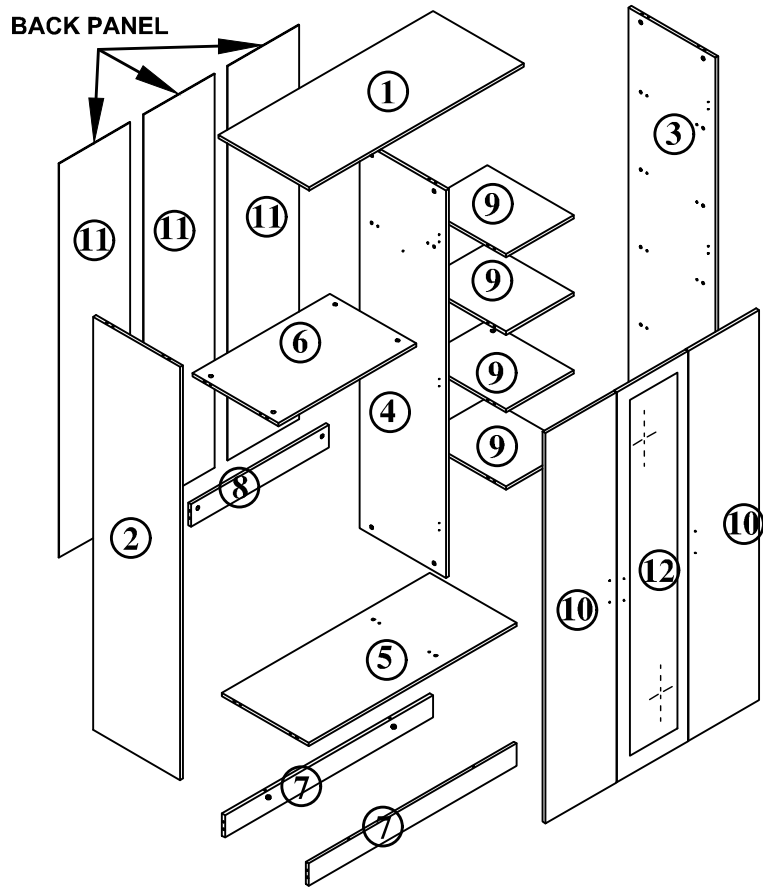
## Wardrobe Door Hinge with Soft Close Function

**ASSEMBLY INSTRUCTION - Please Keep for Future Reference**

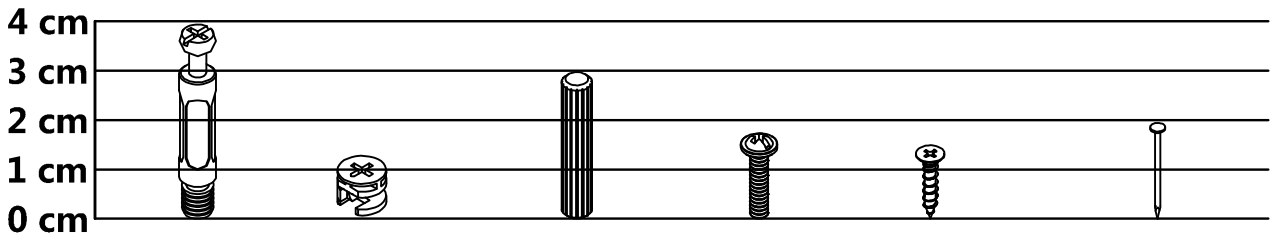


Please check the pack contents before assembling the product .  
 if any components are missing, please contact your retailer.the  
 fittings pack contains small items that should be kept away  
 from small children.

CODE	PART NAME	QTY	CODE	PART NAME	QTY
1	1135X 470 X 15MM TOP PANEL	1PC	7	1101 X 90 X 15MM BOTTOM CROSS BAR	2PCS
2	1780 X 445 X 15MM LEFT HAND SIDE PANEL	1PC	8	728 X 90 X 15MM MIDDLE CROSS BAR	1PC
3	1780 X 445 X 15MM RIGHT HAND SIDE PANEL	1PC	9	374 X 441 X 15MM SHELF PANEL	4PCS
4	1675 X 443 X 15MM MIDDLE SIDE PANEL	1PC	10	1689 X 375 X 15MM DOOR PANEL	2PCS
5	1101 X 443 X 15MM BOTTOM PANEL	1PC	11	1705 X 375 X 3MM BACK PANEL	3PCS
6	728 X 441 X 15MM SHELF PANEL	1PC	12	1689 X 375 X 15MM DOOR PANEL	1PC




# Fixings (to scale)



**Bolt**  
M6X40mm  
A=42

**Lock**  
D15X12mm  
B=42

**Dowel**  
D6X30mm  
C=42

**Screw**  
M4X18mm  
E=6





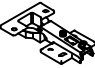
**Screw**  
M3.5X14mm  
F=58

**Nail pin**  
19mm  
G=30

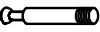





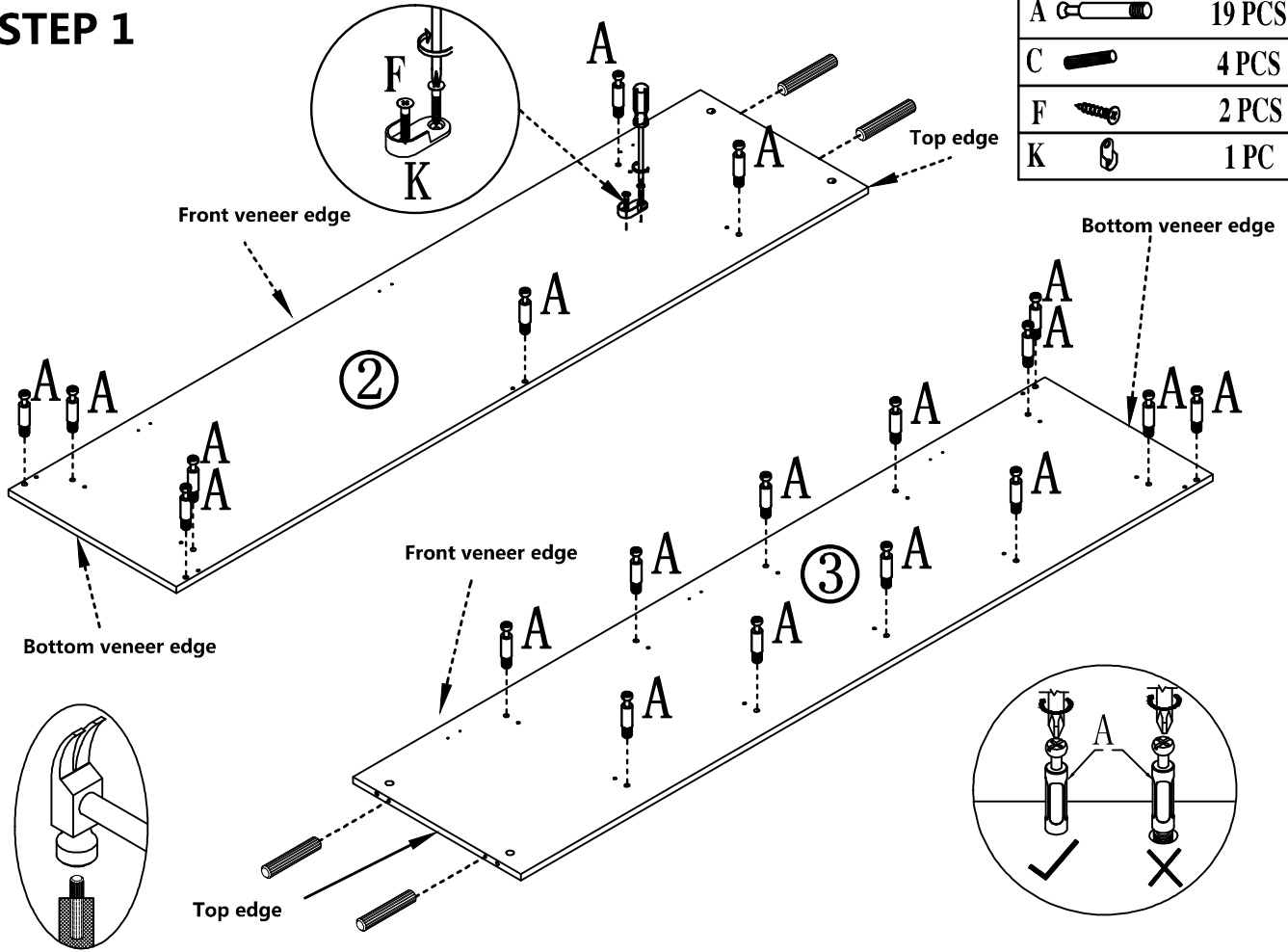
**Nail Leg**  
D15X15mm  
H=4

# Fixings (not to scale)

<b>Handle</b>  L128mm <b>D=3</b>	<b>Hanging Rail Support</b>  <b>K=2</b>	<b>Hanging Rail</b>  L722mm <b>L=1</b>	<b>Hinge</b>  <b>I=3</b>	<b>Hinge</b>  <b>J=6</b>	

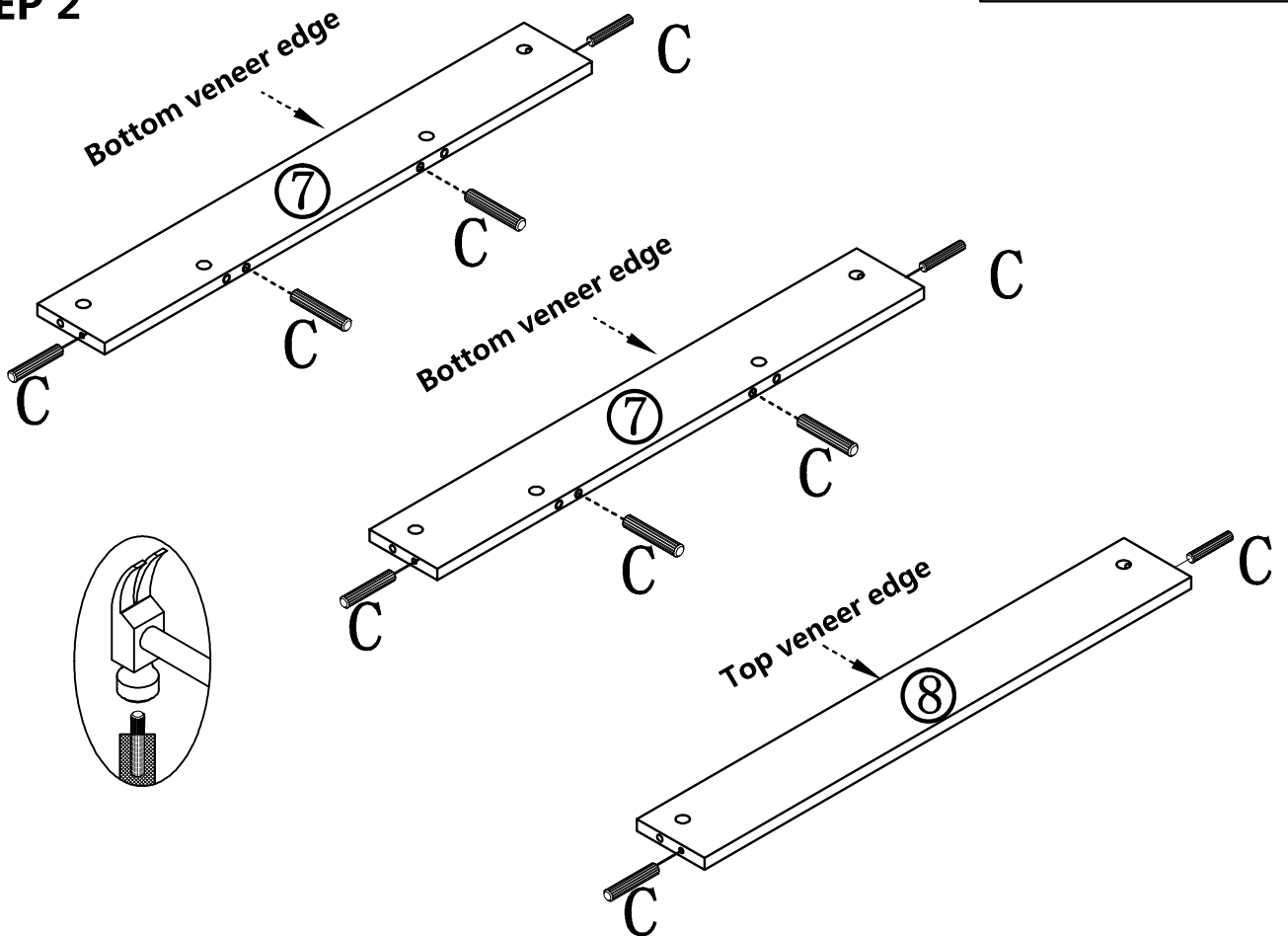
# STEP 1

A		19 PCS
C		4 PCS
F		2 PCS
K		1 PC



# STEP 2

C		6 PCS
---	---------------------------------------------------------------------------------------	-------



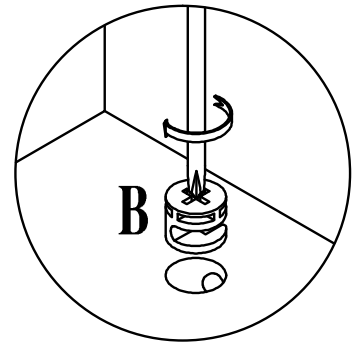
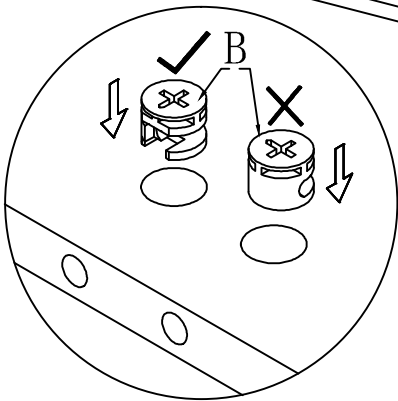
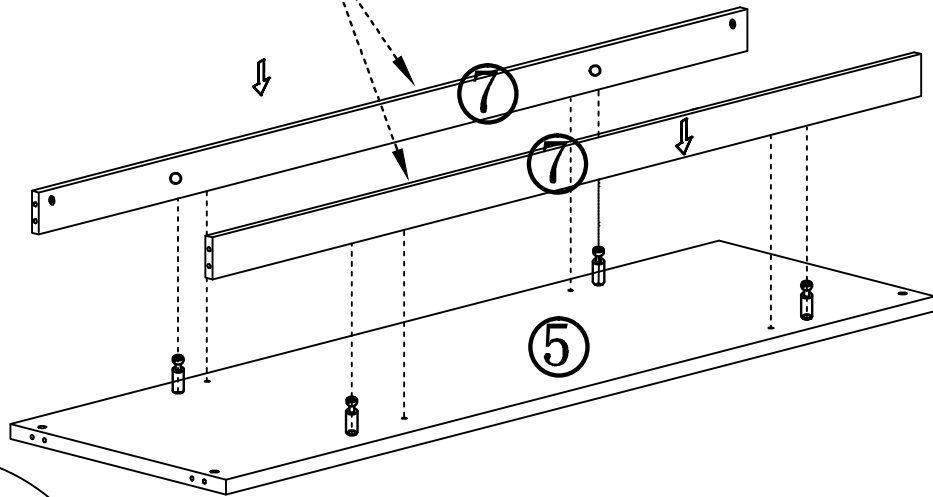


# STEP 5

B 

4 PCS

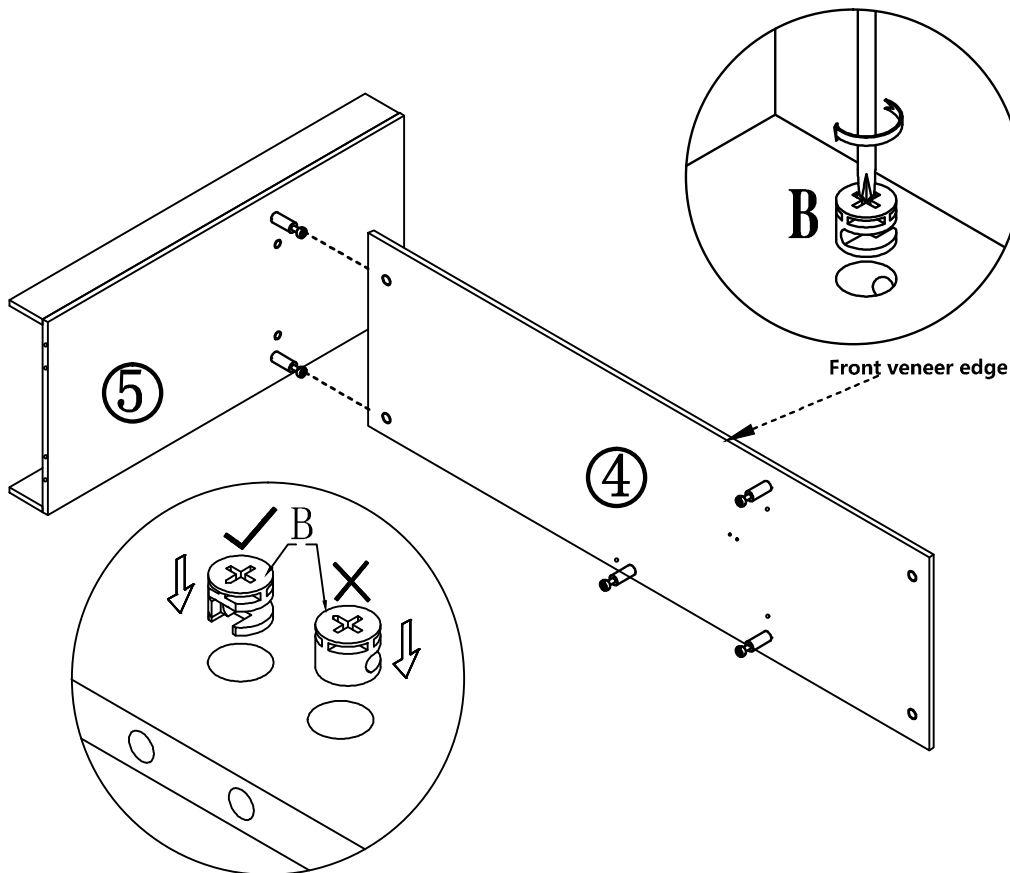
Bottom veneer edge



# STEP 6

B 

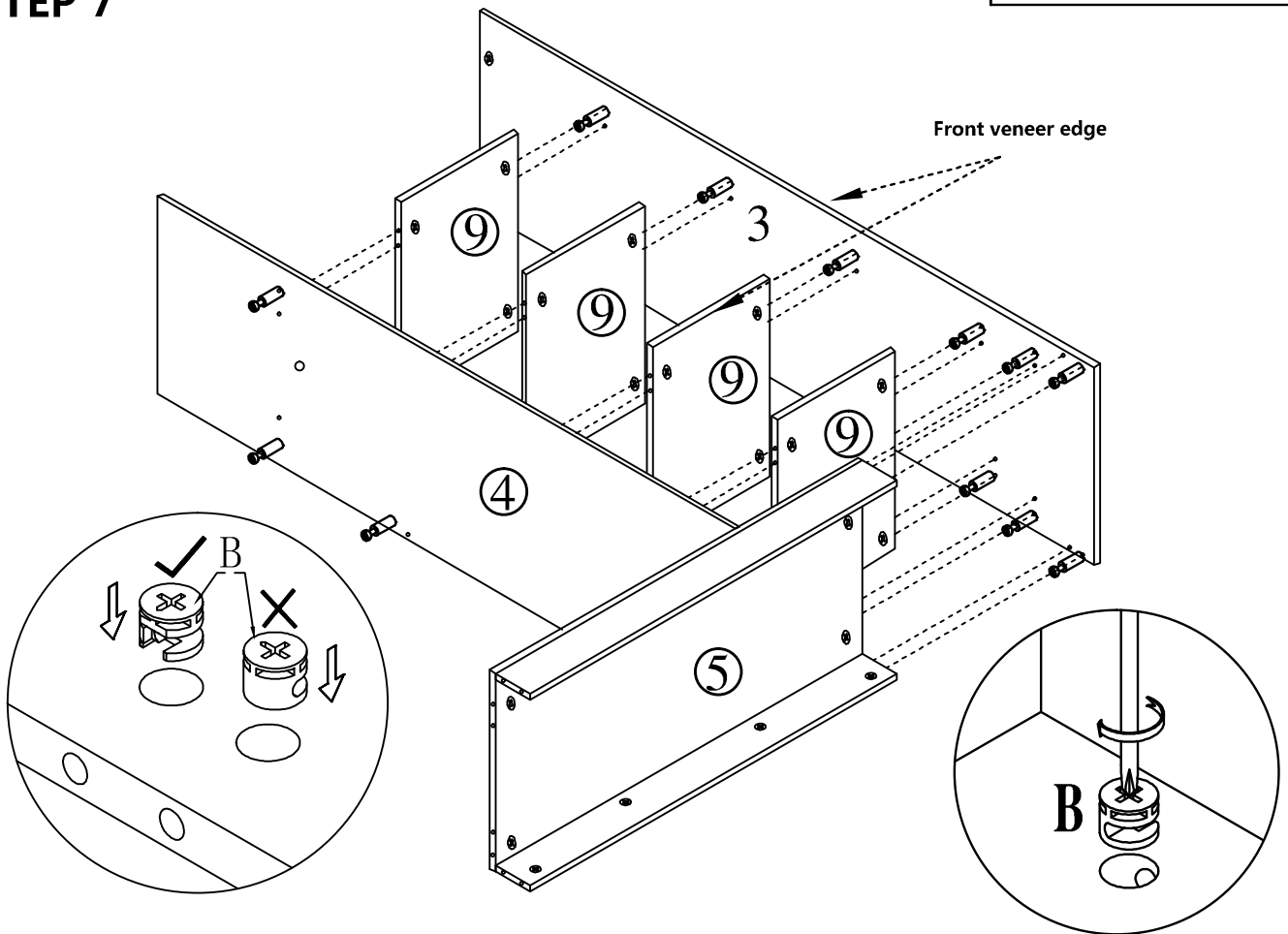
2 PCS



# STEP 7

B 

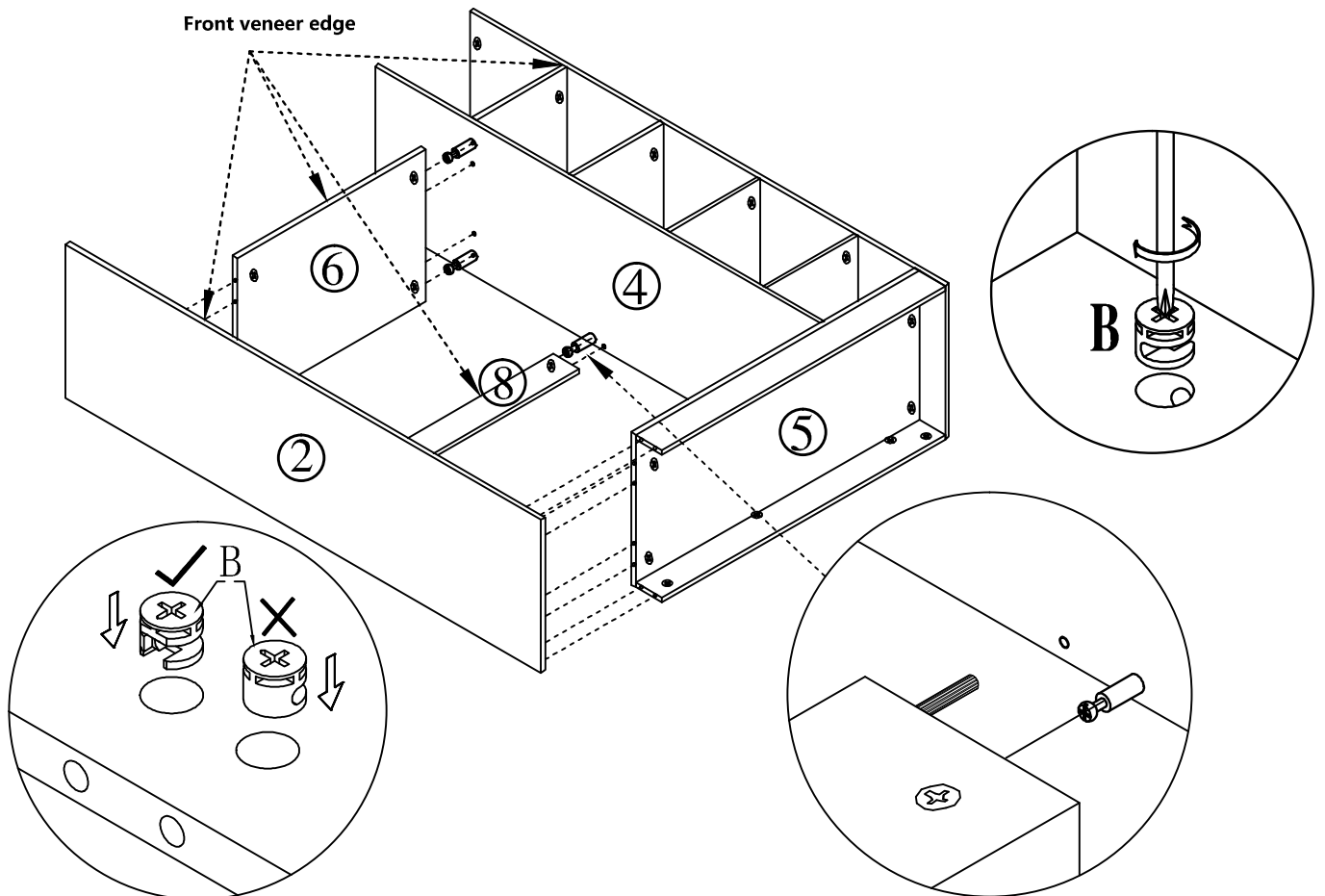
20 PCS





# STEP 8

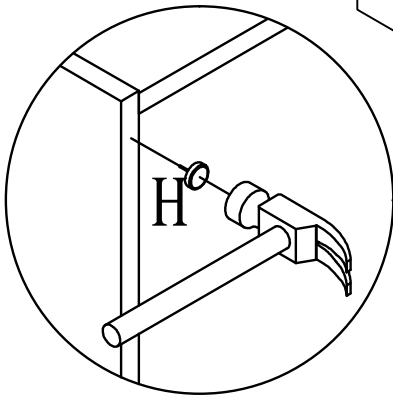
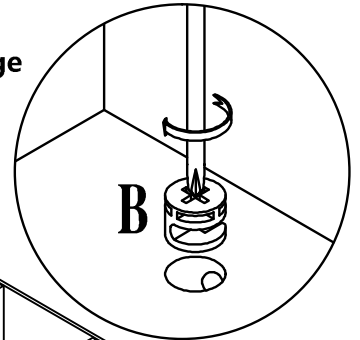
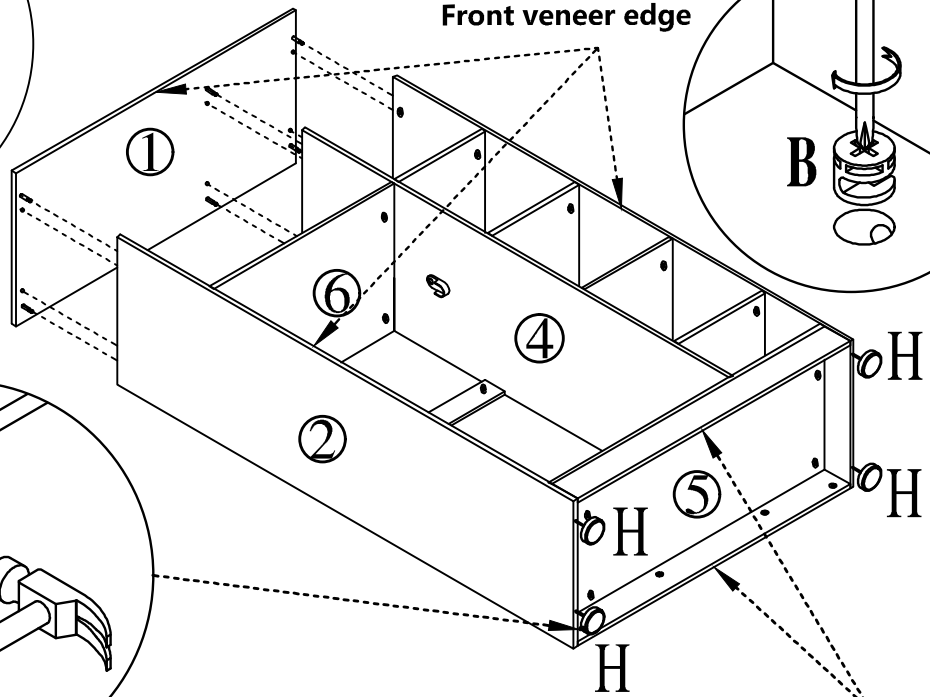
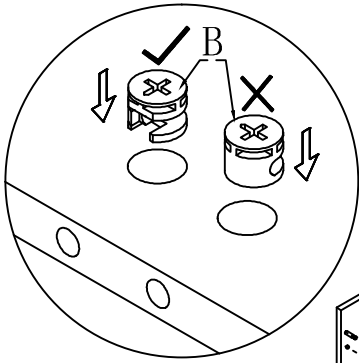
B 

10 PCS



# STEP 9

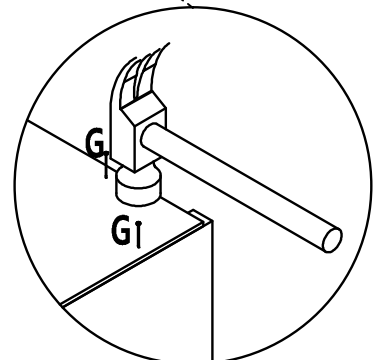
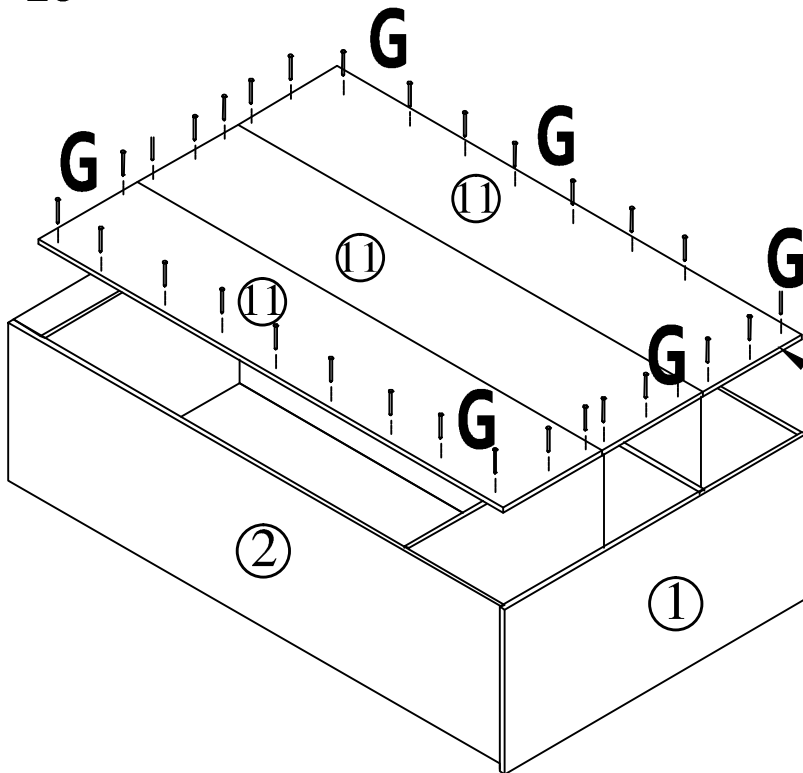
B		6 PCS
H		4 PCS





Bottom veneer edge

# STEP 10

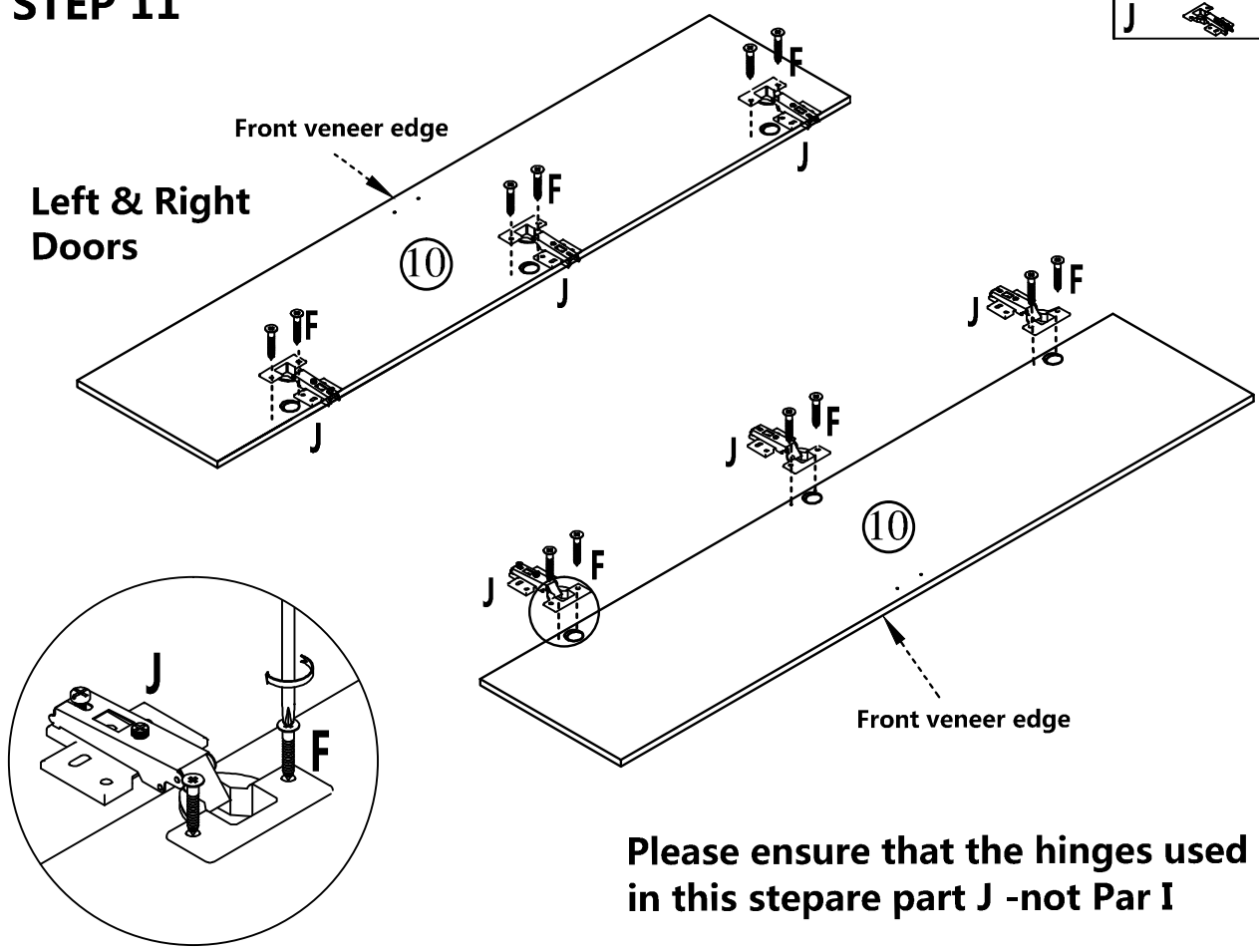
G		30 PCS
---	---------------------------------------------------------------------------------------	--------



# STEP 11

F		12 PCS
J		6 PCS

Left & Right Doors

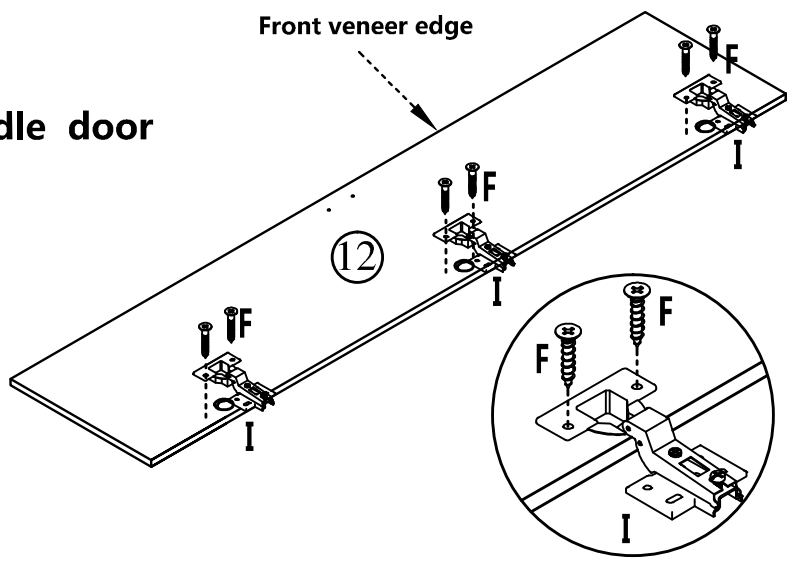


Please ensure that the hinges used in this step are part J -not Par I

# STEP 12




F		6PCS
I		3 PCS

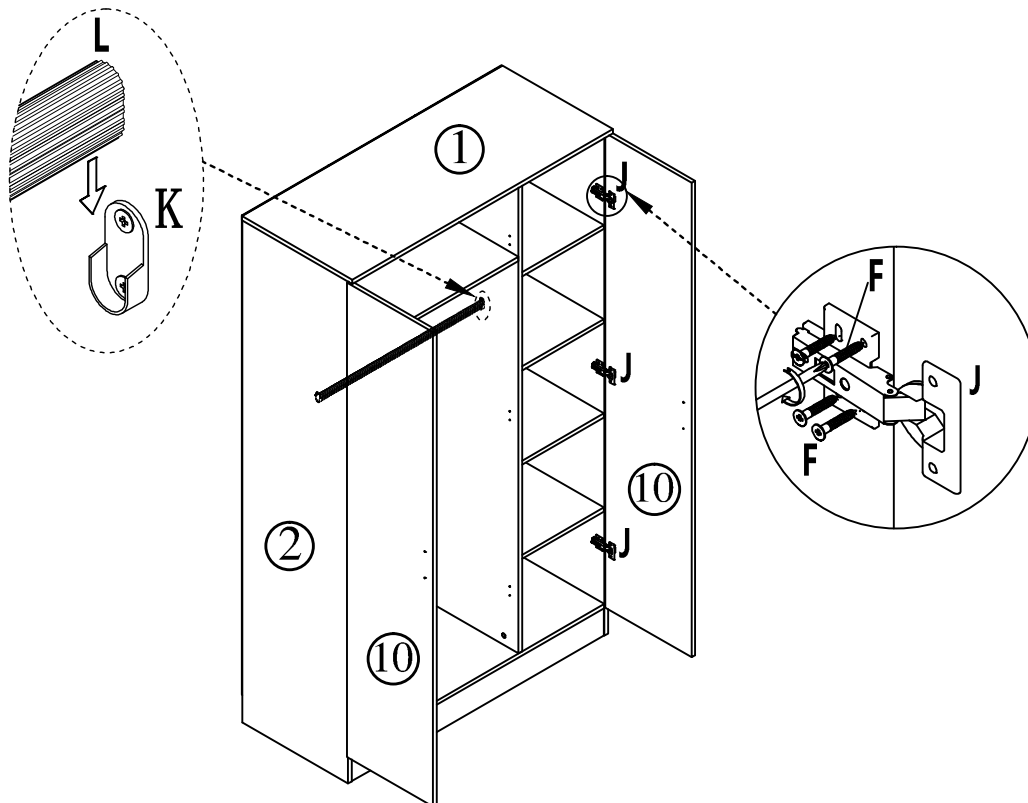
Middle door







Please ensure that the hinges used in this step are part I -not Par J

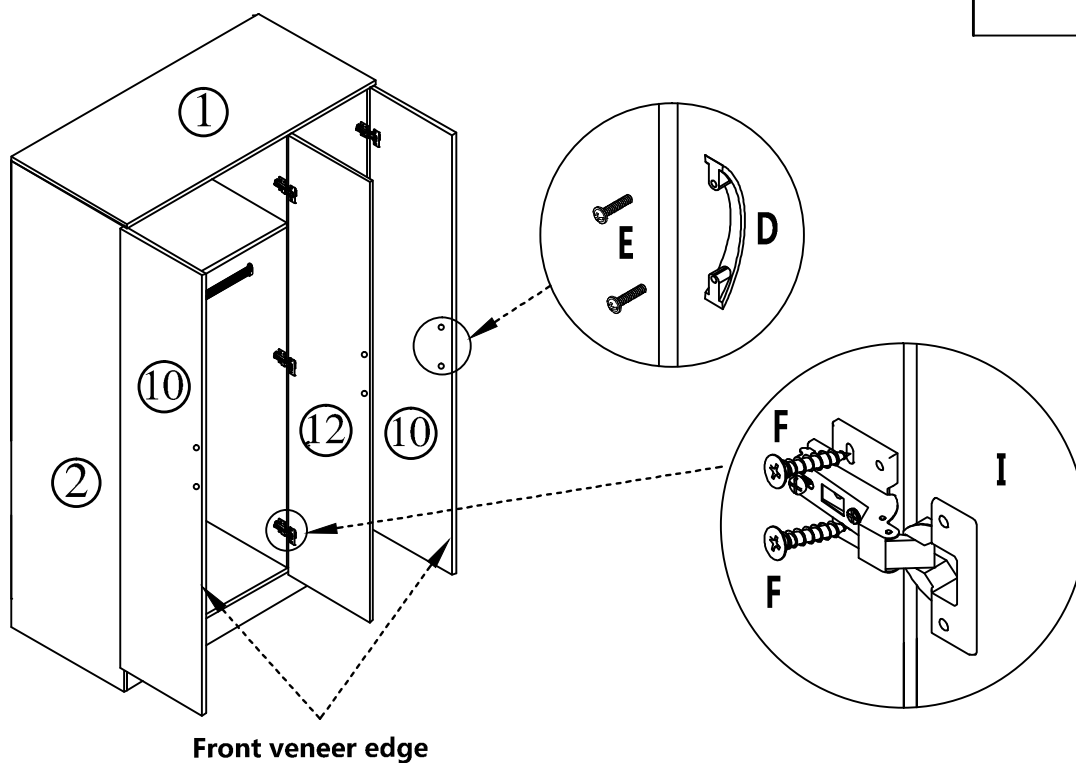
# STEP 13

F		24 PCS
J		6 PCS
L		1 PC



# STEP 14

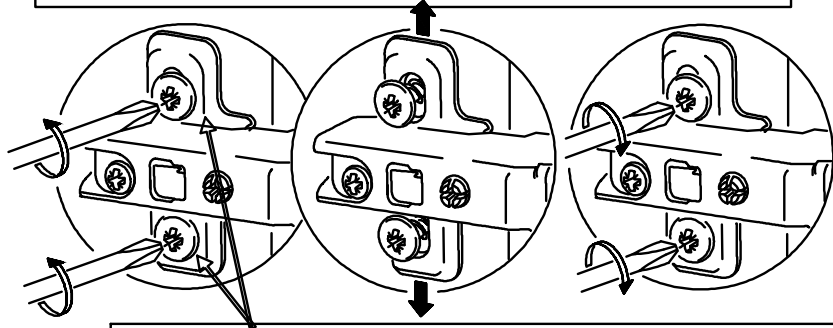
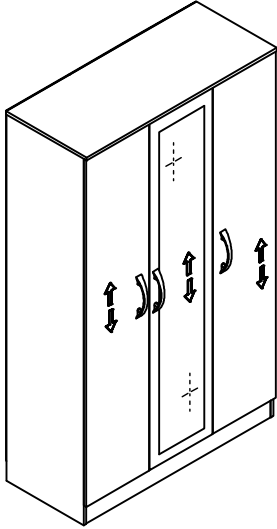
F		12 PCS
E		6 PCS
D		3 PCS
I		3 PCS





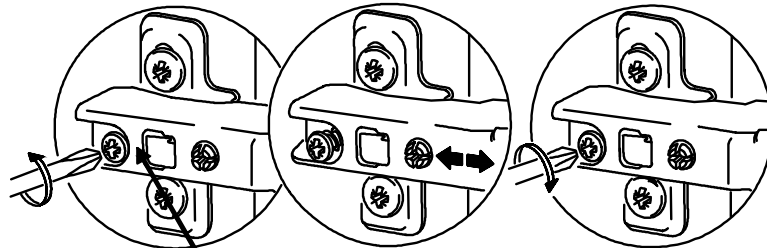
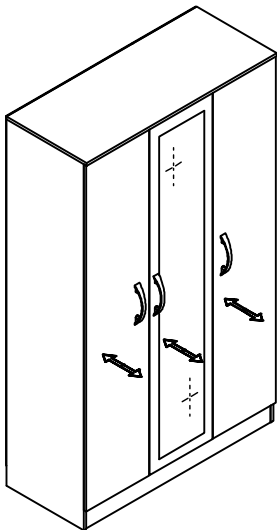
**Customer Attention:**

To Align Doors & Control Gap In Between Doors. Product doors may need adjusting during & after assembly or once wardrobe contains clothing. This can be done by adjusting appropriate screws. See below illustration.



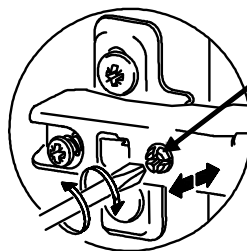
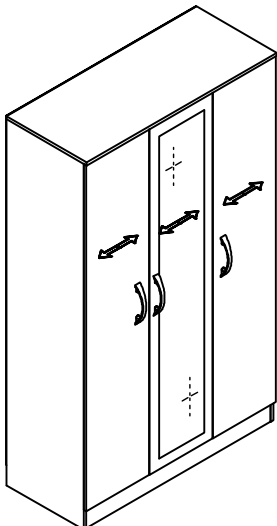
**Vertical Door Adjustment:**

Loosening both screws on all hinges and lift the door to desired height. This allows an even space at the top and bottom between door and wardrobe frame.



**Lateral Door Adjustment:**

If door is hinge bound, (rubbing on frame as you close or open door) loosening screw shown and move the door in appropriate direction. (In or out)



**Horizontal Door Adjustment:**

Rotate Screw clock wise or anti clockwise. This will produce an even gap between doors and frame.