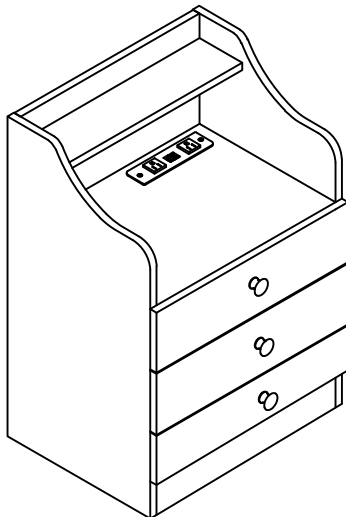




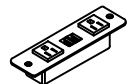
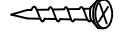
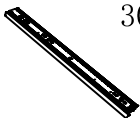

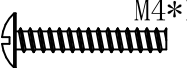
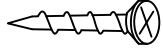

ASSEMBLY INSTRUCTION

- It would be best if you set aside and organize all pieces & corresponding "nuts/bolts" first.
- Please follow the instructions to assemble the items correctly.
- Could be assembled by one person ,but would recommend two.
- Please ensure the safety of the glass when assembling.
- Do not make the screws too loose or too tight.
- As shown in the figure, Insert the screw into the hole.
The arrow in the picture, Then rotate 90° or 180° clockwise.
- The remaining parts are spare parts.
- Check out our Youtube channel (YILQQPER LIFE) for step-by-step installation instruction videos.

SAFETY INFORMATION

- The accessory bag contains some small accessories , which should be kept away from children.
- Kids are not allowed to climb or play with the product for safety reasons

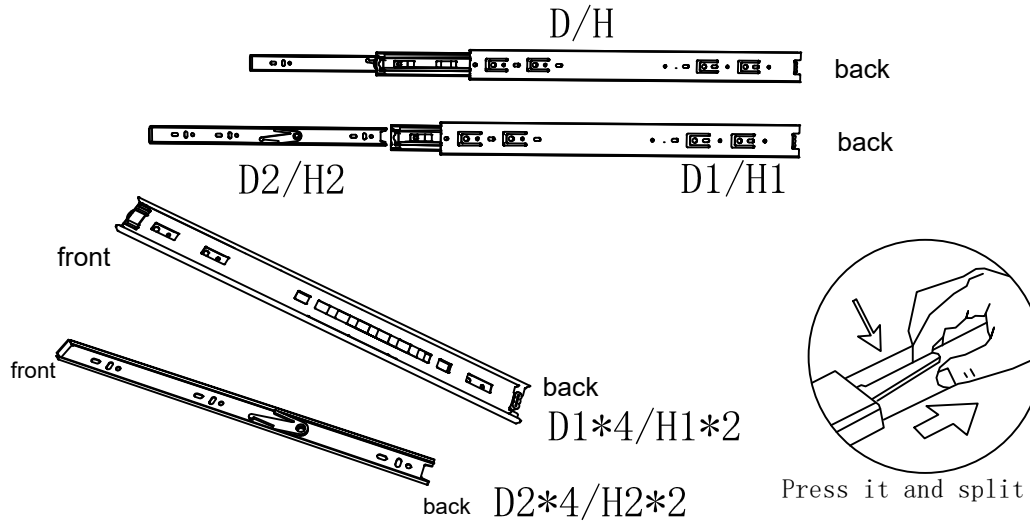


 A1*37	 A2*37	 B*1	 C*26	 D*4
 E*3	 F*3	 G*12	 H*2	

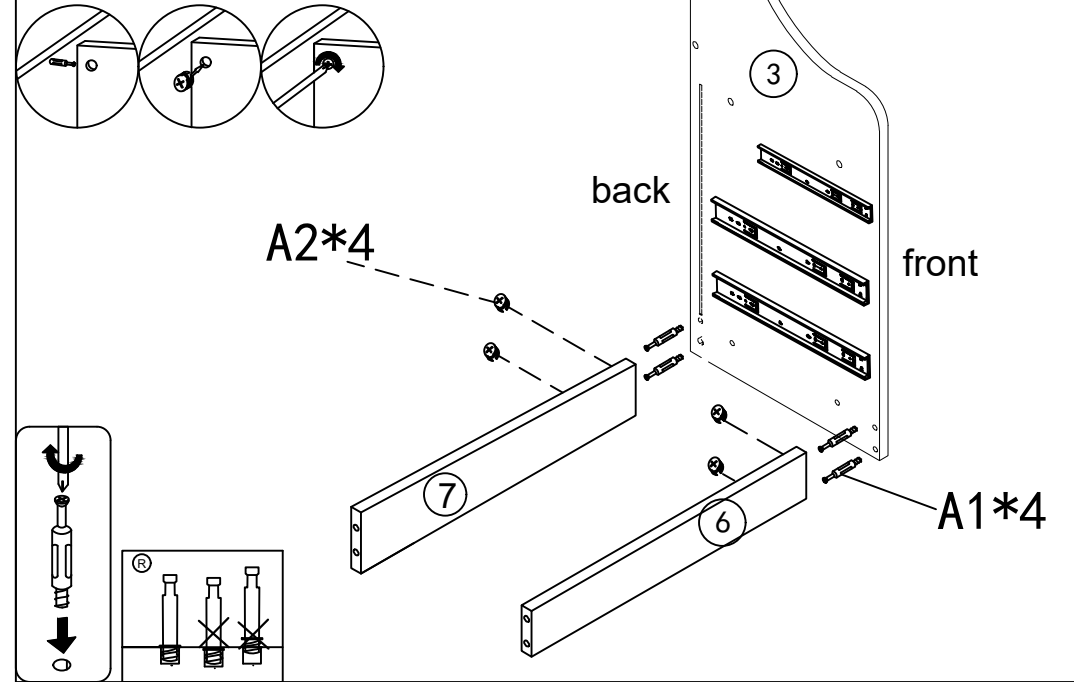
STEP 1

Warm Reminder:

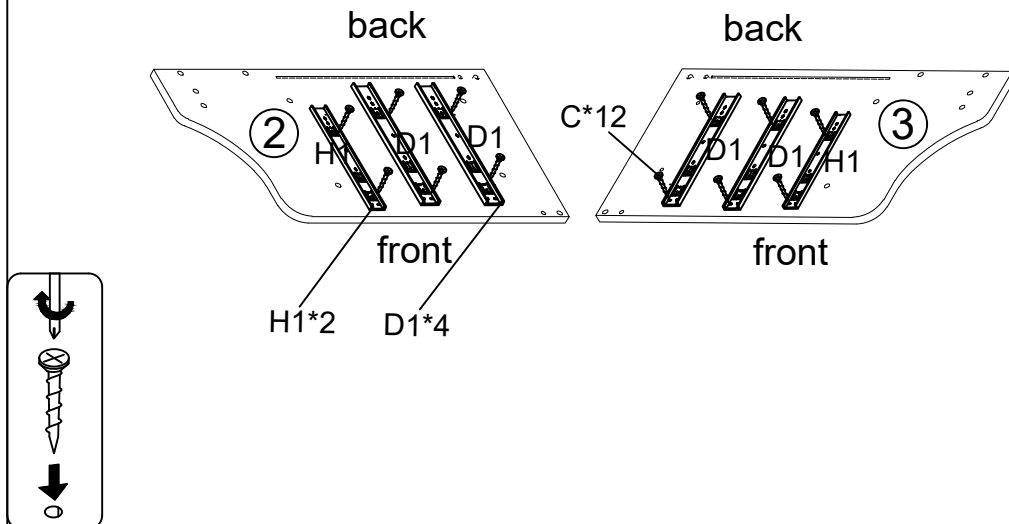
Before installing the drawer rail, you need to separate the D1 and D2 fist.



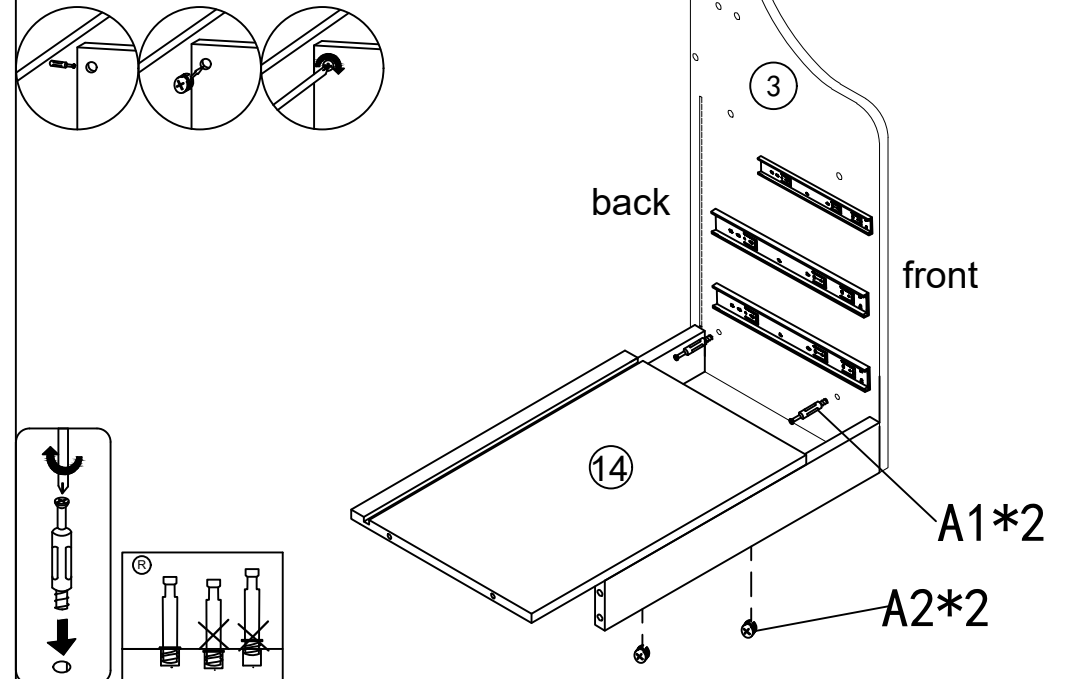
STEP 3



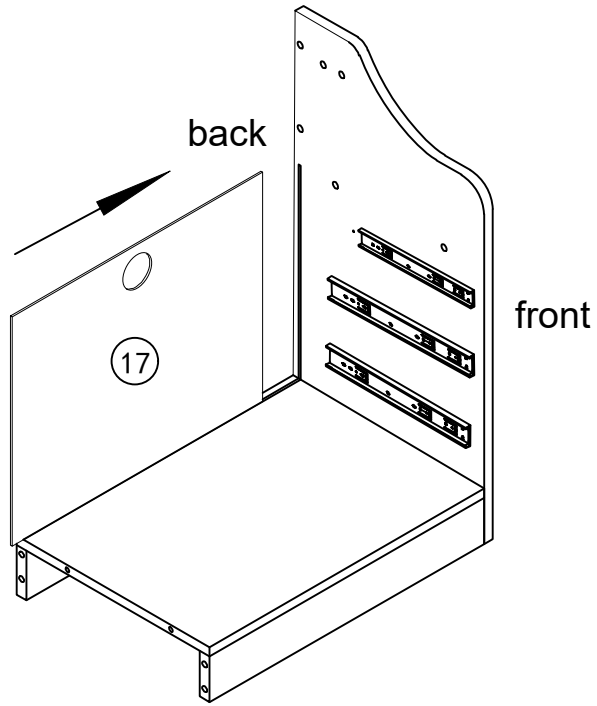
STEP 2



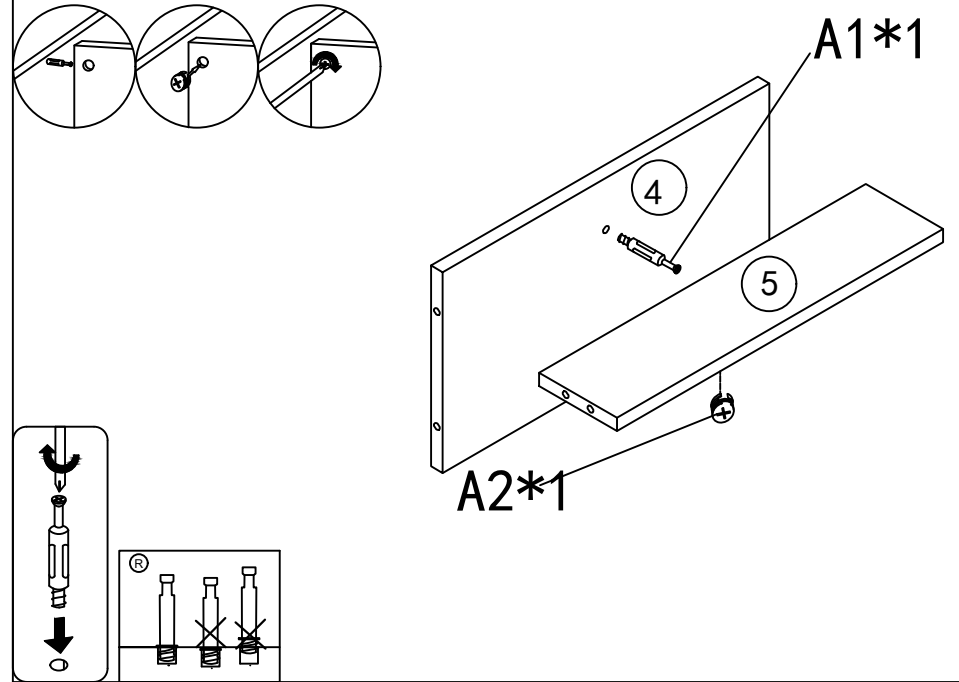
STEP 4



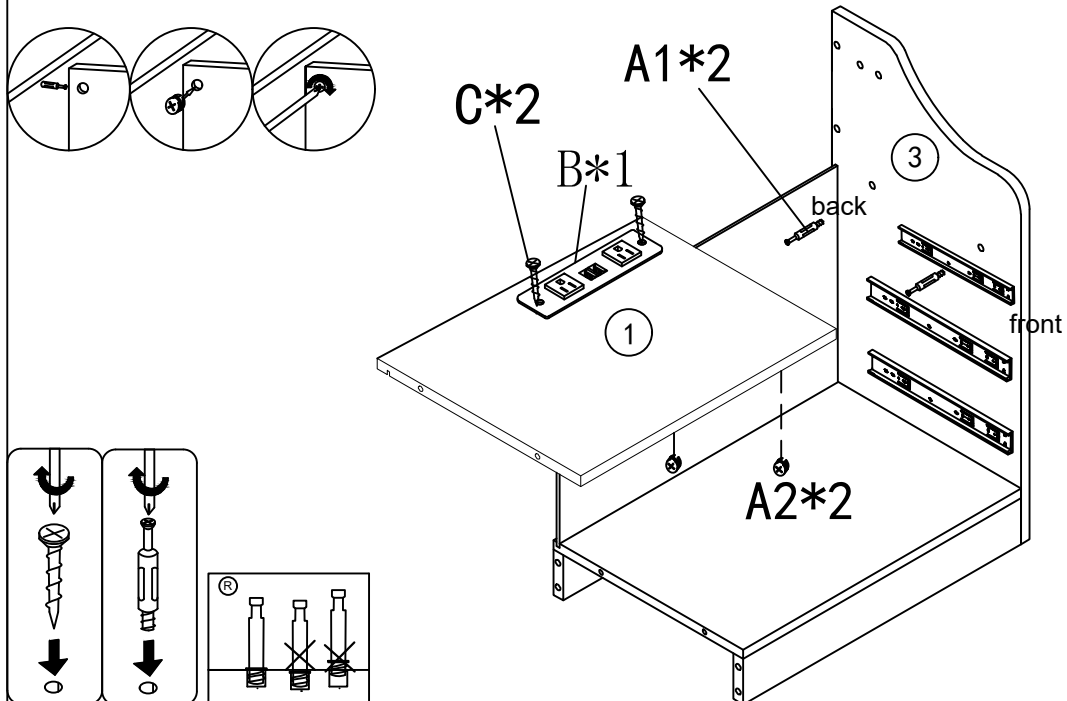
STEP 5



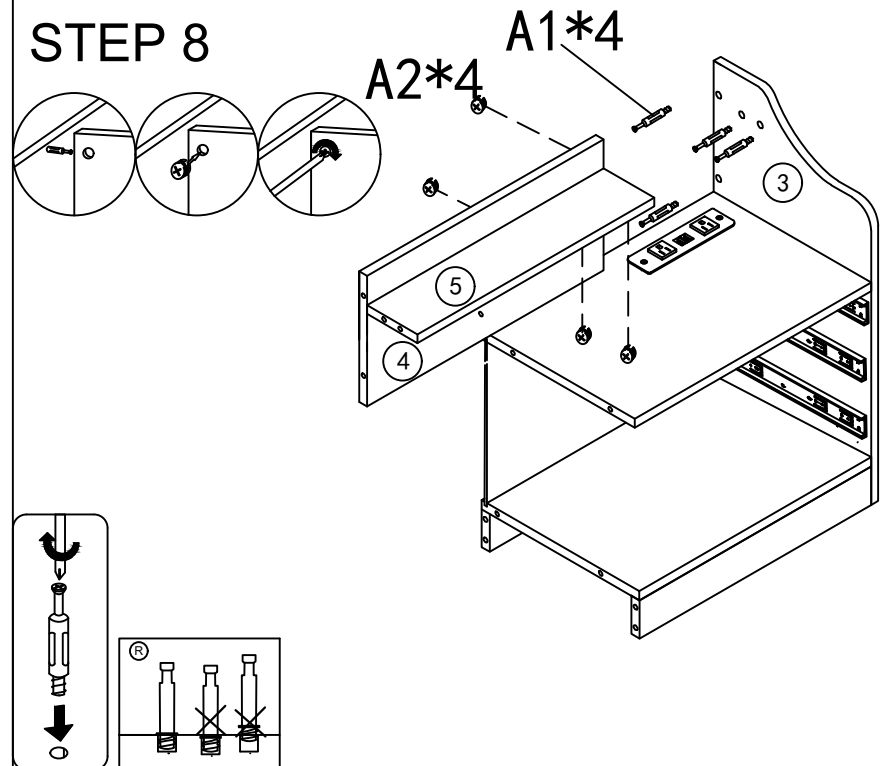
STEP 7



STEP 6

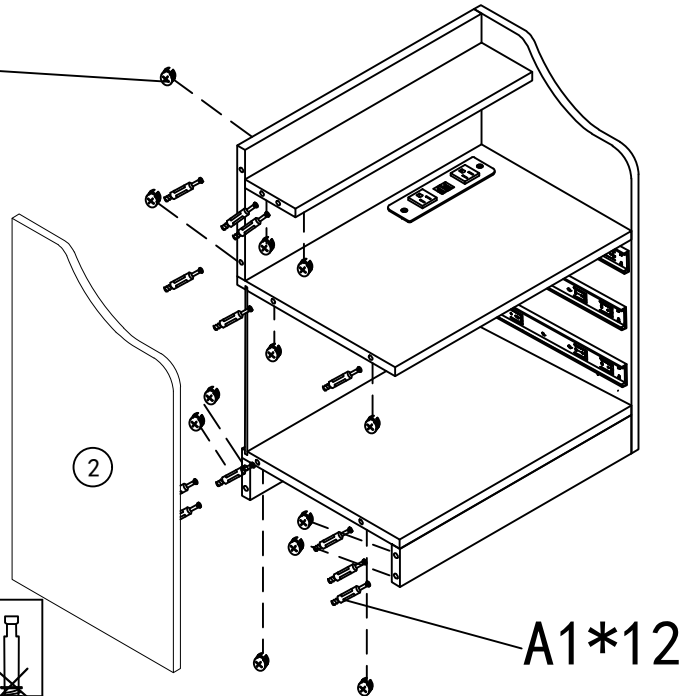


STEP 8



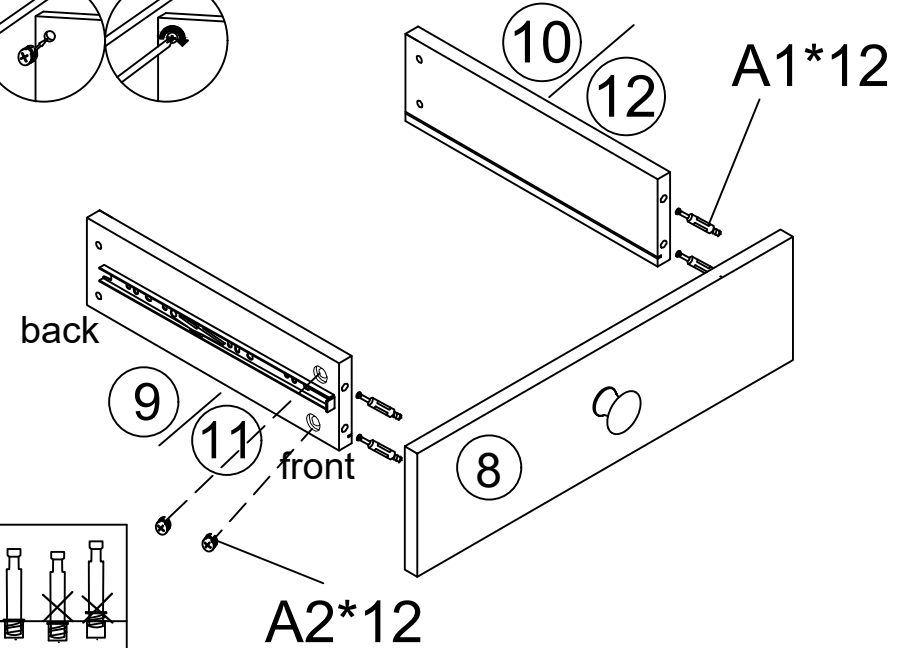
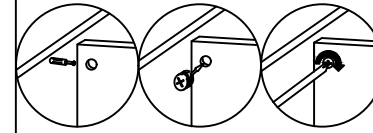
STEP 9

A2*12



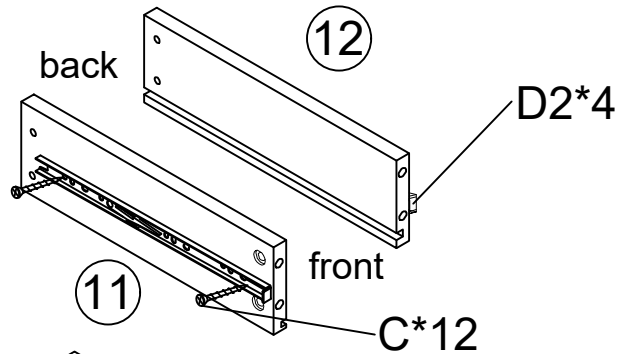
A1*12

STEP 11



A2*12

STEP 10

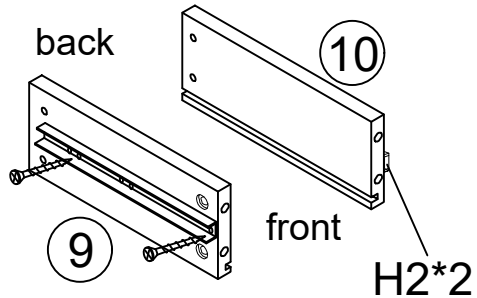


D2*4

C*12

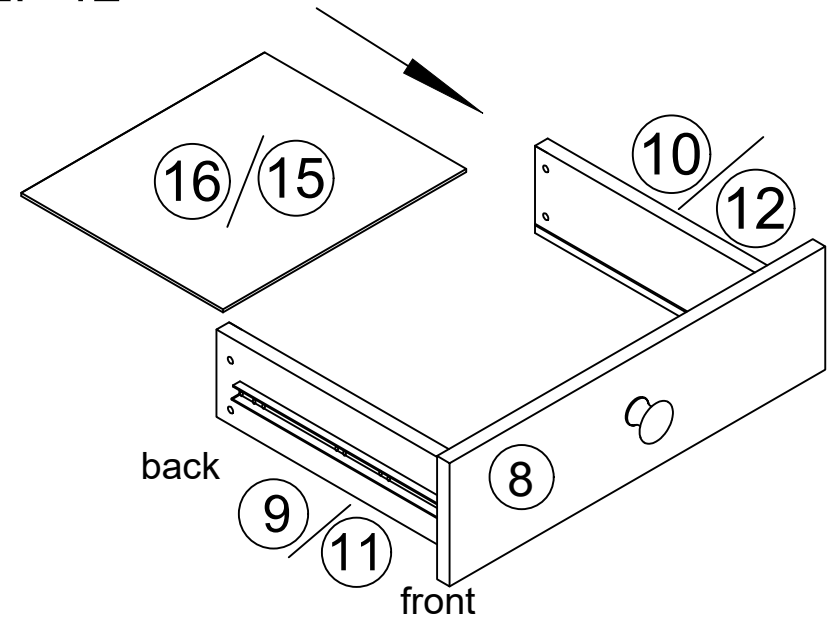
F*3

E*3



H2*2

STEP 12



16/15

10/12

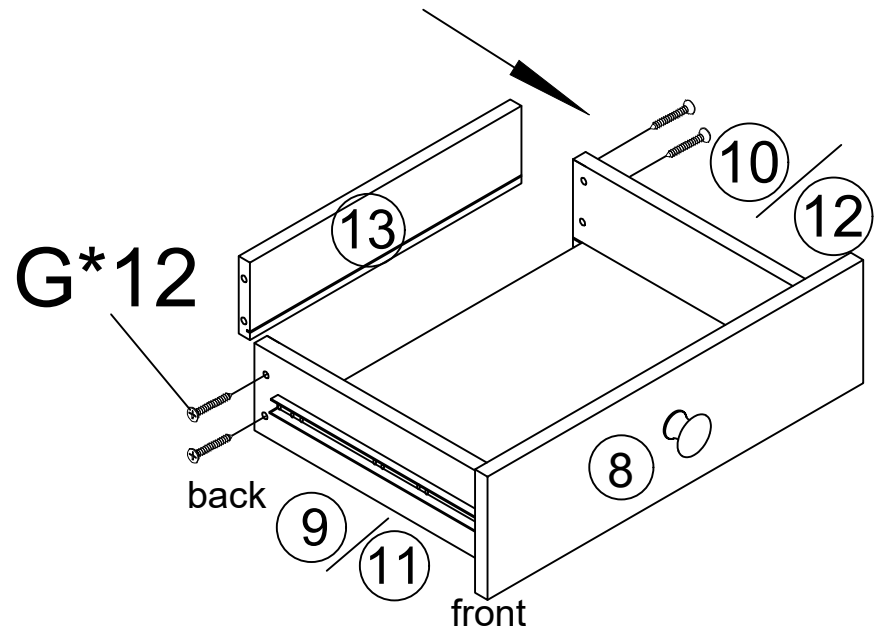
back

9/11

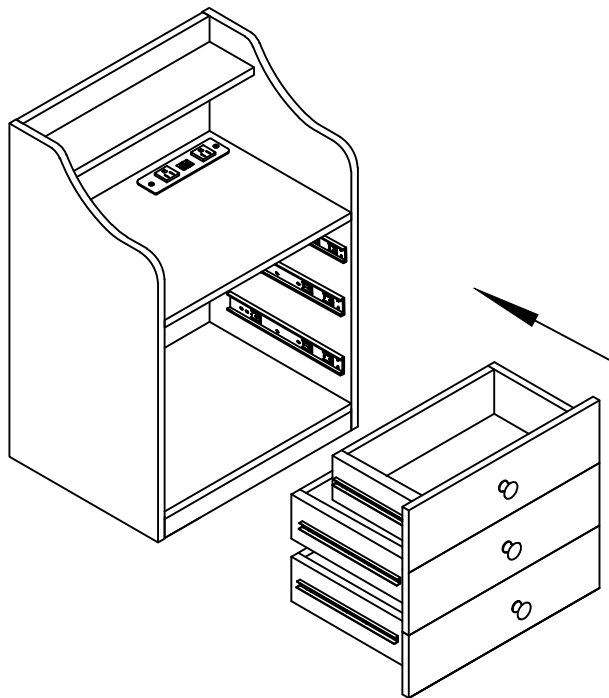
front

8

STEP 13



STEP 14



STEP 15

For the high gloss panel, please peel off the plasticfilm after assembling

