

► **Thank you for purchasing our picnic table!**

We are dedicated to crafting high-quality products that create more comfortable and inviting outdoor spaces.

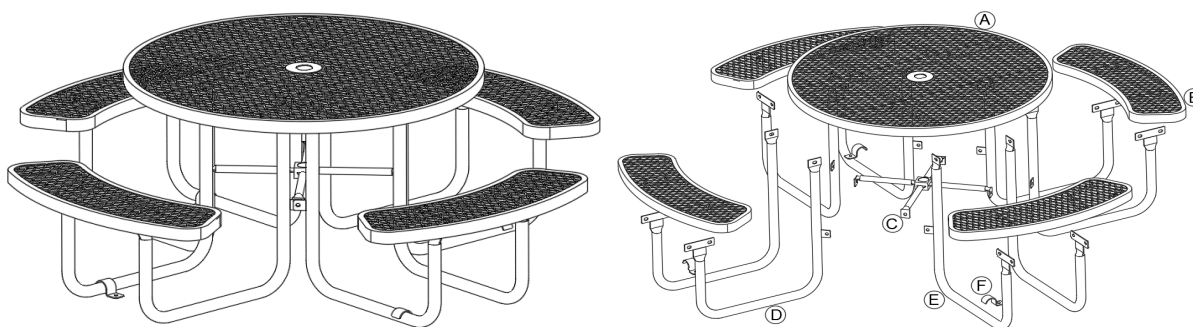
► **Important Delivery Note:**

Your order will ship in two separate packages per each table set arriving at different times.

► **Please wait to begin assembly until all packages have been received.**

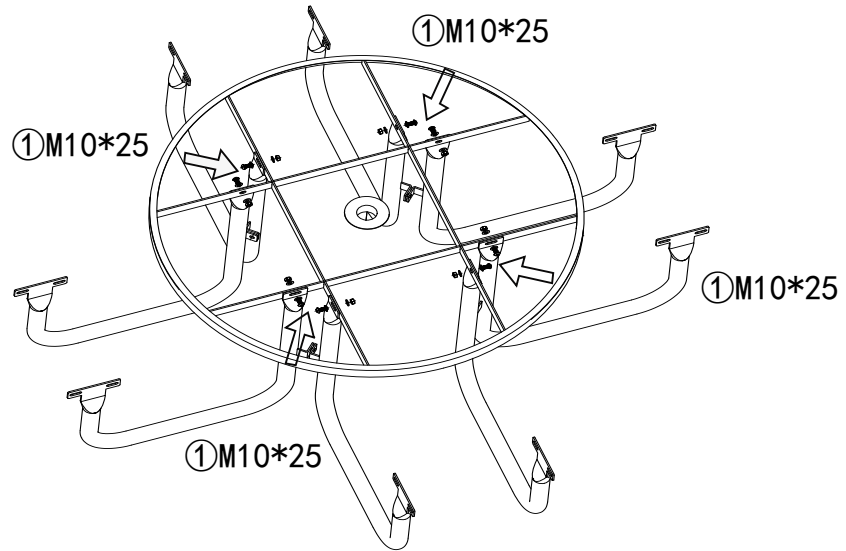
We appreciate your understanding regarding this process.

ASSEMBLY GUIDANCE



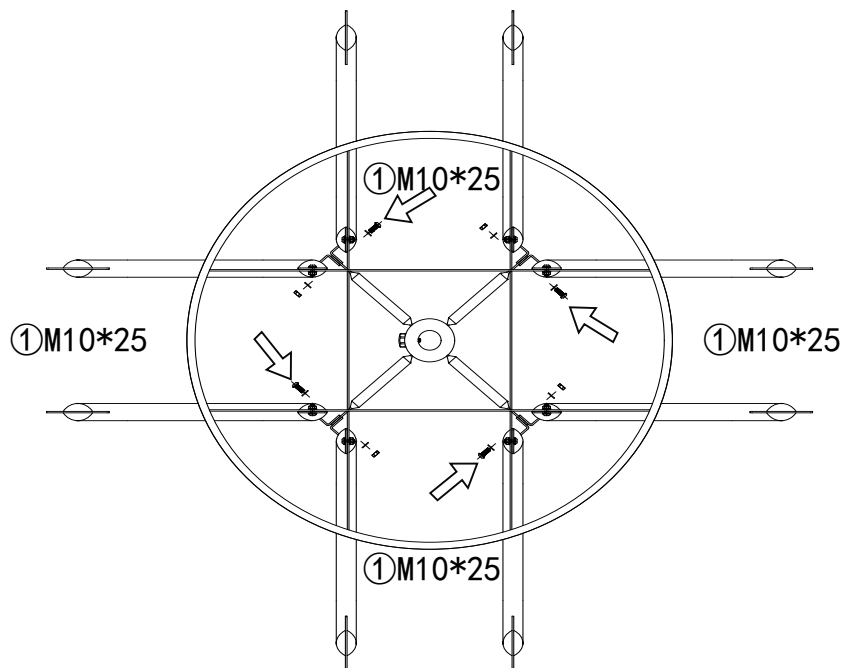
Part list					
A×1	B×4	C×1	D×4	E×4	F×4
① M10*25 ×28	② M8*80 ×4	assembly tools			

STEP 1

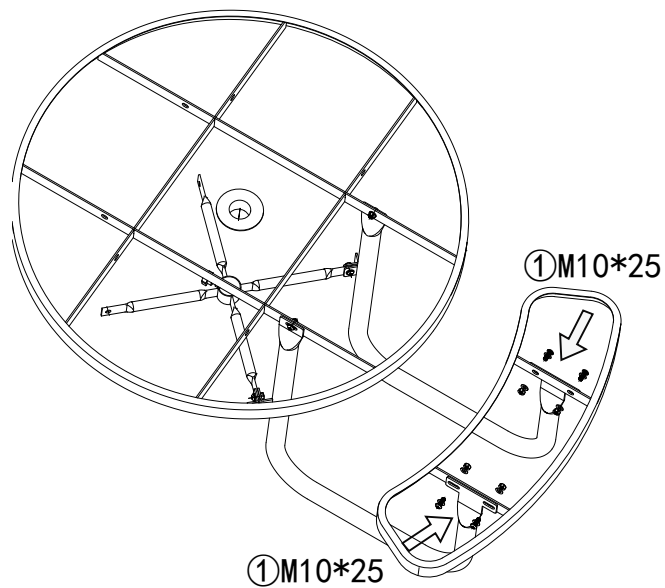


Please install the table legs on the outside of the tabletop.

STEP 2

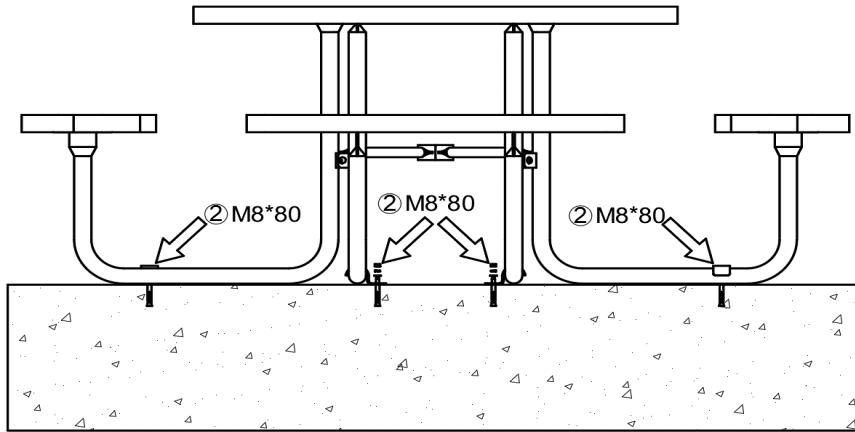


STEP 3



Install the table legs on the outside of the seat panel.

STEP 4



Should you have any questions or concerns, please feel free to contact our customer service team through the platform.

Thank you for your trust in our products !