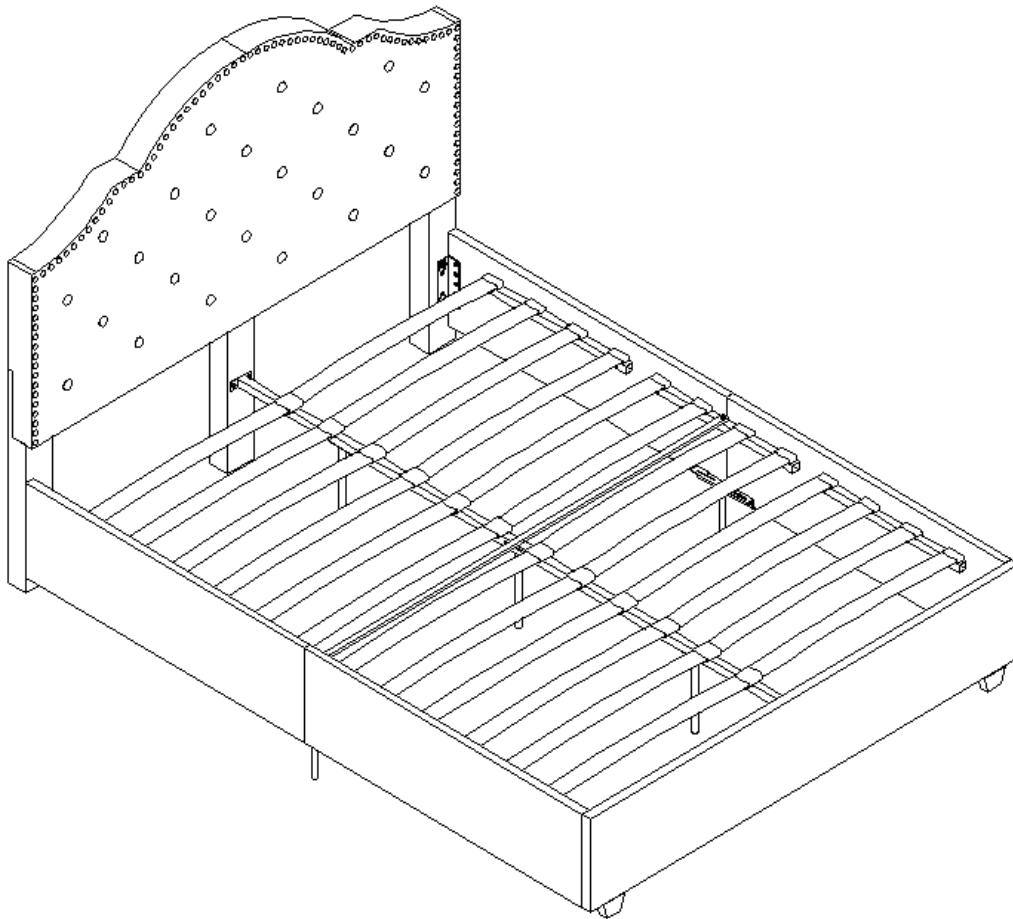


Assembly Instructions

Caution : You must read this before you proceed

BED



NOTE : This Bed is NOT a TOY.

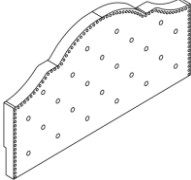


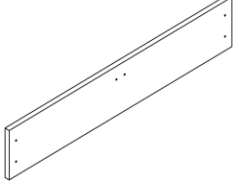
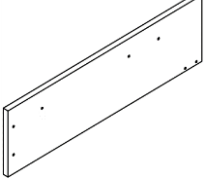
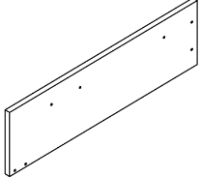
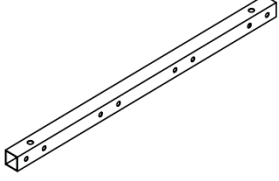
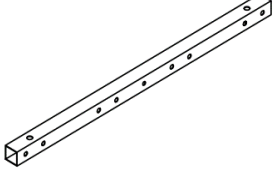
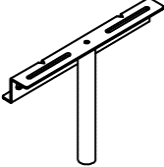
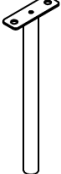
Keep your child / children at bay during the assembly process.

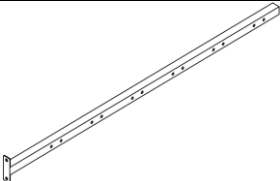
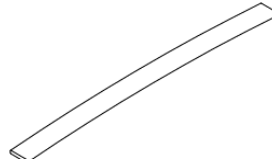

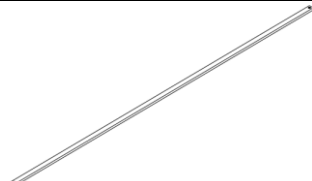
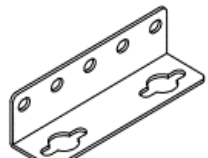
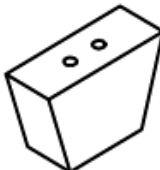
The BED is HEAVY.

To prevent injury to yourself or damage to the product a minimum of two adults are required whenever moving or lifting the product.

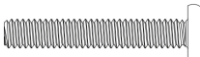

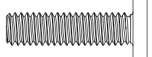
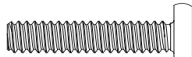



Part List

Label	Picture	Description	QTY
-------	---------	-------------	-----

A		Headboard	1
B		Headboard Side Leg	2
C		Headboard Center Leg	1
D		Footboard	1
E		Side Rail(Labelled 'E')	2
F		Side Rail(Labelled 'F')	2
G		Side Cleat	4
H		Center Side Cleat	2
I		Support Leg For Side Rail	2
J		Support Leg	2

K		Center Support Rail	2
L		Slat	24
M		U-shaped Support Leg	1
N		Cross Center Support Rail	1
O		Straight Connector	4
P		Leg	2

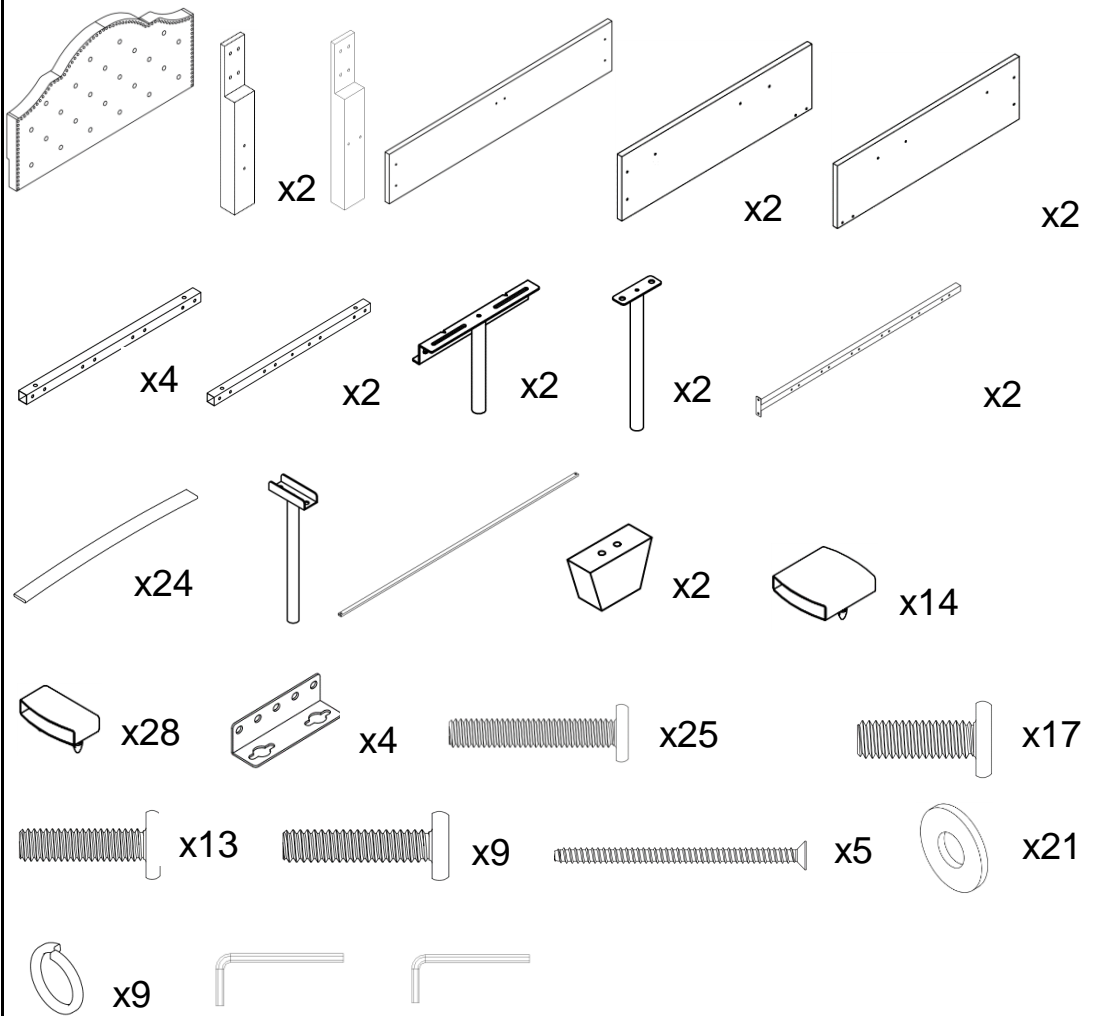
Hardware

Label	Picture	Description	QTY
①		Bolt(M6 x 45mm)	25
②		Blot(M8 x 30mm)	17
③		Bolt(M6 x 25mm)	13
④		Bolt(M6 x 30mm)	9
⑤		Screw(M4 x 60mm)	5
⑥		Spring Washer(φ6.5mm)	9
⑦		Flat Washer(φ6.5mm)	21

⑧		Allen Key(M6)	1
⑨		Allen Key(M8)	1
⑩		Screwdriver(Not Provide)	1
⑪		Center Slat Plug	14
⑫		Side Slat Plug	28

Assembly Preparation

Before Beginning Assembly:



- Read instructions, cover to cover-



- Have 2 adults on hand for assembly-



- Do not assemble on flooring or carpet-

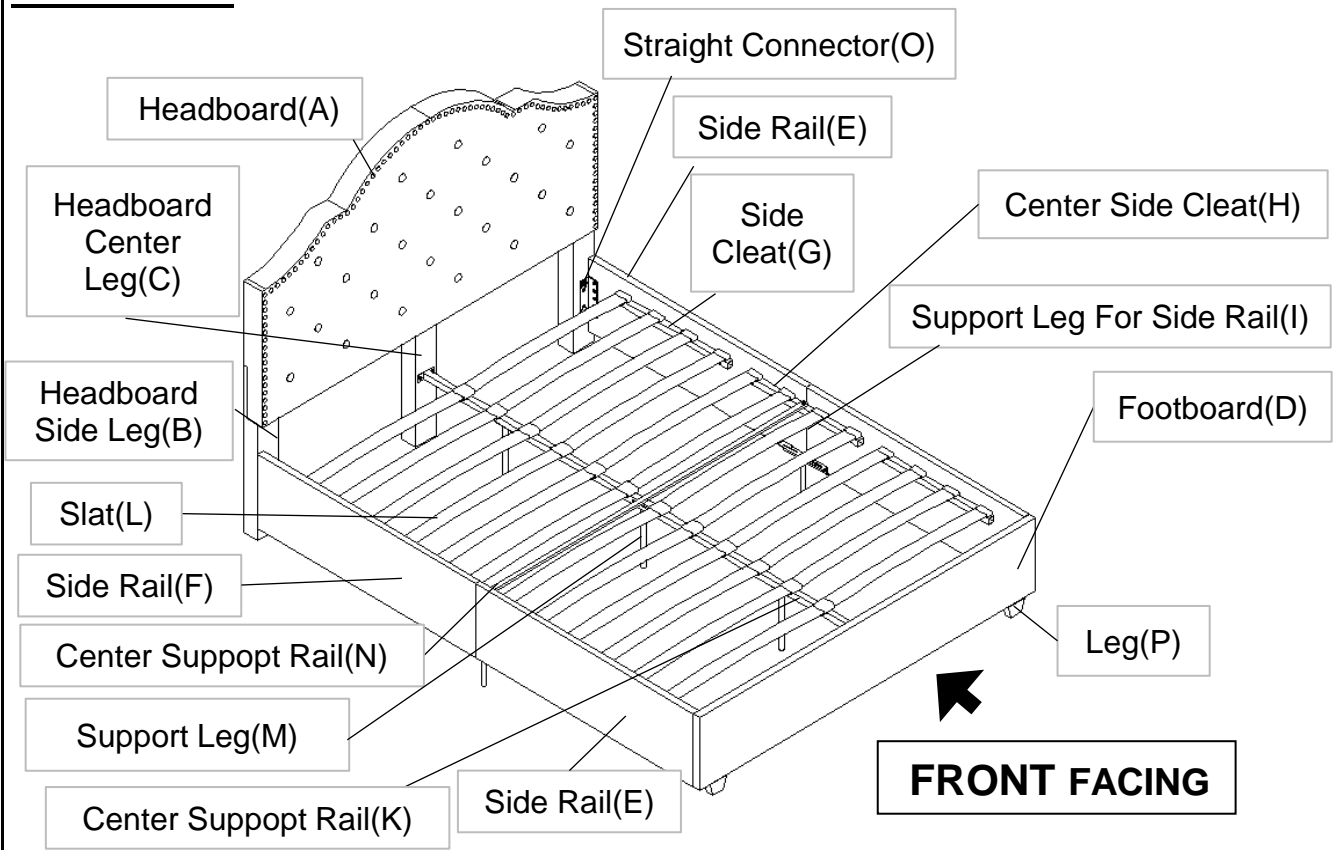


- Assemble on a clean non-marring surface (packing foam)-



- Save all packaging until finished-

Overview

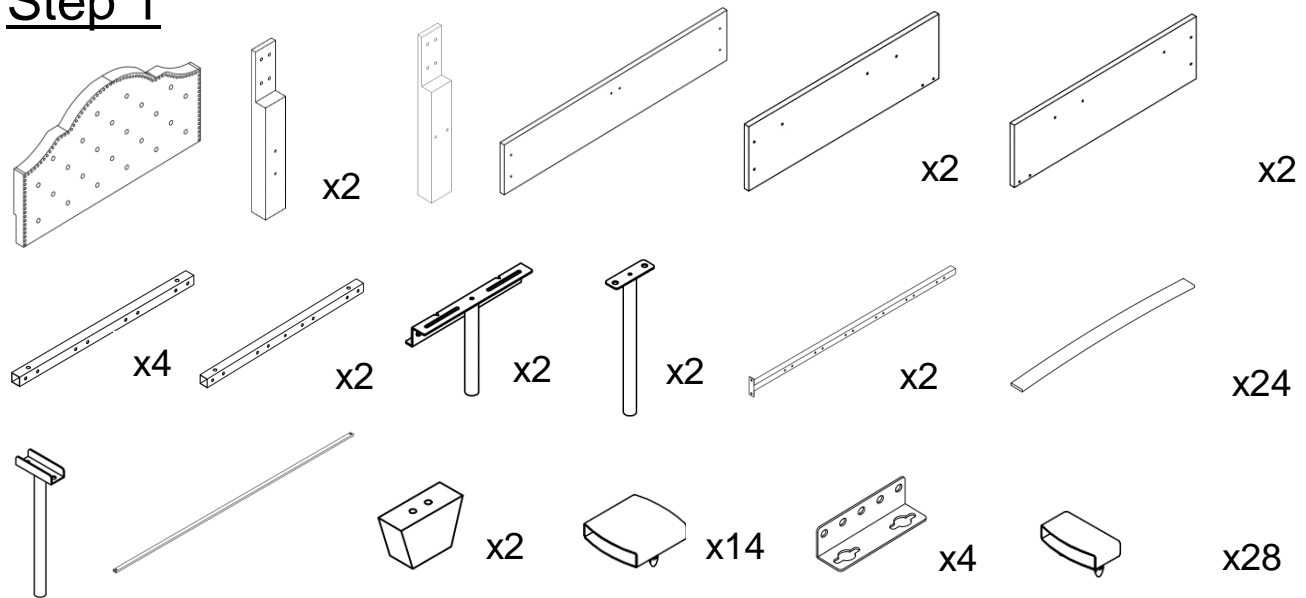


This bed has multiple parts and may require up to 60 minutes to assemble.

To give you an overview of the bed parts, the above picture is to help you put the various parts into perspective.

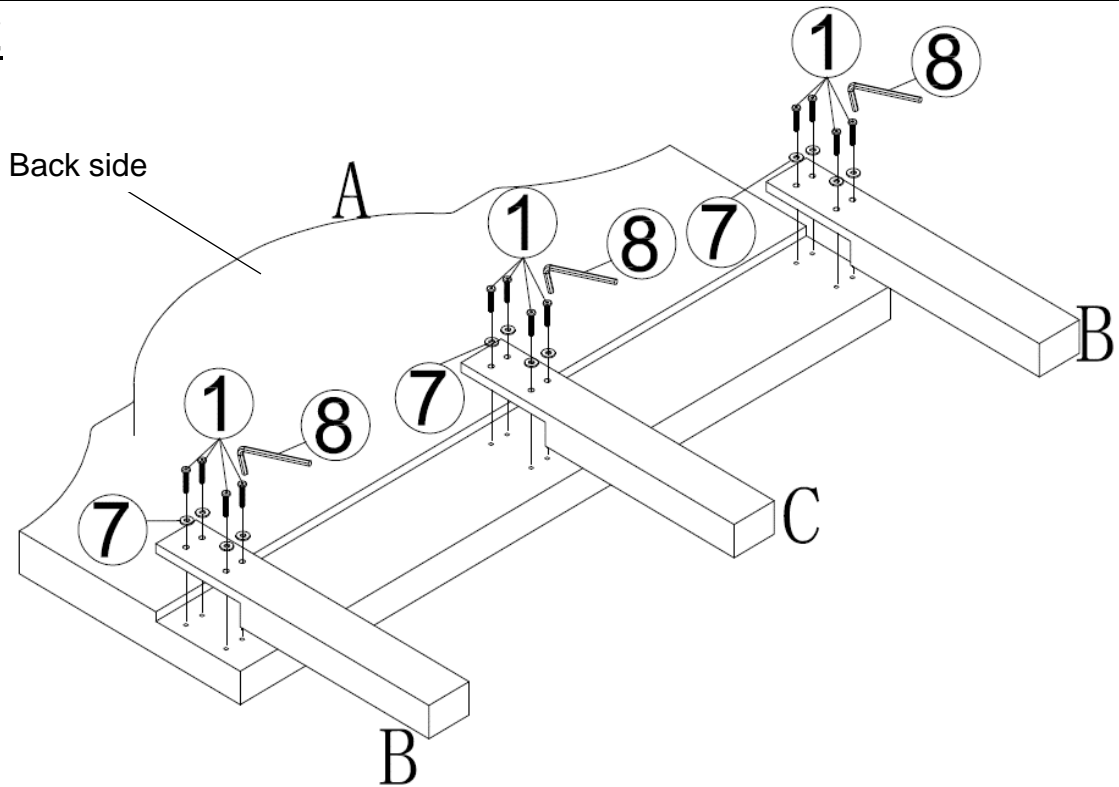
Please read through the instructions below to familiarise yourself with the parts and steps before assembly.

Step 1



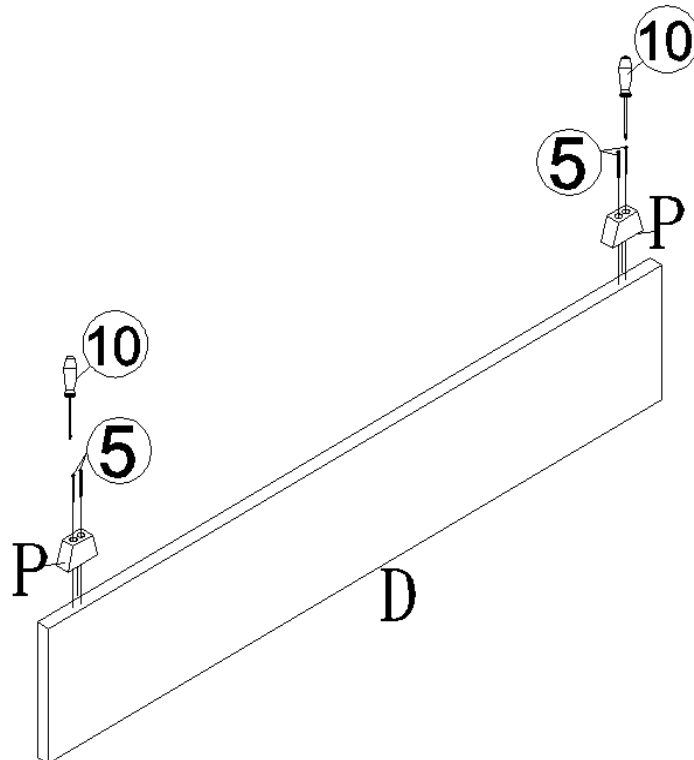
Unpack and place all parts for clear visibility.

Step 2



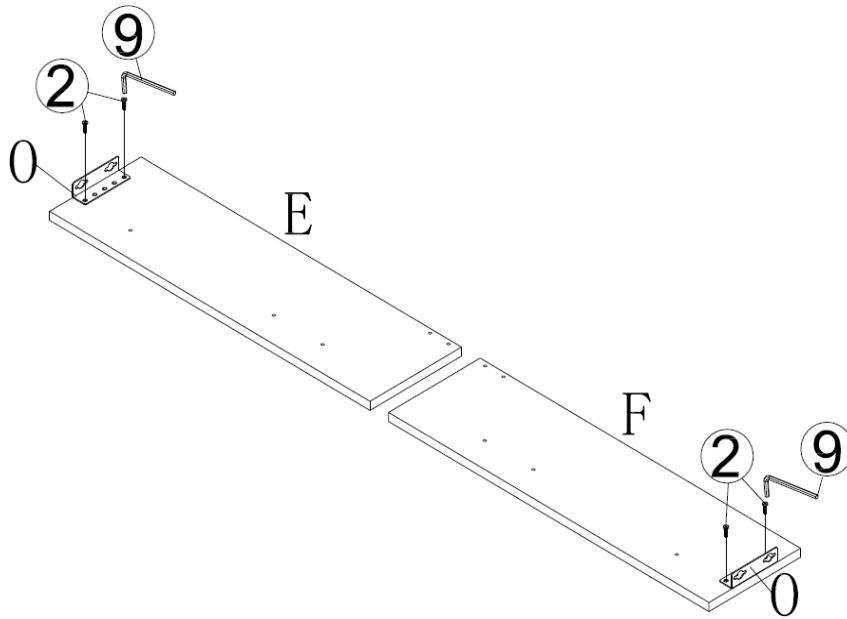
Place the Headboard(A) face down onto a clean, soft surface to avoid any scratches or damages to the product.
Attach Headboard Side Leg(B) and Headboard Center Leg(C) to Headboard(A) using Flat Washer(7) and Bolts(1) with Allen Key(8).
Note: Turn the assembled Headboard frame rightside up after assembling.

Step 3



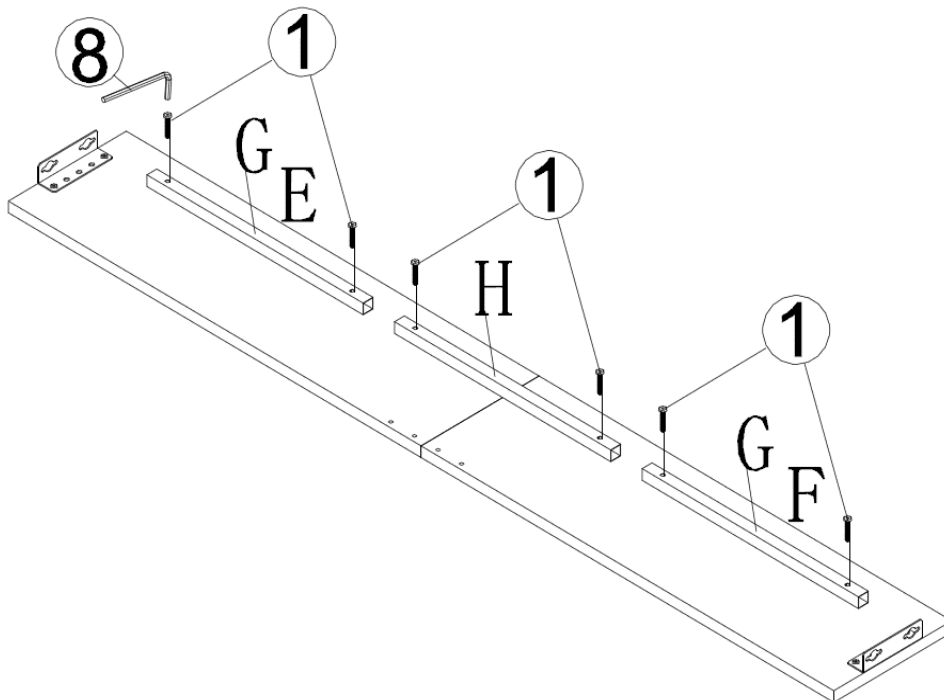
Place the Footboard(D) upside down as pix shown.
Attach Leg(P) to Footboard(D) with Screws(5) using Screwdriver(10).
Note: Turn Footboard(D) rightside up after assembling.

Step 4



Attach the first and fifth mounting position of Straight Connector(O) to Side Rail(E) and Side Rail(F) using Bolts(2) Allen Key(9).
Repeat same step to assemble remaining Side Rail(E&F).

Step 5



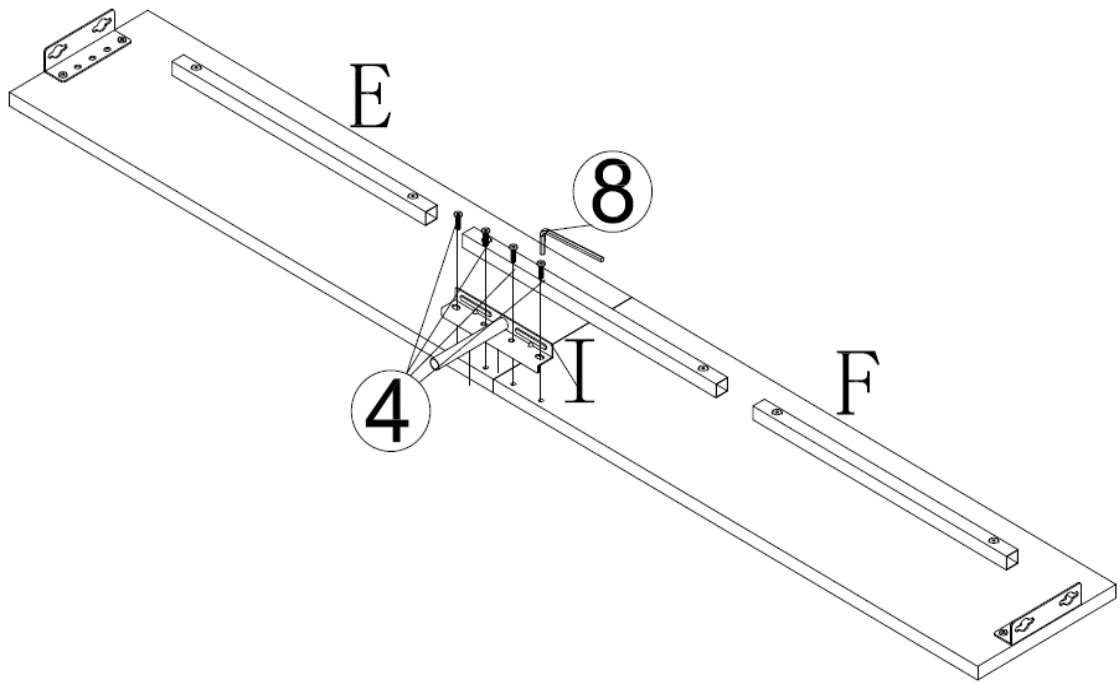
Align the mounting position of Side Cleat(G) and Center Side Cleat(H) to Side Rail(E&F).

Attach Side Cleat(G) and Center Side Cleat(H) to Side Rail(E&F) using Bolts(1) with Allen Key(8).

Repeat same step to attach the other Side Rail(E&F).

Note: After assembling, the mounting positions should facing upside.

Step 6



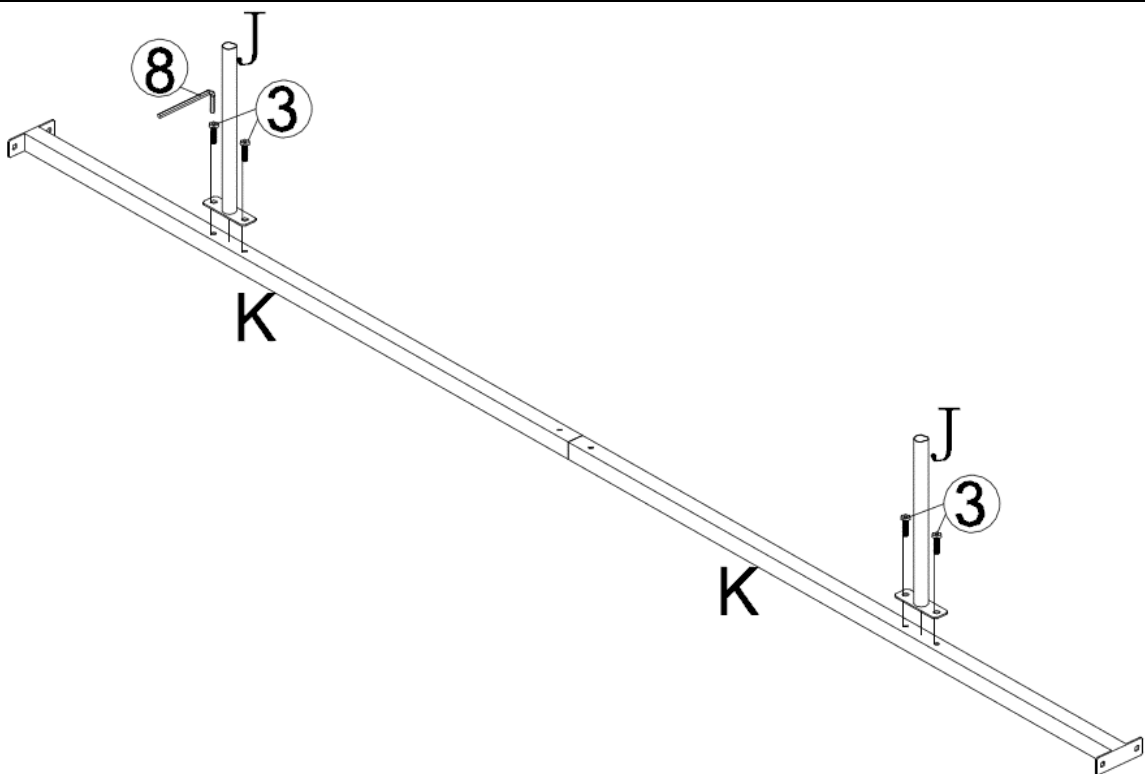
Place assembled Side Rail Frame(E&F) face skywards onto a clean, soft surface to avoid any scratches or damages to the product.

Attach Support Leg For Side Rail(I) to assembled Side Rail Frame(E&F) using Bolts(④) with Allen Key(⑧).

Repeat same step to assemble the other Support Leg For Side Rail(I) to the other assembled Side Rail Frame(E&F).

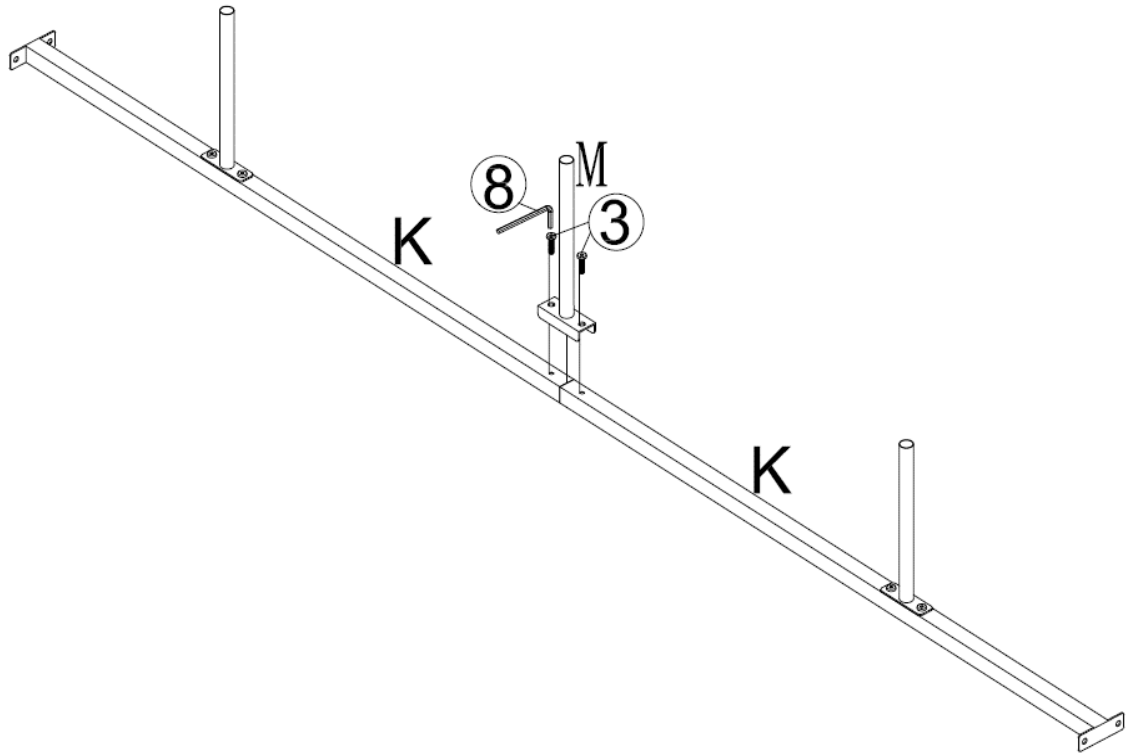
Note: Turn assembled Side Rail Frame(E&F) rightside up after assembling.

Step 7



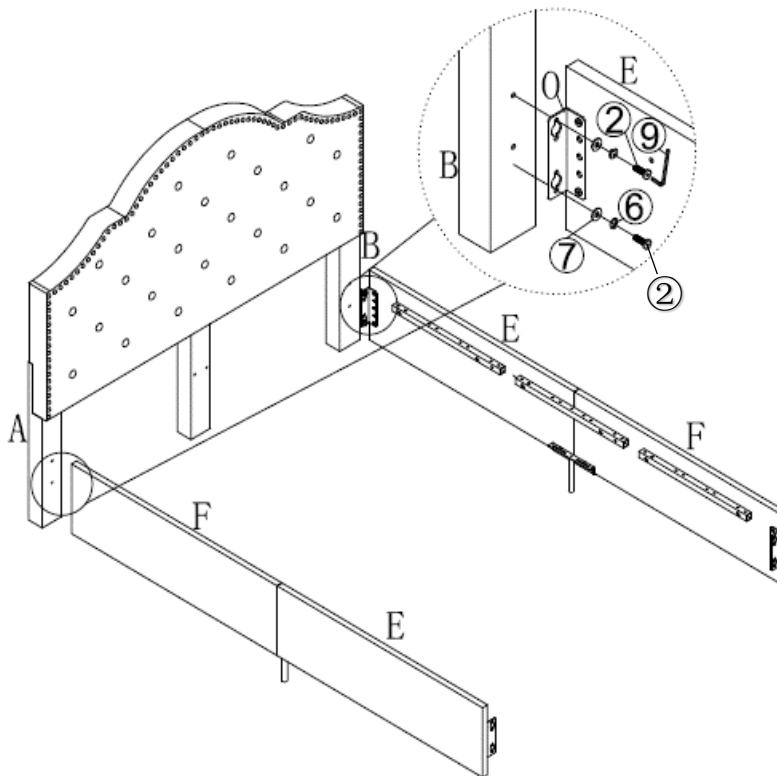
Attach Support Leg(J) to Center Support Rail(K) using Bolts(③) with Allen Key(⑧) as shown.

Step 8



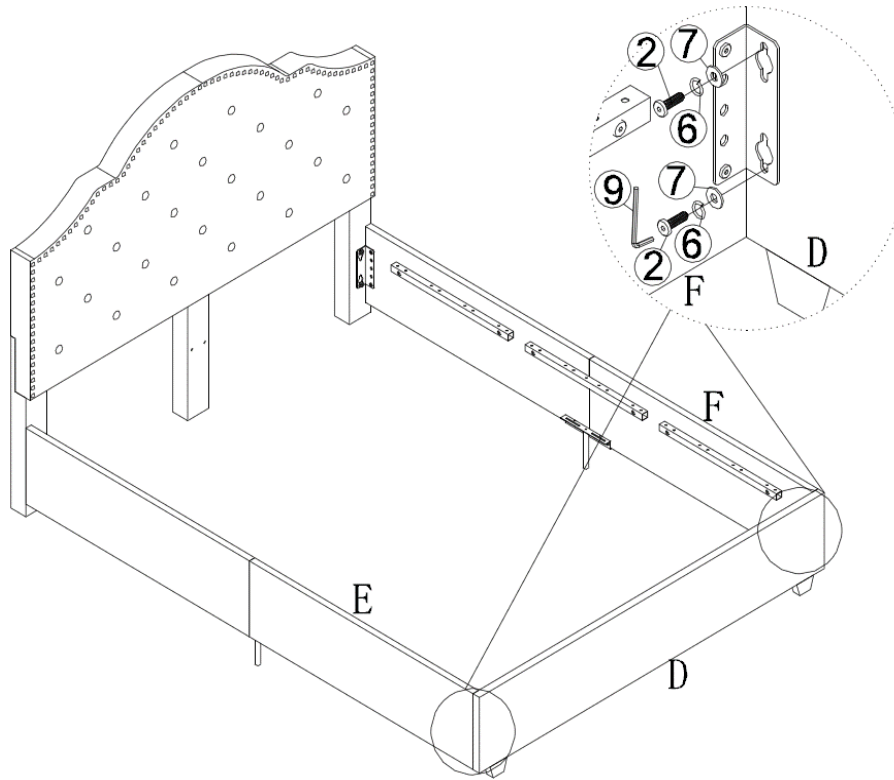
Align two Center Support Rail(K) together with U-shaped Support Leg(M). Attach U-shaped Support Leg(M) to Center Support Rail(K) by tightening using Bolts(③) with Allen Key(⑧) as shown.

Step 9



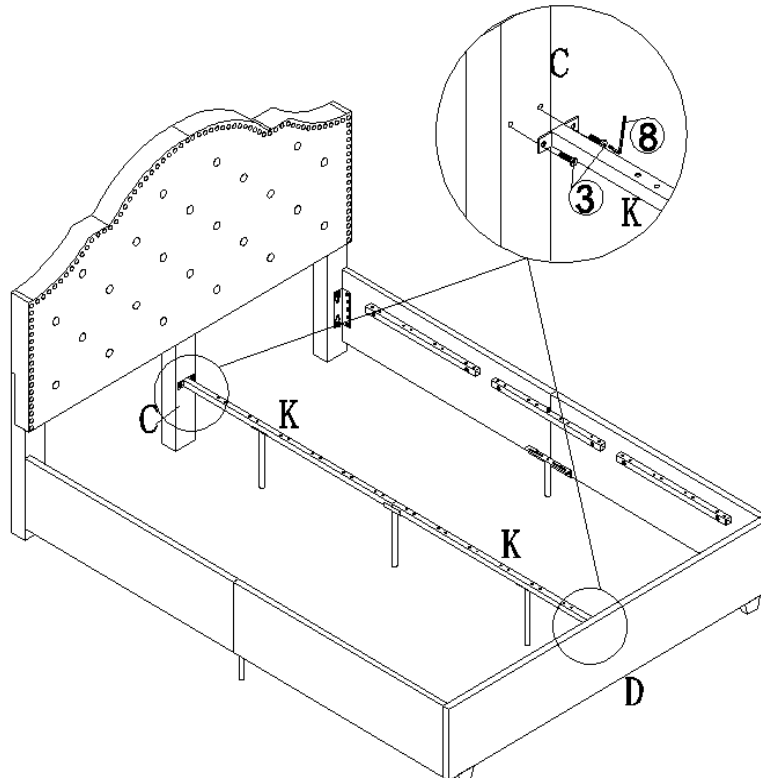
With the help of adult partner, align the mounting position of Straight Connector(O) on Side Rail(E) to Headboard Side Leg(B). Attach Straight Connector(O) on Side Rail(E) to Headboard Side Leg(B) using Flat Washers(⑦), Spring Washers(⑥) and Bolts(②) with Allen Key(⑨). Repeat the same step to assemble Side Rail(F) to Headboard Side Leg(B).

Step 10



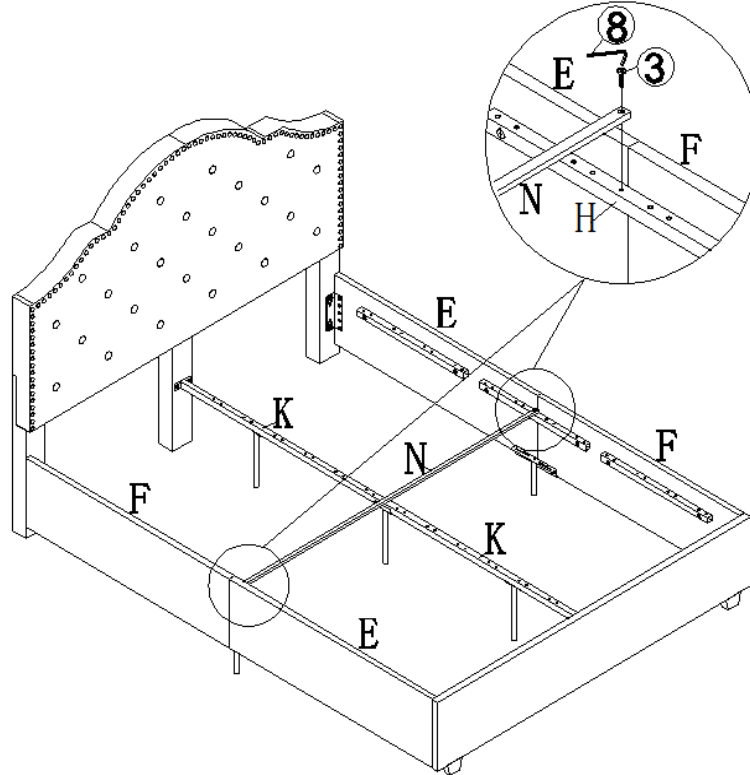
Align the mounting position of Straight Connector(O) on Side Rail(F) to Footboard(D).
Attach Straight Connector(O) on Side Rail(F) to Footboard(D) using Flat Washers(⑦), Spring Washers(⑥) and Bolts(②) with Allen Key(⑨).
Repeat the same step to assemble Straight Connector(O) on side Rail(E) to Footboard(D).

Step 11



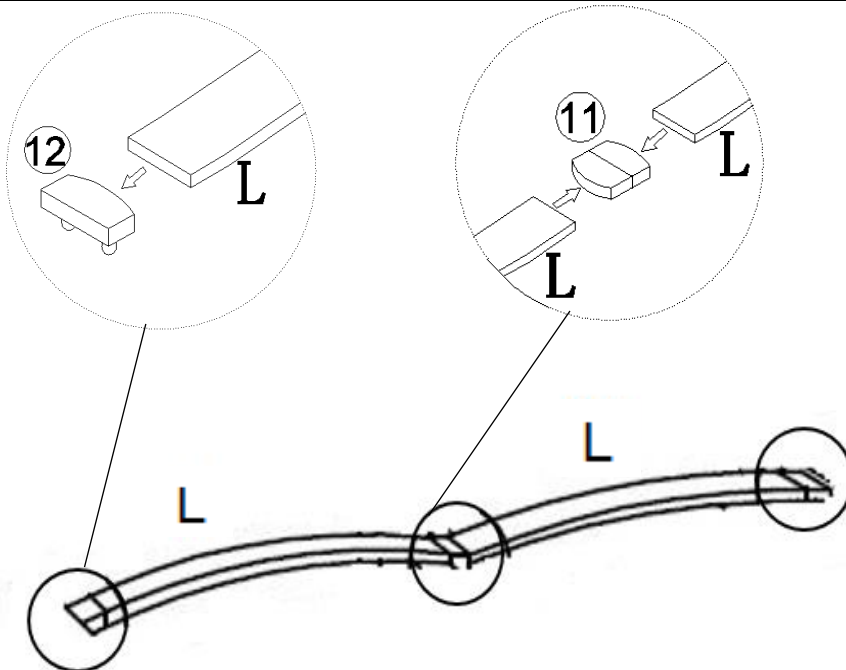
Turn the assembled Center Support Rail(K) rightside up.
Attach Center Support Rail(K) to Headboard Center Leg(C) and Footboard(D)
using Bolts(③) with Allen Key(⑧).
Note: After assembling Center Support Rail(K), the mounting positions of them
facing upside.

Step 12



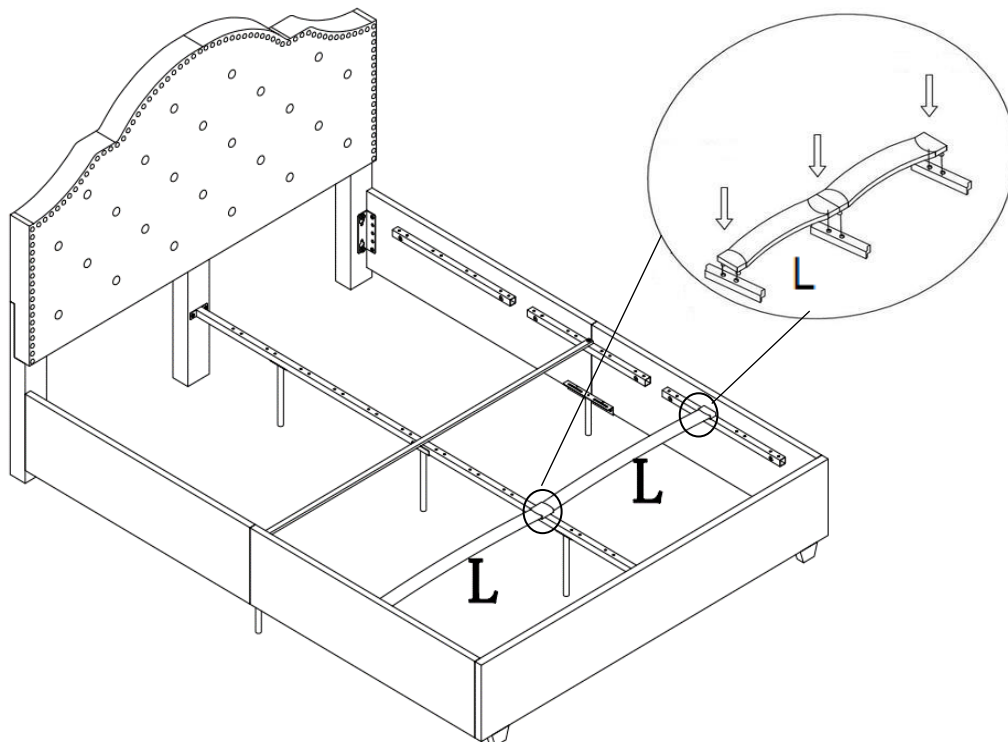
Attach Cross Center Support Rail(N) to Center Side Cleat(H) using Bolts(③)
with Allen Key(⑧).

Step 13



Attach Center Slat Plug(11) and Side Slat Plug(12) to Slat(L) as pix shown. Repeat same step to assemble remaining Slat(L).

Step 14

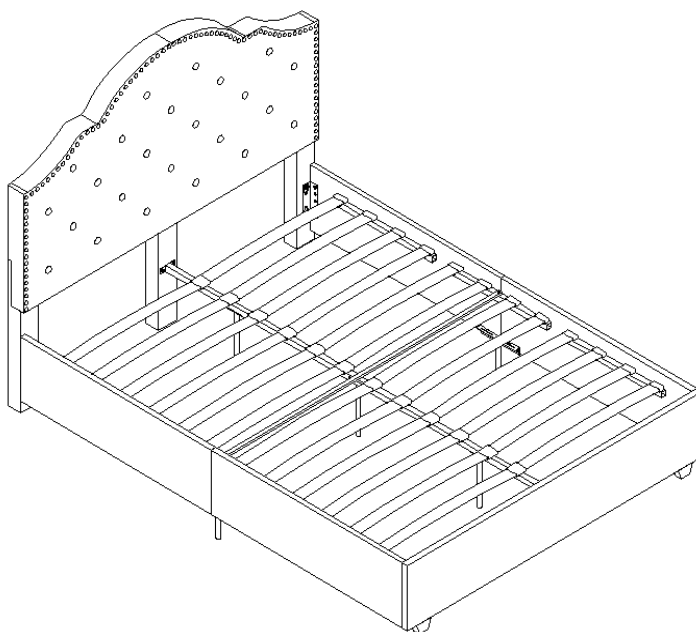


Now tighten all Bolts fully at all joints in a sequential manner.

Then, align assembled Slat(L) to the mounting position of Side Cleat(G), Center Side Cleat(H) and Center Support Rail(K) by pressing with hands.

Note: If necessary, tap assemble slat to ensure it is fully slotted into position.





















Step 15



Your Bed is ready for use.

Note: After assembly and before using the bed, inspect to make sure all parts are properly connected and securely fastened.

Care & Maintenance

-   • Do not put hot items directly on furniture surface
 -   • Do not clean furniture with harsh cleansers or polish.
 -   • Do not place furniture under direct sunlight.
 -   • Do not place furniture near heating or cooling vents.
 -   • Do not write on furniture without a padded barrier to protect the surface.
 -   • Do not place furniture outside . For indoor use only .
 -   • Not for commercial use. For residential use only .
 -   • Stains may be removed with mild soap solution and damp cloth.
 -   • Children should not climb or jump on the furniture.
-
-   • Dust and pick-up spills using a clean, non-colored, lint-free cloth .