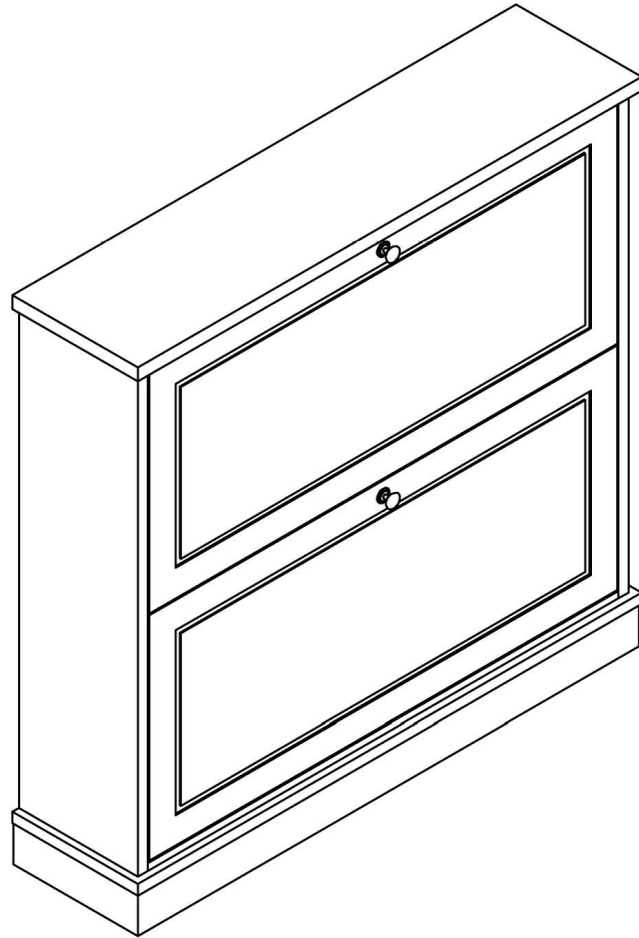


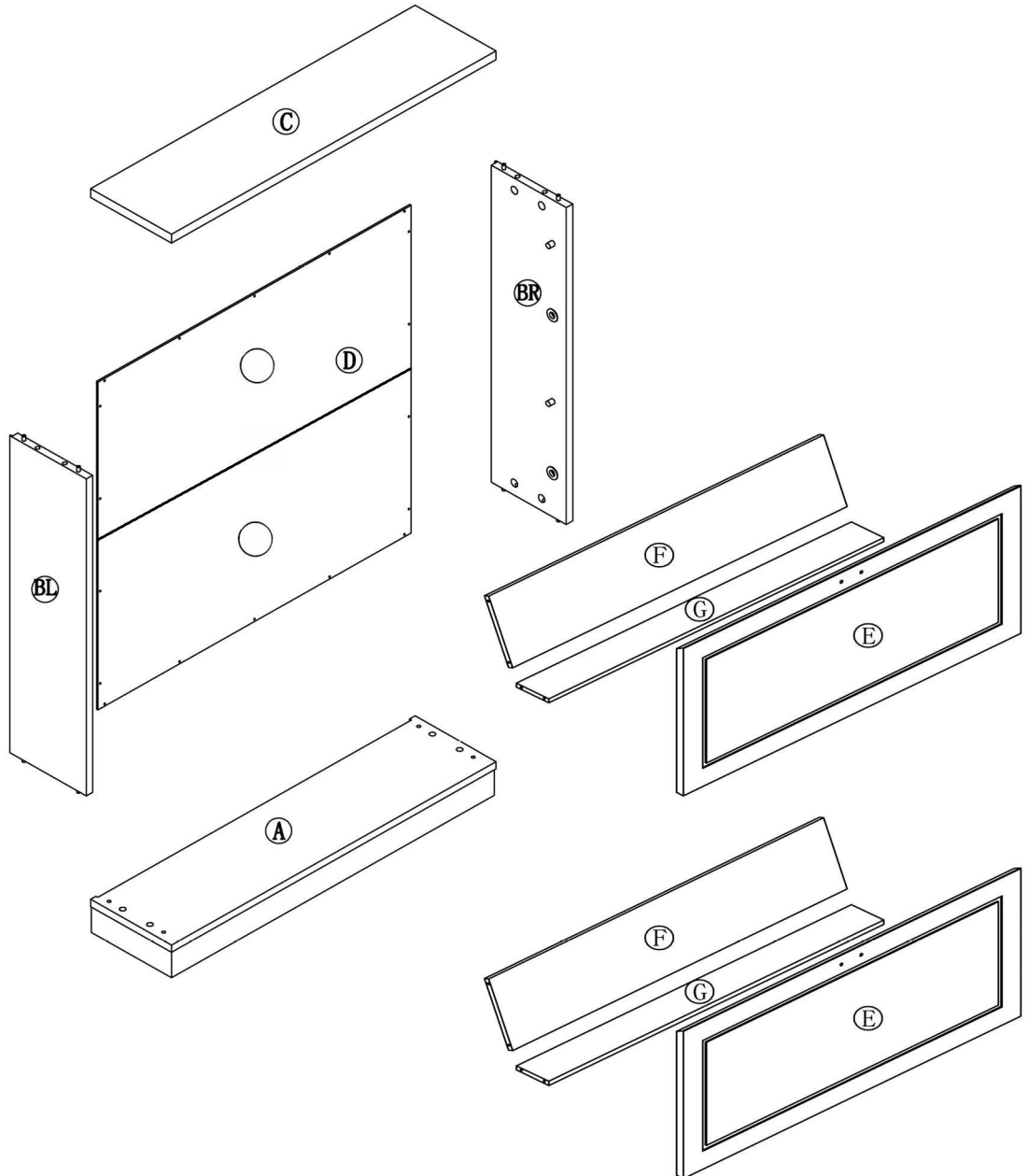
# ASSEMBLY GUIDE



Note: This instruction booklet contains important safety information, please read and keep for future reference.

# PARTS IDENTIFICATION

- Ensure that all parts and components are located before beginning assembly. Parts are labeled to help distinguish similar parts from each other. Use this PARTS IDENTIFICATION to help identify similar parts.
- Assemble on a soft surface to prevent damage to the product finish.
- Two people are needed for assembly.
- Estimated assembly time is approximately 1.5 hours.

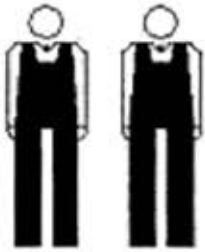


(A)BASE UNIT-1PC  
(C)COVER BOARD-1PC  
(F)PANEL-2PCS

(BL)LEFT PANEL-1PC  
(D)BACK PANEL-1PC  
(G)PANEL-2PCS

(BR)RIGHT PANEL-1PC  
(E)DOOR-2PCS

# HARDWARE IDENTIFICATION



TOOL REQUIRED



PHILLIPS HEAD  
SCREWDRIVER



SHORT FLAT  
SCREWDRIVER

(R1)FLAT HEAD SCREW  
ST4.5X12-4PCS



(R2)FLAT HEAD SCREW  
ST3.5X15-12PCS



(R3)FLAT HEAD SCREW  
ST2.5X12-33PCS



(R4)CAM BOLT-8PCS



(R5)CAM LOCK-8PCS



(R6)DOOR KNOB-2PCS



(R7)SWIVEL SHOE SHELF-2PCS (R8)SWIVEL SHOE SHELF-2PCS



(R9)PLASTIC PAD-4PCS



(R10)PLASTIC SCREW ANCHOR  
-1PC



(R11)SUPPORT STRAP-1PC



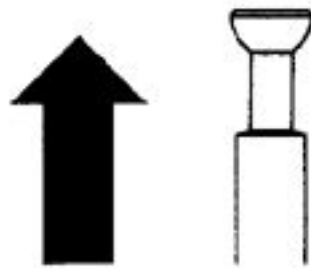
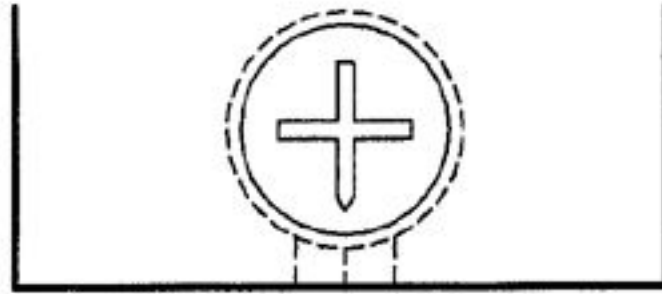
(R12)FLAT HEAD SCREW  
ST3X15-1PC



(R13)PLASTIC VENT  $\varnothing$ 45-2PCS



# CAM LOCK SYSTEM



(1)

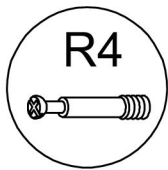
CORRECT



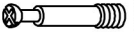
(2)

WRONG

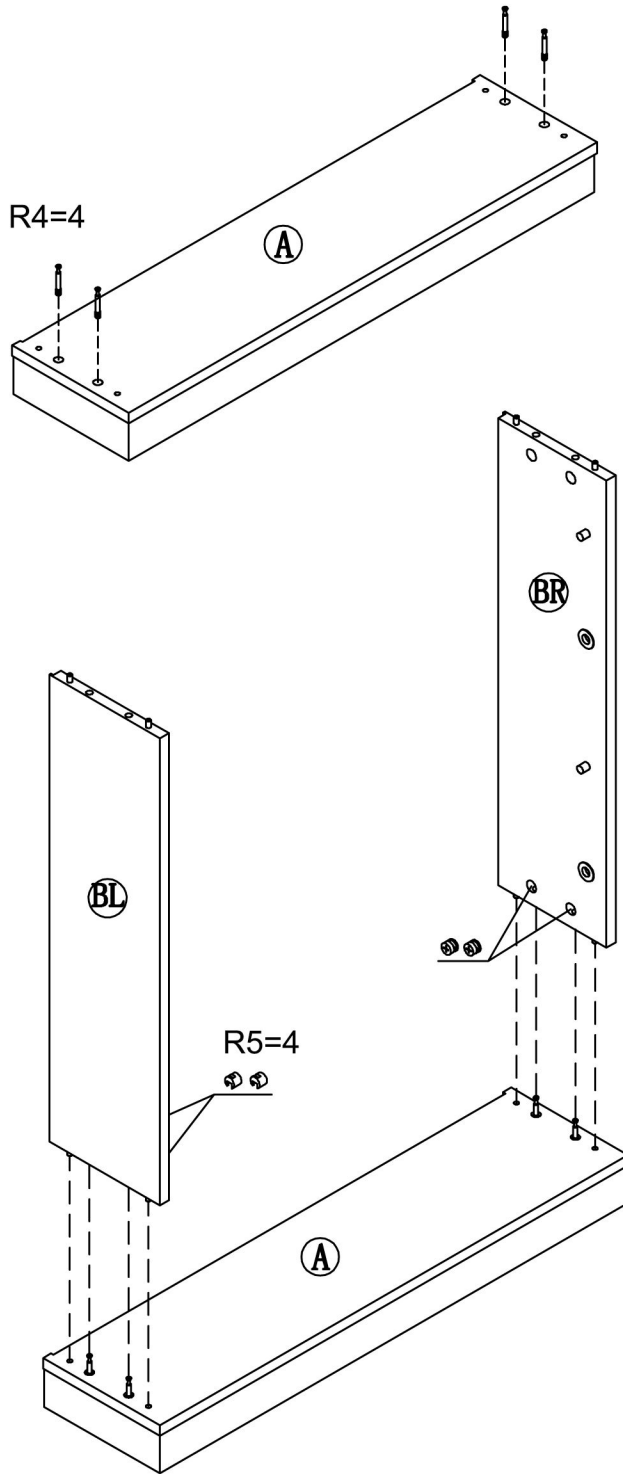
Ensure starting position is correct, adjust cam bolt by pushing or pulling during assembly. Turn clockwise until secure.



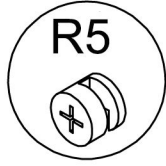
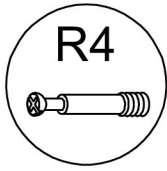
(R4)CAM BOLT:4PCS



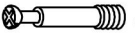
(R5)CAM LOCK:4PCS



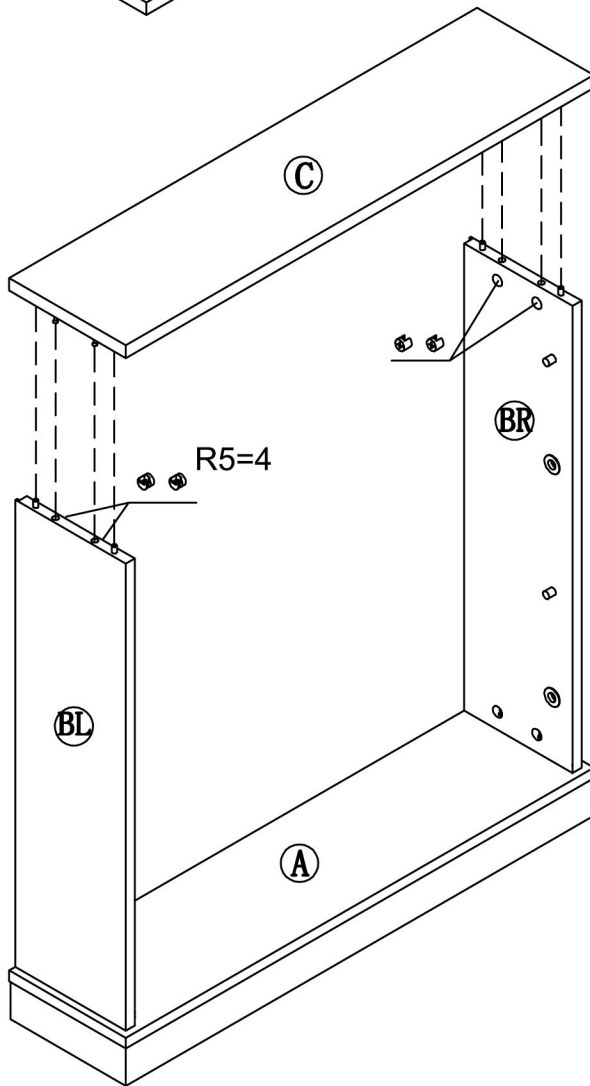
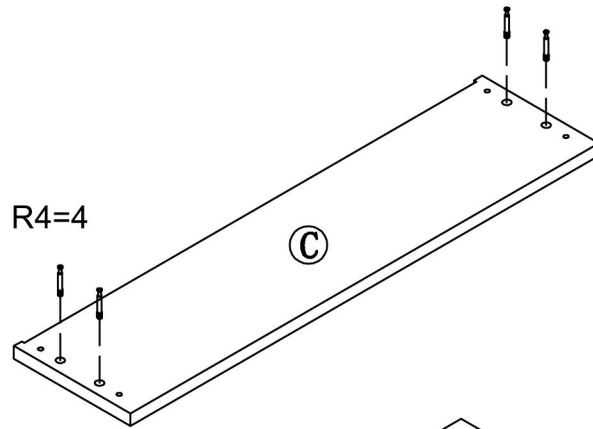
1. a)Fasten 4 cam bolt R4 to base unit A.
- b)Fasten left and right panel BL &BR to base unit A, using 4 cam lock R5.



(R4)CAM BOLT:4PCS

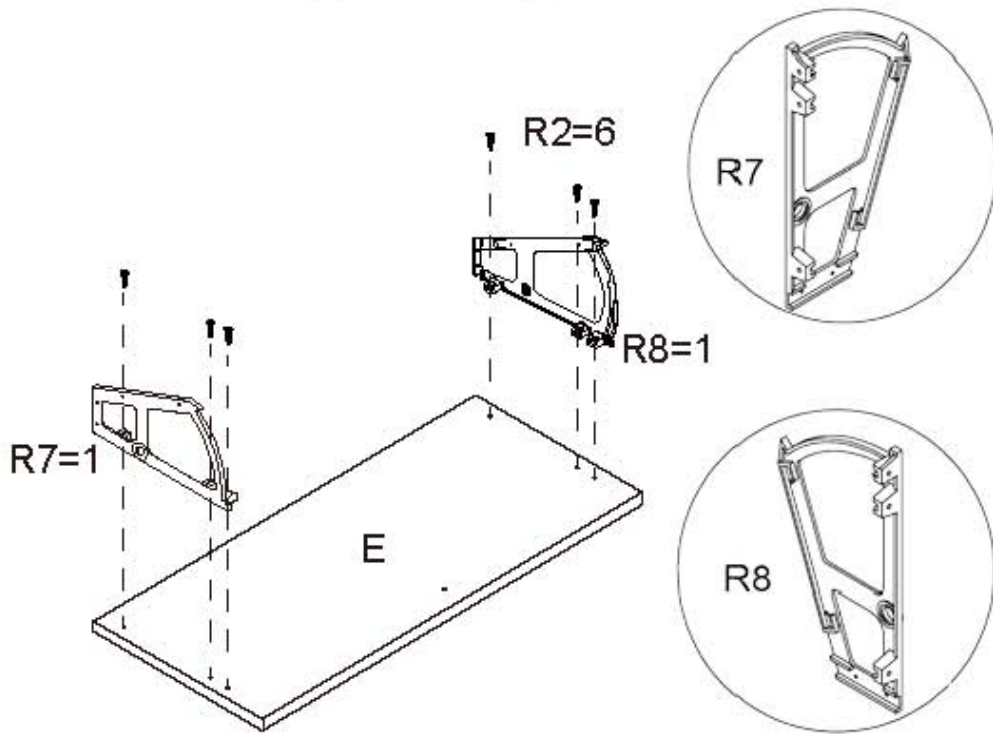



(R5)CAM LOCK:4PCS





2. a)Fasten 4 cam bolt R4 to cover board C.


b)Fasten cover board C to left and right panel BL&BR, using 4 cam lock R5.



(R2)FLAT HEAD SCREW  
ST3.5X15:12PCS 

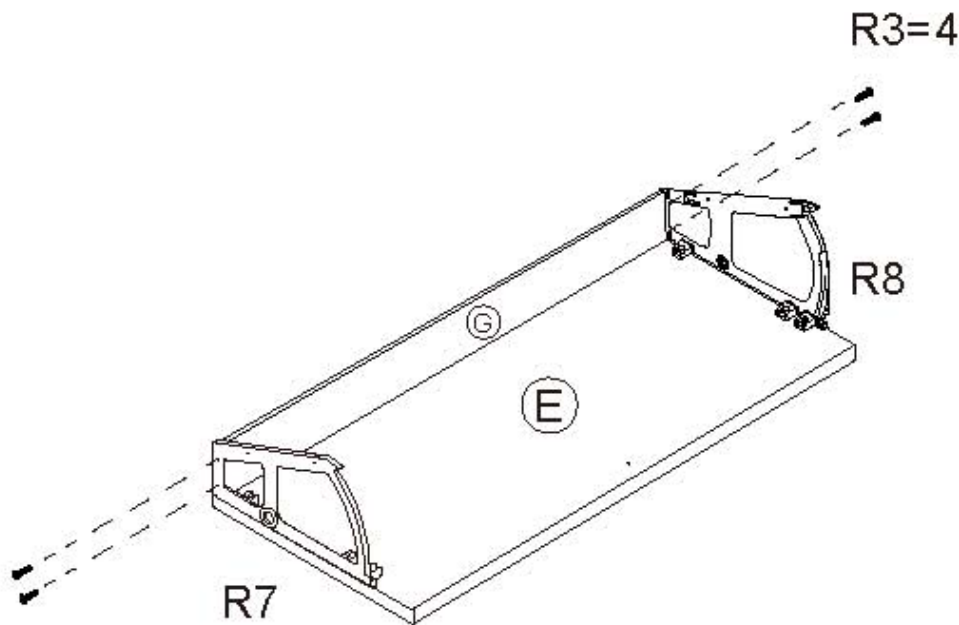
(R3)FLAT HEAD SCREW  
ST2.5X12: 8 PCS 

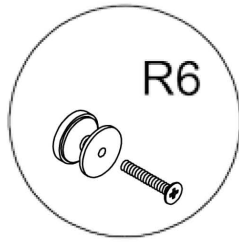
(R7)SWIVEL SHOE SHELF  
:2PCS 

(R8)SWIVEL SHOE SHELF  
:2PCS 

3. a)Fasten the swivel shoe shelf  
R7 & R8 to door E, using 6  
flat head screw R2  
(ST3.5X15).

b)Insert panel G into the slots  
of the swivel shoe shelf  
R7 & R8 and fasten it using  
4 flat head screw R3  
(ST2.5X12).





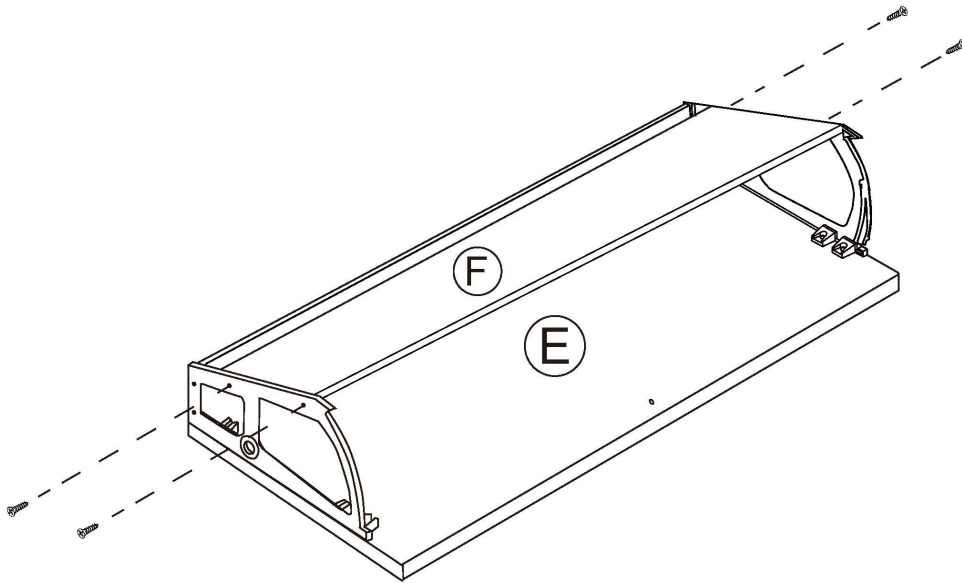
(R3)FLAT HEAD SCREW  
ST2.5X12: 8PCS



(R6)DOOR KNOB:2PCS



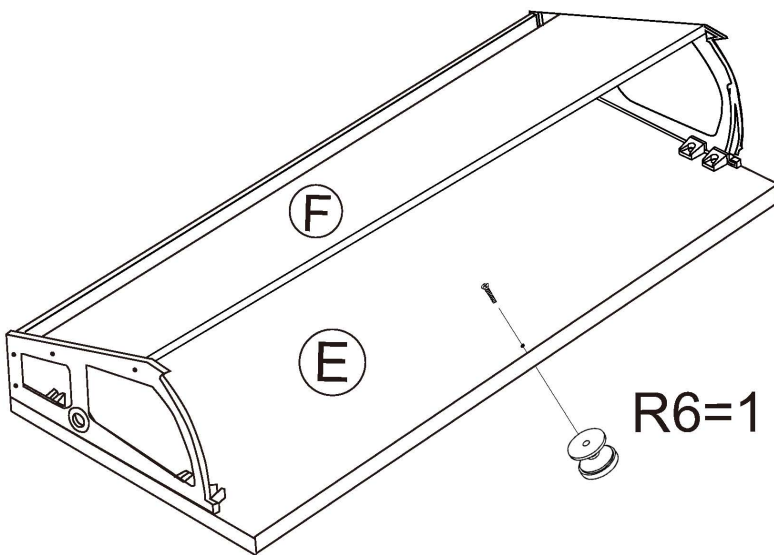
R3=4



c)Insert panel F into the slots of  
the swivel shoe shelf R7 & R8  
and fasten it using 4 flat head  
screw R3(ST2.5X12).

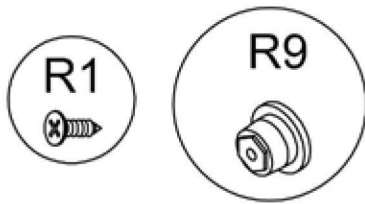
d)Fasten 1 door knob R6 to door  
E.



e)Repeat above steps for  
another door.

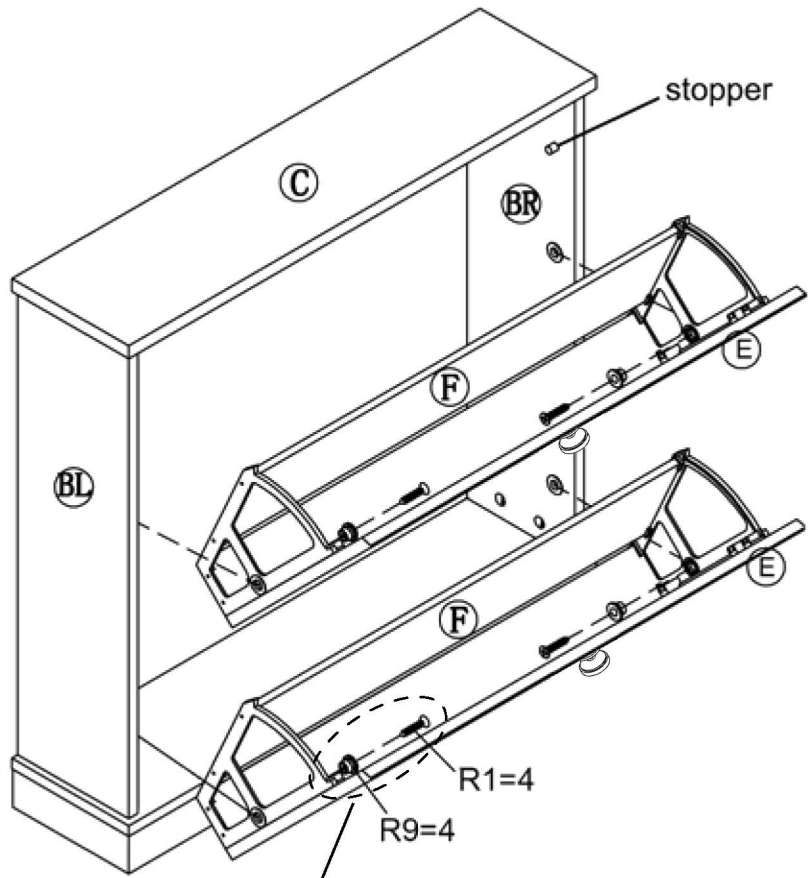


R6=1



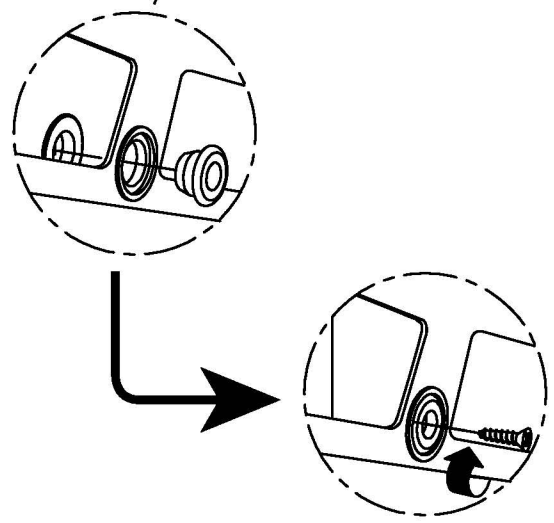


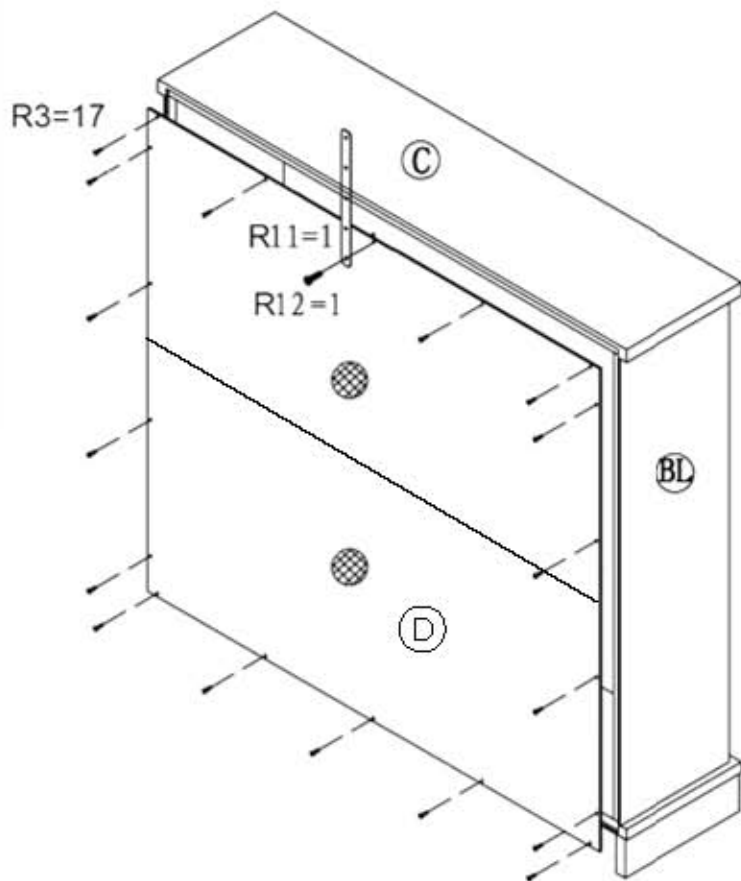
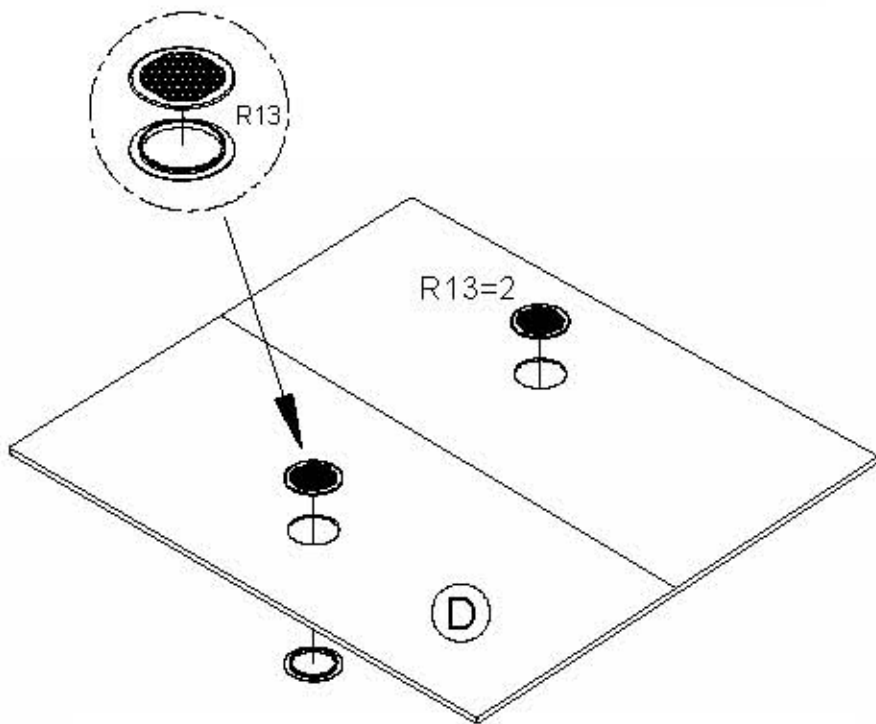
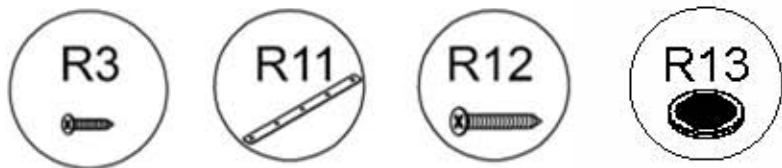
- (R1)FLAT HEAD SCREW  
ST4.5X12:4PCS 
- (R9)PLASTIC PAD:4PCS 




4. a)Put bottom door E in right position, then insert 2 plastic pad R9 into place and fasten them with 2 flat head screws R1(ST4.5x12).
- b)Repeat above step for top door E.


**Note:**Make sure the stopper on side panel can hold the swivel shoe shelf.  
Make sure the hexagon shape on the bottom of plastic pad meets well with the counterpart on left and right panel BL&BR.






(R3)FLAT HEAD SCREW  
ST2.5X12:17PCS 

(R11)SUPPORT STRAP:1PC 

(R12)FLAT HEAD SCREW  
ST3X15:1PC 

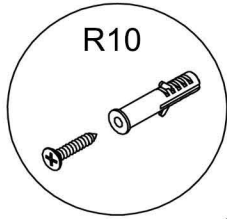
(R13)PLASTIC VENT  $\varnothing$ 45-2PCS 

5.a)Cross and combine plastic vent R13 with back panel D.

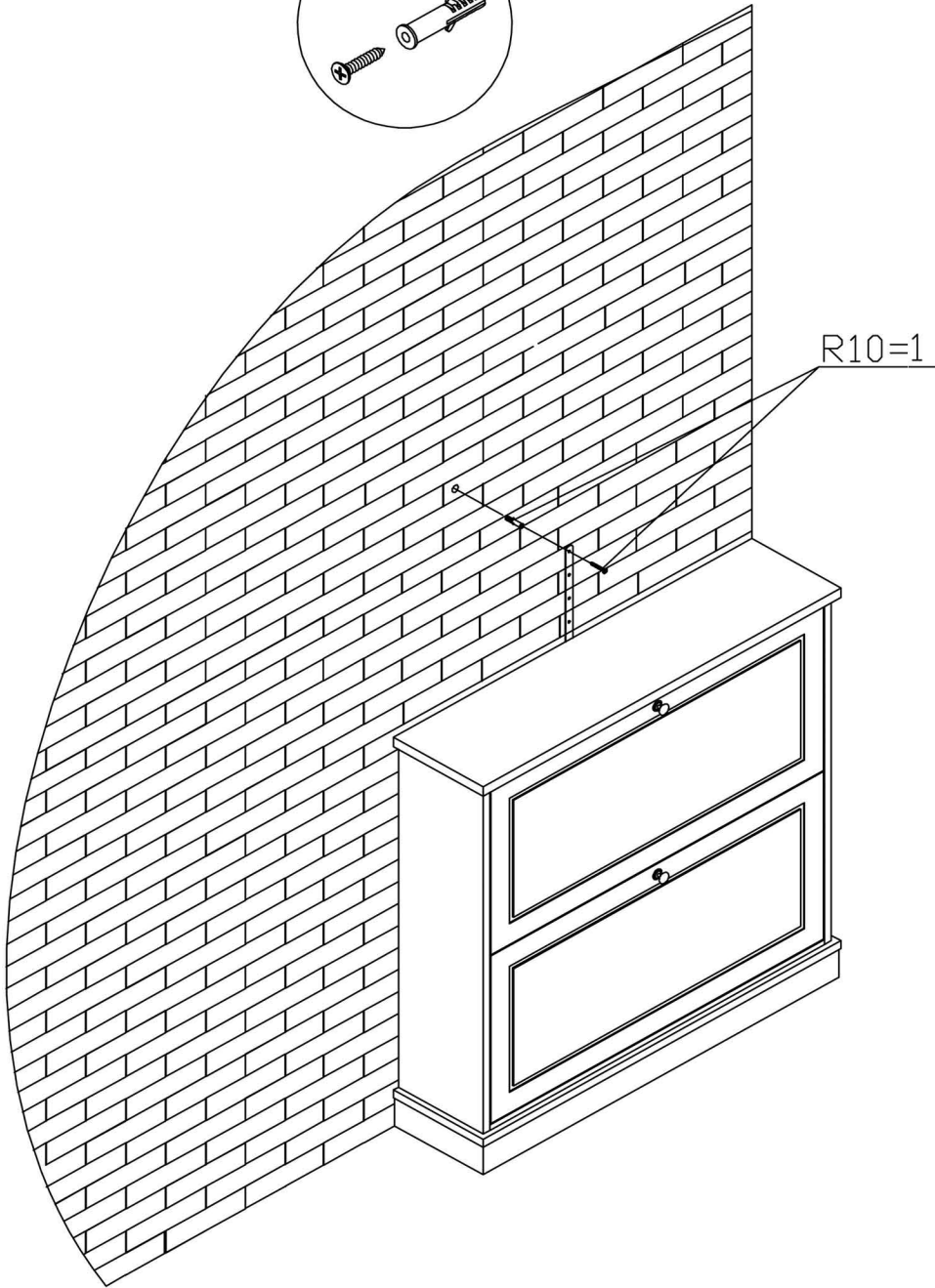
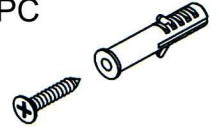
b)Fasten back panel D to left and right panel BL & BR,cover board C and base unit A, using 17 flat head screw R3(ST2.5X12).

c)Fasten support strap R11 through the hole on back panel D to cover board C using 1 flat head screw R12(ST3X15).

Note:You can push the cover board C if gaps along door E don't align before fixing the back panel D.



(R10) PLASTIC SCREW ANCHOR-1PC



6. As an added safety feature a support strap R11 on cover board C has been provided. It must be attached to the wall using plastic screw anchor R10.

# Care and Maintenance of your Furniture

- 1.Ensure metal plated hinges are kept dry to avoid rusting.
- 2.Please periodically check all fittings and re-tighten as necessary.
- 3.Wipe occasionally with a soft cloth slightly dampened with water.Then buff with a dry clean soft cloth.
- 4.Never allow any kind of liquid to remain on your furniture. Absorption can cause wood to warp or finishes to de-laminate.