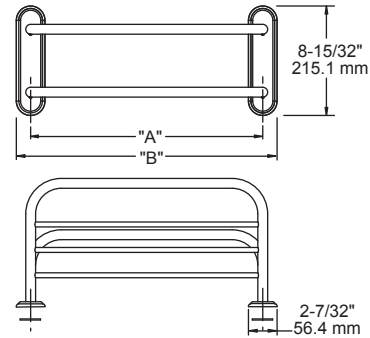
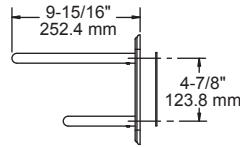


# Towel Shelves

# TOWEL SHELF WITH 1 BAR 2790



## MATERIALS:

Escutcheon - Stamping Brass  
18", 24" Tube - Brass 3/4" O.D., 18 Gauge, Seamless Drawn Tubing  
Wall Plate - Steel x 13 Gauge, Nickel Plated

## INSTALLATION:

Mount 2 wall flanges at 18" C-C for 18" towel shelf, 24" C-C for 24" towel shelf with 4 #10 x 1-1/2" round head zinc plated steel screws provided. Mount towel shelf and bar by sliding open ends of tubing on to projecting fittings on wall flanges and tighten set screws until secure.

LENGTH	18" (457 mm)	24" (610 mm)
DIM "A"	18" (457 mm)	24" (610 mm)
DIM "B"	20-7/32" (514 mm)	26-7/32" (666 mm)

## OPTIONAL FASTENER INFORMATION:

Wood blocking is preferable behind all wall surfaces. If wood blocking is not available, the following fasteners are suggested: Tile/Masonry - Plastic or Lead Anchors, Plaster/Drywall - Toggle Bolts.

## SPECIFICATION:

Surface mounted towel shelf with 1 bar shall be model \_\_\_\_\_  
(fill in model number) by Liberty Hardware Manufacturing Corporation.

**FranklinBrass**<sup>®</sup>  
A Liberty Hardware Brand