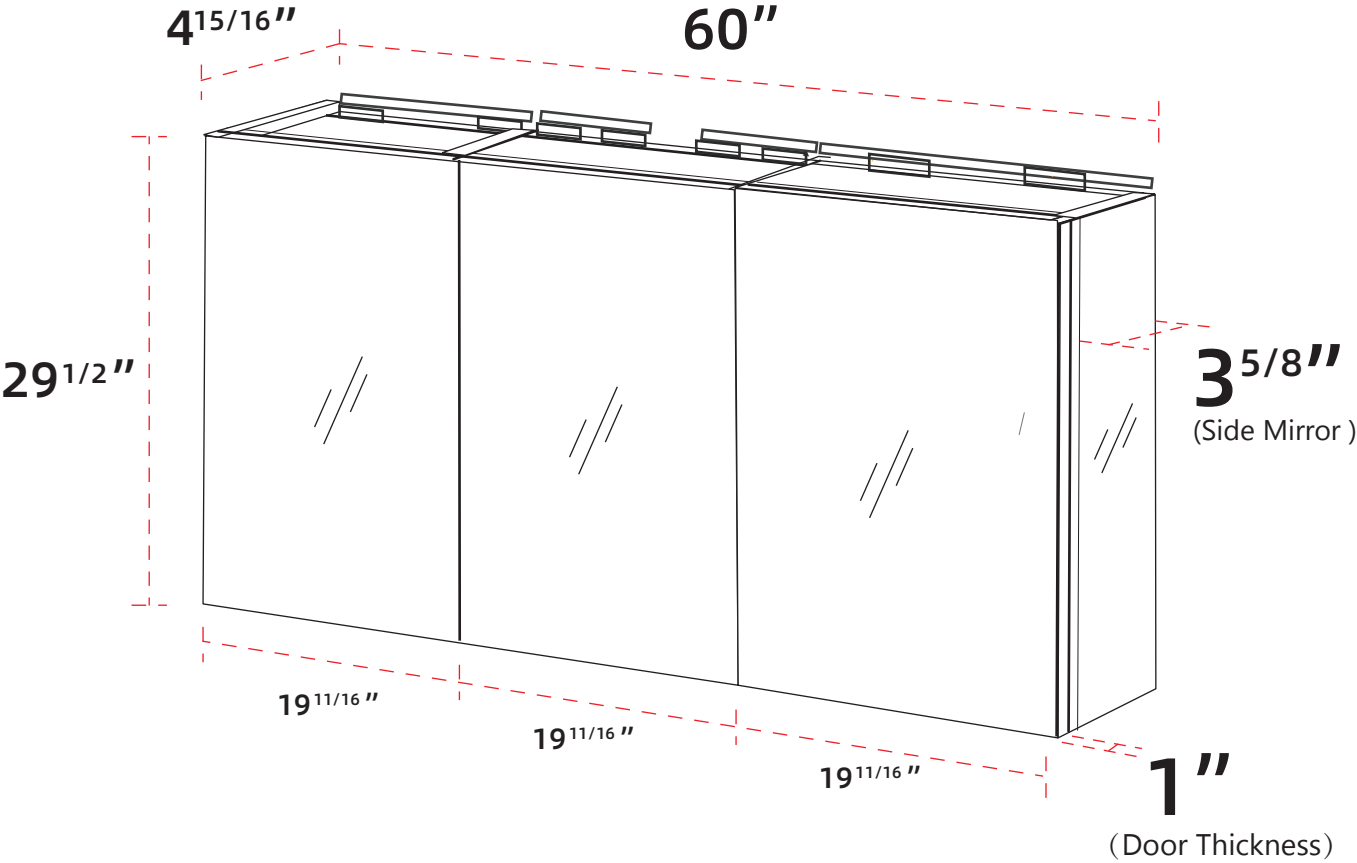


SIZE DETAILS

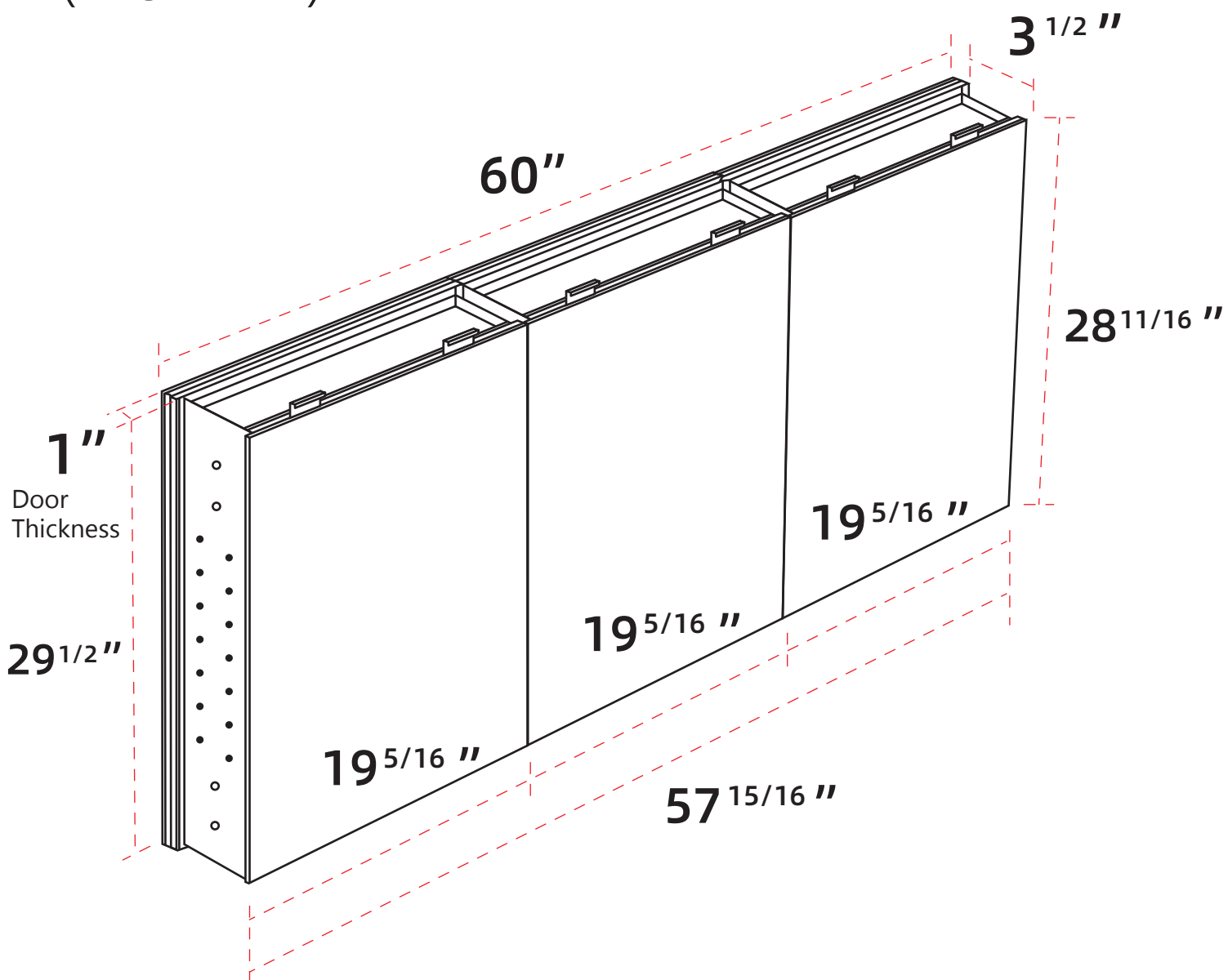
HIGH QUALITY MEDICINE CABINET



(FRONT VIEW)



(BACK VIEW)



The Opening Size for Recessed Mount

Width 58 3/4" (1492mm)

Height 29 3/16" (742mm)

Depth $\geq 4 \frac{5}{16}$ " (≥ 110 mm)