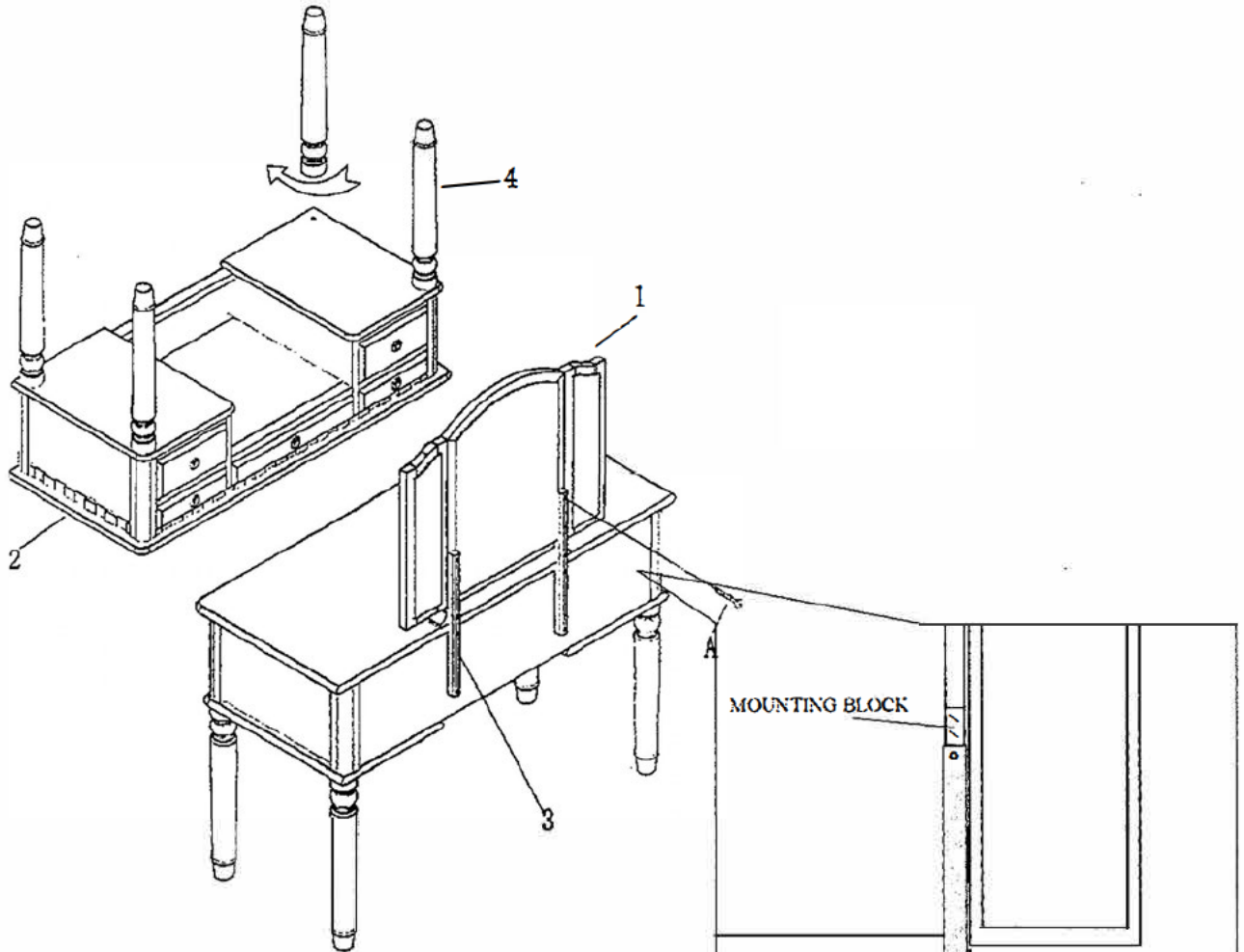


ASSEMBLY INSTRUCTION



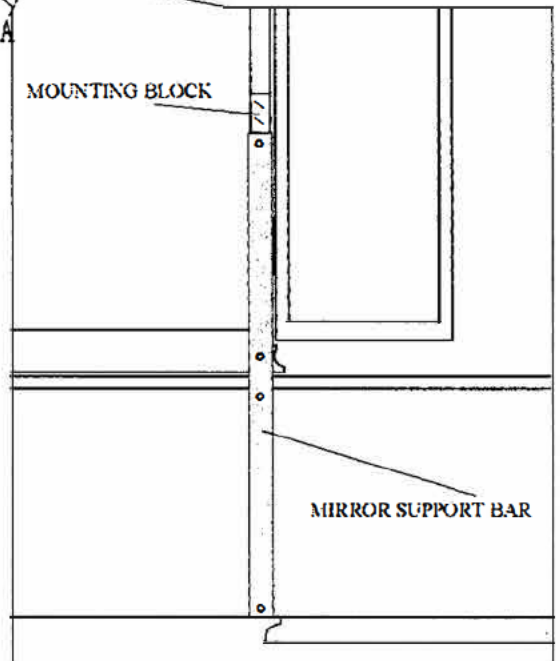
Mounting and Securing the Mirror

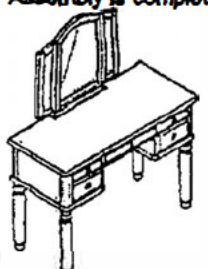

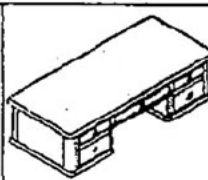



Step 1:

Mount the mirror support bars (3) onto the back of the mirror (1). (Right under the Mounting Block.)

Step 2:

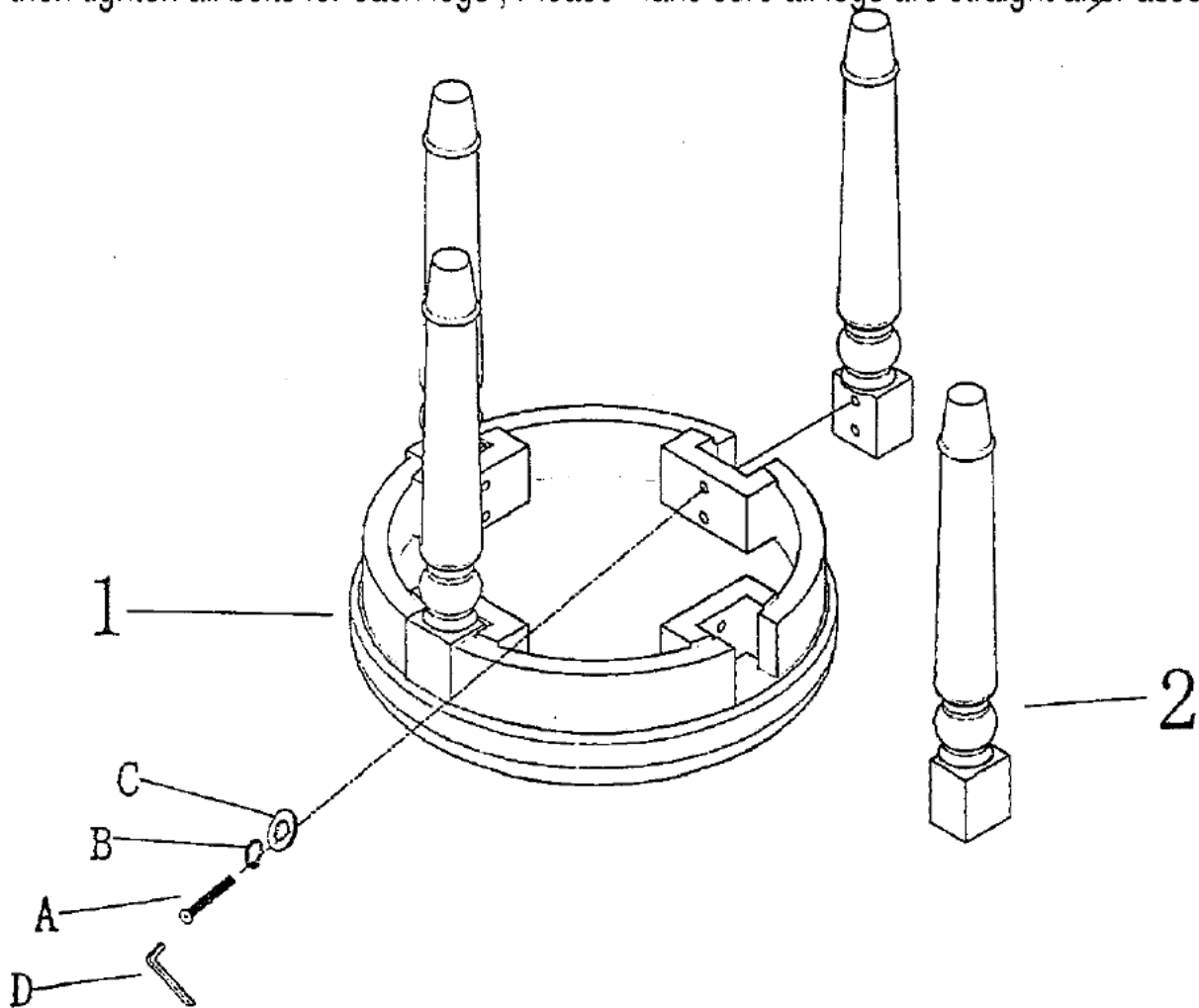
Center the Mirror unit and then mount the mirror unit to the back of the vanity desk (2).



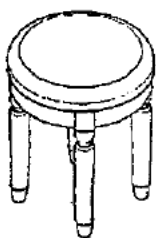
Assembly is completed	PART LIST				HARDWARE LIST		
	NO	DESCRIPTION	QTY				
	 (1SET) 1- MIRROR	 2- TOP (1PC)	 (2PCS) 3-BACK BAR	 4-LEG (4PCS)	A	SCREW 1-1/4" L 	8PCS

ASSEMBLY INSTRUCTION

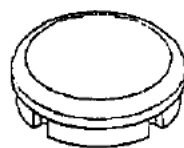
Warning! Please do not tighten all the bolts before all legs are attached. Place the stool on top of a glass or flst/balance surface on all legs , then tighten all bolts for each legs , Please make sure all legs are straight after assembled



Assembly is completed



PART LIST



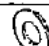



1-TOP 1PC



2-LEG 4PCS

HARDWARE LIST

NO	DESCRIPTION	QTY
A	BOLT 	8PCS
B	LOCK WASHER 	8PCS
C	FLAT WASHER 	8PCS
D	WRENCH 	1PC