

HAPPINESS INSTALLATION



CAUTION

Parts are placed at the bottom of the product.

- If you have any questions with the product, please contact us by:
- **Email: customerservice@zoy-living.com**
(we will reply to you within 24 hours)

Assembly Instructions

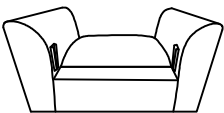
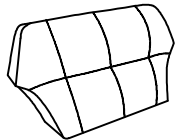

0063

Your chair comes packaged in one box. Carefully remove all of components from the packaging and set aside for assembly.




CAUTION:



DO NOT use any sharp objects to open plastic wrapped components as damage to product or components may result.

Package Contents

		
A*1 Seat cushion	B*1 Back cushion	C* 4 Legs

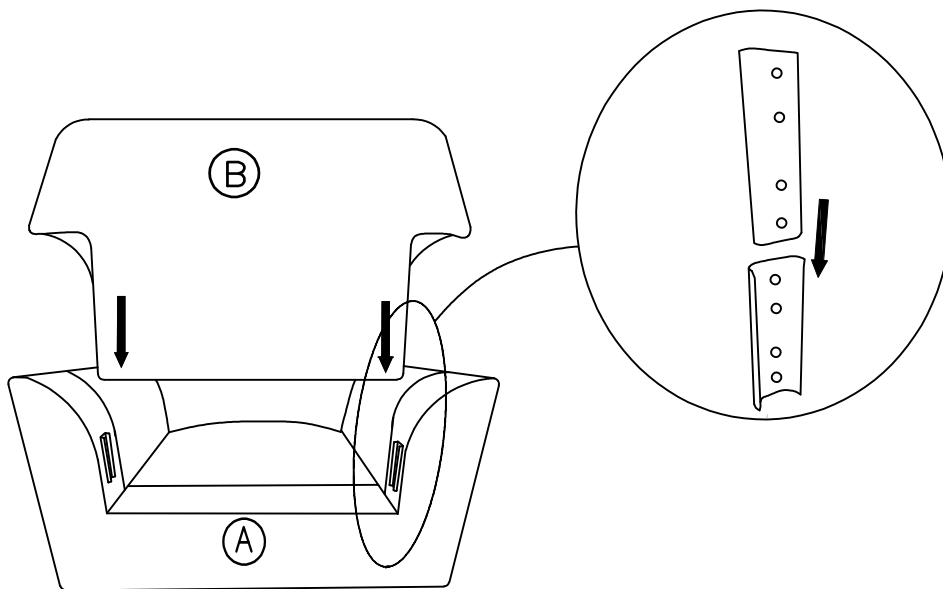
HARDWARE LIST

		
D*12 Bolts 5/16"*30mm	E*13 Flat washers 5/16"*Ø22*2mm	F*13 Lock Washers 5/16"*Ø13*1.5mm

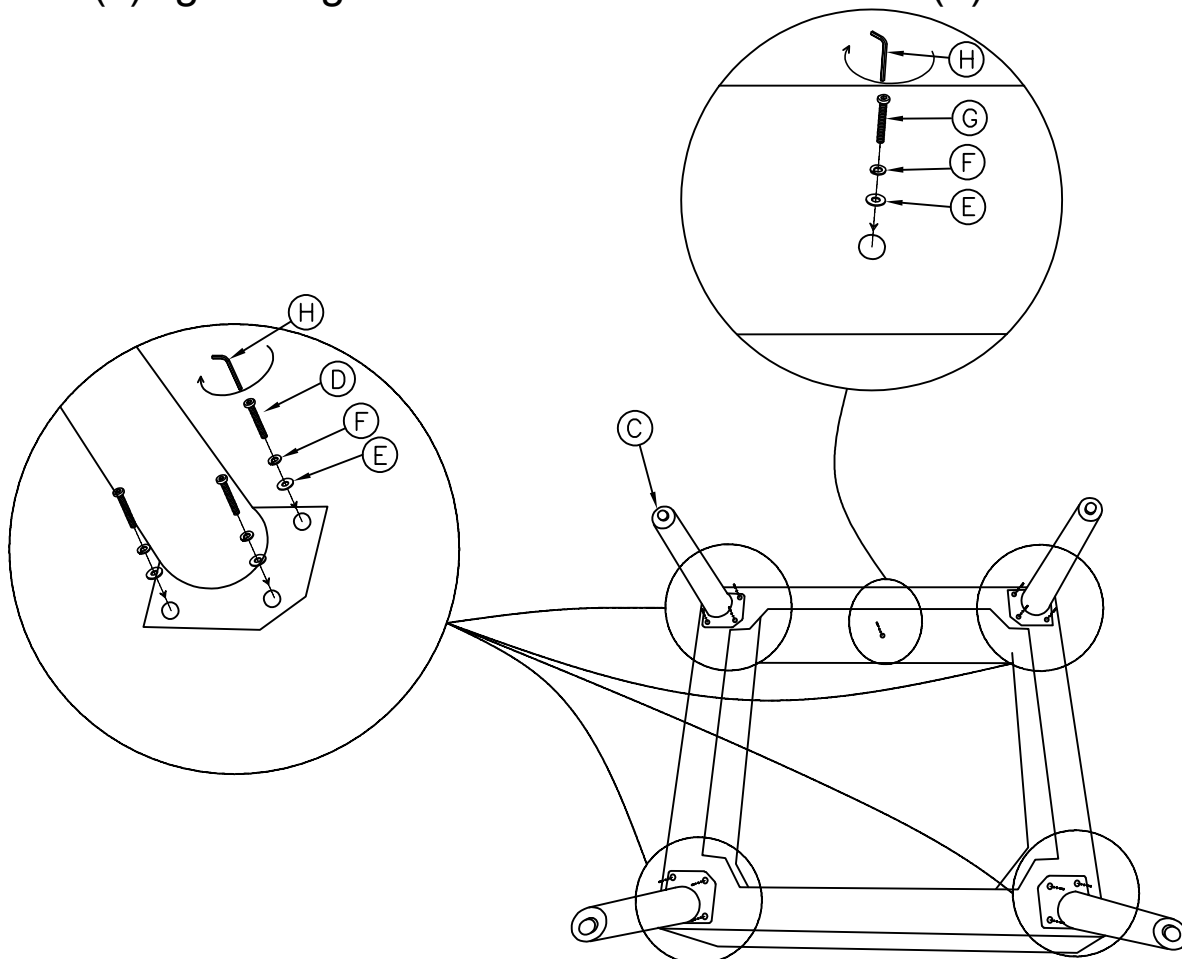
	
G*1 Bolt 5/16"*110mm	H* 1 Allen Wrench M5*70*30mm

.....

Step 1: Put the chair back cushion (B) on the chair seat cushion (A)

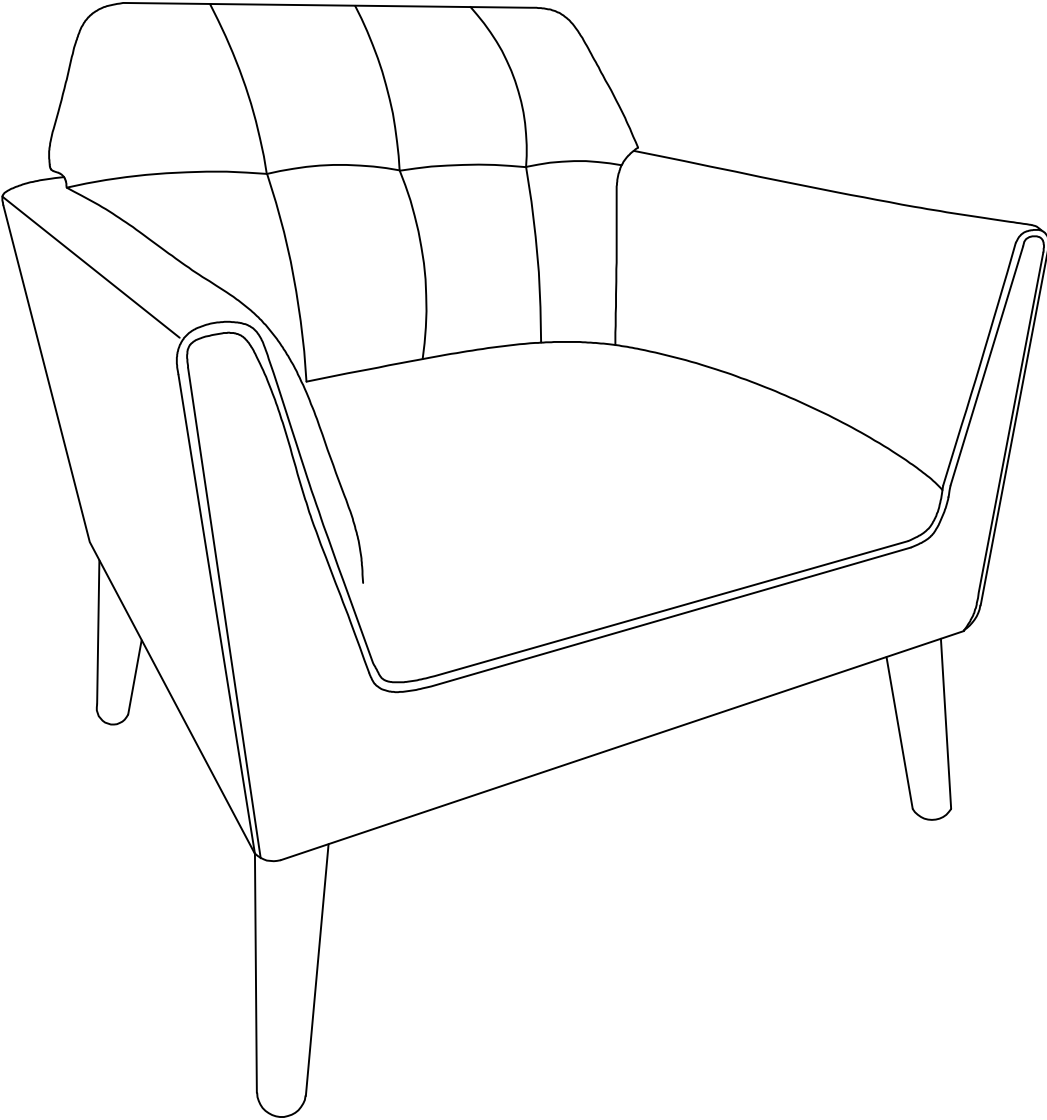


Step 2: Flip the chair 180 degrees to install the chair legs (C) and chair back cushion (B) tightening bolts to the chair seat cushion (A)

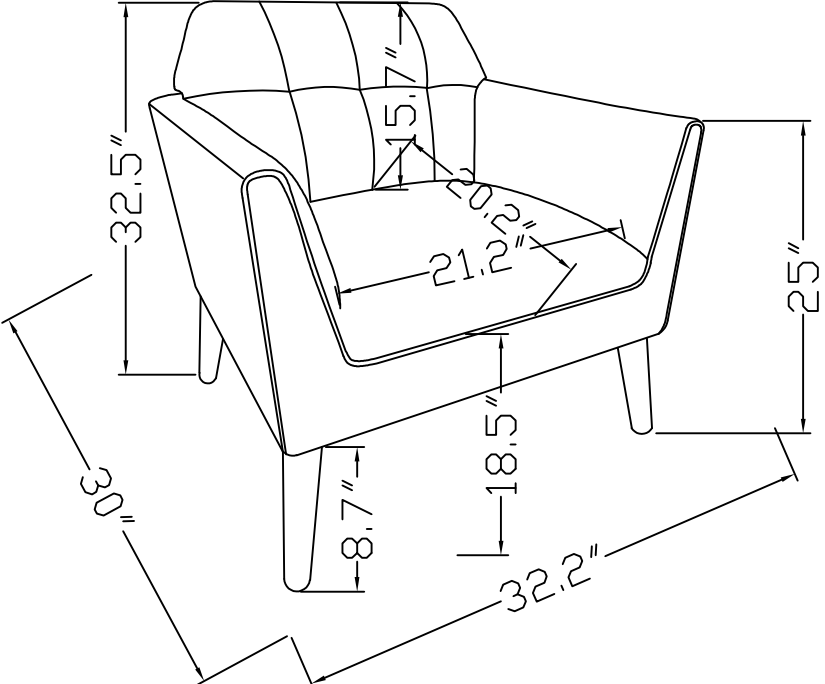




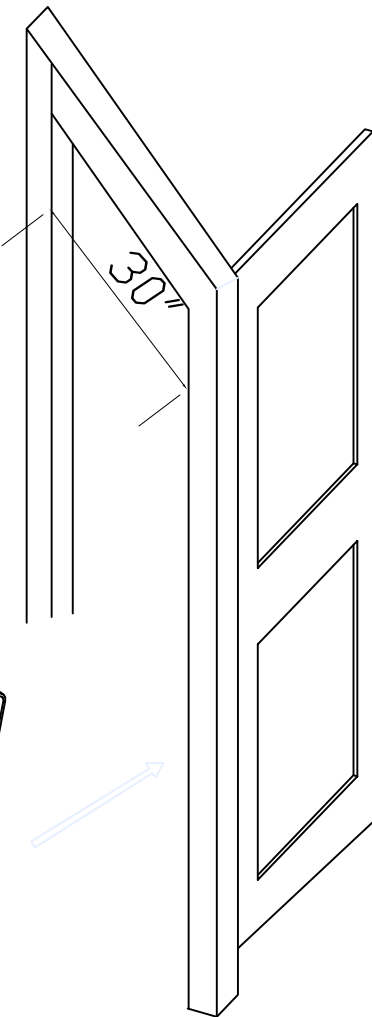
Step 3: Assembly is complete.



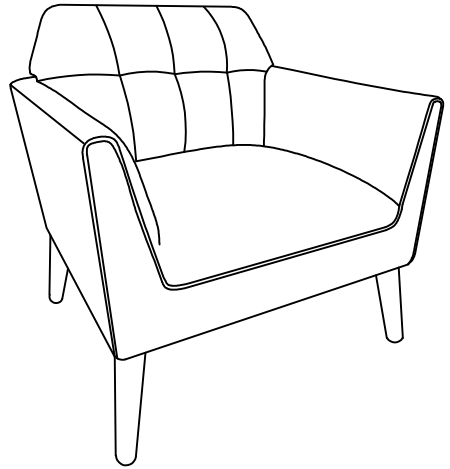
0063



*Rotate Chair
fit through
the door



Minimum
Doorframe
Width30"



Seat cushion
Seat Capacity : 330Lbs

Warnings

1. Please check if the components of the chair are all included and can be used normally.
2. Assemble all components according to the instruction correctly.
3. Please DO NOT sit on the armrests and footrest to eliminate the risk of tipping over.
4. If the sofa is damaged or doesn't match the website description, please send clear pictures of the product and label of the carton to our service team for further help.
5. If the chair still doesn't assembly, please feed the information back to our customer service in time and we'll help you solve the matter as soon as possible.
6. If you have any questions with the product, please contact us by:

Email: customerservice@zoy-living.com(we will reply to you within 24 hours)

