

ASSEMBLY INSTRUCTIONS



POWER LIFT MASSAGE CHAIR

ASSEMBLY INSTRUCTIONS

ASSEMBLY TIPS:

1. Remove hardware from box and sort by size.
2. Please check to see that all hardware and parts are present prior to start of assembly.
3. Please follow attached instructions in the same sequence as numbered to assure fast & easy assembly.



WARNING!

1. Don't attempt to repair or modify parts that are broken or defective. Please contact the store immediately.
2. This product is for home use only and not intended for commercial establishments.

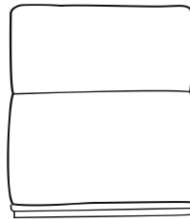


ASSEMBLY TIME

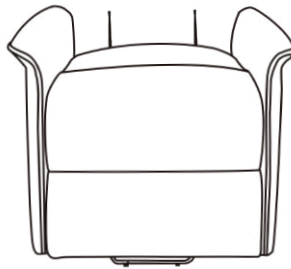
5 MINUTES

PARTS IDENTIFICATION

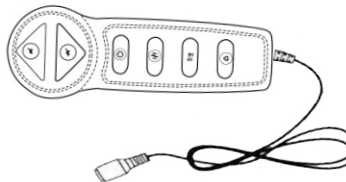
A BACKREST 1PC



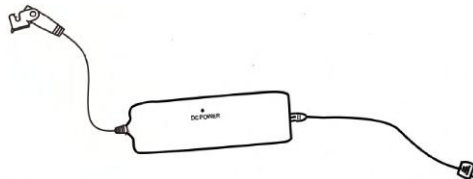
B CHAIR BASE 1PC



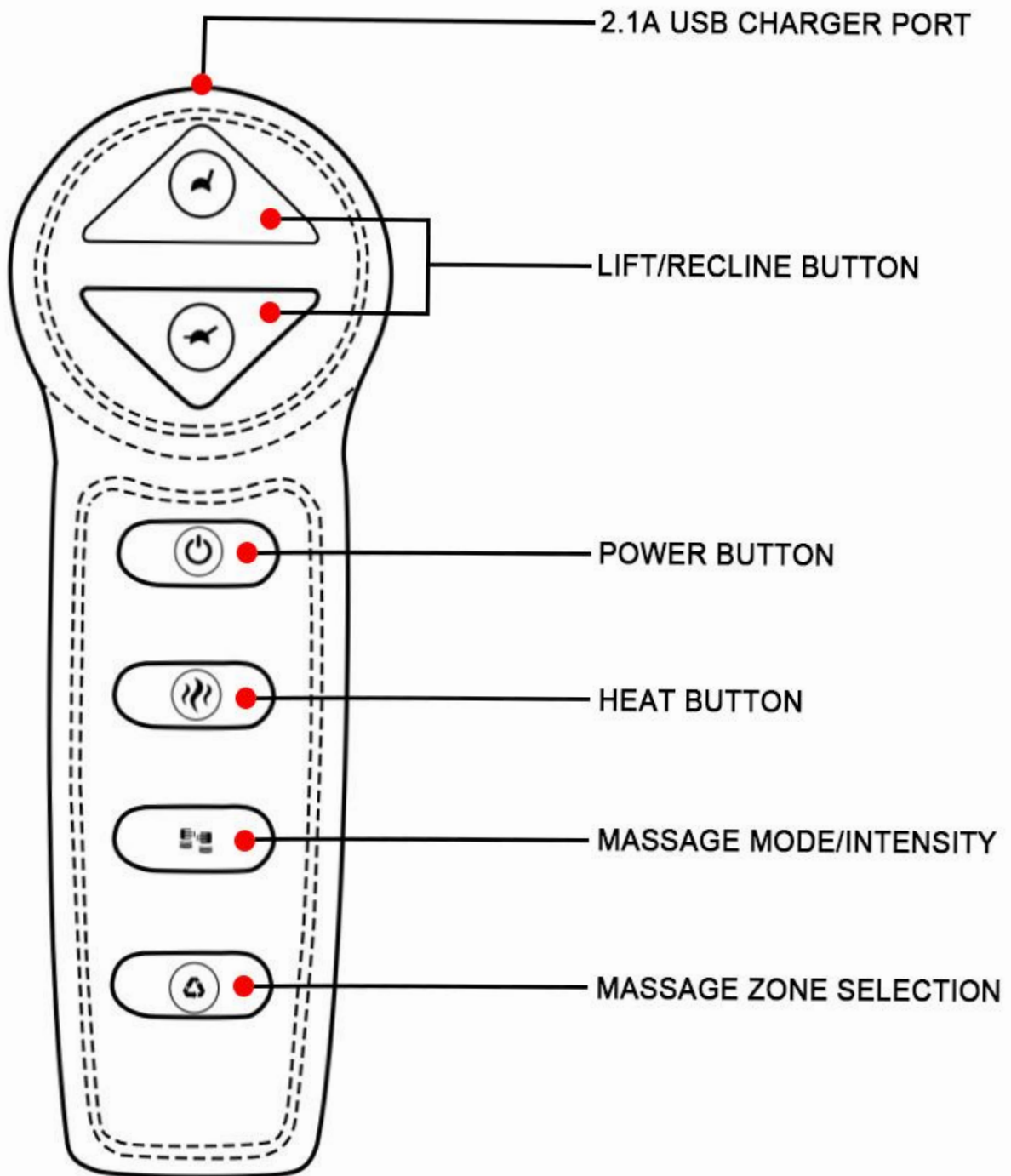
C REMOTE 1PC



D POWER SOURCE 1PC



REMOTE INSTRUCTIONS

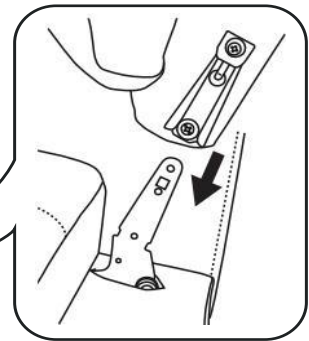
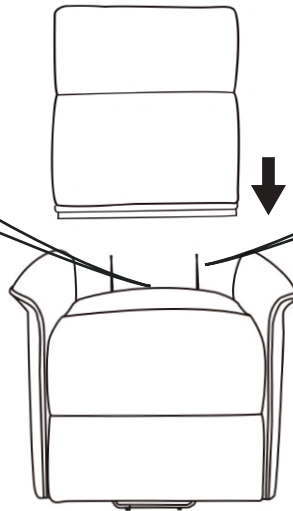


Please turn off all functions before unplugging.

ASSEMBLY INSTRUCTIONS

STEP 1

STICK THE
VELCRO OF
BACK
AND SEAT
TOGETHER

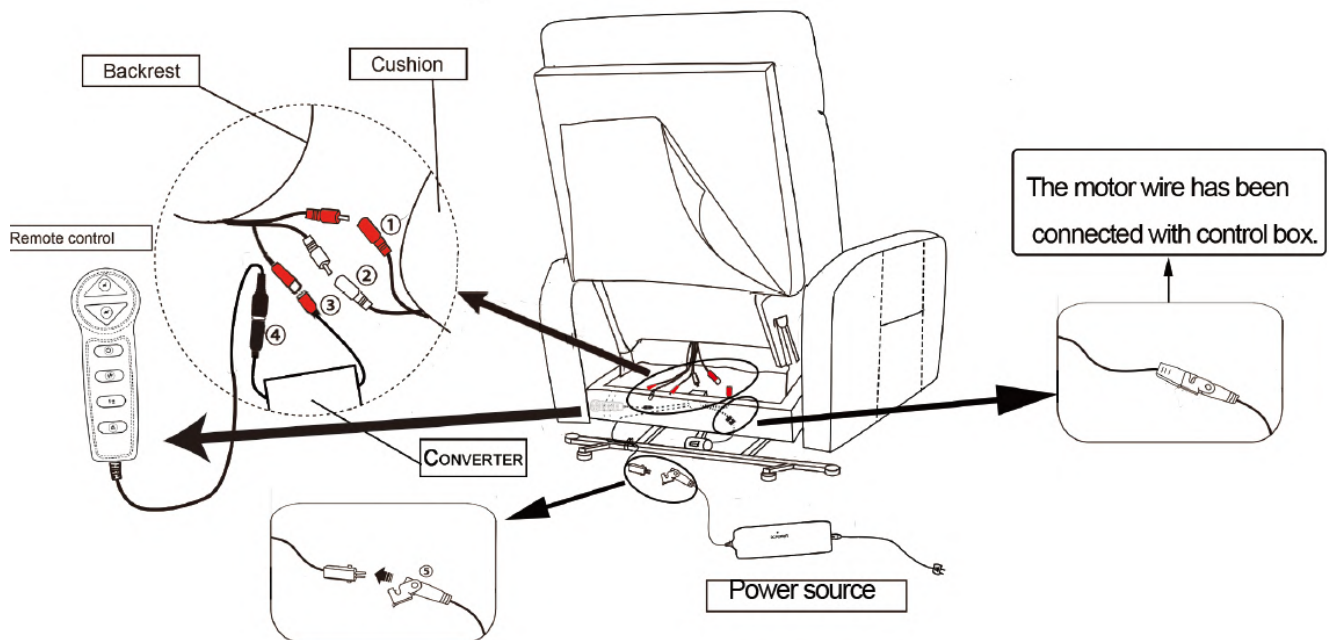


STEP 2

No.1 and No.2 wire connect with the backrest and chair base.
No.3 wire connects with backrest and converter.
No.4 wire connects with converter and remote control.
No.5 wire connects with converter and power source.

NOTE

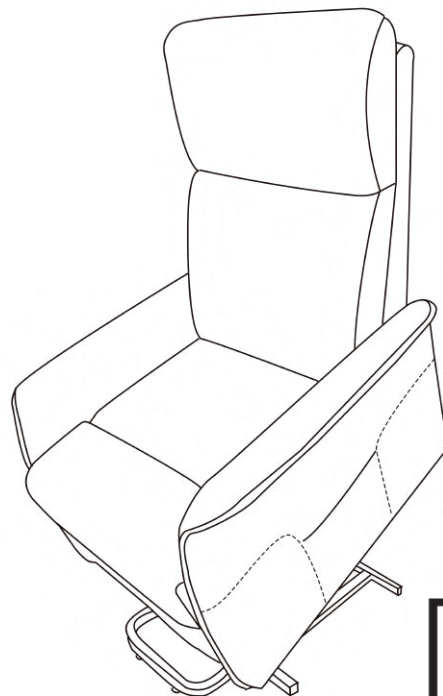
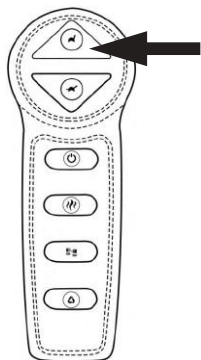
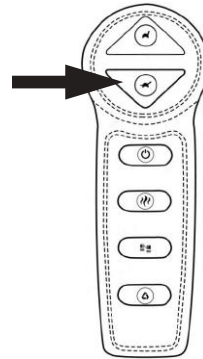
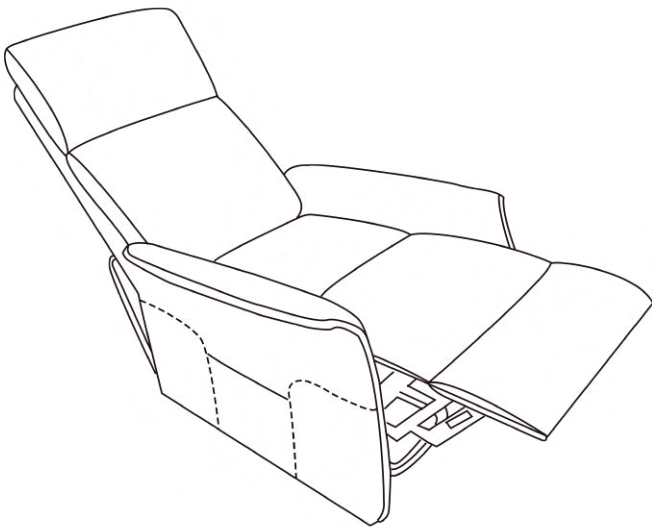
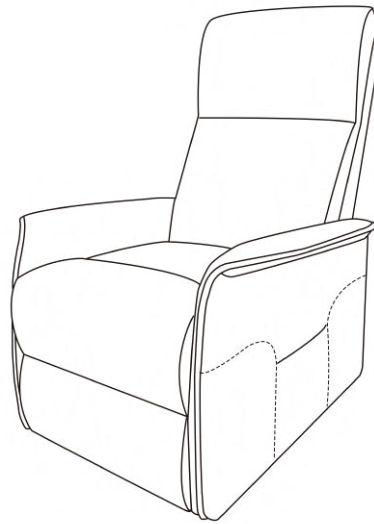
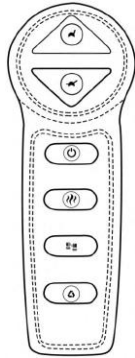
- 1: Two same color wires connect.
- 2: Plug power cord and power source into outlet, then you can use all function.

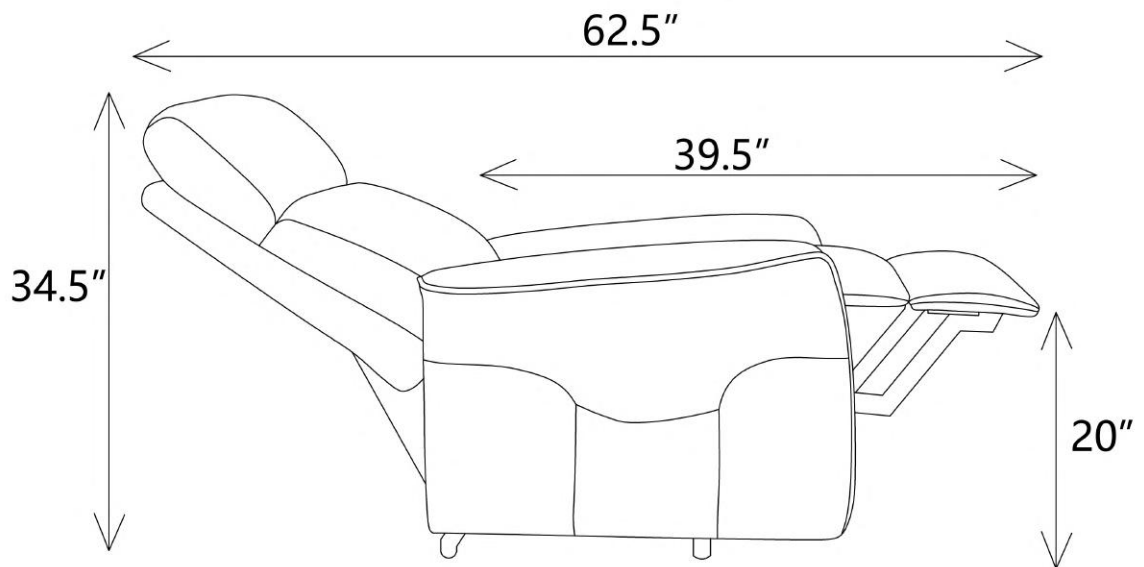
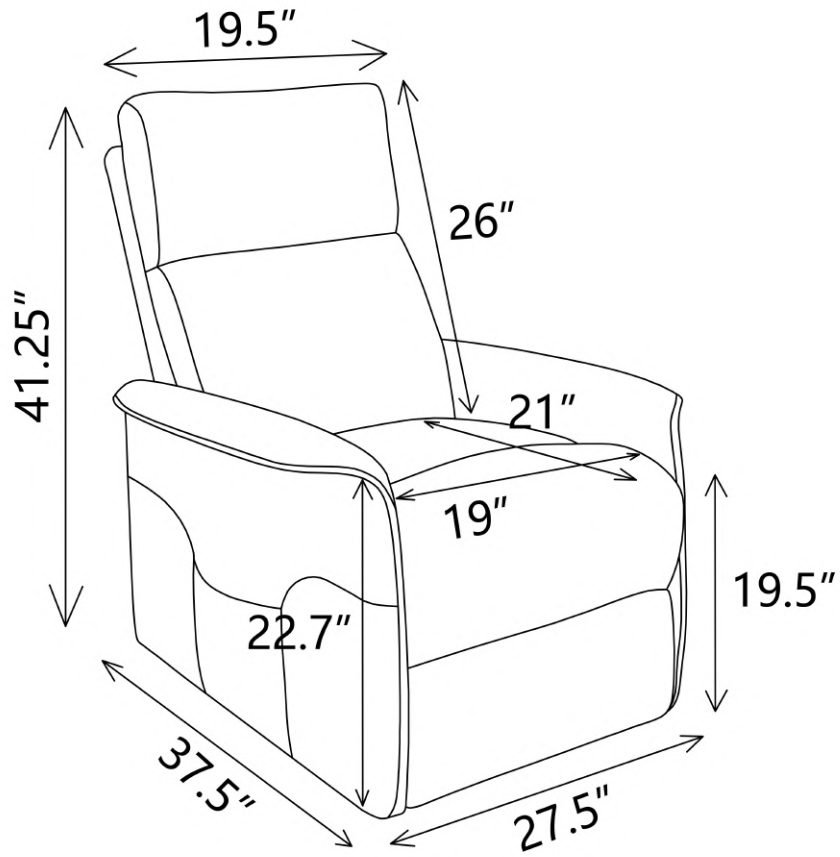


Note: The remote is tied on the back of chair,
The remote wire has been connected, please cut the cable tie to take out the remote.

ASSEMBLY INSTRUCTIONS

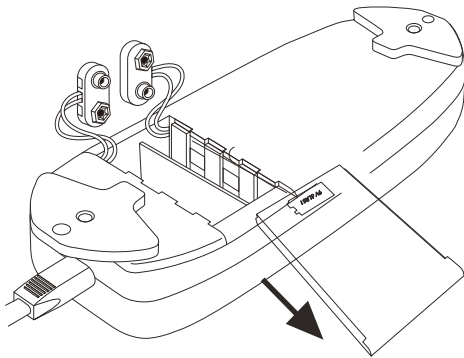
STEP 3





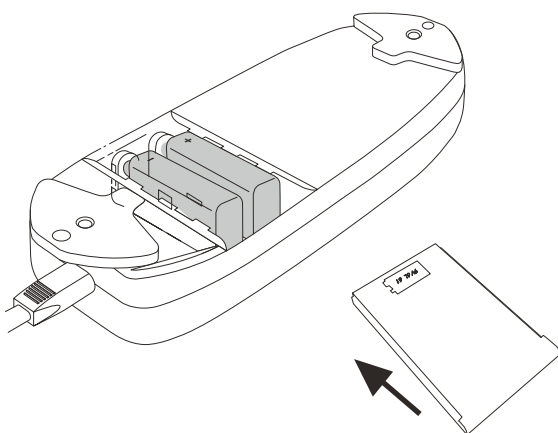
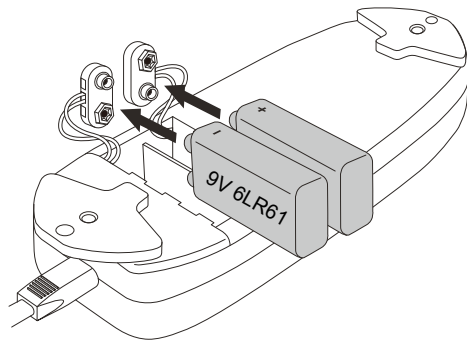
Note : Dimension tolerance $\pm 5\%$

Please follow these steps to install the 9V alkaline batteries: 9V Alkaline Battery (Model# 6LR61)



Step 1. Unplug the external transformer power cord from the electrical outlet. And open the marked battery door on the external transformer.

Step 2. Install two 9V batteries alkaline (Model# 6LR61) in the external transformer (fig. 1.1).
(batteries are not include)



Step 3. Replace the battery door.