

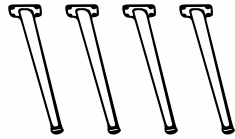
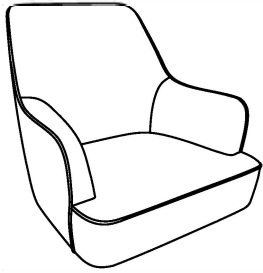
ASSEMBLY INSTRUCTIONS CHAIR

DIMENSION:W27.5" x D31.5" x H 35.8"

PART LIST

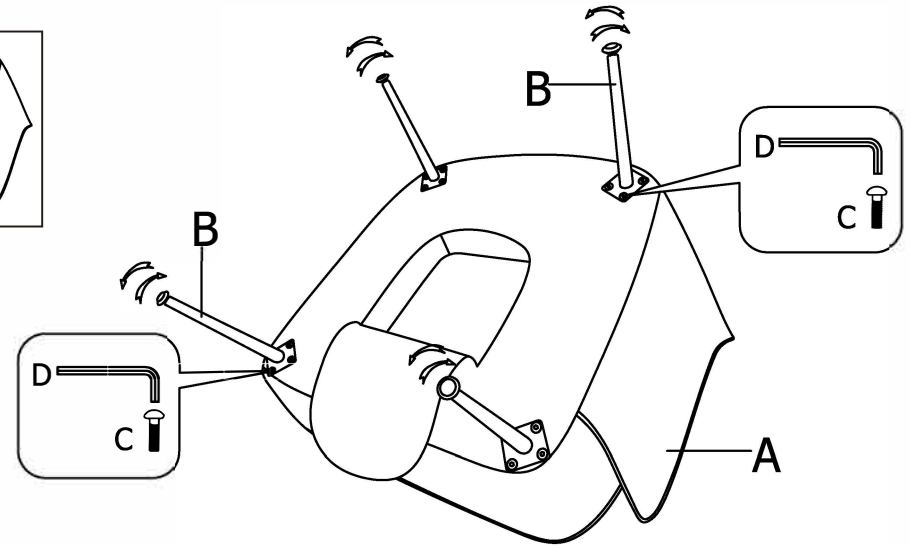
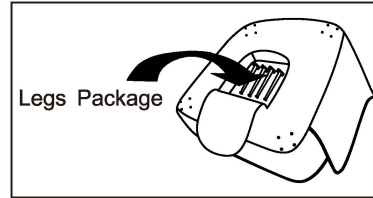
(A) Seat-(1pc)

(B) Legs-(4pcs)
(put inside seat cushion)



STEP 1

NOTICE



Step1:Put the screws in the holes,tighten all the screws to 100%.

HARDWARE LIST

STEP 2

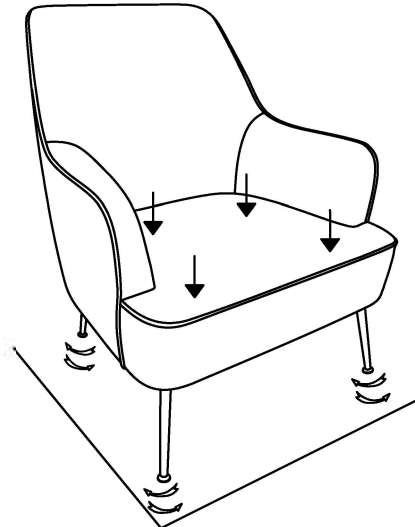
(C) Screw-(16pcs)

(D) Alley key-(1pc)



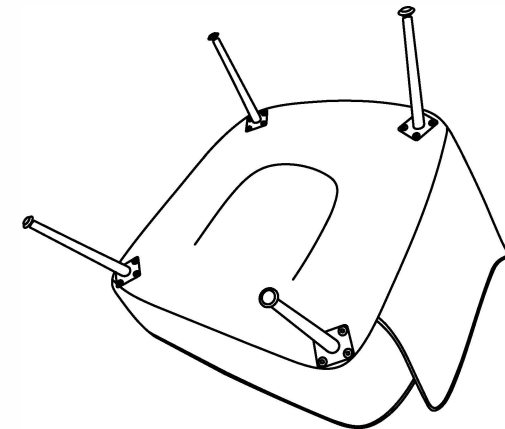
M6X25MM

M6



Step 2: Then adjust the leveller on the legs so that the chair is stable.

STEP 3



Step3 :Finally,stick the non-woven cover underneath the seat.