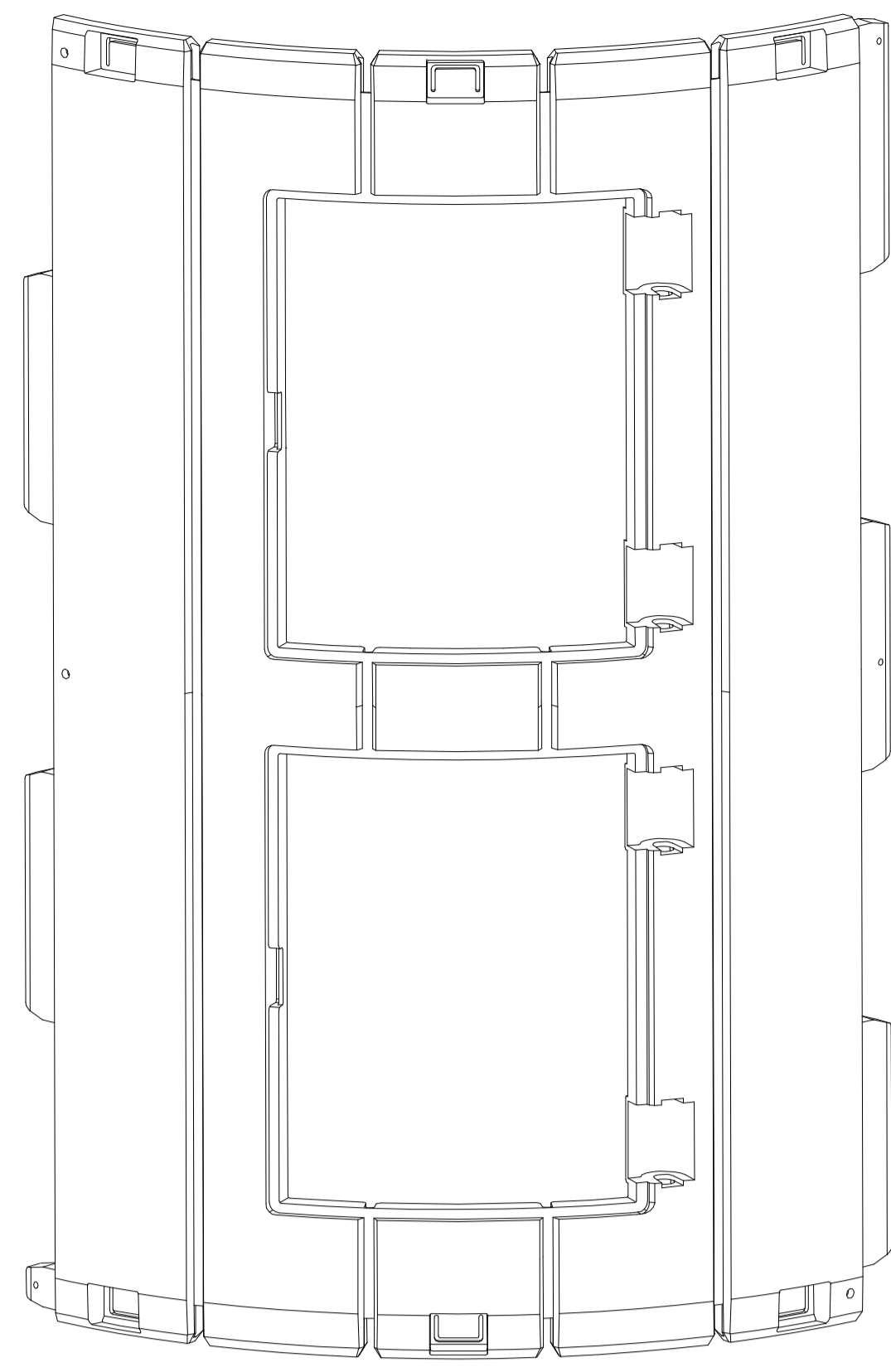
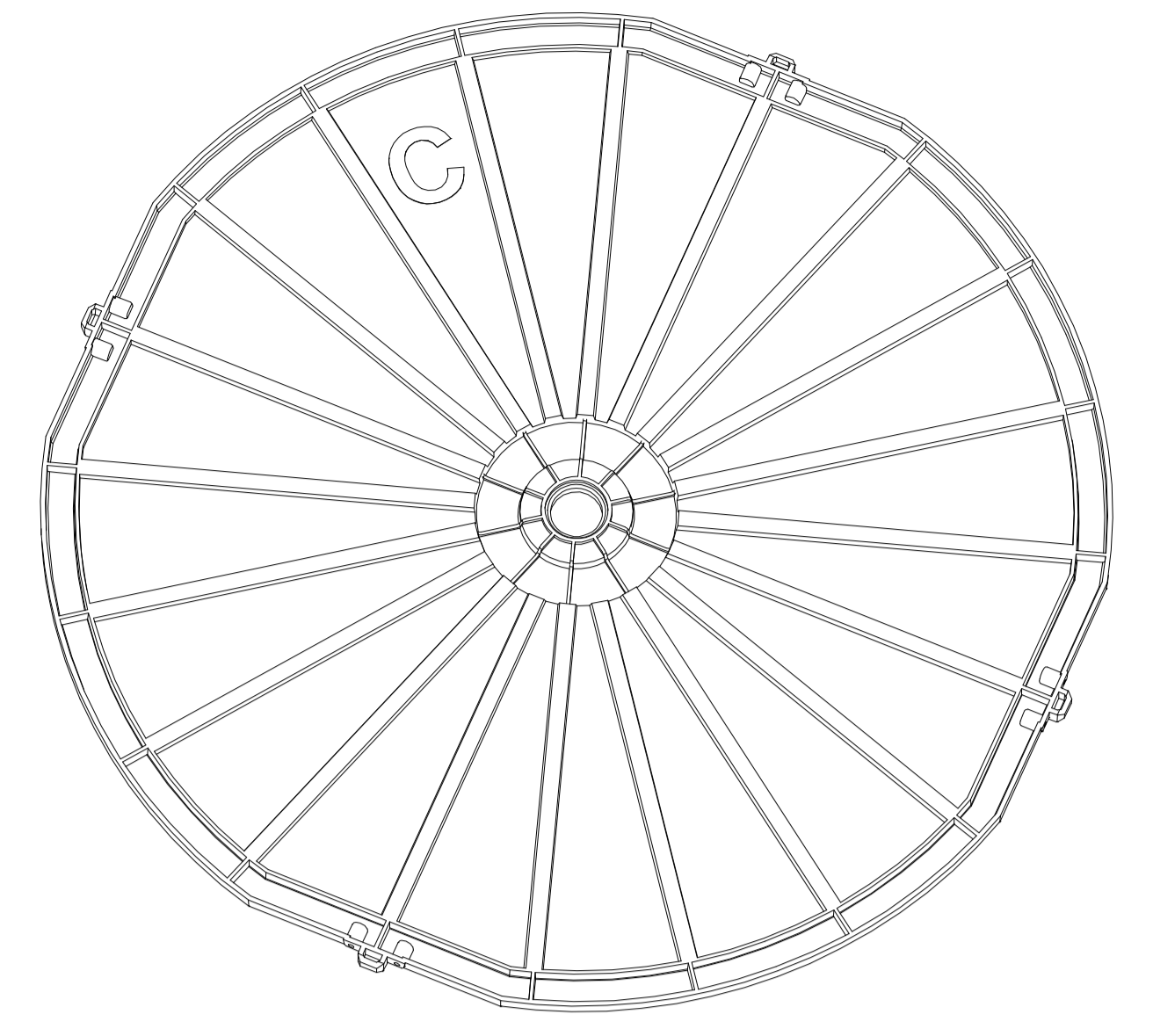


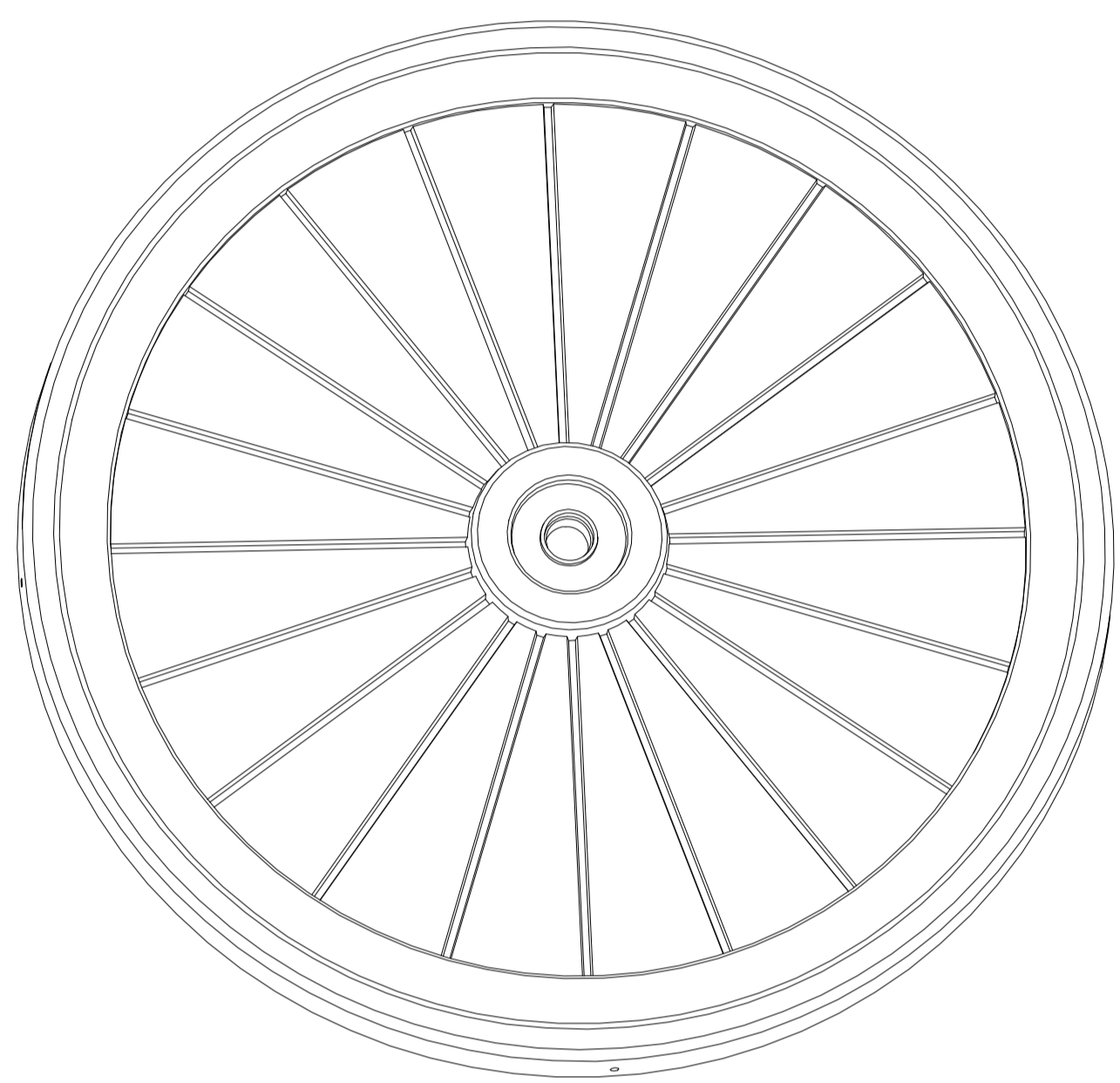
A(X3)



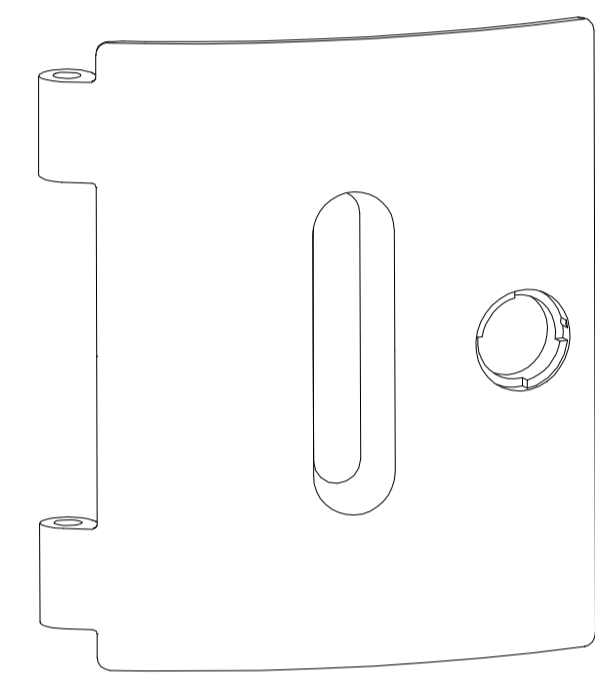
B(X1)



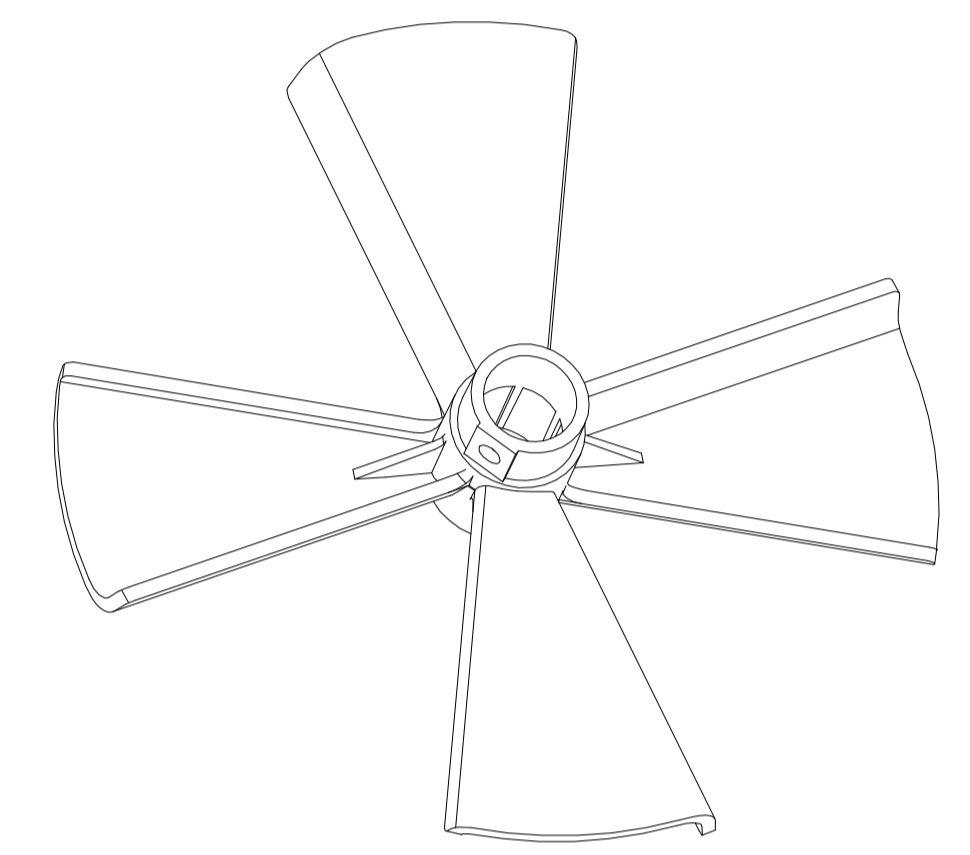
C(X1)



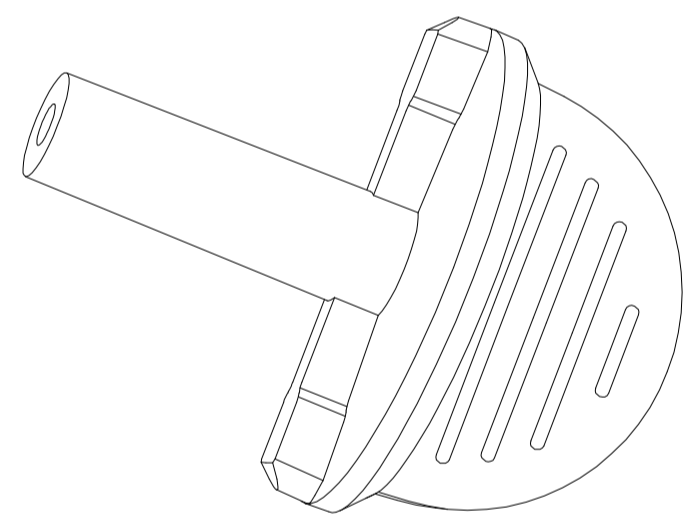
D(X2)



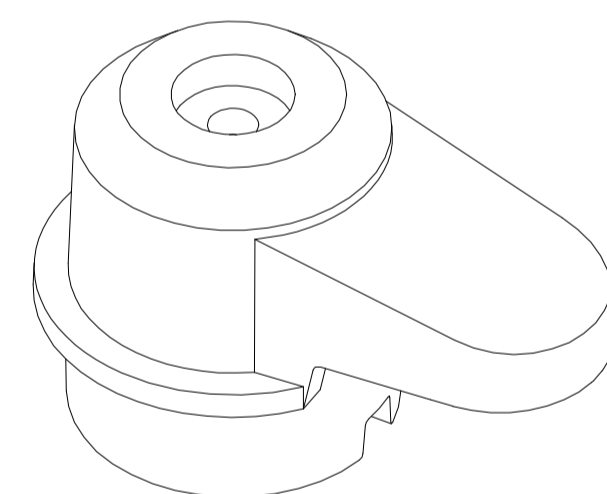
E(X2)



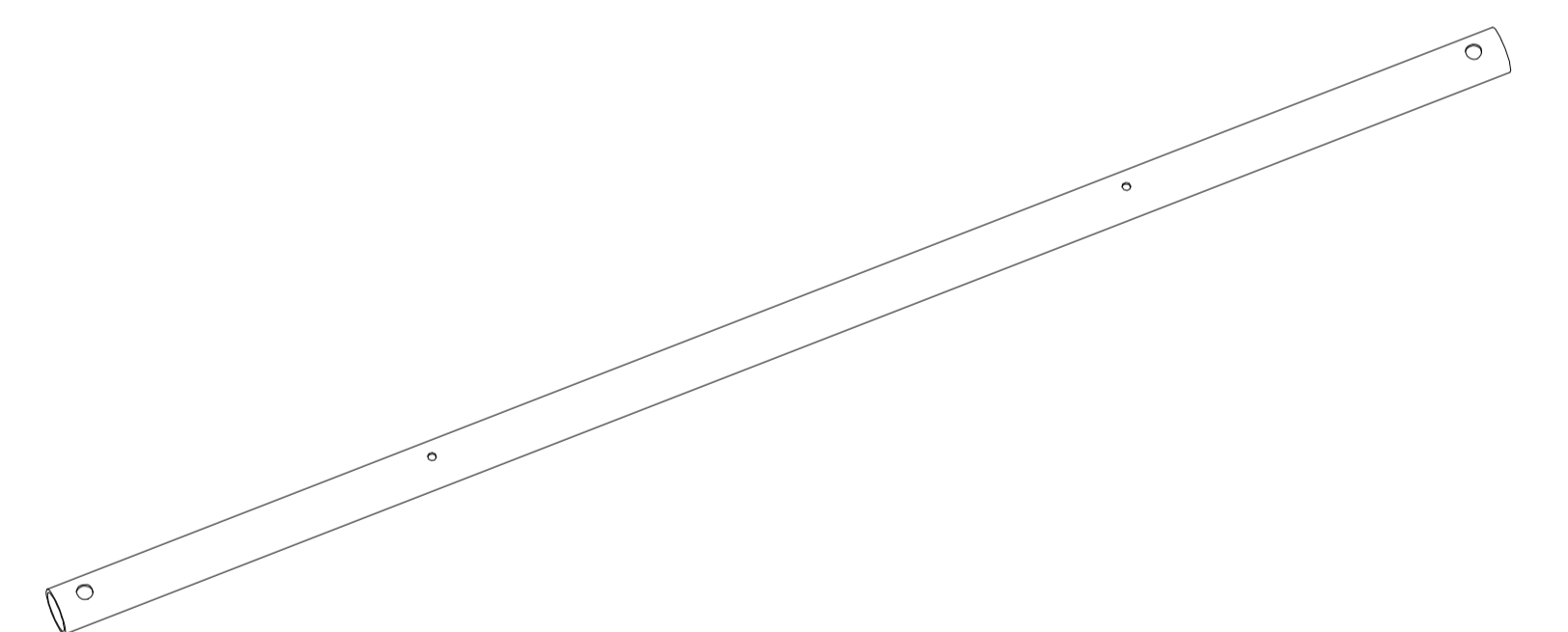
F(X2)



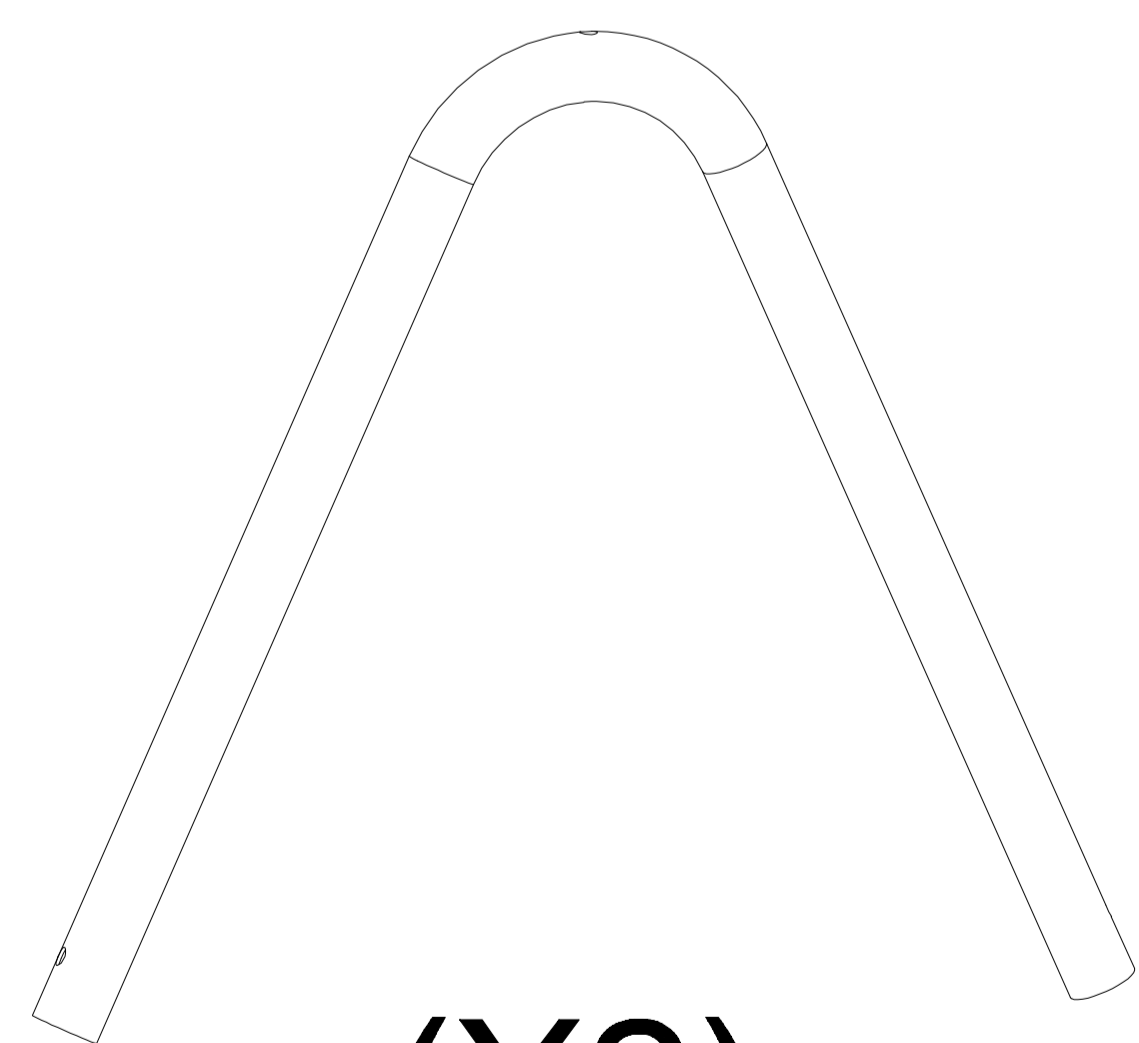
(X2)



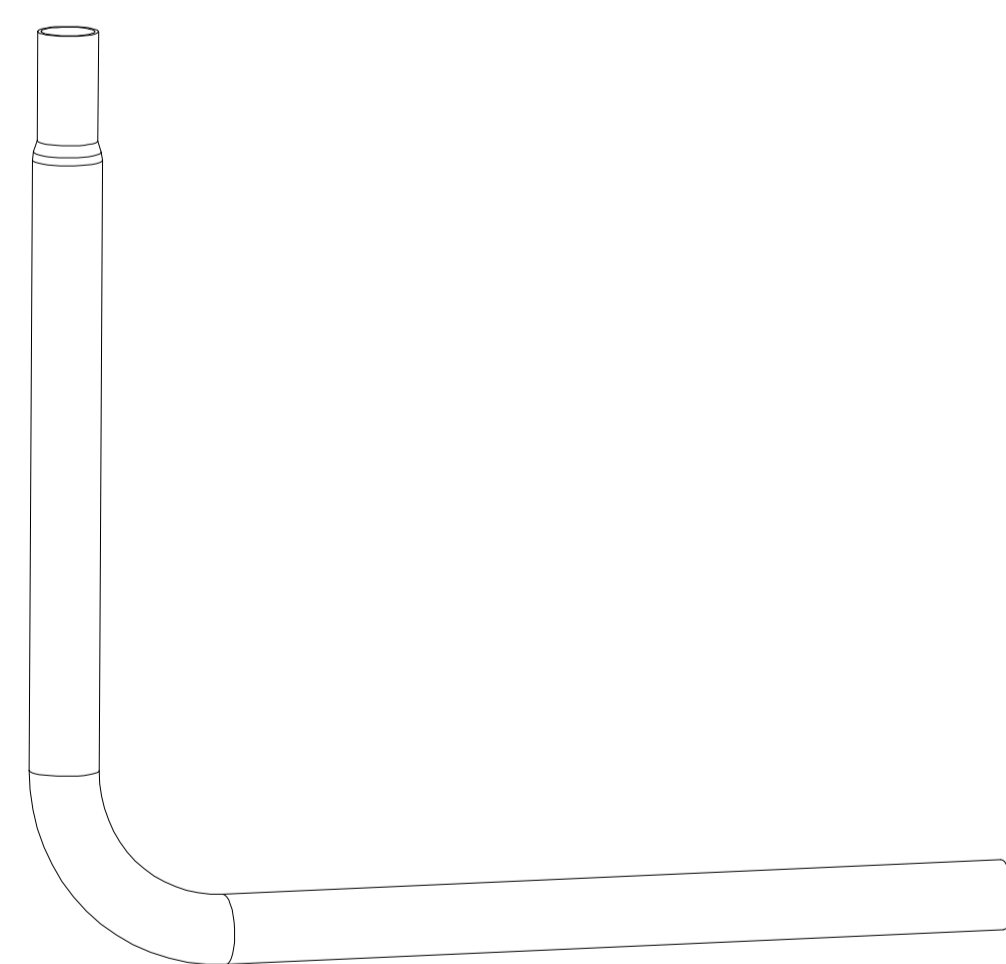
(X2)



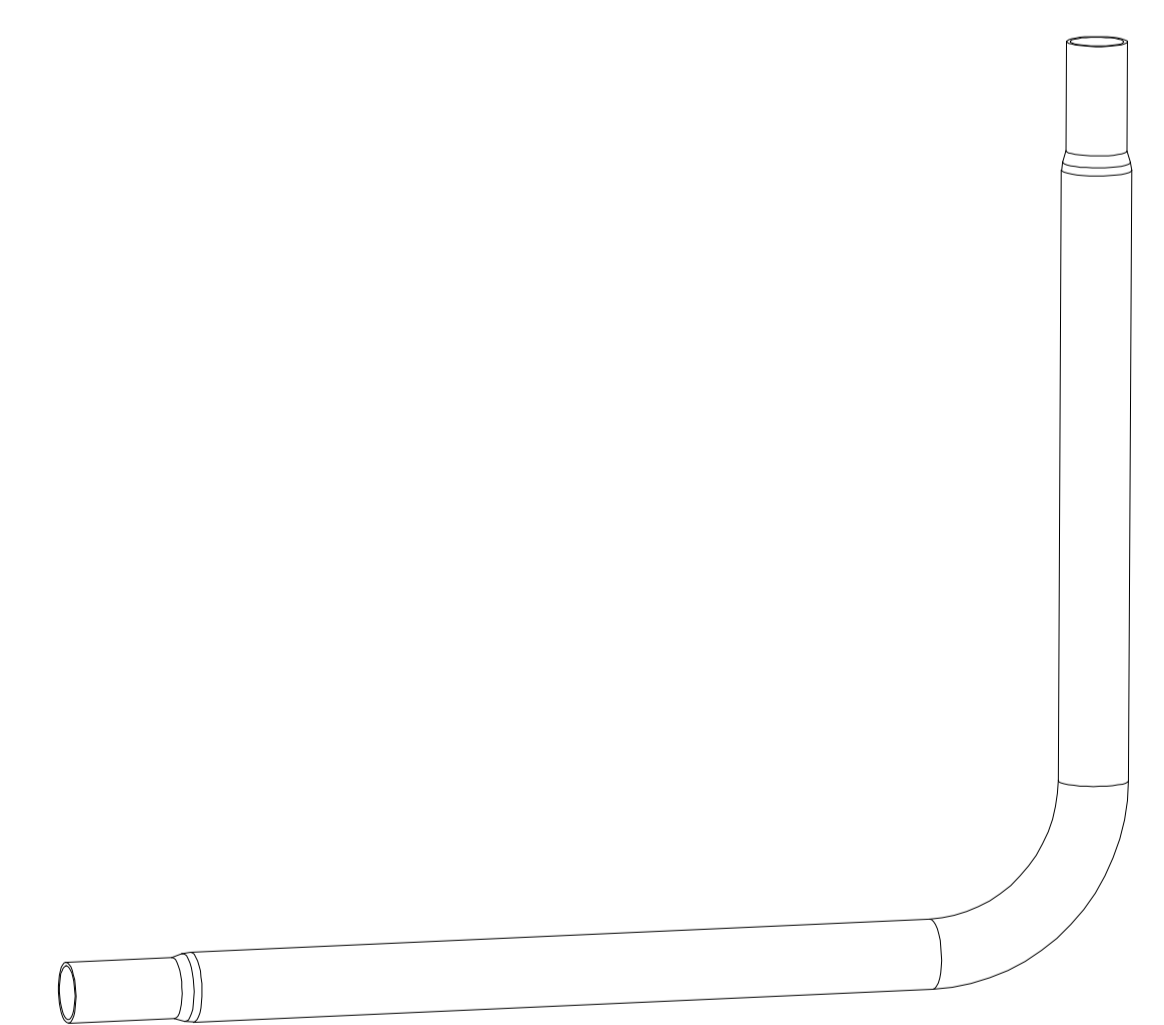
(X1)



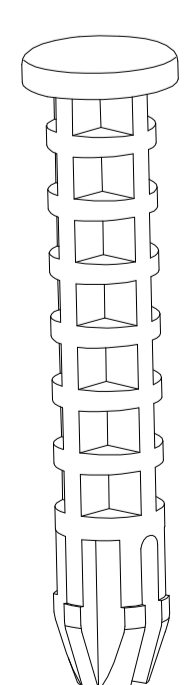
aa(X2)



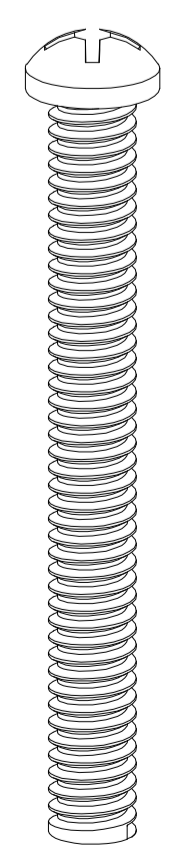
cc(X2)



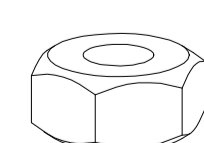
dd(X2)



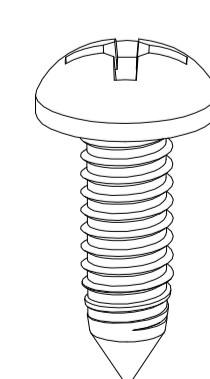
(X4)



(X2)

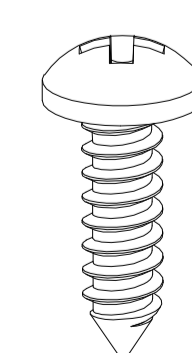


(X2)



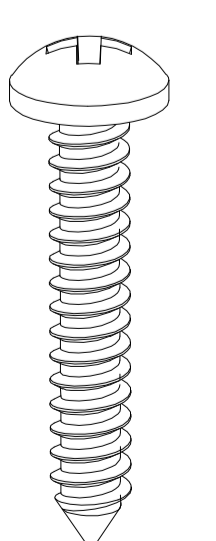
M5x10mm

(X2)



M4x13mm

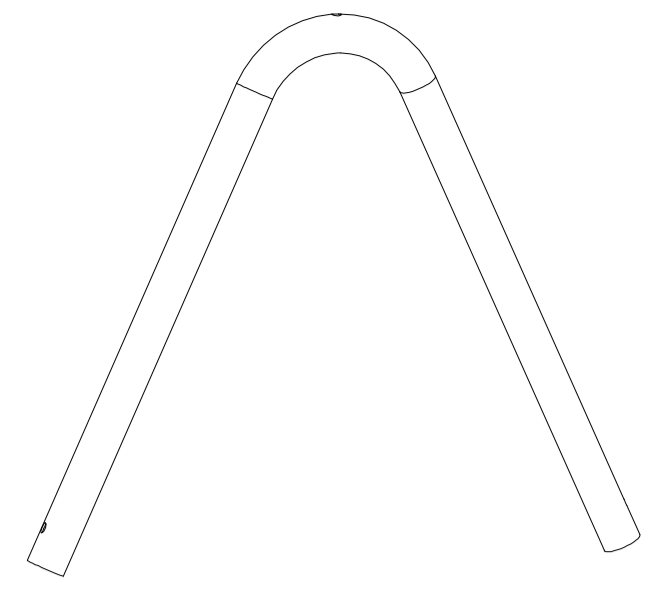
(X2)



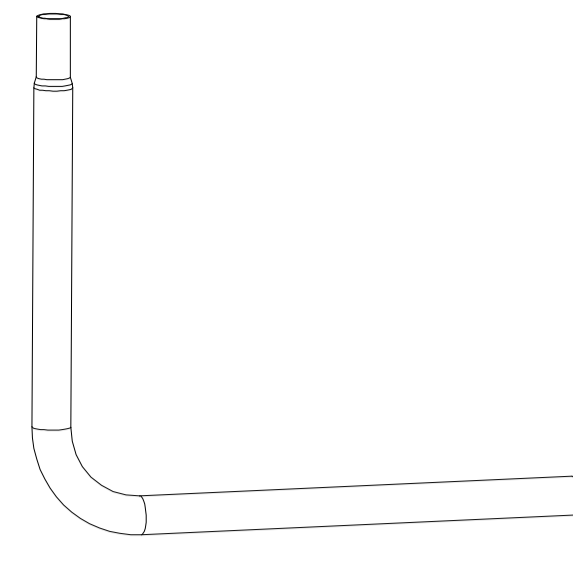
M4x19mm

(X12)

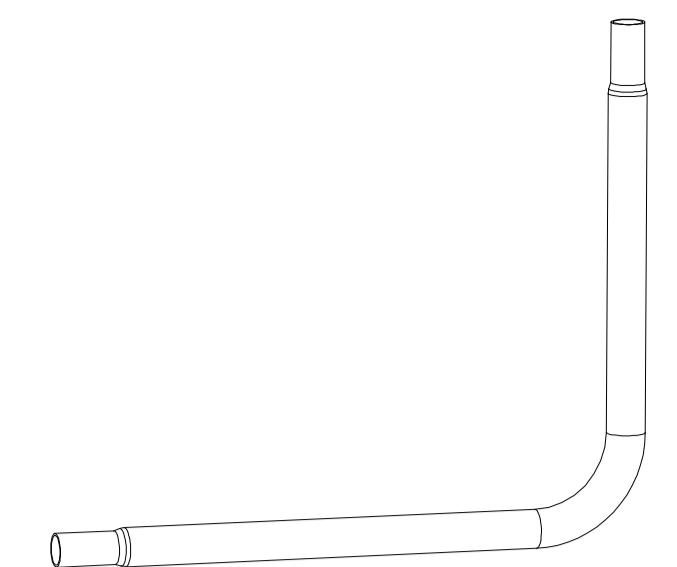
1



aa(X2)

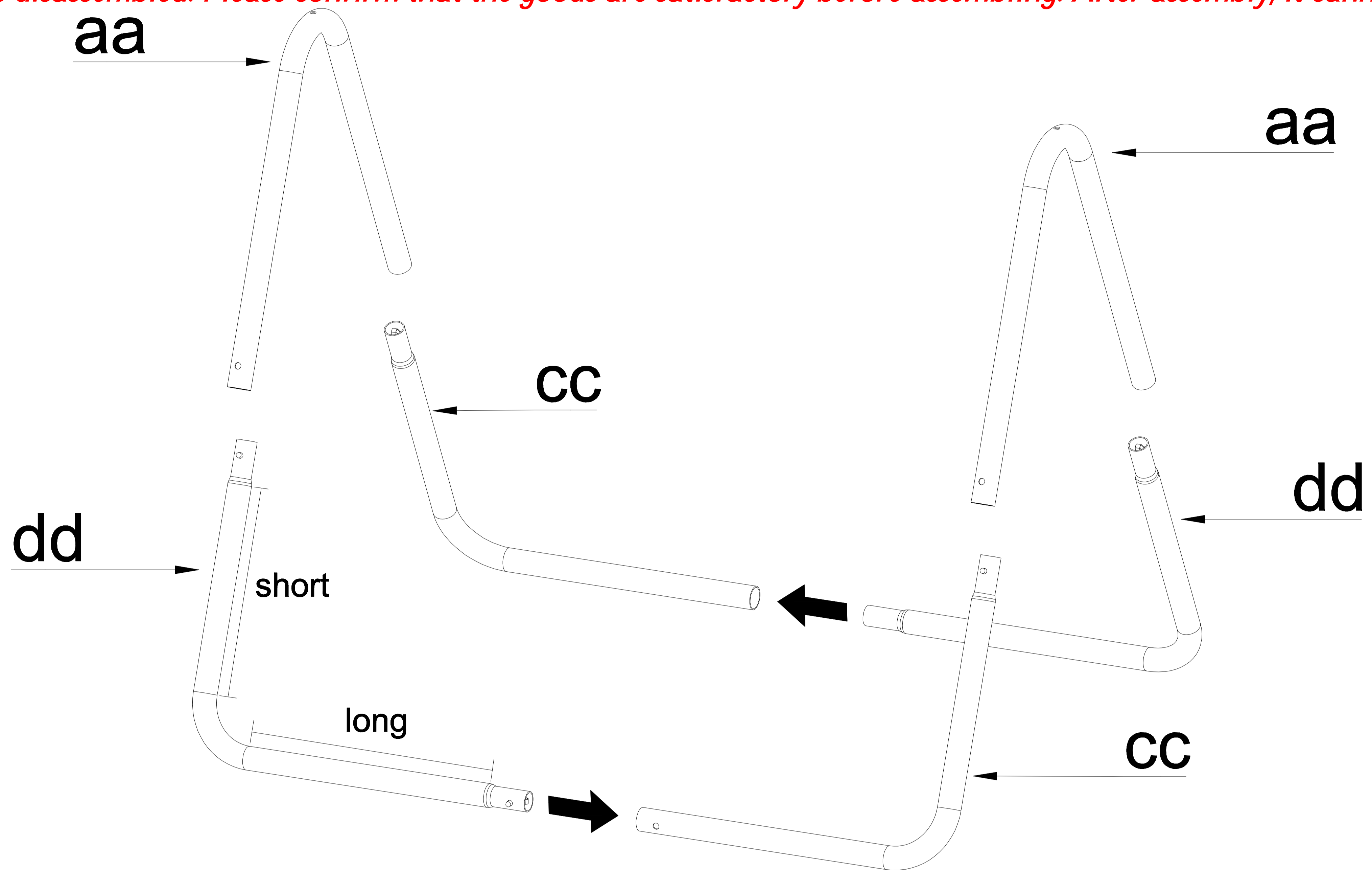


cc(X2)



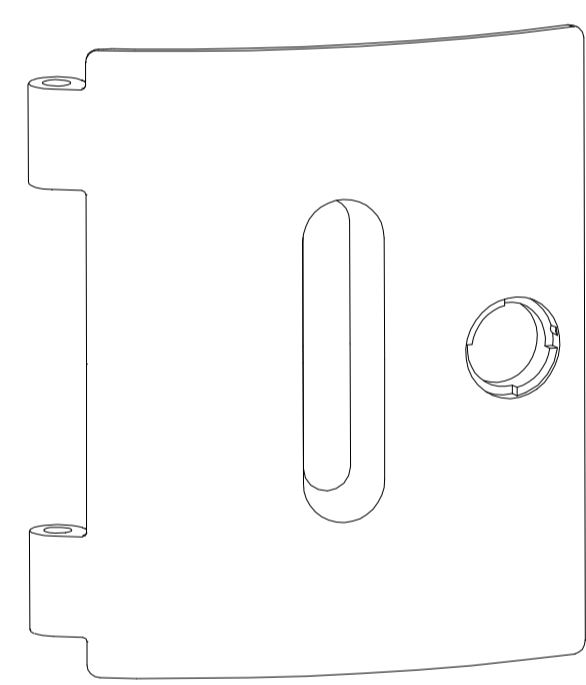
dd(X2)

*Please note: :
After assembly, it cannot be disassembled. Please confirm that the goods are satisfactory before assembling. After assembly, it cannot be returned*

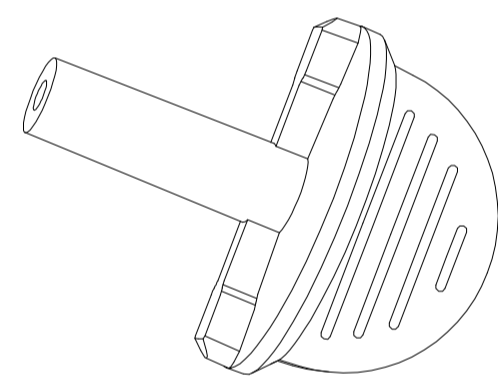


Two people collaborate on installation

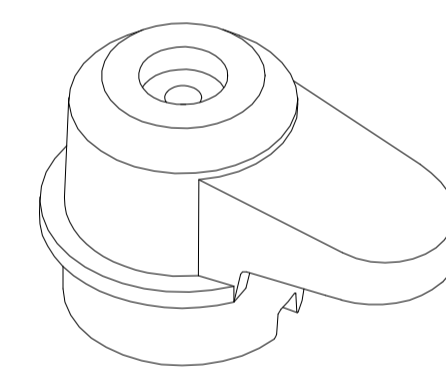
2



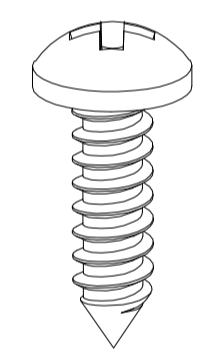
E(X2)



(X2)

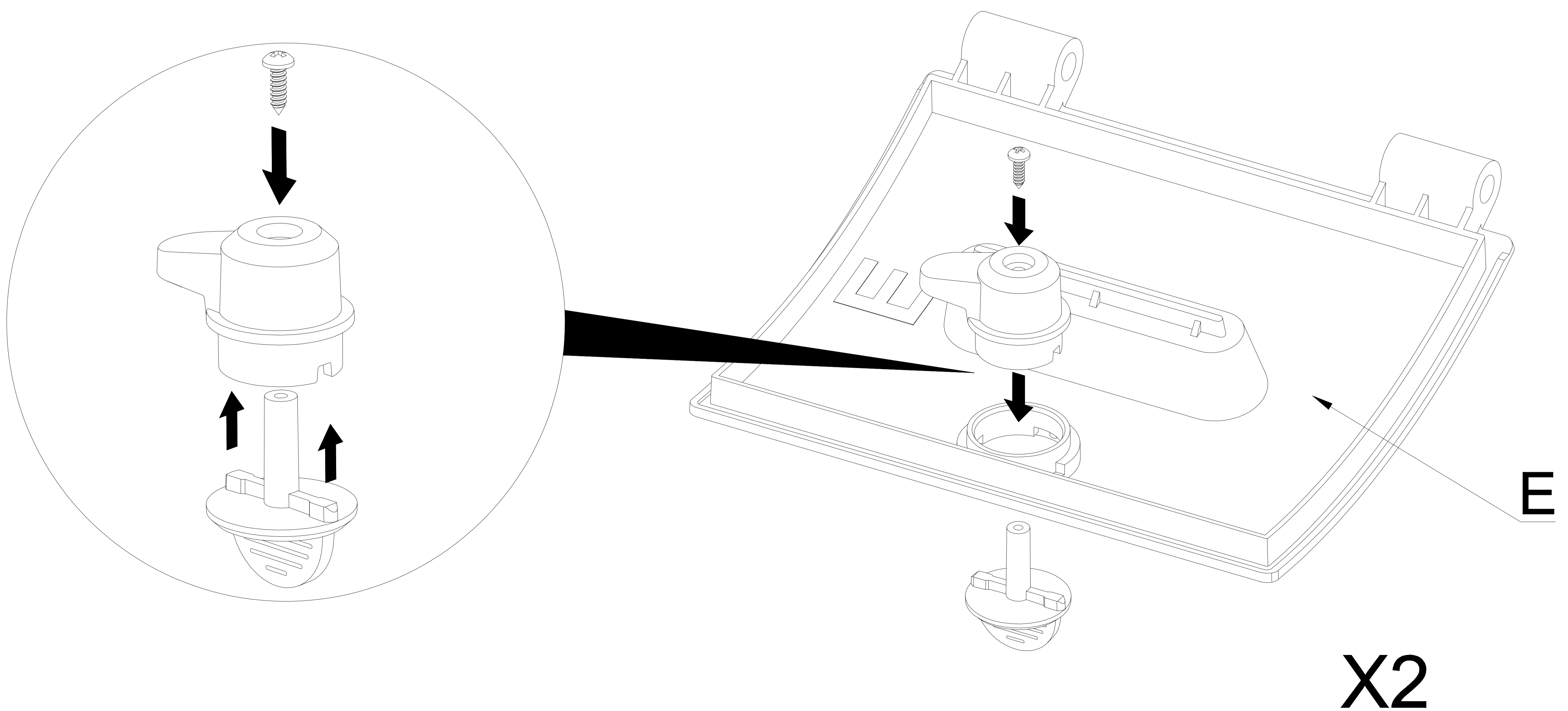


(X2)

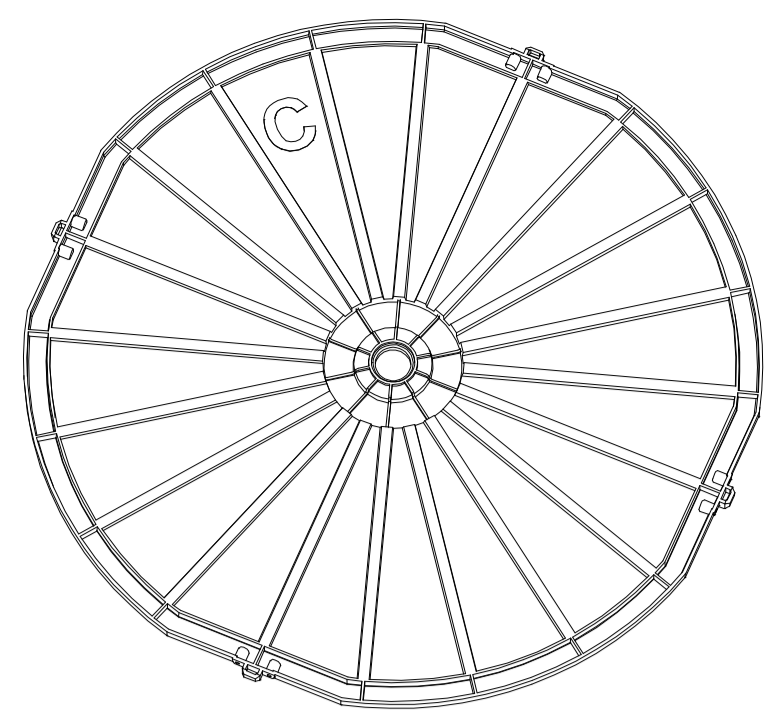


M4x13mm

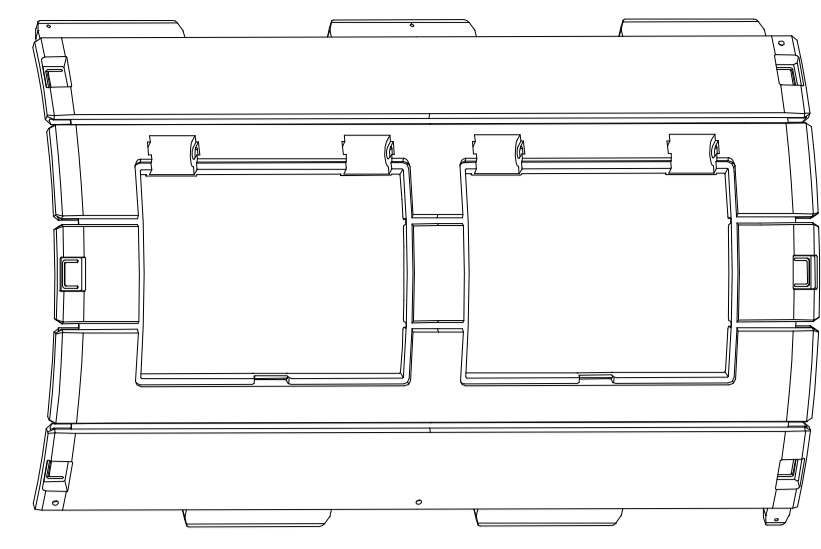
(X2)



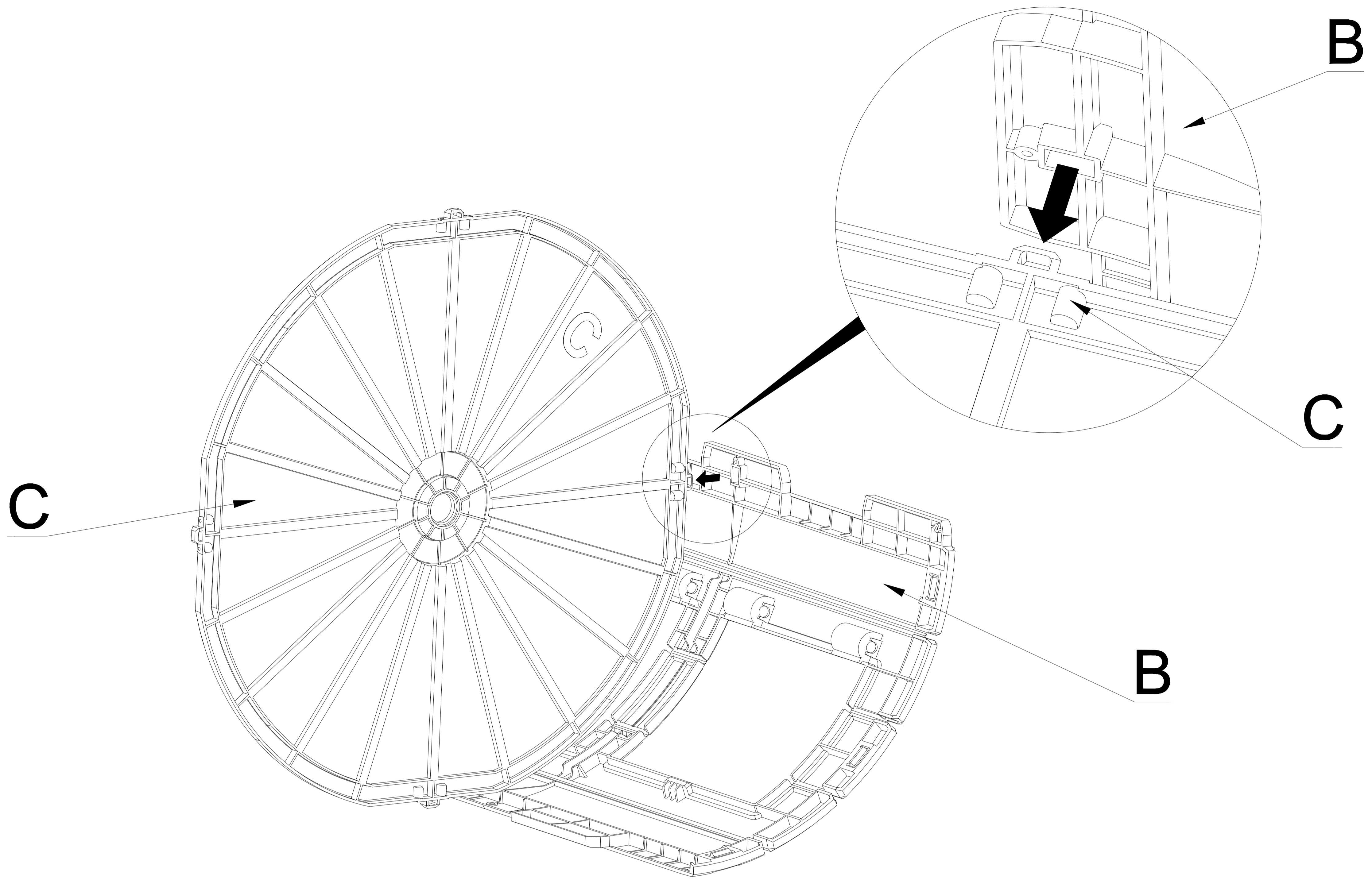
3



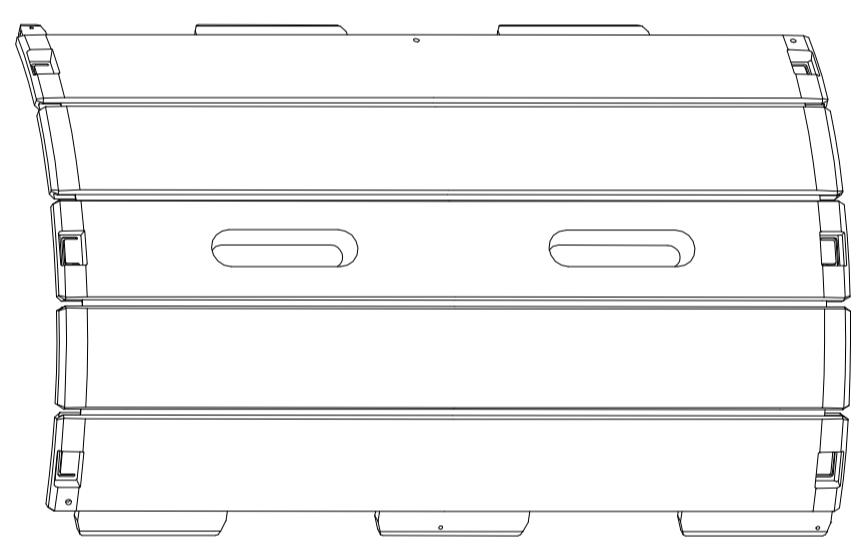
C(X1)



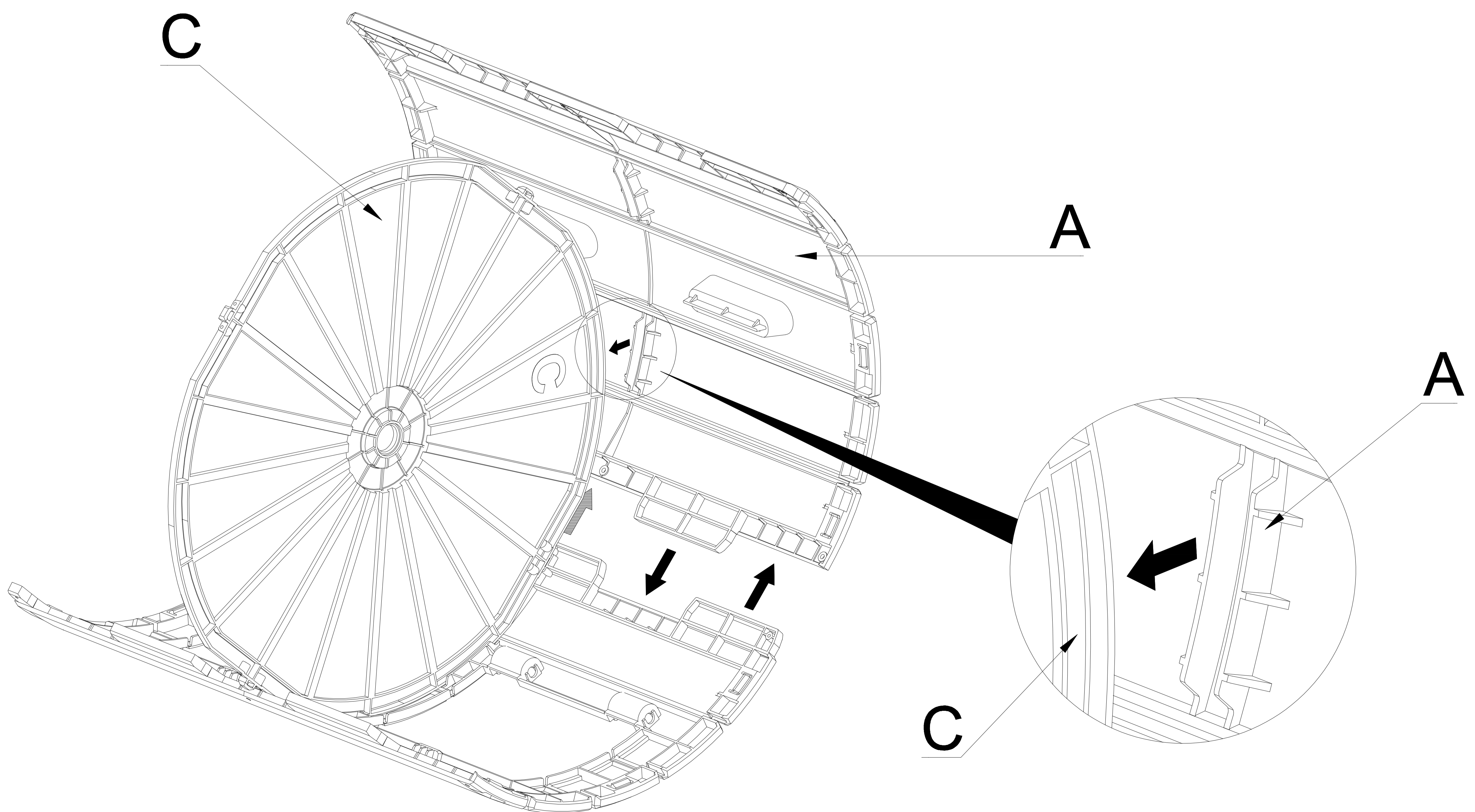
B(X1)



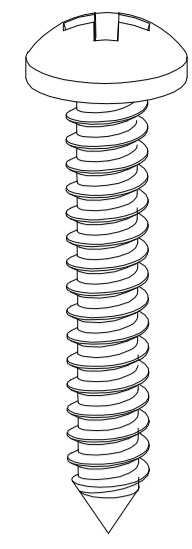
4



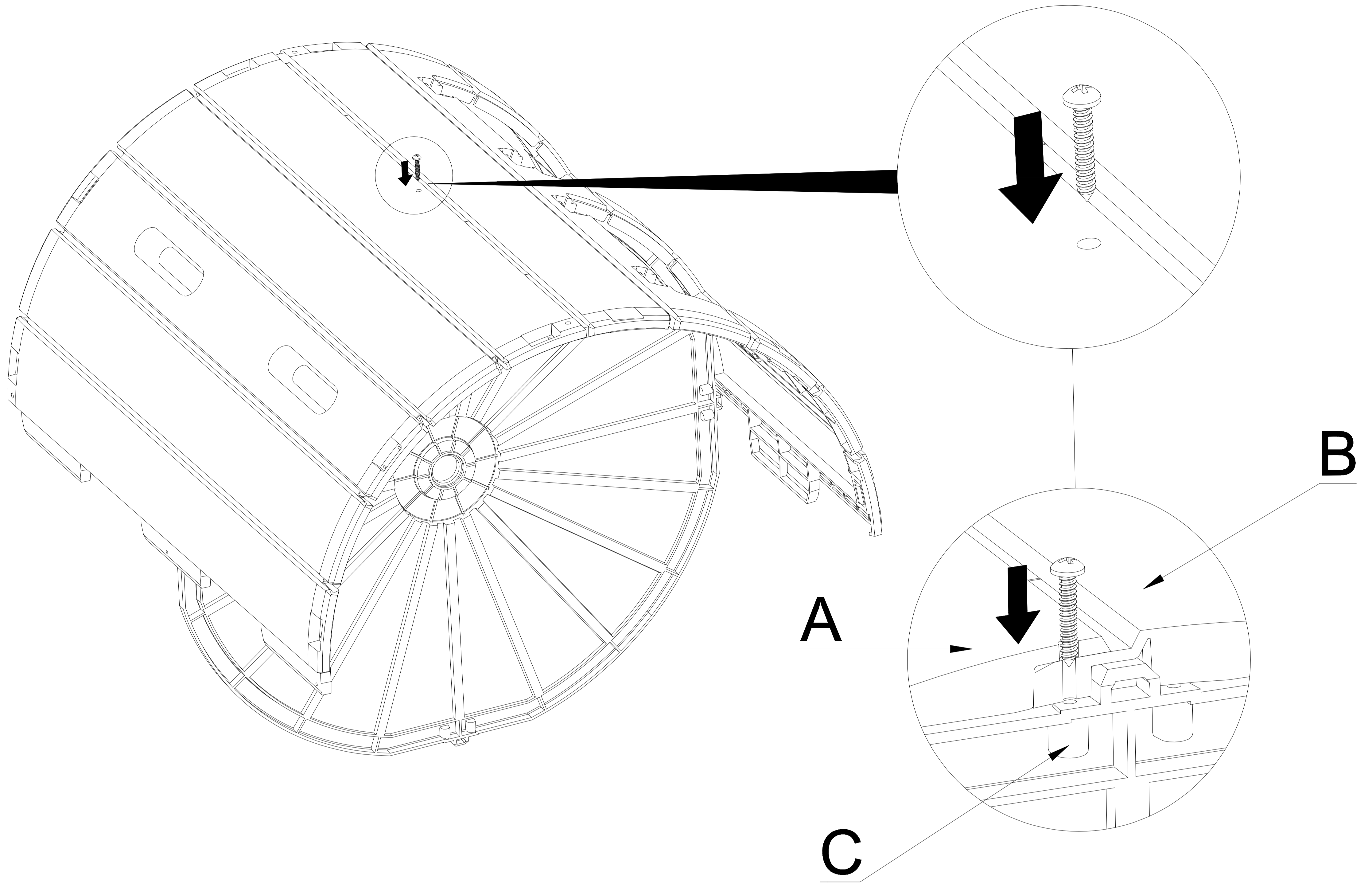
A(X1)



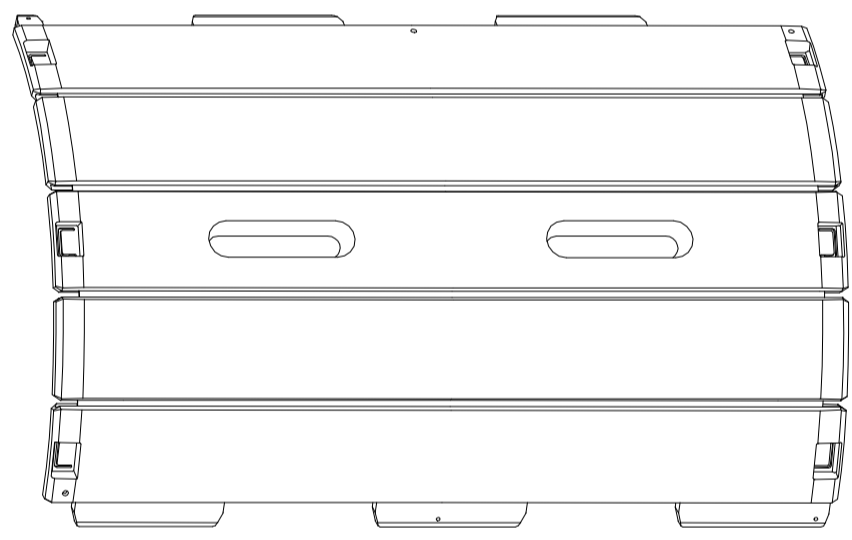
5



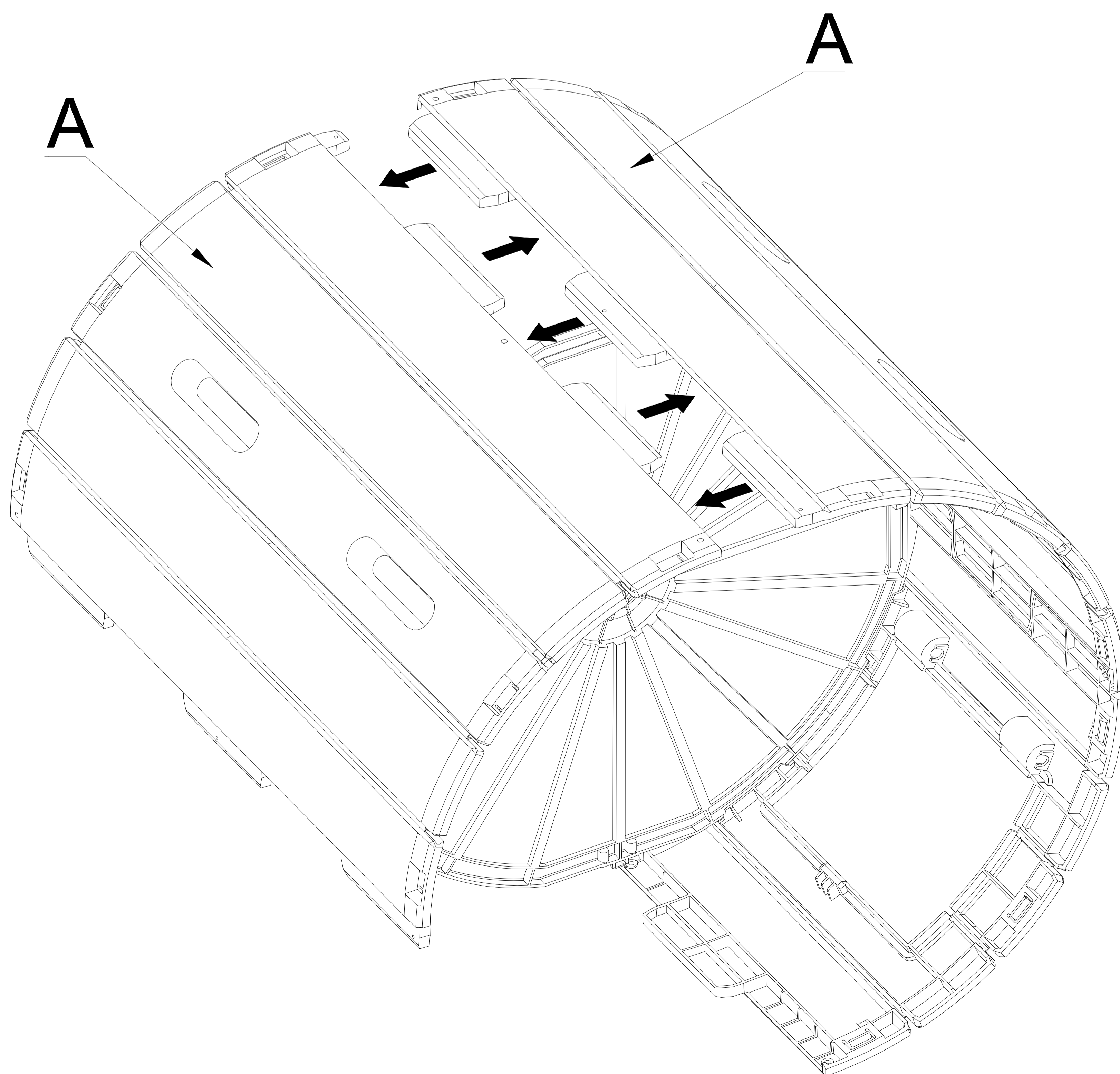
M4x19mm
(X1)



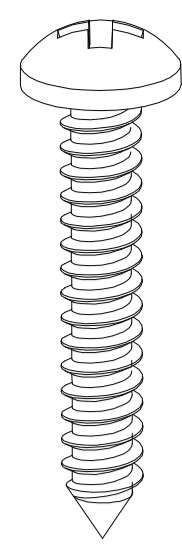
6



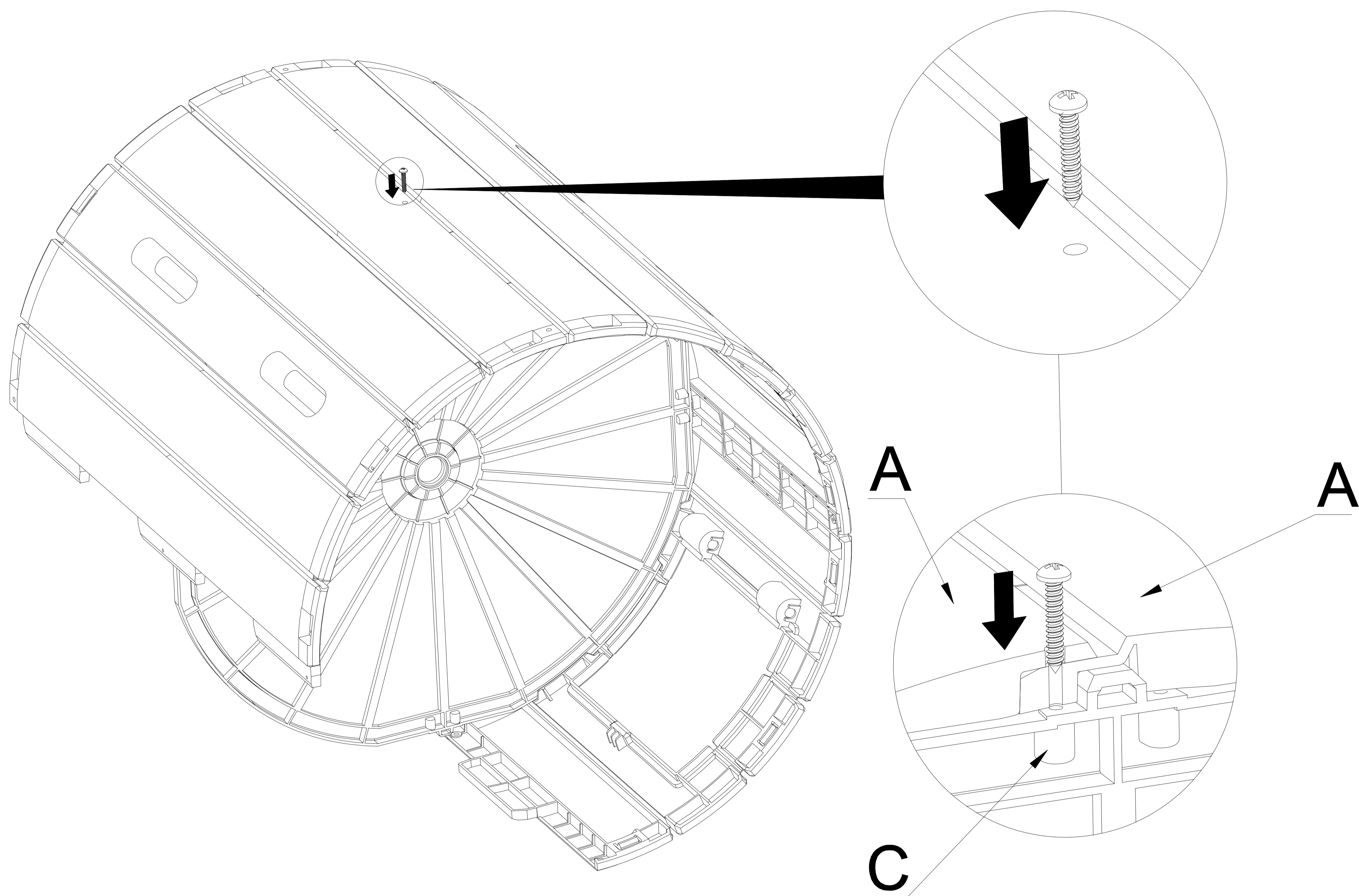
A(X1)



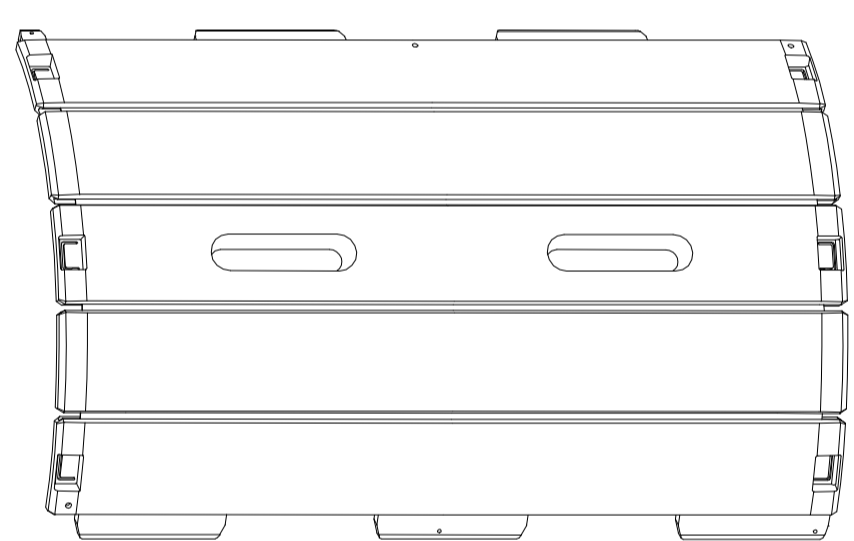
7



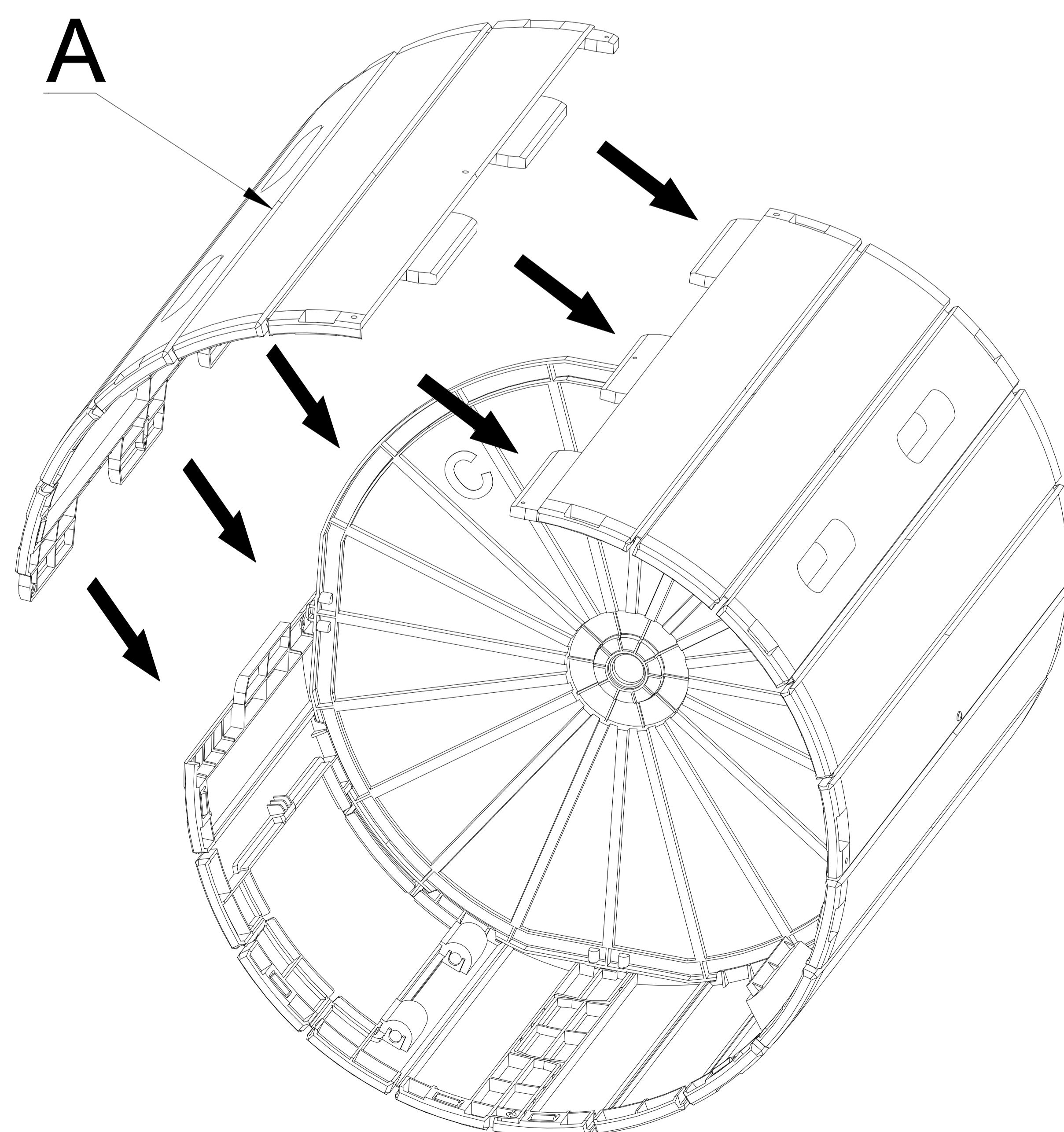
M4x19mm
(X1)



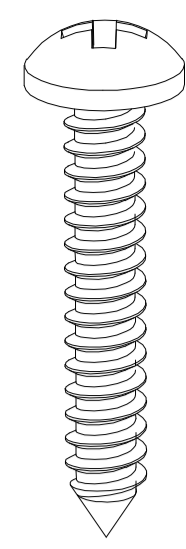
8



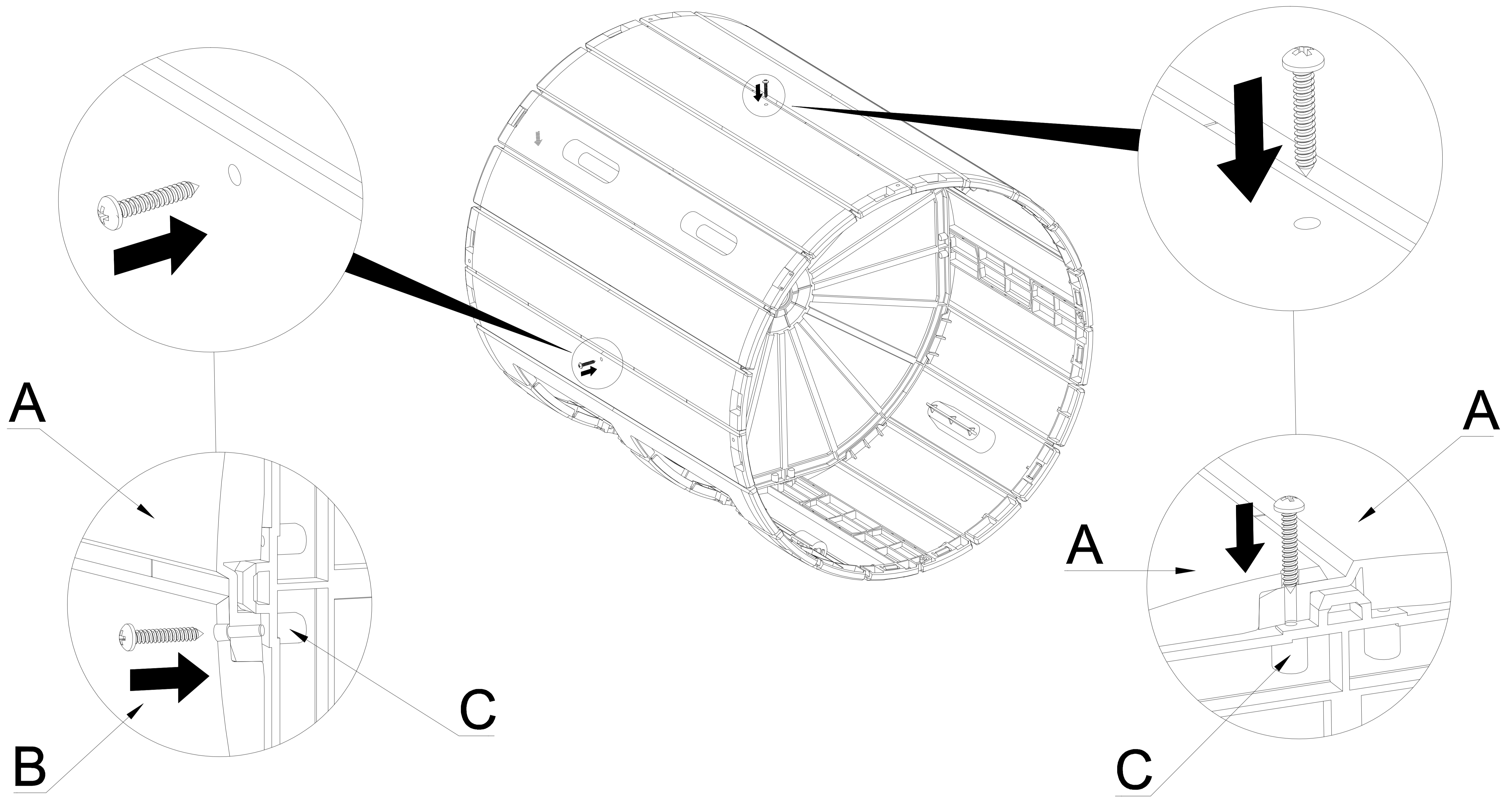
A(X1)



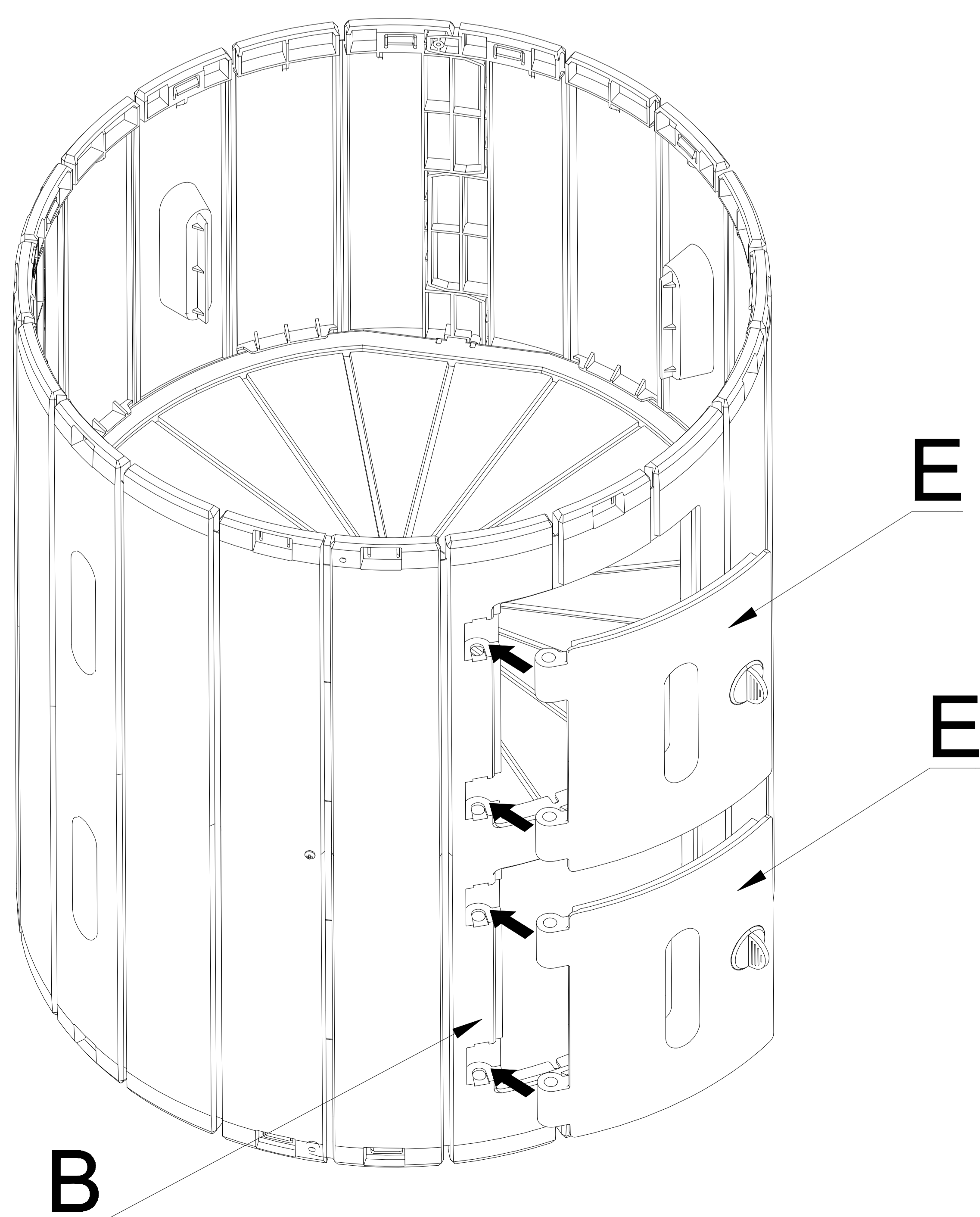
9



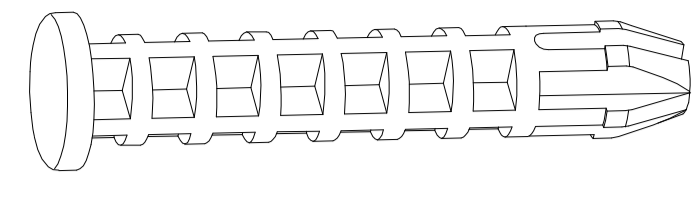
M4x19mm
(X2)



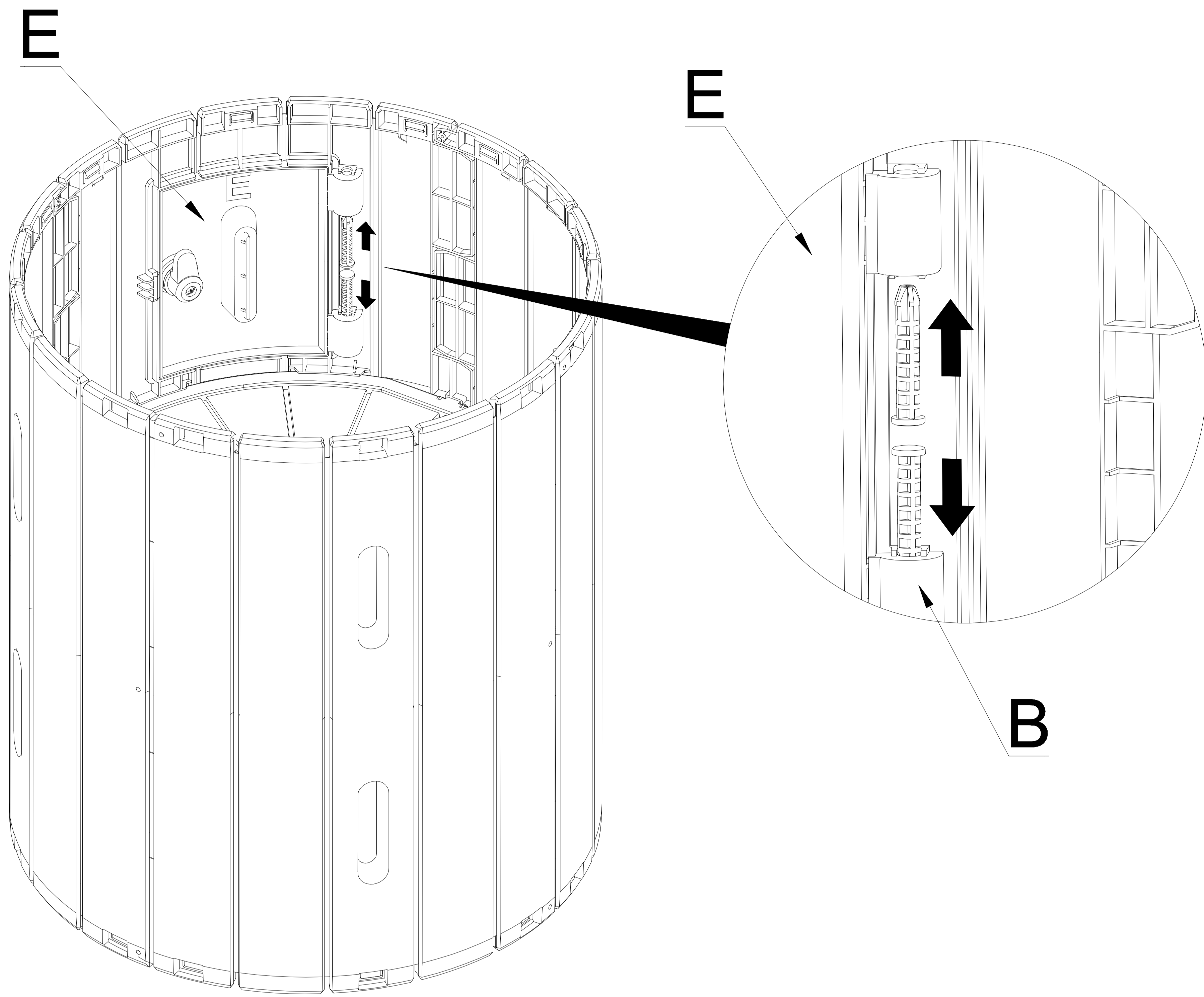
10



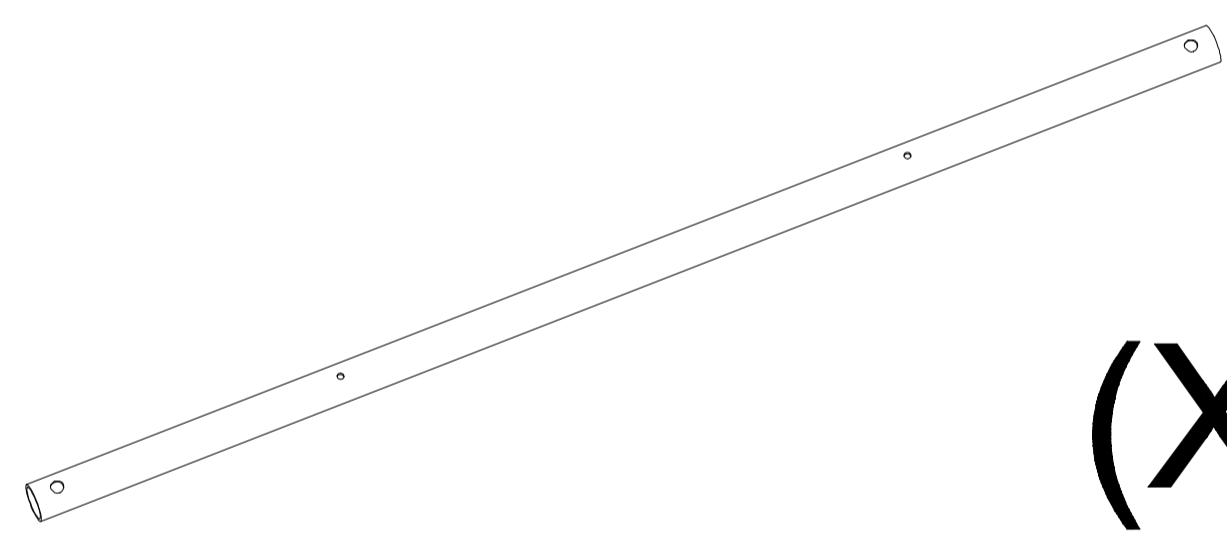
11



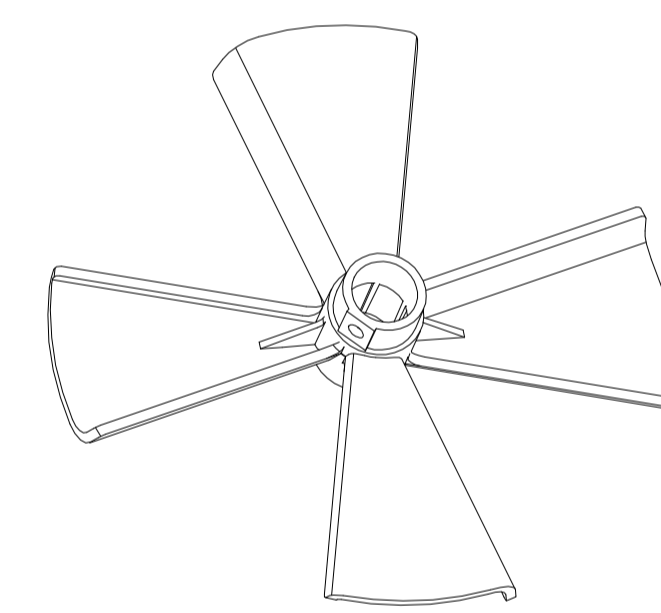
(X4)



12



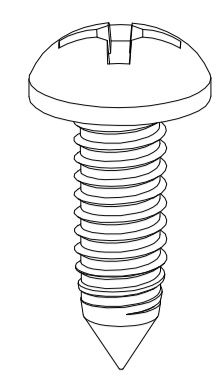
(X1)



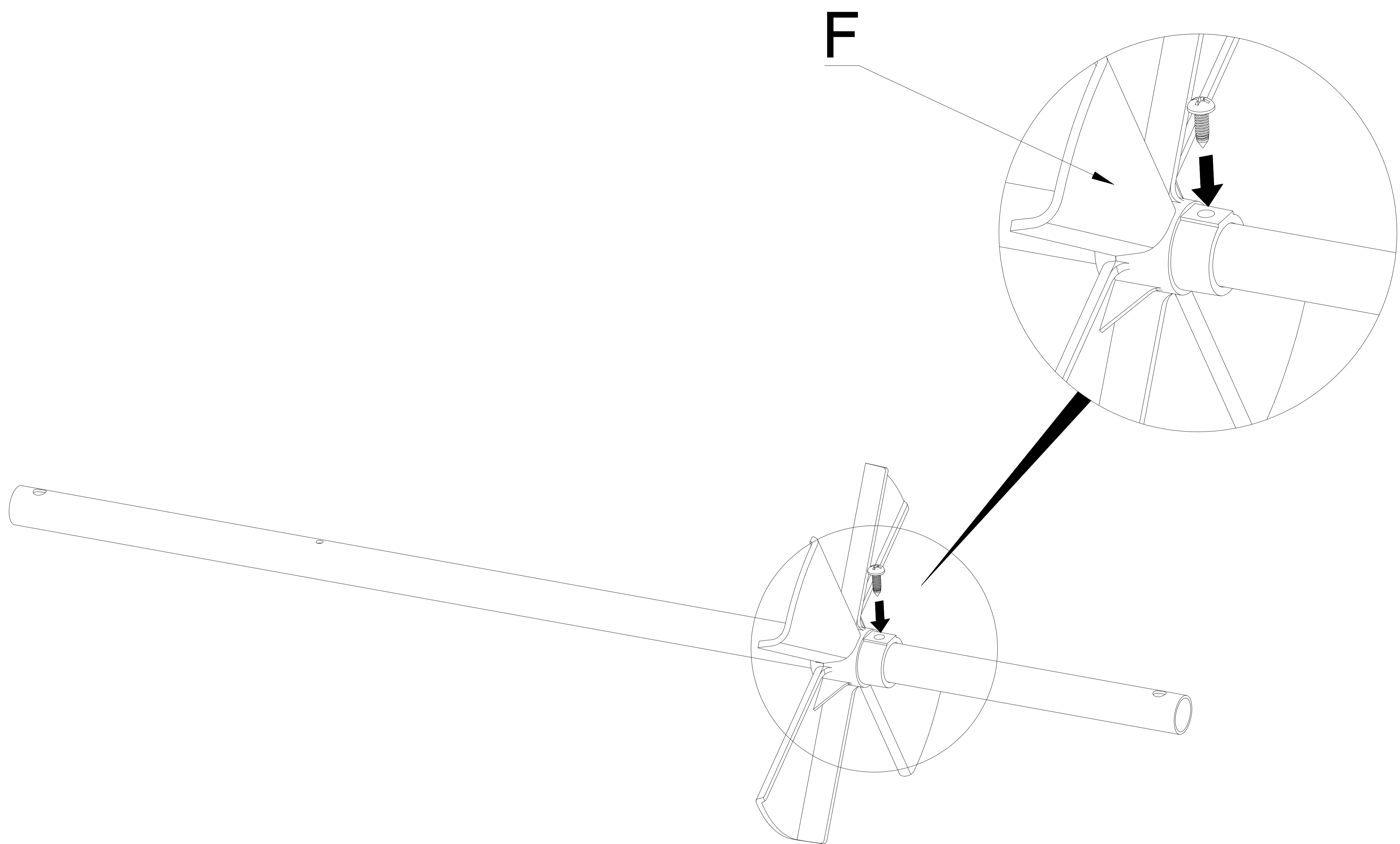
F(X1)



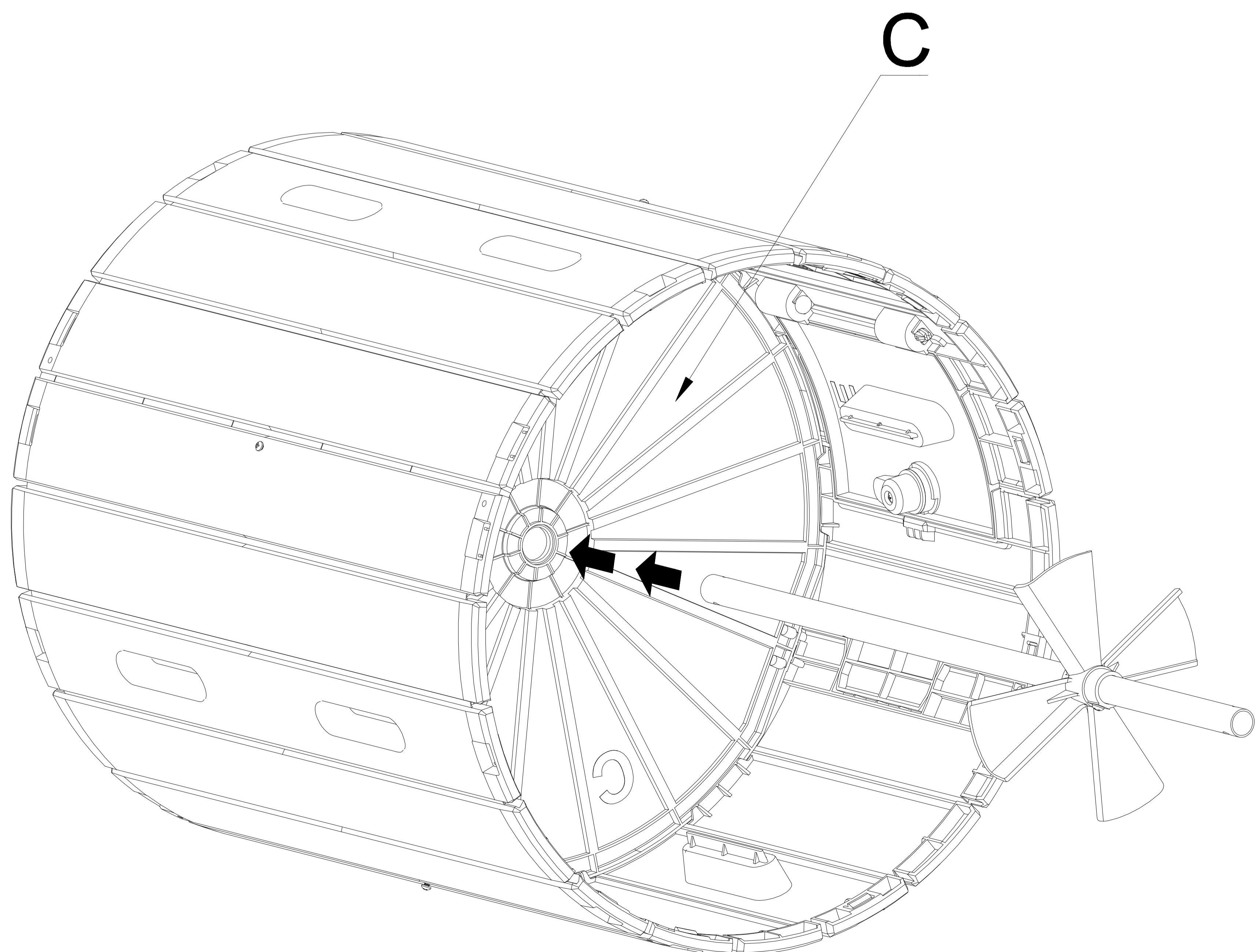
13



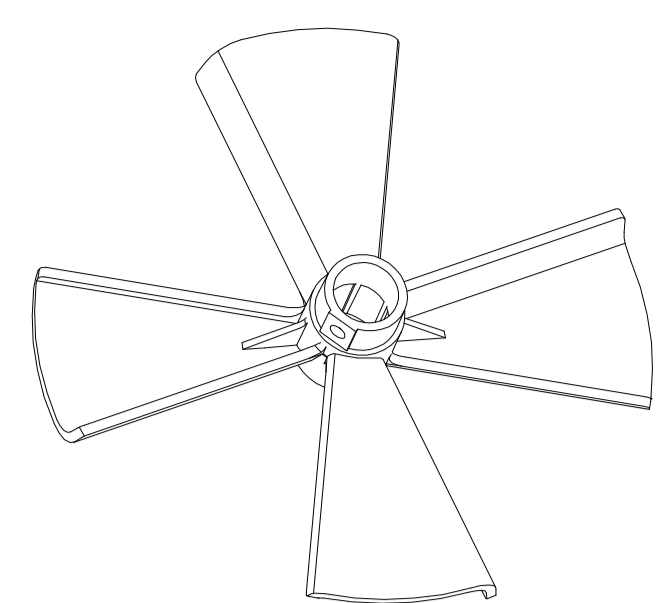
M5x10mm
(X1)



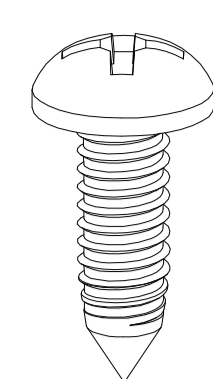
14



15

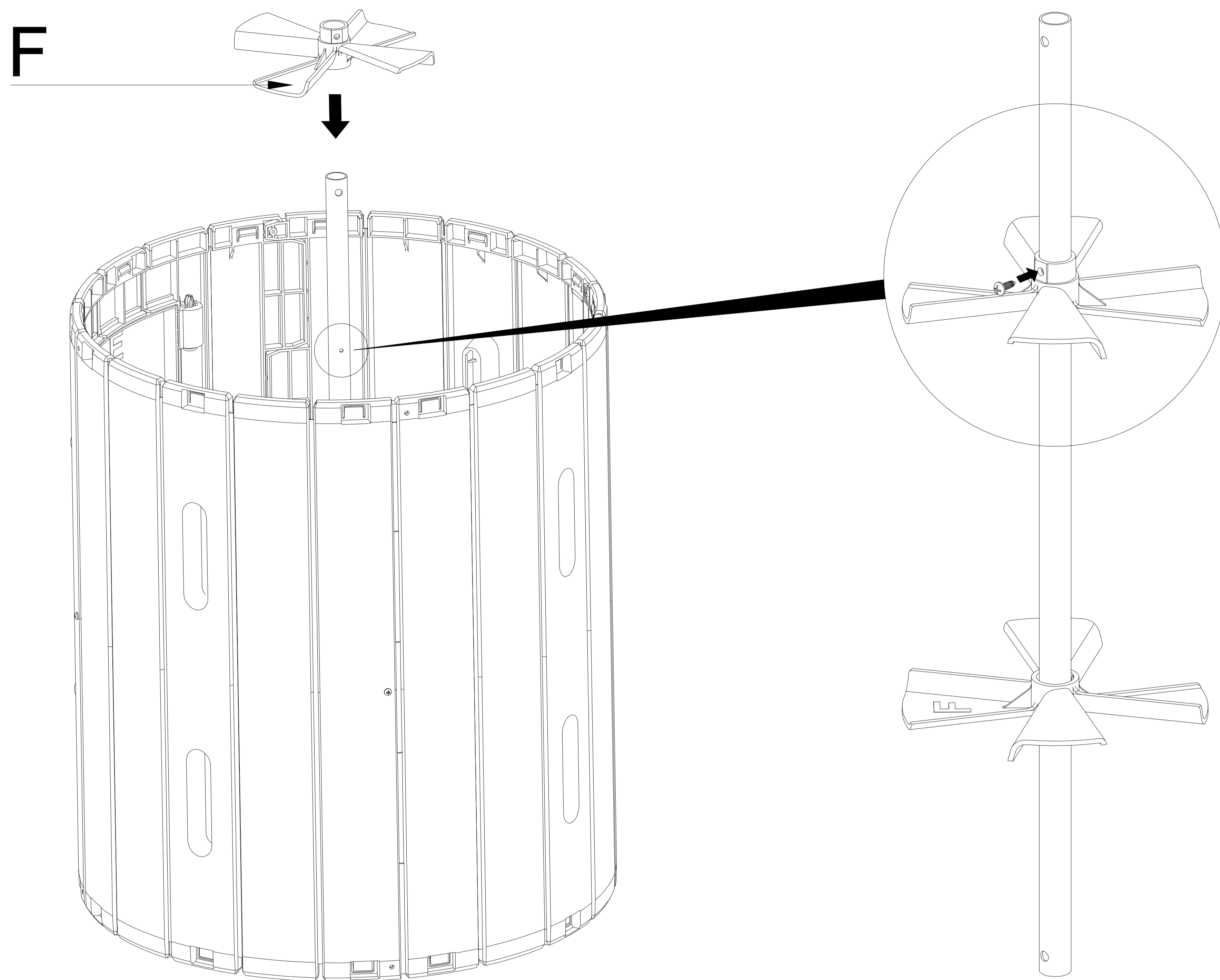


F(X1)

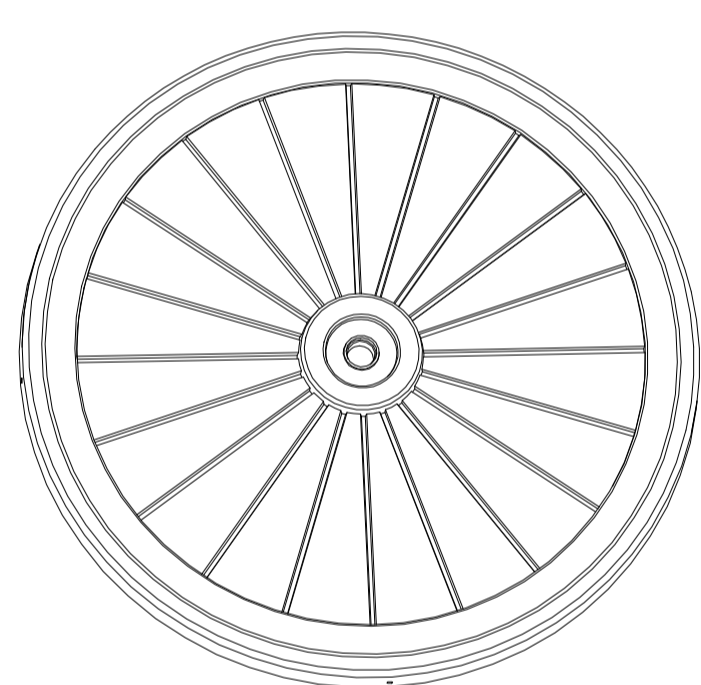


M5x10mm

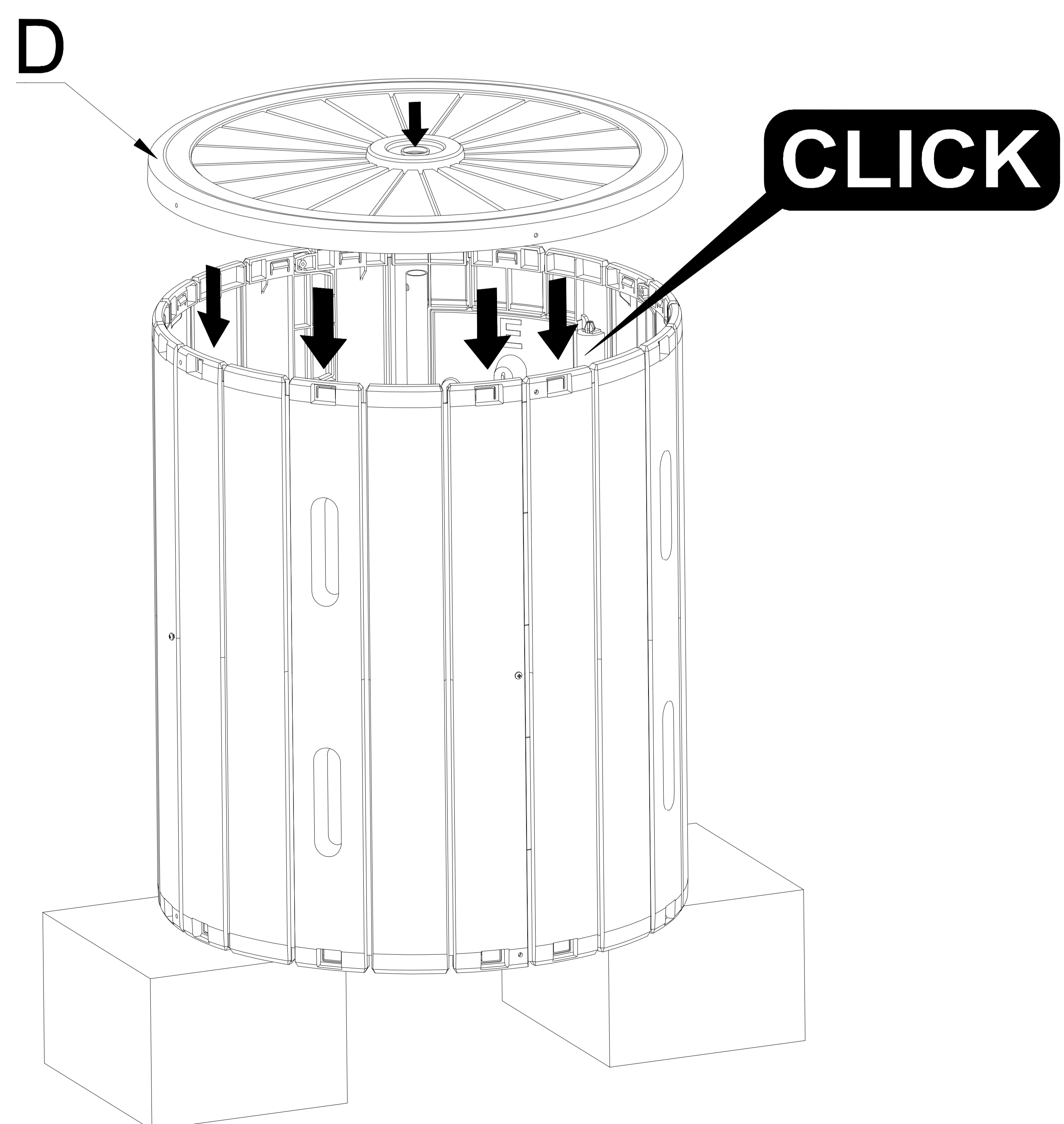
(X1)



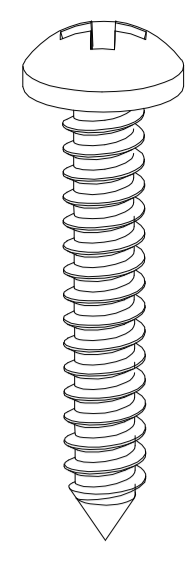
16



D(X1)

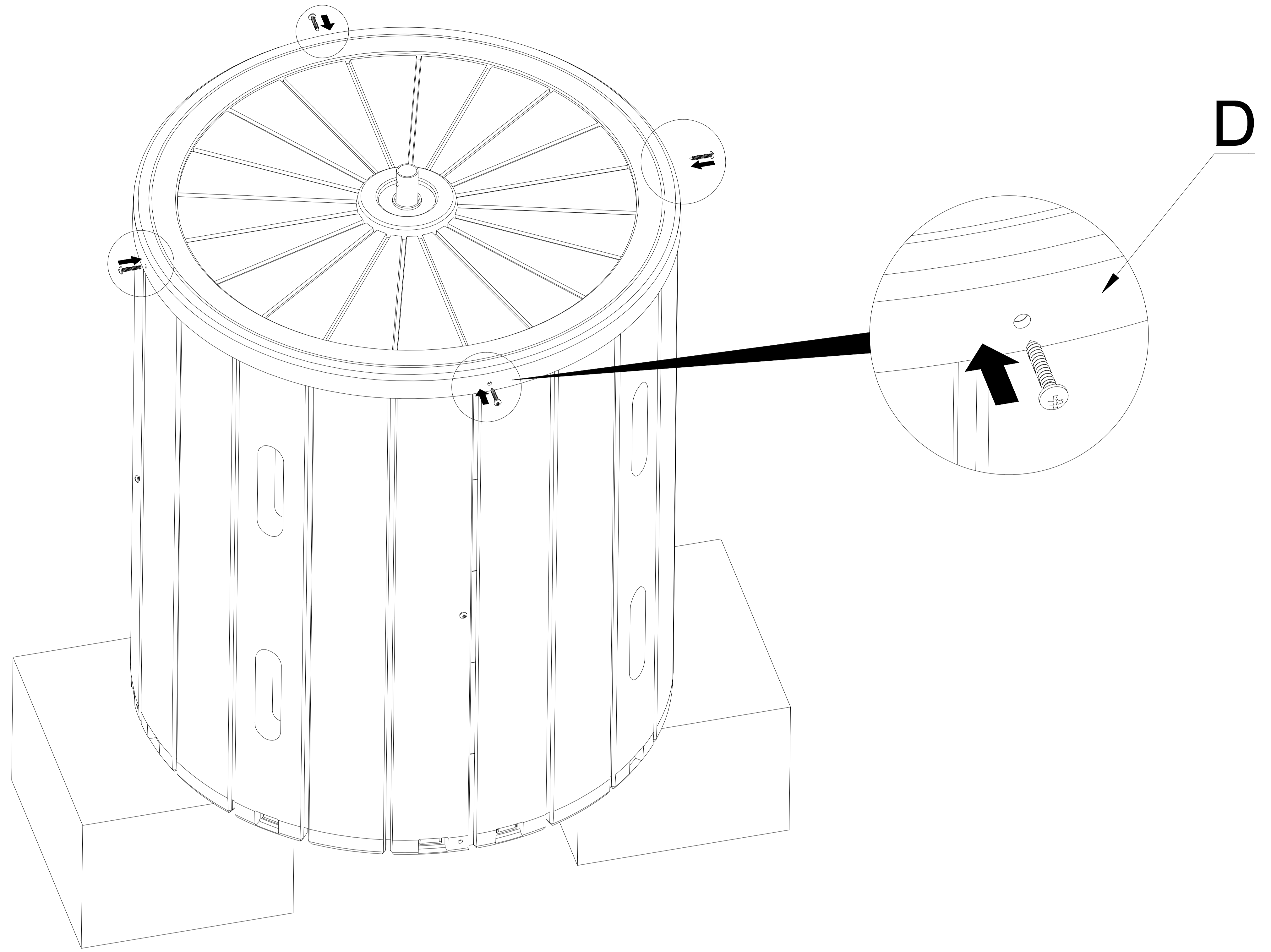


17

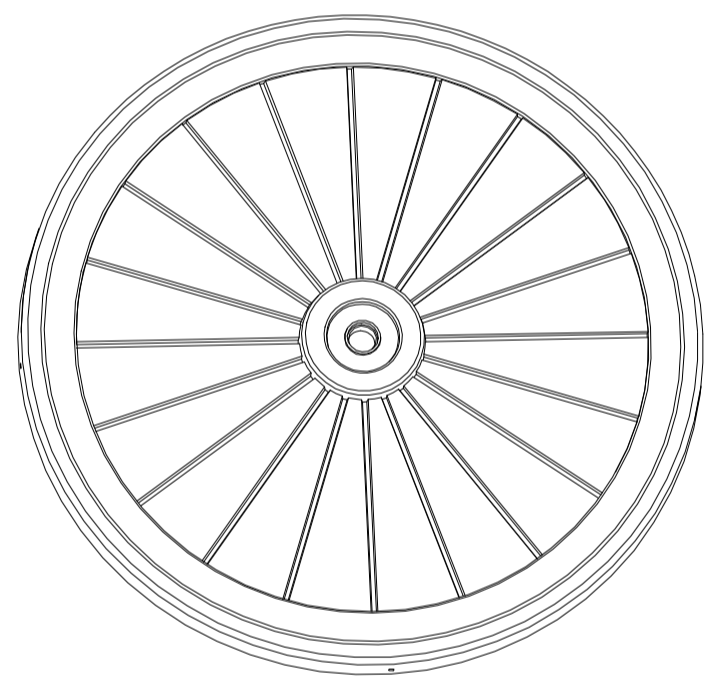


M4x19mm

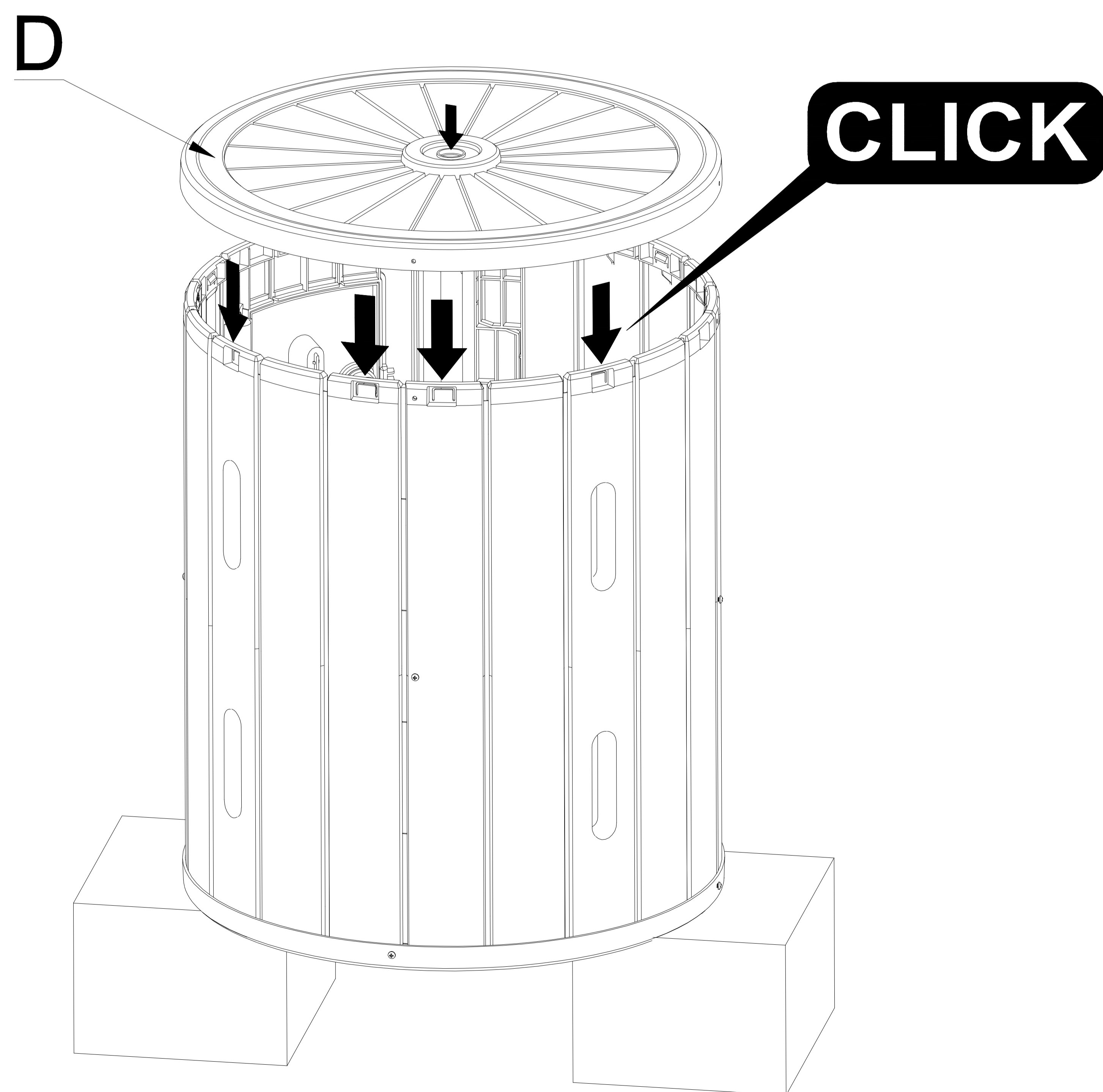
(X4)



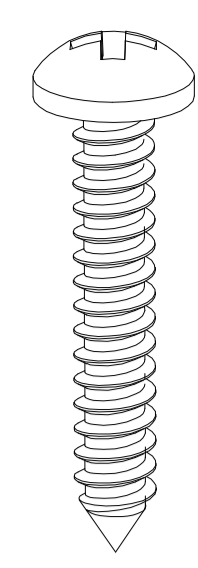
18



D(X1)

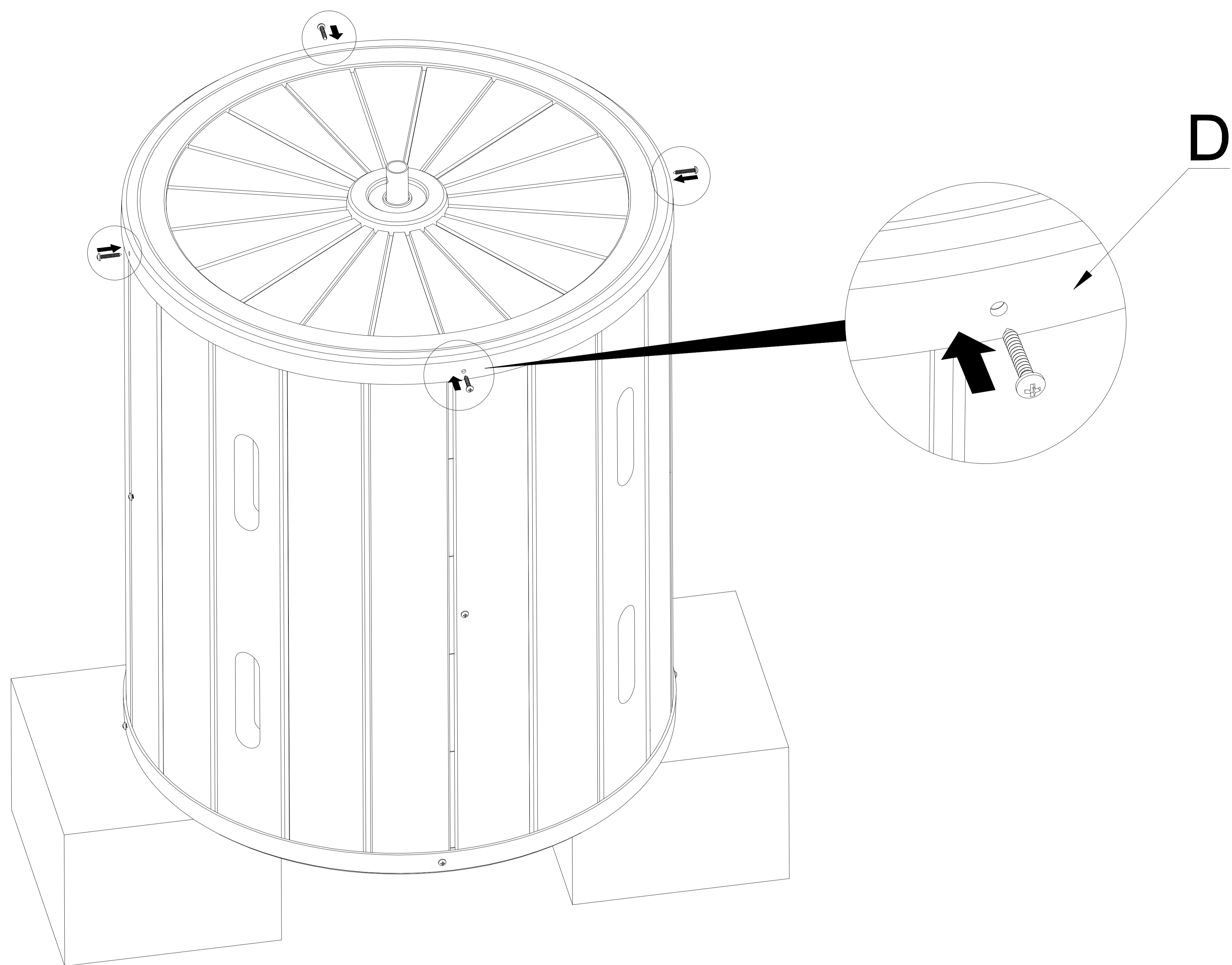


19

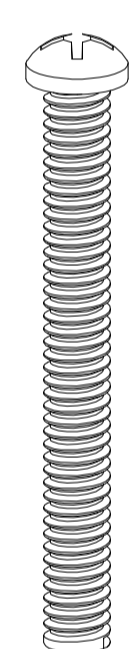


M4x19mm

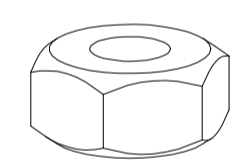
(X4)



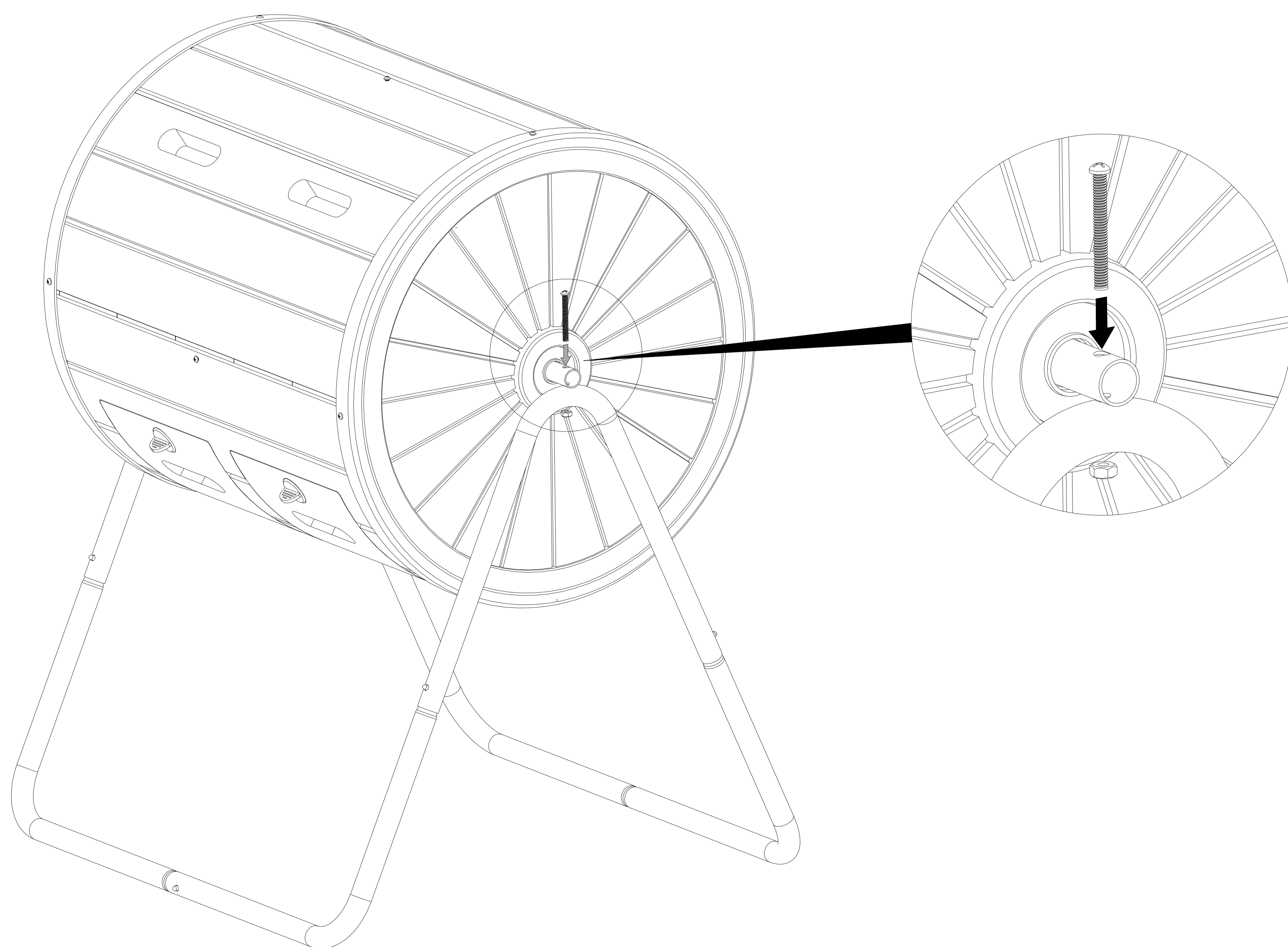
20



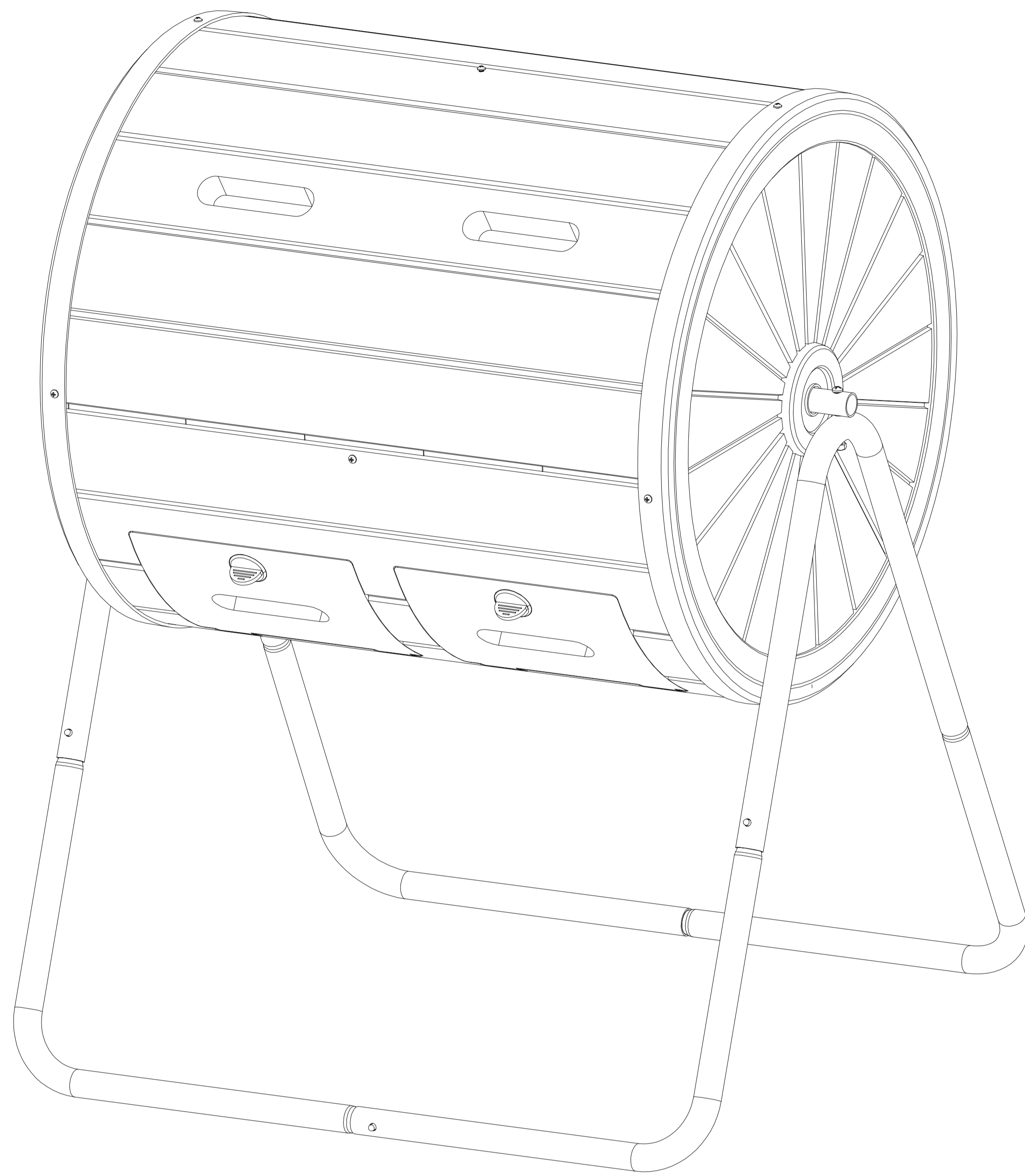
(X2)



(X2)



21



22

90.0 °Lock sound :ge deng

