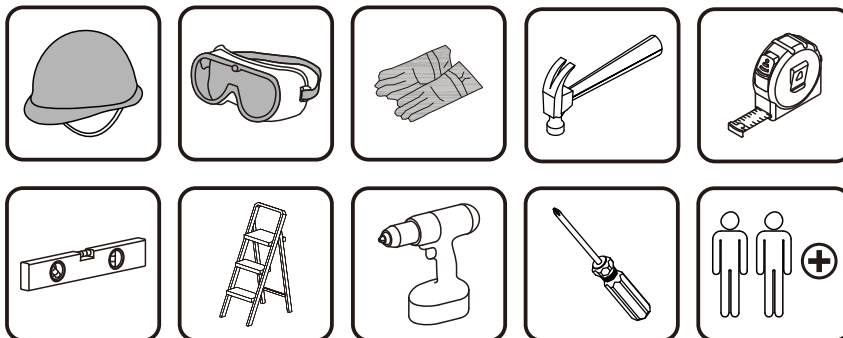


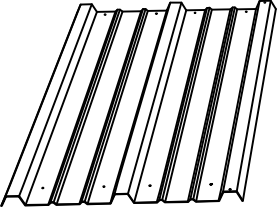
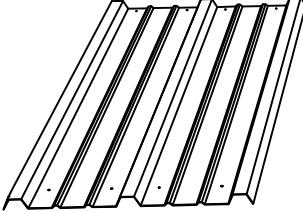
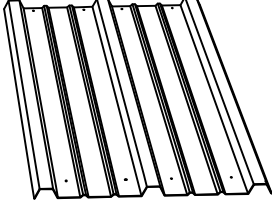

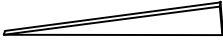

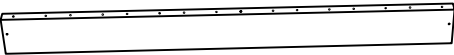

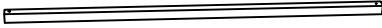
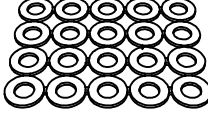
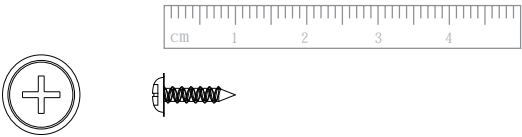

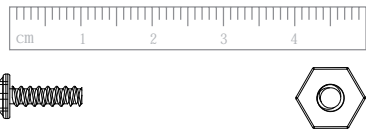

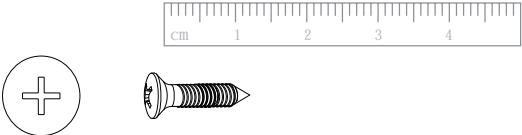

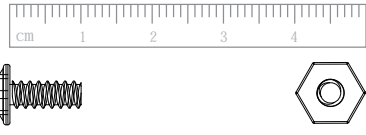

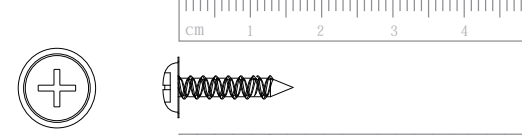

GA7005




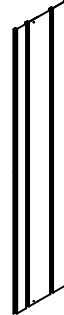

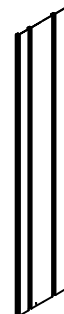

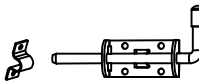





Tools Recommended

PART LIST (BOX 1)

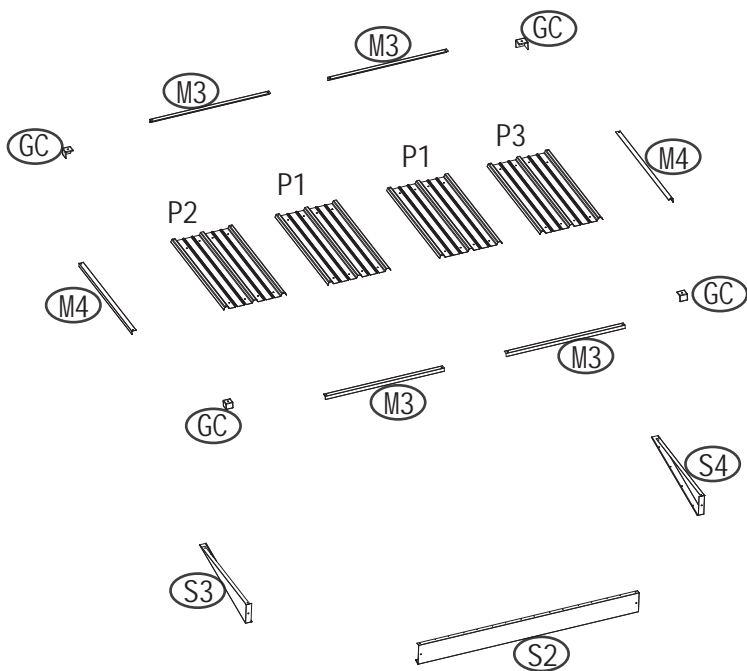
ROOF PARTS

 <p>P1 X2</p>	 <p>P2 X1</p>	 <p>P3 X1</p>	
 <p>M4 X2</p>	 <p>S3 X1</p>	 <p>S4 X1</p>	
 <p>S2 X1</p>		 <p>GC X4</p>	
 <p>M3 X4</p>	 <p>V2X54</p>		
 <p>F1(X80)</p>  <p>M4*10</p>		 <p>F2(X4)</p>  <p>M4*10</p>	
 <p>F3(X24)</p>  <p>M5*12</p>		 <p>F4(X5)</p>  <p>M6*10</p>	
 <p>For GC</p> <p>F5(X4)</p>  <p>M4*16</p>			

WALL PARTS


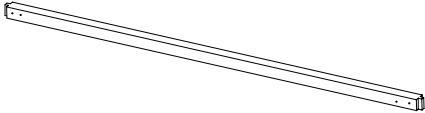
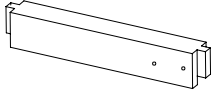
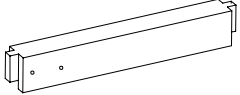


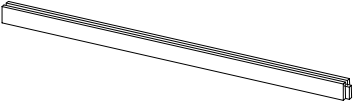
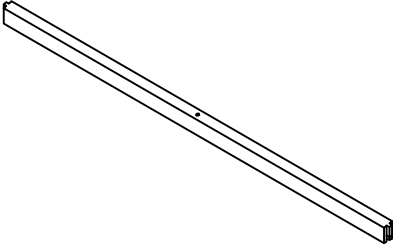
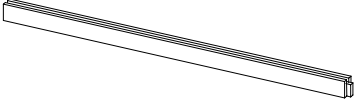

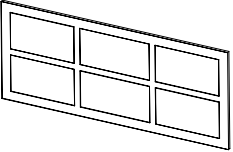
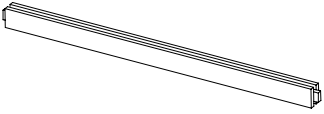
 DLA X1	 DLB X1	 DRB X1	 DRA X1	 20 X4	 DC X2
				 DG X1	 DH X4
				 DF X1	 V1 X18
 DX2 X4					

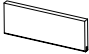
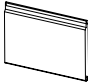

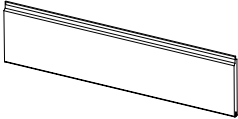
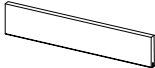




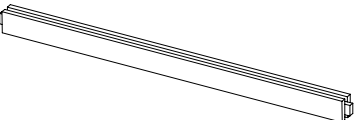
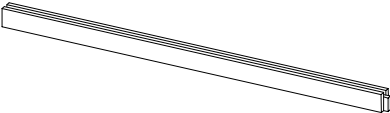
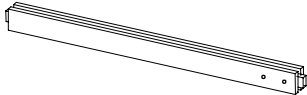
SCREW

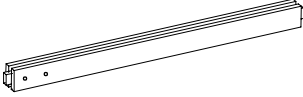





Please remove the shipping protective film of the product before installation

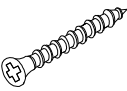

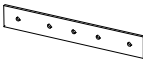
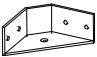

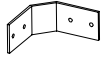
PART LIST (BOX 1)

 <p>① X4</p> <p>1657*45*45mm</p>	 <p>② X2</p> <p>1156*30*30mm</p>	 <p>③ X1</p> <p>134.5*40*30mm</p>
 <p>④ X1</p> <p>134.5*40*30mm</p>	 <p>⑤ X1</p> <p>1657*40*30mm</p>	 <p>AA X1</p> <p>1657*40*30mm</p>
 <p>BB X2</p> <p>755*40*30mm</p>	 <p>⑥ X1</p> <p>1465*58*30mm</p>	 <p>⑦ X1</p> <p>1465*40*30mm</p>
 <p>⑧ X1</p> <p>1595*40*30mm</p>	 <p>⑨ X2</p> <p>754*318mm</p>	 <p>⑩ X2</p> <p>755*40*30mm</p>

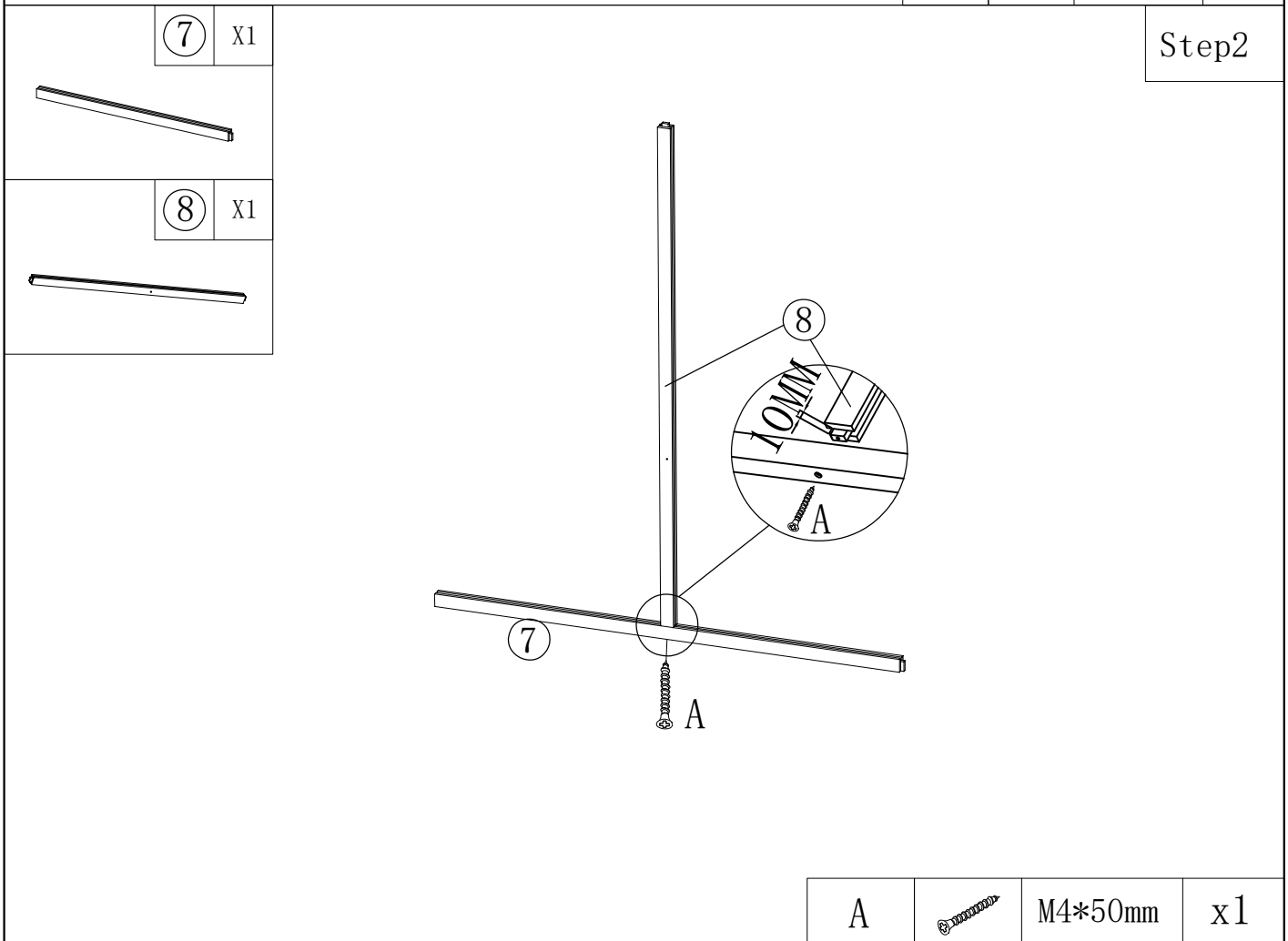
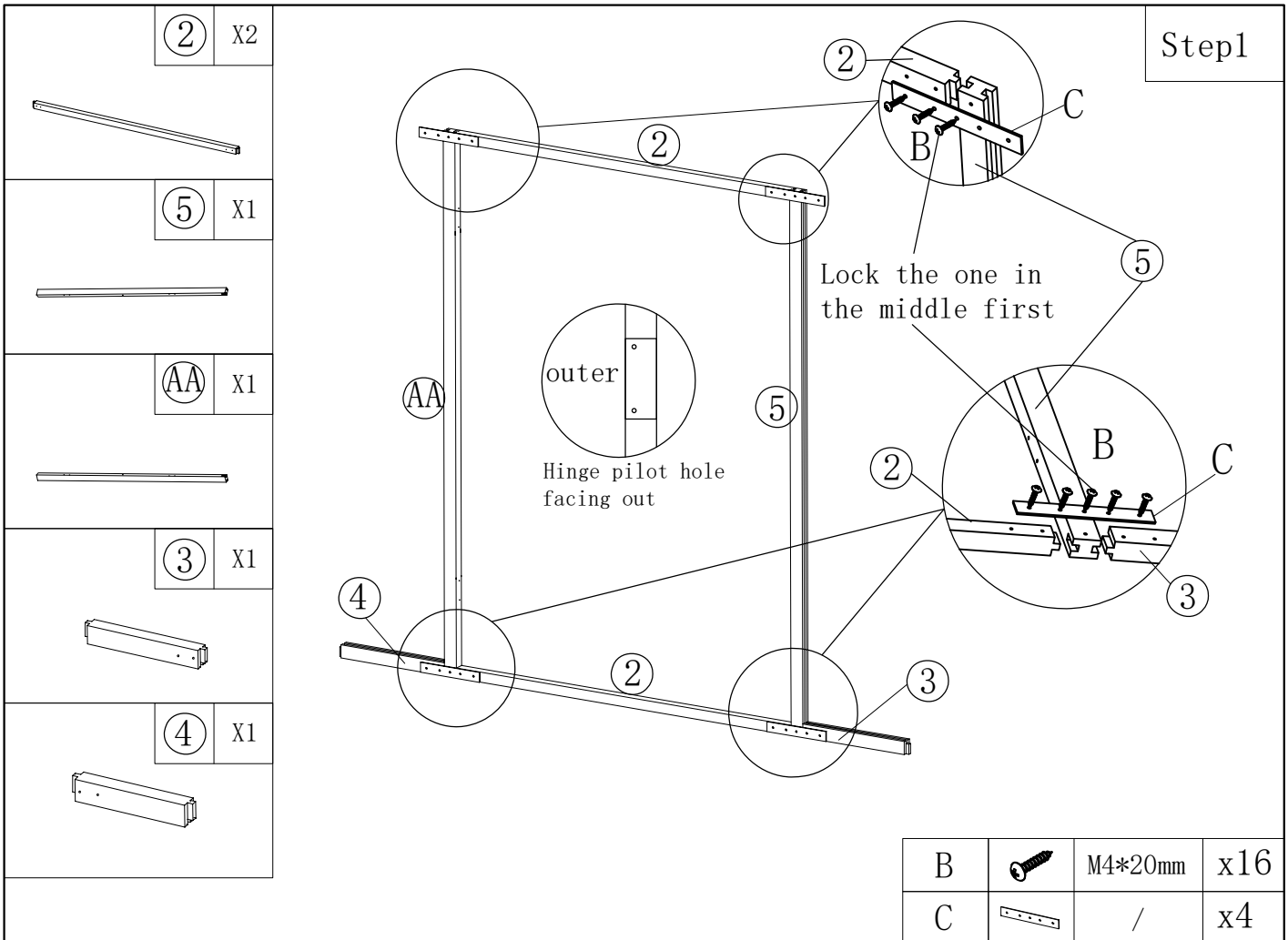
<div data-bbox="448 226 571 282" data-label="Text">⑪ X2</div>  <div data-bbox="129 629 296 658" data-label="Text">133.5*65*9mm</div>	<div data-bbox="895 226 1018 282" data-label="Text">⑫ X32</div>  <div data-bbox="576 629 743 658" data-label="Text">133.5*97*9mm</div>	<div data-bbox="1342 226 1465 282" data-label="Text">⑬ X2</div>  <div data-bbox="1023 629 1166 658" data-label="Text">754*65*9mm</div>
<div data-bbox="448 672 571 728" data-label="Text">⑭ X2</div>  <div data-bbox="129 1081 268 1111" data-label="Text">754*97*9mm</div>	<div data-bbox="895 672 1018 728" data-label="Text">⑮ X2</div>  <div data-bbox="576 1081 719 1111" data-label="Text">722*65*9mm</div>	<div data-bbox="1342 672 1465 728" data-label="Text">⑯ X32</div>  <div data-bbox="1023 1081 1166 1111" data-label="Text">722*97*9mm</div>
<div data-bbox="448 1117 571 1173" data-label="Text">⑰ X2</div>  <div data-bbox="129 1523 268 1552" data-label="Text">722*67*9mm</div>	<div data-bbox="895 1117 1018 1173" data-label="Text">⑱ X2</div>  <div data-bbox="576 1523 743 1552" data-label="Text">133.5*67*9mm</div>	<div data-bbox="1342 1117 1465 1173" data-label="Text">⑲ X2</div>  <div data-bbox="1023 1523 1166 1552" data-label="Text">754*67*9mm</div>
<div data-bbox="448 1563 571 1619" data-label="Text">⑳ X4</div>  <div data-bbox="129 1968 268 1998" data-label="Text">755*40*30mm</div>	<div data-bbox="895 1563 1018 1619" data-label="Text">㉑ X2</div>  <div data-bbox="576 1968 715 1998" data-label="Text">755*50*30mm</div>	<div data-bbox="1342 1563 1465 1619" data-label="Text">㉒ X1</div>  <div data-bbox="1023 1968 1209 1998" data-label="Text">722.5*40*30mm</div>

<div data-bbox="448 226 571 282" data-label="Text"> <p>②④ X1</p> </div>  <div data-bbox="129 629 316 663" data-label="Text"> <p>722.5*40*30mm</p> </div>	<div data-bbox="895 226 1018 282" data-label="Text"> <p>②⑥ X2</p> </div>  <div data-bbox="576 622 775 656" data-label="Text"> <p>134.5*40*30mm</p> </div>	<div data-bbox="1342 226 1465 282" data-label="Text"> <p>②⑦ X1</p> </div>  <div data-bbox="1027 622 1227 656" data-label="Text"> <p>134.5*50*30mm</p> </div>
-------------------------------------------------------------------------------------------------------------------------------------------------------------------------------------------------------------------------------------------	--------------------------------------------------------------------------------------------------------------------------------------------------------------------------------------------------------------------------------------------	-------------------------------------------------------------------------------------------------------------------------------------------------------------------------------------------------------------------------------------------------

<div data-bbox="448 674 571 730" data-label="Text"> <p>②⑧ X1</p> </div>  <div data-bbox="129 1070 328 1104" data-label="Text"> <p>134.5*50*30mm</p> </div>

<div data-bbox="272 1308 448 1397" data-label="Text"> <p>A x20+(1) M4*50mm</p> </div> 	<div data-bbox="612 1308 788 1397" data-label="Text"> <p>B x57+(2) M4*20mm</p> </div> 	<div data-bbox="956 1308 1131 1352" data-label="Text"> <p>C x5</p> </div> 	<div data-bbox="1299 1308 1474 1352" data-label="Text"> <p>D x2</p> </div> 
<div data-bbox="272 1592 448 1682" data-label="Text"> <p>E x2 ø8*180mm</p> </div> 	<div data-bbox="612 1592 788 1637" data-label="Text"> <p>F x6</p> </div> 		

Box 1		Box 2		Box 2	
Part#	Qty	Part#	Qty	Part#	Qty
P1	2	1	4	A	21
P2	1	2	2	B	59
P3	1	3	1	C	5
M4	2	4	1	D	2
S2	1	5	1	E	2
S3	1	AA	1	F	6
S4	1	BB	2		
M3	4	6	1		
GC	4	7	1		
V2	54	8	1		
F1	80	9	2		
F2	4	10	2		
F3	24	11	2		
F4	5	12	32		
F5	4	13	2		
DLA	1	14	2		
DLB	1	15	2		
DRA	1	16	32		
DRB	1	17	2		
DX2	4	18	2		
20	4	19	2		
DC	2	21	4		
DG	1	22	2		
DH	4	23	1		
DF	1	24	1		
V1	18	26	2		
		27	1		
		28	1		



Step5

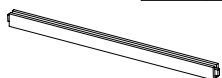
⑭ X14



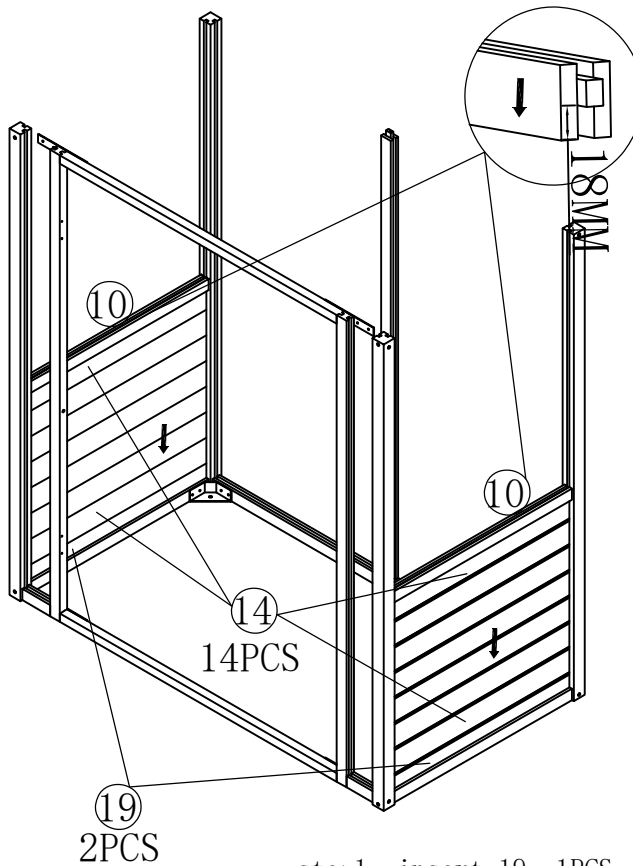
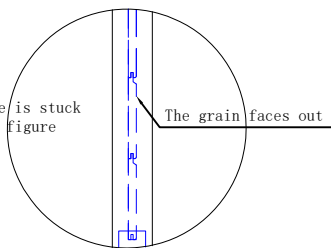
⑲ X2



⑩ X2



The gusset plate is stuck
As shown in the figure



- step1: insert 19 1PCS
- step2: insert 14 7PCS
- step3: insert 10 1PCS

X2

Step6

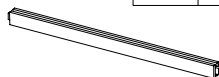
⑭ X10



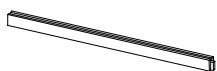
⑬ X2



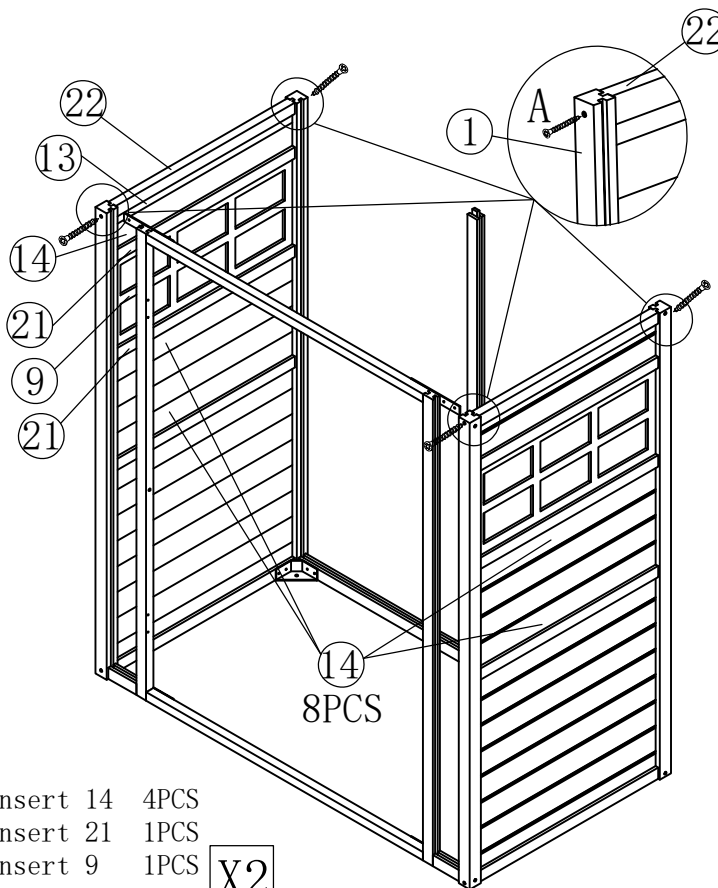
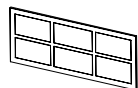
⑳ X4



㉒ X2



⑨ X2

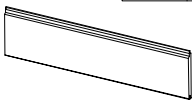


- step1: insert 14 4PCS
- step2: insert 21 1PCS
- step3: insert 9 1PCS
- step4: insert 21 1PCS
- step5: insert 13 1PCS
- step6: insert 22 1PCS


X2

A		M4*50mm	x4
---	--	---------	----


16 X14



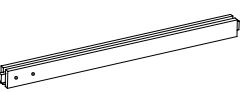
17 X2



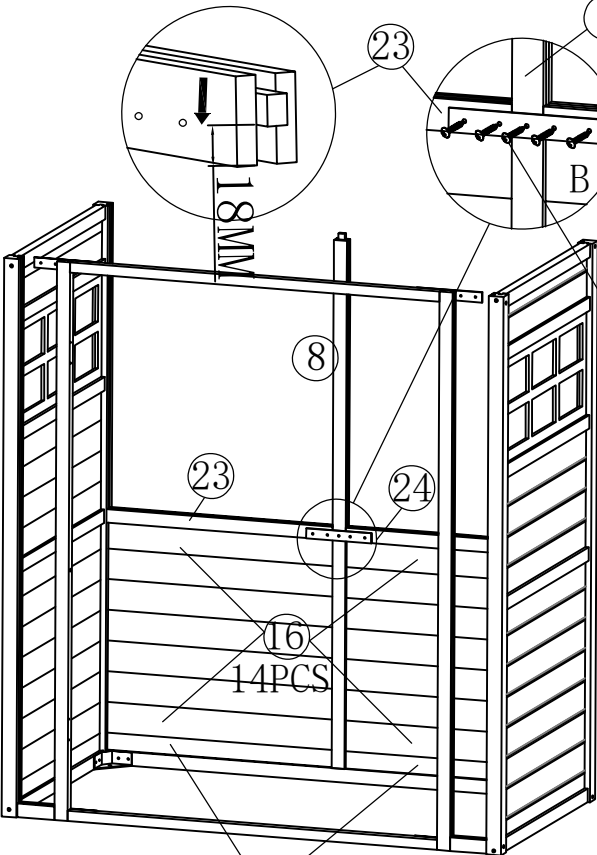
23 X1



24 X1





Step7



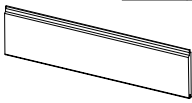
Lock the one in the middle first

step1: insert 17 1PCS X2
step2: insert 16 7PCS X2


17 2PCS

B		M4*20mm	x15
C		/	x1

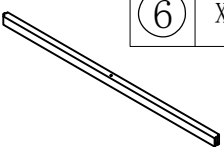
16 X18



15 X2

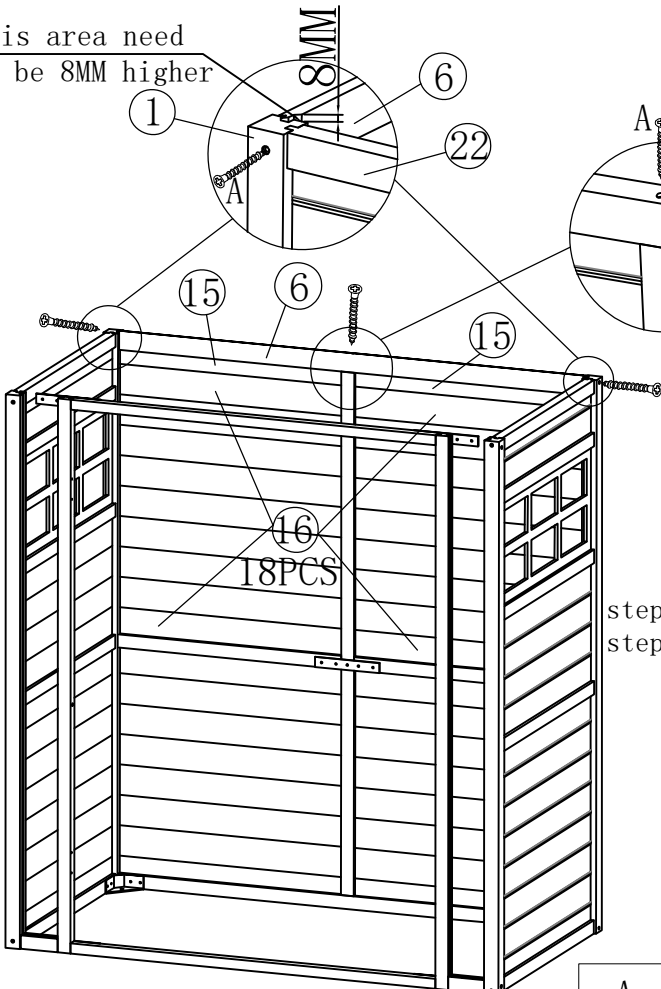


6 X1




Step8

! This area need to be 8MM higher



step1: insert 16 9PCS X2
step2: insert 15 1PCS X2

A		M4*50mm	x3
---	---------------------------------------------------------------------------------------	---------	----

Step9

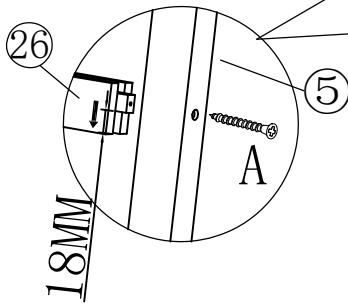
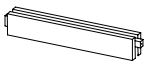
12 X14



18 X2

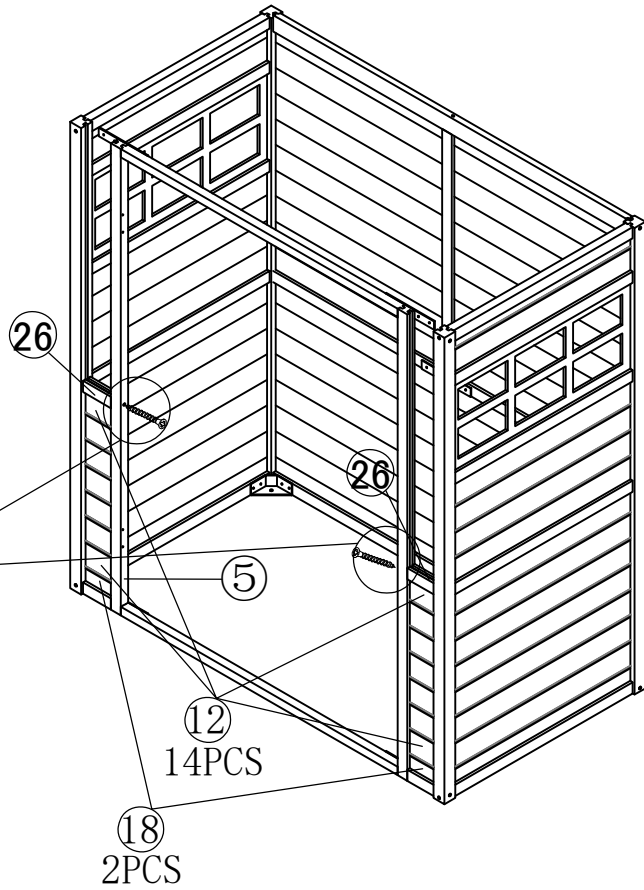


26 X2



step1: insert 18 1PCS
step2: insert 14 7PCS
step3: insert 26 1PCS

X2



18 2PCS

12 14PCS

A



M4*50mm

x2

Step10

12 X18



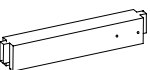
11 X2



27 X1

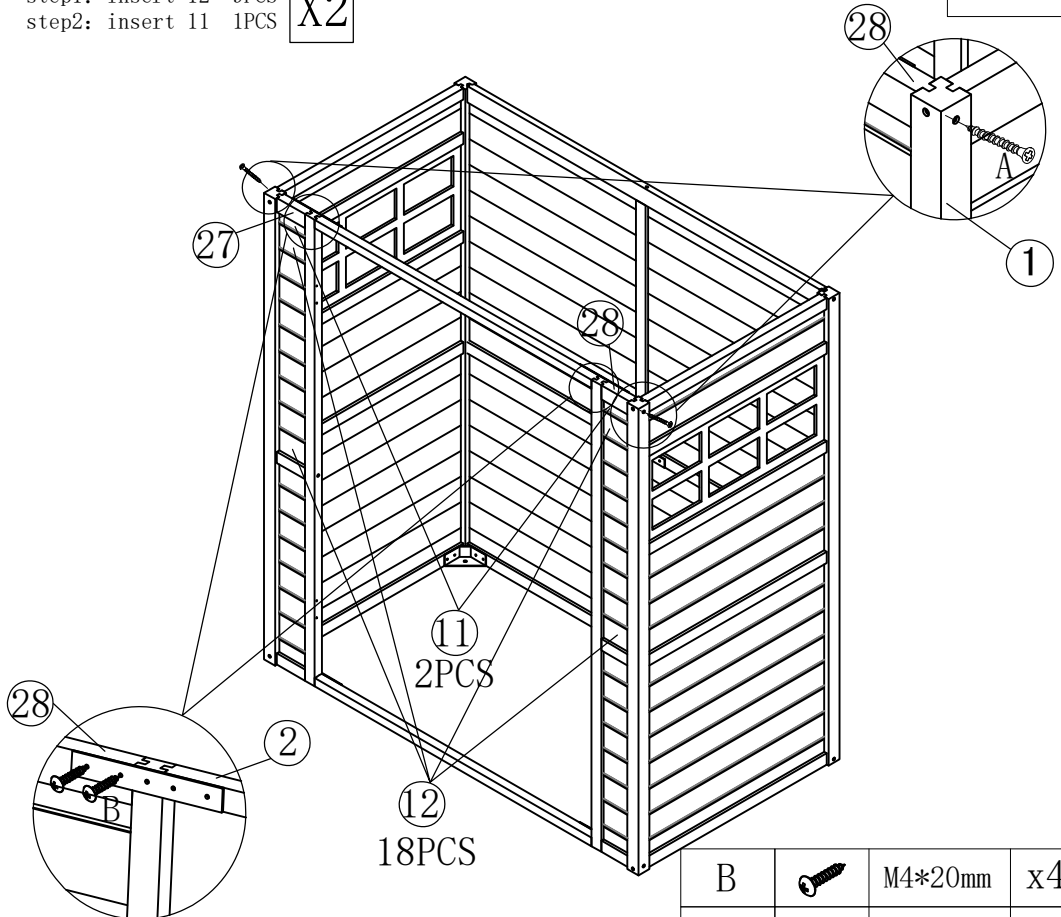


28 X1



step1: insert 12 9PCS
step2: insert 11 1PCS

X2



12 18PCS

11 2PCS

B



M4*20mm

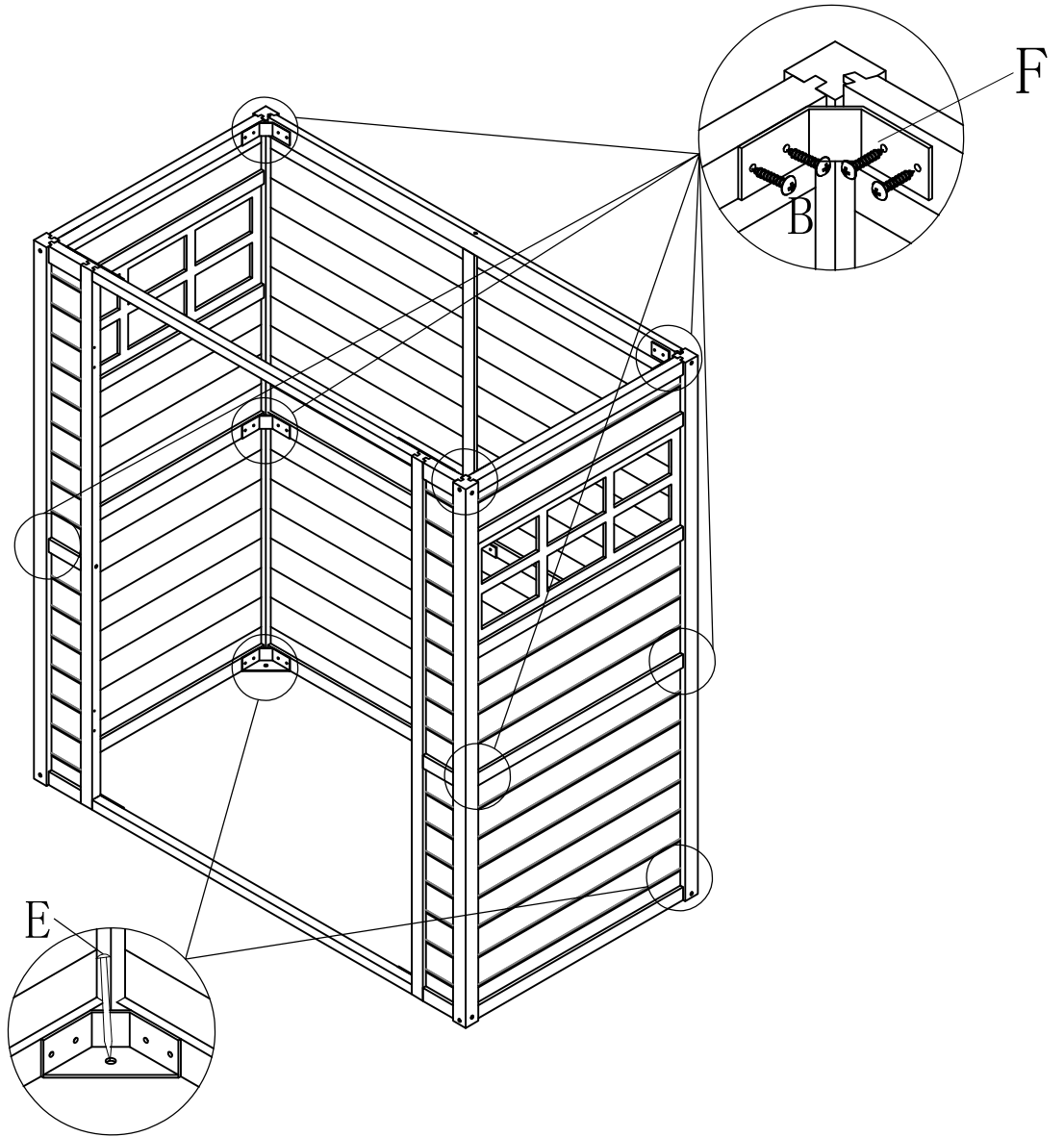
x4

A



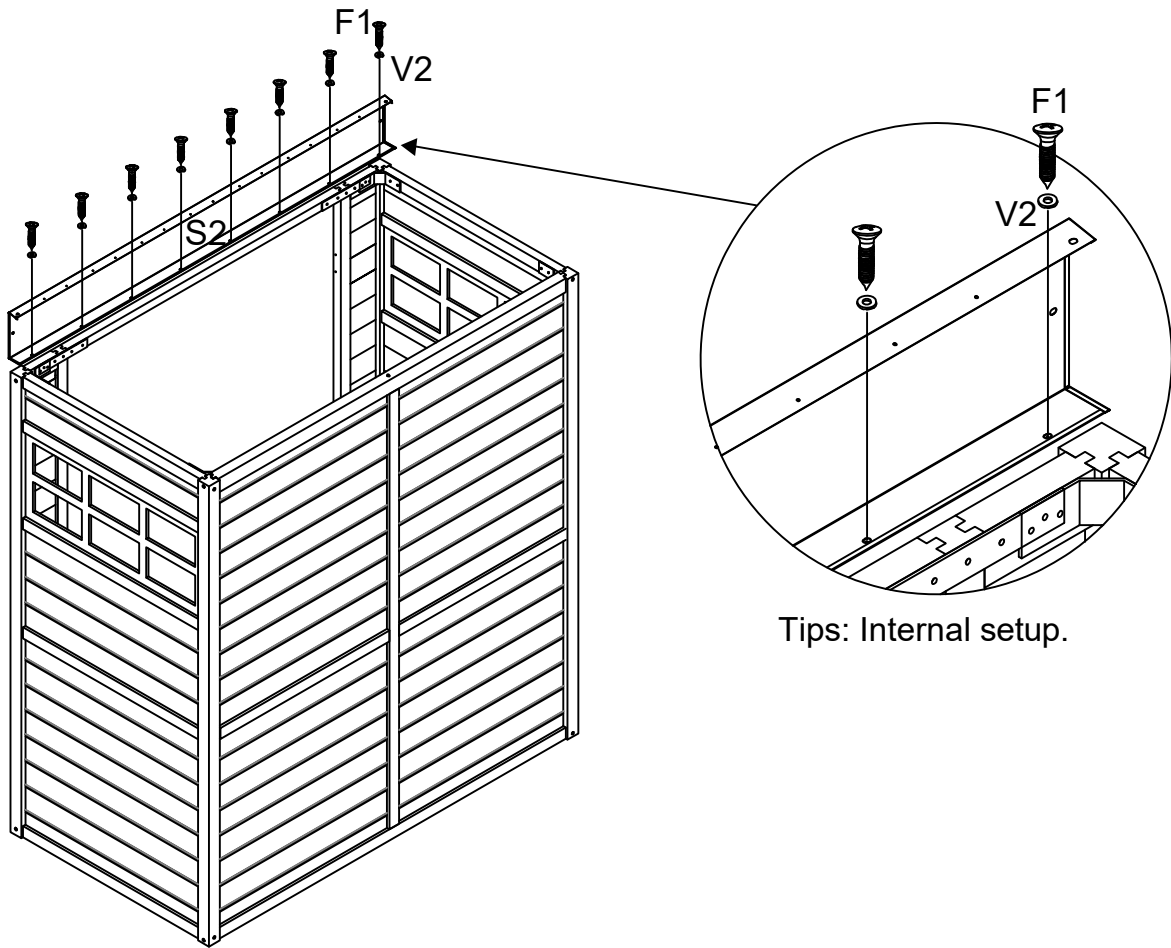
M4*50mm

x2

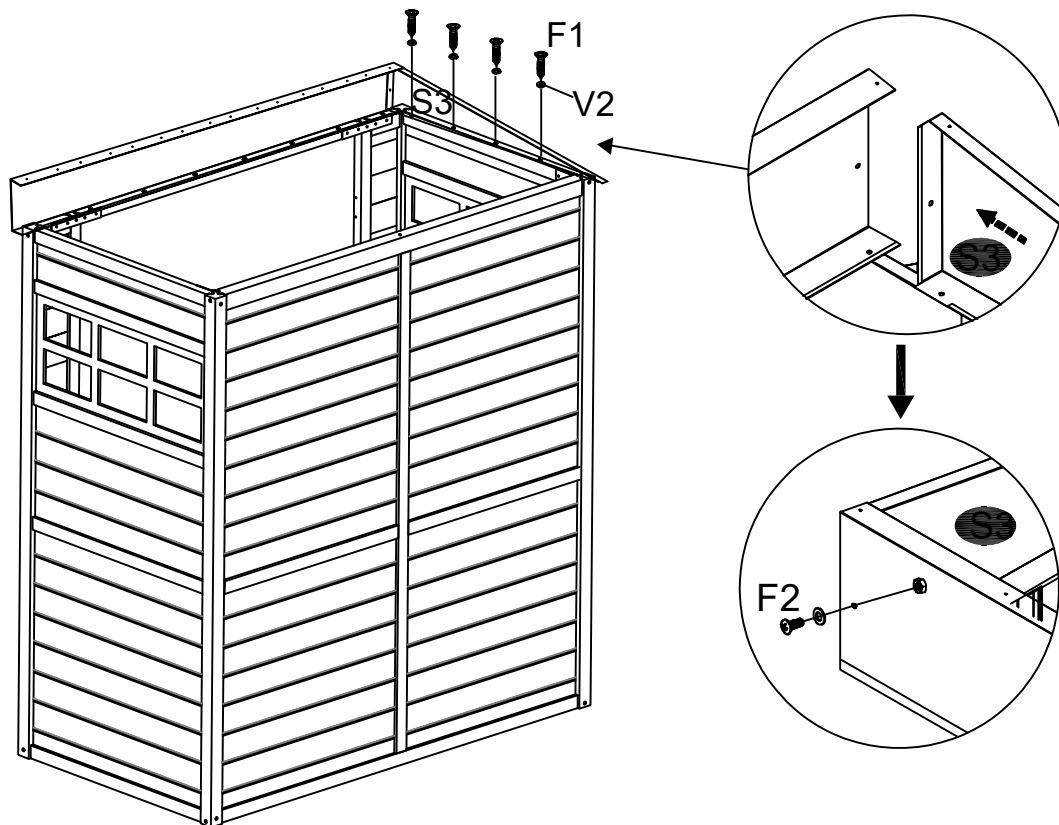


E		/	x2
B		M4*20mm	x24
F		/	x6

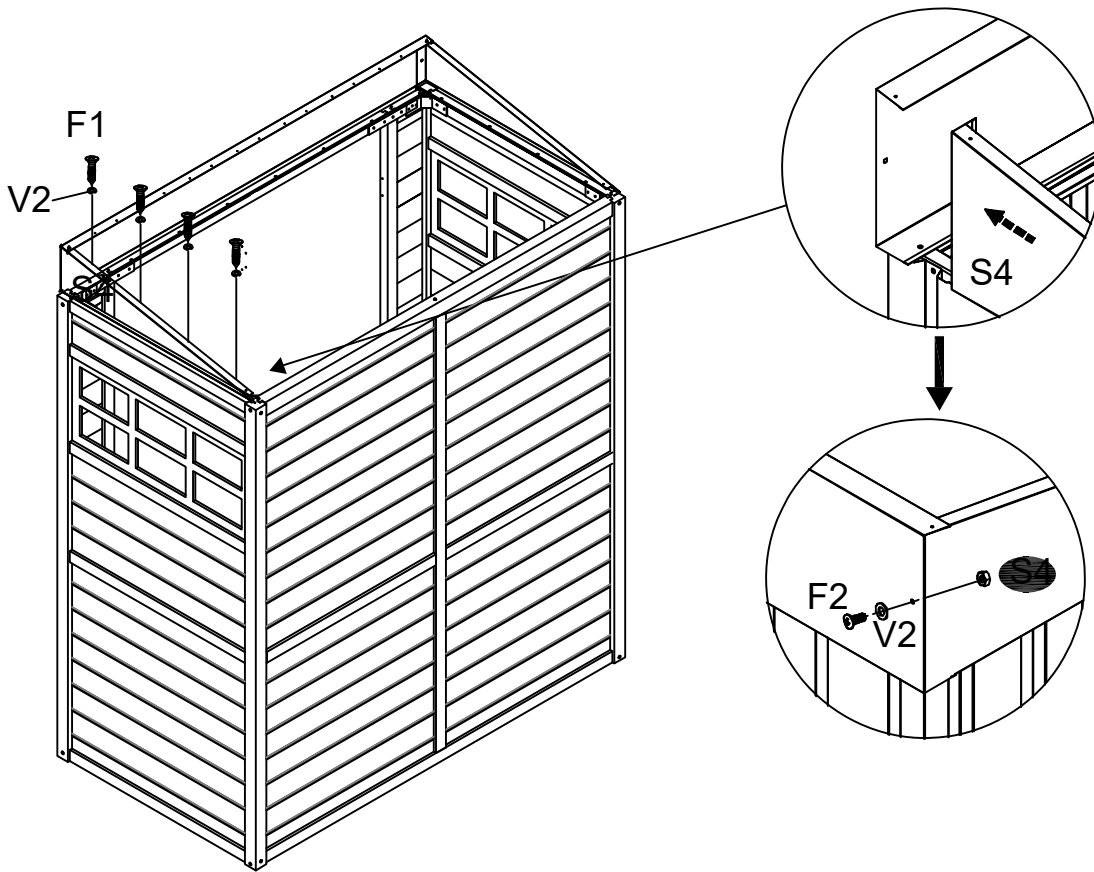
Step12



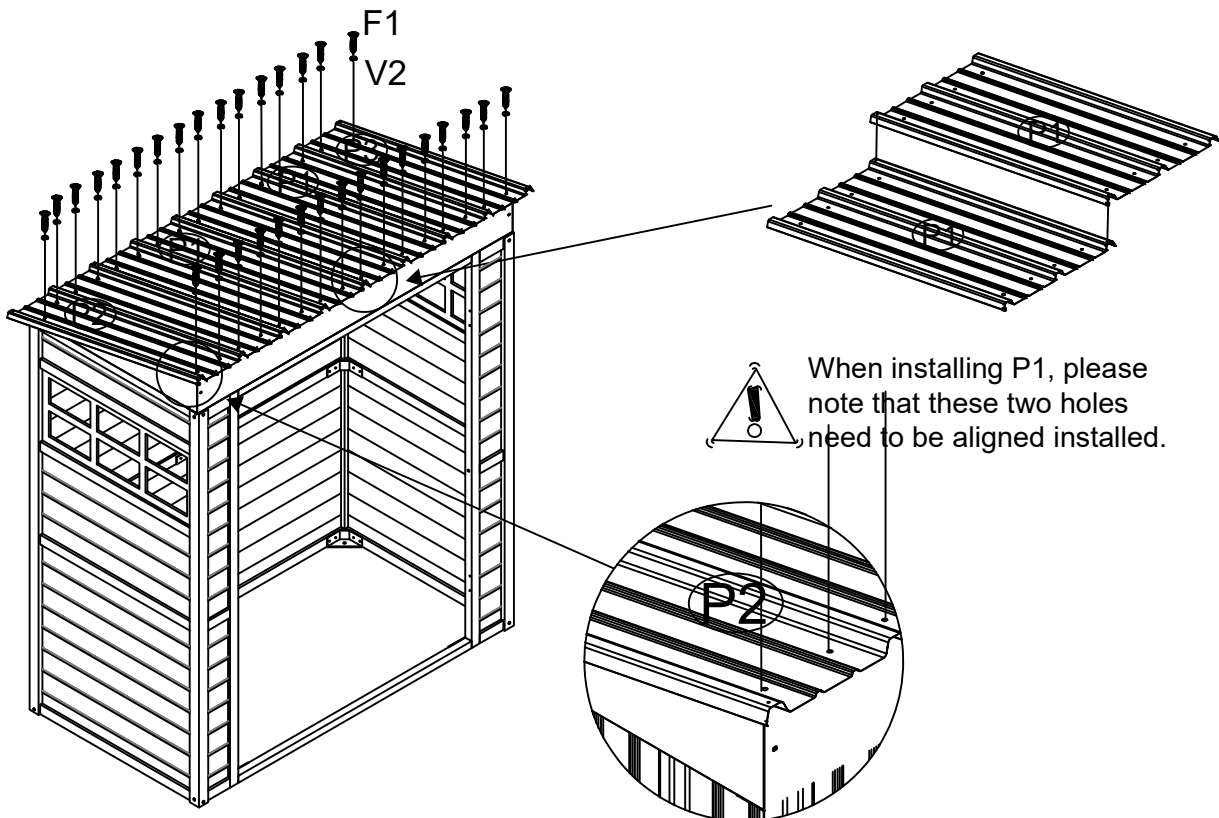
Step13



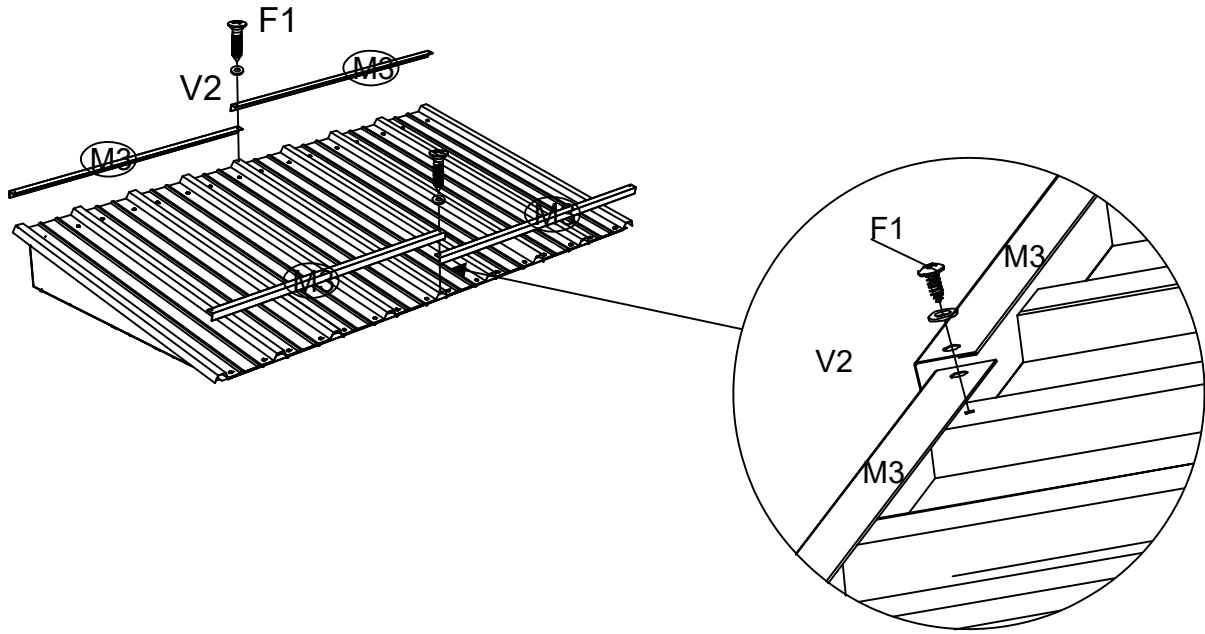
Step14



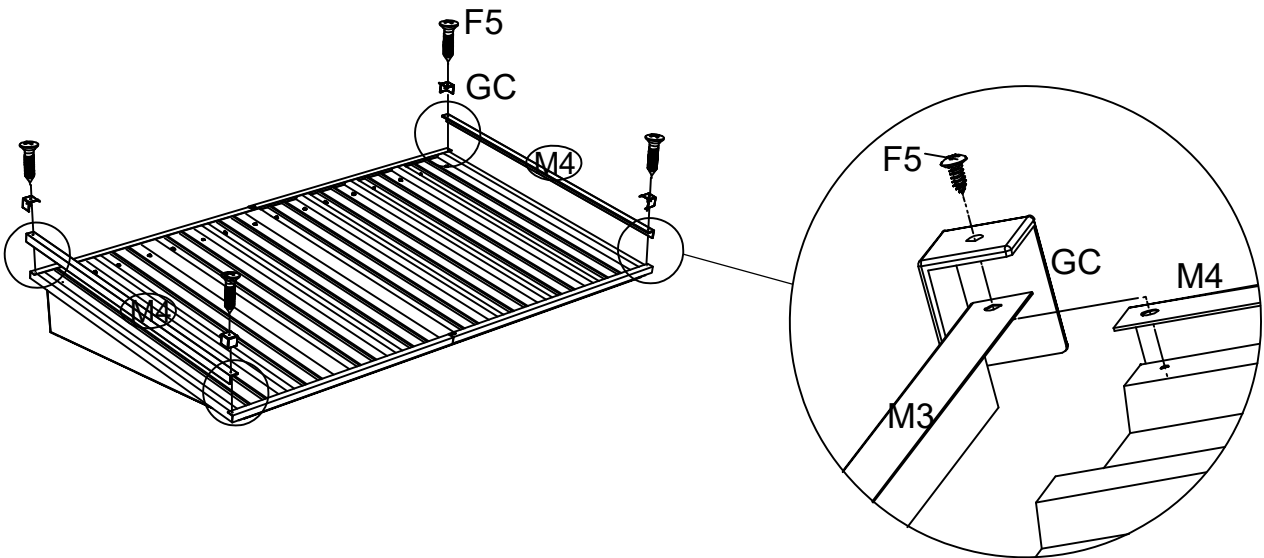
Step15



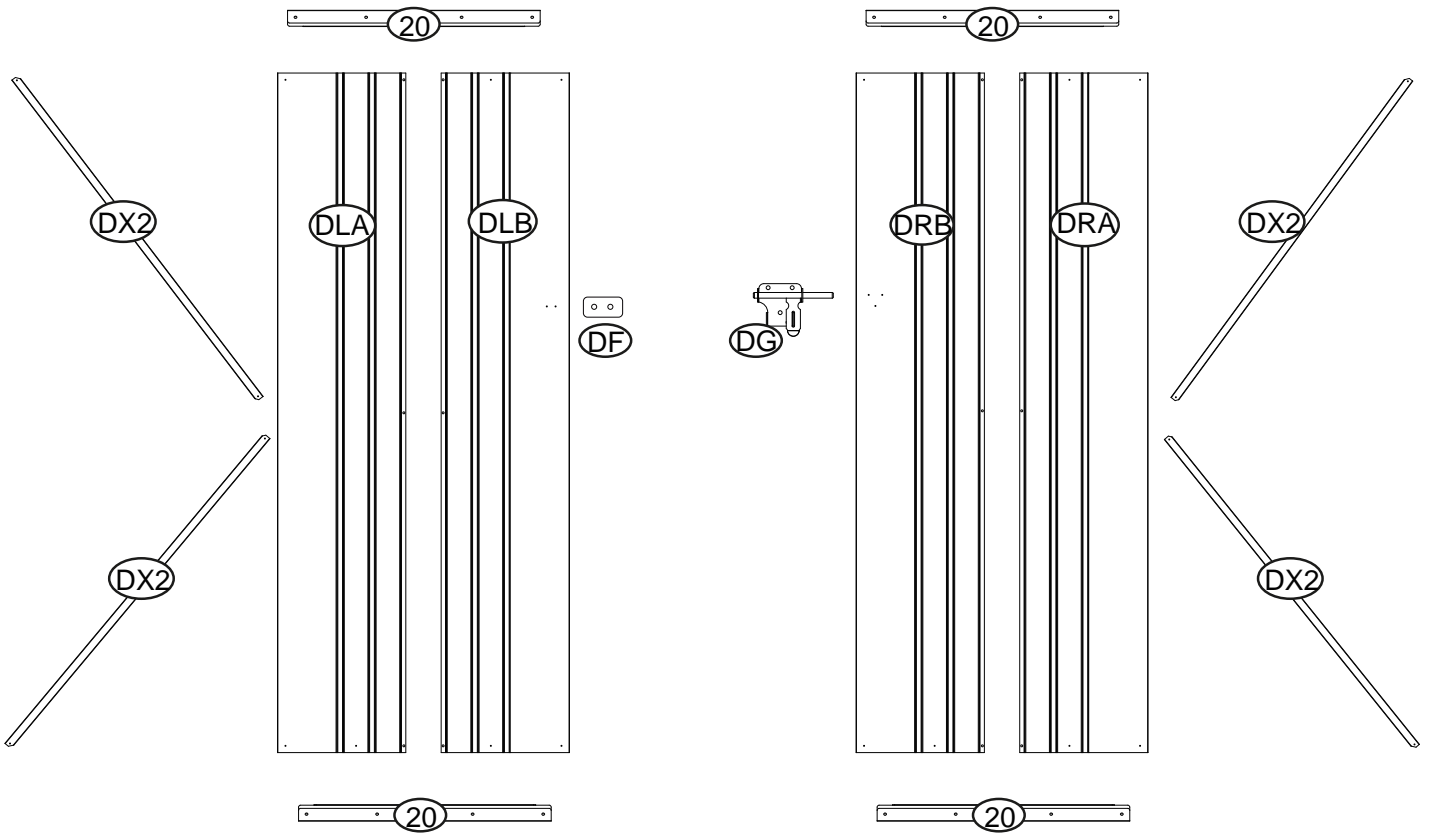
Step16



Step17

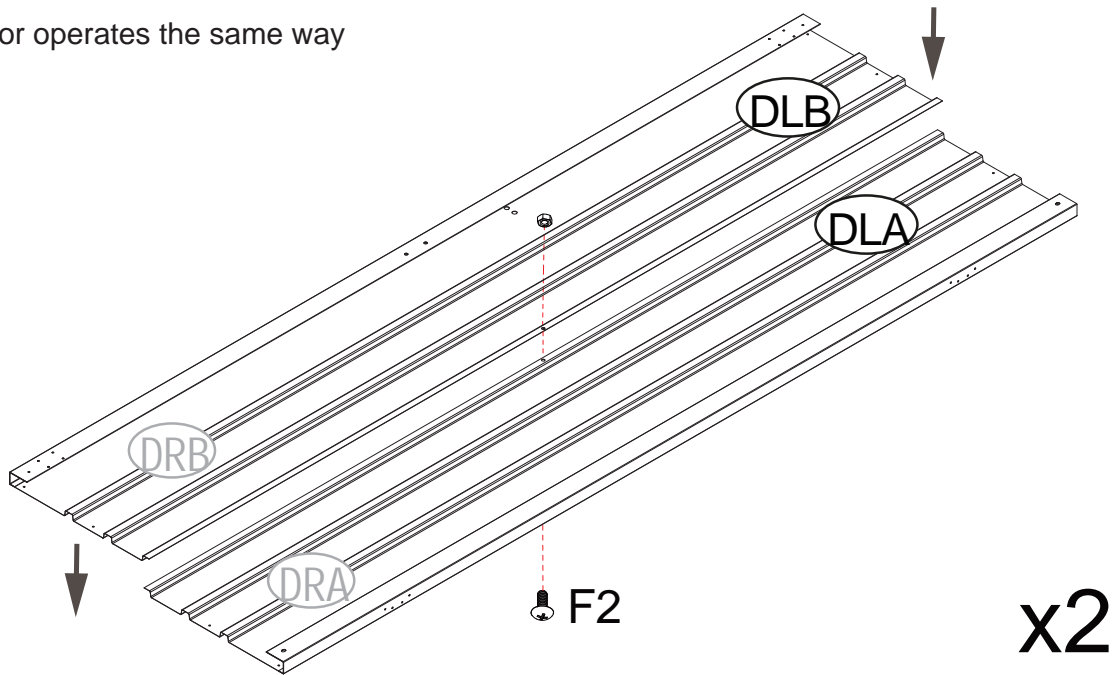


Step18

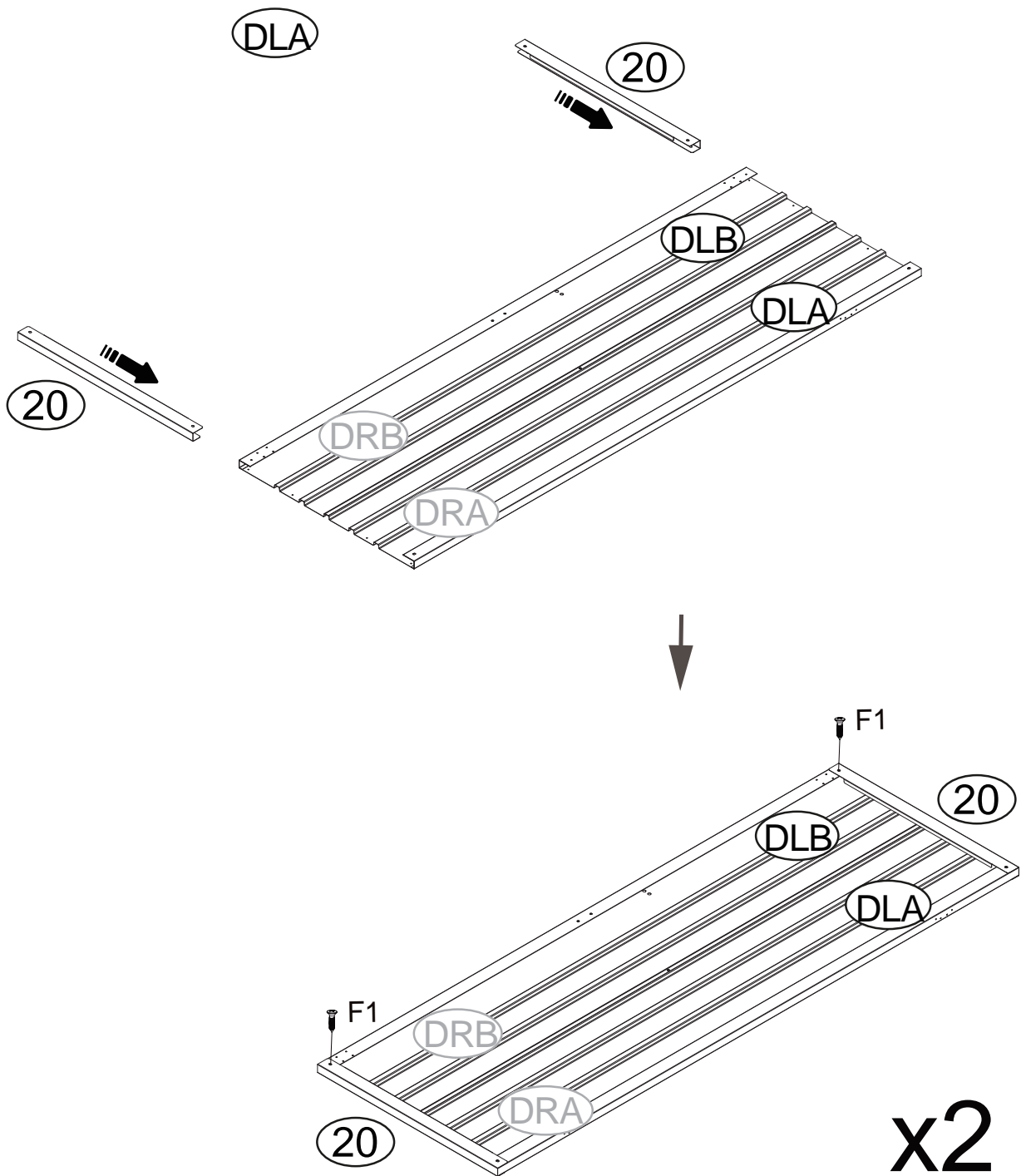


Step19

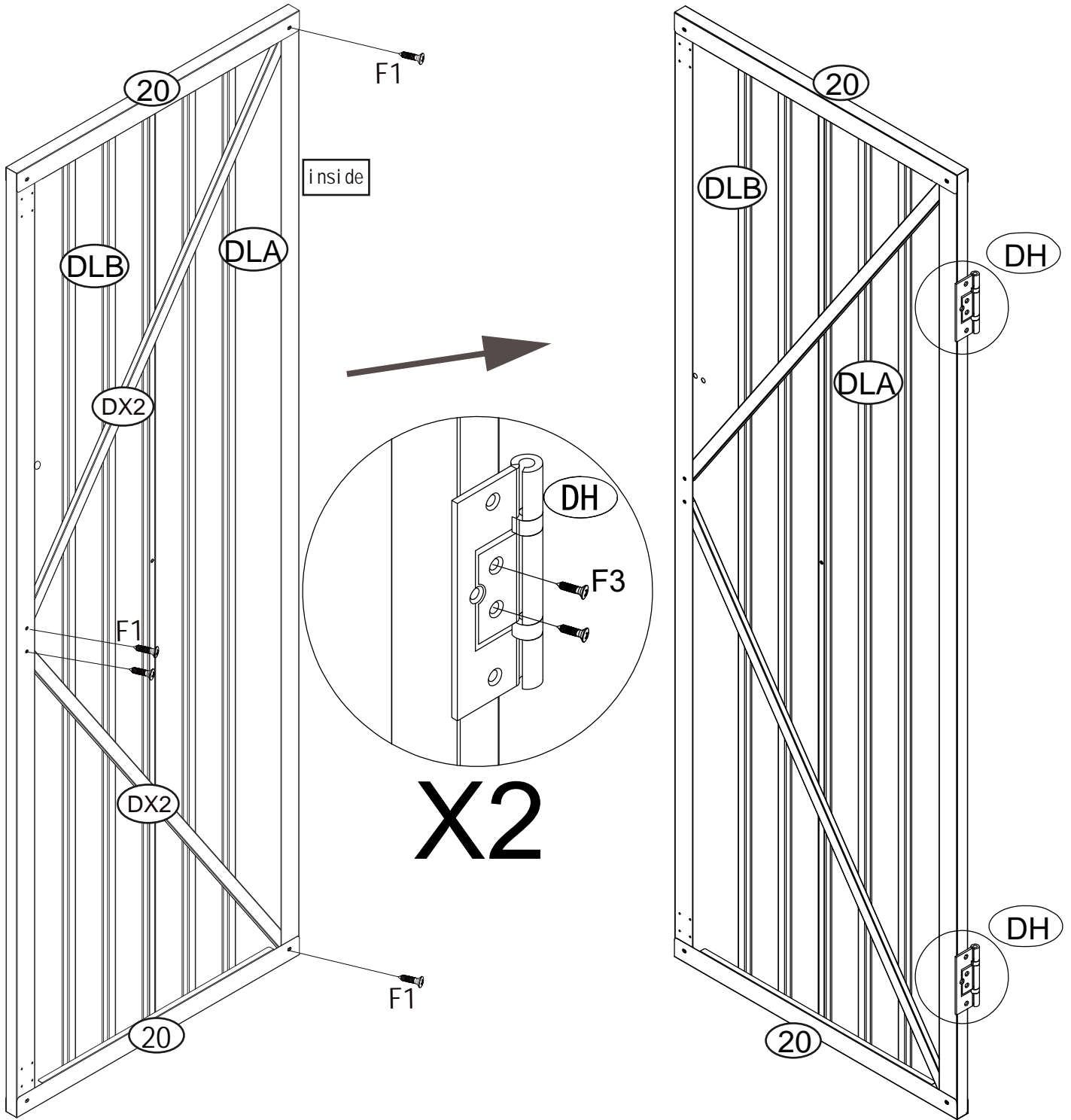
The other door operates the same way



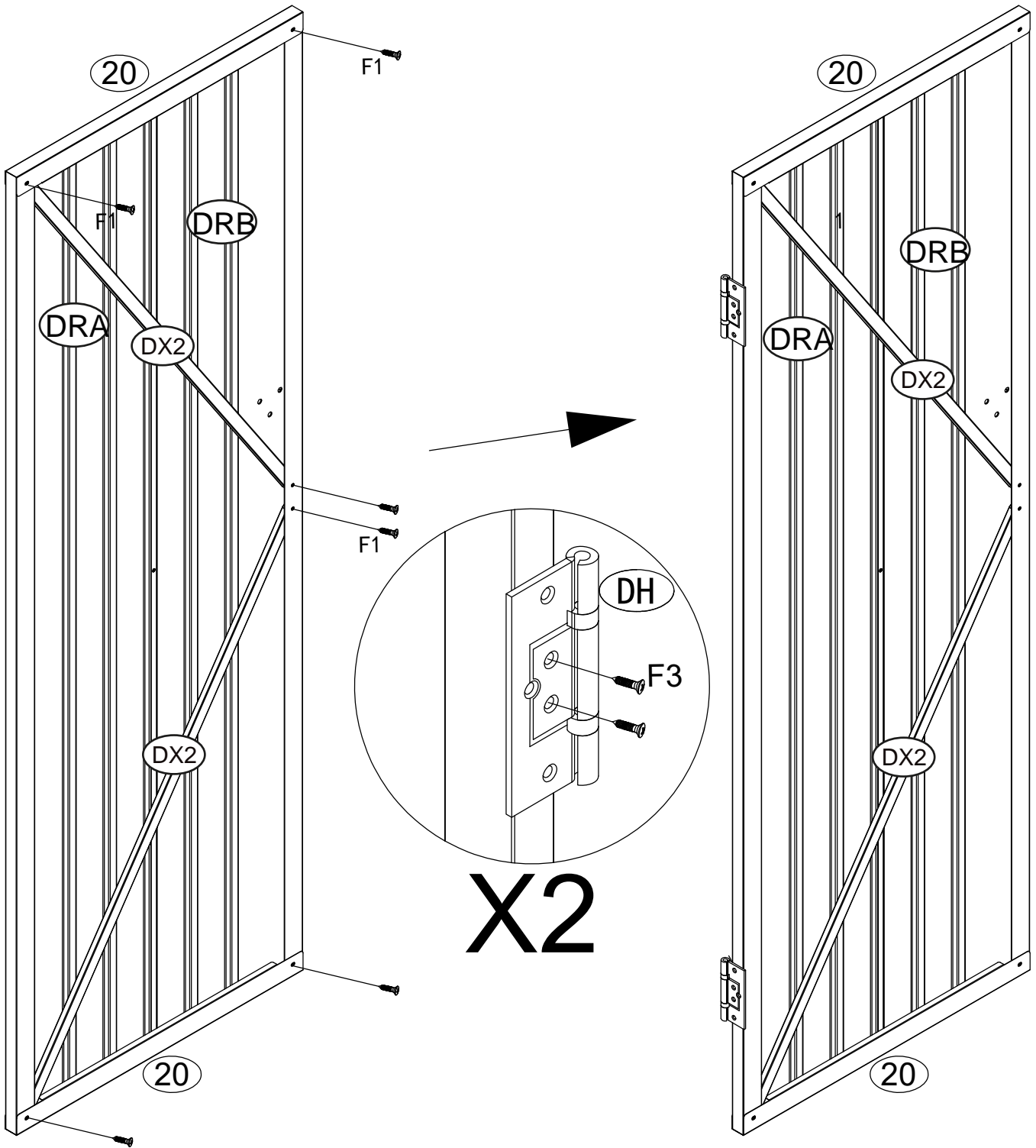
Step20



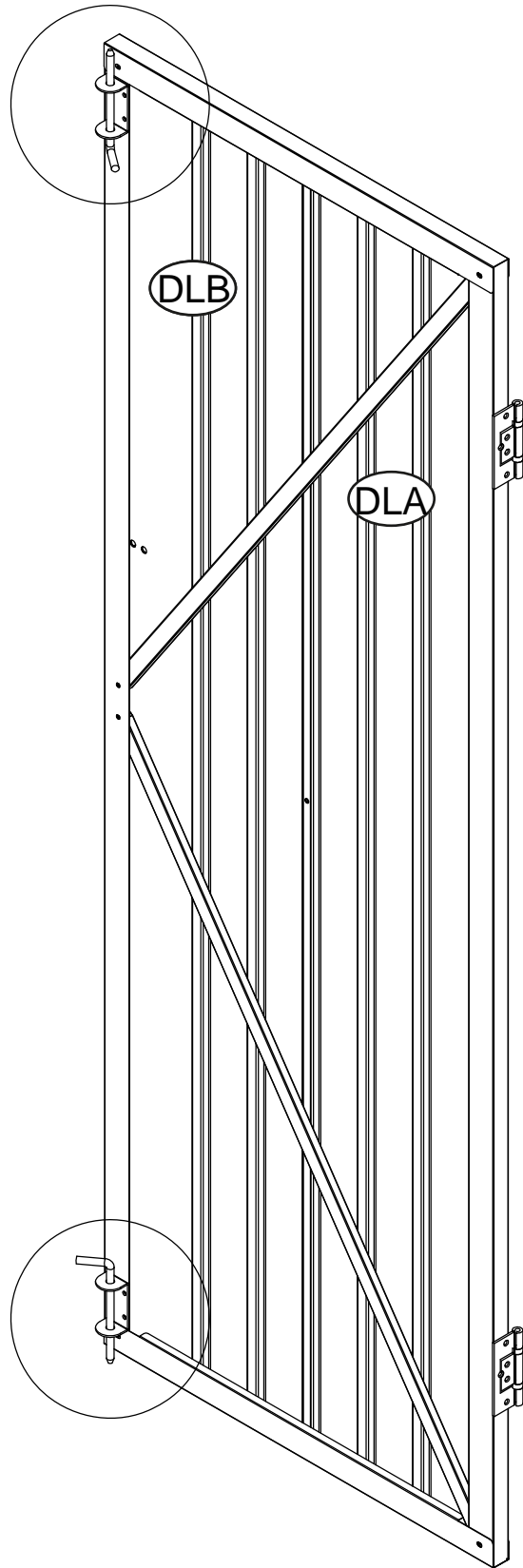
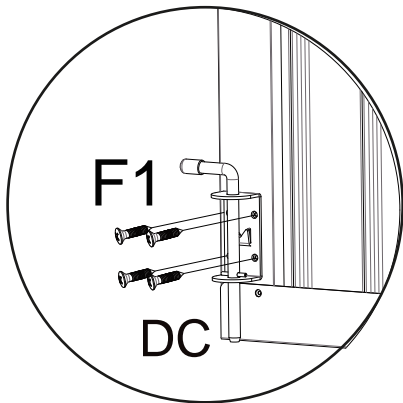
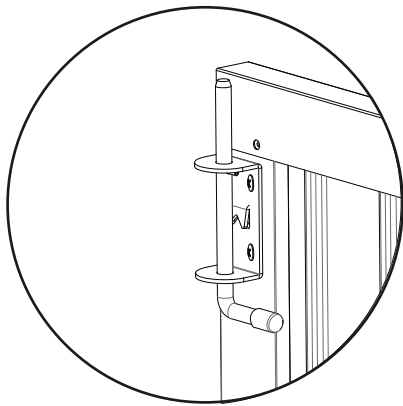
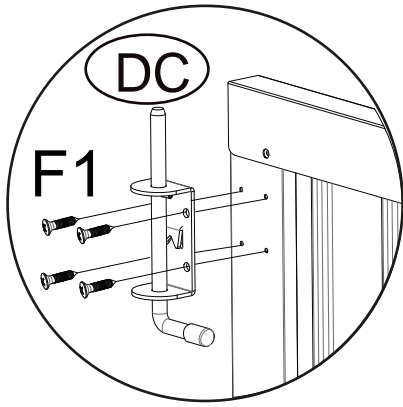
The other door operates the same way



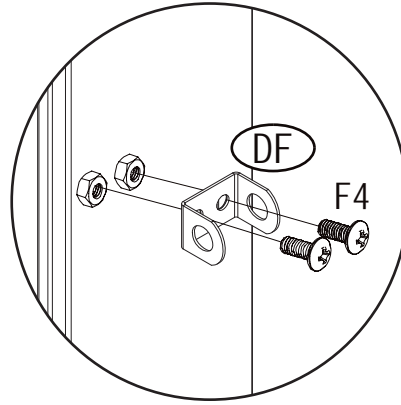
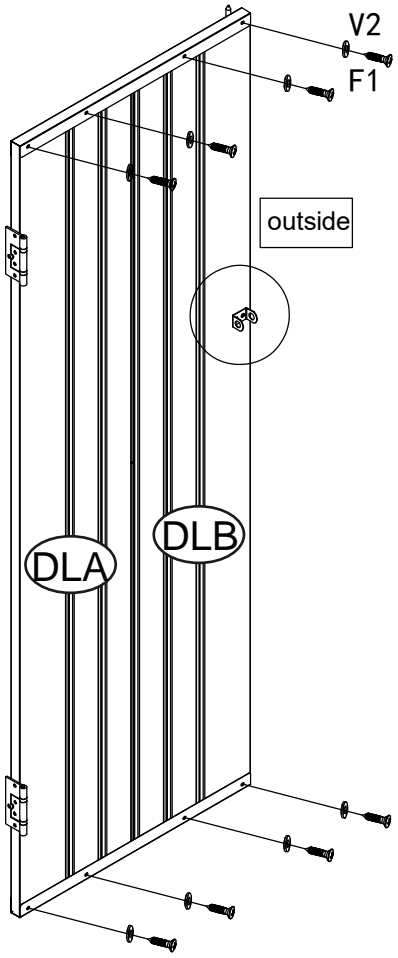
Step22



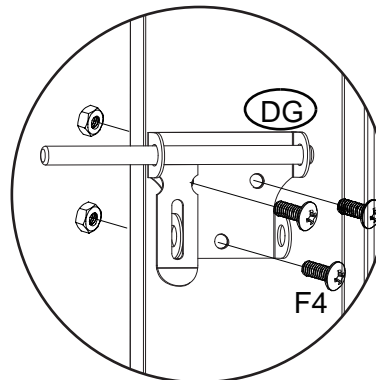
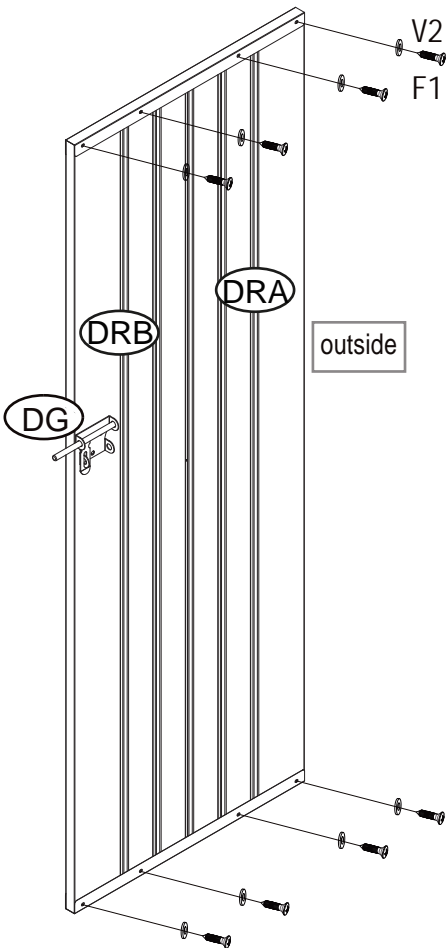
Step23



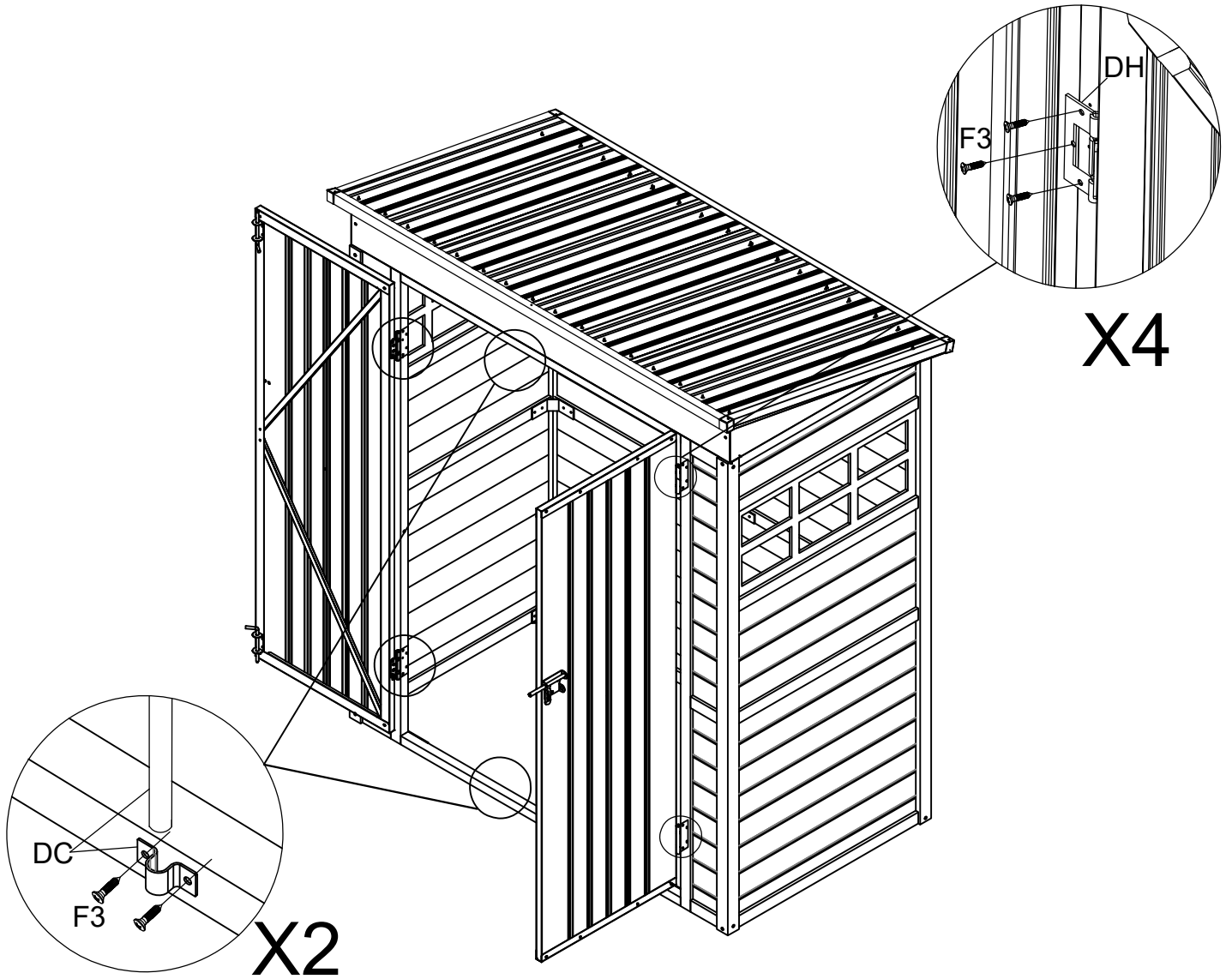
Step24



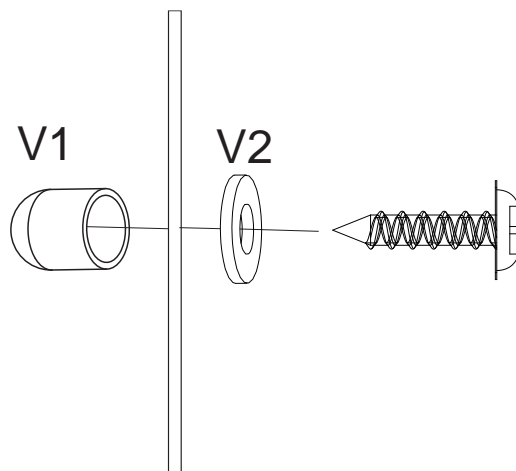
Step25



Step26



Step27



Put it on the screw tip to prevent injury.